

SINGER
211U UTT

ILLUSTRATED PARTSLIST

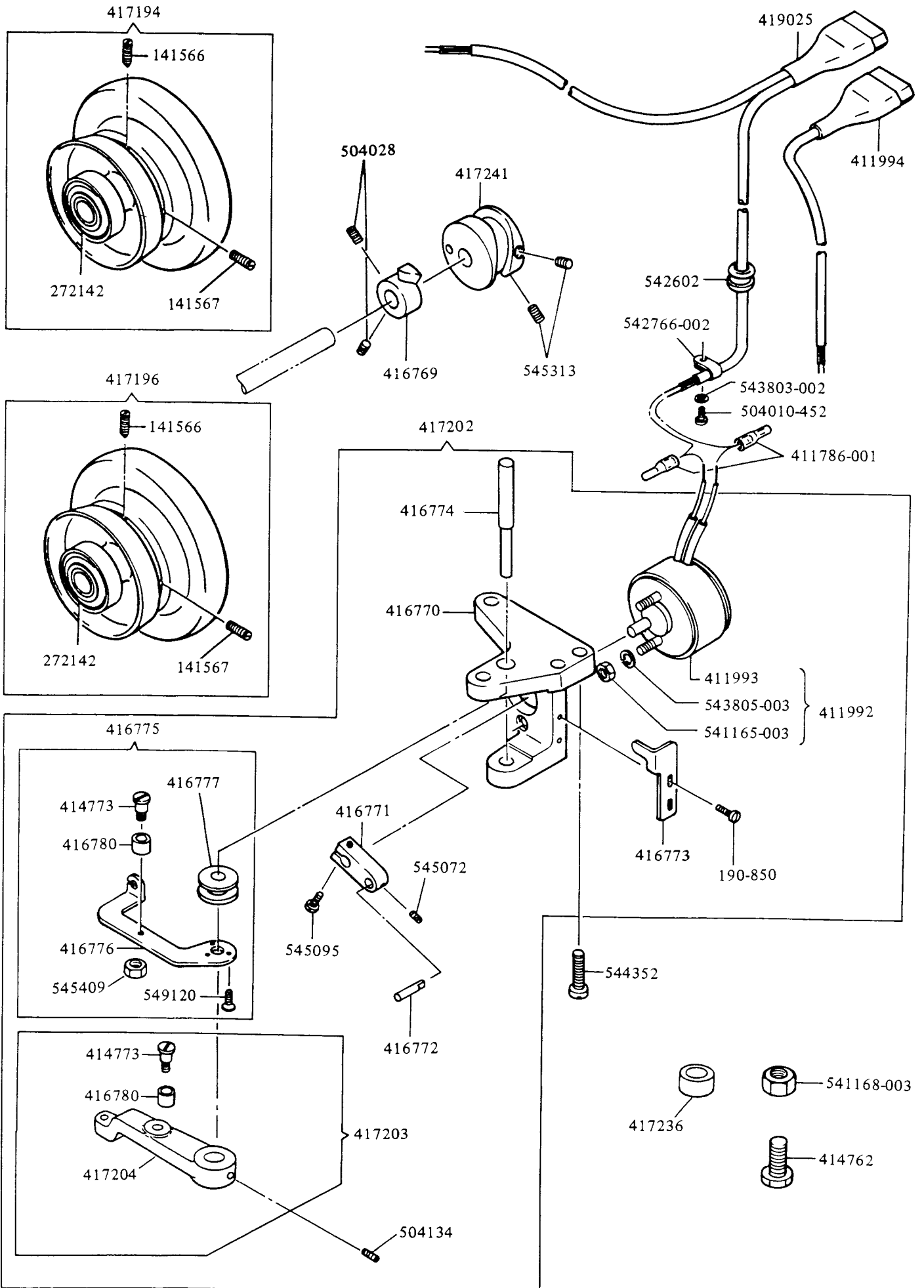
FOR

SINGER*

UNDER BED THREAD
TRIMMER

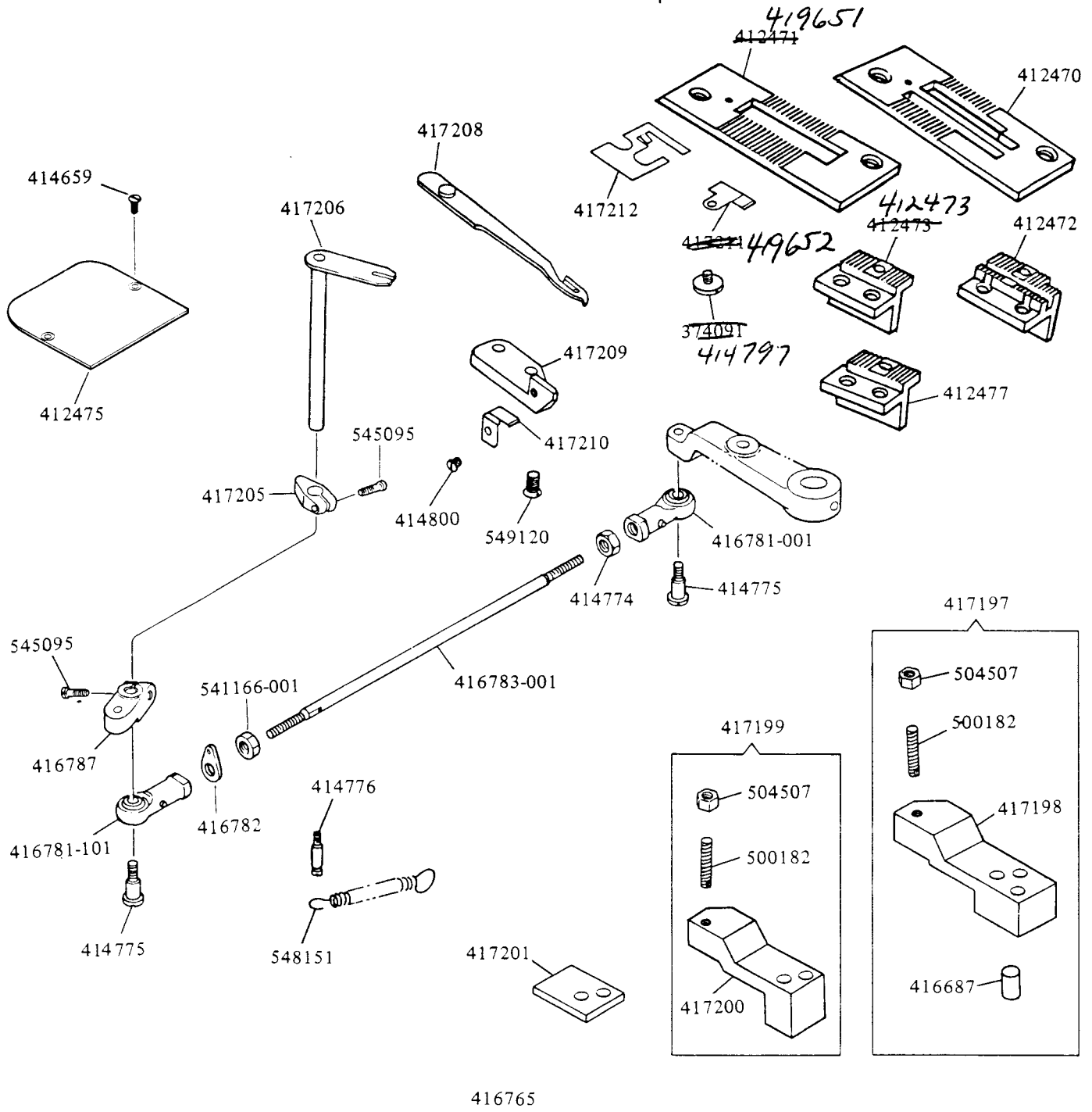
FOR 211U157JA
165JA
166JA
566JA
567JB

157KA
166KA
566KA
567KB

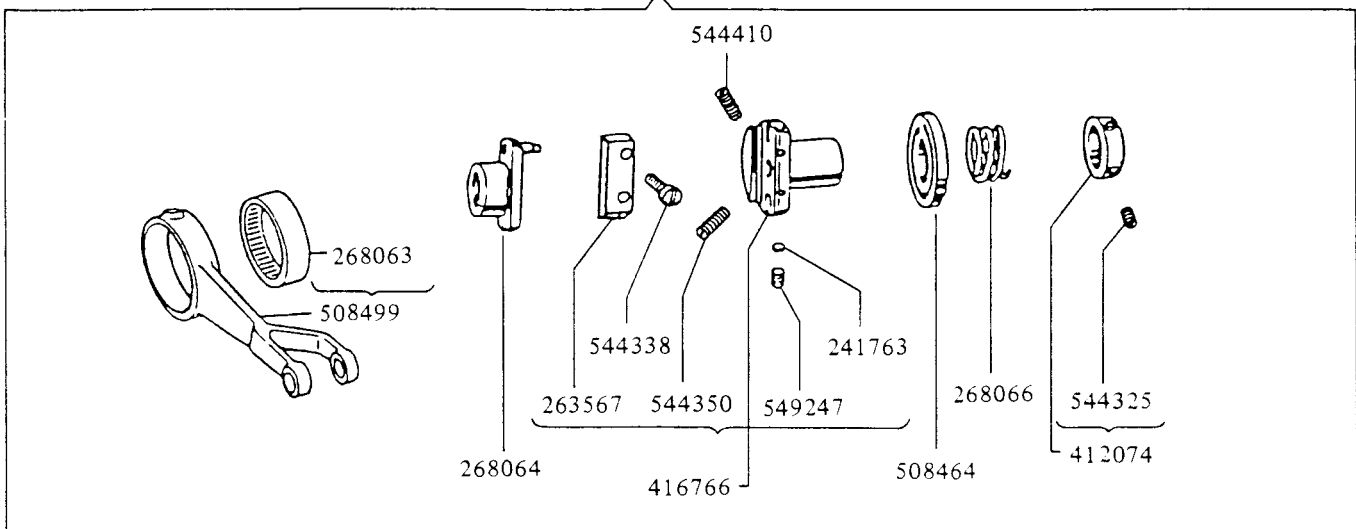


No.										Description
	211U157 JA	211U165 JA	211U166 JA	211U566 JA	211U567 JB	211U157 KA	211U166 KA	211U566 KA	211U567 KB	
190-850	*	*	*	*	*	*	*	*	*	Trimmer Solenoid Arm Stopper Screw (2)
141566	*	*	*	*	*	*	*	*	*	Machine Pulley Position Screw
141567	*	*	*	*	*	*	*	*	*	Machine Pulley Set Screw
272142	*	*	*	*	*	*	*	*	*	Arm Shaft Ball Bearing (Back)
411786-001	*	*	*	*	*	*	*	*	*	Trimmer Solenoid Cord Terminal (2)
411992	*	*	*	*	*	*	*	*	*	Trimmer Solenoid Complete 411993, 541165-003 (2), 543805-003 (2)
411993	*	*	*	*	*	*	*	*	*	Trimmer Solenoid
411994	*	*	*	*	*	-	-	-	-	Trimmer Solenoid Cord Complete
414762	*	*	*	*	*	*	*	*	*	Bed Extension Bolt (3)
414773	*	*	*	*	*	*	*	*	*	Trimmer Cam Roller Screw
414773	*	*	*	*	*	*	*	*	*	Tension Releasing Cam Roller Screw
416769	*	*	*	*	*	*	*	*	*	Tension Releasing Cam
416770	*	*	*	*	*	*	*	*	*	Trimmer Solenoid Bracket
416771	*	*	*	*	*	*	*	*	*	Trimmer Solenoid Arm
416772	*	*	*	*	*	*	*	*	*	Trimmer Solenoid Arm Pin
416773	*	*	*	*	*	*	*	*	*	Trimmer Solenoid Arm Stopper
416774	*	*	*	*	*	*	*	*	*	Trimmer Lever Shaft
416775	*	*	*	*	*	*	*	*	*	Tension Release Drive Lever Complete 414773, 416776, 416777 416780, 545409, 549120 (3)
416776	*	*	*	*	*	*	*	*	*	Tension Release Drive Lever
416777	*	*	*	*	*	*	*	*	*	Tension Release Drive Leber Boss
416780	*	*	*	*	*	*	*	*	*	Trimmer Cam Roller
416780	*	*	*	*	*	*	*	*	*	Tension Releasing Cam Roller
417194	*	-	-	-	-	*	-	-	-	Machine Pulley (for UTT) with 141566, 141567, 272142
417196	-	*	*	*	*	-	*	*	*	Machine Pulley (for UTT) with 141566, 141567, 272142
417202	*	*	*	*	*	*	*	*	*	Trimmer Solenoid Bracket Complete 190-850 (2), 411992, 416770, 416771, 416772, 416773, 416774, 416775, 417203, 504134, 545072, 545095
417203	*	*	*	*	*	*	*	*	*	Trimmer Lever Complete 414773, 416780, 417204
417204	*	*	*	*	*	*	*	*	*	Trimmer Lever
417236	*	*	*	*	*	*	*	*	*	Bed Extension Bolt Spacer
417241	*	*	*	*	*	*	*	*	*	Trimmer Cam
419025	-	-	-	-	-	*	*	*	*	Trimmer, Back Tack Solenoid Cord Complete
504010-452	*	*	*	*	*	*	*	*	*	Trimmer Solenoid Cord Clip Screw
504028	*	*	*	*	*	*	*	*	*	Tension Releasing Cam Set Screw (2)
504134	*	*	*	*	*	*	*	*	*	Trimmer Lever Set Screw
541165-003	*	*	*	*	*	*	*	*	*	Trimmer Solenoid Nut (2)
541168-003	*	*	*	*	*	*	*	*	*	Bed Extension Bolt Lock Nut (2)
542602	*	*	*	*	*	*	*	*	*	Trimmer Solenoid Cord Bushing
542766-002	*	*	*	*	*	*	*	*	*	Trimmer Solenoid Cord Clip
543803-002	*	*	*	*	*	*	*	*	*	Trimmer Solenoid Cord Clip Washer
543805-003	*	*	*	*	*	*	*	*	*	Trimmer Solenoid Washer (2)
544352	*	*	*	*	*	*	*	*	*	Trimmer Solenoid Bracket Screw (3)
545072	*	*	*	*	*	*	*	*	*	Trimmer Solenoid Arm Pin Screw
545095	*	*	*	*	*	*	*	*	*	Trimmer Solenoid Arm Screw
545313	*	*	*	*	*	*	*	*	*	Trimmer Cam Set Screw (2)
545409	*	*	*	*	*	*	*	*	*	Tension Releasing Cam Roller Screw Lock Nut
549120	*	*	*	*	*	*	*	*	*	Tension Release Drive Lever Boss Screw (3)

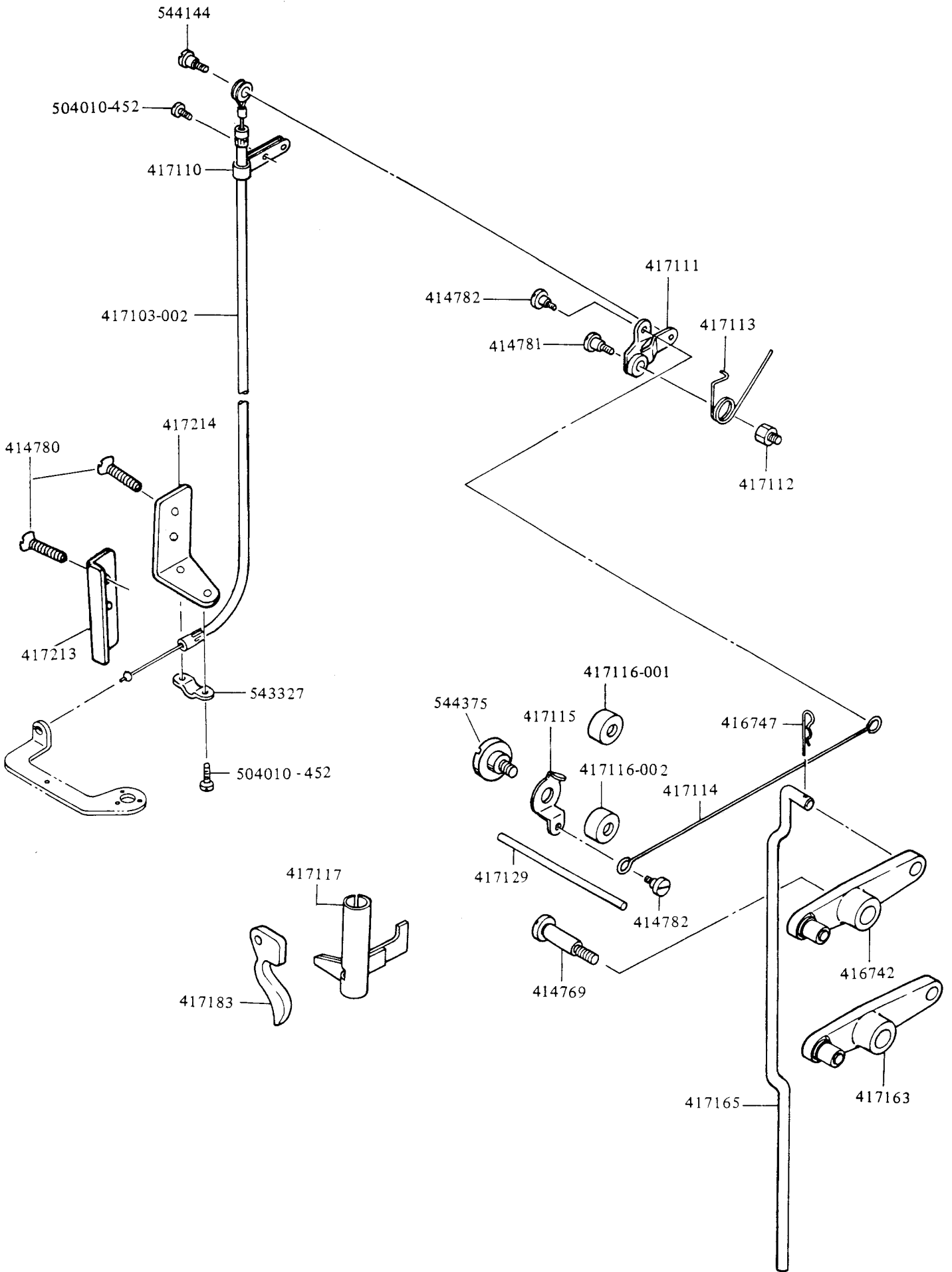
STATIONARY KNIFE
SCREW
414541



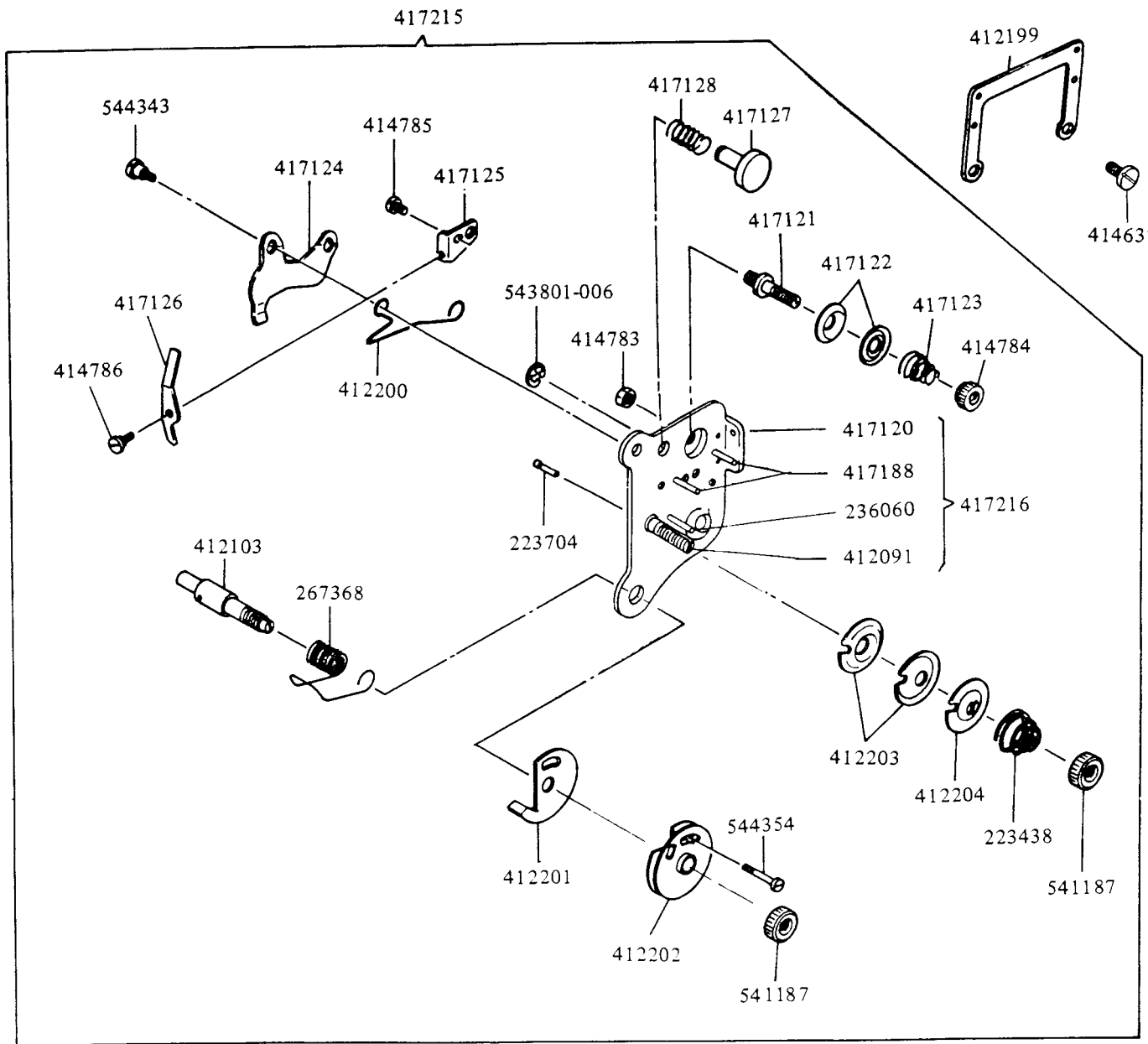
416765



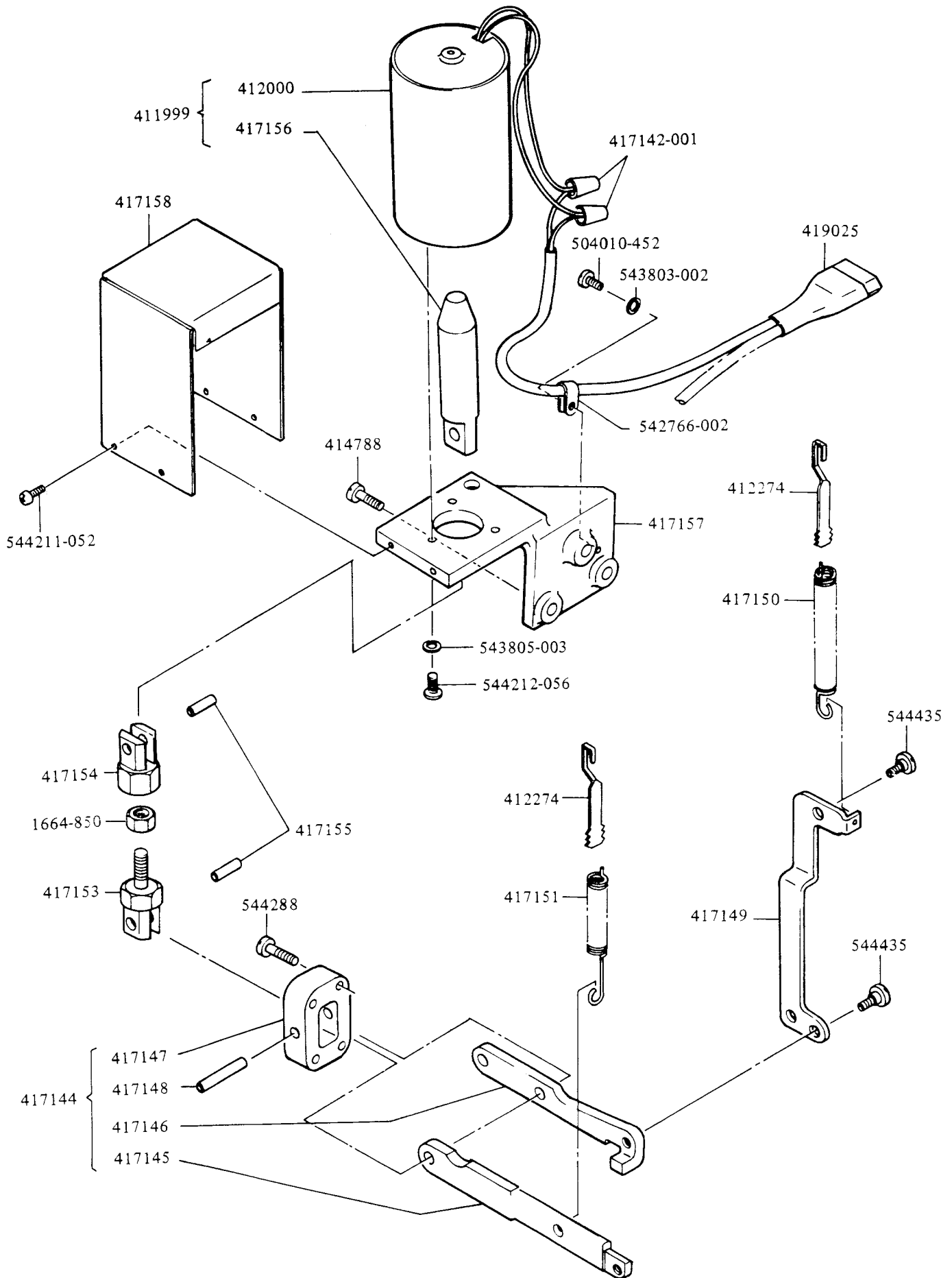
No.						Description				
	211U157 JA	211U165 JA	211U166 JA	211U566 JA	211U567 JB	211U157 KA	211U166 KA	211U566 KA	211U567 KB	
241763	*	*	*	*	*	*	*	*	*	Feed Driving Eccentric Friction Plate Screw Set Screw Packing (2)
263567	*	*	*	*	*	*	*	*	*	Feed Driving Eccentric Friction Plate
268063	*	*	*	*	*	*	*	*	*	Feed Driving Eccentric Connection Needle Bearing
268064	*	*	*	*	*	*	*	*	*	Feed Driving Eccentric
268066	*	*	*	*	*	*	*	*	*	Feed Driving Eccentric Adjusting Disc Spring
374091	*	*	*	*	*	*	*	*	*	Stationary Knife Adjust Plate Screw
412074	-	-	*	*	*	-	*	*	*	Feed Driving Eccentric Adjusting Disc Spring Collar with 544325 (2)
412470	*	-	-	-	-	*	-	-	-	Throat Plate (for UTT)
412471	-	*	*	*	*	-	*	*	*	Throat Plate (for UTT)
412472	*	-	-	-	-	*	-	-	-	Feed Dog (for UTT)
412473	-	*	*	*	*	-	*	*	*	Feed Dog (for UTT)
412475	*	*	*	*	*	*	*	*	*	Picker Cover
412477	-	*	*	*	*	-	*	*	*	Feed Dog (for UTT) (Optional)
414659	*	*	*	*	*	*	*	*	*	Picker Cover Screw (2)
414774	*	*	*	*	*	*	*	*	*	Trimmer Rod End (Right) Nut
414775	*	*	*	*	*	*	*	*	*	Trimmer Rod End Screw (2)
414776	*	*	*	*	*	*	*	*	*	Picker Return Spring Stud
414800	*	*	*	*	*	*	*	*	*	Trapper Screw
416687	-	-	-	-	*	-	-	-	*	Stitch Position Stop Cushion
416765	-	-	*	*	*	-	*	*	*	Feed Drive Eccentric and Connection Complete (for UTT) 268064, 268066, 412074, 416766, 508464, 508499
416766	-	-	*	*	*	-	*	*	*	Feed Driving Flange with 241763 (2), 263567, 544338 (2), 544350, 544410, 549247 (2)
416781-001	*	*	*	*	*	*	*	*	*	Trimmer Rod End (Right)
416781-101	*	*	*	*	*	*	*	*	*	Trimmer Rod End (Left)
416782	*	*	*	*	*	*	*	*	*	Picker Return Spring Hook
416783-001	*	*	*	*	*	*	*	*	*	Trimmer Rod
416787	*	*	*	*	*	*	*	*	*	Picker Drive Arm
417197	-	-	-	-	*	-	-	-	*	Stitch Position Stop Complete (for UTT) 416687, 417198, 500182, 504507
419198	-	-	-	-	*	-	-	-	*	Stitch Position Stop (for UTT)
417199	-	-	-	*	-	-	-	*	-	Stitch Position Stop Complete (for UTT) 417200, 500182, 504507
417200	-	-	-	*	-	-	-	*	-	Stitch Position Stop (for UTT)
417201	-	-	-	*	*	-	-	*	*	Stitch Position Spacer
417205	*	*	*	*	*	*	*	*	*	Picker Drive Shaft Stopper
417206	*	*	*	*	*	*	*	*	*	Picker Drive Shaft
417208	*	*	*	*	*	*	*	*	*	Picker
417209	*	*	*	*	*	*	*	*	*	Picker Support
417210	*	*	*	*	*	*	*	*	*	Trapper
417211	*	*	*	*	*	*	*	*	*	Stationary Knife
417212	*	*	*	*	*	*	*	*	*	Stationary Knife Adjust Plate
500182	-	*	*	*	*	-	*	*	*	Throat Plate (for UTT)
504507	-	-	-	*	*	-	-	*	*	Stitch Position Stop Screw
508464	-	-	-	*	*	-	-	*	*	Stitch Position Stop Screw Nut
508499	-	-	*	*	*	-	*	*	*	Feed Driving Eccentric Adjusting Disc.
541166-001	*	*	*	*	*	*	*	*	*	Feed Driving Eccentric Connection with 268063
544325	*	*	*	*	*	*	*	*	*	Trimmer Rod End (Left) Nut
544338	*	*	*	*	*	*	*	*	*	Feed Driving Eccentric Adjusting Disc Spring Collar Set Screw (2)
544350	*	*	*	*	*	*	*	*	*	Feed Driving Eccentric Friction Plate Screw (2)
544410	*	*	*	*	*	*	*	*	*	Feed Driving Flange Set Screw
545095	*	*	*	*	*	*	*	*	*	Feed Driving Flange Position Screw
545095	*	*	*	*	*	*	*	*	*	Picker Drive Arm Screw
548151	*	*	*	*	*	*	*	*	*	Picker Drive Shaft Stopper Screw
549120	*	*	*	*	*	*	*	*	*	Picker Return Spring
549247	*	*	*	*	*	*	*	*	*	Picker Support Set Screw (2)
	*	*	*	*	*	*	*	*	*	Feed Driving Eccentric Friction Plate Screw Set Screw (2)



No.	211U157 JA	211U165 JA	211U166 JA	211U566 JA	211U567 JB	211U157 KA	211U166 KA	211U566 KA	211U567 KB	Description
414769	*	*	*	*	*	*	*	*	*	Knee Lifter Connection Lever Hinge Screw
414780	*	*	*	*	*	*	*	*	*	Tension Releasing Wire Bracket Screw (2)
414780	*	*	*	*	*	*	*	*	*	Tension Release Drive Lever Stop Screw (2)
414781	*	*	*	*	*	*	*	*	*	Tension Releasing Bell Crank Screw
414782	*	*	*	*	*	*	*	*	*	Tension Releasing Rod Screw (2)
416742	-	*	*	*	*	-	*	*	*	Knee Lifter Connection Lever Complete
416747	*	*	*	*	*	*	*	*	*	Knee Lifter Connection Lever Lifting Rod Pin
417103-002	*	*	*	*	*	*	*	*	*	Tension Releasing Wire Complete
417110	*	*	*	*	*	*	*	*	*	Tension Releasing Wire Clamp (Upper)
417111	*	*	*	*	*	*	*	*	*	Tension Releasing Bell Crank Complete
417112	*	*	*	*	*	*	*	*	*	Tension Releasing Bell Crank Stud
417113	*	*	*	*	*	*	*	*	*	Tension Releasing Ring Return Spring
417114	*	*	*	*	*	*	*	*	*	Tension Releasing Rod
417115	*	*	*	*	*	*	*	*	*	Tension Releasing Ring
417116-001	*	-	-	-	-	*	-	-	-	Tension Releasing Ring Spacer
417116-002	-	*	*	*	*	-	*	*	*	Tension Releasing Ring Spacer
417117	*	-	-	-	-	*	-	-	-	Presser Bar Lifting Releasing Lever Bracket (for UTT)
417129	*	*	*	*	*	*	*	*	*	Tension Release Plate Rod (for UTT)
417163	*	-	-	-	-	*	-	-	-	Knee Lifter Connection Lever Complete
417165	*	*	*	*	*	*	*	*	*	Knee Lifter Connection Lever Lifting Rod (for UTT)
417183	*	-	-	-	-	*	-	-	-	Presser Bar Lifter (for UTT)
417213	*	*	*	*	*	*	*	*	*	Tension Release Drive Lever Stop
417214	*	*	*	*	*	*	*	*	*	Tension Releasing Wire Bracket
504010-452	*	*	*	*	*	*	*	*	*	Tension Releasing Wire Clamp (Upper) Screw (2)
504010-452	*	*	*	*	*	*	*	*	*	Tension Releasing Wire Clamp (Lower) Screw (2)
543327	*	*	*	*	*	*	*	*	*	Tension Releasing Wire Clamp (Lower)
544144	*	*	*	*	*	*	*	*	*	Tension Releasing Wire Shave Screw
544375	*	*	*	*	*	*	*	*	*	Presser Bar Lifting Releasing Lever Bracket Guide Screw

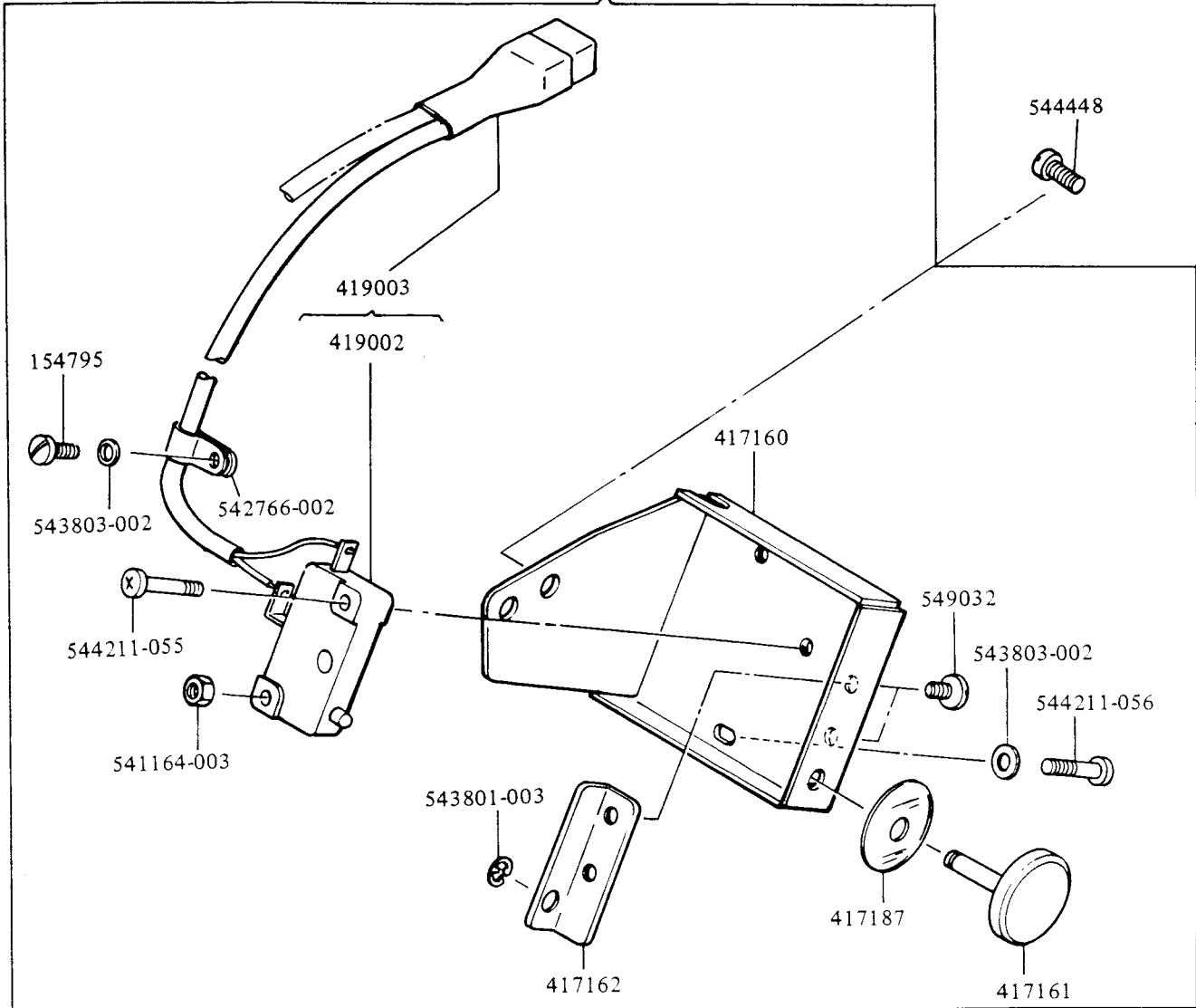


No.	211U157 JA 211U165 JA 211U166 JA 211U566 JA 211U567 JB	211U157 KA 211U166 KA 211U566 KA 211U567 KB	Description
223438	* * * * *	* * * *	Tension Spring
223704	* * * * *	* * * *	Tension Release Plunger
236060	* * * * *	* * * *	Tension Disc Position Pin
267368	* * * * *	* * * *	Thread Controller Spring
412091	* * * * *	* * * *	Tension Stud
412103	* * * * *	* * * *	Thread Controller Stud
412199	* * * * *	* * * *	Thread Guide
412200	* * * * *	* * * *	Tension Release Plate Spring
412201	* * * * *	* * * *	Thread Controller Spring Stop
412202	* * * * *	* * * *	Thread Controller Disc
412203	* * * * *	* * * *	Tension Disc (2)
412204	* * * * *	* * * *	Tension Release Washer
414632	* * * * *	* * * *	Thread Guide Screw
414783	* * * * *	* * * *	Pre-Tension Stud Lock Nut
414784	* * * * *	* * * *	Pre-Tension Thumb Nut
414785	* * * * *	* * * *	Tension Release Lever Bracket Screw
414786	* * * * *	* * * *	Tension Release Lever Screw
417120	* * * * *	* * * *	Tension Bracket Body
417121	* * * * *	* * * *	Pre-Tension Stud
417122	* * * * *	* * * *	Pre-Tension Disc (2)
417123	* * * * *	* * * *	Pre-Tension Spring
417124	* * * * *	* * * *	Tension Release Plate
417125	* * * * *	* * * *	Tension Release Lever Bracket
417126	* * * * *	* * * *	Tension Release Lever
417127	* * * * *	* * * *	Tension Release Button
417128	* * * * *	* * * *	Tension Release Button Spring
417188	* * * * *	* * * *	Thread Guide Pin (2)
417215	* * * * *	* * * *	Tension Bracket Complete (for UTT)
417216	* * * * *	* * * *	Tension Bracket Body Complete 236060, 412091, 414120, 417188 (2)
541187	* * * * *	* * * *	Tension Thumb Nut (2)
543801-006	* * * * *	* * * *	Tension Release Button Retaining Ring
544343	* * * * *	* * * *	Tension Release Plate Screw (2)
544354	* * * * *	* * * *	Thread Controller Disc Screw



No.	211U157 JA					211U157 KA				Description
	211U165 JA	211U166 JA	211U566 JA	211U567 JB	211U166 KA	211U566 KA	211U567 KB			
1664-850	-	-	-	-	-	*	*	*	*	Back Tack Solenoid Adapter Nut
411999	-	-	-	-	-	*	*	*	*	Back Tack Solenoid Complete 412000, 417156
412000	-	-	-	-	-	*	*	*	*	Back Tack Solenoid
412274	*	*	*	*	*	*	*	*	*	Feed Reversing Lever Spring Hook (2)
414788	-	-	-	-	-	*	*	*	*	Back Tack Solenoid Bracket Screw (3)
417142-001	-	-	-	-	-	*	*	*	*	Back Tack Solenoid Wire Connector (2)
417144	-	-	-	-	-	*	*	*	*	Feed Reversing Lever Complete (for UTT) 417145, 417146, 417147, 417148
417145	-	-	-	-	-	*	*	*	*	Feed Reversing Lever (for UTT)
417146	-	-	-	-	-	*	*	*	*	Feed Reversing Attachment Lever
417147	-	-	-	-	-	*	*	*	*	Feed Reversing Lever Bracket (for UTT)
417148	-	-	-	-	-	*	*	*	*	Feed Reversing Lever Hinge Pin (for UTT)
417149	-	-	-	-	-	*	*	*	*	Feed Reversing Lever Link (for UTT)
417150	-	-	-	-	-	*	*	*	*	Feed Reversing Link Spring
417151	-	-	-	-	-	*	*	*	*	Feed Reversing Lever Spring (for UTT)
417153	-	-	-	-	-	*	*	*	*	Back Tack Solenoid Adapter (Lower)
417154	-	-	-	-	-	*	*	*	*	Back Tack Solenoid Adapter (Upper)
417155	-	-	-	-	-	*	*	*	*	Back Tack Solenoid Adapter Pin (2)
417156	-	-	-	-	-	*	*	*	*	Back Tack Solenoid Plunger
417157	-	-	-	-	-	*	*	*	*	Back Tack Solenoid Bracket
417158	-	-	-	-	-	*	*	*	*	Back Tack Solenoid Cover
419025	-	-	-	-	-	*	*	*	*	Trimmer, Back Tack Solenoid Cord Complete
504010-452	-	-	-	-	-	*	*	*	*	Back Tack Solenoid Cord Clip Screw
542766-002	-	-	-	-	-	*	*	*	*	Back Tack Solenoid Cord Clip
543803-002	-	-	-	-	-	*	*	*	*	Back Tack Solenoid Cord Clip Washer
543805-003	-	-	-	-	-	*	*	*	*	Back Tack Solenoid Washer (3)
544211-052	-	-	-	-	-	*	*	*	*	Back Tack Solenoid Cover Screw (4)
544212-056	-	-	-	-	-	*	*	*	*	Back Tack Solenoid Screw (3)
544288	*	*	*	*	*	*	*	*	*	Feed Reversing Lever Bracket Screw (4)
544435	*	*	*	*	*	*	*	*	*	Feed Reversing Lever Hinge Screw (2)

417159 ³²⁴ 47.67 DL



504010-452 — [screw]

543803-002 — [washer]



542766-002

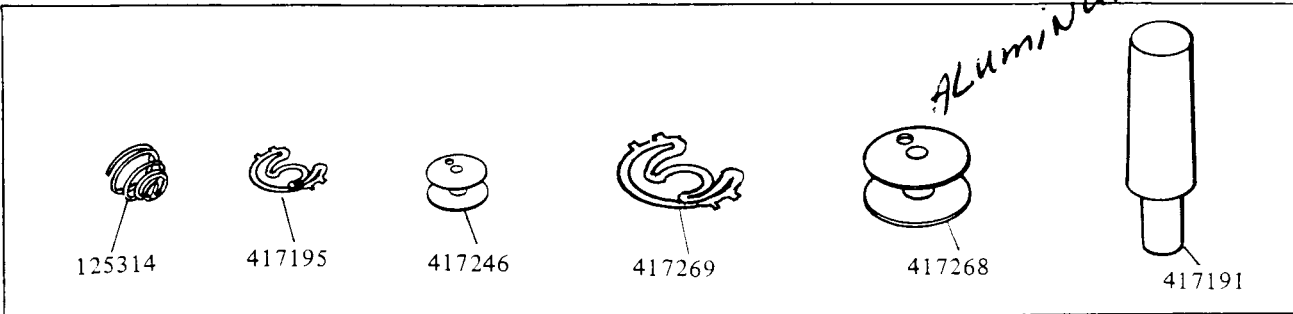


542766-005



540899

ACCESSORIES



125314 — [spring]

417195 — [hook]

417246 — [washer]

417269 — [hook]

417268 — [washer]

417191 — [rod]

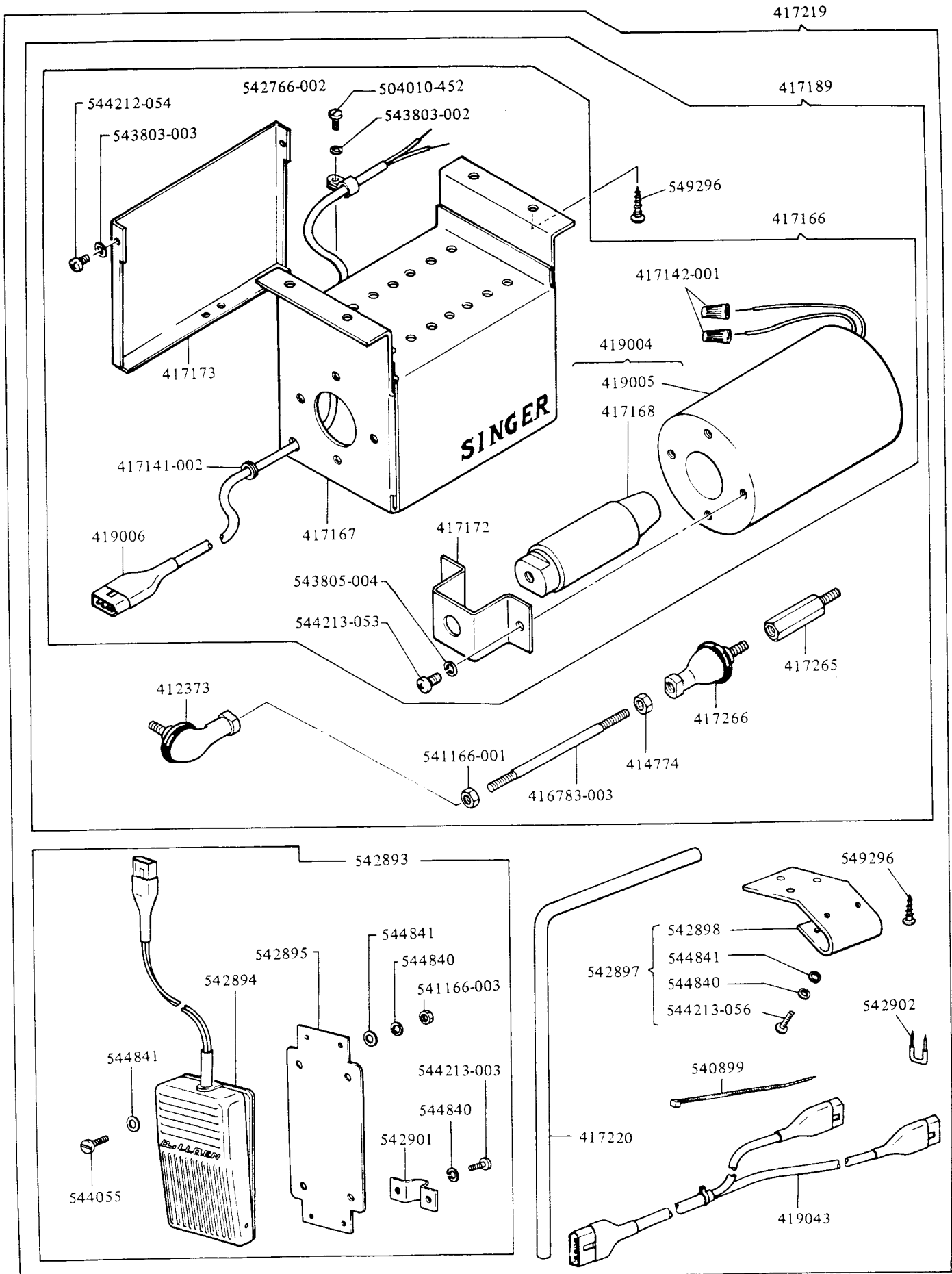
Aluminum

No.	211U157 JA	211U165 JA	211U166 JA	211U566 JA	211U567 JB	212H	211U157 KA	211U166 KA	211U566 KA	211U567 KB	Description
154795	-	-	-	-	-	*	*	*	*	*	Back Tack Switch Cord Clip Screw
417159	-	-	-	-	-	*	*	*	*	*	Back Tack Switch Box Complete 417160, 417161, 417162, 417187, 419026, 541164-003, 542766-002, 543801-003, 543803-002 (2) 544211-055, 544211-056, 549032
417160	-	-	-	-	-	*	*	*	*	*	Back Tack Switch Box
417161	-	-	-	-	-	*	*	*	*	*	Back Tack Switch Push Rod Complete
417162	-	-	-	-	-	*	*	*	*	*	Back Tack Switch Push Rod Guide
417187	-	-	-	-	-	*	*	*	*	*	Back Tack Switch Push Rod Cushion
419002	-	-	-	-	-	*	*	*	*	*	Back Tack Switch Complete
419026	-	-	-	-	-	*	*	*	*	*	Wiper Solenoid, Back Tack Switch Cord Complete
504010-452	*	*	*	*	*	*	*	*	*	*	Cord Clip (Rear) Screw (2)
540899	*	*	*	*	*	*	*	*	*	*	Cord Retainer (Rear)
541164-003	-	-	-	-	-	*	*	*	*	*	Back Tack Switch Screw Lock Nut
542766-002	-	-	-	-	-	*	*	*	*	*	Back Tack Switch Cord Clip
542766-002	*	*	*	*	*	*	*	*	*	*	Cord Clip (Rear) Small
542766-005	-	-	-	-	-	*	*	*	*	*	Cord Clip (Rear) Medium
543801-003	-	-	-	-	-	*	*	*	*	*	Back Tack Switch Push Rod Retaining Ring
543803-002	-	-	-	-	-	*	*	*	*	*	Back Tack Switch Washer
543803-002	-	-	-	-	-	*	*	*	*	*	Back Tack Switch Cord Clip Washer
543803-002	-	-	-	-	-	*	*	*	*	*	Cord Clip (Rear) Washer (2)
544211-055	-	-	-	-	-	*	*	*	*	*	Back Tack Switch Screw (Short)
544211-056	-	-	-	-	-	*	*	*	*	*	Back Tack Switch Screw (Long)
544448	-	-	-	-	-	*	*	*	*	*	Back Tack Switch Box Complete Screw (2)
549032	-	-	-	-	-	*	*	*	*	*	Back Tack Switch Push Rod Guide Screw (2)

ACCESSORIES

No.	211U157 JA	211U165 JA	211U166 JA	211U566 JA	211U567 JB	211U157 KA	211U166 KA	211U566 KA	211U567 KB	Description
125314	*	*	*	*	*	*	*	*	*	Tension Spring
417191	-	-	-	-	-	*	*	*	*	Machine Rest Pin (for UTT)
417195	*	*	*	-	-	*	*	-	-	Anti Spill Spring
417246	*	*	*	-	-	*	*	-	-	Bobbin (2)
417268	-	-	-	*	*	-	-	*	*	Bobbin (2)
417269	-	-	-	*	*	-	-	*	*	Anti Spill Spring

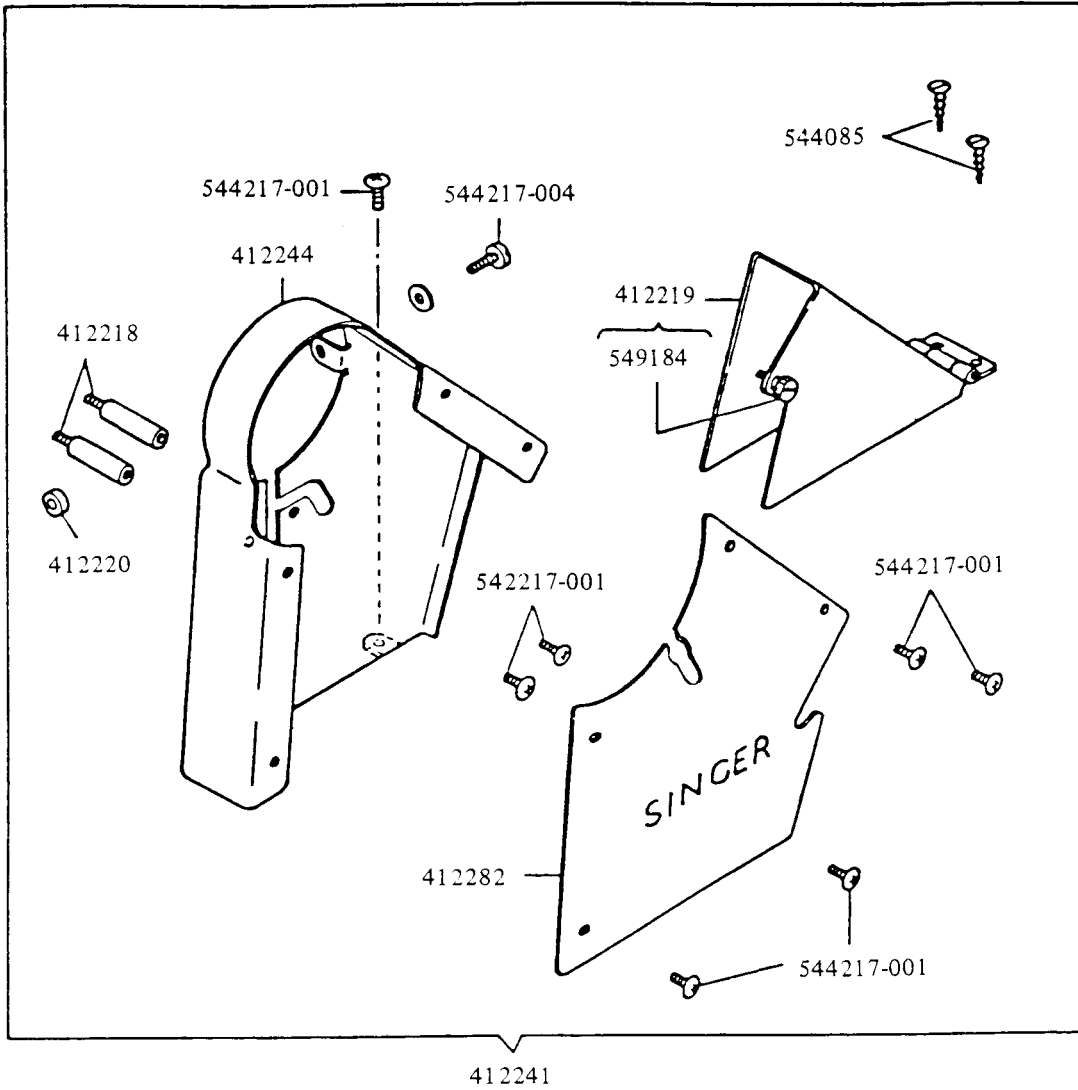
OPTIONAL PARTS



OPTIONAL PARTS

No.						Description	
	211U157 JA	211U165 JA	211U166 JA	211U566 JA	211U567 JB		
412373	*	*	*	*	*	* * * *	Foot Lift Solenoid Rod Link Ball (Left)
414774	*	*	*	*	*	* * * *	Foot Lift Solenoid Rod Link Ball (Right) Nut
416783-003	*	*	*	*	*	* * * *	Foot Lift Solenoid Rod
417141-002	*	*	*	*	*	* * * *	Foot Lift Solenoid Cord Grommet
417142-001	*	*	*	*	*	* * * *	Foot Lift Solenoid Wire Connector (2)
417166	*	*	*	*	*	* * * *	Foot Lift Solenoid Box Complete 417141-002, 417142-001 (2), 417167, 417172, 417173, 419004, 419006, 504010-452, 542766-002, 543803-002, 543803-003 (3), 543805-004 (4), 544212-054 (3), 544213-053 (4)
417167	*	*	*	*	*	* * * *	Foot Lift Solenoid Box
417168	*	*	*	*	*	* * * *	Foot Lift Solenoid Plunger Complete
417172	*	*	*	*	*	* * * *	Foot Lift Solenoid Plunger Stop Plate
417173	*	*	*	*	*	* * * *	Foot Lift Solenoid Box Cover
417189	*	*	*	*	*	* * * *	Auto Foot Lift Kit (without Knee Switch) 412373, 414774, 416783-003, 417166, 417265, 417266, 541166-001, 549296 (4)
<i>scant</i> 417219	*	*	*	*	*	* * * *	Auto Foot Lift Kit (with Knee Switch) 417189, 417220, 419043, 540899 (2), 542893, 542897, 542902 (2), 549296 (3)
417220	*	*	*	*	*	* * * *	Knee Switch Frame Shaft
417265	*	*	*	*	*	* * * *	Foot Lift Solenoid Plunger Joint
417266	*	*	*	*	*	* * * *	Foot Lift Solenoid Rod Link Ball (Right)
419004	*	*	*	*	*	* * * *	Foot Lift Solenoid Complete 417168, 419005
419005	*	*	*	*	*	* * * *	Foot Lift Solenoid
419006	*	*	*	*	*	* * * *	Foot Lift Solenoid Cord Complete
419043	*	*	*	*	*	* * * *	Relay Cord for Knee Switch Complete
504010-452	*	*	*	*	*	* * * *	Foot Lift Solenoid Cord Clip Screw
540899	*	*	*	*	*	* * * *	Knee Switch Cord Retainer
541166-001	*	*	*	*	*	* * * *	Foot Lift Solenoid Rod Link Ball (Left) Nut
541166-003	*	*	*	*	*	* * * *	Knee Switch Set Screw Nut (4)
542766-002	*	*	*	*	*	* * * *	Foot Lift Solenoid Cord Clip
542893	*	*	*	*	*	* * * *	Knee Switch, Knee Switch Base Plate Complete 541166-003 (4), 542894, 542895, 542901 (2), 544055 (4), 544213-003 (4), 544840 (8), 544841 (8)
542894	*	*	*	*	*	* * * *	Knee Switch Connector Complete
542895	*	*	*	*	*	* * * *	Knee Switch Base Plate
542897	*	*	*	*	*	* * * *	Knee Switch Frame Shaft Holder Complete 542898, 544213-056 (2), 544840 (2), 544841 (2)
542898	*	*	*	*	*	* * * *	Knee Switch Frame Shaft Holder
542901	*	*	*	*	*	* * * *	Knee Switch Base Plate Holder (2)
542902	*	*	*	*	*	* * * *	Knee Switch Relay Cord Staple
543803-002	*	*	*	*	*	* * * *	Foot Lift Solenoid Cord Clip Washer
543803-003	*	*	*	*	*	* * * *	Foot Lift Solenoid Box Cover Washer (3)
543803-004	*	*	*	*	*	* * * *	Foot Lift Solenoid Washer (4)
544055	*	*	*	*	*	* * * *	Knee Switch Set Screw (4)
544212-054	*	*	*	*	*	* * * *	Foot Lift Solenoid Box Cover Screw (3)
544213-003	*	*	*	*	*	* * * *	Knee Switch Base Plate Holder Screw (4)
544213-053	*	*	*	*	*	* * * *	Foot Lift Solenoid Screw
544213-056	*	*	*	*	*	* * * *	Knee Switch Frame Shaft Holder Screw (2)
544840	*	*	*	*	*	* * * *	Knee Switch Set Screw Spring Washer (4)
544840	*	*	*	*	*	* * * *	Knee Switch Base Plate Holder Screw Spring Washer (4)
544840	*	*	*	*	*	* * * *	Knee Switch Frame Shaft Holder Spring Washer (2)
544841	*	*	*	*	*	* * * *	Knee Switch Set Screw Washer (8)
544841	*	*	*	*	*	* * * *	Knee Switch Frame Shaft Holder Washer (2)
549296	*	*	*	*	*	* * * *	Foot Lift Solenoid Box Complete Set Screw (4)
549296	*	*	*	*	*	* * * *	Knee Switch Frame Shaft Holder Set Screw (3)

OPTIONAL PARTS



OPTIONAL PARTS

No.	211U157 JA 211U165 JA 211U166 JA 211U566 JA 211U567 JB	211U157 KA 211U166 KA 211U566 KA 211U567 KB	Description
412218	* * * * *	* * * *	Belt Guard Screw Stud (2)
412219	* * * * *	* * * *	Belt Guard (lower) with 549184
412220	* * * * *	* * * *	Belt Guard Screw Collar
412241	* * * * *	* * * *	Belt Guard Cpl. 412218 (2), 412219, 412220, 412244, 412282, 544085 (2), 544217-001 (7), 544217-004
412244	* * * * *	* * * *	Belt Guard
412282	* * * * *	* * * *	Belt Guard Plate
544085	* * * * *	* * * *	Belt Guard (lower) Wood Screw (2)
544217-001	* * * * *	* * * *	Belt Guard Screw (3)
544217-001	* * * * *	* * * *	Belt Guard Plate Screw (4)
544217-004	* * * * *	* * * *	Belt Guard Screw (long)
549184	* * * * *	* * * *	Belt Guard (lower) Thumb Screw