

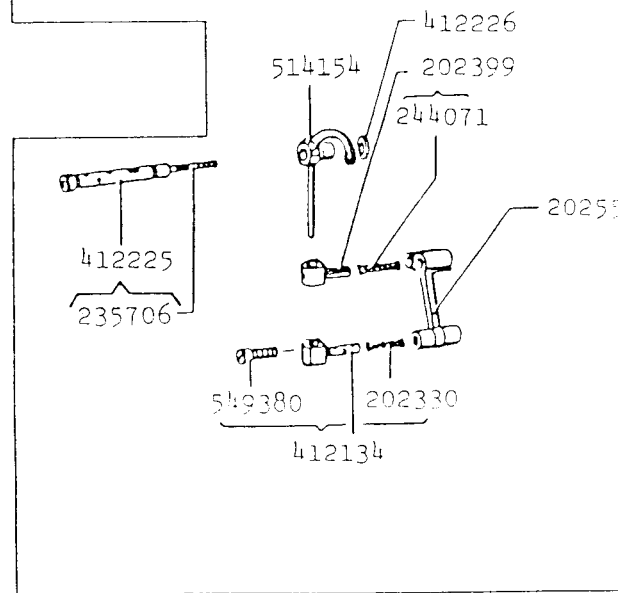
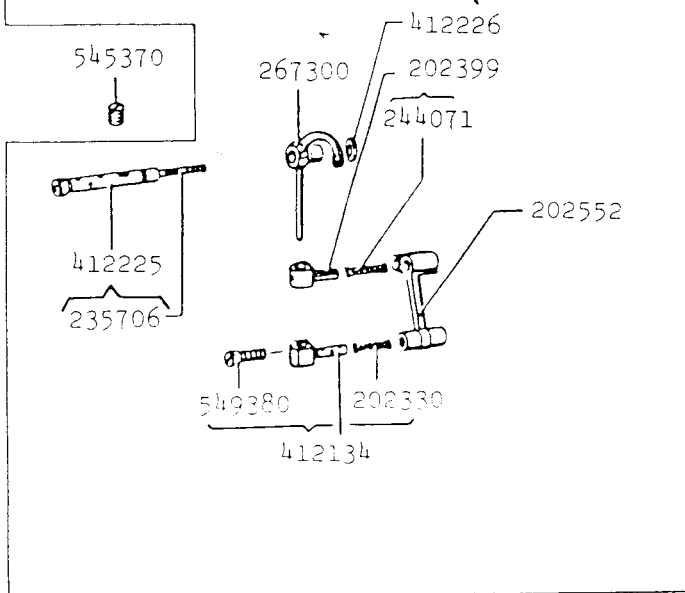
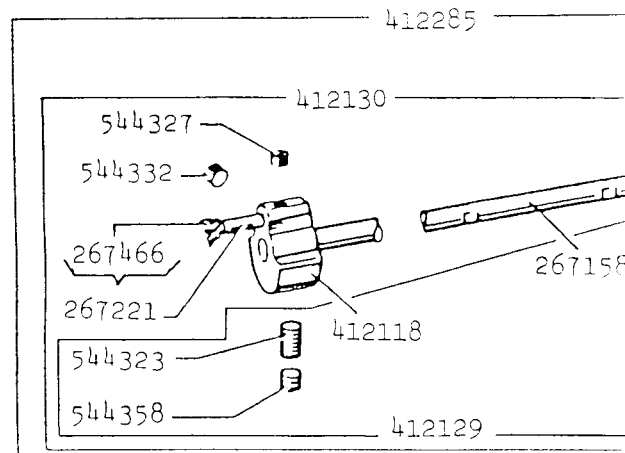
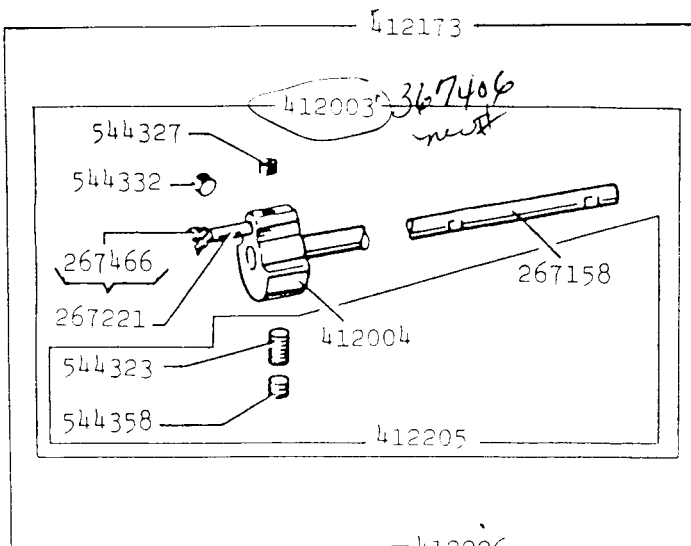
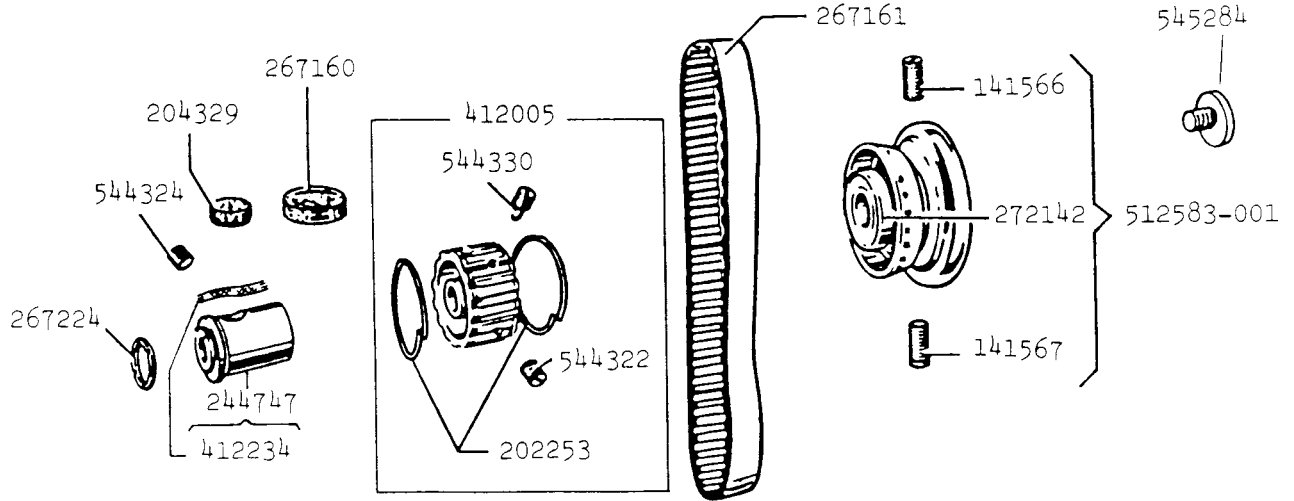
**ILLUSTRATED
PARTS LIST**

FOR

SINGER

MACHINE

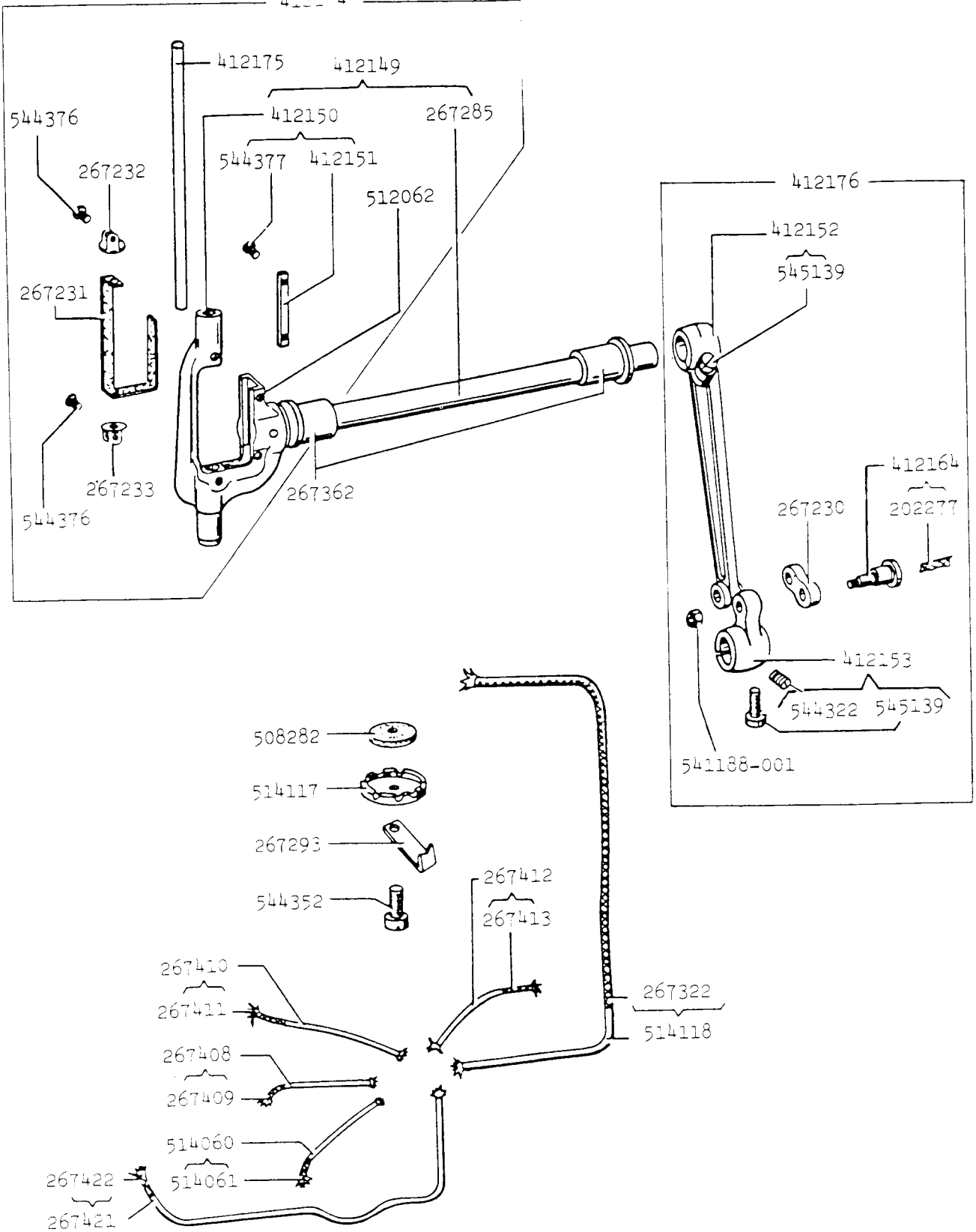
**212A141AA
541AA**



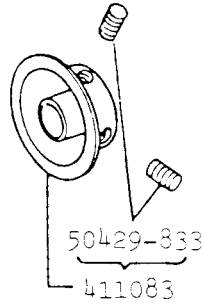
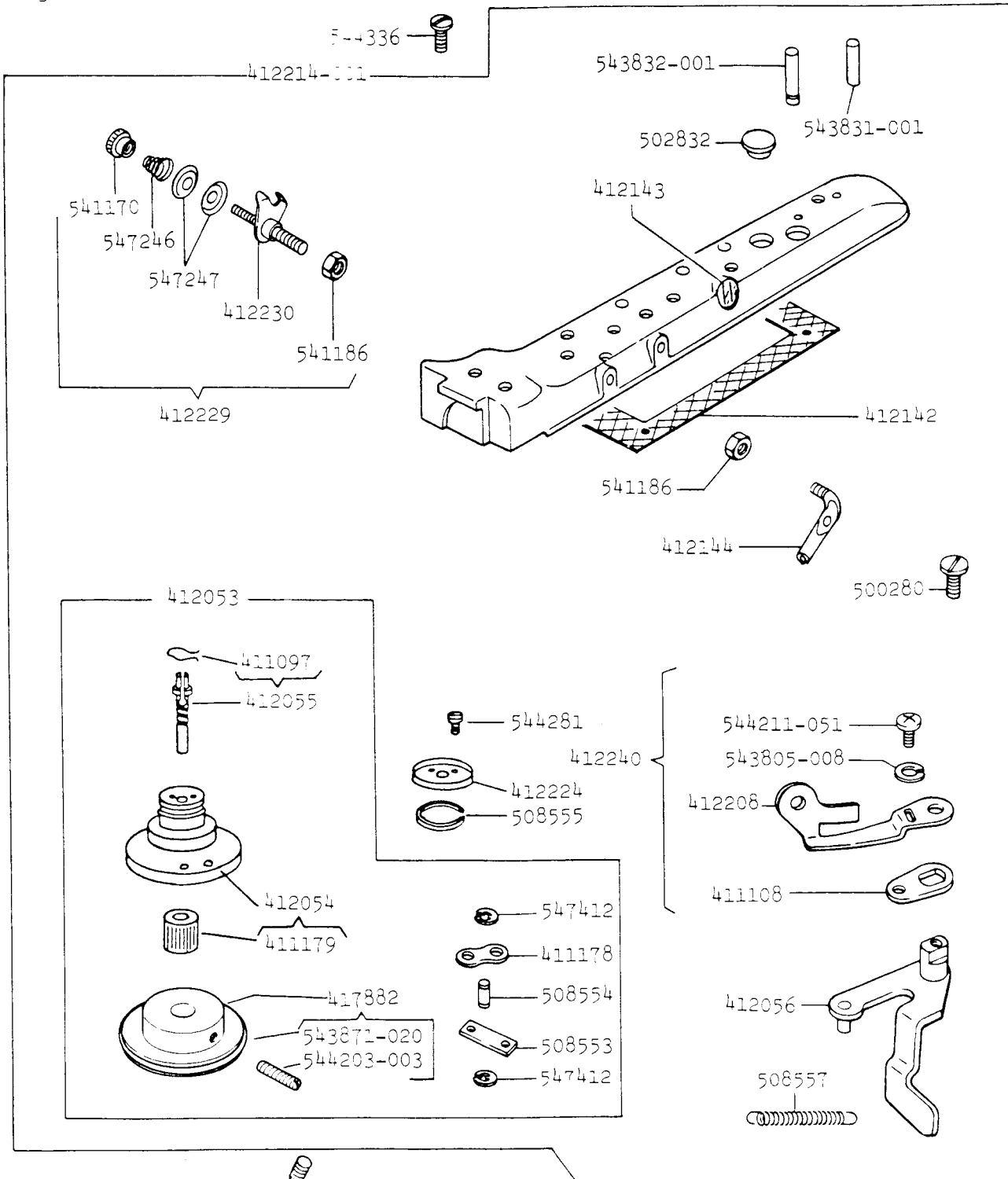
No.	212A141AA 541AA 143AA 543AA 211A157AA 166AA 566AA	Description
141566	* * * * *	Machine Pulley Position Screw
141567	* * * * *	Machine Pulley Set Screw
202253	* * * * *	Arm Shaft Connection Belt Pulley Spring Flange (2)
202330	* * - - *	Needle Bar Connection Stud Oil Packing (wick)
202399	* * - - *	Take-up Lever Driving Stud with 244071
202552	* * - - *	Needle Bar Connecting Link
204329	* * * * *	Arm Shaft Bushing Oil Pad (felt) (lower)
235706	* * * * *	Take-up Lever Hinge Stud Oil Packing (wick)
244071	* * * * *	Take-up Lever Driving Stud Oil Packing (wick)
244747	* * * * *	Arm Shaft Bushing (front) 412234
267158	* * * * *	Arm Shaft
267160	* * * * *	Arm Shaft Bushing Oil Pad (felt) (upper)
267161	* * * * *	Arm Shaft Connecting Belt
267221	* * - - *	Needle Bar Connecting Link Stud with 267466
267224	* * * * *	Needle Bar Crank Friction Washer
267300	* - * - -	Take-up Lever
267466	* * * * *	Needle Bar Connecting Link Stud Oil Packing (wick)
272142	* * * * *	Machine Pulley Ball Bearing (back)
412003	* - - - *	Arm Shaft Complete 267221, 412005, 544327, 544332
412004	* - * - *	Needle Bar Crank
412005	* * * * *	Arm Shaft Connection Belt Pulley with 202253 (2), 544322, 544330
412118	- * - * -	Needle Bar Crank
412129	- * - * -	Arm Shaft Complete 267158, 412118, 544323, 544358
412130	- * - - -	Arm Shaft Complete 267221, 412129, 544327, 544332
412134	* * - - *	Needle Bar Connecting Stud with 202330, 549380
412173	* - - - -	Arm Shaft Complete 202399, 202552, 267300, 412003, 412134, 412226
412205	* - * - *	Arm Shaft Complete 267158, 412004, 544323, 544358
412225	* * - - *	Take-up Lever Hinge Stud with 235706
412226	* * - - *	Take-up Lever Hinge Stud Wearing Washer
412234	* * * * *	Arm Shaft Bushing (front) Oil Wick
412285	- * - - -	Arm Shaft Complete 202399, 202552, 412130, 412134 412225, 412226, 514154
512583-001	* * * * *	Machine Pulley with 141566, 141567, 272142
514154	- * - * -	Take-up Lever
544322	* * * * *	Arm Shaft Connection Belt Pulley Set Screw
544323	* * * * *	Needle Bar Crank Position Screw
544324	* * * * *	Arm Shaft Bushing (front) Set Screw
544327	* * * * *	Needle Bar Connecting Link Stud Set Screw
544330	* * * * *	Arm Shaft Connection Belt Pulley Position Screw
544332	* * * * *	Needle Bar Connecting Link Stud Set Screw
544358	* * * * *	Needle Bar Crank Position Screw Check Screw
545284	* * * * *	Hand Wheel Screw
545370	* * * * *	Take-up Lever Hinge Stud Set Screw
549380	* * - - *	Needle Bar Connecting Stud Pinch Screw

8

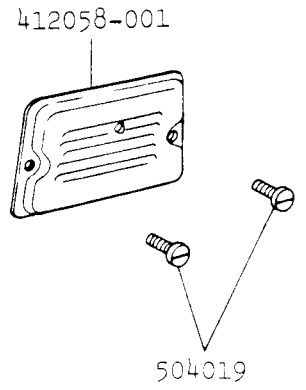
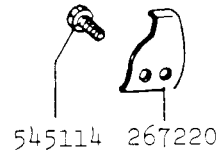
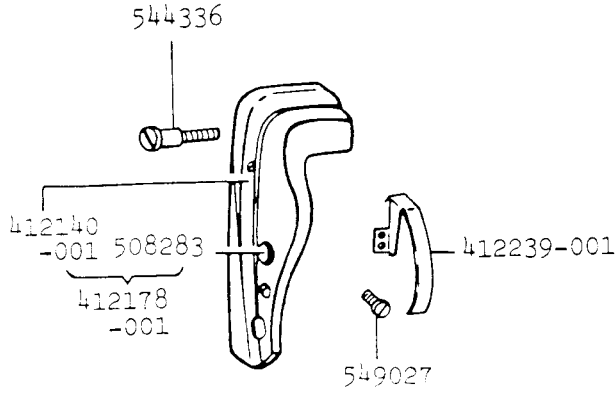
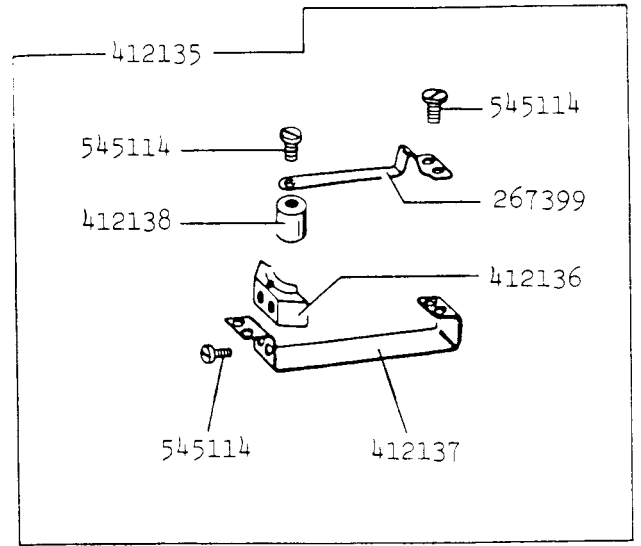
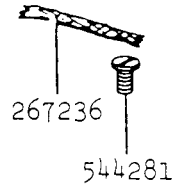
412174



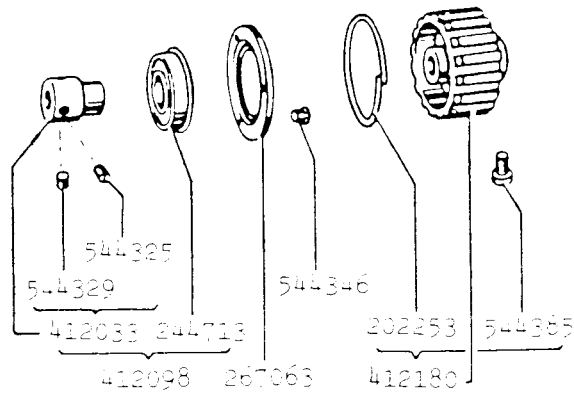
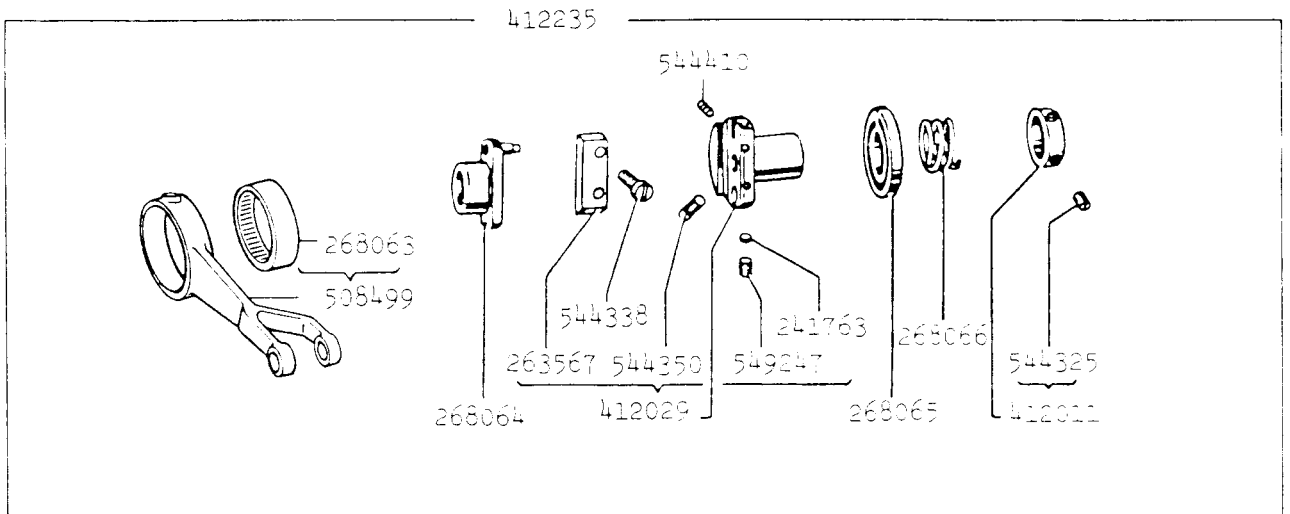
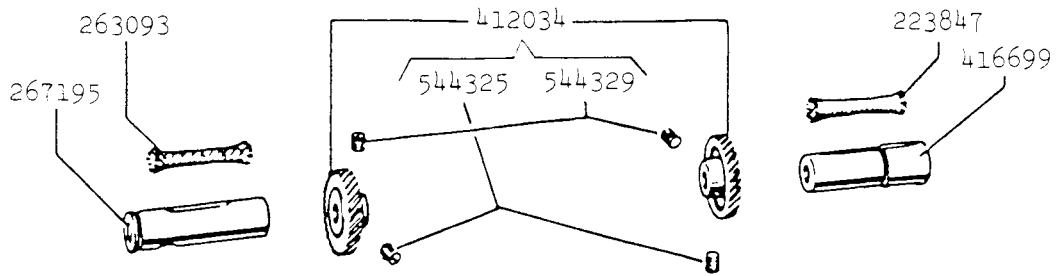
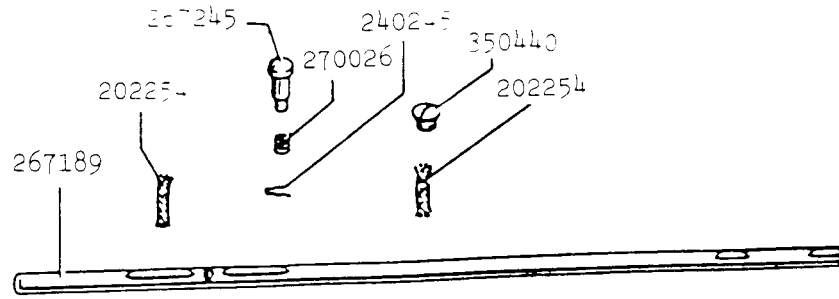
No.	212A141AA 541AA 143AA 543AA 211A157AA 166AA 566AA	Description
202277	* * - - * - -	Needle Bar Rock Frame Rock Shaft Crank Link Hinge Screw Oil Packing (wick) (2)
267230	* * - - * - -	Needle Bar Rock Frame Rock Shaft Crank Link
267231	* * - - * - -	Needle Bar Oiling Felt
267232	* * - - * - -	Needle Bar Oiling Felt Retainer (upper)
267233	* * - - * - -	Needle Bar Oiling Felt Retainer (lower)
267285	* * - - * - -	Needle Bar Rock Frame Shaft
267293	* * * * * * *	Feed Driving Eccentric Connection Oil Tube Support
267322	* * * * * * *	Bed Oil Supply Tube Oil Wick
267362	* * - - * - -	Needle Bar Rock Frame Rock Shaft Bushing (split) (2)
267408	* * * * - - -	Hook Saddle Bearing (right) Oil Tube with 267409
267409	* * * * - - -	Hook Saddle Bearing (right) Oil Tube Wick
267410	* * * * - - -	Feed Driving Rock Shaft Bushing (left) Oil Tube with 267411
267411	* * * * * * *	Feed Driving Rock Shaft Bushing (left) Oil Tube Wick
267412	* * * * - - -	Feed Driving Rock Shaft Bushing (right) Oil Tube with 267413
267413	* * * * - - -	Feed Driving Rock Shaft Bushing (right) Oil Tube Wick
267421	* * * * - - -	Hook Saddle Bearing (left) Oil Tube with 267422
267422	* * * * - - -	Hook Saddle Bearing (left) Oil Tube Wick
412149	* * - - * - -	Needle Bar Rock Frame Complete 267285, 412150, 512062
412150	* * - - * - -	Needle Bar Rock Frame with 412151 (2), 544377 (4)
412151	* * - - * - -	Needle Bar Rock Frame Wear Plate (2)
412152	* * - - * - -	Needle Bar Rock Frame Rock Shaft Connection with 545139
412153	* * - - * - -	Needle Bar Rock Frame Rock Shaft Crank with 544322, 545139
412164	* * - - * - -	Needle Bar Rock Frame Rock Shaft Crank Link Hinge Screw (2) with 202277
412174	* * - - - - -	Needle Bar Rock Frame, Rock Shaft, Needle Bar Complete 267231, 267232, 267233, 412149, 412175, 544376 (4)
412175	* * - - - - -	Needle Bar
412176	* * - - * - -	Needle Bar Rock Frame Rock Shaft Connection Complete 267230, 412152, 412153, 412164, 541188-001
508282	* * * * * * *	Bed Oil Tube Clamp Oiling Felt
512062	* * - - * - -	Needle Bar Rock Frame Pin
514060	* * * * - - -	Feed Driving Eccentric Connection Oil Tube with 514061
514061	* * * * - - -	Feed Driving Eccentric Connection Oil Tube Wick
514117	* * * * * * *	Bed Oil Tube Clamp
514118	* * * * - - -	Bed Oil Supply Tube with 267322
541188-001	* * * * * - -	Needle Bar Rock Frame Rock Shaft Crank Link Hinge Screw Nut (2)
544322	* * - - * - -	Needle Bar Rock Frame Rock Shaft Crank Set Screw
544352	* * * * * * *	Bed Oil Tube Clamp Screw
544376	* * - - * - -	Needle Bar Oiling Felt Retainer Screw (upper) (2)
544376	* * - - * - -	Needle Bar Oiling Felt Retainer Screw (lower) (2)
544377	* * - - * - -	Needle Bar Rock Frame Wear Plate Screw (4)
545139	* * - - * - -	Needle Bar Rock Frame Rock Shaft Connection Pinch Screw
545139	* * - - * - -	Needle Bar Rock Frame Rock Shaft Crank Pinch Screw



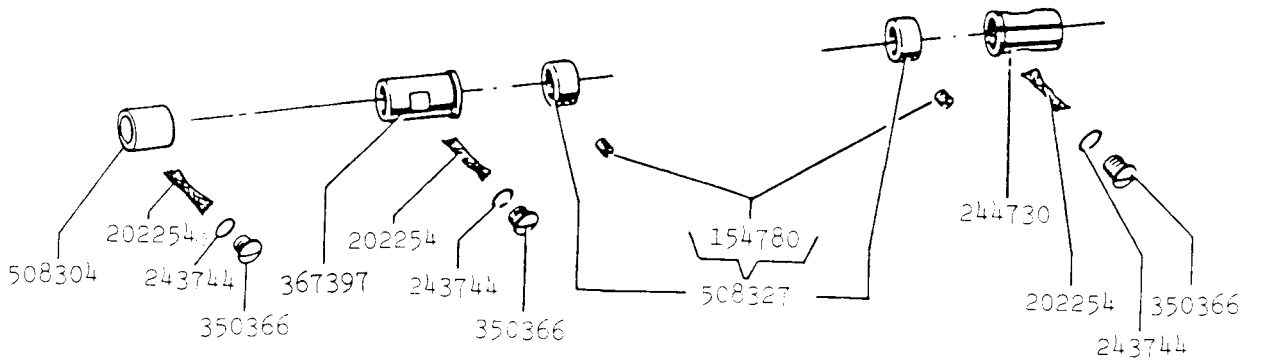
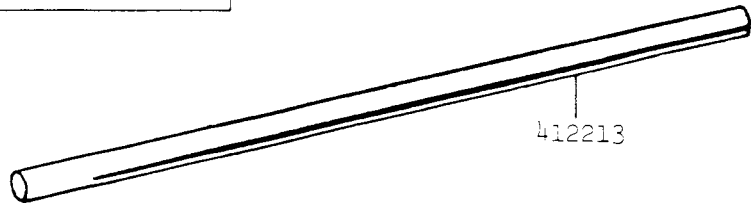
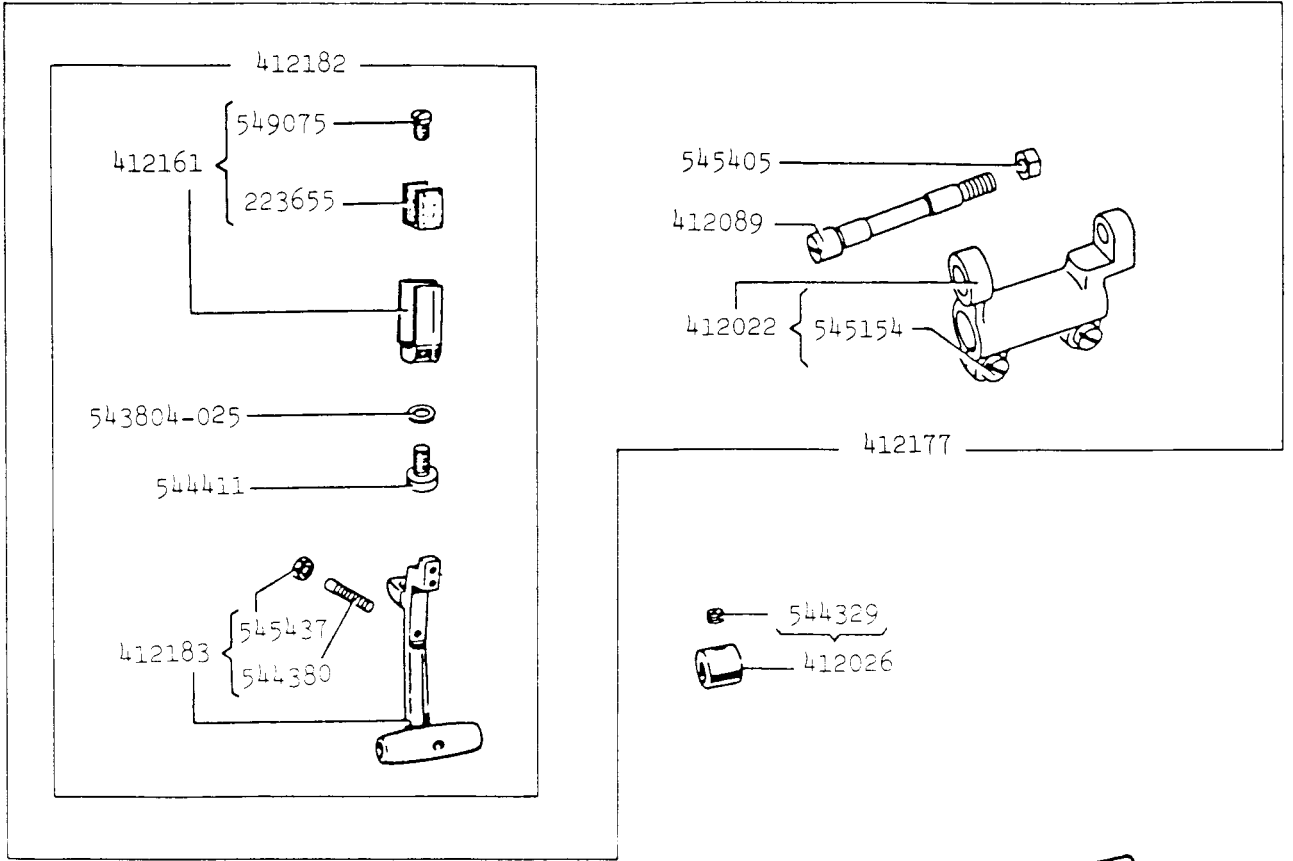
No.	212A141AA 541AA 143AA 543AA 211A157AA 166AA 566AA	Description
50429-833	* * * * *	Bobbin Winder Driving Wheel Set Screw (2)
411083	* * * * *	Bobbin Winder Driving Wheel with 374283 (2)
411097	* * * * *	Bobbin Snap Spring
411108	* * * * *	Bobbin Winder Shaft Bushing (Ecc.) Trip Lever (short)
411178	* * * * *	Bobbin Winder Bushing (Ecc.) Connection Lever
411179	* * * * *	Bobbin Winder Shaft Bushing (Ecc.) Bearing
412053	* * * * *	Bobbin Winder Shaft Bushing (Ecc.) Complete 411178, 412054, 412055, 417882, 508553, 508554, 547412 (2)
412054	* * * * *	Bobbin Winder Shaft Bushing (Ecc.) with 411179
412055	* * * * *	Bobbin Winder Shaft with 411097
412056	* * * * *	Bobbin Winder Bushing (Ecc.) Rocking Lever Complete
412142	* * * * * - -	Arm Cover (top) Gasket (vellumoid)
412143	* * * * * - -	Oil Lever Indicator
412144	* * - - * * *	Thread Guide (Arm Top Cover) (2)
412203	* * * * *	Bobbin Winder Shaft Bushing (Ecc.) Trip Lever (long)
412214-001	* * - - - - -	Arm Cover (top) with 412053, 412056, 412142, 412143, 412144, 412224, 412229, 412240, 500280, 502832, 508555, 508557, 541186, 543831-001, 543832-001, 544281 (2)
412224	* * * * *	Bobbin Winder Bushing (Ecc.) Thread Guard
412229	* * * * *	Bobbin Winder Tension Complete 412230, 541170, 541186, 547246, 547247 (2)
412230	* * * * *	Bobbin Winder Tension Stud Complete
412240	* * * * *	Bobbin Winder Shaft Bushing (Ecc.) Trip Lever Complete 411108, 412208, 543805-008, 544211-051
417882	* * * * *	Bobbin Winder Shaft Friction Wheel with 543871-020, 544203-003 (2)
500280	* * * * *	Bobbin Winder Shaft Bushing (Ecc.) Trip Lever Cap Screw
502832	* * * * *	Arm Cover (top) Plug
508553	* * * * *	Bobbin Winder Bushing (Ecc.) Spring Shackle
508554	* * * * *	Bobbin Winder Bushing (Ecc.) Link Stud
508555	* * * * *	Bobbin Winder Bushing (Ecc.) Snap Ring
508557	* * * * *	Bobbin Winder Bushing (Ecc.) Spring
541170	* * * * *	Bobbin Winder Tension Nut
541186	* * * * *	Bobbin Winder Tension Lock Nut
541186	* * * * *	Thread Guide (Arm Top Cover) Lock Nut (2)
543805-008	* * * * *	Bobbin Winder Shaft Bushing (Ecc.) Trip Lever Screw Washer
543831-001	* * * * *	Bobbin Winder Bushing (Ecc.) Rocking Lever Stop Pin
543832-001	* * * * *	Bobbin Winder Shaft Bushing (Ecc.) Coil Spring Stud
543871-020	* * * * *	Bobbin Winder Shaft Friction Wheel Ring
544203-003	* * * * *	Bobbin Winder Shaft Friction Wheel Set Screw (2)
544211-051	* * * * *	Bobbin Winder Shaft Bushing (Ecc.) Trip Lever Screw
544281	* * * * *	Bobbin Winder Shaft Bushing (Ecc.) Thread Guard Screw (2)
544336	* * * * *	Arm Cover (top) Screw (6)
547246	* * * * *	Bobbin Winder Tension Spring
547247	* * * * *	Bobbin Winder Tension Disc (2)
547412	* * * * *	Bobbin Winder Shaft Bushing (Ecc.) Link Lock Washer (2)



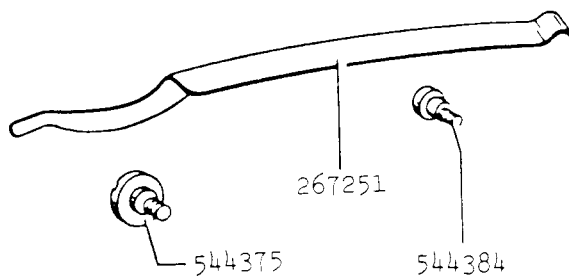
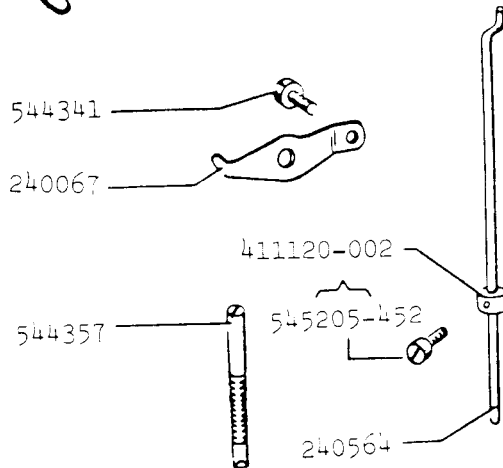
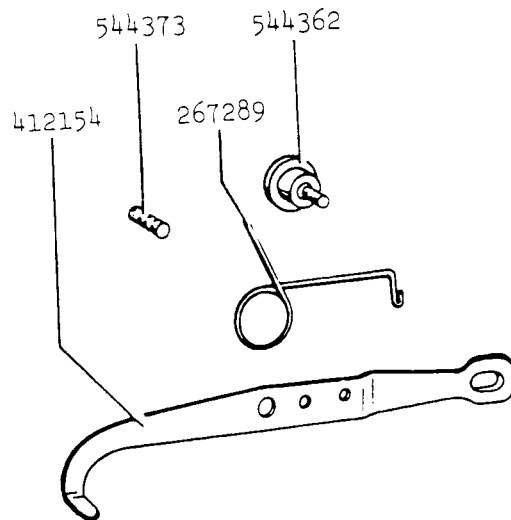
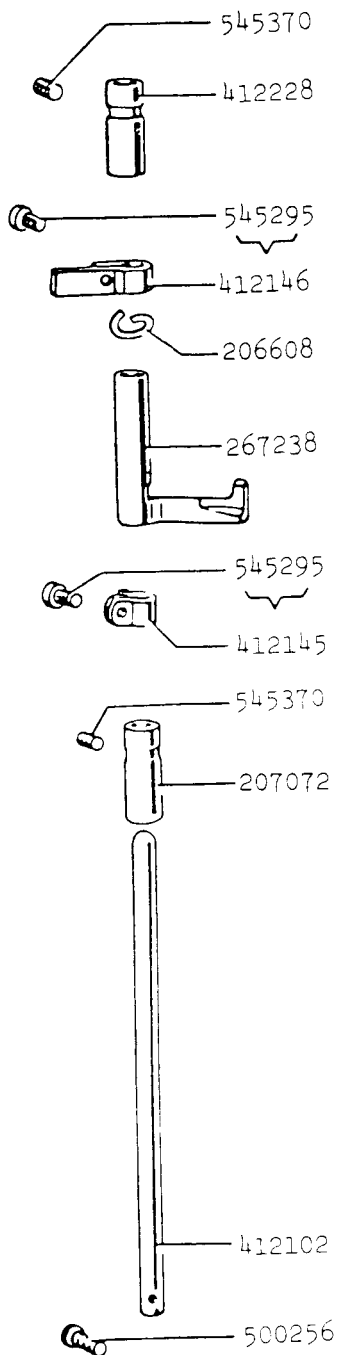
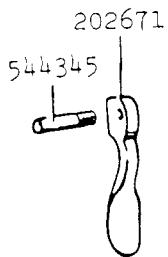
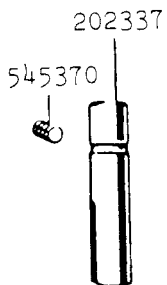
No.	212A141AA 541AA 143AA 543AA 211A157AA 166AA 566AA	Description
267220	* * * * *	Oil Guard
267236	* * * * * - -	Oil Reservoir Oil Wick
267399	* * * * * - -	Oil Vibrator Pump Weight Spring
412058-001	* * * * * * *	Arm Cover (side)
412135	* * * * * - -	Dynamic Head-End Lubrication Device Complete 267399, 412136, 412137, 412138, 545114 (5)
412136	* * * * * - -	Oil Vibrator Pump Block
412137	* * * * * - -	Oil Vibrator Pump Bracket
412138	* * * * * - -	Oil Vibrator Pump Weight
412140-001	* * - - * - -	Face Plate
412178-001	* * - - - - -	Face Plate Complete 412140, 508283
412239-001	* * * * * * *	Take-up Lever Guard
504019	* * * * * * *	Arm Cover (side) Screw (2)
508283	* * * * * * *	Face Plate Plug
544281	* * * * * - -	Oil Vibrating Pump Bracket Screw (2)
544336	* * * * * - -	Face Plate Screw (2)
545114	* * * * * - -	Oil Vibrator Pump Block Screw (2)
545114	* * * * * - -	Oil Vibrator Pump Weight Spring Screw (2)
545114	* * * * * - -	Oil Vibrator Pump Weight Screw
545114	* * * * * * *	Oil Guard Screw
549027	* * * * * * *	Take-up Lever Guard Screw (3)



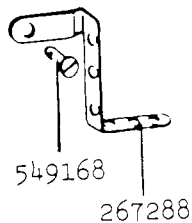
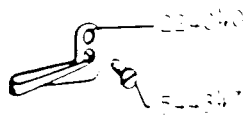
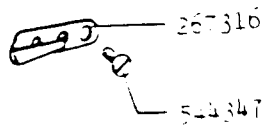
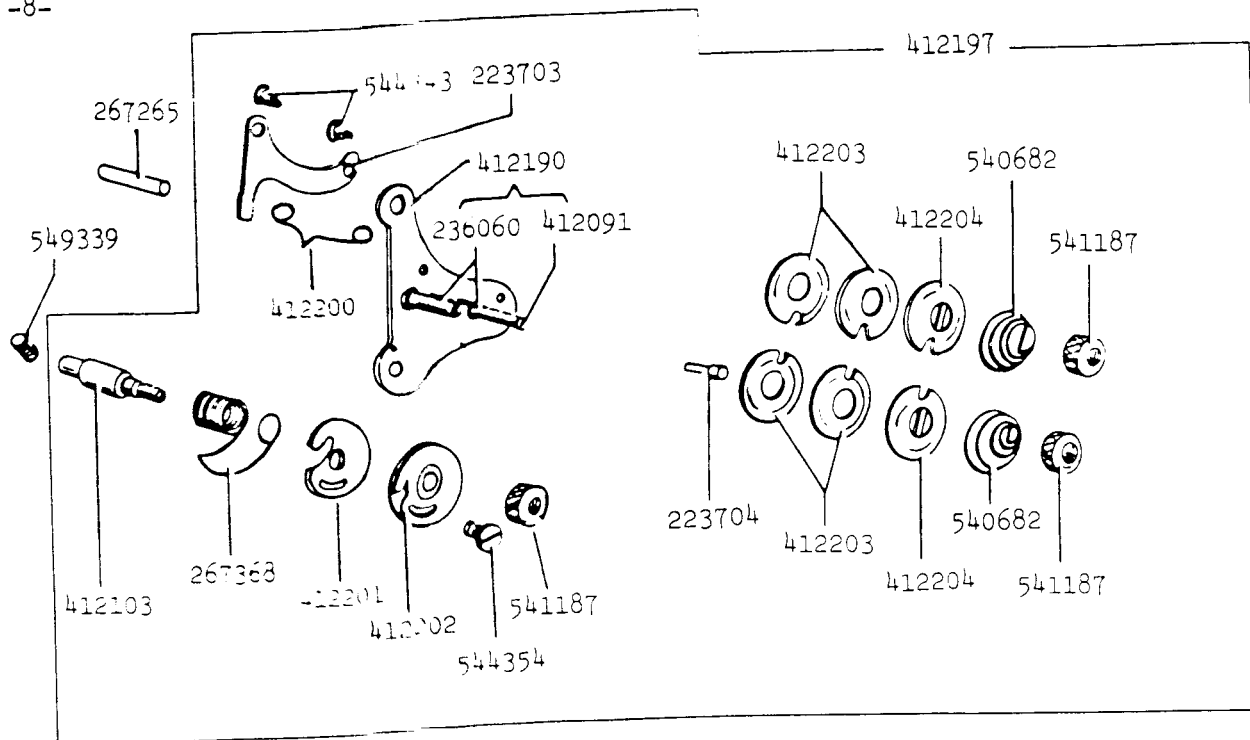
No.	212A141AA 541AA 143AA 543AA 211A157AA 166AA 566AA	Description
202253	* * * * *	Hook Driving Shaft Connection Belt Pulley Spring Flange
202254	* * * * *	Bed Oil Wick (front)
202254	* * * * *	Bed Oil Wick (back)
223847	* * * * *	Hook Saddle Bearing (right) Oil Packing (wick)
240245	* * * * *	Feed Regulating Stud Retaining Spring
241763	* * * * *	Feed Driving Eccentric Plate Screw Set Screw Packing (brass) (2)
244713	* * * * *	Hook Driving Shaft Ball Bearing
263093	* * * * *	Hook Saddle Bearing (left) Oil Packing (wick)
263567	* * * * *	Feed Driving Flange Friction Plate
267063	* * * * *	Hook Driving Shaft Ball Bearing Retaining Washer
267189	* * * * *	Hook Driving Shaft
267195	* * * * *	Hook Saddle Bearing (left)
267245	* * * * *	Feed Regulating Stud
268063	* * * * *	Feed Driving Eccentric Connection Needle Bearing
268064	* * * * *	Feed Driving Eccentric
268065	* * * * *	Feed Driving Eccentric Adjusting Disc
268066	* * * * *	Feed Driving Eccentric Adjusting Disc Spring
270026	* * * * *	Feed Regulating Stud Spring
350440	* * * * *	Bed Oil Screw
412011	* * * * *	Feed Driving Eccentric Adjusting Disc Spring Collar with 544325 (2)
412029	* * * * *	Feed Driving Flange with 241763 (2), 263567, 544350, 544338 (2), 544410, 549247 (2)
412033	* * * * *	Hook Driving Shaft Ball Bearing Collar with 544325, 544329
412034	* * * * *	Hook Driving Gear (spiral) (2) with 544325, 544329
412098	* * * * *	Hook Driving Shaft Ball Bearing Complete 244713, 412033
412180	* * * * *	Hook Driving Shaft Connection Belt Pulley with 202253, 544385 (2)
412235	* * * * *	Feed Driving Eccentric Complete 268064, 268065, 268066, 412011, 412029, 508499
416699	* * * * *	Hook Saddle Bearing (right)
508499	* * * * *	Feed Driving Eccentric Connection with 268063
544325	* * * * *	Hook Driving Gear Set Screw (2)
544325	* * * * *	Feed Driving Eccentric Adjusting Disc Spring Collar Set Screw (2)
544325	* * * * *	Hook Driving Shaft Ball Bearing Collar Set Screw
544329	* * * * *	Hook Driving Gear Position Screw (2)
544329	* * * * *	Hook Driving Shaft Ball Bearing Collar Position Screw
544338	* * * * *	Feed Driving Flange Friction Plate Screw (2)
544346	* * * * *	Hook Driving Shaft Ball Bearing Retaining Washer Screw (3)
544350	* * * * *	Feed Driving Flange Set Screw
544385	* * * * *	Hook Driving Shaft Connection Belt Pulley Set Screw (2)
544410	* * * * *	Feed Driving Flange Position Screw
549247	* * * * *	Feed Driving Eccentric Friction Plate Screw Set Screw (2)



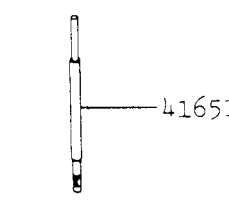
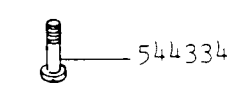
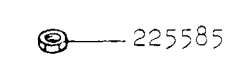
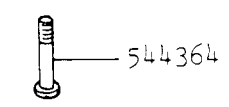
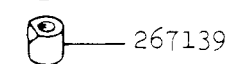
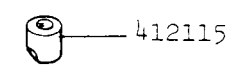
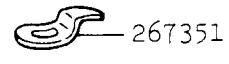
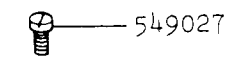
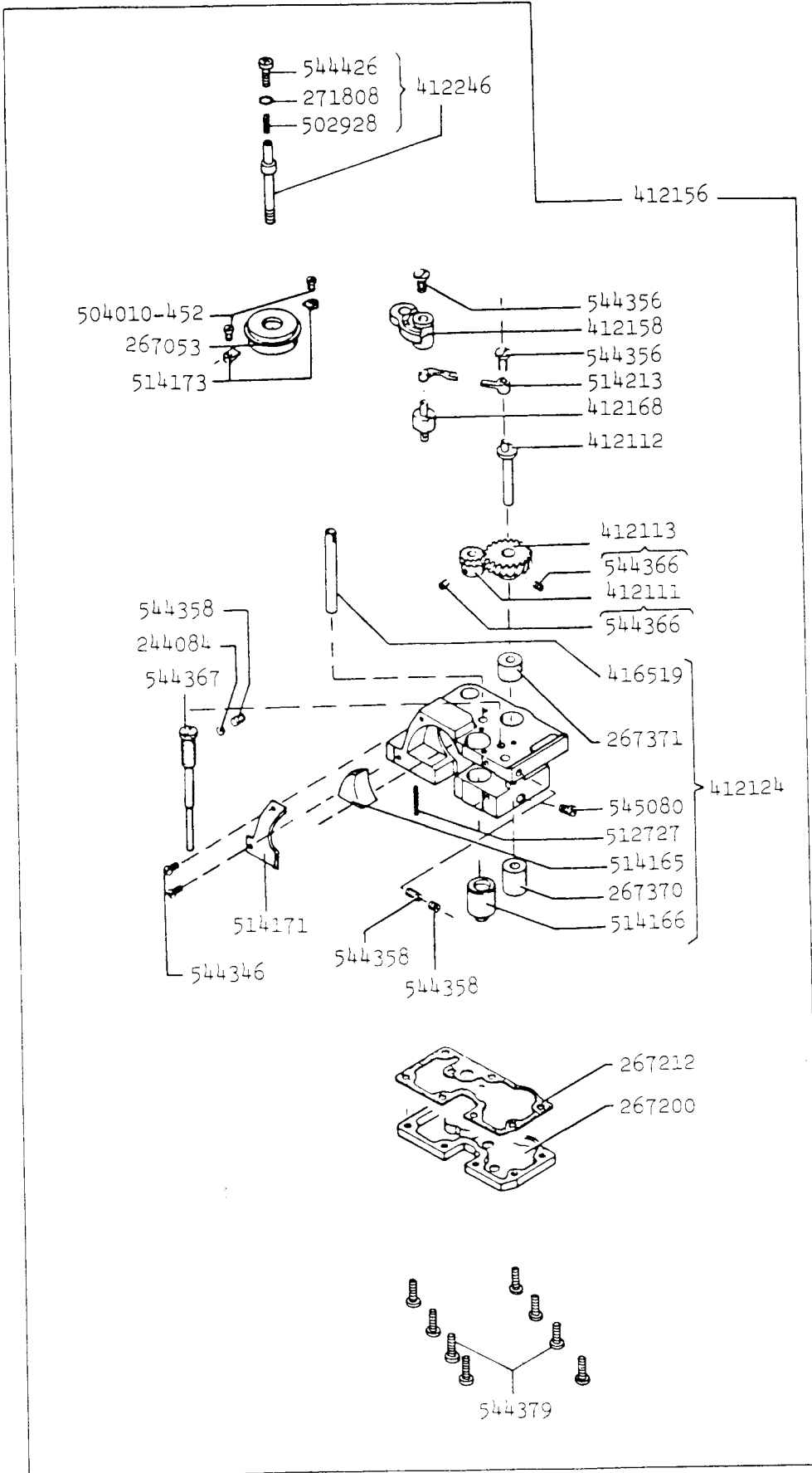
No.	212A141AA 541AA 143AA 543AA 211A157AA 166AA 566AA	Description
154780	*****	Feed Driving Rock Shaft Stop Collar Set Screw (4)
202254	*****	Bed Oil Wick (front)
202254	*****	Bed Oil Wick (center)
202254	*****	Bed Oil Wick (back)
223655	*****	Feed Lifting Eccentric Fork Oiling Felt
243744	*****	Bed Oil Stop Screw Gasket (front)
243744	*****	Bed Oil Stop Screw Gasket (center)
243744	*****	Bed Oil Stop Screw Gasket (back)
244730	*****	Feed Driving Rock Shaft Bushing (back)
350366	*****	Bed Oil Stop Screw (front)
350366	*****	Bed Oil Stop Screw (center)
350366	*****	Bed Oil Stop Screw (back)
367397	*****	Feed Driving Rock Shaft Bushing (center)
412022	*****	Feed Driving Rock Frame with 545154 (2)
412026	*****	Feed Lifting Eccentric with 544329
412089	*****	Feed Bar Hinge Screw (driving)
412161	***** - -	Feed Lifting Eccentric Fork with 223655, 549075
412177	***** - - -	Feed Driving Rock Frame Complete 412022, 412089, 412182, 545405
412182	***** - - -	Feed Bar Complete 412161, 412183, 543804-005, 544411
412183	***** - - -	Feed Bar with 544380, 545437
412213	** - - * - -	Feed Driving Rock Shaft
508304	*****	Feed Driving Rock Shaft Bushing (front)
508327	*****	Feed Driving Rock Shaft Stop Collar (2) with 154780 (2)
543804-025	*****	Feed Lifting Eccentric Fork Screw Washer
544329	*****	Feed Lifting Eccentric Set Screw
544380	***** - - -	Feed Dog Support Screw
544411	*****	Feed Lifting Fork Screw
545154	*****	Feed Driving Rock Frame Pinch Screw (2)
545405	*****	Feed Bar Hinge Screw Nut
545437	***** - - -	Feed Dog Support Screw Nut
549075	*****	Feed Lifting Eccentric Fork Oiling Felt Screw



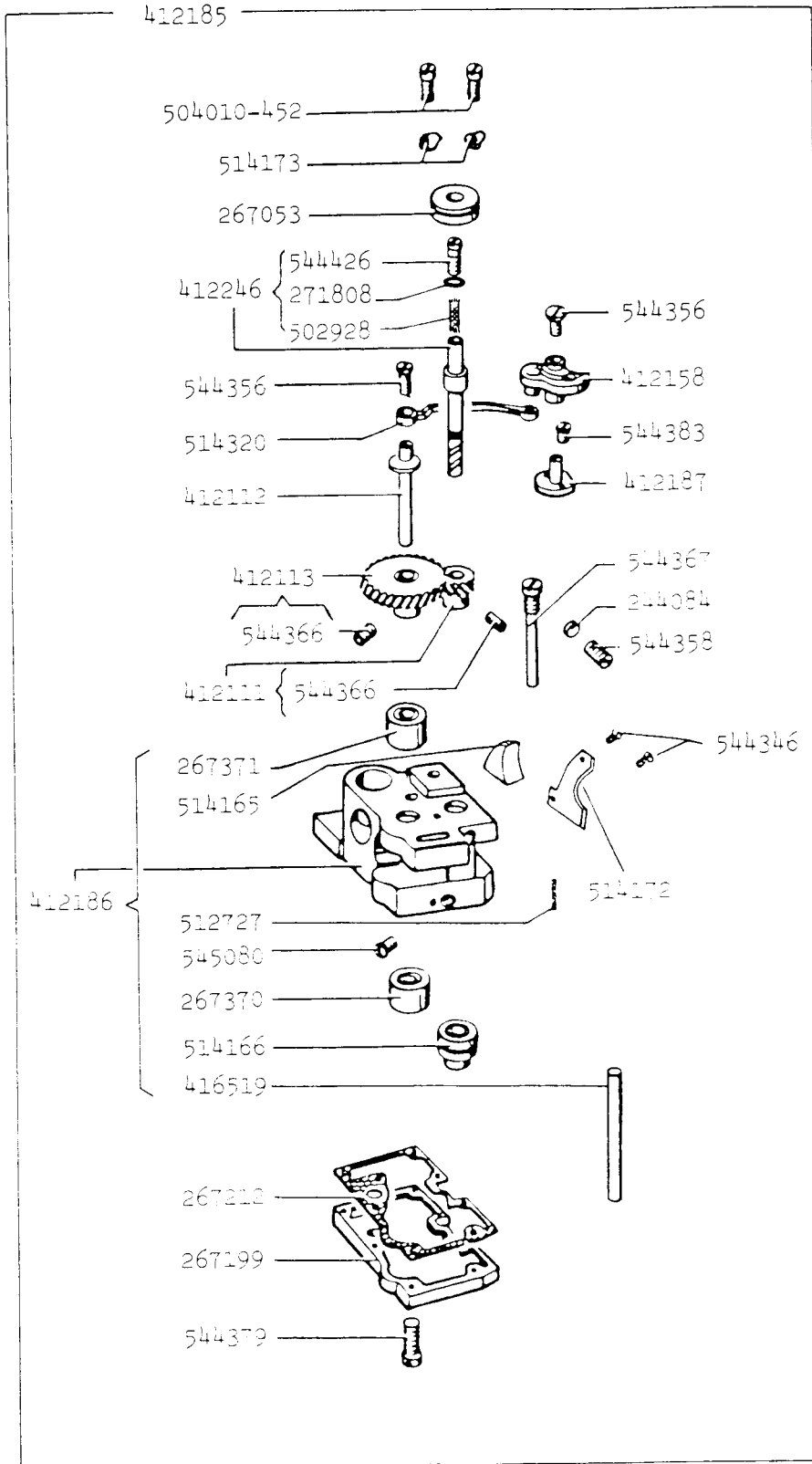
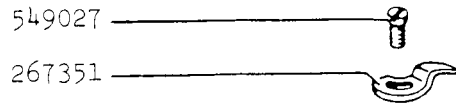
No.	212A141AA 541AA 143AA 543AA 211A157AA 166AA 566AA	Description
202337	* * * * *	Presser Bar Position Guide
202671	* * * * *	Presser Bar Lifter
206608	* * * * *	Presser Bar Lifting Releasing Lever Bracket Spring
207072	* * * * *	Presser Bar Bushing (lower)
240067	* * * * *	Knee Lifter Connection Lever
240564	* * * * *	Knee Lifter Connection Lever Lifting Rod
267238	* * * * *	Presser Bar Lifting Releasing Lever Bracket
267251	* * * * *	Presser Bar Spring (flat)
267289	* * * * *	Knee Lifter Lifting Lever Spring
367314	* * * * *	Take-up Lever Oiling Felt
412102	* * * * *	Presser Bar with 500256
411120-002	* * * * *	Knee Lifter Connection Lifting Rod Stop Collar with 545205-452
412145	* * * * *	Presser Bar Spring Bracket with 545295
412146	* * * * *	Presser Bar Position Guide Lever with 545295
412154	* * * * *	Knee Lifter Lifting Lever
412228	* * * * *	Presser Bar Bushing (upper)
500256	* * * * *	Presser Foot Screw
544341	* * * * *	Knee Lifter Connection Lever Hinge Screw
544345	* * * * *	Presser Bar Lifter Hinge Screw
544357	* * * * *	Presser Bar Spring Regulating Screw
544362	* * * * *	Knee Lifter Lifting Lever Hinge Screw
544373	* * * * *	Knee Lifter Lifting Lever Spring Stop Screw
544375	* * * * *	Presser Bar Lifting Releasing Lever Bracket Guide Screw
544384	* * * * *	Presser Bar Spring Support Screw
545205-452	* * * * *	Knee Lifter Connection Lever Lifting Rod Stop Collar Set Screw
545295	* * * * *	Presser Bar Position Guide Lever Pinch Screw
545295	* * * * *	Presser Bar Spring Bracket Pinch Screw
545370	* * * * *	Presser Bar Position Guide Set Screw
545370	* * * * *	Presser Bar Bushing Set Screw (upper)
545370	* * * * *	Presser Bar Bushing Set Screw (lower)



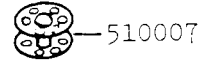
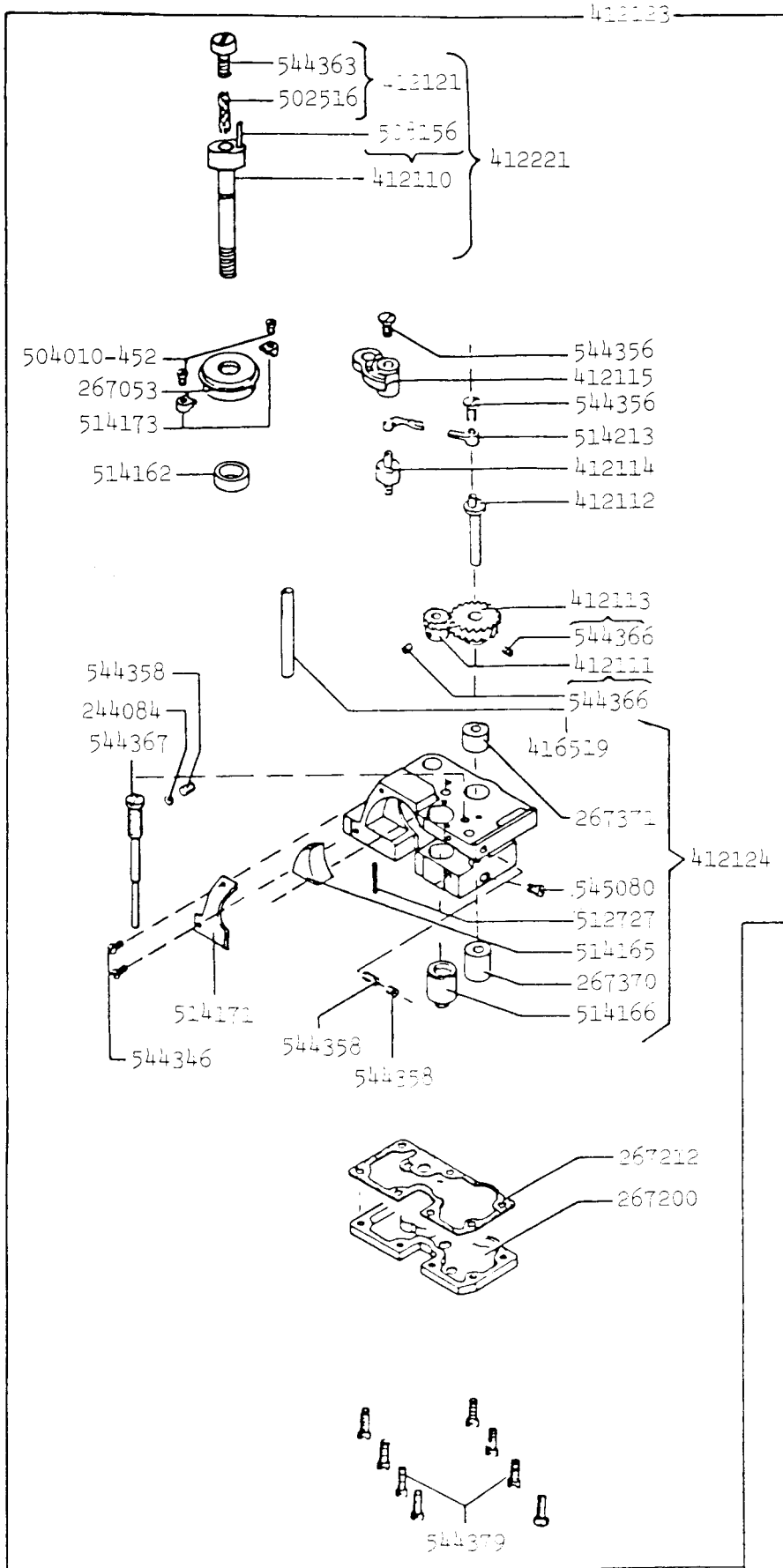
No.	212A141AA 541AA 143AA 543AA 211A157AA 166AA 566AA	Description
223703	*****	Tension Release Lever
223704	*****	Tension Release Plunger (2)
224040	*****	Thread Guide (lower)
236060	*****	Tension Disc Position Pin (2)
267265	*****	Tension Release Lever Rod
267288	**_**_**_**	Thread Retainer
267316	*****	Thread Guide (2)
267368	**_**_**_**	Thread Controller Spring
412091	*****	Tension Stud (2)
412103	**_**_**_**	Thread Controller Stud with 204925
412190	**_**_**_**	Tension Bracket with 236060 (2), 412091 (2)
412197	**_**_**_**	Tension Bracket Complete 223703, 223704 (2), 267368, 412103, 412190, 412200, 412201, 412202, 412203 (4), 412204 (2), 540682 (2), 541187 (3), 544343 (2), 544354
412200	*****	Tension Release Lever Spring
412201	**_**_**_**	Thread Controller Spring Stop
412202	*****	Thread Controller Disc
412203	*****	Tension Disc (4)
412204	*****	Tension Release Washer (2)
540682	**_**_**_**	Tension Spring (2)
541187	*****	Tension Thumb Nut (3)
544343	*****	Tension Release Lever Screw (2)
544347	*****	Thread Guide Screw (3)
544354	**_**_**_**	Thread Controller Disc Screw
549168	*****	Tension Bracket Screw
549339	*****	Thread Controller Stud Set Screw



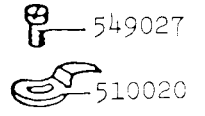
No.	212AA 41AA 541AA 143AA 543AA 211A157AA 166AA 566AA	Description
225585	* * * * *	Hook Saddle Screw Washer
244084	* * * * *	Hook Saddle Regulating Screw Check Screw Packing
267053	* * * * *	Hook Ball Bearing
267139	* * * * *	Pinch Sleeve (lower)
267200	* * * * *	Hook Saddle Oil Reservoir
267212	* * * * *	Hook Saddle Oil Reservoir Gasket
267351	* - * - *	Bobbin Case Opener
267370	* * * * *	Bobbin Case Opener Driving Cam Shaft Bushing (lower)
267371	* * * * *	Bobbin Case Opener Driving Cam Shaft Bushing (upper)
271808	* - * - *	Hook Shaft Oil Filter Felt Holder Seal
412111	* * * * *	Hook Driving Pinion (spiral) with 544366 (2)
412112	* * * * *	Bobbin Case Opener Cam Shaft
412113	* * * * *	Bobbin Case Opener Driving Cam Shaft Gear (spiral) with 544366 (2)
412115	* * * * *	Pinch Sleeve (upper)
412124	* * * * *	Hook Saddle (right) with 267370, 267371, 416519, 512727, 514165, 514166, 545080
412156	* - * - *	Hook Saddle (right) Complete 244084, 267053, 267200, 267212, 412111, 412112, 412113, 412124, 412158, 412168, 412246, 504010-452 (2), 514171, 514173 (2), 514213, 544346 (2), 544356 (2), 544358 (3), 544367, 544370 (8)
412158	* - * - *	Bobbin Case Opener Crank
412168	* - * - *	Bobbin Case Opener Crank Hinge Stud
412246	* - * - *	Hook Shaft with 271808, 502928, 544426
416518	* * * * *	Hook Saddle Oil Gauge
416519	* * * * *	Hook Saddle Oil Gauge Sleeve
502928	* - * - *	Hook Shaft Oil Filter Felt
504010-452	* * * * *	Hook Ball Bearing Retaining Screw (2)
512727	* * * * *	Hook Saddle Oil Wick
514165	* * * * *	Hook Saddle Foam Cushion
514166	* * * * *	Hook Shaft Bushing
514171	* * * * *	Hook Saddle Cover Plate
514173	* * * * *	Hook Ball Bearing Retainer (2)
514213	* * * * *	Bobbin Case Opener Link
544334	* * * * *	Hook Saddle Screw
544346	* * * * *	Hook Saddle Cover Plate Screw (2)
544350	* * * * *	Bobbin Case Opener Crank Cap Screw
544356	* * * * *	Bobbin Case Opener Link Cap Screw
544358	* * * * *	Hook Saddle Oil Regulating Screw Check Screw
544358	* * * * *	Bobbin Case Opener Crank Hinge Stud Set Screw
544358	* * * * *	Bobbin Case Opener Crank Hinge Stud Set Screw Check Screw
544364	* * * * *	Pinch Sleeve Screw
544366	* * * * *	Bobbin Case Opener Driving Cam Shaft Gear (spiral) Set Screw (2)
544366	* * * * *	Hook Driving Pinion (spiral) Set Screw (2)
544367	* * * * *	Hook Saddle Oil Regulating Screw
544379	* * * * *	Hook Saddle Oil Reservoir Screw (3)
544426	* - * - *	Hook Shaft Oil Filter Holder
545080	* * * * *	Hook Saddle Oil Stop Screw
549027	* * * * *	Bobbin Case Opener Screw



No.	212A141AA 541AA 143AA 543AA 211A157AA 166AA 566AA	Description
225585	* * * * *	Hook Saddle Screw Washer
244084	* * * * *	Hook Saddle Oil Regulating Screw Check Screw Packing
267053	* * * * *	Hook Ball Bearing
267139	* * * * *	Pinch Sleeve (lower)
267199	* * * * *	Hook Saddle Oil Reservoir (left)
267212	* * * * *	Hook Saddle Oil Reservoir Gasket
267351	* * * * *	Bobbin Case Opener
267370	* * * * *	Bobbin Case Opener Driving Cam Shaft Bushing (lower)
267371	* * * * *	Bobbin Case Opener Driving Cam Shaft Bushing (upper)
271808	* * * * *	Hook Shaft Oil Filter Felt Holder Seal
412111	* * * * *	Hook Driving Pinion (spiral) with 544366 (2)
412112	* * * * *	Bobbin Case Opener Cam Shaft
412113	* * * * *	Bobbin Case Opener Driving Cam Shaft Gear (spiral) with 544366 (2)
412115	* * * * *	Pinch Sleeve (upper)
412158	* * * * *	Bobbin Case Opener Crank
412185	* * * * *	Hook Saddle (left) Complete 244084, 267053, 267199, 267212, 412111, 412112, 412113, 412158, 412186, 412187, 412246, 504010-452 (2), 514172, 514173 (2), 514320, 544346 (2), 544356 (2), 544358, 544367, 544379 (3), 544383 (2)
412186	* * * * *	Hook Saddle (left) with 267370, 267371, 416519 545080, 512727, 514165, 514166
412187	* * * * *	Bobbin Case Opener Crank Hinge Stud (left)
412246	* * * * *	Hook Shaft with 271808, 502928, 544426
416518	* * * * *	Hook Saddle Oil Gauge
416519	* * * * *	Hook Saddle Oil Gauge Sleeve
502928	* * * * *	Hook Shaft Oil Filter Felt
504010-452	* * * * *	Hook Ball Bearing Retainer Screw (2)
512727	* * * * *	Hook Saddle Oil Wick
514165	* * * * *	Hook Saddle Foam Cushion
514166	* * * * *	Hook Shaft Bushing
514172	* * * * *	Hook Saddle Cover Plate
514173	* * * * *	Hook Ball Bearing Retainer (2)
514320	* * * * *	Bobbin Case Opener Link (left)
544334	* * * * *	Hook Saddle Screw
544346	* * * * *	Hook Saddle Cover Plate Screw (2)
544356	* * * * *	Bobbin Case Opener Crank Cap Screw
544356	* * * * *	Bobbin Case Opener Link Cap Screw
544358	* * * * *	Hook Saddle Oil Regulating Screw Check Screw
544364	* * * * *	Pinch Sleeve Screw
544366	* * * * *	Bobbin Case Opener Driving Cam Shaft Gear (spiral) Set Screw (2)
544366	* * * * *	Hook Driving Pinion (spiral) Set Screw (2)
544367	* * * * *	Hook Saddle Oil Regulating Screw
544379	* * * * *	Hook Saddle Oil Reservoir Screw (3)
544383	* * * * *	Bobbin Case Opener Crank Hinge Stud (left) Screw (2)
544426	* * * * *	Hook Shaft Oil Filter Felt Holder
545080	* * * * *	Hook Saddle Oil Stop Screw
549027	* * * * *	Bobbin Case Opener Screw

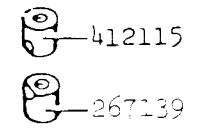


510007



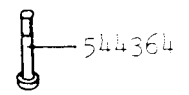
549027

510020

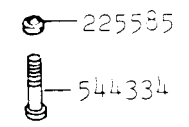


412115

267139

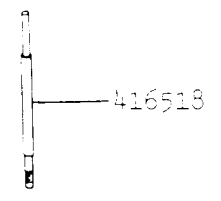


544364



225585

544334

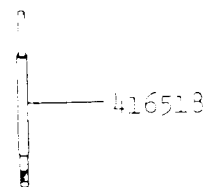
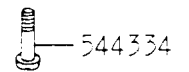
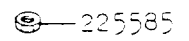
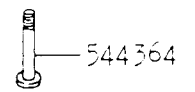
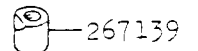
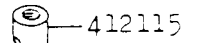
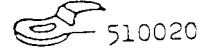
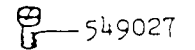
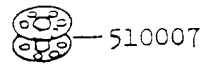
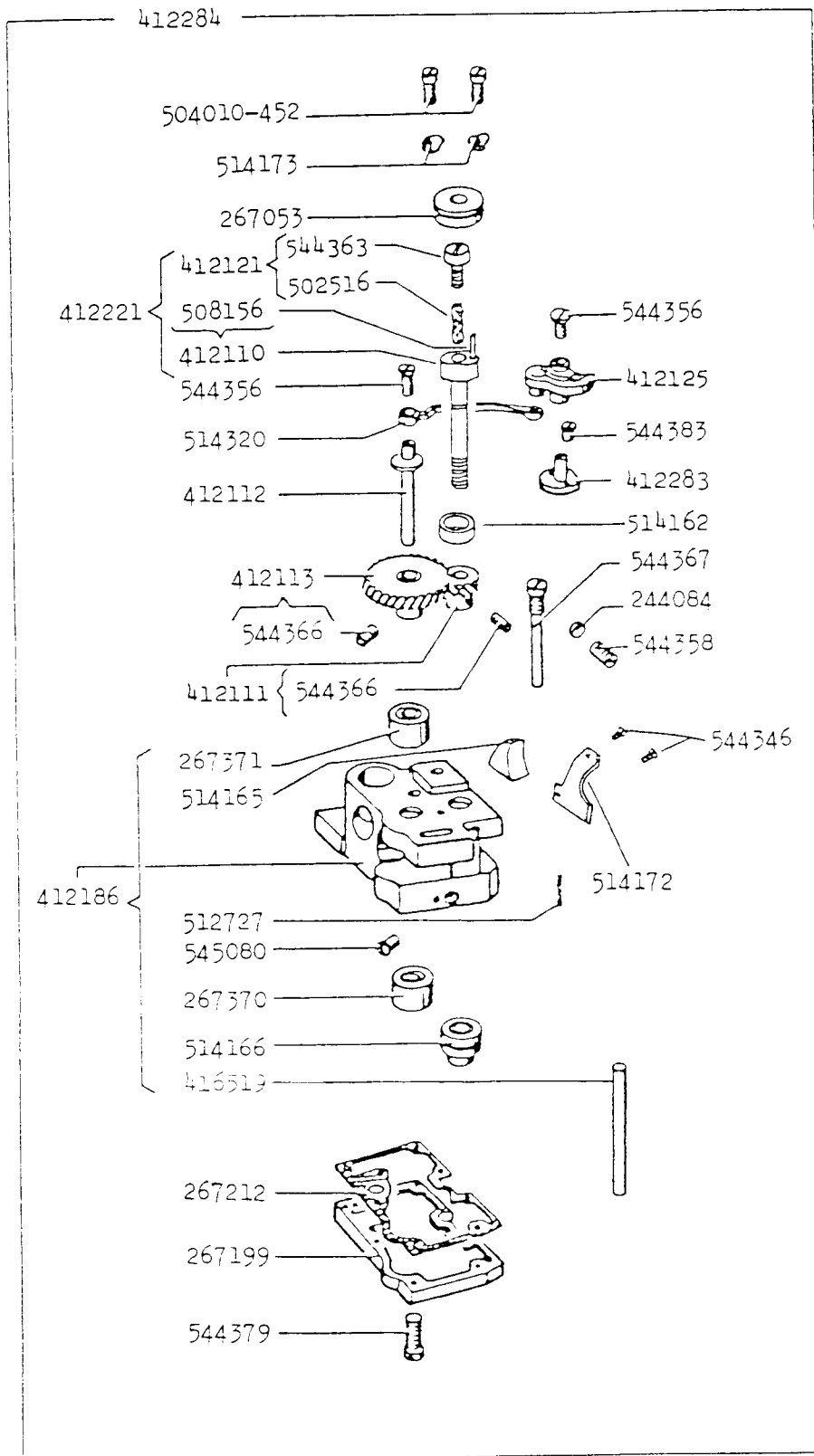


416518

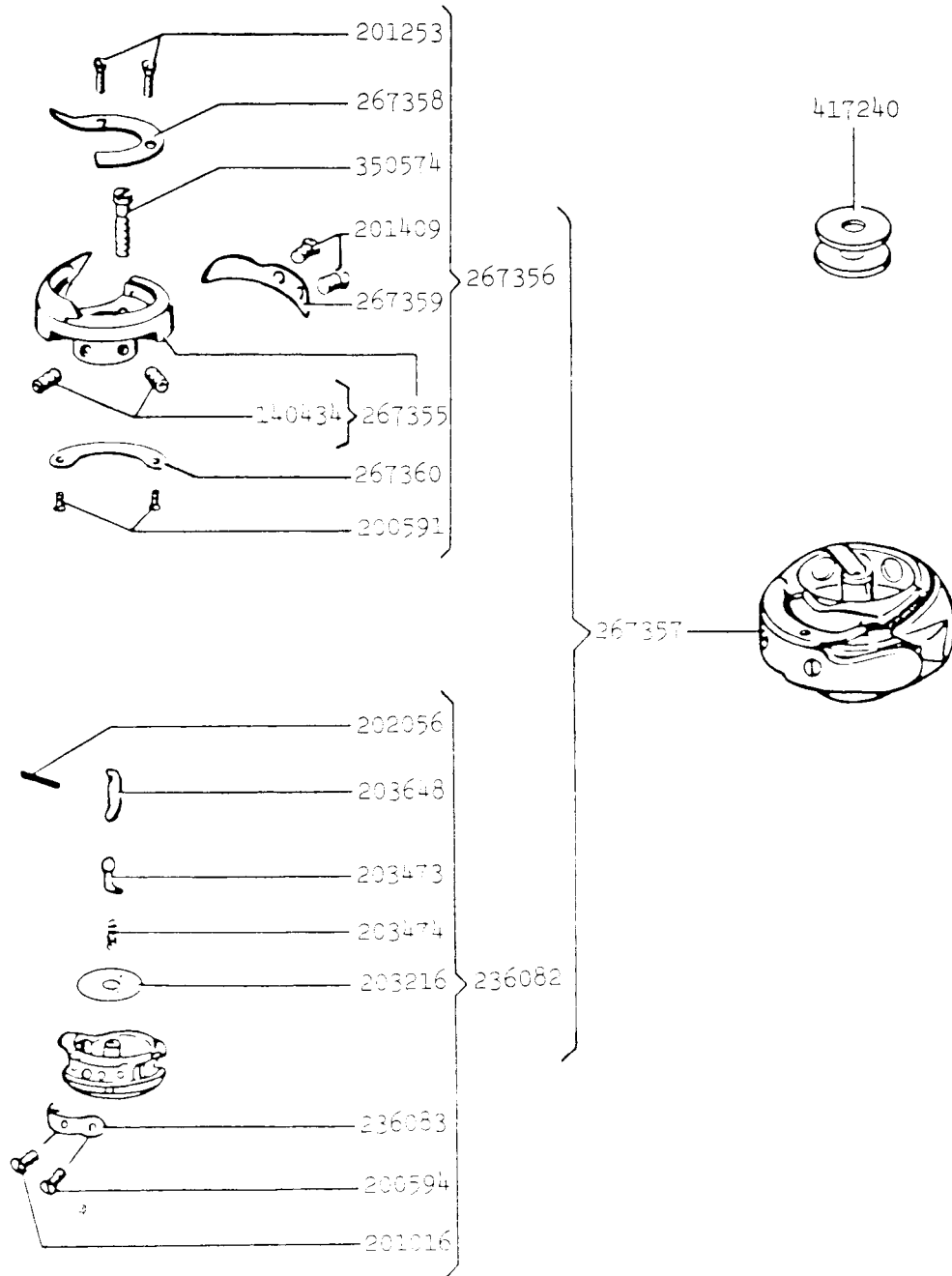


514170

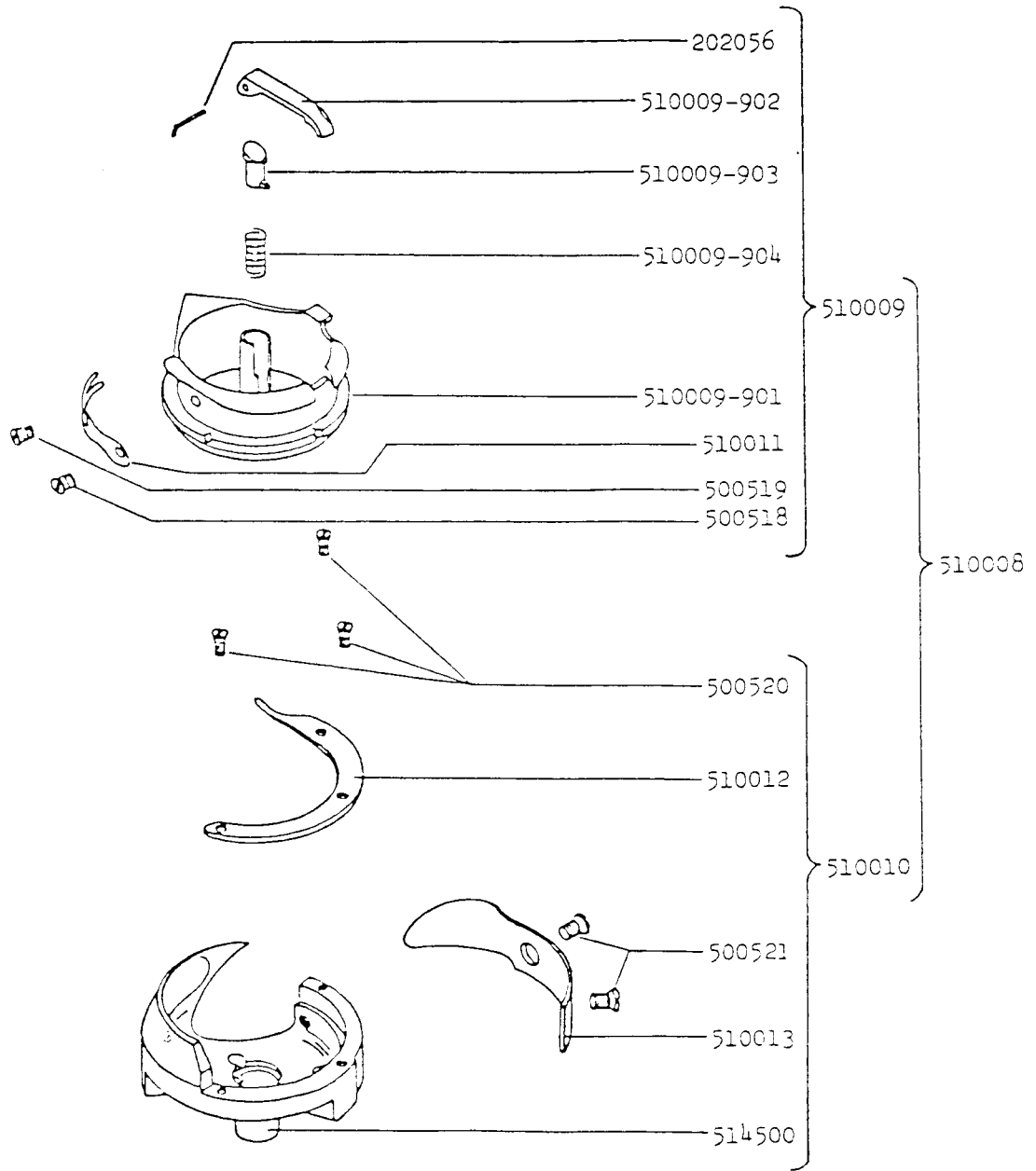
No.	212A141AA 541AA 143AA 543AA 211A157AA 166AA 566AA	Description
225585	* * * * *	Hook Saddle Screw Washer
244084	* * * * *	Hook Saddle Oil Regulating Screw Check Screw Packing
267053	* * * * *	Hook Ball Bearing
267139	* * * * *	Pinch Sleeve (lower)
267200	* * * * *	Hook Saddle Oil Reservoir
267212	* * * * *	Hook Saddle Oil Reservoir Gasket
267370	* * * * *	Bobbin Case Opener Driving Cam Shaft Bushing (lower)
267371	* * * * *	Bobbin Case Opener Driving Cam Shaft Bushing (upper)
412110	- * - * -	Hook Shaft with 508156
412111	* * * * *	Hook Driving Pinion (spiral) with 544366 (2)
412112	* * * * *	Bobbin Case Opener Cam Shaft
412113	* * * * *	Bobbin Case Opener Driving Cam Shaft Gear (spiral) with 544366 (2)
412114	- * - * -	Bobbin Case Opener Crank Hinge Stud
412115	* * * * *	Pinch Sleeve (upper)
412121	- * - * -	Hook Shaft Oil Wick Holder Complete 502516, 544363
412123	- * - * -	Hook Saddle (right) Complete 244084, 267053, 267200, 267212, 412111, 412112, 412113, 412114, 412124, 412125, 412221, 504010-452 (2), 514162, 514171, 514173 (2), 514213, 544346 (2), 544356 (2), 544358 (3), 544367, 544379 (8)
412124	* * * * *	Hook Saddle (right) with 267370, 267371, 416519, 512727, 514165, 514166, 545080
412125	- * - * -	Bobbin Case Opener Crank
412221	- * - * -	Hook Shaft, Hook Shaft Oil Wick Holder Complete 412110, 412121
416519	* * * * *	Hook Saddle Oil Gauge
416519	* * * * *	Hook Saddle Oil Gauge Sleeve
502516	- * - * -	Hook Shaft Oil Wick
504010-452	* * * * *	Hook Ball Bearing Retainer Screw (2)
508156	- * - * -	Hook Shaft Parallel Pin
510007	- * - * -	Bobbin
510020	- * - * -	Bobbin Case Opener
512727	* * * * *	Hook Saddle Oil Wick
514162	- * - * -	Spacer
514165	* * * * *	Hook Saddle Foam Cushion
514166	* * * * *	Hook Shaft Bushing
514170	- * - * -	Hook Spacer (7)
514171	* * * * *	Hook Saddle Cover Plate
514173	* * * * *	Hook Ball Bearing Retainer (2)
514213	* * * * *	Bobbin Case Opener Link
544334	* * * * *	Hook Saddle Screw
544346	* * * * *	Hook Saddle Cover Plate Screw (2)
544356	* * * * *	Bobbin Case Opener Crank Cap Screw
544356	* * * * *	Bobbin Case Opener Link Cap Screw
544358	* * * * *	Hook Saddle Oil Regulating Screw Check Screw
544358	* * * * *	Bobbin Case Opener Crank Hinge Stud Set Screw
544358	* * * * *	Bobbin Case Opener Crank Hinge Stud Set Screw Check Screw
544363	- * - * -	Hook Shaft Oil Wick Holder
544364	* * * * *	Pinch Sleeve Screw
544366	* * * * *	Bobbin Case Opener Driving Cam Shaft Gear (spiral) Set Screw (2)
544366	* * * * *	Hook Driving Pinion (spiral) Set Screw (2)
544367	* * * * *	Hook Saddle Oil Regulating Screw
544379	* * * * *	Hook Saddle Oil Reservoir Screw (8)
545080	* * * * *	Hook Saddle Oil Stop Screw
549027	* * * * *	Bobbin Case Opener Screw



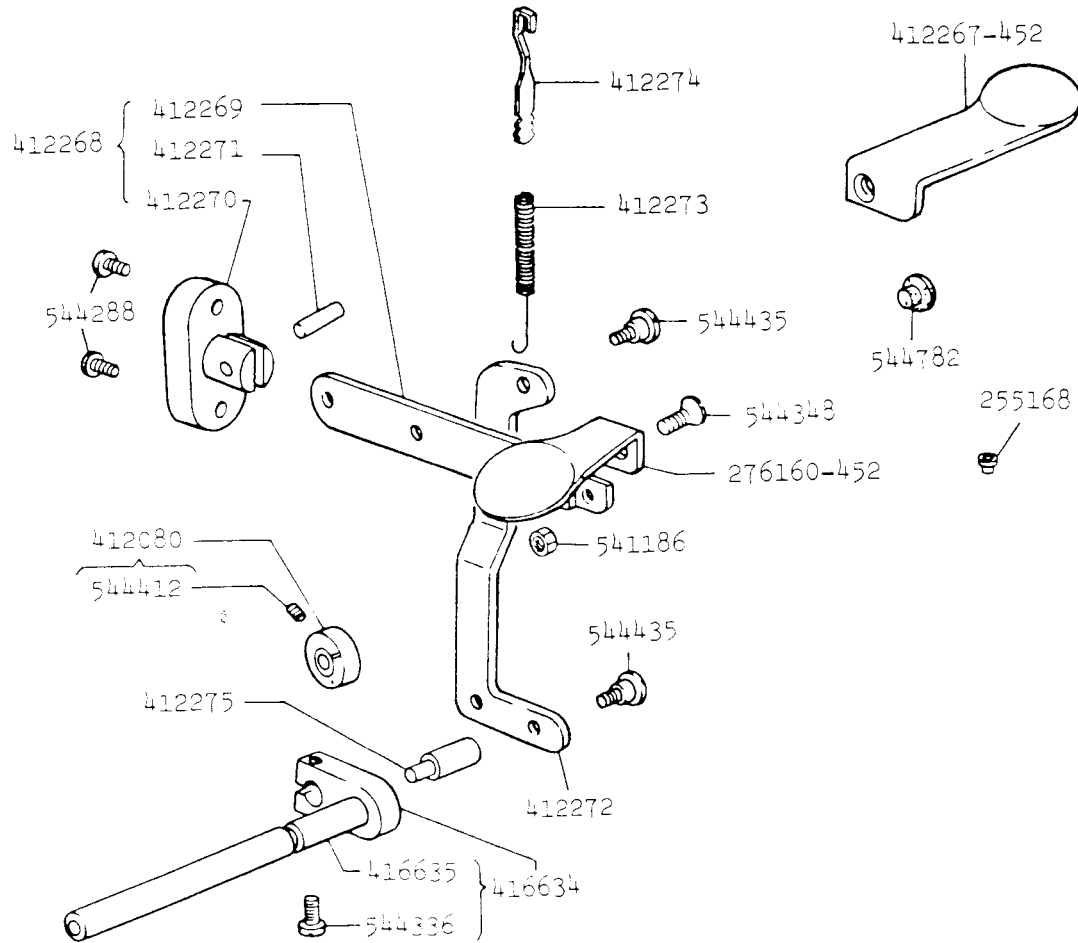
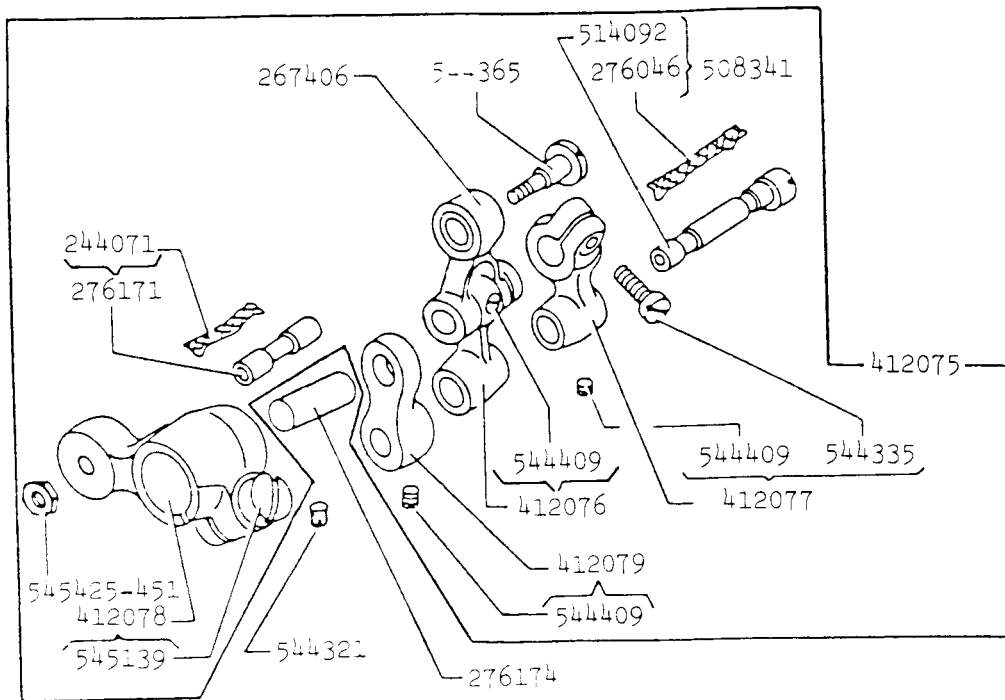
No.	212AA 141AA 541AA 143AA 543AA 211A157AA 166AA 566AA	Description
225585	* * * * *	Hook Saddle Screw Washer
244084	* * * * *	Hook Saddle Oil Regulating Screw Check Screw Packing
267053	* * * * *	Hook Ball Bearing
267139	* * * * *	Pinch Sleeve (lower)
267199	* * * * *	Hook Saddle Oil Reservoir (left)
267212	* * * * *	Hook Saddle Oil Reservoir Gasket
267370	* * * * *	Bobbin Case Opener Driving Cam Shaft Bushing (lower)
267371	* * * * *	Bobbin Case Opener Driving Cam Shaft Bushing (upper)
412110	- * - * -	Hook Shaft with 508156
412111	* * * * *	Hook Driving Pinion (spiral) with 544366 (2)
412112	* * * * *	Bobbin Case Opener Cam Shaft
412113	* * * * *	Bobbin Case Opener Driving Cam Shaft Gear (spiral) with 544366 (2)
412115	* * * * *	Pinch Sleeve (upper)
412121	- * - * -	Hook Shaft Oil Wick Holder Complete 502516, 544363
412125	- * - * -	Bobbin Case Opener Crank
412136	* * * * *	Hook Saddle (left) with 267370, 267371, 416519, 545080, 512727, 514165, 514166
412221	- * - * -	Hook Shaft, Hook Shaft Oil Wick Holder Complete 412110, 412121
412283	- * - * -	Bobbin Case Opener Crank Hinge Stud (left)
412284	- * - * -	Hook Saddle (left) Complete 244084, 267053, 267199, 267212, 412111, 412112, 412113, 412125, 412136, 412221, 412283, 504010-452 (2), 514162, 514172, 514173 (2), 514320, 544346 (2), 544356 (2), 544358, 544367, 544379 (8), 544383
416518	* * * * *	Hook Saddle Oil Gauge
416519	* * * * *	Hook Saddle Oil Gauge Sleeve
502516	- * - * -	Hook Shaft Oil Wick
504010-452	* * * * *	Hook Ball Bearing Retainer Screw (2)
508156	- * - * -	Hook Shaft Parallel Pin
510007	- * - * -	Bobbin
510020	- * - * -	Bobbin Case Opener
512727	* * * * *	Hook Saddle Oil Wick
514162	- * - * -	Spacer
514165	* * * * *	Hook Saddle Foam Cushion
514166	* * * * *	Hook Shaft Bushing
514170	- * - * -	Hook Spacer (7)
514172	* * * * *	Hook Saddle Cover Plate
514173	* * * * *	Hook Ball Bearing Retainer (2)
514320	* * * * *	Bobbin Case Opener Link (left)
544334	* * * * *	Hook Saddle Screw
544346	* * * * *	Hook Saddle Cover Plate Screw (2)
544356	* * * * *	Bobbin Case Opener Crank Cap Screw
544356	* * * * *	Bobbin Case Opener Link Cap Screw
544358	* * * * *	Hook Saddle Oil Regulating Screw Check Screw
544363	- * - * -	Hook Shaft Oil Wick Holder
544364	* * * * *	Pinch Sleeve Screw
544366	* * * * *	Bobbin Case Opener Driving Cam Shaft Gear (spiral) Set Screw (2)
544366	* * * * *	Hook Driving Pinion (spiral) Set Screw (2)
544367	* * * * *	Hook Saddle Oil Regulating Screw
544379	* * * * *	Hook Saddle Oil Reservoir Screw (8)
544383	* * * * *	Bobbin Case Opener Crank Hinge Stud (left) Screw
545080	* * * * *	Hook Saddle Oil Stop Screw
549027	* * * * *	Bobbin Case Opener Screw



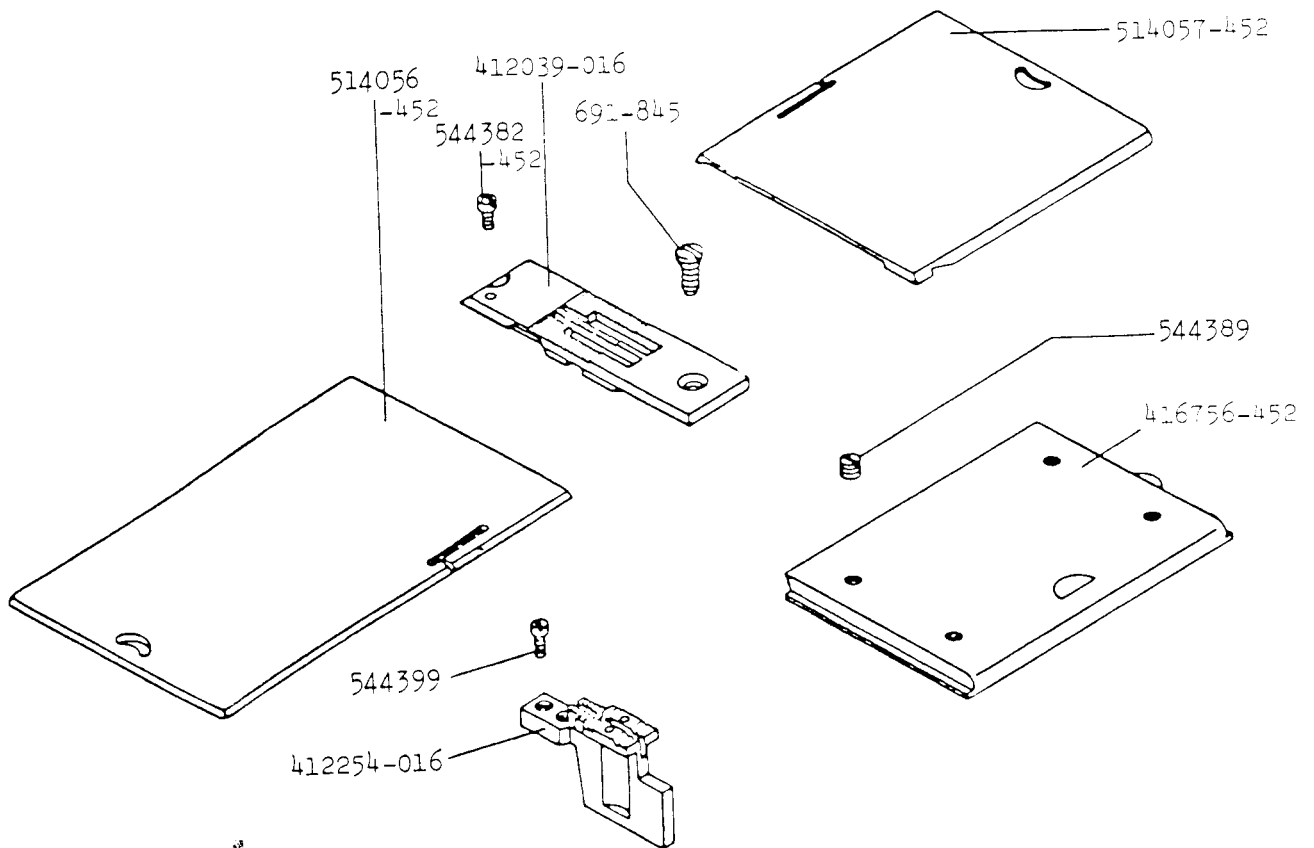
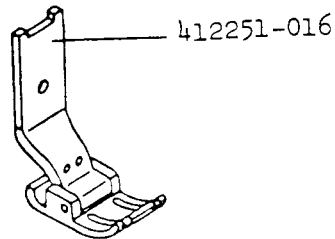
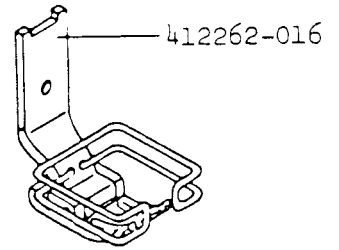
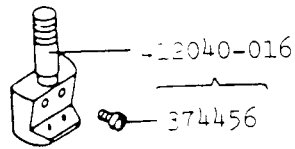
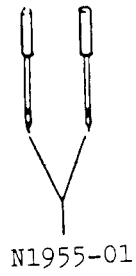
No.	212A141AA 541AA 143AA 543AA 211A157AA 166AA 566AA	Description
140434	* - * - * - -	Hook Set Screw (4)
200591	* - * - * - -	Hook Thread Guard Screw (4)
200594	* - - - * * -	Bobbin Case Tension Spring Screw (2)
201016	* - - - - - -	Bobbin Case Tension Spring Regulating Screw (2)
201253	* - * - * - -	Hook Gib Screw (4)
201409	* - * - * * -	Hook Needle Guard Screw (4)
202056	* * * * * * *	Bobbin Case Latch Pin (2)
203216	* - * - * * -	Bobbin Case Washer (cloth) (2)
203473	* - - - * * -	Bobbin Case Latch Plunger (2)
203474	* - - - * * -	Bobbin Case Latch Spring (2)
203648	* - - - * * -	Bobbin Case Latch (2)
236082	* - - - - - -	Bobbin Case (2) with 200594, 201016, 202056, 203216, 203473, 203474, 203648, 236083
236083	* - - - - - -	Bobbin Case Tension Spring (2)
267355	* - * - * - -	Hook (sewing) (2) with 140434
267356	* - * - * - -	Hook Complete (2) 200591 (2), 201253 (2), 201409 (2), 267355, 267358, 267359, 267360, 350574
267357	* - - - - - -	Hook and Bobbin Case Complete (2) 236082, 267356
267358	* - * - * - -	Hook Gib (2)
267359	* - * - * - -	Hook Needle Guard (2)
267360	* - * - * - -	Hook Thread Guard (2)
350574	* - * - * - -	Hook Height Adjusting Screw (2)
417240	* - * - * * -	Bobbin (2)



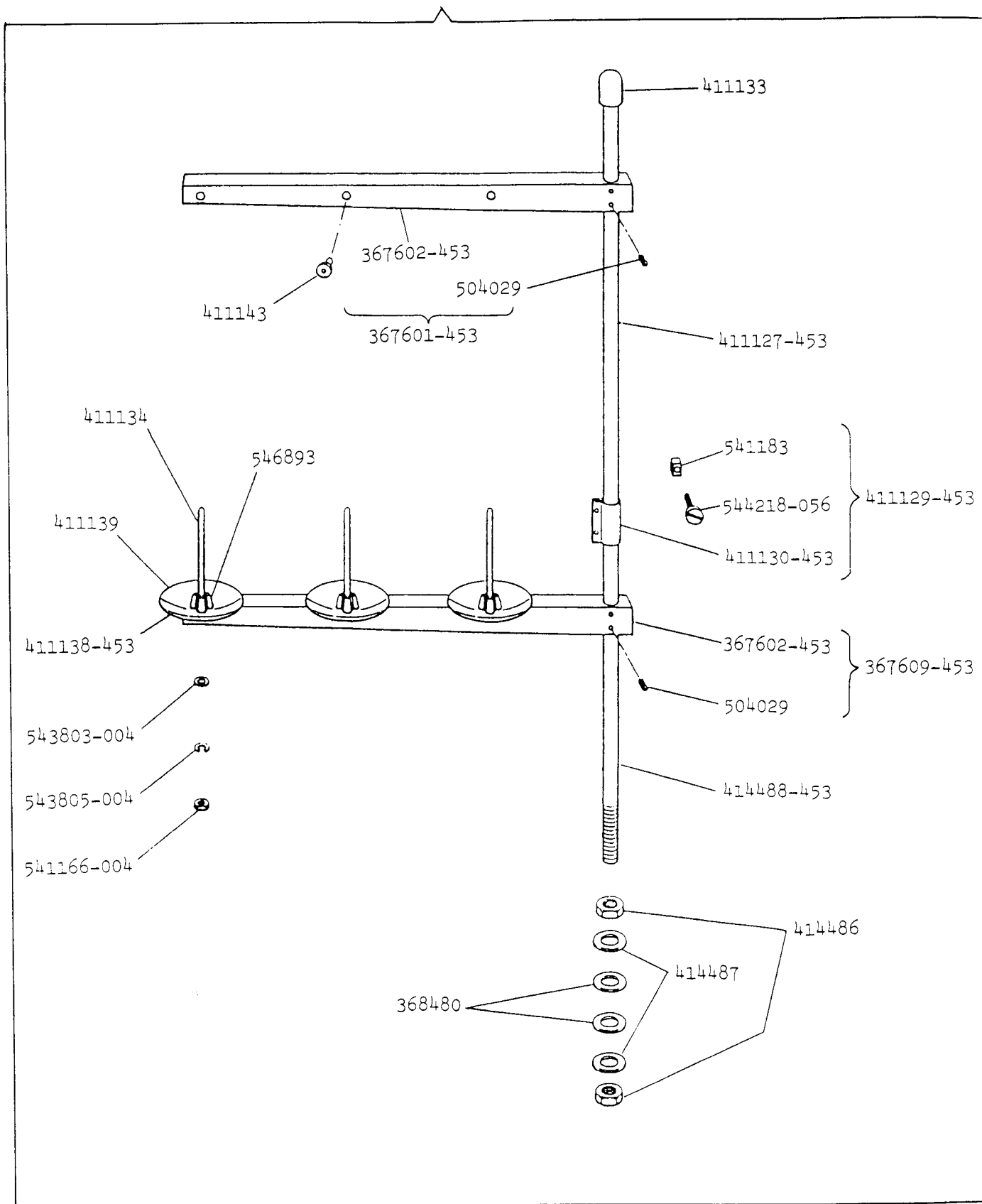
No.	212A141AA 541AA 143AA 543AA 211A157AA 166AA 566AA	Description
202056	* * * * *	Bobbin Case Latch Pin
500518	- * - * - *	Bobbin Case Tension Spring Screw
500519	- * - * - *	Bobbin Case Tension Spring Regulating Screw
500520	- * - * - *	Hook Gib Screw (3)
500521	- * - * - *	Hook Needle Guard Screw (2)
510008	- * - * - *	Hook and Bobbin Case Complete 510009, 510010
510009	- * - * - *	Bobbin Case Complete 202056, 500518, 500519, 510009-901 510009-902, 510009-903, 510009-904, 510011
510009-901	- * - - - *	Bobbin Case Body
510009-902	- * - - - *	Bobbin Case Latch
510009-903	- * - - - *	Bobbin Case Latch Plunger
510009-904	- * - - - *	Bobbin Case Latch Spring
510010	- * - * - *	Hook Complete 500520 (3), 500521 (2), 510012, 510013, 514500
510011	- * - * - *	Bobbin Case Tension Spring
510012	- * - * - *	Hook Gib
510013	- * - * - *	Hook Needle Guard
514500	- * - * - *	Hook Body



No.	212A141AA 541AA 143AA 543AA 211A157AA 166AA 566AA	Description
244071	* * * * *	Feed Driving Eccentric Connection Link Hinge Pin Oil Packing (wick)
255168	* * * * *	Bed Oil Cup (2)
267406	* * * * *	Feed Driving Eccentric Connection Link
276046	* * * * *	Feed Reversing Shaft Crank Hinge Stud Oil Packing (wick)
276160-452	* * * * *	Feed Reversing Lever Handle
276171	* * * * *	Feed Driving Eccentric Connection Link Hinge Pin with 244071
276174	* * * * *	Feed Reversing Mechanism Support Link Stud
412075	* * * * *	Reverse Feed Complete 267406, 276171, 412076, 412077, 412078, 412079, 508341, 544365, 545425-451
412076	* * * * *	Feed Reversing Shaft Crank Link with 544409
412077	* * * * *	Feed Reversing Shaft Crank with 544335, 544409
412078	* * * * *	Feed Driving Rock Shaft Crank with 545139
412079	* * * * *	Feed Reversing Mechanism Support Link with 544409
412080	* * * * *	Feed Reversing Lever Spring Collar with 544412 (2)
412267-452	* * * * *	Feed Reversing Lever Handle (optional)
412268	* * * * *	Feed Reversing Lever Complete 412269, 412270, 412271
412269	* * * * *	Feed Reversing Lever
412270	* * * * *	Feed Reversing Lever Bracket
412271	* * * * *	Feed Reversing Lever Hinge Pin
412272	* * * * *	Feed Reversing Lever Link
412273	* * * * *	Feed Reversing Lever Spring
412274	* * * * *	Feed Reversing Lever Spring Hook
412275	* * * * *	Feed Reversing Shaft Driving Stud
416634	* * * * *	Feed Reversing Shaft Complete 416635, 544336
416635	* * * * *	Feed Reversing Shaft
508341	* * * * *	Feed Reversing Shaft Crank Hinge Stud Complete 276046, 514092
514092	* * * * *	Feed Reversing Shaft Crank Hinge Stud
541186	* * * * *	Feed Reversing Lever Handle Screw Nut
544288	* * * * *	Feed Reversing Lever Bracket Screw (2)
544321	* * * * *	Feed Reversing Mechanism Support Link Stud Set Screw
544335	* * * * *	Feed Reversing Shaft Crank Pinch Screw
544336	* * * * *	Feed Reversing Shaft Driving Stud Pinch Screw
544348	* * * * *	Feed Reversing Lever Handle Screw
544365	* * * * *	Feed Driving Rock Shaft Crank Hinge Screw
544409	* * * * *	Feed Reversing Shaft Crank Hinge Stud Set Screw
544409	* * * * *	Feed Driving Eccentric Connection Link Hinge Pin Set Screw
544409	* * * * *	Feed Reversing Shaft Crank Hinge Stud Set Screw
544412	* * * * *	Feed Reversing Lever Spring Collar Set Screw (2)
544435	* * * * *	Feed Reversing Lever Hinge Screw (2)
544782	* * * * *	Arm Cap (rear)
545139	* * * * *	Feed Driving Rock Shaft Crank Pinch Screw
545425-451	* * * * *	Feed Driving Rock Shaft Crank Hinge Screw Nut



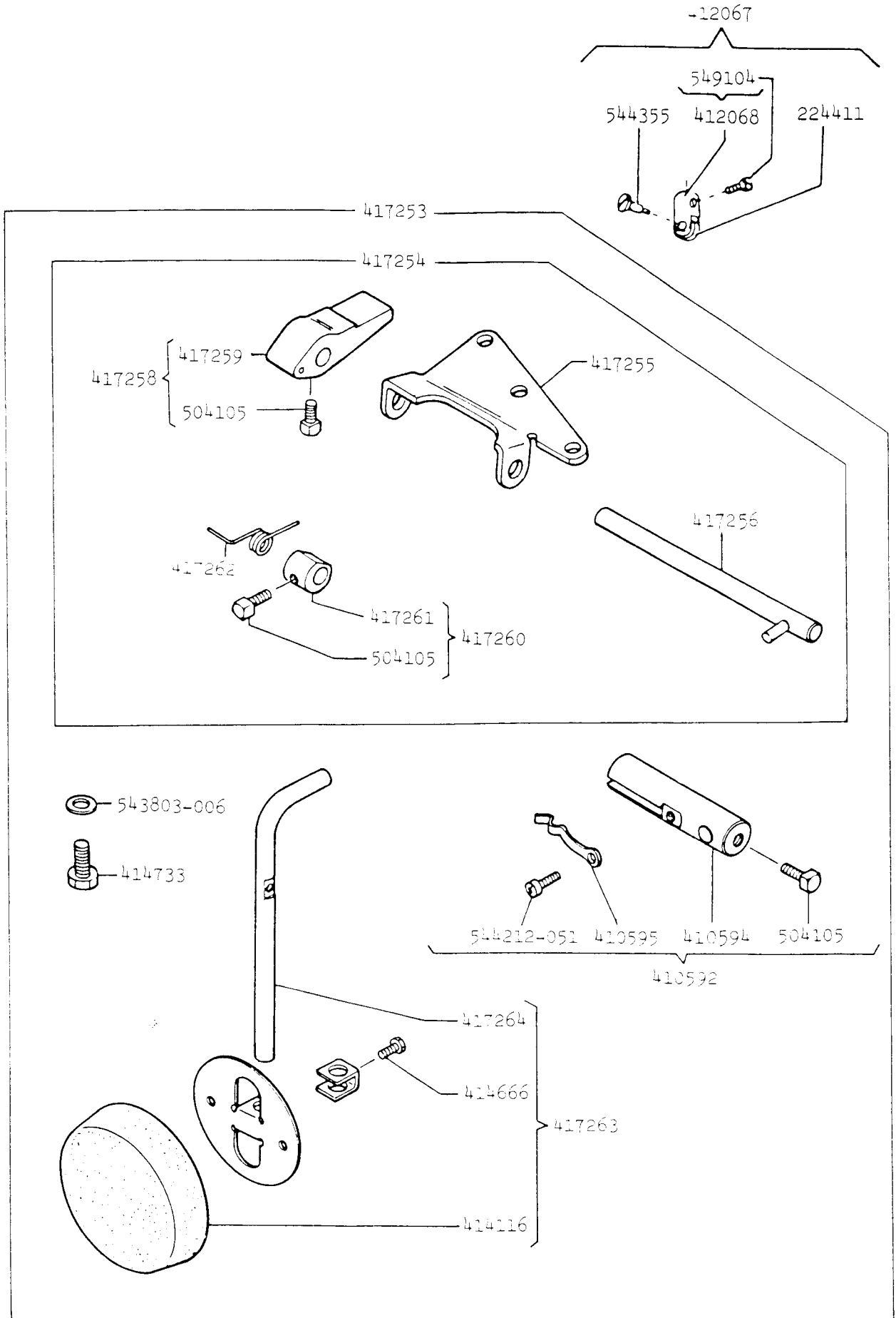
No.	212A141AA 541AA 143AA 543AA 211A157AA 166AA 566AA	Description
691-845	* * * * *	Throat Plate Screw
N1955-01	* * * * - - -	Needle (135x65 #14) (2)
374456	* * * * - - -	Needle Set Screw (2)
412039-008	* * * * - - -	Throat Plate (1/8", 3.2mm)
412039-012	* * * * - - -	Throat Plate (3/16", 4.8mm)
412039-016	* * * * - - -	Throat Plate (1/4", 6.4mm) (standard)
412039-020	* * * * - - -	Throat Plate (5/16", 7.9mm)
412039-024	* * * * - - -	Throat Plate (3/8", 9.5mm)
412039-100	* * * * - - -	Throat Plate (1", 25.4mm)
412040-008	* * * * - - -	Needle Holder with 374456 (2) (1/8", 3.2mm)
412040-012	* * * * - - -	Needle Holder with 374456 (2) (3/16", 4.8mm)
412040-016	* * * * - - -	Needle Holder with 374456 (2) (1/4", 6.4mm) (standard)
412040-020	* * * * - - -	Needle Holder with 374456 (2) (5/16", 7.9mm)
412040-024	* * * * - - -	Needle Holder with 374456 (2) (3/8", 9.5mm)
412040-100	* * * * - - -	Needle Holder with 374456 (2) (1", 25.4mm)
412251-008	* * * * - - -	Presser Foot Complete (1/8", 3.2mm)
412251-012	* * * * - - -	Presser Foot Complete (3/16", 4.8mm)
412251-016	* * * * - - -	Presser Foot Complete (1/4", 6.4mm) (standard)
412251-020	* * * * - - -	Presser Foot Complete (5/16", 7.9mm)
412251-024	* * * * - - -	Presser Foot Complete (3/8", 9.5mm)
412251-100	* * * * - - -	Presser Foot Complete (1", 25.4mm)
412266-008	* * * * - - -	Feed Dog (1/8", 3.2mm)
412266-012	* * * * - - -	Feed Dog (3/16", 4.8mm)
412266-016	* * * * - - -	Feed Dog (1/4", 6.4mm) (standard)
412266-020	* * * * - - -	Feed dog (5/16", 7.9mm)
412266-024	* * * * - - -	Feed dog (3/8", 9.5mm)
412266-100	* * * * - - -	Feed Dog (1", 25.4mm)
412262-008	* * * * - - -	Presser Foot with Finger Guard (1/8", 3.2mm)
412262-012	* * * * - - -	Presser Foot with Finger Guard (3/16", 4.8mm)
412262-016	* * * * - - -	Presser Foot with Finger Guard (1/4", 6.4mm)
412262-020	* * * * - - -	Presser Foot with Finger Guard (5/16", 7.9mm)
412262-024	* * * * - - -	Presser Foot with Finger Guard (3/8", 9.5mm)
412262-100	* * * * - - -	Presser Foot with Finger Guard (1", 25.4mm)
416756-452	* * * * - - -	Attachment Slide Plate
419608-452	* * * * - - -	Bed Slide (front) (1/8")
514056-452	* * * * - - -	Bed Slide (front) (3/16", 1/4") (standard)
419610-452	* * * * - - -	Bed Slide (front) (5/16")
419612-452	* * * * - - -	Bed Slide (front) (3/8")
419614-452	* * * * - - -	Bed Slide (front) (1")
419609-452	* * * * - - -	Bed Slide (back) (1/8")
514057-452	* * * * - - -	Bed Slide (back) (3/16", 1/4") (standard)
419611-452	* * * * - - -	Bed Slide (back) (5/16")
419613-452	* * * * - - -	Bed Slide (back) (3/8")
419615-452	* * * * - - -	Bed Slide (back) (1")
544382-452	* * * * - - -	Throat Plate Clamp Screw
544389	* * * * - - -	Attachment Slide Plate Lock Screw
544399	* * * * * * *	Feed Dog Screw (2)



No.	212A141AA 541AA 143AA 543AA 211A157AA 166AA 566AA	Description
367388-453	* * * * - - -	Thread Unwinder Complete
367601-453	* * * * - - -	Thread Hanger Complete
367602-453	* * * * - - -	Spool Holder
367602-453	* * * * - - -	Thread Hanger
367609-453	* * * * - - -	Spool Holder Complete
368480	* * * * * * *	Rubber Washer (2)
411127-453	* * * * * * *	Column Pipe (upper)
411129-453	* * * * * * *	Joint Complete
411130-453	* * * * * * *	Joint
411133	* * * * * * *	Column Pipe Cap
411134	* * * * * * *	Spool Pin (3)
411138-453	* * * * * * *	Spool Seat Disk (3)
411139	* * * * * * *	Spool Cushion (3)
411143	* * * * * * *	Thread Hanger Thread Eyelet (3)
414486	* * * * * * *	Column Pipe Lock Nut (2)
414487	* * * * * * *	Column Pipe Washer (2)
414488-453	* * * * * * *	Column Pipe (lower)
504029	* * * * * * *	Spool Holder Set Screw (2)
504029	* * * * * * *	Thread Hanger Set Screw (2)
541166-004	* * * * * * *	Spool Pin Lock Nut (3)
541183	* * * * * * *	Joint Screw Nut (2)
543803-004	* * * * * * *	Spool Pin Lock Nut Washer (3)
543805-004	* * * * * * *	Spool Pin Lock Nut Spring Washer (3)
544218-056	* * * * * * *	Joint Screw (2)
546893	* * * * * * *	Spool Guide (3)

3

3



No.	212A141AA 541AA 143AA 543AA 211A157AA 166AA 566AA	Description
224411	* * * * *	Knee Lifter Connection Lever Lifting Rod Roller
410592	* * * * *	Knee Lifter Rock Lever Joint Complete 410594, 410595, 504105, 544212-051
410594	* * * * *	Knee Lifter Rock Lever Joint Body
410595	* * * * *	Knee Lifter Rock Lever Joint Spring
412067	* * * * *	Knee Lifter Connection Lever Lifting Rod Roller Complete 224411, 412068, 544355
412068	* * * * *	Knee Lifter Connection Lever Lifting Rod Roller Bracket with 549104
414116	* * * * *	Knee Lifter Rock Lever Knee Plate Cushion
414666	* * * * *	Knee Lifter Rock Lever Knee Plate Holder Screw
414733	* * * * *	Knee Lifter Rock Shaft Bracket Bolt (2)
417253	* * * * *	Knee Lifter Complete 410592, 414733 (2), 417254, 417263, 543803-006 (2)
417254	* * * * *	Knee Lifter Rock Shaft Bracket Complete 417255, 417256, 417258, 417260, 417262
417255	* * * * *	Knee Lifter Rock Shaft Bracket
417256	* * * * *	Knee Lifter Rock Shaft
417258	* * * * *	Knee Lifter Rock Shaft Lifting Arm Complete 417259, 504105
417259	* * * * *	Knee Lifter Rock Shaft Lifting Arm
417260	* * * * *	Knee Lifter Rock Shaft Stop Complete 417261, 504105
417261	* * * * *	Knee Lifter Rock Shaft Stop
417262	* * * * *	Knee Lifter Rock Shaft Spring
417263	* * * * *	Knee Lifter Rock Lever Complete 414116, 414666, 417264
417264	* * * * *	Knee Lifter Rock Lever
504105	* * * * *	Knee Lifter Rock Shaft Lifting Arm Set Screw
504105	* * * * *	Knee Lifter Rock Shaft Stop Set Screw
504105	* * * * *	Knee Lifter Rock Lever Set Screw
543803-006	* * * * *	Knee Lifter Rock Shaft Bracket Washer (2)
544212-051	* * * * *	Knee Lifter Rock Lever Joint Spring Set Screw
544355	* * * * *	Knee Lifter Connection Lever Lifting Rod Roller Hinge Screw
549104	* * * * *	Knee Lifter Connection Lever Lifting Rod Roller Pinch Screw

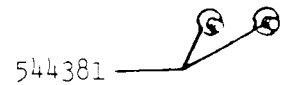
N1955-01



410186



412212



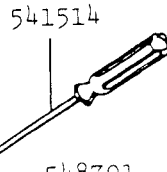
544381



540523



410571



541514

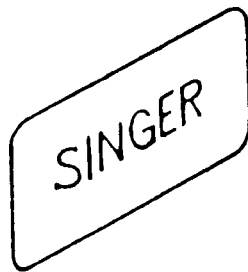
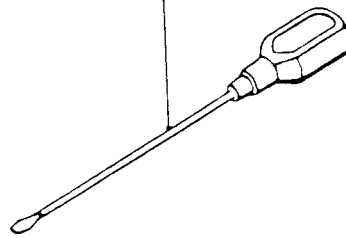


410570

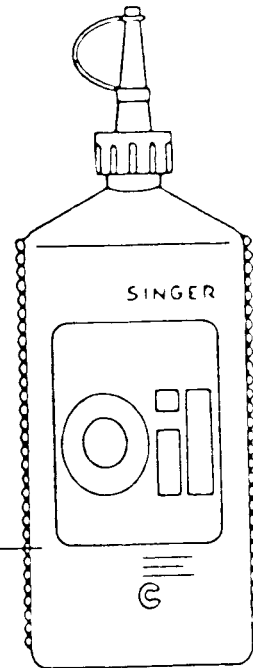
548701



546920-002



414407

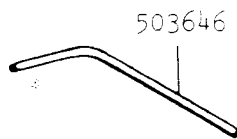


412181

417240



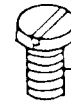
510007



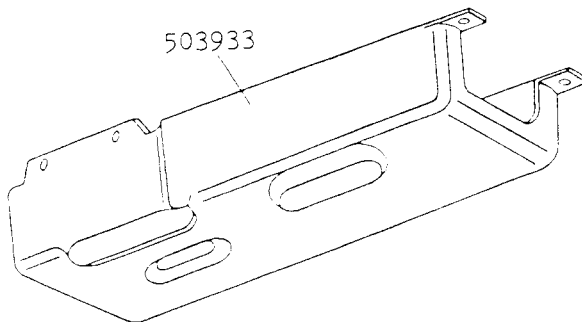
503646



545295



544388

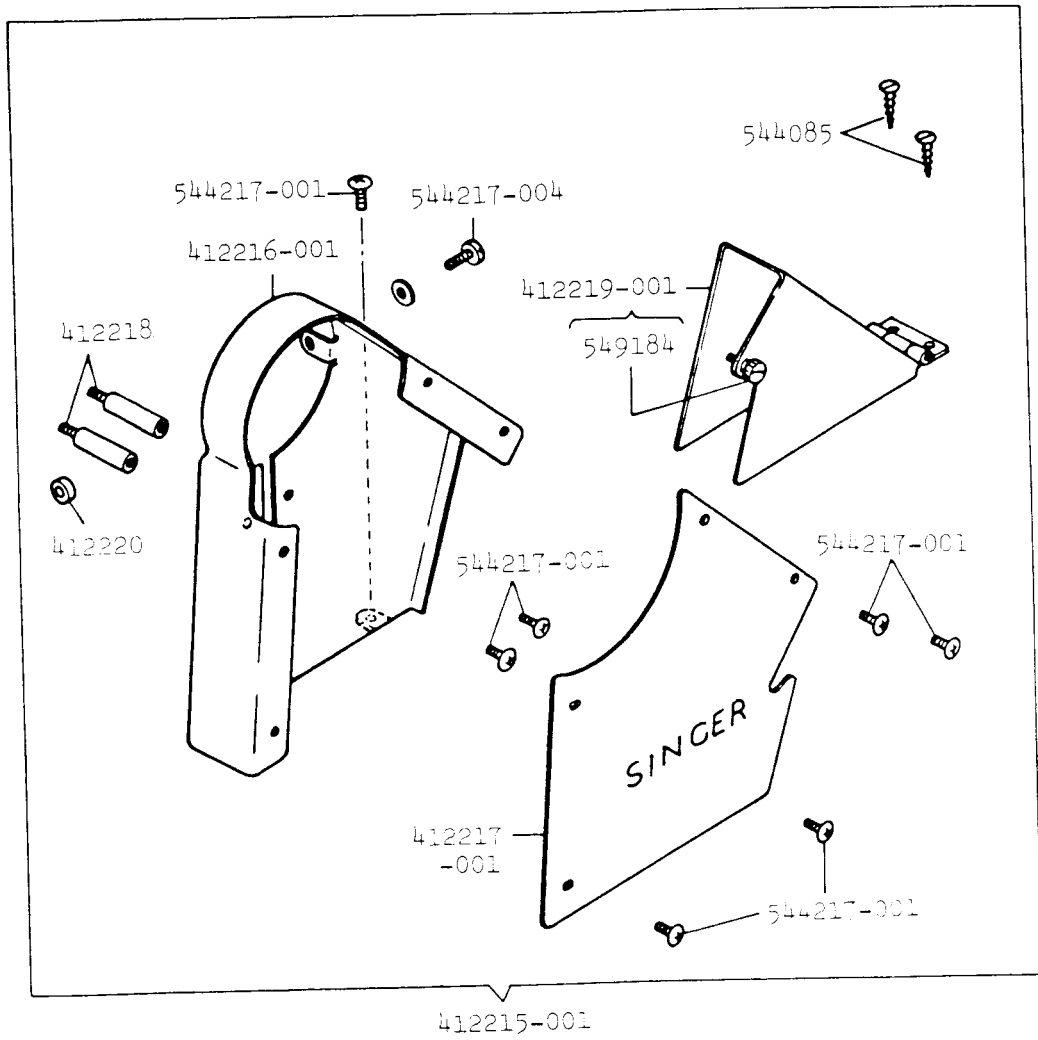


503933

350708



No.	212A141AA 541AA 143AA 543AA 211A157AA 166AA 566AA	Description
N1955-01	* - * - - - -	Needle (1955, #14) (5)
N1955-01	- * - * - - -	Needle (1955, #21) (5)
350708	* * * * * * *	Drip Pan Screw Nail (7)
410186	* * * * * * *	Machine Rest Pin
410570	* * * * * * *	Machine Rest (front) (2)
410571	* * * * * * *	Machine Rest (back) (2)
412181	* * * * * - -	Oiler (250 cc, C-type)
412212	* * * * - - -	Machine Hinge Connection (2)
414407	* * * * * * *	Machine Cover
417240	* - * - * * -	Bobbin (4)
503646	* * * * * * *	Wrench (3/32 inch, hexagon)
503933	* * * * * * *	Drip Pan
510007	- * - * - - *	Bobbin (4)
540523	* * * * * * *	Machine Hinge Connection Cushion (2)
541514	* * * * * * *	Screw Driver (small)
544381	* * * * - - -	Bed Hinge Connection Screw (4)
544388	* * * * - - -	Attachment Screw (large)
545295	* * * * * * *	Attachment Screw (small)
546920-002	* * * * * * *	Nail (4)
548701	* * * * * * *	Screw Driver (long)



No.	212A141AA 541AA 143AA 543AA 211A157AA 166AA 566AA	Description
412215-001	* * * * *	Belt Guard Cpl. 412216-001, 412217-001, 412218 (2), 412219-001, 412220, 544085 (2), 544217-001(7), 544217-004
412216-001	* * * * *	Belt Guard
412217-001	* * * * *	Belt Guard Plate
412218	* * * * *	Belt Guard Screw Stud (2)
412219-001	* * * * *	Belt Guard (lower) with 549184
412220	* * * * *	Belt Guard Screw Collar
544085	* * * * *	Belt Guard (lower) Wood Screw (2)
544217-001	* * * * *	Belt Guard Screw (3)
544217-001	* * * * *	Belt Guard Plate Screw (4)
544217-004	* * * * *	Belt Guard Screw (long)
549184	* * * * *	Belt Guard (lower) Thumb Screw