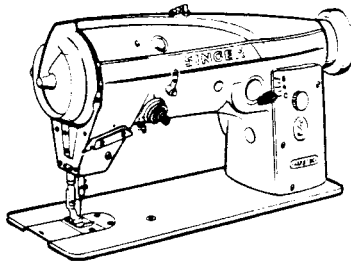


# SINGER

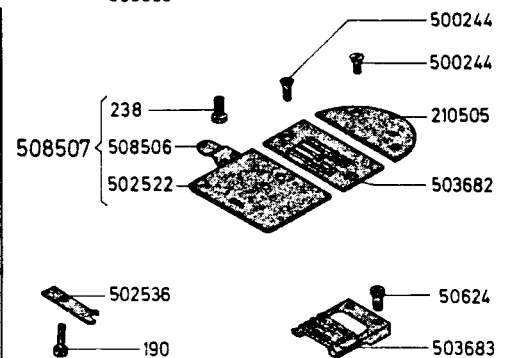
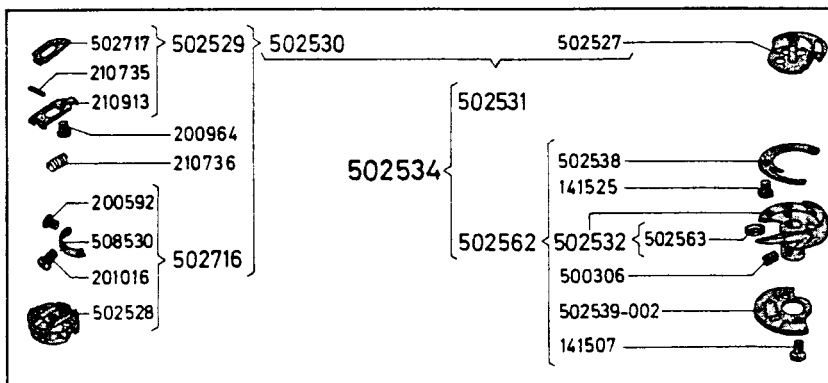
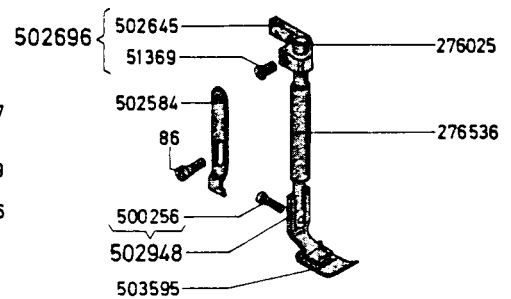
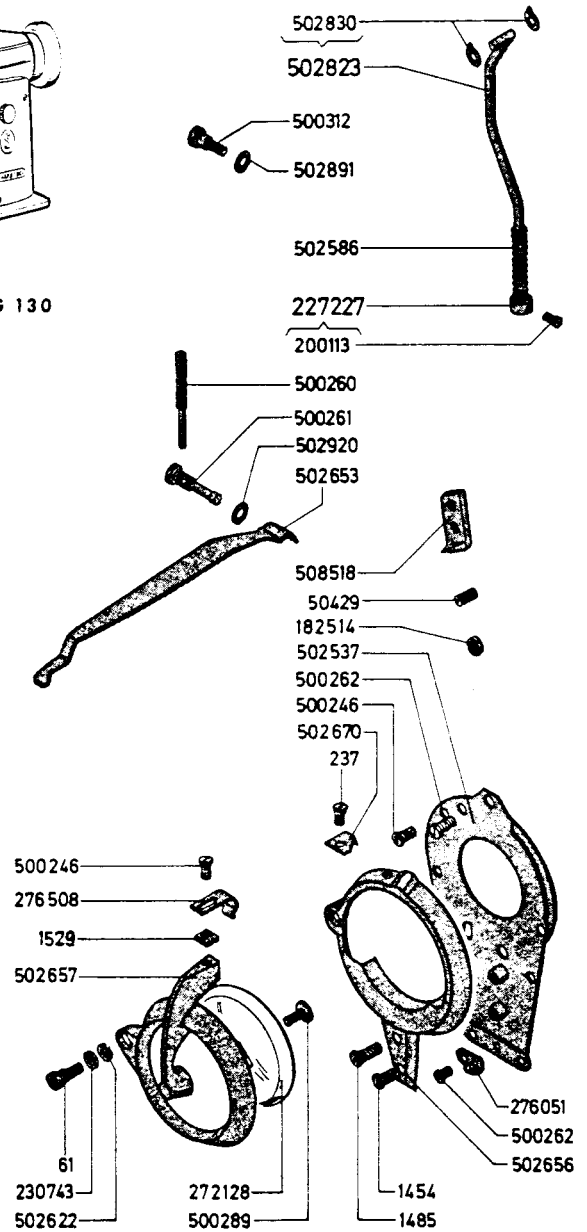
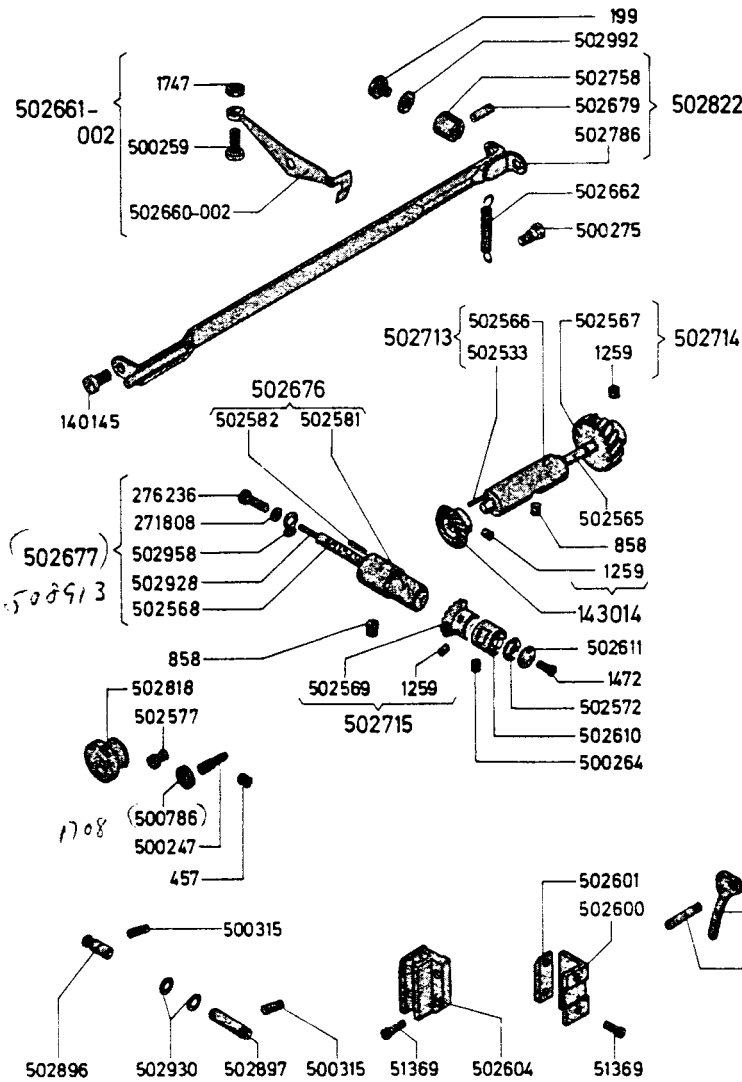
ILLUSTRATED  
PARTS LIST  
FORM - NO. 30-332 G  
(368/930)

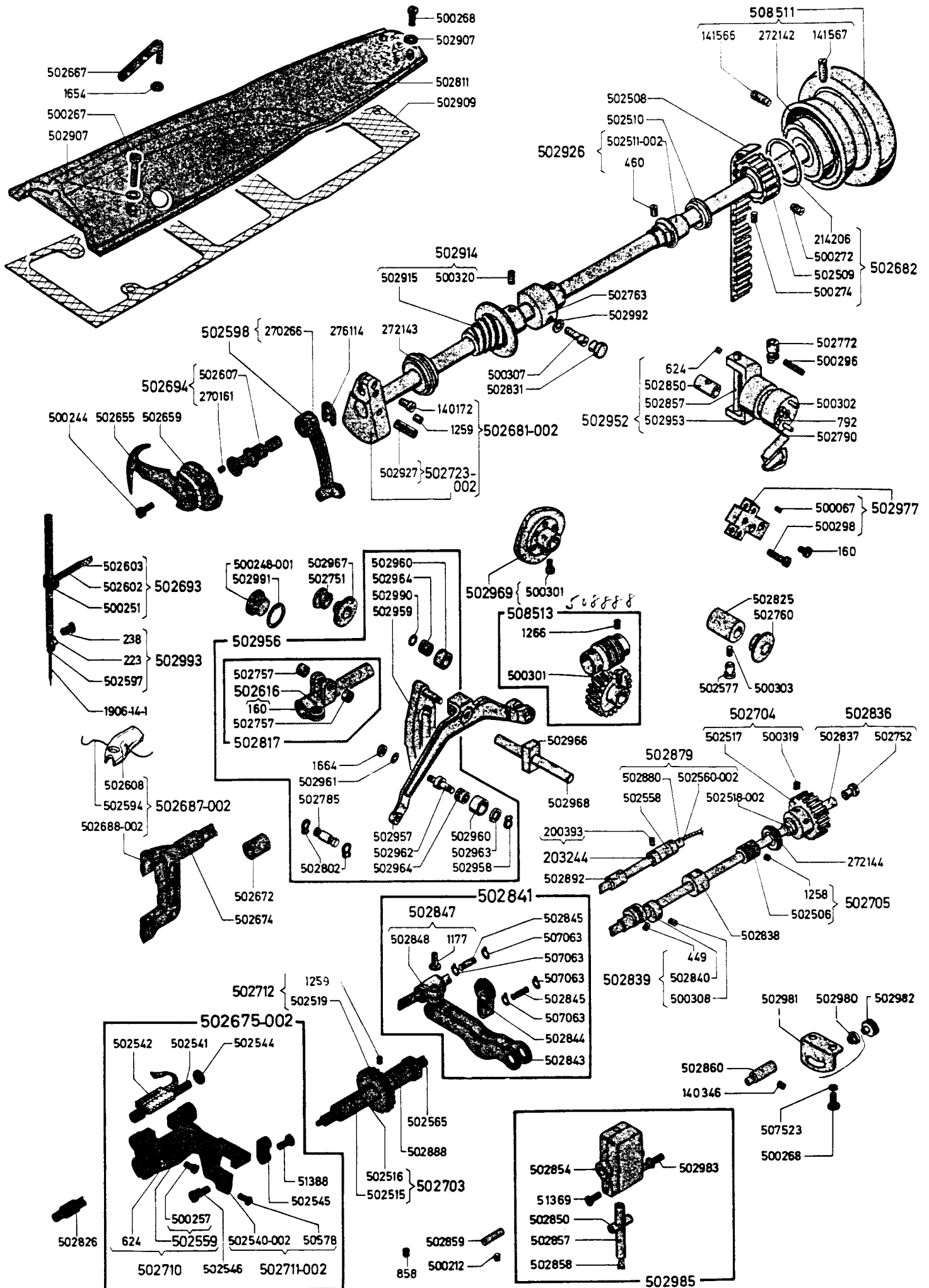
FOR MACHINES  
457 G 130, 457 G 135,  
457 G 155, 457 GX6



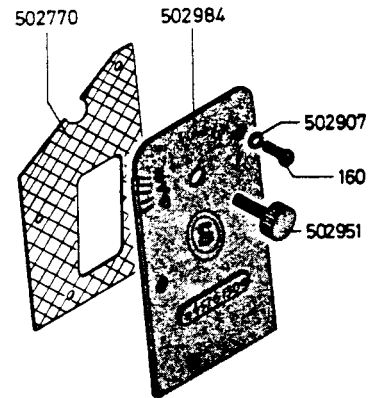
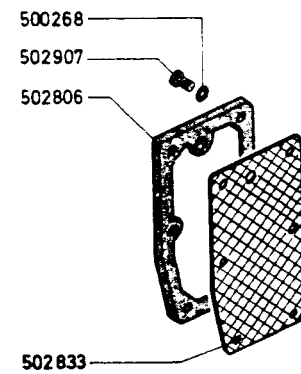
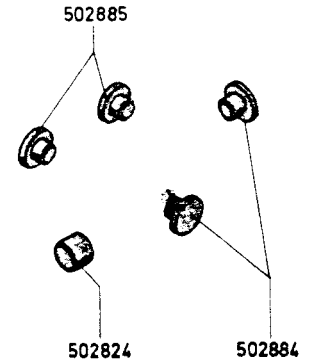
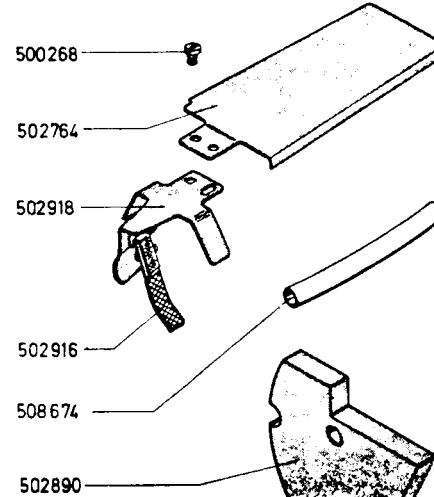
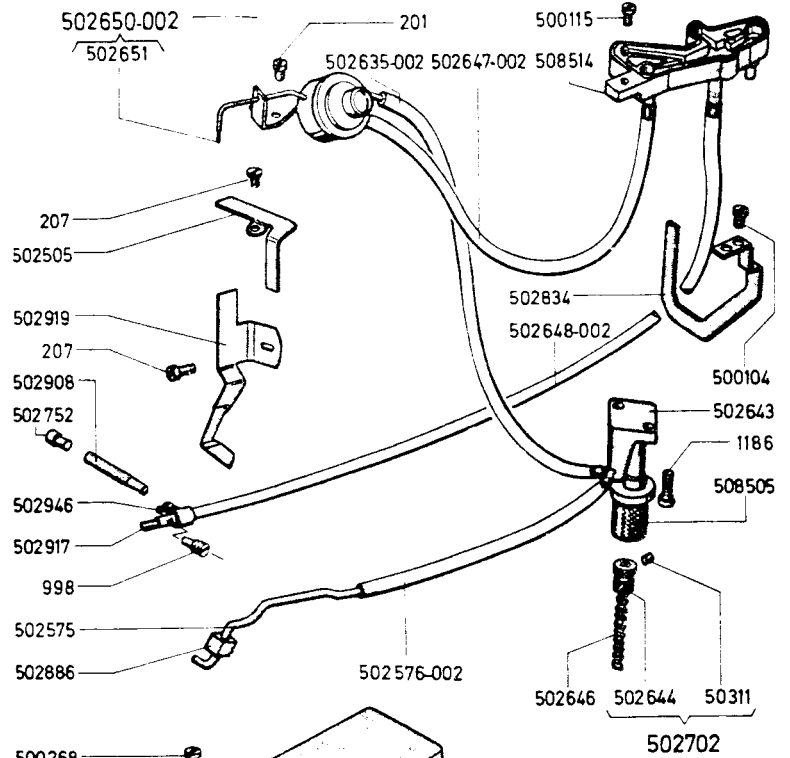
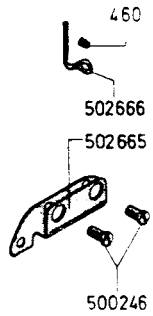
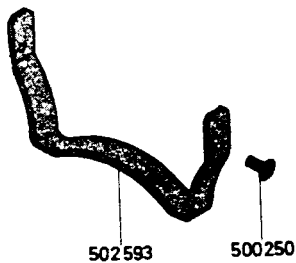
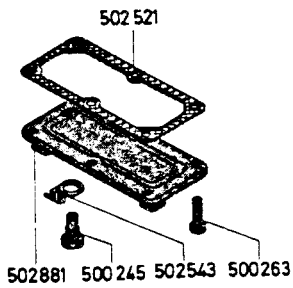
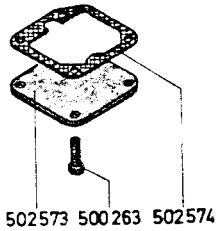
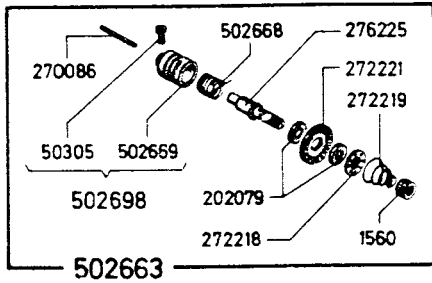
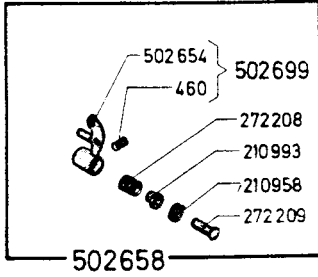
MACHINE 457 G 130

PARTS FOR MACHINES 457 G 130, 457 G 135,  
457 G 155 AND 457 GX6 (SEE NUMERICAL  
PARTS LIST ON REVERSE PAGE).





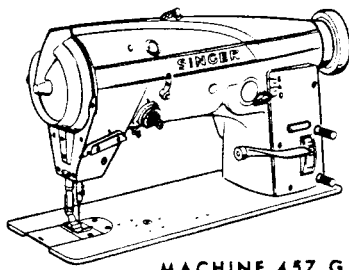
50429



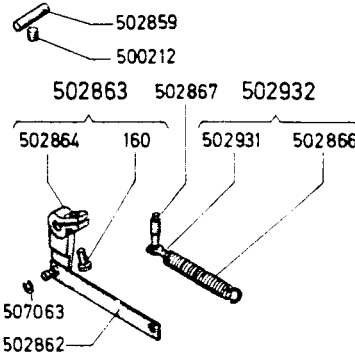
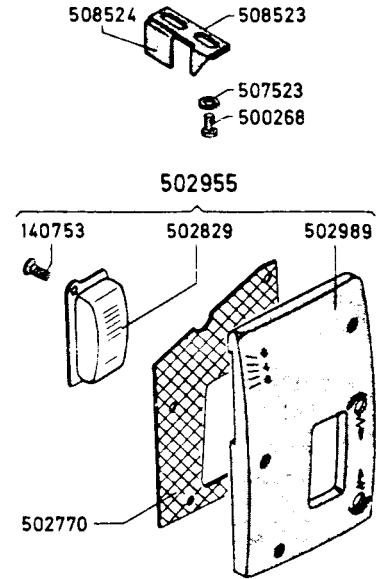
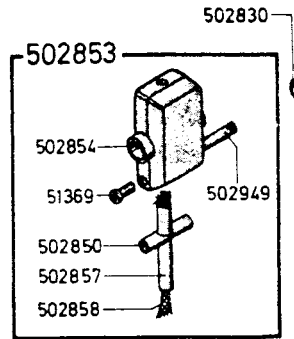
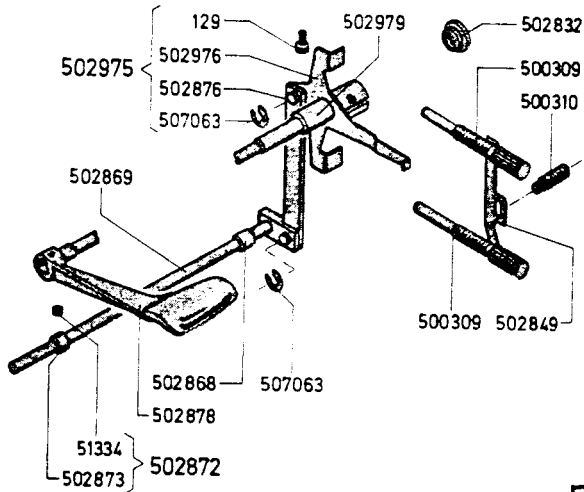
**THE SINGER COMPANY**  
Copyright © 1968 by THE SINGER COMPANY

Printed in Western Germany

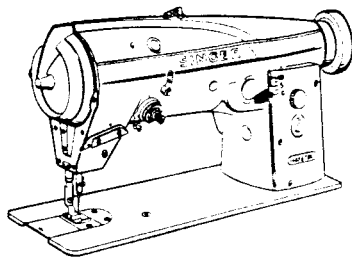
PARTS FOR MACHINE 457 G 135,  
FOR PARTS NOT ILLUSTRATED AND/OR NOT  
INDICATED BY REFERENCE NUMBERS,  
REFER TO MACHINE 457 G 130.



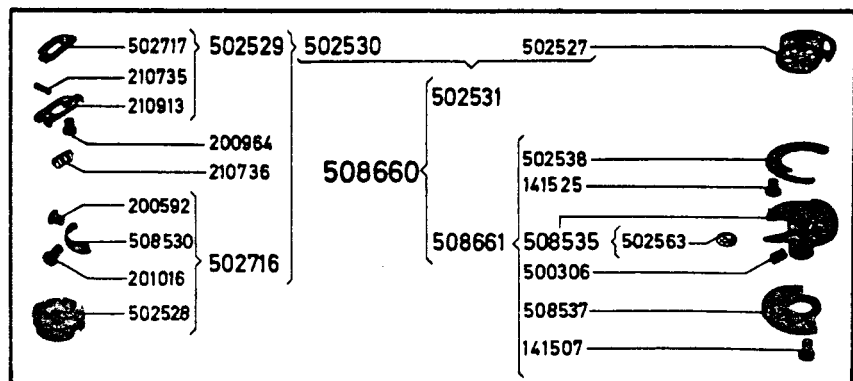
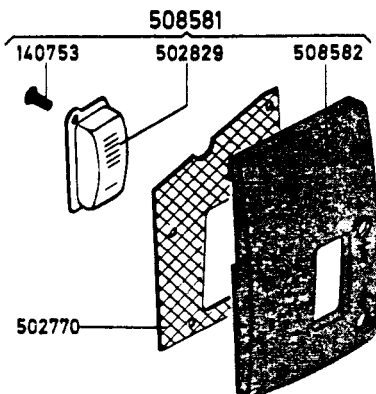
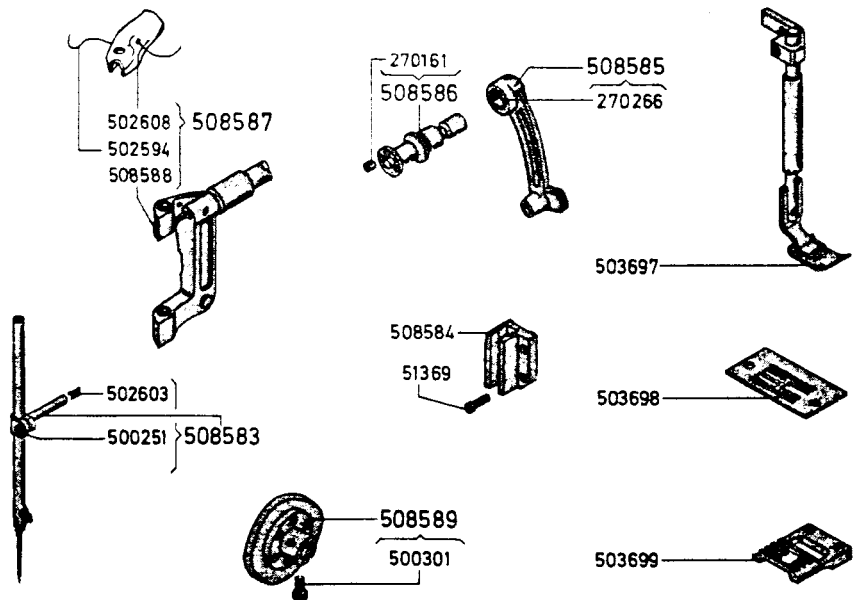
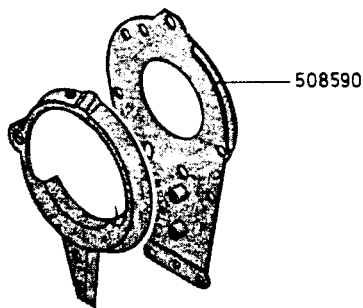
MACHINE 457 G 135

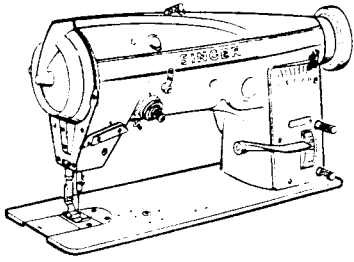


PARTS FOR MACHINE 457 GX6  
FOR PARTS NOT ILLUSTRATED AND/OR NOT  
INDICATED BY REFERENCE NUMBERS,  
REFER TO MACHINE 457 G 130 AND 457 G 135.



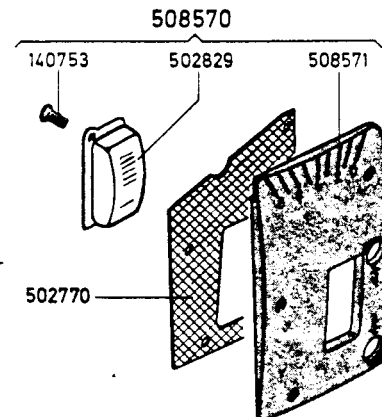
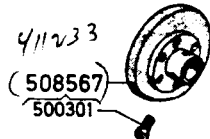
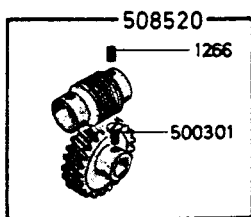
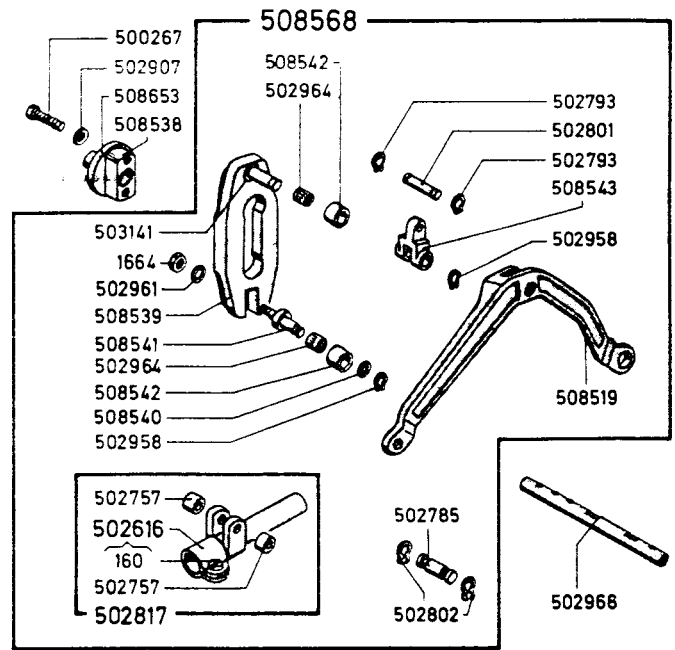
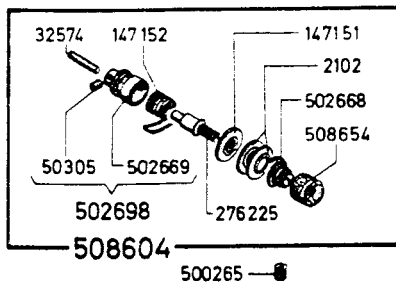
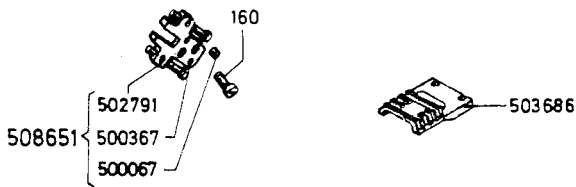
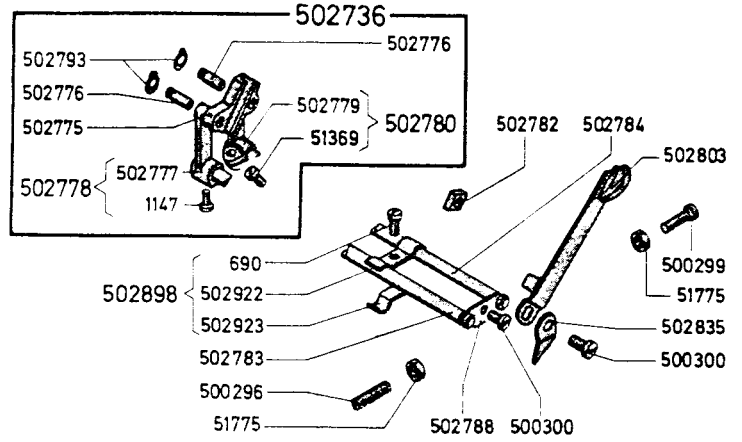
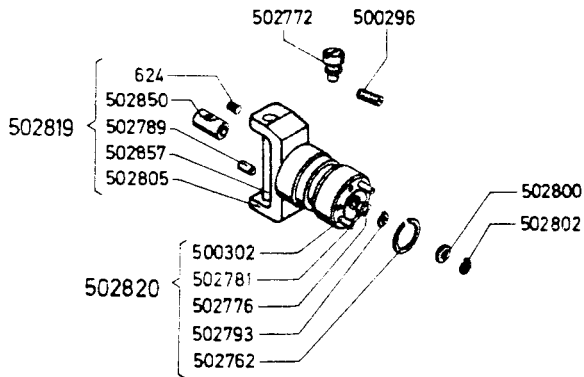
MACHINE 457 GX6

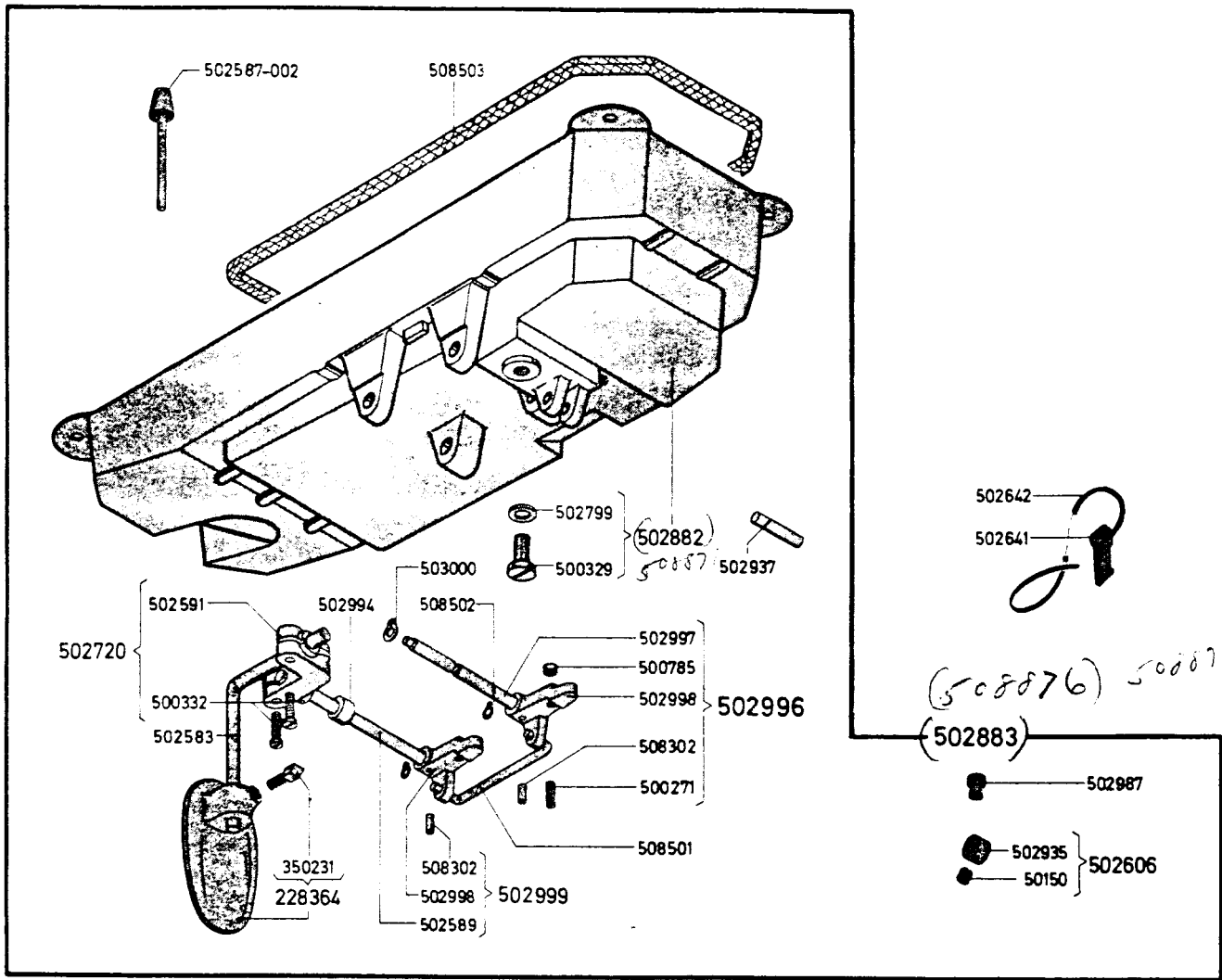




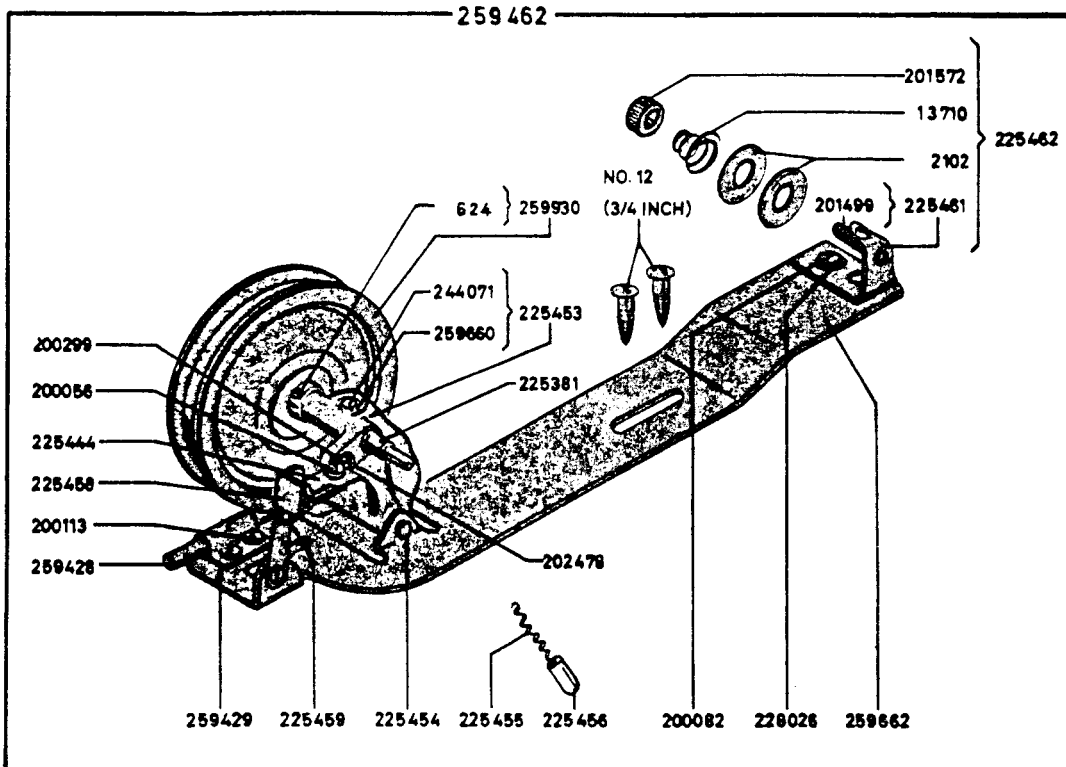
MACHINE 457 G 155

PARTS FOR MACHINE 457 G 155  
 FOR PARTS NOT ILLUSTRATED AND/OR NOT  
 INDICATED BY REFERENCE NUMBERS,  
 REFER TO MACHINE 457 G 130 AND 457 G 135.



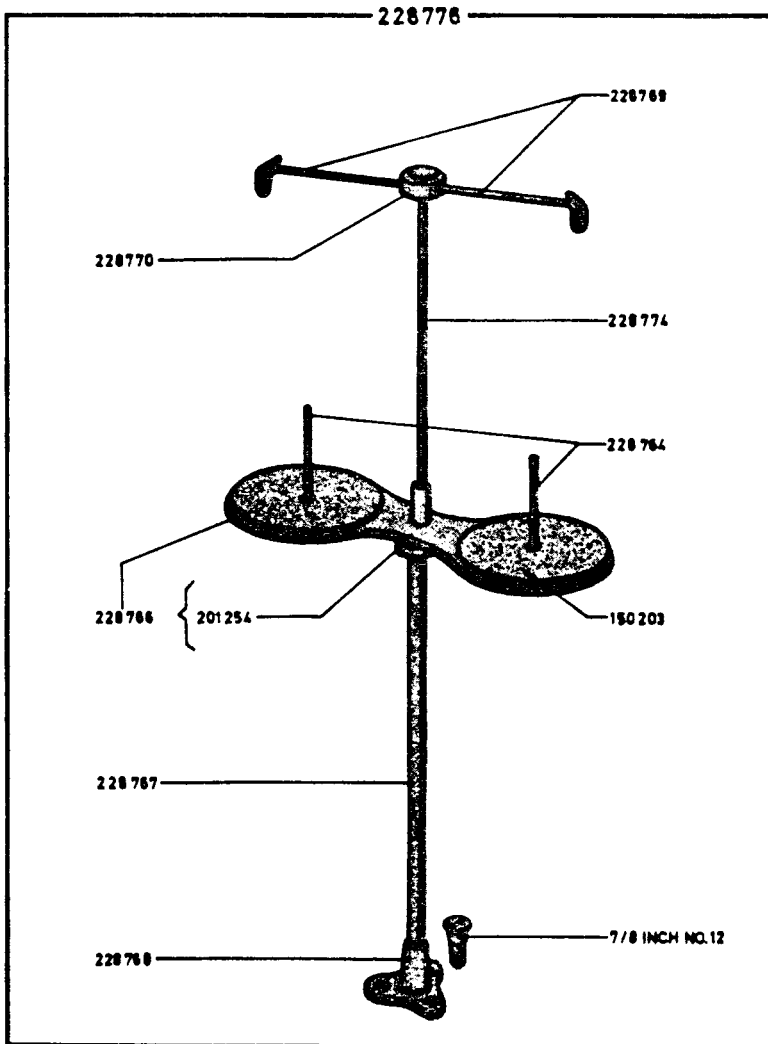


**ACCESSORIES FOR MACHINES  
457 G 130, 457 G 135, 457 G 155 AND 457 GX6**



# ACCESSORIES FOR MACHINES

## 457 G 130, 457 G 135, 457 G 155 AND 457 GX6



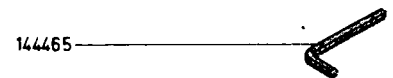
120440



225498



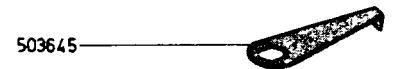
228476



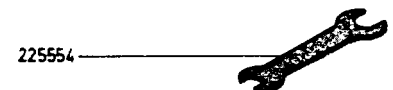
144465



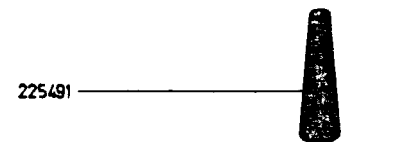
503669



503645



225554

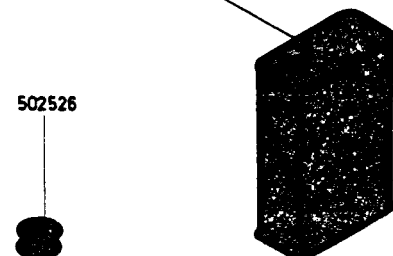


225491



503673

121741



502526

1906-12-1



1906-14-1



12361



176



231337



289



| FOR CLASS 457 G |                 | DESCRIPTION  | FOR CLASS 457 G |                 | DESCRIPTION   |
|-----------------|-----------------|--|-----------------|-----------------|---|
| PART NO.        | 130 135 155 GX6 |  | PART NO.        | 130 135 155 GX6 |   |
| NO. 12          | x x x x         | BOBBIN WINDER WOOD SCREW (3/4 INCH) (2)                                | 051775-850      | - - x -         | NEEDLE VIBRATING ADJUSTING LEVER STOP SCREW NUT (2)   |
| NO. 12          | x x x x         | THREAD UNWINDER WOOD SCREW (7/8 INCH) (3)                              | 120440          | x x x x         | SCREW DRIVER  |
| 000061-850      | x x x x         | ROTARY TAKE-UP GUARD HINGE SCREW                                       | 121741          | x x x x         | ONE QUART CAN FILLED WITH LIGHT GRADE OIL   |
| 000086-850      | x x x x         | KNEE LIFTER LIFTING LINK SCREW   | 140145-803      | x x x x         | KNEE LIFTER ROCK FRAME HINGE SCREW  |
| 000129-850      | - x x x         | FEED REGULATING SHAFT INDICATOR LEVER PINCH SCREW                      | 140172-850      | x x x x         | NEEDLE BAR CRANK STUD PINCH SCREW   |
| 000160-850      | x x x x         | ARM COVER (FRONT) SCREW (3)  | 140346-833      | x x x x         | FEED DRIVING CONNECTION CARRIER FRAME BEARING STUD (RIGHT) SET SCREW  |
| 000160-850      | x x x x         | NEEDLE BAR YOKE CONNECTING LINK HINGE BEARING PINCH SCREW              | 140753-850      | - x x x         | STITCH LENGTH INDICATOR PLATE SCREW (2)   |
| 000160-850      | x x - x         | NEEDLE POSITION ADJUSTING CAM SLIDING BLOCK BRACKET SCREW (2)          | 141507-803      | x x x x         | HOOK NEEDLE GUARD AND COUNTERBALANCE SCREW  |
| 000160-850      | - x x x         | FEED REGULATING CONNECTION SHAFT CRANK PINCH SCREW                     | 141525-806      | x x x x         | HOOK GIB SCREW (3)  |
| 000160-850      | - - x -         | NEEDLE POSITION ADJUSTING ECCENTRIC SLIDE BLOCK BRACKET SCREW (2)      | 141566-833      | x x x x         | MACHINE PULLEY POSITION SCREW   |
| 000176-850      | x x x x         | ATTACHMENT SCREW   | 141567-833      | x x x x         | MACHINE PULLEY SET SCREW  |
| 000190-850      | x x x x         | BOBBIN CASE STOP SCREW   | 143014          | x x x x         | HOOK DRIVING SHAFT BEVEL GEAR WITH TWO 1259   |
| 000199-850      | x x x x         | KNEE LIFTER ROCK FRAME HINGE STUD LOCK SCREW                           | 144465          | x x x x         | WRENCH (1/8 INCH HEXAGON)   |
| 000201-850      | x x x x         | OIL SIGHT BODY SCREW (2)   | 147151          | - - x -         | TENSION RELEASING DISC  |
| 000207-803      | x x x x         | ARM HEAD OIL DRAIN WICK CLAMP SCREW (2)                                | 147152          | - - x -         | TENSION SPRING  |
| 000223-850      | x x x x         | NEEDLE SET SCREW   | 150203          | x x x x         | THREAD UNWINDER SPOOL REST CUSHION (FELT) (2)   |
| 000237-833      | x x x x         | THREAD CUTTER (ON ROTARY TAKE-UP GUARD) SCREW                          | 182514-819      | x x x x         | THREAD CUTTER (ON FACE PLATE) ADJUSTING SCREW NUT   |
| 000238-850      | x x x x         | NEEDLE BAR THREAD GUIDE SET SCREW                                      | 200056-805      | x x x x         | BOBBIN WINDER STOP LATCH SCREW  |
| 000238-850      | x x x x         | BED SLIDE SPRING SCREW (2)   | 200082-804      | x x x x         | BOBBIN WINDER TENSION BRACKET SCREW   |
| 000289-850      | x x x x         | CLOTH GUIDE THUMB SCREW  | 200113-806      | x x x x         | BOBBIN WINDER BRAKE CLAMP SCREW   |
| 000449-830      | x x x x         | FEED DRIVING ECCENTRIC SET SCREW                                       | 200115-850      | x x x x         | KNEE LIFTER LIFTING ROD COLLAR SET SCREW  |
| 000457-830      | x x x x         | HOOK OIL BYPASS PLUG SCREW   | 200299-819      | x x x x         | BOBBIN WINDER STOP LATCH TRIP HINGE SCREW   |
| 000460-833      | x x x x         | ARM SHAFT OIL SLINGER AND PINION SET SCREW                             | 200393-833      | x x x x         | FEED DRIVING ROCK SHAFT COLLAR SET SCREW (4)  |
| 000460-833      | x x x x         | PRETENSION BRACKET SCREW   | 200592-803      | x x x x         | BOBBIN CASE CAP TENSION SPRING SCREW  |
| 000460-833      | x x x x         | THREAD PULL OFF SET SCREW  | 200964-802      | x x x x         | BOBBIN CASE LATCH STOP SCREW  |
| 000624-833      | x x - x         | NEEDLE BAR YOKE CONNECTING LINK CARRIER FRAME SLIDE STUD SET SCREW (2) | 201016-803      | x x x x         | BOBBIN CASE CAP TENSION SPRING REGULATING SCREW   |
| 000624-833      | x x x x         | FEED BAR HINGE PIN SET SCREW (2)                                       | 201254-803      | x x x x         | THREAD UNWINDER SPOOL REST SET SCREW  |
| 000624-833      | x x x x         | BOBBIN WINDER PULLEY SET SCREW   | 201499-819      | x x x x         | BOBBIN WINDER TENSION STUD  |
| 000690-850      | - - x -         | NEEDLE VIBRATING ADJUSTING SHAFT CLAMPING BRACKET PINCH SCREW          | 201572-819      | x x x x         | BOBBIN WINDER TENSION STUD THUMB NUT  |
| 000792-850      | x x - x         | NEEDLE POSITION ADJUSTING LEVER SCREW (2)                              | 202079          | x - - x         | TENSION FELT WASHER (2)   |
| 000858-833      | x x x x         | BED SHAFT BUSHING (FRONT, CENTER, BACK) SET SCREW (3)                  | 202476          | x x x x         | BOBBIN WINDER STOP LATCH TRIP LEVER   |
| 000858-833      | x x x x         | HOOK DRIVING SHAFT BUSHING SET SCREW                                   | 202244          | x x x x         | FEED DRIVING ROCK SHAFT COLLAR (2) WITH TWO EACH 200393   |
| 000858-833      | x x x x         | HOOK SHAFT PRESSURE BUSHING SET SCREW                                  | 210505          | x x x x         | BED PLATE (BACK)  |
| 000998-833      | x x x x         | OIL RETURN TUBE SCREW  | 210735          | x x x x         | BOBBIN CASE LATCH FULCRUM PIN   |
| 001147-850      | - - x -         | NEEDLE VIBRATING ADJUSTING GUIDE CRANK SET SCREW                       | 210736          | x x x x         | BOBBIN CASE LATCH SPRING  |
| 001177-850      | x x x x         | FEED DRIVING CONNECTION CRANK PINCH SCREW                              | 210913          | x x x x         | BOBBIN CASE LATCH   |
| 001186-850      | x x x x         | OIL PUMP MOUNTING SCREW (2)  | 210958          | x x x x         | PRETENSION BRACKET COLLAR   |
| 001258-830      | x x x x         | OIL PUMP DRIVING GEAR SET SCREW (2)                                    | 210993          | x x x x         | PRETENSION BRACKET SLEEVE   |
| 001259-830      | x x x x         | NEEDLE BAR CRANK STUD POSITION SCREW                                   | 214206          | x x x x         | ARM SHAFT CONNECTION BELT PULLEY SPRING FLANGE  |
| 001259-830      | x x x x         | BED SHAFT GEAR SET SCREW (2)   | 225381          | x x x x         | BOBBIN WINDER SPINDLE   |
| 001259-830      | x x x x         | HOOK DRIVING SHAFT HELICAL GEAR SET SCREW (2)                          | 225444          | x x x x         | BOBBIN WINDER STOP LATCH  |
| 001259-830      | x x x x         | HOOK DRIVING SHAFT BEVEL GEAR SET SCREW (2)                            | 225453          | x x x x         | BOBBIN WINDER FRAME WITH 244071 AND 259660  |
| 001259-830      | x x x x         | HOOK SHAFT BEVEL GEAR SET SCREW (2)                                    | 225454          | x x x x         | BOBBIN WINDER FRAME HINGE PIN   |
| 001266-830      | x x x x         | NEEDLE VIBRATING WORM WHEEL SET SCREW (4)                              | 225455          | x x x x         | BOBBIN WINDER FRAME SPRING  |
| 001349-850      | x x x x         | PRESSER BAR LIFTER HINGE SCREW   | 225456          | x x x x         | BOBBIN WINDER FRAME SPRING PLUNGER  |
| 001454-850      | x x x x         | ROTARY TAKE-UP GUARD SCREW (SHORT)                                     | 225458          | x x x x         | BOBBIN WINDER STOP LATCH THUMB LEVER  |
| 001472-850      | x x x x         | HOOK SHAFT BUSHING (FRONT) SET SCREW (3)                               | 225459          | x x x x         | BOBBIN WINDER STOP LATCH THUMB LEVER HINGE AND JOINT STUD (2)   |
| 001485-850      | x x x x         | ROTARY TAKE-UP GUARD SCREW (LONG)                                      | 225461          | x x x x         | BOBBIN WINDER TENSION BRACKET WITH 201499   |
| 001529-850      | x x x x         | SPRING CATCH SCREW NUT   | 225462          | x x x x         | BOBBIN WINDER TENSION BRACKET WITH 13710, 201572, 225461 AND TWO 2102   |
| 001560-850      | x x - x         | TENSION THUMB NUT  | 225491          | x x x x         | MACHINE REST PIN (WOOD)   |
| 001654-850      | x x x x         | THREAD RETAINER LOCK NUT   | 225498          | x x x x         | SCREW DRIVER  |
| 001664-850      | x x x x         | NEEDLE VIBRATING CAM ROLLER STUD NUT                                   | 225554          | x x x x         | WRENCH  |
| 001747-850      | x x x x         | TENSION RELEASER ADJUSTING SCREW LOCK NUT                              | 227227          | x x x x         | KNEE LIFTER LIFTING ROD COLLAR WITH 200113  |
| 1906-12-1       | x x x x         | NEEDLE (3)   | 228026          | x x x x         | BOBBIN WINDER TENSION BRACKET SCREW WASHER  |
| 1906-14-1       | x x x x         | NEEDLE (1-2)   | 228364          | x x x x         | KNEE LIFTER KNEE PLATE WITH 350251  |
| 002102          | - - x -         | TENSION DISC (2)   | 228476          | x x x x         | SCREW DRIVER (BOBBIN CASE)  |
| 002102          | x x x x         | BOBBIN WINDER TENSION DISC (2)   | 228764          | x x x x         | THREAD UNWINDER SPOOL PIN (2)   |
| 012361          | x x x x         | MACHINE HINGE CONNECTION (2)   | 228766          | x x x x         | THREAD UNWINDER SPOOL REST WITH 201254  |
| 013710          | x x x x         | BOBBIN WINDER TENSION SPRING   | 228767          | x x x x         | THREAD UNWINDER SPOOL REST ROD  |
| 032574          | - - x -         | TENSION RELEASING PIN  | 228768          | x x x x         | THREAD UNWINDER SPOOL STAND   |
| 050150-833      | x x x x         | FEED REVERSING FOOT CONTROL LEVER PIN COLLAR SET SCREW                 | 228769          | x x x x         | THREAD UNWINDER THREAD GUIDE (2)  |
| 050305-850      | x x x x         | TENSION STUD SET SCREW   | 228770          | x x x x         | THREAD UNWINDER THREAD GUIDE HOLDER   |
| 050311-830      | x x x x         | OIL PUMP GEAR SET SCREW (2)  | 228774          | x x x x         | THREAD UNWINDER THREAD GUIDE ROD  |
| 050429-833      | x x x x         | PRETENSION BRACKET SCREW   | 228776          | x x x x         | THREAD UNWINDER CPL. (FOR TWO SPOOLS) 228766, 228767, 228768, 228770, 228774, TWO EACH 150203, 228764, 228769 AND THREE WOOD SCREWS NO. 12 (3/8 INCH)   |
| 050429-833      | x x x x         | THREAD CUTTER (ON FACE PLATE) ADJUSTING SCREW                          | 230743          | x x x x         | HINGE SCREW THRUST WASHER   |
| 050578-850      | x x x x         | FEED BAR LIFTING LINK HINGE PIN PINCH SCREW                            | 231337          | x x x x         | CLOTH GUIDE   |
| 050624-830      | x x x x         | FEED DOG SCREW (2)   | 244071          | x x x x         | BOBBIN WINDER FRAME OIL PACKING (WICK)  |
| 051334-830      | - x x x         | FEED REGULATING CONNECTION SHAFT COLLAR SET SCREW (2)                  | 259428          | x x x x         | BOBBIN WINDER BRAKE (LEATHER)   |
| 051369-850      | - - x -         | NEEDLE VIBRATING ADJUSTING CRANK PINCH SCREW                           | 259429          | x x x x         | BOBBIN WINDER BRAKE CLAMP   |
| 051369-850      | x x x x         | NEEDLE BAR CONNECTING STUD GUIDE BLOCK SCREW (2)                       | 259462          | x x x x         | UNIVERSAL BOBBIN WINDER CPL. 200056, 200082, 200113, 200299, 202478, 225381, 225444, 225453 TO 225456, 225458, 225462, 228026, 259428, 259429, 259662, 259930, TWO EACH 225459 AND WOOD SCREW NO. 12 (3/4 INCH) |
| 051369-850      | x x x x         | NEEDLE BAR CONNECTING LINK CLAMPING PLATE SCREW (2)                    | 259660          | x x x x         | BOBBIN WINDER FRAME OIL WELL WASHER   |
| 051369-850      | x x x x         | PRESSER BAR POSITION GUIDE PINCH SCREW                                 | 259662          | x x x x         | BOBBIN WINDER AND TENSION BRACKET BASE  |
| 051369-850      | x x x x         | FEED DRIVING CONNECTION CARRIER FRAME SLIDE STUD SET SCREW             | 259930          | x x x x         | BOBBIN WINDER PULLEY WITH 624   |
| 051388-850      | x x x x         | FEED BAR LIFTING LINK HINGE PIN CAP SCREW                              | 270086          | x x - x         | TENSION RELEASING PIN   |
|                 |                 |  | 270161          | x x x x         | NEEDLE BAR CRANK STUD PIN   |
|                 |                 |  | 270266          | x x x x         | NEEDLE BAR CONNECTING LINK NEEDLE BEARING   |
|                 |                 |  | 271808          | x x x x         | HOOK SHAFT OIL FILTER WICK HOLDER SEAL  |
|                 |                 |  | 272128          | x x x x         | ROTARY TAKE-UP GUARD COVER WINDOW   |



| FOR CLASS 457 G<br>130 135 155 GX6 |         | DESCRIPTION  | FOR CLASS 457 G<br>130 135 155 GX6 |         | DESCRIPTION  |
|------------------------------------|---------|--|------------------------------------|---------|--|
| PART NO.                           |         |  | PART NO.                           |         |  |
| 272142                             | x x x x | MACHINE PULLEY BALL BEARING  | 500329-850                         | x x x x | MACHINE BASE AND OIL RESERVOIR<br>PLUG SCREW                                 |
| 272143                             | x x x x | ARM SHAFT BALL BEARING   | 500332-850                         | x x x x | KNEE LIFTER ROCK SHAFT HUB PINCH SCREW (2)                                   |
| 272144                             | x x x x | BED SHAFT BALL BEARING   | 500367-850                         | - - x - | NEEDLE POSITION ADJUSTING ECCENTRIC<br>STOP SCREW (2)                        |
| 272208                             | x x x x | PRETENSION BRACKET SPRING  | 500785-850                         | x x x x | KNEE LIFTER CONTROL SHAFT CRANK STOP<br>SCREW NUT                            |
| 272209                             | x x x x | TENSION BRACKET STUD   | 500786-850                         | x x x x | HOOK OIL BYPASS PLUG SCREW NUT   |
| 272218                             | x x - x | TENSION RELEASE DISC   | 502505                             | x x x x | ARM HEAD OIL DRAIN WICK CLAMP (FRONT)  |
| 272219                             | x x - x | TENSION SPRING   | 502506                             | x x x x | OIL PUMP DRIVING GEAR  |
| 272221                             | x x - x | TENSION WHEEL  | 502508                             | x x x x | ARM SHAFT CONNECTION BELT  |
| 276025                             | x x x x | PRESSER BAR BALL   | 502509                             | x x x x | ARM SHAFT CONNECTION BELT PULLEY   |
| 276027                             | x x x x | PRESSER BAR LIFTER   | 502510                             | x x x x | ARM SHAFT OIL SHIELD   |
| 276051                             | x x x x | THREAD GUIDE (ON FACE PLATE)   | 502511-002                         | x x x x | ARM SHAFT OIL SLINGER AND PINION<br>SPACER                                   |
| 276114                             | x x x x | NEEDLE BAR CONNECTING LINK THRUST<br>WASHER                            | 502515                             | x x x x | BED SHAFT BUSHING (FRONT)  |
| 276225                             | x x x x | TENSION STUD   | 502516                             | x x x x | BED SHAFT BUSHING OIL WICK   |
| 276236                             | x x x x | HOOK SHAFT OIL FILTER WICK HOLDER                                      | 502517                             | x x x x | BED CONNECTION BELT PULLEY   |
| 276508                             | x x x x | ROTARY TAKE-UP GUARD SPRING CATCH                                      | 502518-002                         | x x x x | BED CONNECTION BELT PULLEY SPACER  |
| 276536                             | x x x x | PRESSER BAR BUSHING  | 502519                             | x x x x | BED SHAFT GEAR   |
| 350231-850                         | x x x x | KNEE LIFTER KNEE PLATE SET SCREW                                       | 502521                             | x x x x | BED SHAFT GEAR BOX COVER GASKET  |
| 500067-830                         | x x - x | NEEDLE POSITION ADJUSTING CAM STOP<br>SCREW SET SCREW (2)              | 502522                             | x x x x | BED SLIDE  |
| 500067-830                         | - - x - | NEEDLE POSITION ADJUSTING ECCENTRIC<br>STOP SCREW SET SCREW (2)        | 502526                             | x x x x | BOBBIN (1) (2)   |
| 500104-850                         | x x x x | ARM OIL SHIELD (AERATED PLASTIC) RETAINER<br>SCREW (2)                 | 502527                             | x x x x | BOBBIN CASE BASE   |
| 500115-850                         | x x x x | OIL DISTRIBUTOR PLATE SCREW  | 502528                             | x x x x | BOBBIN CASE CAP  |
| 500212-833                         | x x x x | FEED DRIVING CONNECTION CARRIER FRAME<br>BEARING STUD (LEFT) SET SCREW | 502529                             | x x x x | BOBBIN CASE LATCH CPL. 210735, 210913<br>AND 502717                          |
| 500244-850                         | x x x x | ROTARY TAKE-UP SCREW (2)   | 502530                             | x x x x | BOBBIN CASE CAP CPL. 200964, 210736,<br>502529 AND 502716                    |
| 500244-850                         | x x x x | BED PLATE SCREW (BACK) (2)   | 502531                             | x x x x | BOBBIN CASE CPL. 502527 AND 502530   |
| 500244-850                         | x x x x | THROAT PLATE SCREW (2)   | 502532                             | x x x - | HOOK BODY WITH 502563  |
| 500245-805                         | x x x x | BED SHAFT GEAR BOX OVERFLOW AND<br>DRAIN PLUG SCREW                    | 502533                             | x x x x | HOOK DRIVING SHAFT BUSHING OIL WICK  |
| 500246-850                         | x x x x | THREAD GUIDE SCREW (2)   | 502534                             | x x x - | HOOK AND BOBBIN CASE CPL. 502531<br>AND 502562                               |
| 500246-850                         | x x x x | FACE PLATE SCREW (8)   | 502536                             | x x x x | BOBBIN CASE STOP   |
| 500246-850                         | x x x x | ROTARY TAKE-UP GUARD SPRING CATCH SCREW                                | 502537                             | x x x - | FACE PLATE   |
| 500247-833                         | x x x x | HOOK OIL REGULATING SCREW  | 502538                             | x x x x | HOOK GIB   |
| 500248-001                         | x x x x | ARM PLUG SCREW   | 502539-002                         | x x x - | HOOK NEEDLE GUARD COUNTERBALANCE   |
| 500250-850                         | x x x x | MACHINE LEG SCREW (2)  | 502540-002                         | x x x x | FEED BAR   |
| 500251-850                         | x x x x | NEEDLE BAR CONNECTING STUD PINCH SCREW                                 | 502541                             | x x x x | FEED BAR HINGE PIN   |
| 500256-850                         | x x x x | PRESSER FOOT SCREW   | 502542                             | x x x x | FEED BAR HINGE PIN OILING FELT   |
| 500257-850                         | x x x x | FEED DRIVING ROCK SHAFT CRANK<br>PINCH SCREW                           | 502544                             | x x x x | FEED BAR HINGE PIN THRUST WASHER (2)   |
| 500259-803                         | x x x x | TENSION RELEASE ADJUSTING SCREW  | 502545                             | x x x x | FEED BAR LIFTING LINK  |
| 500260-830                         | x x x x | PRESSER BAR SPRING SCREW   | 502546                             | x x x x | FEED BAR LIFTING LINK HINGE PIN  |
| 500261-850                         | x x x x | PRESSER BAR SPRING SCREW STUD  | 502558                             | x x x x | FEED DRIVING ROCK SHAFT BUSHING (BACK)                                       |
| 500262-833                         | x x x x | THREAD GUIDE (ON FACE PLATE) SCREW                                     | 502559                             | x x x x | FEED DRIVING ROCK SHAFT CRANK<br>WITH 500257                                 |
| 500262-833                         | x x x x | THREAD CUTTER (ON FACE PLATE) SCREW                                    | 502560-002                         | x x x x | FEED DRIVING ROCK SHAFT OIL WICK   |
| 500263-850                         | x x x x | HOOK SHAFT GEAR BOX COVER SCREW (4)                                    | 502562                             | x x x - | HOOK CPL. 141507, 502532, 502538,<br>502539-002, TWO 500306 AND THREE 141525 |
| 500263-850                         | x x x x | BED SHAFT GEAR BOX COVER SCREW (6)                                     | 502563                             | x x x x | HOOK OIL RETAINING WASHER  |
| 500264-830                         | x x x x | HOOK SHAFT BUSHING FRONT SET SCREW                                     | 502565                             | x x x x | HOOK DRIVING SHAFT   |
| 500265-833                         | x x x x | THREAD REGULATOR SET SCREW   | 502566                             | x x x x | HOOK DRIVING SHAFT BUSHING   |
| 500267-850                         | x x x x | ARM COVER (TOP) SCREW (LONG) (2)                                       | 502567                             | x x x x | HOOK DRIVING SHAFT HELICAL GEAR  |
| 500267-850                         | - - x - | NEEDLE VIBRATING CAM SHAFT BUSHING<br>(BACK) SCREW (2)                 | 502568                             | x x x x | HOOK SHAFT   |
| 500268-850                         | x x x x | ARM COVER (BACK) SCREW (6)   | 502569                             | x x x x | HOOK SHAFT BEVEL GEAR  |
| 500268-850                         | x x x x | ARM COVER (TOP) SCREW (SHORT) (2)                                      | 502572                             | x x x x | HOOK SHAFT BUSHING CAP GASKET  |
| 500268-850                         | x x x x | OIL GUARD SCREW (2)  | 502573                             | x x x x | HOOK SHAFT GEAR BOX COVER  |
| 500268-850                         | x x x x | FEED DRIVING CONNECTION CARRIER FRAME<br>STOP SCREW (2)                | 502574                             | x x x x | HOOK SHAFT GEAR BOX COVER GASKET   |
| 500271-833                         | x x x x | KNEE LIFTER CONTROL SHAFT CRANK<br>STOP SCREW                          | 502575                             | x x x x | HOOK SHAFT GEAR BOX OIL PIPE   |
| 500272-830                         | x x x x | ARM SHAFT CONNECTION BELT PULLEY<br>SET SCREW                          | 502576-002                         | x x x x | HOOK SHAFT GEAR BOX OIL PIPE   |
| 500274-830                         | x x x x | ARM SHAFT CONNECTION BELT PULLEY<br>POSITION SCREW                     | 502577                             | x x x x | NEEDLE VIBRATING CAM SHAFT BUSHING<br>(FRONT) SET SCREW PLUG                 |
| 500275-850                         | x x x x | TENSION RELEASE HINGE SCREW  | 502577                             | x x x x | HOOK SHAFT GEAR BOX PLUG   |
| 500287-850                         | x x x x | ROTARY TAKE-UP GUARD COVER WINDOW<br>SCREW                             | 502581                             | x x x x | HOOK SHAFT PRESSURE BUSHING  |
| 500296-833                         | x x x x | NEEDLE POSITION ADJUSTING CAM REGULATING<br>STUD SET SCREW             | 502582                             | x x x x | HOOK SHAFT PRESSURE BUSHING OIL WICK   |
| 500296-833                         | - - x - | NEEDLE VIBRATING ADJUSTING LEVER<br>STOP SCREW (LEFT)                  | 502583                             | x x x x | KNEE LIFTER KNEE PLATE ARM   |
| 500298-850                         | x x - x | NEEDLE POSITION ADJUSTING CAM STOP<br>SCREW (2)                        | 502584                             | x x x x | KNEE LIFTER LIFTING LINK   |
| 500299-850                         | - - x - | NEEDLE VIBRATING ADJUSTING LEVER<br>STOP SCREW (RIGHT)                 | 502586                             | x x x x | KNEE LIFTER LIFTING ROD SPRING   |
| 500300-850                         | - - x - | NEEDLE VIBRATING ADJUSTING SHAFT<br>RETAINER SCREW                     | 502587-002                         | x x x x | KNEE LIFTER PLUNGER  |
| 500300-850                         | - - x - | NEEDLE VIBRATING ADJUSTING LEVER SCREW                                 | 502589                             | x x x x | KNEE LIFTER ROCK SHAFT   |
| 500301-850                         | x x x x | NEEDLE VIBRATING CAM SCREW (2)   | 502591                             | x x x x | KNEE LIFTER ROCK SHAFT HUB   |
| 500301-850                         | x x x x | NEEDLE VIBRATING WORM GEAR SCREW (2)                                   | 502593                             | x x x x | MACHINE LEG (REAR)   |
| 500302-803                         | x x - x | NEEDLE BAR YOKE CONNECTING LINK<br>CARRIER FRAME BUSHING SET SCREW (2) | 502594                             | x x x x | NEEDLE BAR OIL FELT CORD   |
| 500302-803                         | - - x - | NEEDLE POSITION ADJUSTING ECCENTRIC<br>STOP SCREW (2)                  | 502597                             | x x x x | NEEDLE BAR THREAD GUIDE  |
| 500303-830                         | x x x x | NEEDLE VIBRATING CAM SHAFT BUSHING<br>(FRONT) SET SCREW                | 502598                             | x x x - | NEEDLE BAR CONNECTING LINK WITH 270266                                       |
| 500306-830                         | x x x x | HOOK SET SCREW (2)   | 502600                             | x x x x | NEEDLE BAR CONNECTING LINK GUIDE<br>BLOCK                                    |
| 500307-850                         | x x x x | ARM SHAFT BUSHING (CENTER) SCREW                                       | 502601                             | x x x x | NEEDLE BAR CONNECTING LINK CLAMP<br>PLATE                                    |
| 500308-830                         | x x x x | FEED DRIVING ECCENTRIC POSITION SCREW                                  | 502602                             | x x x - | NEEDLE BAR CONNECTING STUD   |
| 500309-850                         | - x x x | FEED REGULATING SHAFT INDICATOR<br>STOP SCREW (2)                      | 502603                             | x x x x | NEEDLE BAR CONNECTING STUD OIL WICK  |
| 500310-833                         | - x x x | FEED REGULATING SHAFT INDICATOR STOP<br>SCREW RETAINING SPRING SCREW   | 502604                             | x x x - | NEEDLE BAR CONNECTING STUD GUIDE<br>BLOCK                                    |
| 500312-850                         | x x x x | SINGER LIGHT STUD HOLE SCREW PLUG<br>(FOR UN-USED HOLE)                | 502606                             | x x x x | FEED REVERSING FOOT CONTROL LEVER<br>PIN COLLAR 502935 WITH 50150            |
| 500315-830                         | x x x x | NEEDLE BAR YOKE GUIDE SET SCREW (2)                                    | 502607                             | x x x - | NEEDLE BAR CRANK STUD  |
| 500319-830                         | x x x x | BED CONNECTION BELT PULLEY SET SCREW (2)                               | 502608                             | x x x x | NEEDLE BAR OIL FELT  |
| 500320-830                         | x x x x | ARM HEAD OIL DRAIN WICK SLINGER<br>SET SCREW (2)                       | 502610                             | x x x x | HOOK SHAFT BUSHING (FRONT)   |
|                                    |         |  | 502611                             | x x x x | HOOK SHAFT BUSHING CAP   |
|                                    |         |  | 502616                             | x x x x | NEEDLE BAR YOKE CONNECTING LINK<br>HINGE BEARING WITH 160                    |
|                                    |         |  | 502622                             | x x x x | ROTARY TAKE-UP GUARD HINGE SCREW<br>SPRING WASHER                            |
|                                    |         |  | 502635-002                         | x x x x | OIL DELIVERY TUBE  |
|                                    |         |  | 502641                             | x x x x | MACHINE BASE AND OIL RESERVOIR STATIC<br>GROUNDING CONTACT                   |
|                                    |         |  | 502642                             | x x x x | MACHINE BASE AND OIL RESERVOIR STATIC<br>GROUNDING CONTACT WIRE              |
|                                    |         |  | 502643                             | x x x x | OIL PUMP BODY  |

| FOR CLASS 457 G |                 | DESCRIPTION   | FOR CLASS 457 G |                 | DESCRIPTION  |
|-----------------|-----------------|---|-----------------|-----------------|--|
| PART NO.        | 130 135 155 GX6 |   | PART NO.        | 130 135 155 GX6 |  |
| 502644          | x x x x         | OIL PUMP GEAR   | 502775          | - - x -         | NEEDLE VIBRATING ADJUSTING BRACKET   |
| 502645          | x x x x         | PRESSER BAR POSITION GUIDE  | 502776          | - - x -         | NEEDLE VIBRATING ADJUSTING BRACKET STUD (2)  |
| 502646          | x x x x         | OIL PUMP SCREW SHAFT  | 502776          | - - x -         | NEEDLE POSITION ADJUSTING ECCENTRIC BUSHING (SMALL SLIDE BLOCK STUD                            |
| 502647-002      | x x x x         | OIL RETURN TUBE (UPPER) SHORT   | 502777          | - - x -         | NEEDLE VIBRATING ADJUSTING GUIDE CRANK   |
| 502648-002      | x x x x         | OIL RETURN TUBE (LOWER) LONG  | 502778          | - - x -         | NEEDLE VIBRATING ADJUSTING GUIDE CRANK (502777 WITH 1147)                                      |
| 502650-002      | x x x x         | OIL SIGHT BODY AND WICK 502651  | 502779          | - - x -         | NEEDLE VIBRATING ADJUSTING CRANK   |
| 502651          | x x x x         | OIL SIGHT WICK  | 502780          | - - x -         | NEEDLE VIBRATING ADJUSTING CRANK (502779 WITH 51369)   |
| 502653          | x x x x         | PRESSER BAR SPRING  | 502781          | - - x -         | NEEDLE POSITION ADJUSTING ECCENTRIC SLIDE BLOCK  |
| 502654          | x x x x         | PRETENSION BRACKET  | 502782          | - - x -         | NEEDLE VIBRATING ADJUSTING BRACKET SLIDE BLOCK   |
| 502655          | x x x x         | ROTARY TAKE-UP  | 502783          | - - x -         | NEEDLE VIBRATING ADJUSTING GUIDE CRANK SHAFT   |
| 502656          | x x x x         | ROTARY TAKE-UP GUARD  | 502784          | - - x -         | NEEDLE VIBRATING ADJUSTING CRANK SHAFT   |
| 502657          | x x x x         | ROTARY TAKE-UP GUARD COVER  | 502785          | x x x x         | NEEDLE BAR YOKE CONNECTING LINK HINGE BEARING STUD   |
| 502658          | x x x x         | PRETENSION BRACKET CPL. 210955, 210993, 272208, 272209 AND 502699                                       | 502786          | x x x x         | KNEE LIFTER ROCK FRAME   |
| 502659          | x x x x         | ROTARY TAKE-UP MOUNTING DISC  | 502788          | - - x -         | NEEDLE VIBRATING ADJUSTING SHAFT RETAINER  |
| 502660-002      | x x x x         | TENSION RELEASER  | 502789          | - - x -         | NEEDLE BAR YOKE CONNECTING LINK CARRIER FRAME STUD   |
| 502661-002      | x x x x         | TENSION RELEASER CPL. 1747, 500259 AND 502660-002   | 502790          | x x - x         | NEEDLE POSITION ADJUSTING LEVER  |
| 502662          | x x x x         | TENSION RELEASER SPRING   | 502791          | - - x -         | NEEDLE POSITION ADJUSTING ECCENTRIC SLIDE BLOCK BRACKET  |
| 502663          | x x - x         | TENSION CPL. 1560, 270086, 272218, 272219, 272220, 274225, 502668, 502698 AND TWO 202079                | 502792          | - - x -         | NEEDLE VIBRATING CAM ROLLER GUIDE COMPENSATING LINK STUD SNAP RING (2)                         |
| 502665          | x x x x         | THREAD GUIDE  | 502793          | - - x -         | NEEDLE POSITION ADJUSTING ECCENTRIC BUSHING (SMALL SLIDE BLOCK STUD SNAP RING                  |
| 502666          | x x x x         | THREAD PULL OFF   | 502793          | - - x -         | NEEDLE VIBRATING ADJUSTING BRACKET STUD SNAP RING (2)  |
| 502667          | x x x x         | THREAD RETAINER   | 502799          | x x x x         | MACHINE BASE AND OIL RESERVOIR DRAIN PLUG SCREW GASKET   |
| 502668          | x x x x         | THREAD TAKE-UP SPRING   | 502800          | - - x -         | NEEDLE BAR YOKE CONNECTION LINK CARRIER FRAME DISC SPRING                                      |
| 502669          | x x x x         | THREAD TAKE-UP SPRING REGULATOR   | 502801          | - - x -         | NEEDLE VIBRATING CAM ROLLER GUIDE COMPENSATING LINK STUD                                       |
| 502670          | x x x x         | THREAD CLUTTER (ON ROTARY TAKE-UP GUARD)  | 502802          | x x x x         | NEEDLE BAR YOKE CONNECTING LINK HINGE BEARING STUD SNAP RING (2)                               |
| 502672          | x x x x         | NEEDLE BAR YOKE BEARING BACK  | 502802          | - - x -         | NEEDLE BAR YOKE CONNECTING LINK CARRIER FRAME SNAP RING  |
| 502674          | x x x x         | NEEDLE BAR YOKE BEARING FRONT   | 502803          | - - x -         | NEEDLE VIBRATING ADJUSTING LEVER   |
| 502675-002      | x x x x         | FEED DRIVING ROCK SHAFT CRANK CPL. 51386, 502541, 502542, 502544, 502545, 502546, 502710 AND 502711-002 | 502805          | - - x -         | NEEDLE BAR YOKE CONNECTING LINK CARRIER FRAME  |
| 502676          | x x x x         | HOOK SHAFT PRESSURE BUSHING 502581 WITH 502582  | 502806          | x x x x         | ARM COVER (BACK)   |
| 502677          | x x x x         | HOOK SHAFT WITH OIL FILTER CPL. 271806, 274236, 502568, 502928 AND 502958                               | 502811          | x x x x         | ARM COVER (TOP)  |
| 502679          | x x x x         | KNEE LIFTER ROCK FRAME HINGE STUD PIN   | 502817          | x x x x         | NEEDLE BAR YOKE CONNECTING LINK HINGE BEARING WITH 502616 AND TWO 502757                       |
| 502681-002      | x x x x         | ARM SHAFT WITH 1259, 140170 AND 502725-002  | 502818          | x x x x         | HOOK GEAR BOX VENT CAP   |
| 502682          | x x x x         | ARM SHAFT CONNECTION BELT PULLEY CPL. 214206, 500272, 500274 AND 502509                                 | 502819          | - - x -         | NEEDLE BAR YOKE CONNECTING LINK CARRIER FRAME CPL. 502789, 502805, 502850, 502857 AND TWO 624  |
| 502687-002      | x x x -         | NEEDLE BAR YOKE WITH OIL BELT CPL. 502594, 502608 AND 502688-002  | 502820          | - - x -         | NEEDLE POSITION ADJUSTING ECCENTRIC CPL. 502776, 502781, 502793 AND TWO EACH 500302 AND 502762 |
| 502688-002      | x x x -         | NEEDLE BAR YOKE   | 502822          | x x x x         | KNEE LIFTER ROCK FRAME WITH 502679, 502756 AND 502786  |
| 502693          | x x x -         | NEEDLE BAR CONNECTING STUD WITH 500251, 502602 AND 502603   | 502823          | x x x x         | KNEE LIFTER LIFTING ROD WITH TWO 502830  |
| 502694          | x x x -         | NEEDLE BAR CRANK STUD WITH 270161 AND 502607  | 502824          | x x x x         | HOOK DRIVING SHAFT PLUG (FOR UN-USED BED HOLE)   |
| 502696          | x x x x         | PRESSER BAR POSITION GUIDE WITH 51369 AND 502645  | 502825          | x x x x         | NEEDLE VIBRATING CAM SHAFT BUSHING (FRONT)   |
| 502698          | x x x x         | THREAD TAKE-UP SPRING REGULATOR 502669 WITH 50305   | 502826          | x x x x         | FEED DRIVING ROCK SHAFT BUSHING (FRONT)  |
| 502699          | x x x x         | PRETENSION BRACKET WITH 460 AND 502654  | 502829          | - x x x         | STITCH LENGTH INDICATOR PLATE  |
| 502702          | x x x x         | OIL PUMP GEAR WITH 502644 AND TWO 500211  | 502830          | x x x x         | KNEE LIFTER LIFTING ROD GRIP RING (2)  |
| 502703          | x x x x         | BED SHAFT BUSHING (FRONT) 502616 WITH 502516  | 502830          | - x x x         | FEED DRIVING CONNECTION CARRIER FRAME SPRING STUD GRIP RING                                    |
| 502704          | x x x x         | BED CONNECTION BELT PULLEY WITH 502517 AND TWO 500319   | 502831          | x x x x         | ARM SHAFT BUSHING (CENTER) SCREW PLUG  |
| 502705          | x x x x         | OIL PUMP DRIVING GEAR WITH 502506 AND TWO 1036  | 502832          | x x x x         | FEED REGULATING SHAFT PLUG (FOR UN-USED HOLE)  |
| 502710          | x x x x         | FEED DRIVING ROCK SHAFT CRANK WITH 502559 AND TWO 624   | 502833          | x x x x         | ARM COVER (BACK) GASKET  |
| 502711-002      | x x x x         | FEED BAR 502540-002 WITH PINCH SCREW 50378  | 502834          | x x x x         | ARM OIL SHIELD (AERATED PLASTIC) RETAINER  |
| 502712          | x x x x         | BED SHAFT GEAR WITH 502519 AND TWO 1259   | 502835          | - - x -         | NEEDLE VIBRATING ADJUSTING LEVER OIL GUIDE   |
| 502713          | x x x x         | HOOK DRIVING SHAFT BUSHING WITH 502533 AND 502566   | 502836          | x x x x         | BED SHAFT WITH 502752 AND 502837   |
| 502714          | x x x x         | HOOK DRIVING SHAFT HELICAL GEAR 502567 WITH TWO 1259  | 502837          | x x x x         | BED SHAFT  |
| 502715          | x x x x         | HOOK SHAFT BEVEL GEAR 502569 WITH TWO 1259  | 502838          | x x x x         | BED SHAFT BUSHING (BACK)   |
| 502716          | x x x x         | BOBBIN CASE CAP CPL. 200592, 201016, 502528 AND 508530  | 502839          | x x x x         | FEED DRIVING ECCENTRIC WITH 449, 500308 AND 502840   |
| 502717          | x x x x         | BOBBIN CASE LATCH LEVER   | 502840          | x x x x         | FEED DRIVING ECCENTRIC   |
| 502720          | x x x x         | KNEE LIFTER ROCK SHAFT HUB 502591 WITH TWO 500332   | 502841          | x x x x         | FEED DRIVING CONNECTION CPL. 502843, 502844, 502847, TWO 502845 AND FOUR 507063                |
| 502723-002      | x x x x         | ARM SHAFT CRANK WITH NEEDLE BAR CRANK   | 502843          | x x x x         | FEED DRIVING CONNECTION LEVER  |
| 502736          | - - x -         | NEEDLE VIBRATING ADJUSTING BRACKET CPL. 502775, 502776, 502780 AND TWO EACH 502776 AND 502793           | 502844          | x x x x         | FEED DRIVING CONNECTION LINK   |
| 502751          | x x x x         | NEEDLE VIBRATING CAM SHAFT BUSHING (BACK) PLUG  | 502845          | x x x x         | FEED DRIVING CONNECTION LEVER HINGE PIN (2)  |
| 502752          | x x x x         | BED SHAFT BUSHING (CENTER) OIL TUBE PLUG  | 502847          | x x x x         | FEED DRIVING CONNECTION CRANK WITH 1177 AND 502848   |
| 502752          | x x x x         | BED SHAFT PLUG  | 502848          | x x x x         | FEED DRIVING CONNECTION  |
| 502757          | x x x x         | NEEDLE BAR YOKE CONNECTING LINK HINGE BEARING BUSHING (2)   | 502849          | - x x x         | FEED REGULATING SHAFT INDICATOR STOP SCREW RETAINING SPRING                                    |
| 502758          | x x x x         | KNEE LIFTER ROCK FRAME HINGE STUD   |                 |                 |  |
| 502760          | x x x x         | NEEDLE VIBRATING CAM SHAFT BUSHING (FRONT) PLUG   |                 |                 |  |
| 502762          | - - x -         | NEEDLE POSITION ADJUSTING ECCENTRIC BUSHING (SMALL) SNAP RING (2)                                       |                 |                 |  |
| 502763          | x x x x         | ARM SHAFT BUSHING (CENTER)  |                 |                 |  |
| 502764          | x x x x         | OIL GUARD   |                 |                 |  |
| 502770          | x x x x         | ARM COVER (FRONT) GASKET  |                 |                 |  |
| 502772          | x x x x         | NEEDLE POSITION ADJUSTING CAM REGULATING STUD   |                 |                 |  |

| FOR CLASS 457 G<br>130 135 155 GX6 |         |  | FOR CLASS 457 G<br>130 135 155 GX6 |         |  |
|------------------------------------|---------|--|------------------------------------|---------|--|
| PART NO.                           |         | DESCRIPTION  | PART NO.                           |         | DESCRIPTION  |
| 502850                             | x x - x | NEEDLE BAR YOKE CONNECTING LINK SLIDE BEARING  | 502949                             | - x x x | FEED DRIVING CONNECTING CARRIER FRAME SPRING STUD  |
| 502850                             | x x x x | FEED DRIVING CONNECTION LEVER SLIDE BEARING  | 502951-850                         | x - - - | NEEDLE POSITION ADJUSTING CAM SET SCREW  |
| 502853                             | - x x x | FEED DRIVING CONNECTION CARRIER FRAME CPL. 51369, 502850, 502854, 502857, 502858 AND 502949  | 502952                             | x x - x | NEEDLE BAR YOKE CONNECTING LINK CARRIER FRAME CPL. 502850, 502857, 502953 AND TWO 624  |
| 502854                             | x x x x | FEED DRIVING CONNECTION CARRIER FRAME  | 502953                             | x x - x | NEEDLE BAR YOKE CONNECTING LINK CARRIER FRAME  |
| 502857                             | x x - x | NEEDLE BAR YOKE CONNECTING LINK CARRIER FRAME SLIDE STUD   | 502955                             | - x - - | ARM COVER (FRONT) 502989 WITH 502829 AND TWO 140753  |
| 502857                             | x x x x | FEED DRIVING CONNECTION FRAME SLIDE STUD   | 502956                             | x x - x | NEEDLE BAR YOKE CONNECTING LINK CPL. 1664, 502785, 502817, 502957, 502959, 502961, 502962, 502963, 502990 AND TWO EACH 502802, 502958, 502960 AND 502964 |
| 502858                             | x x x x | FEED DRIVING CONNECTION LEVER SLIDE STUD OIL WICK  | 502957                             | x x - x | NEEDLE BAR YOKE CONNECTING LINK  |
| 502859                             | x x x x | FEED DRIVING CONNECTION CARRIER FRAME BEARING STUD (LEFT)  | 502958                             | x x x x | NEEDLE BAR YOKE CONNECTING LINK SNAP RING (2)  |
| 502860                             | x x x x | FEED DRIVING CONNECTION CARRIER FRAME BEARING STUD (RIGHT)   | 502958                             | x x x x | HOOK SHAFT SNAP RING   |
| 502862                             | - x x x | FEED REGULATING CONNECTION SHAFT CRANK LINK  | 502959                             | x x - x | NEEDLE VIBRATING CAM ROLLER GUIDE  |
| 502863                             | - x x x | FEED REGULATING CONNECTION SHAFT CRANK 502864 WITH 160   | 502960                             | x x - x | NEEDLE VIBRATING CAM ROLLER (2)  |
| 502864                             | - x x x | FEED REGULATING CONNECTION SHAFT CRANK   | 502961                             | x x x x | NEEDLE VIBRATING CAM ROLLER STUD SPRING WASHER   |
| 502866                             | - x x x | FEED DRIVING CONNECTION CARRIER FRAME SPRING   | 502962                             | x x - x | NEEDLE VIBRATING CAM ROLLER STUD   |
| 502867                             | - x x x | FEED DRIVING CONNECTION CARRIER FRAME SPRING STUD  | 502963                             | x x - x | NEEDLE VIBRATING CAM ROLLER STUD WASHER  |
| 502868                             | x x x x | FEED REGULATING CONNECTION SHAFT BUSHING   | 502964                             | x x x x | NEEDLE VIBRATING CAM ROLLER NEEDLE BEARING CAGE (2)  |
| 502869                             | - x x x | FEED REGULATING CONNECTION SHAFT COLLAR 502873 WITH TWO 51334  | 502966                             | x x - x | NEEDLE VIBRATING CAM SHAFT SLIDE BLOCK   |
| 502872                             | - x x x | FEED REGULATING CONNECTION SHAFT COLLAR  | 502967                             | x x x x | NEEDLE VIBRATING CAM SHAFT BUSHING (BACK)  |
| 502873                             | - x x x | FEED REGULATING SHAFT INDICATOR LEVER CONNECTING LINK  | 502968                             | x x x x | NEEDLE VIBRATING CAM SHAFT   |
| 502876                             | - x x x | FEED REGULATING SHAFT WITH LEVER   | 502969                             | x x - - | NEEDLE VIBRATING CAM WITH TWO 500301   |
| 502878                             | - x x x | FEED DRIVING ROCK SHAFT WITH 502560-002 AND 502880   | 502975                             | - x x x | FEED REGULATING SHAFT INDICATOR CPL. 129, 502876, 502976 AND 507063  |
| 502879                             | x x x x | FEED DRIVING ROCK SHAFT  | 502976                             | - x x x | FEED REGULATING SHAFT INDICATOR LEVER  |
| 502880                             | x x x x | BED SHAFT GEAR BOX COVER   | 502977                             | x x - x | NEEDLE POSITION ADJUSTING CAM SLIDE BLOCK BRACKET WITH 502974 AND TWO EACH 500067 AND 500298   |
| 502881                             | x x x x | MACHINE BASE AND OIL RESERVOIR WITH 500329 AND 502799  | 502979                             | - x x x | FEED REGULATING SHAFT SPACER   |
| 502882                             | x x x x | MACHINE BASE AND OIL RESERVOIR WITH 500329 AND 502799  | 502980                             | x - - - | FEED DRIVING CONNECTION CARRIER FRAME COLLAR   |
| 502883                             | x x x x | MACHINE BASE AND OIL RESERVOIR WITH KNEE LIFTER CPL. 228364, 502587-002, 502583, 502606, 502720, 502882, 502937, 502994, 502996, 508501, 508503, 503000 AND TWO 508502 | 502981                             | x - - - | FEED DRIVING CONNECTION CARRIER FRAME  |
| 502884                             | x x x x | BED SPACER (FRONT AND REAR SIDE) (2)   | 502982-850                         | x - - - | FEED DRIVING CONNECTION CARRIER FRAME THUMB NUT  |
| 502885                             | x x x x | BED SPACER (REAR) (2)  | 502983                             | x - - - | FEED DRIVING CONNECTION CARRIER FRAME STUD   |
| 502886                             | x x x x | HOOK SHAFT GEAR BOX OIL PIPE HOLDER  | 502984                             | x - - - | ARM COVER (FRONT)  |
| 502888                             | x x x x | BED SHAFT BUSHING (CENTER)   | 502985                             | x - - - | FEED DRIVING CONNECTION CARRIER FRAME CPL. 51369, 502850, 502854, 502857, 502858 AND 502983  |
| 502890                             | x x x x | ARM OIL SHIELD (AERATED PLASTIC)   | 502986                             | x - - - | FEED REGULATING SHAFT PLUG   |
| 502891                             | x x x x | SINGER LIGHT STUD HOLE SCREW PLUG GASKET   | 502987                             | x x x x | FEED REVERSING PLUNGER HOLE PLUG (FOR UN-USED HOLE)  |
| 502892                             | x x x x | FEED DRIVING ROCK SHAFT BUSHING (CENTER)   | 502989                             | - x - - | ARM COVER (FRONT)  |
| 502896                             | x x x x | NEEDLE BAR YOKE GUIDE (REAR)   | 502990                             | x x - x | NEEDLE VIBRATING CAM ROLLER SPRING WASHER  |
| 502897                             | x x x x | NEEDLE BAR YOKE GUIDE (FRONT)  | 502991                             | x x x x | ARM PLUG SCREW GASKET RING   |
| 502898                             | - - x - | NEEDLE VIBRATING ADJUSTING SHAFT CLAMPING BRACKET CPL. 690, 502922 AND 502923  | 502992                             | x x x x | ARM SHAFT BUSHING (CENTER) SCREW GASKET RING   |
| 502907                             | x x x x | ARM COVER (BACK) SCREW GASKET RING (6)   | 502992                             | x x x x | KNEE LIFTER ROCK FRAME HINGE STUD LOCK SCREW GASKET RING   |
| 502907                             | x x x x | ARM COVER (TOP) SCREW (LONG) GASKET RING (2)   | 502993                             | x x x x | NEEDLE BAR CPL. 223, 238 AND 502597  |
| 502907                             | x x x x | ARM COVER (TOP) SCREW (SHORT) GASKET RING (2)  | 502994                             | x x x x | KNEE LIFTER ROCK SHAFT SPACER  |
| 502907                             | x x x x | ARM COVER (FRONT) SCREW GASKET RING (3)  | 502996                             | x x x x | KNEE LIFTER CONTROL SHAFT CPL. 500271, 500785, 502997, 502998 AND 508302   |
| 502907                             | - - x - | NEEDLE VIBRATING CAM SHAFT BUSHING (BACK) GASKET RING (2)  | 502997                             | x x x x | KNEE LIFTER CONTROL SHAFT  |
| 502908                             | x x x x | BED SHAFT BUSHING (CENTER) OIL TUBE  | 502998                             | x x x x | KNEE LIFTER CONTROL SHAFT CRANK  |
| 502909                             | x x x x | ARM COVER (TOP) GASKET   | 502998                             | x x x x | KNEE LIFTER ROCK SHAFT CRANK   |
| 502914                             | x x x x | ARM HEAD OIL DRAIN WICK SLINGER CPL. 502915 AND TWO 500302   | 502999                             | x x x x | KNEE LIFTER ROCK SHAFT CPL. 502589, 502998 AND 508302  |
| 502915                             | x x x x | ARM HEAD OIL DRAIN WICK SLINGER  | 503000                             | x x x x | KNEE LIFTER CONTROL SHAFT GRIP RING  |
| 502916                             | x x x x | ARM HEAD OIL DRAIN WICK  | 503141                             | - - x - | NEEDLE VIBRATING CAM ROLLER STUD WASHER  |
| 502917                             | x x x x | OIL RETURN TUBE  | 503595                             | x x x - | PRESSER FOOT (HINGED)  |
| 502918                             | x x x x | ARM HEAD OIL DRAIN WICK CLAMP (UPPER)  | 503669                             | x x x x | WRENCH (5/64 INCH HEXAGON)   |
| 502919                             | x x x x | ARM HEAD OIL DRAIN WICK CLAMP (BACK)   | 503673                             | x x x x | WRENCH (25/64 INCH HEXAGON)  |
| 502920                             | x x x x | PRESSER BAR SPRING SCREW STUD GASKET   | 503682                             | x x x - | THROAT PLATE   |
| 502922                             | - - x - | NEEDLE VIBRATING ADJUSTING SHAFT CLAMPING BRACKET (UPPER)  | 503683                             | x x - - | FEED DOG   |
| 502923                             | - - x - | NEEDLE VIBRATING ADJUSTING SHAFT CLAMPING BRACKET (LOWER)  | 503686                             | - - x - | FEED DOG   |
| 502926                             | x x x x | ARM SHAFT OIL SLINGER AND PINION SPACER WITH 460 AND 502511-002  | 503697                             | - - - x | PRESSER FOOT (HINGED)  |
| 502927                             | x x x x | ARM SHAFT AND NEEDLE BAR CRANK PIN   | 503698                             | - - - x | THROAT PLATE   |
| 502928                             | x x x x | HOOK SHAFT OIL FILTER FELT (WICK)  | 503699                             | - - - x | FEED DOG   |
| 502930                             | x x x x | NEEDLE BAR YOKE GUIDE SET SCREW (2)  | 507063                             | x x x x | FEED DRIVING CONNECTION LEVER HINGE PIN RETAINER (4)   |
| 502931                             | - x x x | FEED DRIVING CONNECTION CARRIER FRAME SPRING RETAINER  | 507063                             | - x x x | FEED REGULATING CONNECTION SHAFT CRANK LINK RETAINER   |
| 502932                             | - x x x | FEED DRIVING CONNECTION CARRIER FRAME SPRING 502866 WITH 502931  | 507063                             | - x x x | FEED REGULATING SHAFT INDICATOR LEVER HINGE STUD RETAINER  |
| 502935                             | x x x x | FEED REVERSING FOOT CONTROL LEVER PIN COLLAR   | 507063                             | - x x x | FEED REGULATOR SHAFT INDICATOR LEVER HINGE STUD RETAINER   |
| 502937                             | x x x x | FEED REVERSING FOOT CONTROL LEVER PIN  | 507523                             | x x x x | FEED DRIVING CONNECTION CARRIER FRAME STOP SCREW WASHER (2)  |
| 502946                             | x x x x | OIL RETURN TUBE (LOWER) (LONG) CLAMP   | 508302                             | x x x x | KNEE LIFTER ROCK SHAFT CRANK PIN   |
| 502948                             | x x x x | PRESSER BAR WITH PRESSER FOOT SCREW 500256   | 508302                             | x x x x | KNEE LIFTER CONTROL SHAFT CRANK PIN  |
|                                    |         |  | 508501                             | x x x x | KNEE LIFTER ROCK SHAFT CONNECTION  |
|                                    |         |  | 508502                             | x x x x | KNEE LIFTER ROCK SHAFT CONNECTION GRIP RING (2)  |

| PART NO. | FOR CLASS 457 G |     |     |     | DESCRIPTION   | PART NO. | FOR CLASS 457 G |     |     |     | DESCRIPTION  |
|----------|-----------------|-----|-----|-----|---|----------|-----------------|-----|-----|-----|--|
|          | 130             | 135 | 155 | GX6 |   |          | 130             | 135 | 155 | GX6 |  |
| 508503   | x               | x   | x   | x   | MACHINE BASE AND OIL RESERVOIR GASKET   | 508570   | -               | -   | x   | -   | ARM COVER (FRONT) 508571 WITH 502829   |
| 508505   | x               | x   | x   | x   | OIL FILTER WITH OIL FILTER MOUNTING SUPPORT   | 508571   | -               | -   | x   | -   | AND TWO 140753   |
| 508506   | x               | x   | x   | x   | BED SLIDE SPRING  | 508581   | -               | -   | -   | x   | ARM COVER (FRONT)  |
| 508507   | x               | x   | x   | x   | BED SLIDE CPL. 502822, 508506 AND TWO 238   | 508582   | -               | -   | -   | x   | ARM COVER (FRONT) 508582 WITH 502829   |
| 508511   | x               | x   | x   | x   | MACHINE PULLEY WITH 141566, 141567 AND 272142   | 508583   | -               | -   | -   | x   | AND TWO 140753   |
| 508513   | x               | x   | -   | x   | PAIR OF NEEDLE VIBRATING WORM GEAR AND NEEDLE VIBRATING WORM WHEEL WITH TWO 500301 AND FOUR 1266  | 508584   | -               | -   | -   | x   | ARM COVER (FRONT)  |
| 508514   | x               | x   | x   | x   | OIL DISTRIBUTOR PLATE   | 508585   | -               | -   | -   | x   | NEEDLE BAR CONNECTING STUD   |
| 508518   | x               | x   | x   | x   | THREAD CUTTER (ON FACE PLATE)   | 508586   | -               | -   | -   | x   | NEEDLE BAR CONNECTING STUD GUIDE BLOCK   |
| 508519   | -               | -   | x   | -   | NEEDLE BAR YOKE CONNECTING LINK   | 508587   | -               | -   | -   | x   | NEEDLE BAR CONNECTING LINK WITH 270266   |
| 508520   | -               | -   | x   | -   | PAIR OF NEEDLE VIBRATING WORM GEAR AND NEEDLE VIBRATING WORM WHEEL WITH TWO 500301 AND FOUR 1266  | 508588   | -               | -   | -   | x   | NEEDLE BAR CRANK STUD WITH 270161  |
| 508523   | -               | x   | x   | x   | FEED DRIVING CONNECTION CARRIER FRAME STOP (BACK)   | 508589   | -               | -   | -   | x   | NEEDLE BAR YOKF WITH 502594, 502608 AND 508588   |
| 508524   | -               | x   | x   | x   | FEED DRIVING CONNECTION CARRIER FRAME STOP (FRONT)  | 508604   | -               | -   | x   | -   | NEEDLE BAR YOKE  |
| 508527   | x               | x   | x   | x   | BOBBIN CASE BASE  | 508604   | -               | -   | x   | -   | NEEDLE VIBRATING CAM WITH TWO 500301   |
| 508530   | x               | x   | x   | x   | BOBBIN CASE TENSION SPRING  | 508604   | -               | -   | x   | -   | FACE PLATE   |
| 508535   | -               | -   | -   | x   | HOOK BODY WITH 502563   | 508604   | -               | -   | x   | -   | TENSION CPL. 32574, 147151, 147152, 276225, 502668, 502698, 508654 AND TWO 2102                    |
| 508537   | -               | -   | -   | x   | HOOK NEEDLE GUARD AND COUNTERBALANCE  | 508651   | -               | -   | x   | -   | NEEDLE POSITION ADJUSTING ECCENTRIC SLIDE BLOCK BRACKET CPL. 502791 AND TWO EACH 500067 AND 500367 |
| 508538   | -               | -   | x   | -   | NEEDLE VIBRATING CAM SHAFT BUSHING (BACK)   | 508653   | -               | -   | x   | -   | NEEDLE VIBRATING CAM SHAFT BUSHING (BACK) WASHER   |
| 508539   | -               | -   | x   | -   | NEEDLE VIBRATING CAM ROLLER GUIDE   | 508654   | -               | -   | x   | -   | TENSION THUMB NUT CAP  |
| 508540   | -               | -   | x   | -   | NEEDLE VIBRATING CAM ROLLER STUD WASHER   | 508660   | -               | -   | -   | x   | HOOK AND BOBBIN CASE CPL. 502531 AND 508661  |
| 508541   | -               | -   | x   | -   | NEEDLE VIBRATING CAM ROLLER STUD  | 508661   | -               | -   | -   | x   | HOOK CPL. 141507, 502538, 508535, 508537, TWO 500306 AND THREE 141525                              |
| 508542   | -               | -   | x   | -   | NEEDLE VIBRATING CAM ROLLER (2)   | 508674   | x               | x   | x   | x   | ARM HEAD OIL DRAIN WICK GUARD  |
| 508543   | -               | -   | x   | -   | NEEDLE VIBRATING CAM ROLLER GUIDE COMPENSATING LINK   |          |                 |     |     |     |  |
| 508567   | -               | -   | x   | -   | NEEDLE VIBRATING CAM WITH TWO 500301  |          |                 |     |     |     |  |
| 508568   | -               | -   | x   | -   | NEEDLE BAR YOKE CONNECTING LINK CPL. 1664, 502801, 502785, 502817, 502961, 503141, 508519, 508539, 508540, 508541, 508543, TWO EACH 502793, 502802, 502958, 502964 AND 508542 |          |                 |     |     |     |  |