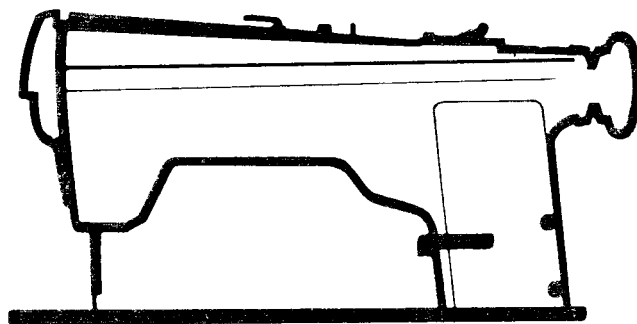
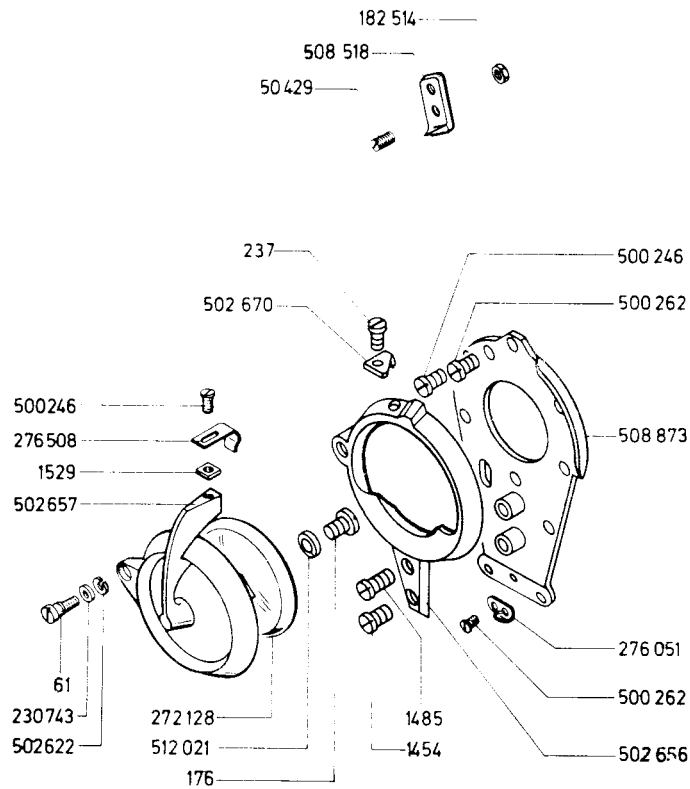
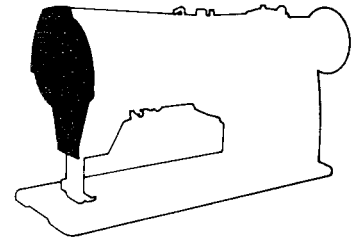


**ILLUSTRATED
PARTS LIST
FOR
SINGER -
MACHINE**



457G 133



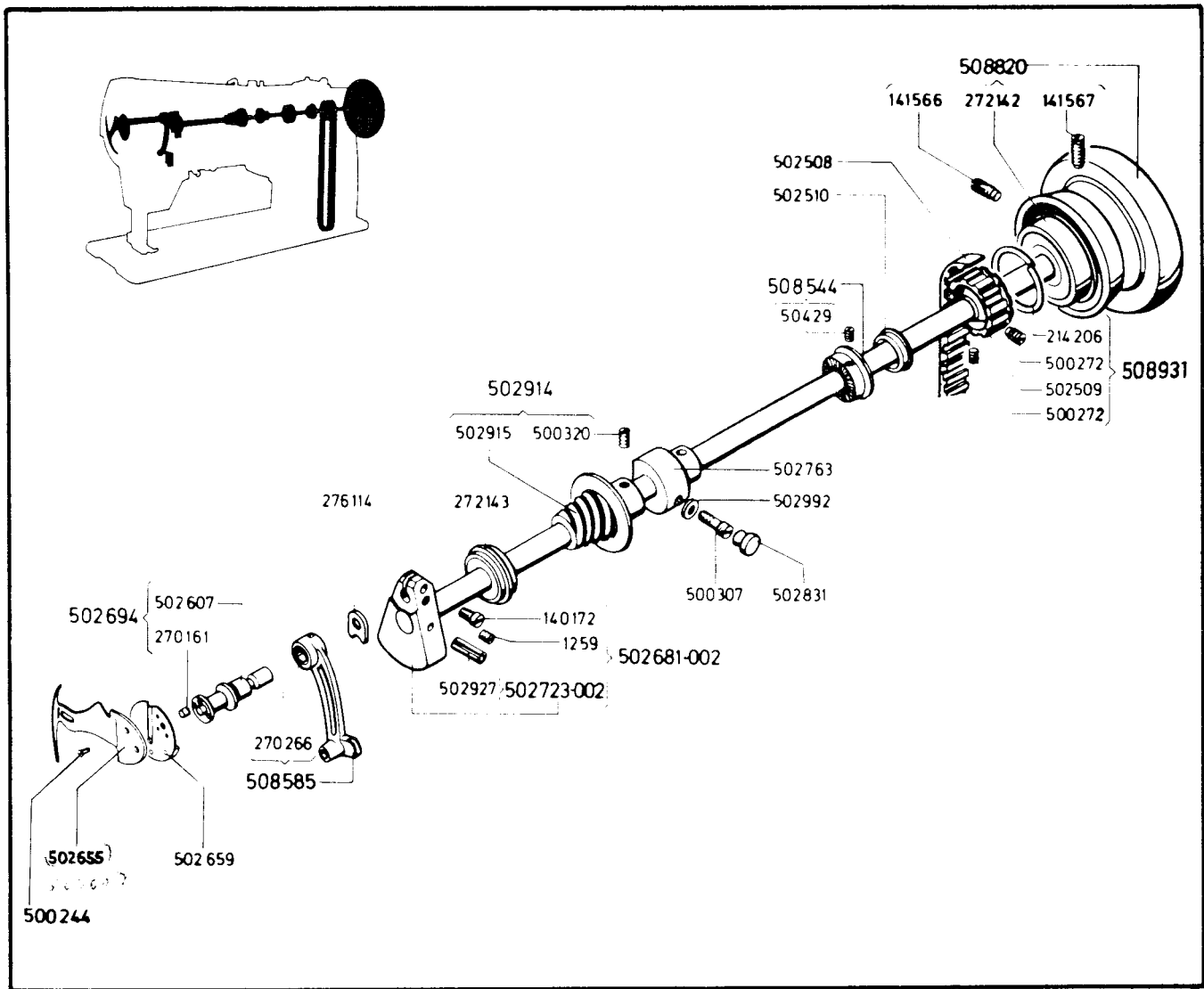
457 G133-100-(02 71)

000061-850 ROTARY TAKE-UP GUARD HINGE SCREW
 000176-850 ROTARY TAKE-UP GUARD COVER WINDOW SCREW
 000237-833 THREAD CUTTER (ON ROTARY TAKE-UP GUARD SCREW)
 001454-850 ROTARY TAKE-UP GUARD SCREW (SHORT)
 001485-850 ROTARY TAKE-UP GUARD SCREW (LONG)
 001529-850 SPRING CATCH SCREW NUT
 050429-833 THREAD CUTTER (ON FACE PLATE) ADJUSTING SCREW
 182514-850 THREAD CUTTER (ON FACE PLATE) ADJUSTING SCREW NUT
 230743 HINGE SCREW THRUST WASHER
 272128 ROTARY TAKE-UP GUARD COVER WINDOW
 276051 THREAD GUIDE (ON FACE PLATE)
 276508 ROTARY TAKE-UP GUARD SPRING CATCH

500246-850 FACE PLATE SCREW (8)
 500246-850 ROTARY TAKE-UP GUARD SPRING CATCH SCREW
 500262-833 THREAD GUIDE (ON FACE PLATE) SCREW
 500262-833 THREAD CUTTER (ON FACE PLATE) SCREW
 502622 ROTARY TAKE-UP GUARD HINGE SCREW SPRING WASHER
 502656 ROTARY TAKE-UP GUARD
 502657 ROTARY TAKE-UP GUARD COVER
 502670 THREAD CUTTER (ON ROTARY TAKE-UP GUARD)
 508518 THREAD CUTTER (ON FACE PLATE)
 508873 FACE PLATE
 512021 ROTARY TAKE-UP COVER WINDOW WASHER

PART NO. DESCRIPTION

PART NO. DESCRIPTION



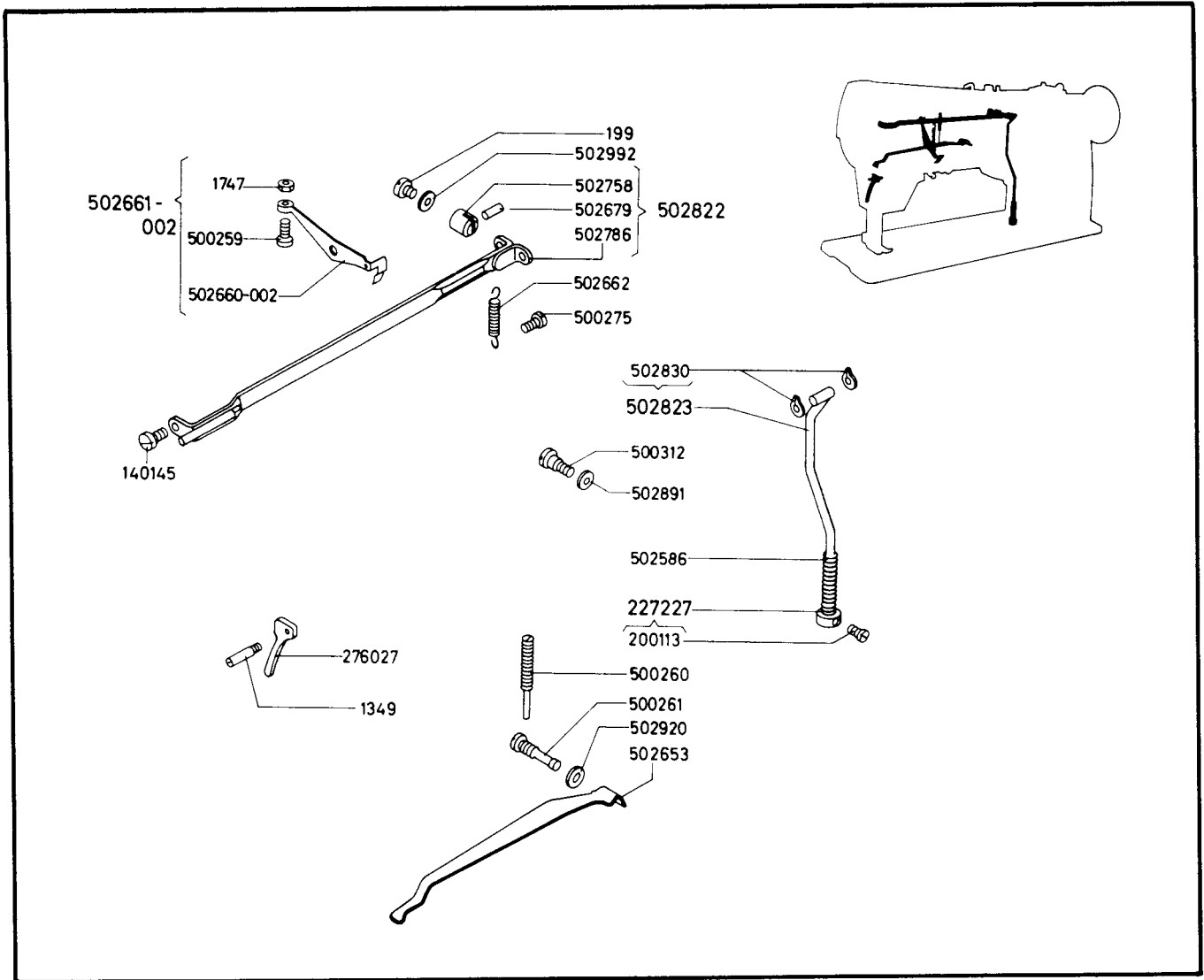
457 G 133-200-(0271)

001259-833	NEEDLE BAR CRANK STUD POSITION SCREW
050429-833	BOBBIN WINDER DRIVING WHEEL SCREW (2)
140172-833	NEEDLE BAR CRANK STUD PINCH SCREW
141566-833	MACHINE PULLEY POSITION SCREW
141567-833	MACHINE PULLEY SET SCREW
214206	ARM SHAFT CONNECTION BELT PULLEY SPRING FLANGE
270161	NEEDLE BAR CRANK STUD PIN
270266	NEEDLE BAR CONNECTING LINK NEEDLE BEARING
272142	MACHINE PULLEY BALL BEARING
272143	ARM SHAFT BALL BEARING
276114	NEEDLE BAR CONNECTING LINK THRUST WASHER
500244-850	ROTARY TAKE-UP SCREW (2)
500272-833	ARM SHAFT CONNECTION BELT PULLEY SCREW
500272-833	ARM SHAFT CONNECTION BELT PULLEY POSITION SCREW
500307-850	ARM SHAFT BUSHING (CENTER) SCREW
500320-833	ARM HEAD OIL DRAIN WICK SLINGER SET SCREW (2)
502508	ARM SHAFT CONNECTION BELT
502509	ARM SHAFT CONNECTION BELT PULLEY
502510	ARM SHAFT OIL SHIELD

502607	NEEDLE BAR CRANK STUD
502655	ROTARY TAKE-UP
502659	ROTARY TAKE-UP MOUNTING DISC
502681-002	ARM SHAFT WITH 1259, 140172 AND 502723-002
502694	NEEDLE BAR CRANK STUD WITH 270161 AND 502607
502723-002	ARM SHAFT AND NEEDLE BAR CRANK WITH 502927
502763	ARM SHAFT BUSHING (CENTER)
502831	ARM SHAFT BUSHING (CENTER) SCREW PLUG
502914	ARM HEAD OIL DRAIN WICK SLINGER CPL., NOS. 502915 AND TWO 500320
502915	ARM HEAD OIL DRAIN WICK SLINGER
502927	ARM SHAFT AND NEEDLE BAR CRANK PIN
502992	ARM SHAFT BUSHING (CENTER) SCREW GASKET SCREW
508544	BOBBIN WINDER DRIVING WHEEL CPL. WITH TWO 50429
508585	NEEDLE BAR CONNECTING LINK WITH 270266
508820	MACHINE PULLEY WITH 141566, 141567 AND 272142
508931	ARM SHAFT CONNECTION BELT PULLEY CPL., NOS. 214206, 502509 AND TWO 500272

PART NO. DESCRIPTION

PART NO. DESCRIPTION



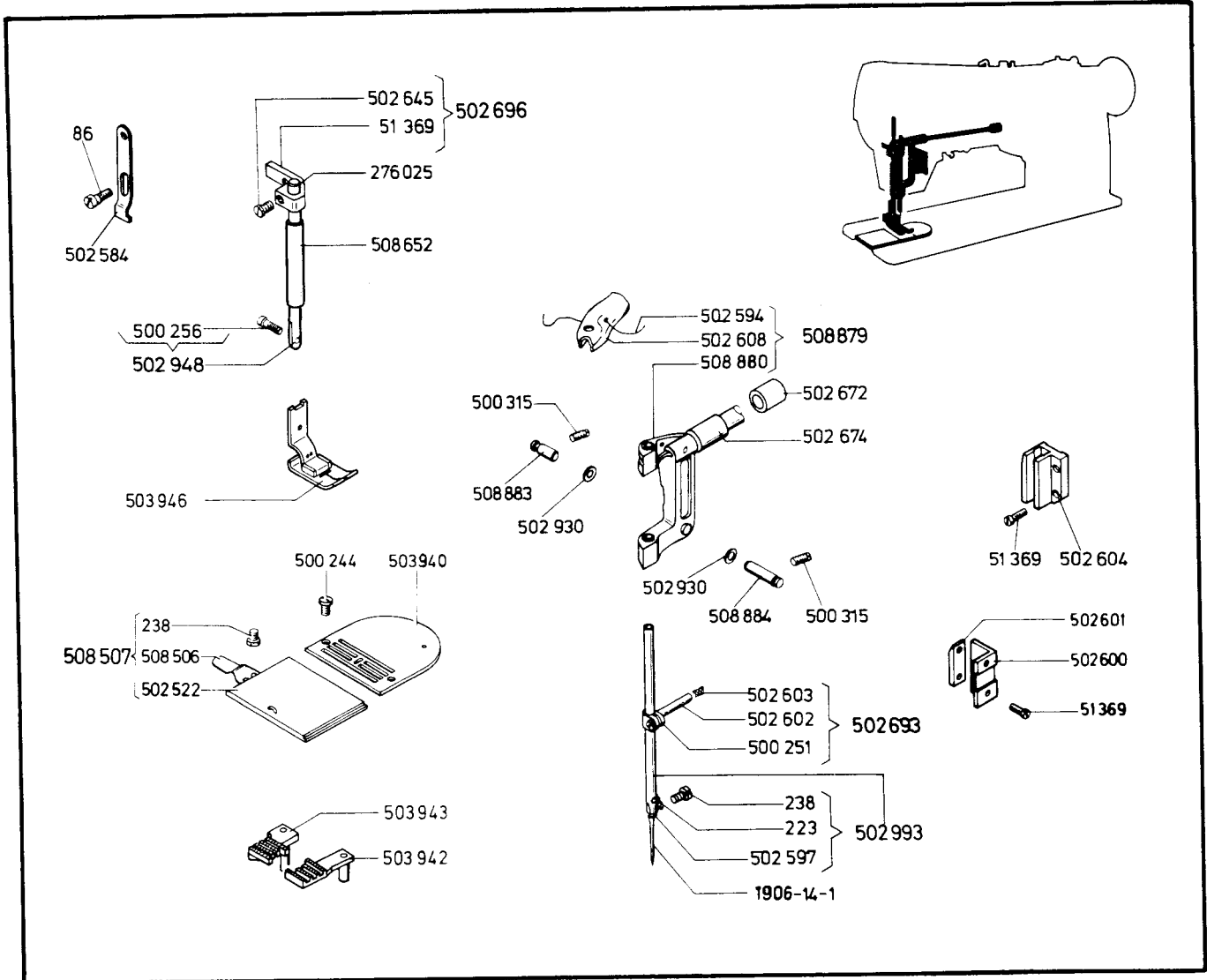
457 G133-300-(0271)

000199-850 K NEE LIFTER ROCK FRAME HINGE STUD LOCK SCREW
 001349-850 PRESSER BAR LIFTER HINGE SCREW
 001747-850 TENSION RELEASER ADJUSTING SCREW LOCK NUT
 140145-850 K NEE LIFTER ROCK FRAME HINGE SCREW
 200113-850 K NEE LIFTER LIFTING ROD COLLAR SET SCREW
 276027 PRESSER BAR LIFTER
 227227 K NEE LIFTER LIFTING ROD COLLAR WITH 200113
 500259-850 TENSION RELEASER ADJUSTING SCREW
 500260-833 PRESSER BAR SPRING SCREW
 500261-850 PRESSER BAR SPRING SCREW STUD
 500275-850 TENSION RELEASER HINGE SCREW
 500312-850 SINGER LIGHT STUD HOLE SCREW PLUG (FOR UN-USED HOLE)
 502586 K NEE LIFTER LIFTING ROD SPRING

502653 PRESSER BAR SPRING
 502660-002 TENSION RELEASER
 502661-002 TENSION RELEASER CPL. NOS. 1747, 500259 AND 502660-002
 502662 TENSION RELEASER SPRING
 502679 K NEE LIFTER ROCK FRAME HINGE STUD PIN
 502758 K NEE LIFTER ROCK FRAME HINGE STUD
 502786 K NEE LIFTER ROCK FRAME
 502822 K NEE LIFTER ROCK FRAME WITH 502679, 502758 AND 502786
 502823 K NEE LIFTER LIFTING ROD WITH TWO 502830
 502830 K NEE LIFTER LIFTING ROD GRIP RING (2)
 502891 SINGER LIGHT STUD HOLE SCREW PLUG GASKET
 502920 PRESSER BAR SPRING SCREW STUD GASKET
 502992 ARM SHAFT BUSHING (CENTER) SCREW GASKET RING

PART NO. DESCRIPTION

PART NO. DESCRIPTION



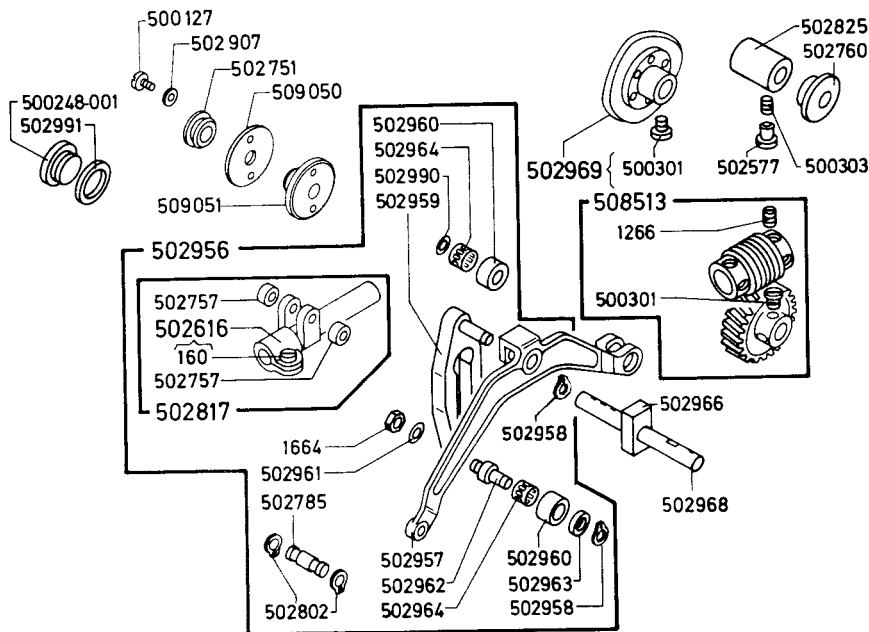
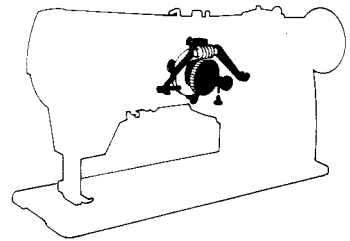
457 G133-400-(0271)

- 000086-850 KNEE LIFTER LIFTING SCREW
- 000223-850 NEEDLE SET SCREW
- 000238-850 NEEDLE BAR THREAD GUIDE SET SCREW
- 000238-850 BED SLIDE SPRING SCREW (2)
- 001906-14-1 NEEDLE
- 051369-850 NEEDLE BAR CONNECTING STUD GUIDE BLOCK SCREW (2)
- 051369-850 PRESSER BAR POSITION GUIDE PINCH SCREW
- 051369-850 NEEDLE BAR CONNECTING LINK CLAMPING PLATE SCREW (2)
- 276025 PRESSER BAR BALL
- 500244-850 THROAT PLATE SCREW (2)
- 500251-850 NEEDLE BAR CONNECTING STUD PINCH SCREW
- 500256-850 PRESSER FOOT SCREW
- 500315-833 NEEDLE BAR YOKE GUIDE SET SCREW (2)
- 502522 BED SLIDE
- 502584 KNEE LIFTER LIFTING LINK
- 502594 NEEDLE BAR OIL FELT CORD
- 502597 NEEDLE BAR THREAD GUIDE
- 502600 NEEDLE BAR CONNECTING LINK GUIDE BLOCK
- 502601 NEEDLE BAR CONNECTING LINK CLAMP PLATE
- 502602 NEEDLE BAR CONNECTING STUD
- 502603 NEEDLE BAR CONNECTING STUD OIL WICK
- 502604 NEEDLE BAR CONNECTING STUD GUIDE BLOCK

- 502608 NEEDLE BAR OIL FELT
- 502645 PRESSER BAR POSITION GUIDE
- 502672 NEEDLE BAR YOKE BEARING (BACK)
- 502674 NEEDLE BAR YOKE BEARING (FRONT)
- 502693 NEEDLE BAR CONNECTING STUD WITH 500251, 502602 AND 502603
- 502696 PRESSER BAR POSITION GUIDE WITH 51369 AND 502645
- 502930 NEEDLE BAR YOKE GUIDE SEAL (FRONT AND REAR) (2)
- 502948 PRESSER BAR WITH PRESSER FOOT SCREW 500256
- 502993 NEEDLE BAR CPL., NOS. 223, 238 AND 502597
- 503940 THROAT PLATE
- 503942 FEED DOG (FRONT)
- 503943 FEED DOG (REAR)
- 503946 PRESSER FOOT (HINGED)
- 508506 BED SLIDE SPRING
- 508507 BED SLIDE CPL., NOS. 502522, 508506 AND TWO 238
- 508652 PRESSER BAR BUSHING
- 508879 NEEDLE BAR YOKE WITH OIL FELT CPL., NOS. 502608, 502594 AND 508880
- 508880 NEEDLE BAR YOKE
- 508883 NEEDLE BAR YOKE GUIDE (REAR)
- 508884 NEEDLE BAR YOKE GUIDE (FRONT)

PART NO. DESCRIPTION

PART NO. DESCRIPTION



457 G 133 - 500 - (0271)

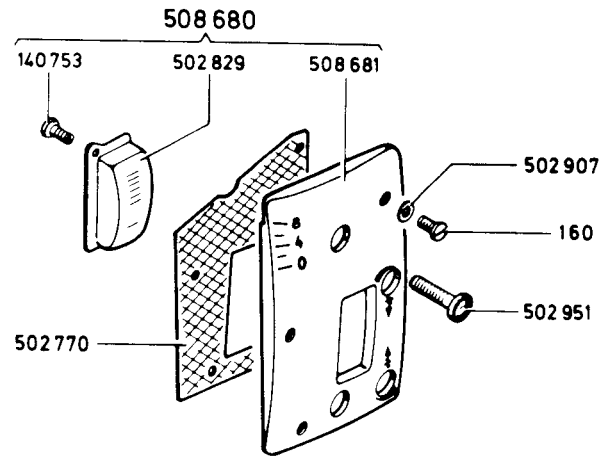
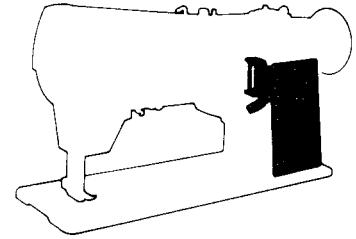
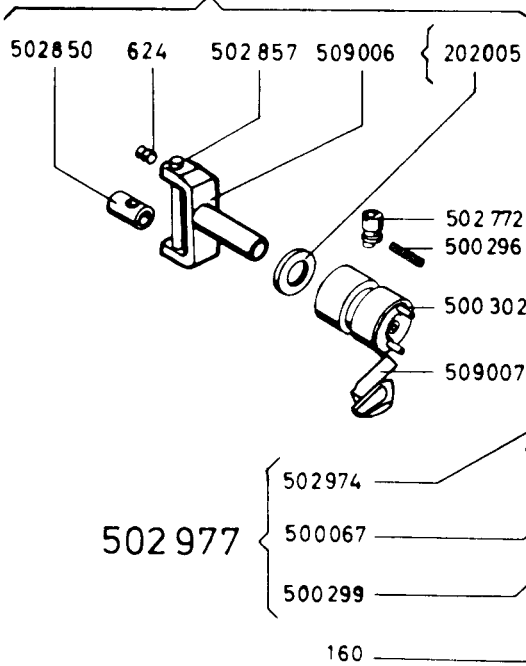
000160-850	NEEDLE BAR YOKE CONNECTING LINK HINGE BEARING PINCH SCREW
001266-833	NEEDLE VIBRATING WORM WHEEL SET SCREW (4)
001664-850	NEEDLE VIBRATING CAM ROLLER STUD NUT
500127-850	NEEDLE VIBRATING ECCENTRIC SHAFT BUSHING (BACK) SCREW (2)
500248-001	ARM PLUG SCREW
500301-850	NEEDLE VIBRATING WORM GEAR SCREW (2)
500301-850	NEEDLE VIBRATING CAM SCREW (2)
500303-869	NEEDLE VIBRATING CAM SHAFT BUSHING (FRONT) SET SCREW
502577	NEEDLE VIBRATING CAM SHAFT BUSHING (FRONT) SET SCREW PLUG
502616	NEEDLE BAR YOKE CONNECTING LINK HINGE BEARING WITH 160
502751	NEEDLE VIBRATING CAM SHAFT BUSHING (BACK) PLUG
502757	NEEDLE BAR YOKE CONNECTING LINK HINGE BEARING BUSHING (2)
502760	NEEDLE VIBRATING CAM SHAFT BUSHING (FRONT) PLUG
502785	NEEDLE BAR YOKE CONNECTING LINK HINGE BEARING STUD
502802	NEEDLE BAR YOKE CONNECTING LINK HINGE BEARING STUD SNAP RING (2)
502817	NEEDLE BAR YOKE CONNECTING LINK HINGE BEARING WITH 502616 AND TWO 502757
502825	NEEDLE VIBRATING CAM SHAFT BUSHING (FRONT)

502907	NEEDLE VIBRATING ECCENTRIC SHAFT BUSHING (BACK) GASKET RING (2)
502956	NEEDLE BAR YOKE CONNECTING LINK CPL. 1664, 502785, 502963, 502817, 502957, 502959, 502961, 502962, 502990, AND TWO EACH 502802, 502958, 502960, 502963 AND 502964
502957	NEEDLE BAR YOKE CONNECTING LINK
502958	NEEDLE BAR YOKE CONNECTING LINK SNAP RING (2)
502959	NEEDLE VIBRATING CAM ROLLER GUIDE
502960	NEEDLE VIBRATING CAM ROLLER (2)
502961	NEEDLE VIBRATING CAM ROLLER STUD SPRING WASHER
502962	NEEDLE VIBRATING CAM ROLLER STUD
502963	NEEDLE VIBRATING CAM ROLLER STUD WASHER
502964	NEEDLE VIBRATING CAM ROLLER NEEDLE BEARING CAGE (2)
502966	NEEDLE VIBRATING CAM SHAFT SLIDE BLOCK
502968	NEEDLE VIBRATING CAM SHAFT
502969	NEEDLE VIBRATING CAM WITH TWO 500301
502990	NEEDLE VIBRATING CAM ROLLER SPRING WASHER
502991	ARM PLUG SCREW GASKET RING
508513	PAIR OF NEEDLE VIBRATING WORM AND NEEDLE VIBRATING WORM WHEEL WITH TWO 500301 AND FOUR 1266
509050	NEEDLE VIBRATING ECCENTRIC SHAFT BUSHING (BACK) SPACER
509051	NEEDLE VIBRATING ECCENTRIC SHAFT BUSHING (BACK)

PART NO. DESCRIPTION

PART NO. DESCRIPTION

509005



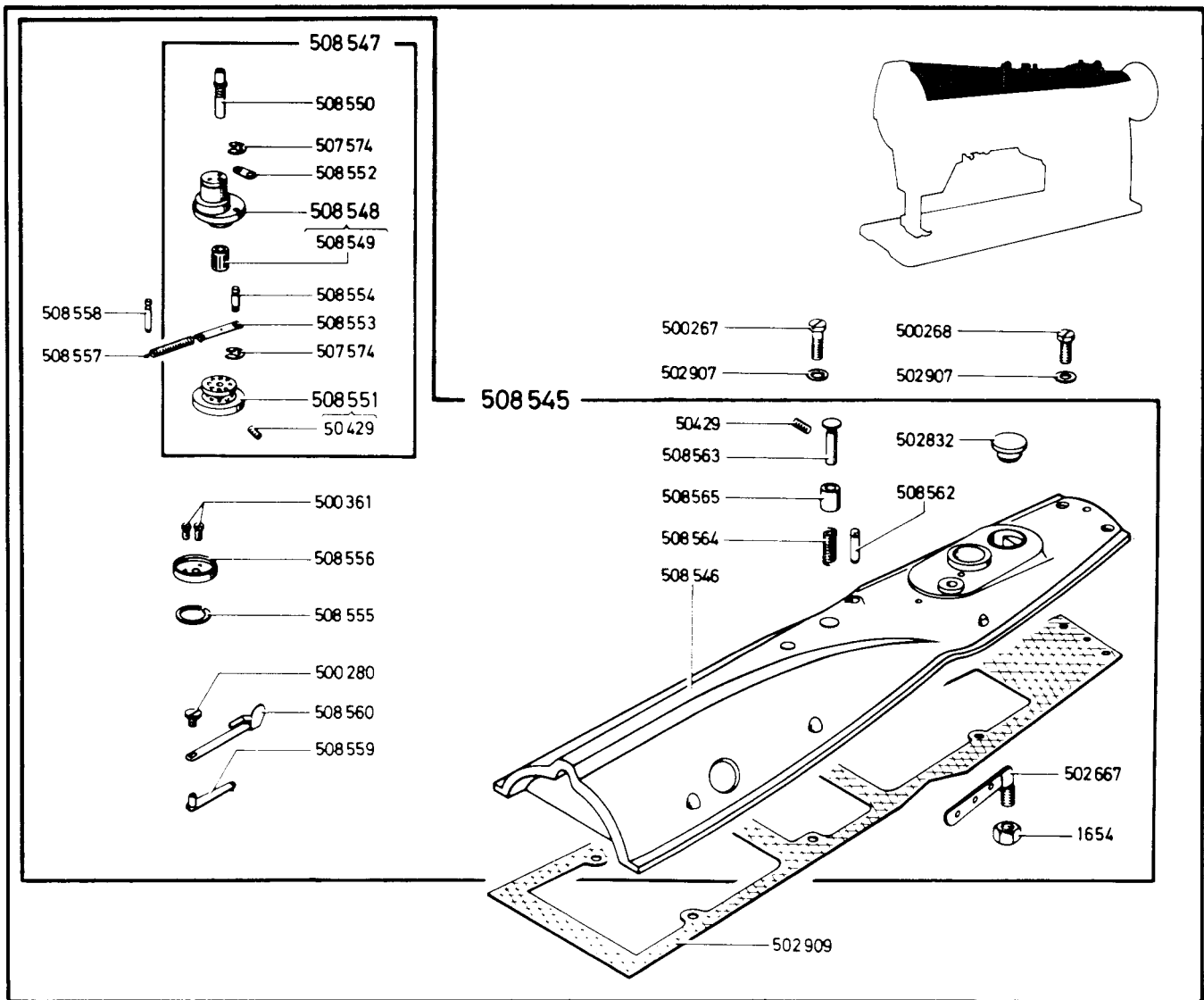
457 G133-600-(0271)

000160-850 NEEDLE POSITION ADJUSTING CAM SLIDING BLOCK BRACKET SCREW (2)
 000160-850 ARM COVER (FRONT) SCREW (3)
 000624-833 NEEDLE BAR YOKE CONNECTING LINK CARRIER FRAME SLIDE STUD SET SCREW (2)
 140753-850 STITCH LENGTH INDICATOR PLATE SCREW (2)
 202005 WASHER
 500067-833 NEEDLE POSITION ADJUSTING CAM STOP SCREW SET SCREW (2)
 500296-833 NEEDLE POSITION ADJUSTING CAM REGULATING STUD SET SCREW
 500299-850 NEEDLE POSITION ADJUSTING CAM STOP SCREW (2)
 500302-850 NEEDLE BAR YOKE CONNECTION LINK CARRIER FRAME BUSHING SET SCREW (2)
 502770 ARM COVER (FRONT) GASKET
 502772 NEEDLE POSITION ADJUSTING CAM REGULATING STUD
 502829 STITCH LENGTH INDICATOR PLATE

502850 NEEDLE BAR YOKE CONNECTING LINK SLIDE BEARING
 502857 NEEDLE BAR YOKE CONNECTING LINK CARRIER FRAME SLIDE STUD
 502907 ARM COVER (BACK) SCREW RING (3)
 502951-850 NEEDLE POSITION ADJUSTING CAM SET SCREW
 502974 NEEDLE POSITION ADJUSTING CAM SLIDE BLOCK BRACKET
 502977 NEEDLE POSITION ADJUSTING CAM SLIDE BLOCK BRACKET CPL., NOS. 502974 AND TWO EACH 500067, 500299
 508680 ARM COVER (FRONT) CPL., NOS. 508681, 502829 AND TWO 140753
 508681 ARM COVER (FRONT)
 509005 NEEDLE BAR YOKE CONNECTING LINK CARRIER FRAME CPL., NOS. 624, 502850, 502857 AND 509006
 509006 NEEDLE BAR YOKE CONNECTING LINK CARRIER FRAME WITH 202005
 509007 NEEDLE POSITION ADJUSTING LEVER

PART NO. DESCRIPTION

PART NO. DESCRIPTION



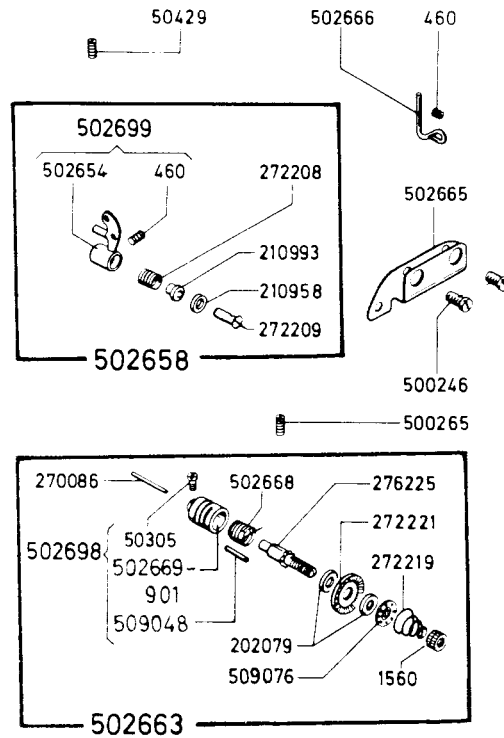
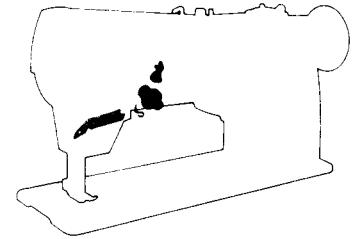
457 G 133-700-(0271)

001654-850 THREAD RETAINER LOCK NUT
 050429-833 BOBBIN WINDER SHAFT FRICTION WHEEL PIN (2)
 050429-833 ARM COVER (TOP) THREAD TENSION STUD PIN
 500267-850 ARM COVER (TOP) SCREW (LONG) (4)
 500268-850 ARM COVER (TOP) SCREW (SHORT) (4)
 500280-850 ARM (TOP) TRIP LEVER FASTENING SCREW
 500280-850 BOBBIN WINDER SHAFT BUSHING (ECCENTRIC) THREAD
 500361-850 GUARD FASTENING SCREW (2)
 502667 THREAD RETAINER
 502832 ARM COVER (TOP) PLUG
 502907 ARM COVER (TOP) SCREW (LONG AND SHORT) (8)
 502909 ARM COVER (TOP) GASKET
 507574 BOBBIN WINDER SHAFT BUSHING (ECCENTRIC) LINK
 STUD LOCKING WASHER (2)
 508545 ARM COVER (TOP) WITH BOBBIN WINDER CPL. NOS.
 1654, 50429, 500280, 500361 (2), 502667, 502832, 508546,
 508547, 508555 TO 508565
 508546 ARM COVER (TOP)
 508547 BOBBIN WINDER SHAFT BUSHING (ECCENTRIC) WITH
 FRICTION WHEEL CPL. NOS. 508548, 508550 TO 508554,
 TWO 507574

508548 BOBBIN WINDER SHAFT BUSHING (ECCENTRIC) WITH 508549
 508549 BOBBIN WINDER SHAFT BUSHING (ECCENTRIC) ROLLER
 CLUTCH
 508550 BOBBIN WINDER SHAFT
 508551 BOBBIN WINDER SHAFT FRICTION WHEEL WITH TWO 50429
 508552 BOBBIN WINDER SHAFT BUSHING (ECCENTRIC)
 508553 BOBBIN WINDER SHAFT BUSHING (ECCENTRIC) SPRING
 SHACKLE
 508554 BOBBIN WINDER SHAFT BUSHING (ECCENTRIC) LINK STUD
 508555 BOBBIN WINDER SHAFT BUSHING (ECCENTRIC) SNAP RING
 508556 BOBBIN WINDER SHAFT BUSHING (ECCENTRIC) THREAD
 GUARD
 508557 BOBBIN WINDER SHAFT BUSHING (ECCENTRIC) COIL SPRING
 508558 BOBBIN WINDER SHAFT BUSHING (ECCENTRIC) COIL SPRING
 STUD
 508559 ARM COVER (TOP) ROCKING LEVER
 508560 ARM COVER (TOP) TRIP LEVER
 508562 ARM COVER (TOP) THREAD GUIDE STUD
 508563 ARM COVER (TOP) THREAD TENSION STUD
 508564 ARM COVER (TOP) THREAD TENSION STUD SPRING
 508565 ARM COVER (TOP) THREAD TENSION STUD DISC

PART NO. DESCRIPTION

PART NO. DESCRIPTION



457 G 133-800-(0271)

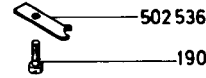
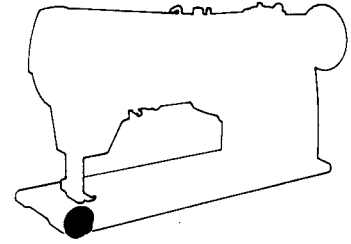
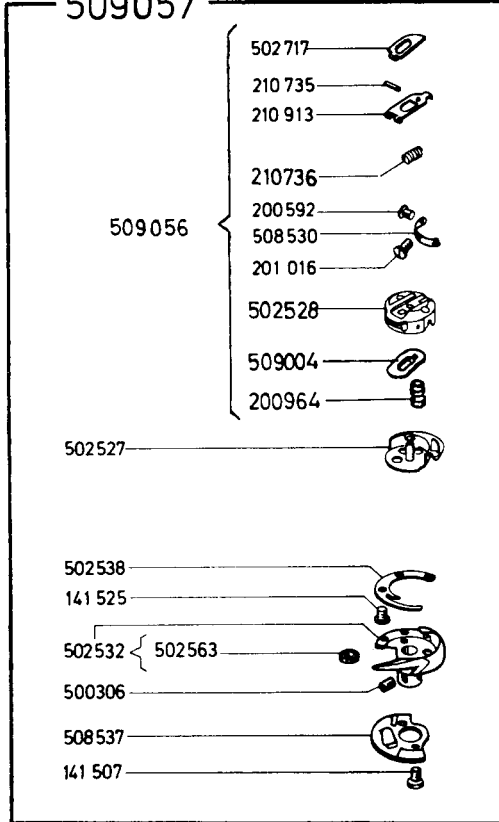
000460-833 THREAD PULL OFF SET SCREW
 000460-833 PRETENSION BRACKET SCREW
 001560-850 TENSION THUMB NUT
 050305-850 TENSION STUD SET SCREW
 050429-833 PRETENSION BRACKET SCREW
 202079 TENSION FELT WASHER (2)
 210958 PRETENSION BRACKET COLLAR
 210993 PRETENSION BRACKET SLEEVE
 270086 TENSION RELEASING PIN
 272208 PRETENSION BRACKET SPRING
 272209 PRETENSION BRACKET STUD
 272219 TENSION SPRING
 272221 TENSION WHEEL
 276225 TENSION STUD
 500246-850 THREAD GUIDE SCREW (2)

500265-833 THREAD REGULATOR SET SCREW
 502654 PRETENSION BRACKET
 502658 PRETENSION BRACKET CPL., NOS. 210958, 210993, 272208, 272209 AND 502699
 502663 TENSION CPL., NOS. 1560, 270086, 272219, 272221, 276225, 502668, 502698, 509076 AND TWO 202079
 502665 THREAD GUIDE
 502666 THREAD PULL OFF
 502668 THREAD TAKE-UP SPRING
 502669-901 THREAD TAKE-UP SPRING REGULATOR
 502698 THREAD TAKE-UP SPRING REGULATOR 502669 WITH 50305 AND 509048
 502699 PRETENSION BRACKET WITH 460 AND 502654
 509048 THREAD TAKE-UP SPRING REGULATOR
 509076 TENSION RELEASING DISC

PART NO. DESCRIPTION

PART NO. DESCRIPTION

509057



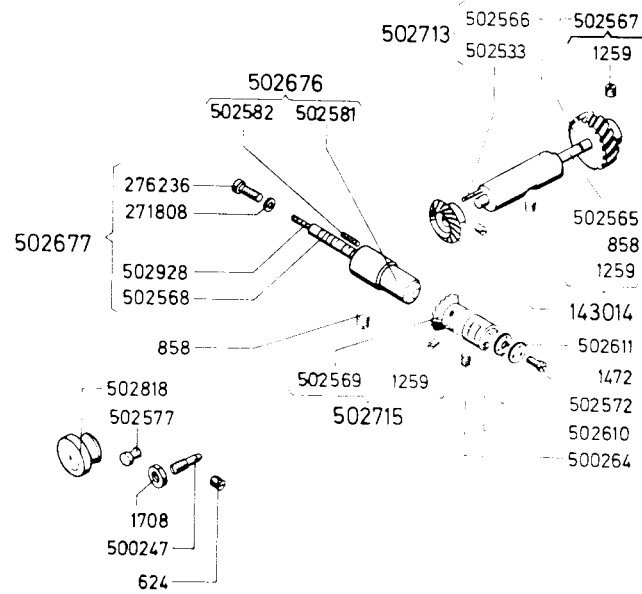
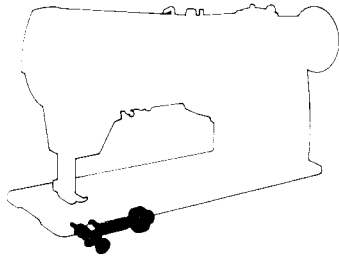
457 G 133-900-(0271)

000190-850	BOBBIN CASE STOP SCREW
141507-850	HOOK NEEDLE GUARD AND COUNTERBALANCE SCREW
141525-850	HOOK GIB SCREW (3)
200592-850	BOBBIN CASE CAP TENSION SPRING SCREW
200964-850	BOBBIN CASE LATCH STOP SCREW
201016-833	BOBBIN CASE CAP TENSION SPRING REGULATING SCREW
210735	BOBBIN CASE LATCH FULCRUM PIN
210736	BOBBIN CASE LATCH SPRING
210913	BOBBIN CASE LATCH
233028	BOBBIN
500306-869	HOOK SET SCREW (2)
502527	BOBBIN CASE BASE

502528	BOBBIN CASE CAP
502532	HOOK BODY WITH 502563
502536	BOBBIN CASE STOP
502538	HOOK GIB
502563	HOOK OIL RETAINING WASHER
502717	BOBBIN CASE LATCH LEVER
508530	BOBBIN CASE TENSION SPRING
508537	HOOK NEEDLE GUARD AND COUNTERBALANCE
509004	BOBBIN CASE ANTI SPILLAGE SPRING
509056	BOBBIN CASE CAP CPL. NOS. 200592, 200964, 201016, 210735, 210736, 210913, 502528, 502717, 508530 AND 509004
509057	HOOK AND BOBBIN CASE CPL. NOS. 141507, 141525, 500306, 502527, 502532, 502538, 508537 AND 509056

PART NO. DESCRIPTION

PART NO. DESCRIPTION



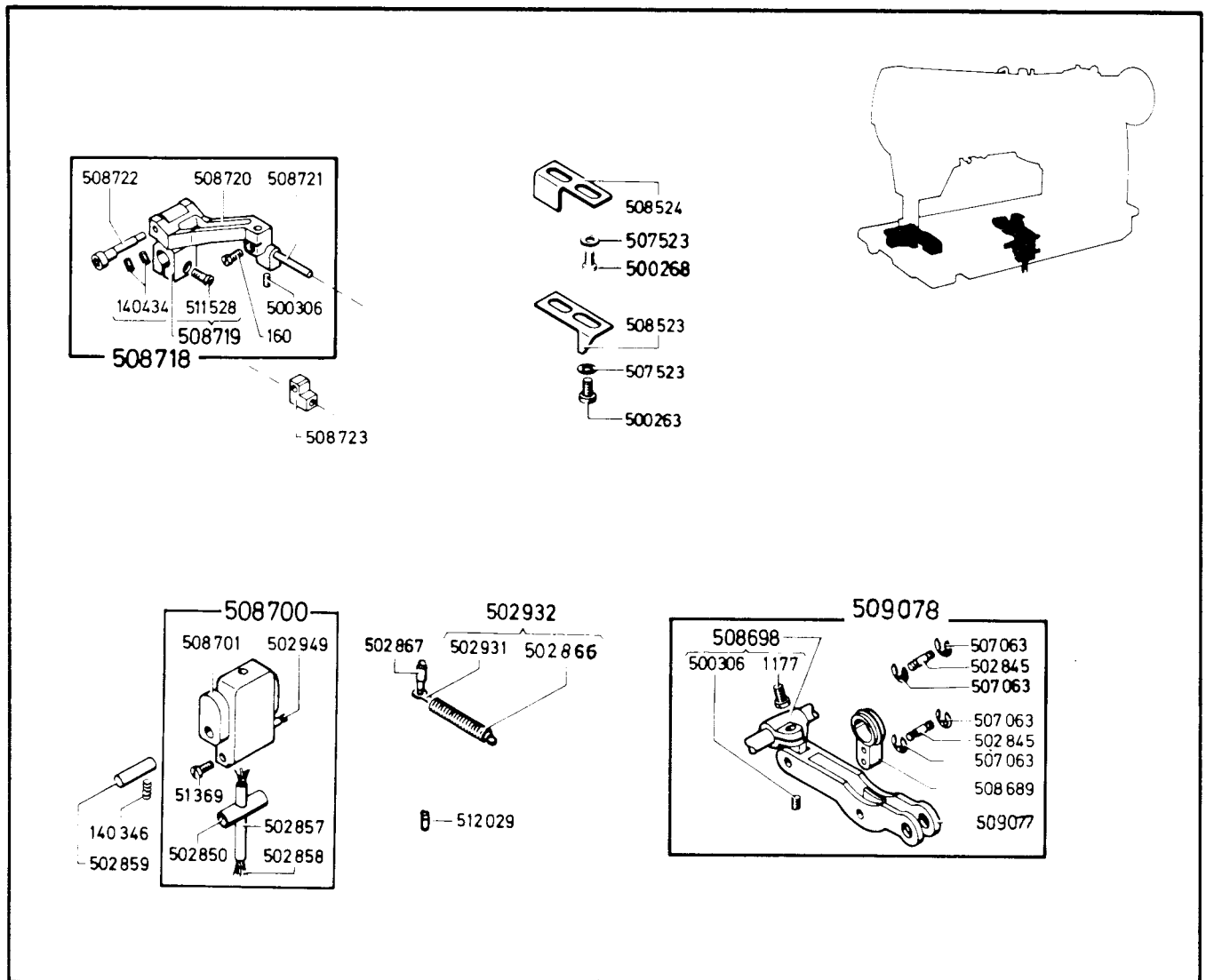
457 G 133-1000-(0271)

000624-833 HOOK OIL BYPASS PLUG SCREW
 000858-833 HOOK DRIVING SHAFT BUSHING SET SCREW
 000858-833 HOOK SHAFT PRESSURE BUSHING SET SCREW
 001259-833 HOOK DRIVING SHAFT HELICAL GEAR SET SCREW (2)
 001259-833 HOOK DRIVING SHAFT BEVEL GEAR SET SCREW (2)
 001259-833 HOOK SHAFT BEVEL GEAR SET SCREW (2)
 001472-850 HOOK SHAFT BUSHING (FRONT) SET SCREW (3)
 001708-850 HOOK OIL BYPASS PLUG SCREW NUT
 143014 HOOK DRIVING SHAFT BEVEL GEAR WITH TWO 1259
 271808 HOOK SHAFT OIL FILTER WICK HOLDER SEAL
 276236-805 HOOK SHAFT OIL WICK HOLDER
 500247-833 HOOK OIL REGULATING SCREW
 500264-833 HOOK SHAFT FRONT SET SCREW
 502533 HOOK DRIVING SHAFT BUSHING OIL WICK
 502565 HOOK DRIVING SHAFT
 502566 HOOK DRIVING SHAFT BUSHING
 502567 HOOK DRIVING SHAFT HELICAL GEAR WITH TWO 1259

502568 HOOK SHAFT
 502569 HOOK SHAFT BEVEL GEAR
 502572 HOOK SHAFT BUSHING CAP GASKET
 502577 HOOK SHAFT GEAR BOX PLUG
 502581 HOOK SHAFT PRESSURE BUSHING
 502582 HOOK SHAFT PRESSURE BUSHING OIL WICK
 502610 HOOK SHAFT BUSHING (FRONT)
 502611 HOOK SHAFT BUSHING CAP
 502676 HOOK SHAFT PRESSURE BUSHING 502581 WITH 502582
 502677 HOOK SHAFT FILTER CPL., NOS. 271808, 276236, 502568
 AND 502928
 502713 HOOK DRIVING SHAFT BUSHING WITH 502533 AND 502566
 502715 HOOK SHAFT BEVEL GEAR 502569 WITH TWO 1259
 502818 HOOK GEAR BOX VENT CAP
 502928 HOOK SHAFT OIL FILTER FELT (WICK)

PART NO. DESCRIPTION

PART NO. DESCRIPTION

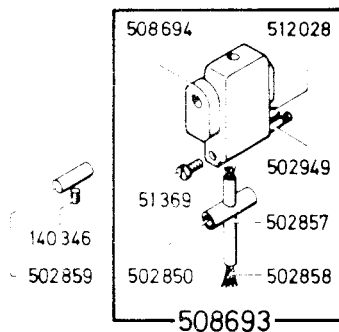
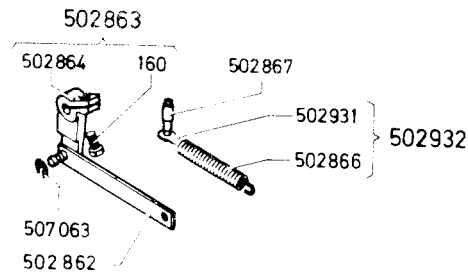
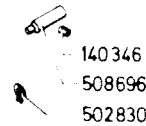
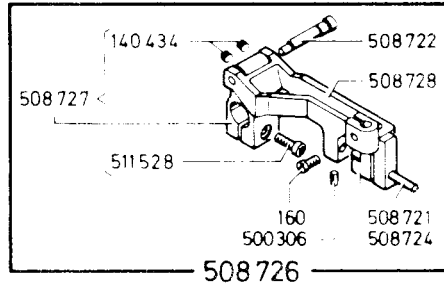
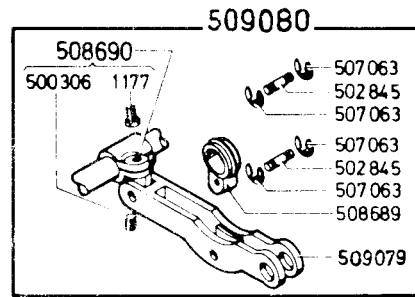
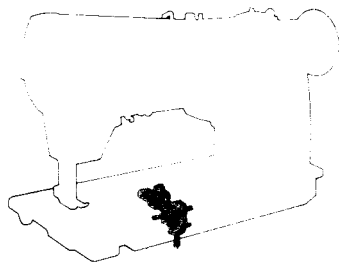


457 G 133-1100-(0271)

000160-850	FEED DOG PINCH SCREW	502949	FEED DRIVING CONNECTION CARRIER FRAME SPRING STUD (DIFFERENTIAL)
001177-850	FEED DRIVING CONNECTION CRANK PINCH SCREW (DIFF.)	507063	FEED DRIVING CONNECTION LEVER HINGE PIN
051369-850	FEED DRIVING CONNECTION CARRIER FRAME SLIDE STUD SET SCREW (DIFFERENTIAL)		RETAINING RING (4)
140346-833	FEED DRIVING CONNECTION CARRIER FRAME DRIVING STUD SET SCREW	507523	FEED DRIVING CONNECTION CARRIER FRAME STOP SCREW WASHER (2)
140434-869	FEED BAR HINGE PIN SET SCREW (2)	508523	FEED DRIVING CONNECTION CARRIER FRAME STOP (BACK) (2)
500263-850	FEED DRIVING CONNECTION CARRIER FRAME STOP SCREW (2)	508524	FEED DRIVING CONNECTION CARRIER FRAME STOP (FRONT) (2)
500268-850	FEED DRIVING CONNECTION CARRIER FRAME STOP SCREW (2)	508689	FEED DRIVING CONNECTION LINK (DIFFERENTIAL)
500306-869	FEED BAR LIFTING LINK CONNECTION PIN SET SCREW	508698	FEED DRIVING CONNECTION CRANK WITH 1177 AND 500306
500306-869	FEED DRIVING CONNECTION LEVER HINGE PIN (ECCENTRIC) SET SCREW	508700	FEED DRIVING CONNECTION CARRIER FRAME CPL., NOS. 51369, 502850, 502857, 502858, 502949 AND 508701
502845	FEED DRIVING CONNECTION LEVER HINGE PIN (DIFF.) (2)	508701	FEED DRIVING CONNECTION CARRIER FRAME
502850	FEED DRIVING CONNECTION LEVER SLIDE BEARING (DIFFERENTIAL)	508718	FEED DRIVING ROCK SHAFT CRANK CPL., NOS. 160, 500306, 508719, 508720, 508721 AND 508722
502857	FEED DRIVING CONNECTION CARRIER FRAME SLIDE STUD (DIFFERENTIAL)	508719	FEED DRIVING ROCK SHAFT CRANK WITH 511528 AND TWO 140434
502858	FEED DRIVING CONNECTION CARRIER FRAME SLIDE STUD OIL WICK (DIFFERENTIAL)	508720	FEED BAR
502859	FEED DRIVING CONNECTION CARRIER FRAME BEARING STUD (LEFT) (DIFFERENTIAL)	508721	FEED BAR LIFTING LINK CONNECTION PIN
502866	FEED DRIVING CONNECTION CARRIER FRAME SPRING (2)	508722	FEED BAR HINGE PIN
502867	FEED DRIVING CONNECTION FRAME SPRING STUD (2)	508723	FEED BAR LIFTING LINK
502931	FEED DRIVING CONNECTION CARRIER FRAME SPRING RETAINER (2)	509077	FEED DRIVING CONNECTION LEVER
502932	FEED DRIVING CONNECTION CARRIER FRAME SPRING 502866 WITH 502931 (2)	509078	FEED DRIVING CONNECTION CPL., NOS. 502845 (2), 508689, 508698, 509077 AND FOUR 507063
		511528-869	FEED DRIVING ROCK SHAFT CRANK PINCH SCREW
		512029	FEED DRIV. CONNECTION CARRIER FRAME ROLL PIN

PART NO. DESCRIPTION

PART NO. DESCRIPTION



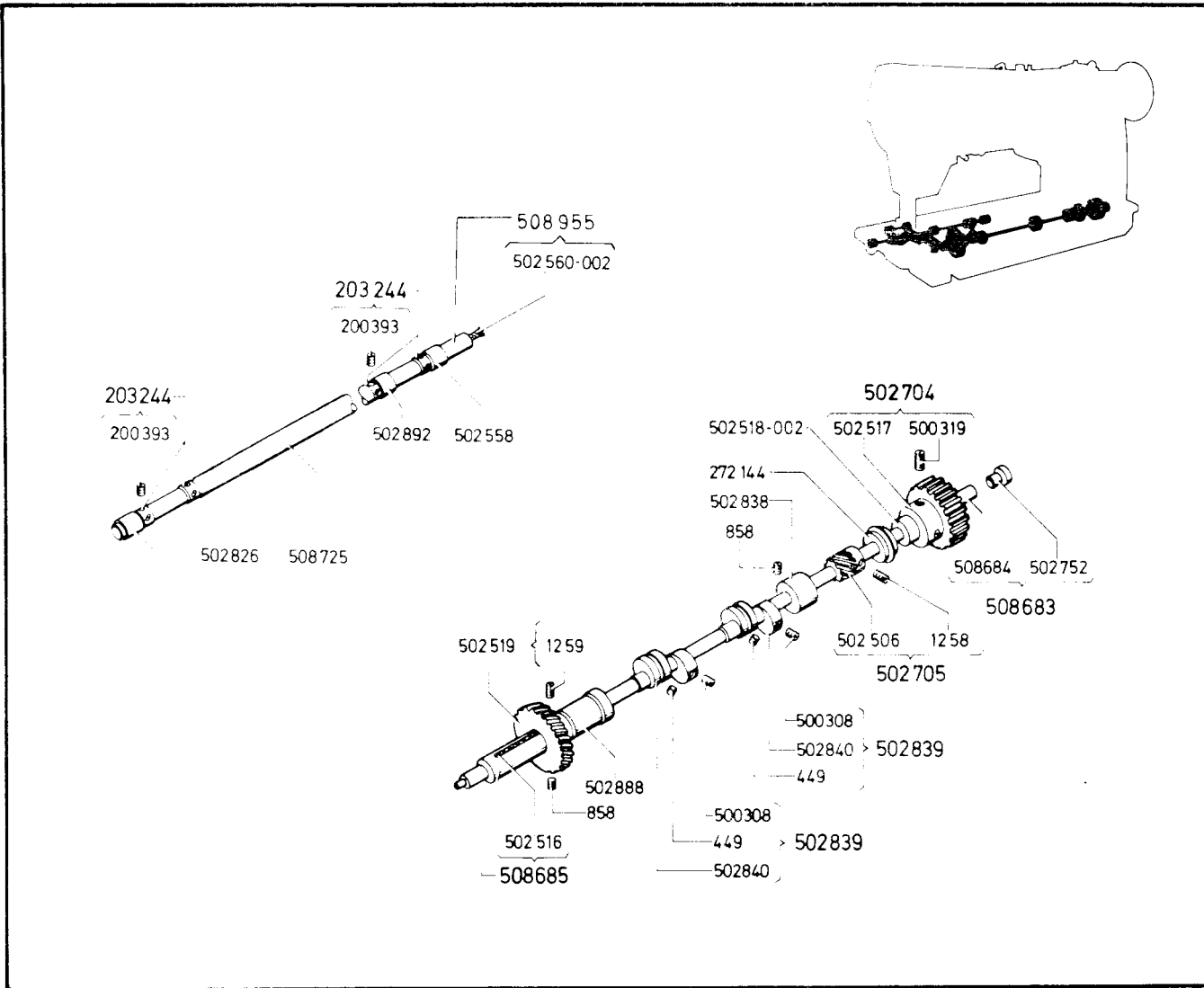
457 G133-1200-(0271)

000160-850	FEED REGULATING CONNECTION SHAFT CRANK PINCH SCREW
000160-850	FEED DOG PINCH SCREW (DIFFERENTIAL)
001177-850	FEED DRIVING CONNECTION CRANK PINCH SCREW
051369-850	FEED DRIVING CONNECTION CARRIER FRAME SLIDE STUD SET SCREW
140346-833	FEED DRIVING CONNECTION CARRIER FRAME DRIVING STUD SET SCREW (2)
140434-869	FEED BAR HINGE PIN SET SCREW (2) (DIFFERENTIAL)
500306-869	FEED DRIVING CONNECTION LEVER HINGE PIN SET SCREW (2)
500306-869	FEED BAR LIFTING LINK CONNECTION PIN SET SCREW (DIFFERENTIAL)
502830	FEED DRIVING CONNECTION CARRIER FRAME SPRING STUD GRIP RING
502845	FEED DRIVING CONNECTION LEVER HINGE PIN (2)
502850	FEED DRIVING CONNECTION LEVER SLIDE BEARING
502857	FEED DRIVING CONNECTION CARRIER FRAME SLIDE STUD
502858	FEED DRIVING CONNECTION CARRIER FRAME SLIDE STUD (DIFF.)
502859	FEED DRIVING CONNECTION CARRIER FRAME BEARING STUD (LEFT)
502862	FEED REGULATING CONNECTION SHAFT CRANK LINK
502863	FEED REGULATING CONNECTION SHAFT CRANK (CPL.), NOS. 160 AND 502864
502864	FEED REGULATING CONNECTION SHAFT CRANK
502866	FEED DRIVING CONNECTION CARRIER FRAME SPRING (2)
502867	FEED DRIVING CONNECTION CARRIER FRAME SPRING STUD (2)
502931	FEED DRIVING CONNECTION CARRIER FRAME SPRING RETAINER (2)

502932	FEED DRIVING CONNECTION CARRIER FRAME SPRING 502866 WITH 502931 (2)
502949	FEED DRIVING CONNECTION CARRIER FRAME SPRING STUD
507063	FEED DRIVING CONNECTION LEVER HINGE PIN RETAINER RING (4)
507063	FEED REGULATING CONNECTION SHAFT CRANK LINK RETAINING RING
508689	FEED DRIVING CONNECTION LINK
508696	FEED DRIVING CONNECTION CRANK WITH 1177 AND 500306
508696	FEED DRIVING CONNECTION CARRIER FRAME (DIFF.) CPL., NOS. 51369, 502850, 502857, 502858, 502949, 508694 AND 512028
508694	FEED DRIVING CONNECTION CARRIER FRAME (DIFF.)
508696	FEED DRIVING CONNECTION CARRIER FRAME HINGE PIN (DIFFERENTIAL) (RIGHT)
508721	FEED BAR LIFTING LINK CONNECTION PIN (DIFF.)
508722	FEED BAR HINGE PIN (DIFFERENTIAL)
508724	FEED BAR LIFTING LINK (DIFFERENTIAL)
508726	FEED DRIVING ROCK SHAFT CRANK (DIFF.) CPL., NOS. 160, 500306, 508721, 508722, 508724, 508727 AND 508728
508727	FEED DRIVING ROCK SHAFT CRANK (DIFFERENTIAL) WITH 511528 AND TWO 140434
508728	FEED BAR (DIFFERENTIAL)
509079	FEED DRIVING CONNECTION LEVER
509080	FEED DRIVING CONNECTION CPL., NOS. 502845 (2), 508689, 508690, 509079 AND FOUR 507063
511528-869	FEED DRIVING ROCK SHAFT CRANK PINCH SCREW (DIFF.)
512028	FEED REGULATING CONNECTION SHAFT CRANK LINK PIN

PART NO. DESCRIPTION

PART NO. DESCRIPTION



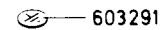
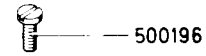
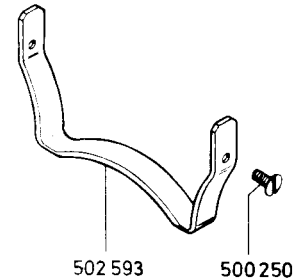
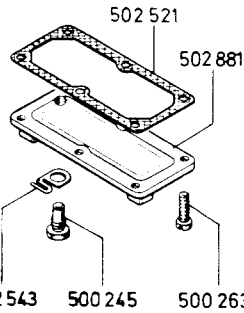
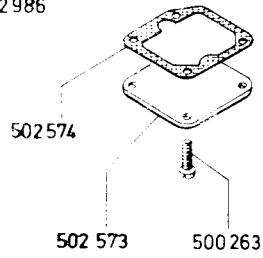
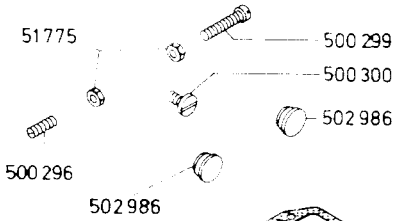
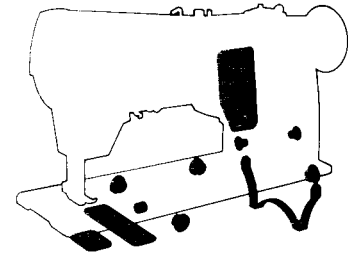
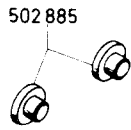
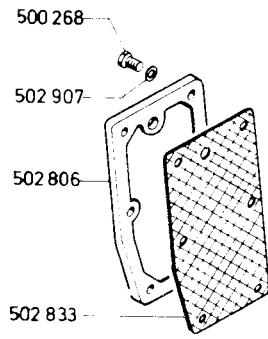
457 G 133-1300-(0271)

000449-833 FEED DRIVING ECCENTRIC SET SCREW (2)
 000858-833 BED SHAFT BUSHING (FRONT) (CENTER) (BACK) SET SCREW (3)
 001258-833 OIL PUMP DRIVING GEAR SET SCREW (2)
 001259-833 BED SHAFT GEAR SET SCREW (2)
 200393-833 FEED DRIVING ROCK SHAFT COLLAR SET SCREW (8)
 203244 FEED DRIVING ROCK SHAFT COLLAR (4) WITH TWO 200393
 272144 BED SHAFT BALL BEARING
 500308-833 FEED DRIVING ECCENTRIC POSITION SCREW (2)
 500319-859 BED CONNECTION BELT PULLEY SET SCREW (2)
 502506 OIL PUMP DRIVING GEAR
 502516 BED SHAFT BUSHING (OIL WICK)
 502517 BED CONNECTION BELT PULLEY
 502518-002 BED CONNECTION BELT PULLEY SPACER
 502519 BED SHAFT GEAR WITH TWO 1259
 502558 FEED DRIVING ROCK SHAFT BUSHING (BACK)

502560-002 FEED DRIVING ROCK SHAFT OIL WICK
 502704 BED CONNECTION BELT PULLEY WITH 502517 AND TWO 500319
 502705 OIL PUMP DRIVING GEAR WITH 502506 AND TWO 1258
 502517 BED SHAFT PLUG
 502826 FEED DRIVING ROCK SHAFT BUSHING (FRONT)
 502838 BED SHAFT BUSHING (BACK)
 502839 FEED DRIVING ECCENTRIC (2) WITH 449, 500308 AND 502840
 502840 FEED DRIVING ECCENTRIC (2)
 502888 BED SHAFT BUSHING (CENTER)
 502892 FEED DRIVING ROCK SHAFT BUSHING (CENTER)
 508683 BED SHAFT CPL., NOS. 502752 AND 508684
 508684 BED SHAFT
 508685 BED SHAFT BUSHING (FRONT) WITH 502516
 508725 FEED DRIVING ROCK SHAFT (DIFFERENTIAL)
 508955 FEED DRIVING ROCK SHAFT CPL., WITH 502560-002

PART NO. DESCRIPTION

PART NO. DESCRIPTION



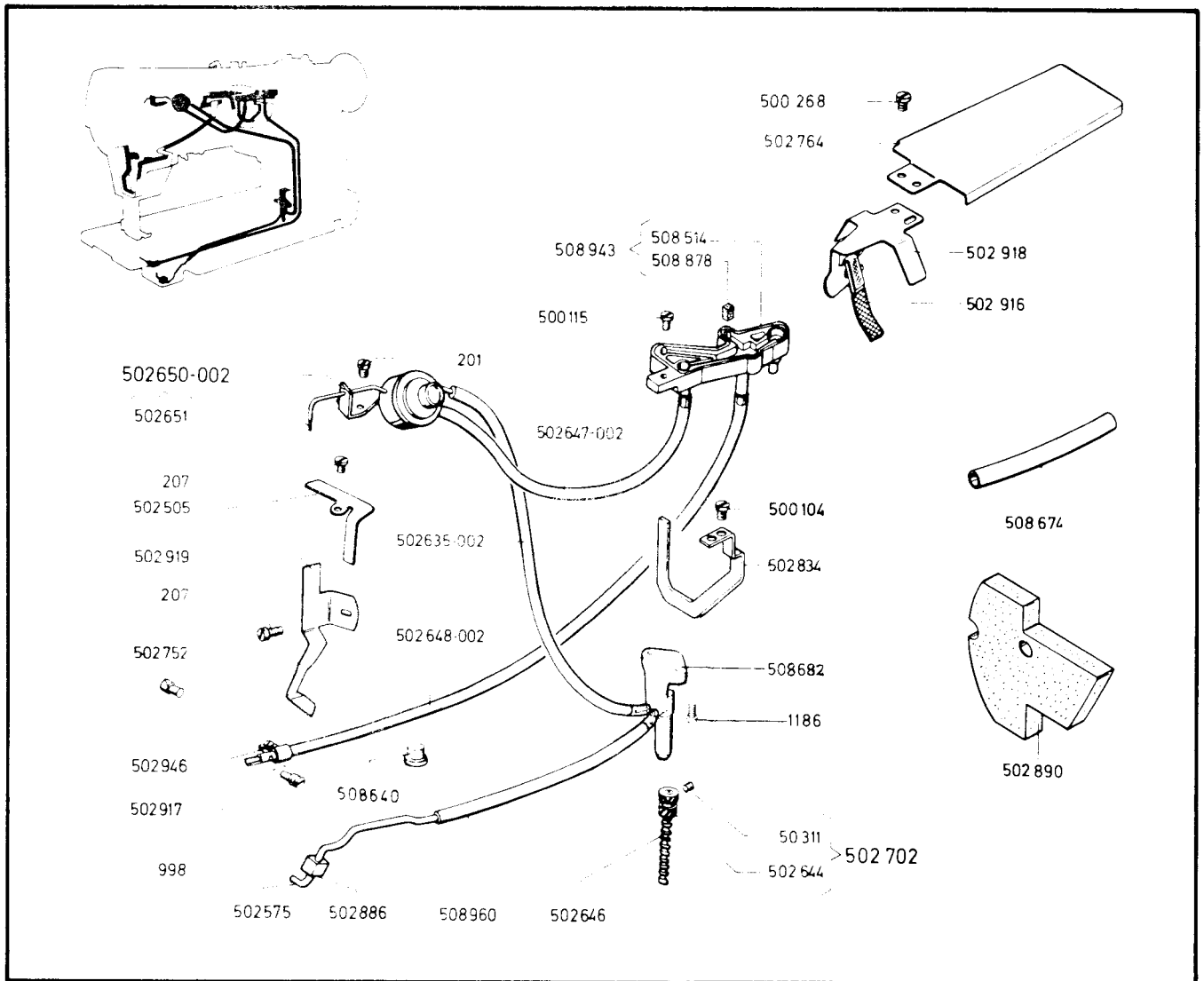
4 57 G 133 -1400 -(0271)

051775-850 ARM OIL SEAL SCREW LOCK NUT (2)
 500196-814 MACHINE GROUNDING WIRE SCREW
 500245-850 BED SHAFT GEAR BOX OVERFLOW AND DRAIN PLUG SCREW
 500250-850 MACHINE LEG SCREW (2)
 500263-850 HOOK SHAFT GEAR BOX COVER SCREW (4)
 500263-850 BED SHAFT GEAR BOX COVER SCREW (6)
 500268-850 ARM COVER (BACK) SCREW (6)
 500296-833 ARM OIL SEAL SCREW (LEFT)
 500299-850 ARM OIL SEAL SCREW (RIGHT)
 500300-830 ARM OIL SEAL SCREW (FRONT)
 502521 BED SHAFT GEAR BOX GASKET
 502543 FEED BAR HINGE PIN OILING FELT CLAMP
 502573 HOOK SHAFT GEAR BOX COVER

502574 HOOK SHAFT GEAR BOX COVER GASKET
 502593 MACHINE LEG (REAR)
 502806 ARM COVER (BACK)
 502824 HOOK DRIVING SHAFT PLUG (FOR UN-USED HOLE)
 502833 ARM COVER (BACK) GASKET
 502881 BED SHAFT GEAR BOX COVER
 502884 BED SPACER (FRONT AND REAR SIDE) (2)
 502885 BED SPACER (REAR) (2)
 502907 ARM COVER (BACK) SCREW GASKET RING (6)
 502986 FEED REGULATING SHAFT PLUG (2)
 512008 MACHINE GROUNDING WIRE WASHER
 603291 MACHINE GROUNDING WIRE SYMBOL

PART NO. DESCRIPTION

PART NO. DESCRIPTION



457 G133-1600-(0271)

000201-850 OIL SIGHT BODY SCREW (2)
 000207-850 ARM HEAD OIL DRAIN WICK CLAMP SCREW (2)
 000998-833 OIL RETURN TUBE SCREW
 001186-850 OIL PUMP MOUNTING SCREW (2)
 050311-833 OIL PUMP GEAR SET SCREW (2)
 500104-850 ARM OIL SHIELD (AERATED PLASTIC) RETAINER SCREW (2)
 500115-850 OIL DISTRIBUTOR PLATE SCREW
 500248-850 OIL GUARD SCREW (2)
 502505 ARM HEAD OIL DRAIN WICK CLAMP (FRONT)
 502575 HOOD SHAFT GEAR BOX OIL PIPE
 502635-002 OIL DELIVERY TUBE
 502644 OIL PUMP GEAR
 502646 OIL PUMP SCREW SHAFT
 502647-002 OIL RETURN TUBE (UPPER) (SHORT)
 502648-002 OIL RETURN TUBE (LOWER) (LONG)
 502650-002 OIL SIGHT BODY WITH 502651
 502651 OIL SIGHT WICK
 502702 OIL PUMP GEAR WITH 502644 AND TWO 50311

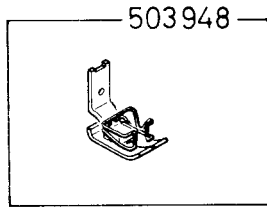
502752 BED SHAFT BUSHING (CENTER) OIL TUBE PLUG
 502764 OIL GUARD
 502834 ARM OIL SHIELD (AERATED PLASTIC) RETAINER
 502885 HOOD SHAFT GEAR BOX OIL PIPE HOLDER
 502890 ARM OIL SHIELD (AERATED PLASTIC)
 502914 ARM HEAD OIL DRAIN WICK
 502917 OIL RETURN TUBE
 502918 ARM HEAD OIL DRAIN WICK CLAMP (UPPER)
 502919 ARM HEAD OIL DRAIN WICK CLAMP (BACK)
 502946 OIL RETURN TUBE (LOWER) (LONG) CLAMP
 508514 OIL DISTRIBUTOR PLATE
 508640 OIL RETURN TUBE PLUG
 508674 ARM HEAD OIL DRAIN WICK GUARD
 508682 OIL PUMP BODY
 508678 FOAM PAD
 508943 OIL DISTRIBUTOR PLATE CPL., NOS. 508514 AND 508878
 508960 HOOD SHAFT GEAR BOX OIL PIPE

PART NO. DESCRIPTION

PART NO. DESCRIPTION

PARTS FOR COUNTRIES
WITH SAFETY
REGULATIONS

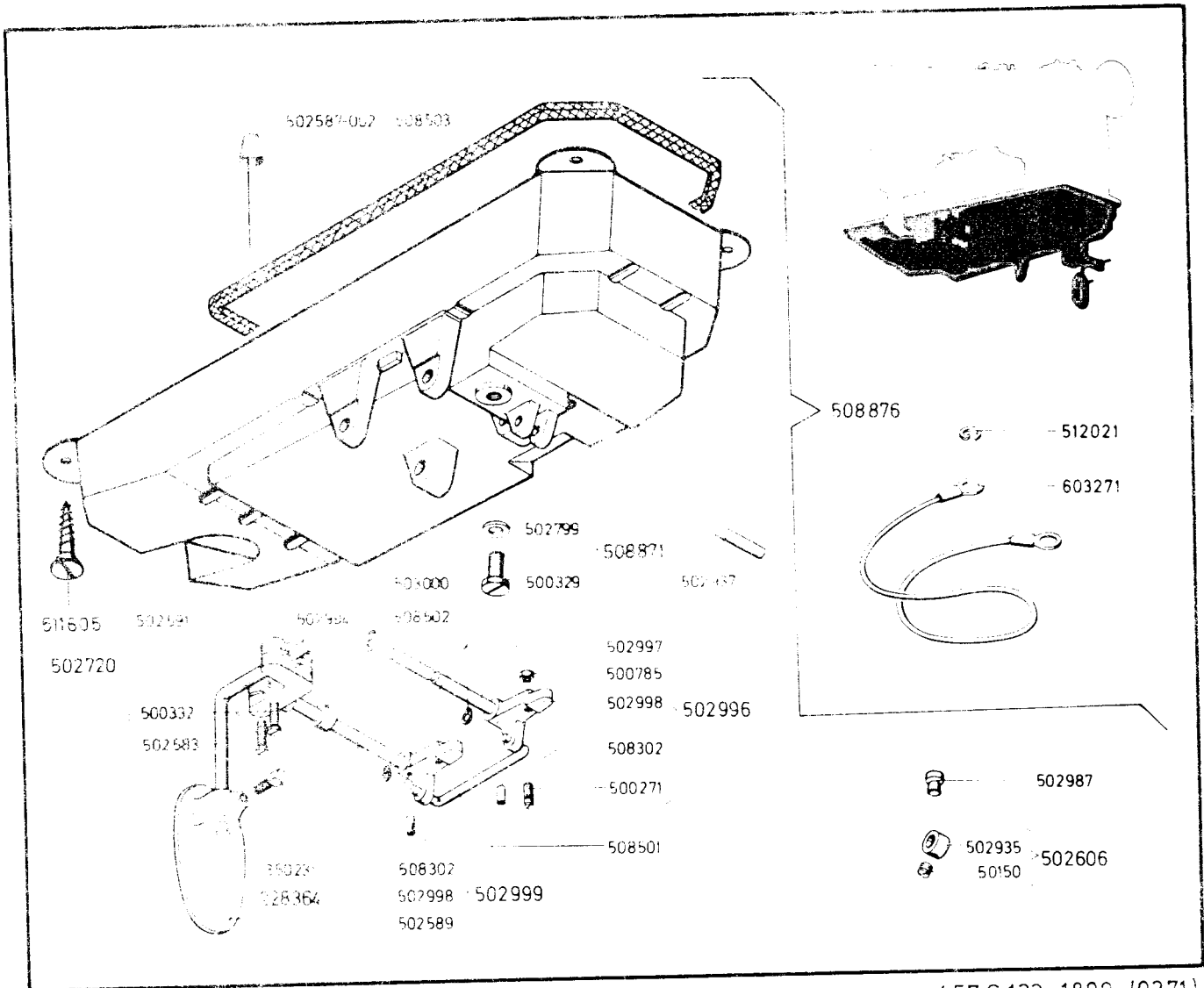
FINGER GUARD 457 G133 ONLY



457 G 133 -1700-(0271)

503948 PRESSER FOOT (HINGED) WITH FINGER GUARD CPL.

PART NO.	DESCRIPTION
----------	-------------



457 G 133-1800-(0271)

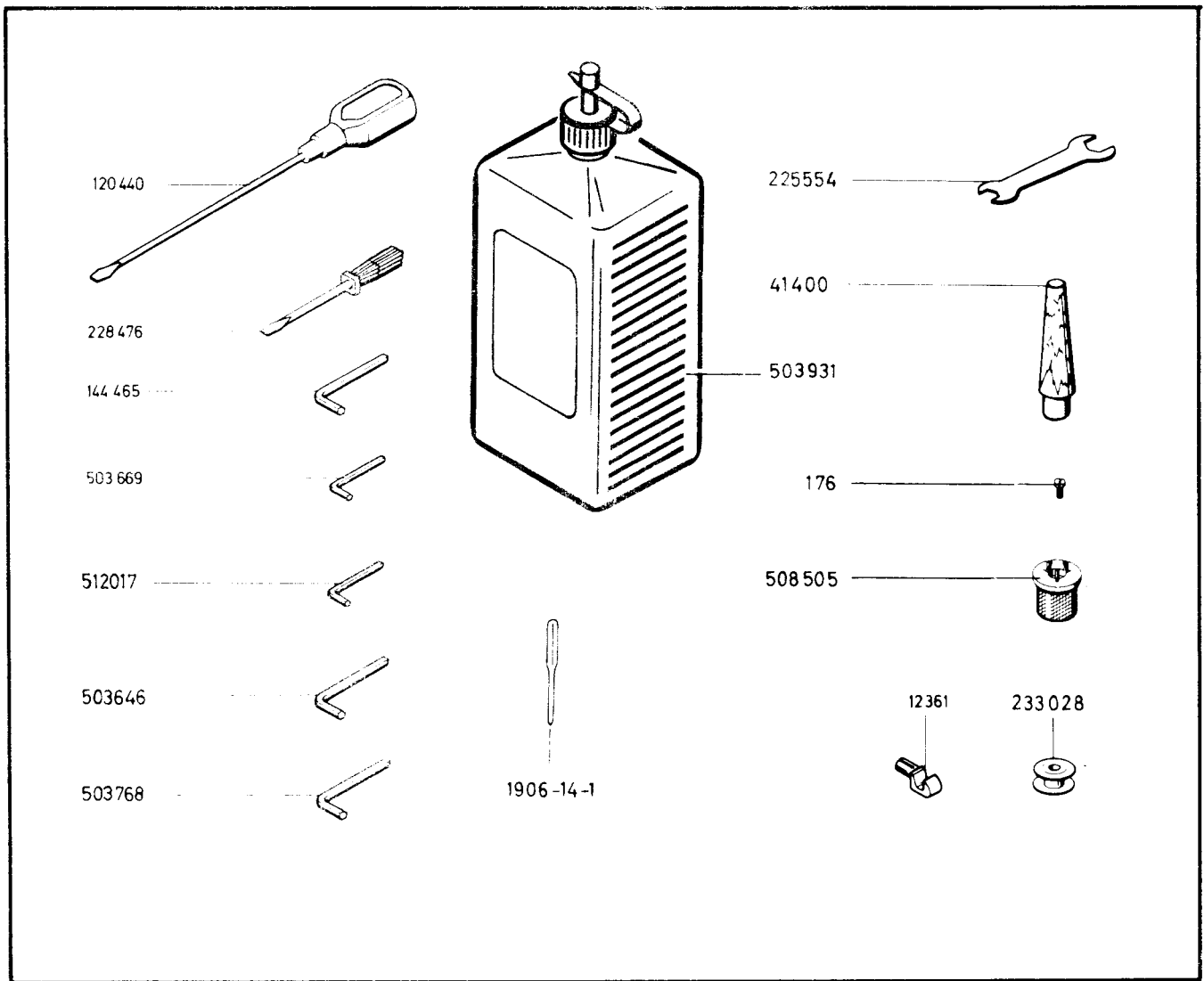
Accessories

511605	FEED REVERSING PLUG WITH LEVER
228364	KNEE LIFTER KNEE PLATE WITH 500231
502720	KNEE LIFTER KNEE PLATE DET. LIFTER
500332	KNEE LIFTER CONTROL SHAFT CRANK STOP SCREW
502583	MACHINE BASE AND OIL RESERVOIR PLUG SCREW
503000	KNEE LIFTER SHAFT CRANK PIN (2)
502996	KNEE LIFTER CONTROL SHAFT CRANK STOP SCREW NUT
508302	KNEE LIFTER KNEE PLATE ARM
508501	KNEE LIFTER RES. WASH.
508502	KNEE LIFTER CONTROL SHAFT
508503	KNEE LIFTER CONTROL SHAFT
508871	MACHINE BASE AND OIL RESERVOIR WITH COLLAR 502935 WITH 50150
508876	MACHINE BASE AND OIL RESERVOIR WITH FWD 500332
511605	MACHINE BASE AND OIL RESERVOIR DRAIN FLUID SCREW
512021	WASHER
603271	FEED REVERSING PLUG WITH LEVER PIN COLLAR
502996	KNEE LIFTER CONTROL SHAFT CRANK STOP SCREW
502997	KNEE LIFTER CONTROL SHAFT CRANK STOP SCREW
502998	KNEE LIFTER CONTROL SHAFT CRANK STOP SCREW
502999	KNEE LIFTER CONTROL SHAFT CRANK STOP SCREW

502996	KNEE LIFTER CONTROL SHAFT CPL. NOS. 500271, 500785, 502997, 502998, AND 508302
502997	KNEE LIFTER CONTROL SHAFT
502998	KNEE LIFTER ROCK SHAFT CRANK
502999	KNEE LIFTER CONTROL SHAFT CRANK
502999	KNEE LIFTER ROCK SHAFT CPL. NOS. 502589, 502998, AND 508302
503000	KNEE LIFTER CONTROL SHAFT GRIP RING
508302	KNEE LIFTER CONTROL SHAFT CRANK PIN (2)
508501	KNEE LIFTER ROCK SHAFT CONNECTION
508502	KNEE LIFTER ROCK SHAFT CONNECTION GRIP RING (2)
508503	MACHINE BASE AND OIL RESERVOIR GASKET
508871	MACHINE BASE AND OIL RESERVOIR WITH 500329 AND 502799
508876	MACHINE BASE OIL RESERVOIR WITH KNEE LIFTER CPL. NOS. 228364, 502587-302, 502583, 502606, 502720, 508871, 502937, 502994, 502996, 508501, 508503, 502999, 503000, 502987 TWO 508502 AND FOUR 511605
511605	MACHINE BASE OIL RESERVOIR MOUNTING SCREW (WOOD) (4)
512021	MACHINE GROUNDING WIRE LOCK WASHER
603271	MACHINE GROUNDING WIRE SYMBOL

PART NO. DESCRIPTION

PART NO. DESCRIPTION



457 G133-1900-(0271)

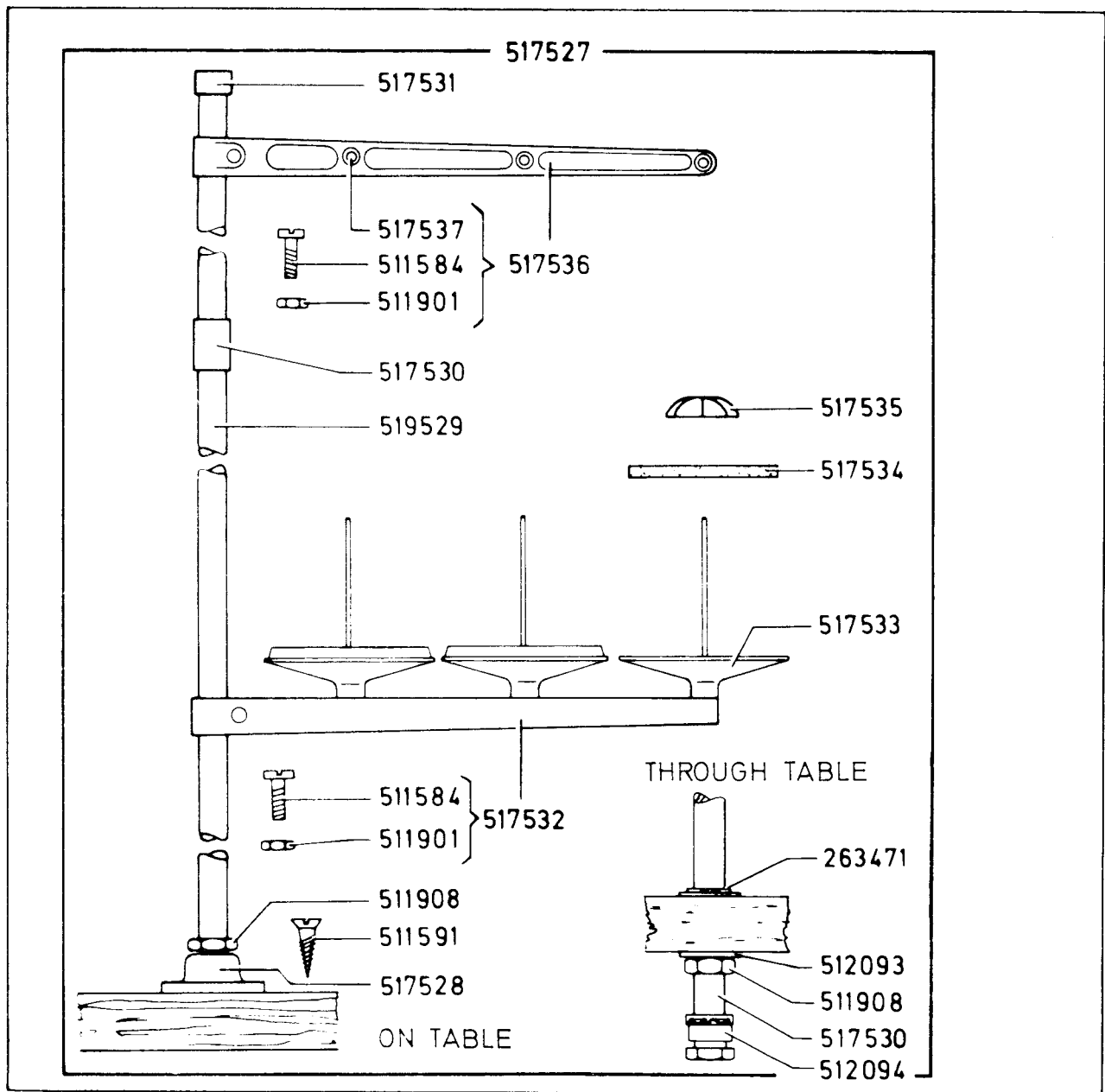
Accessories

CAT. 1906-14-1 NEEDLE
 000175-850 ROTARY TAKE-UP GUARD COVER WINDOW SCREW
 000176-850 ATTACHMENT SCREW
 012351 MACHINE HINGE SPRINGER PIN #2
 041400 MACHINE REST PIN W/200R
 120440 SCREW DRIVER
 144465 WRENCH 1/8 INCH HEXAGON
 225554 WRENCH

228476 SCREW DRIVER BOBBIN CASE
 233028 BOBBIN (2)
 503646 WRENCH 2mm HEXAGON
 503669 WRENCH 5/64 INCH HEXAGON
 503768 WRENCH 3mm HEXAGON
 503931 OILER CUP WITH SPOUT AND OIL FILTER
 508505 OIL FILTER WITH OIL FILTER MOUNTING SUPPORT
 512017 WRENCH 4mm HEXAGON

PART NO. DESCRIPTION

PART NO. DESCRIPTION



457 G 133 - 2000-(0271)

Accessories

263471	THREAD UNWINDER ROD RETAINING RING
511584-850	THREAD UNWINDER SPOOL CARRIER ARM SCREW
511584-850	THREAD UNWINDER THREAD GUIDE SCREW
511591-819	THREAD UNWINDER WOOD SCREW (3)
511901-830	THREAD UNWINDER SPOOL CARRIER ARM NUT
511901-830	THREAD UNWINDER THREAD GUIDE NUT
511906-850	THREAD UNWINDER ROD NUT (2)
512093	THREAD UNWINDER ROD WASHER (2)
512094	THREAD UNWINDER ROD SOCKET
517527	THREAD UNWINDER CPL., NOS. 263471, 511908, 512094, 517528, 517530, 517531, 517532, 517536, T.O. EACH 512093, 517529 AND EACH 511591, 517533, 517534 AND 517535

517528	THREAD UNWINDER FOOT
517529	THREAD UNWINDER ROD (2)
517530	THREAD UNWINDER ROD CONNECTION
517530	THREAD UNWINDER PLAIN COUPLER
517531	THREAD UNWINDER ROD CAP
517532	THREAD UNWINDER SPOOL CARRIER ARM WITH 511584 AND 511901
517533	THREAD UNWINDER SPOOL CARRIER PLATE (3)
517534	THREAD UNWINDER SPOOL CUSHION (3)
517535	THREAD UNWINDER SPOOL HOLDER (3)
517536	THREAD UNWINDER THREAD GUIDE WITH 511584, 511901 AND THREE 517537
517537	THREAD UNWINDER THREAD GUIDE BUSHING (3)

PART NO. DESCRIPTION

PART NO. DESCRIPTION