

SINGER

45K1, 5,11

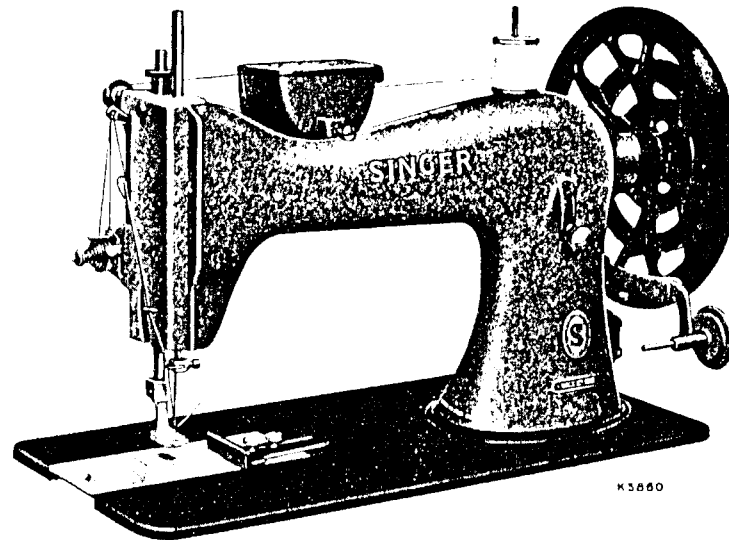
Form K6263
Supersedes K5780

ILLUSTRATED
LIST OF PARTS

FOR

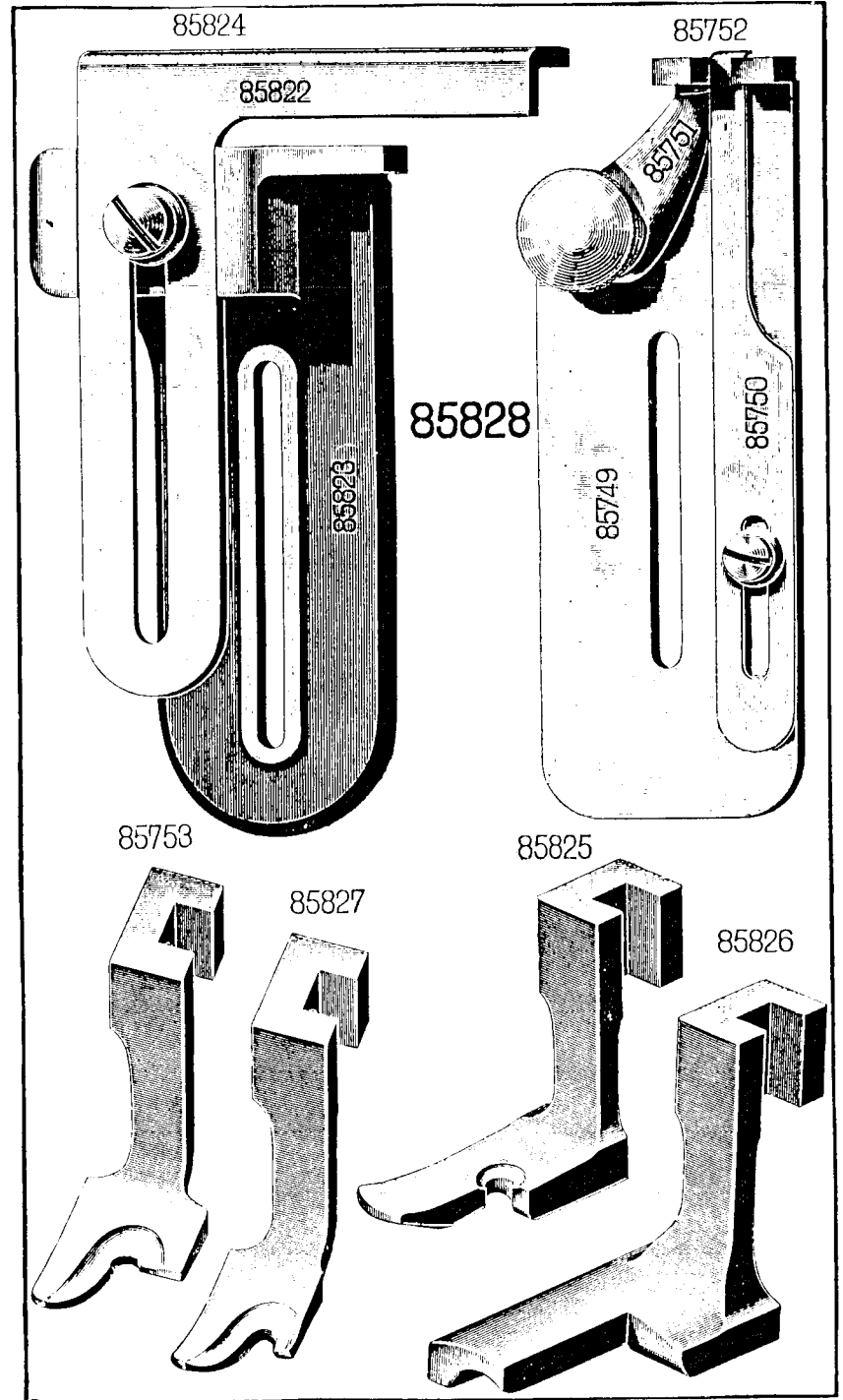
SINGER**

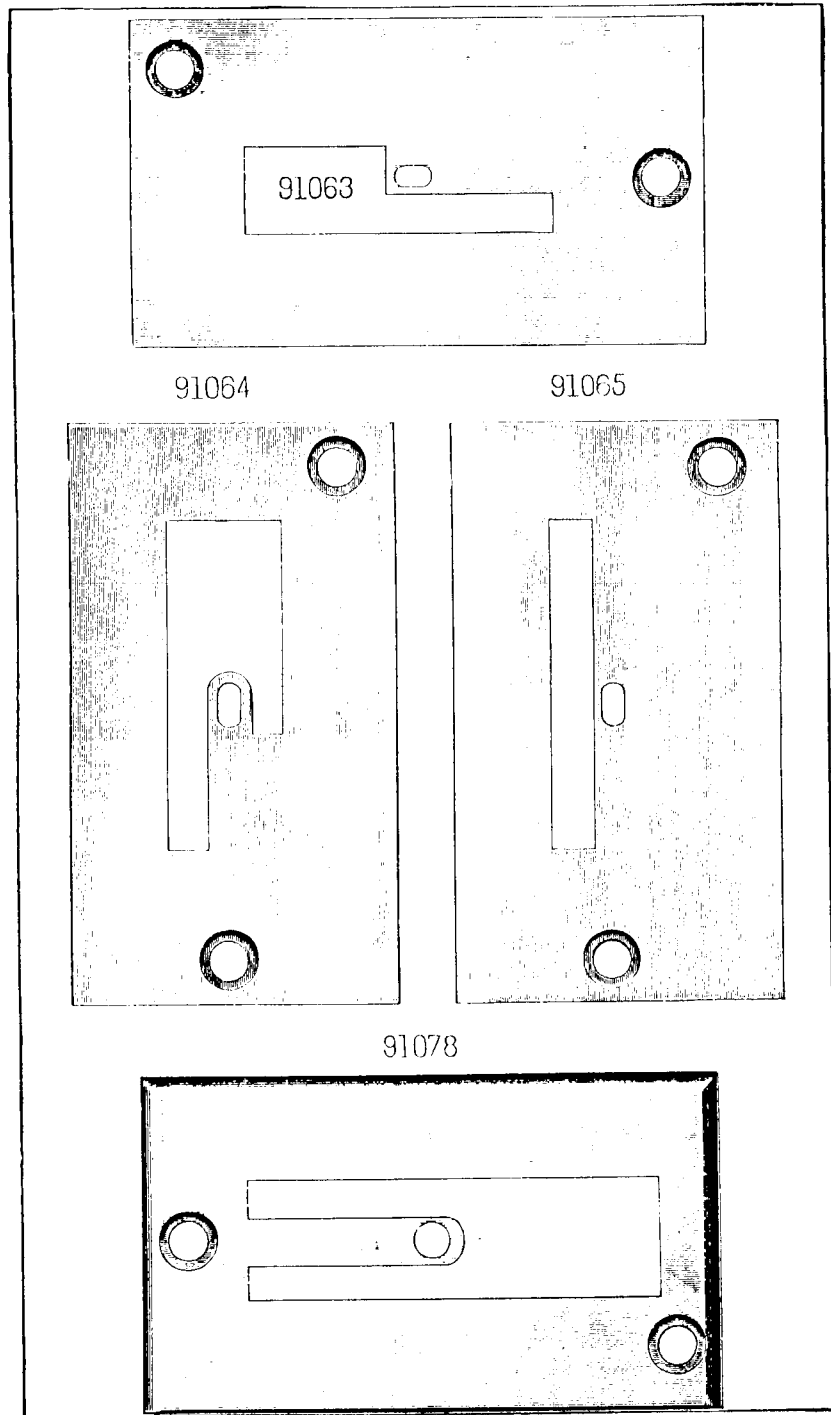
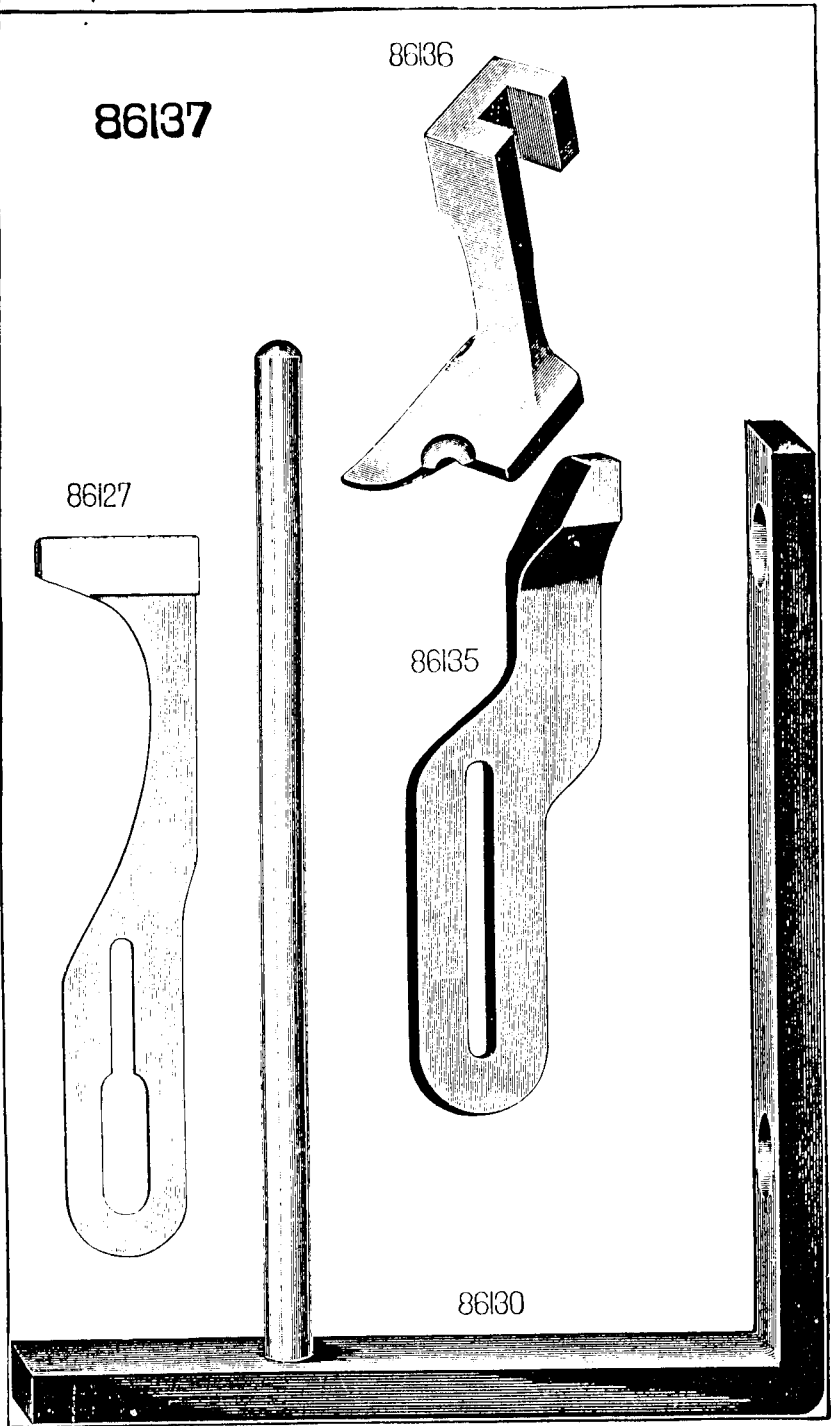
Machines Nos. 45K1, 45K5 and
45K11

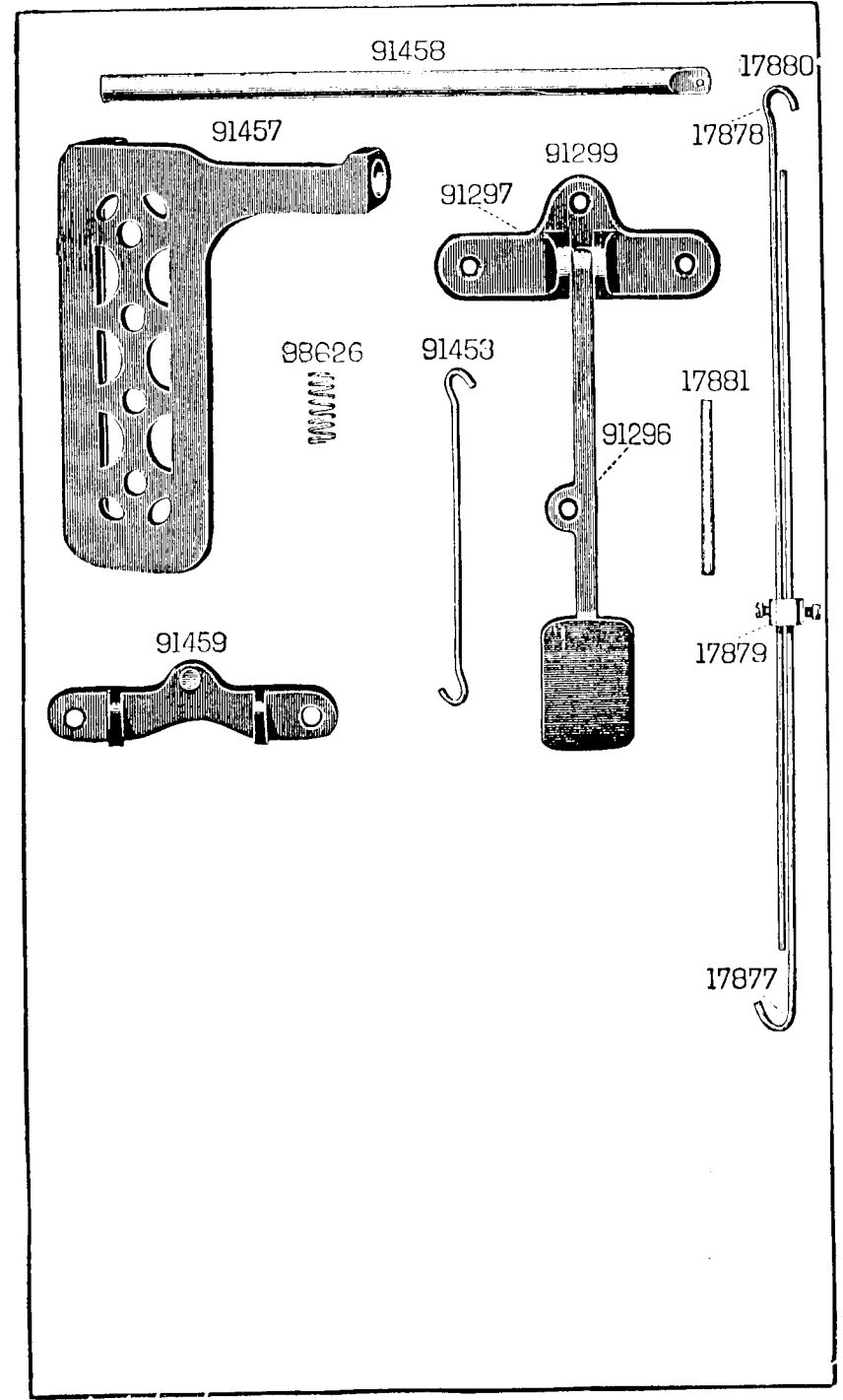
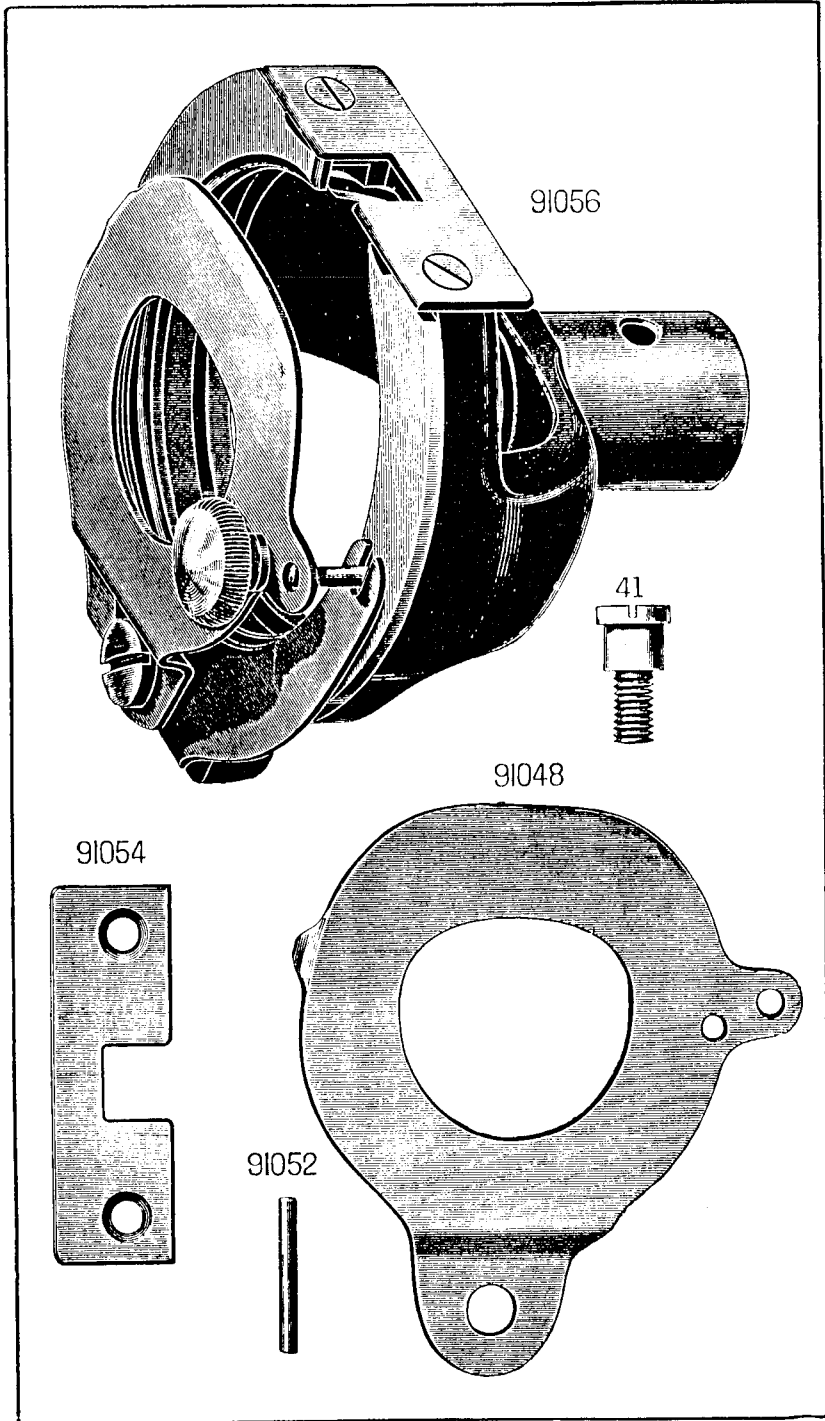


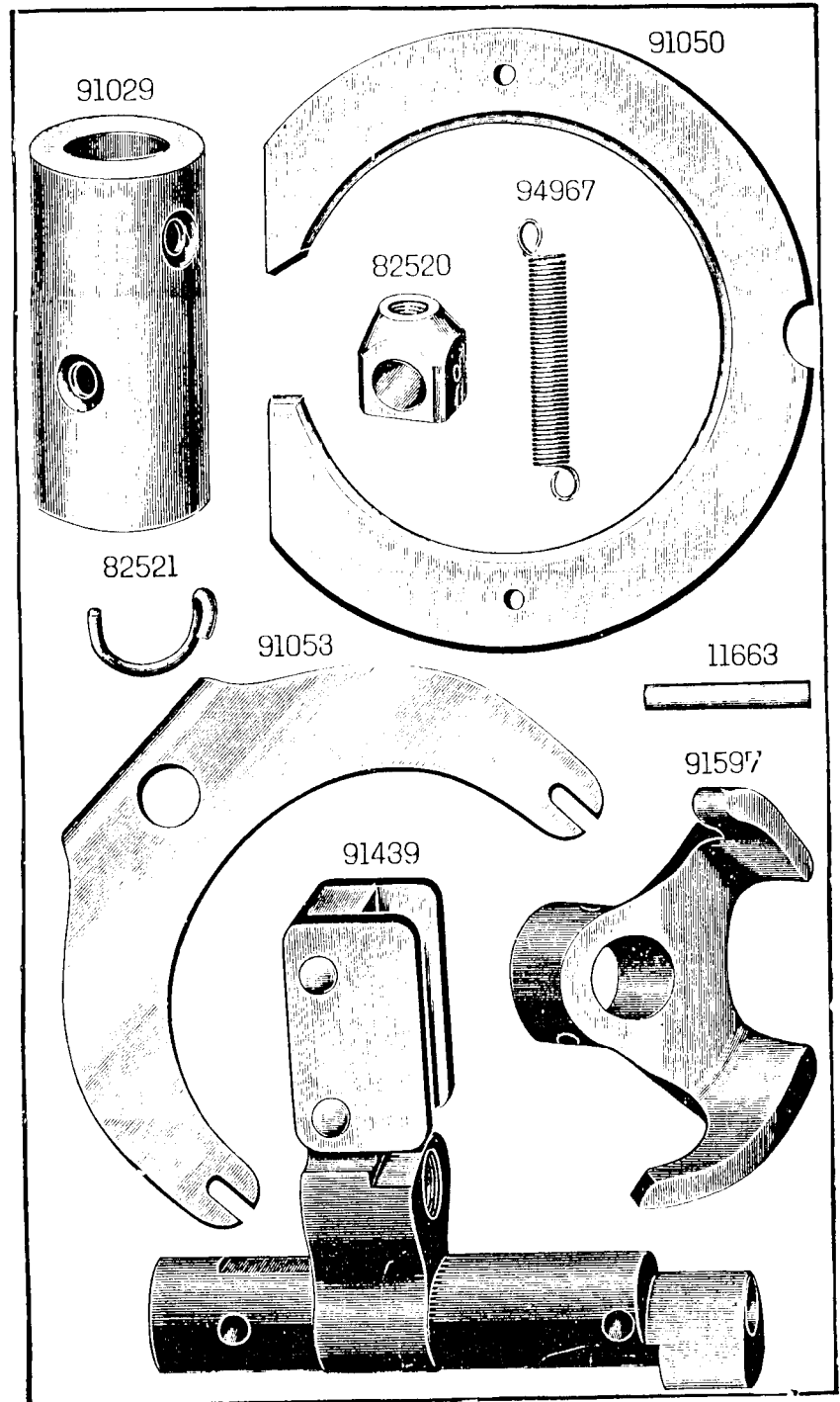
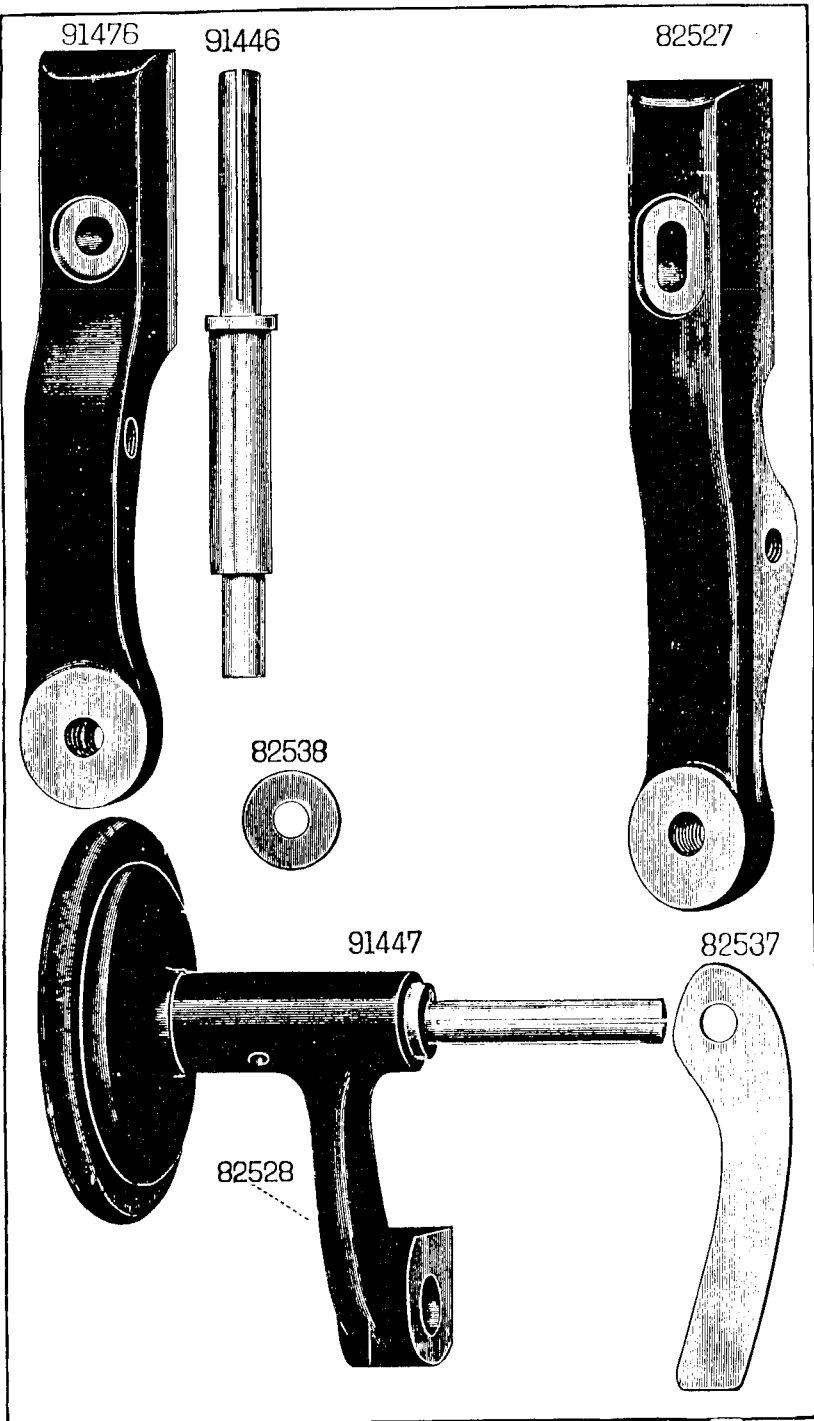
No. 45K1 Machine

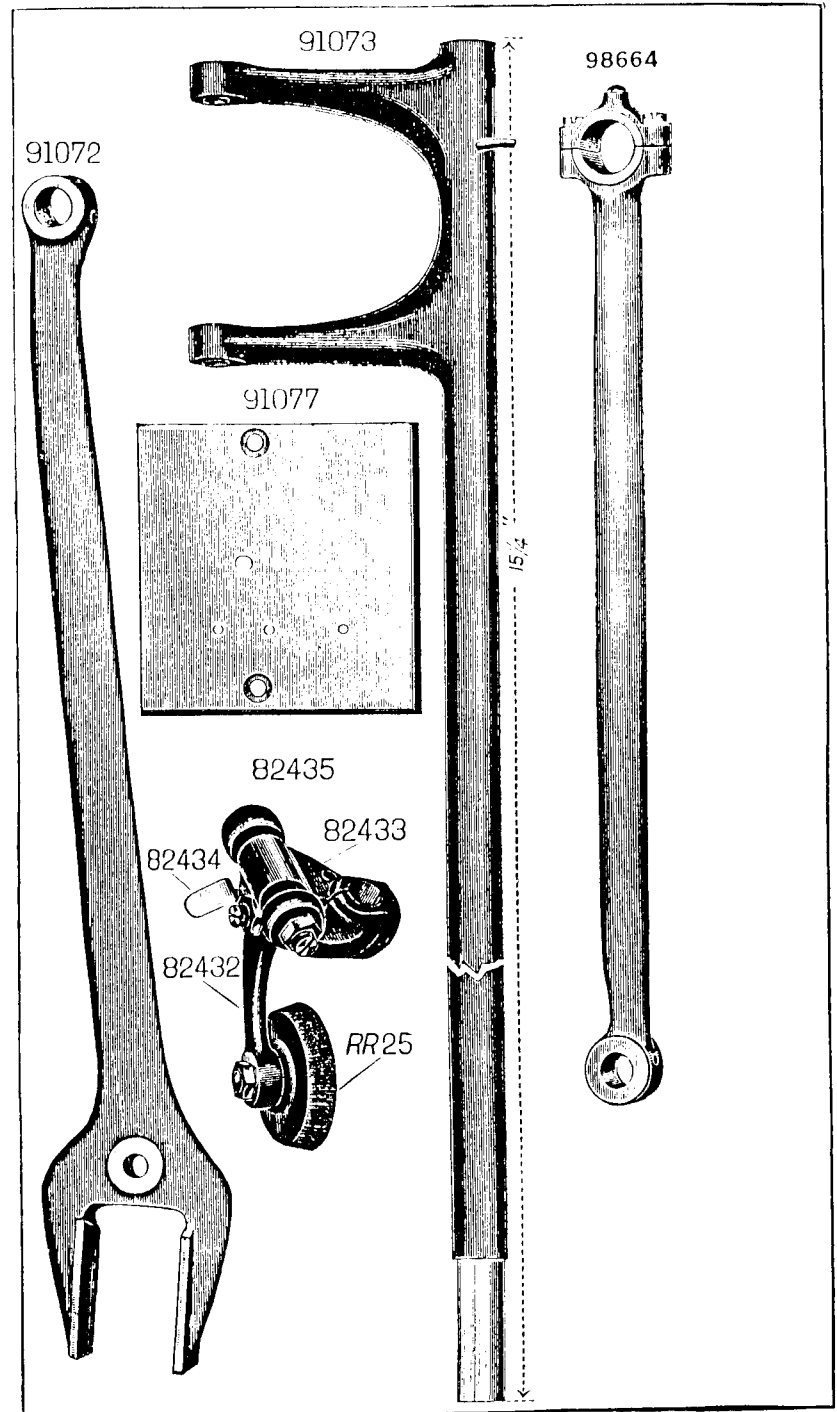
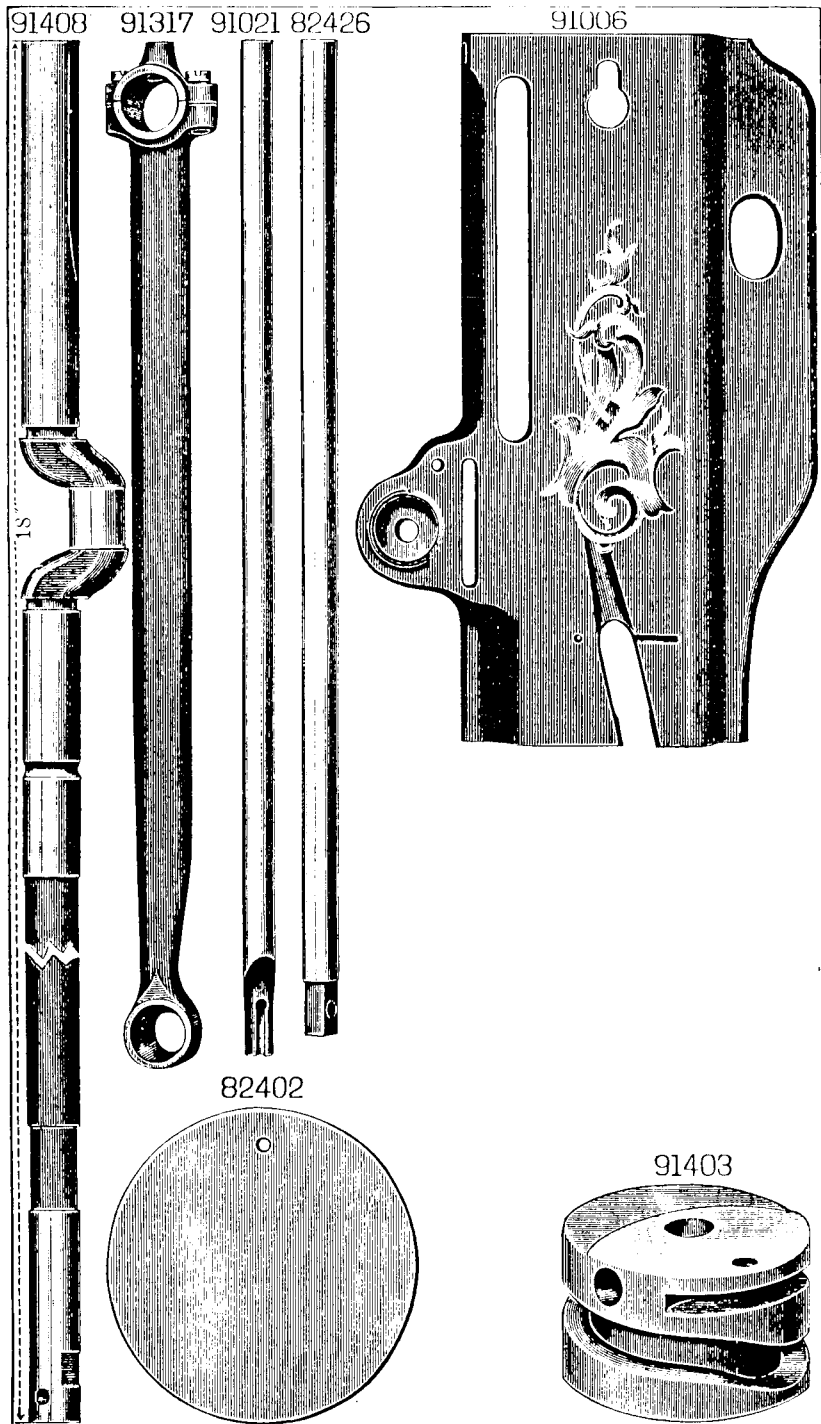
**A Trademark of THE SINGER COMPANY

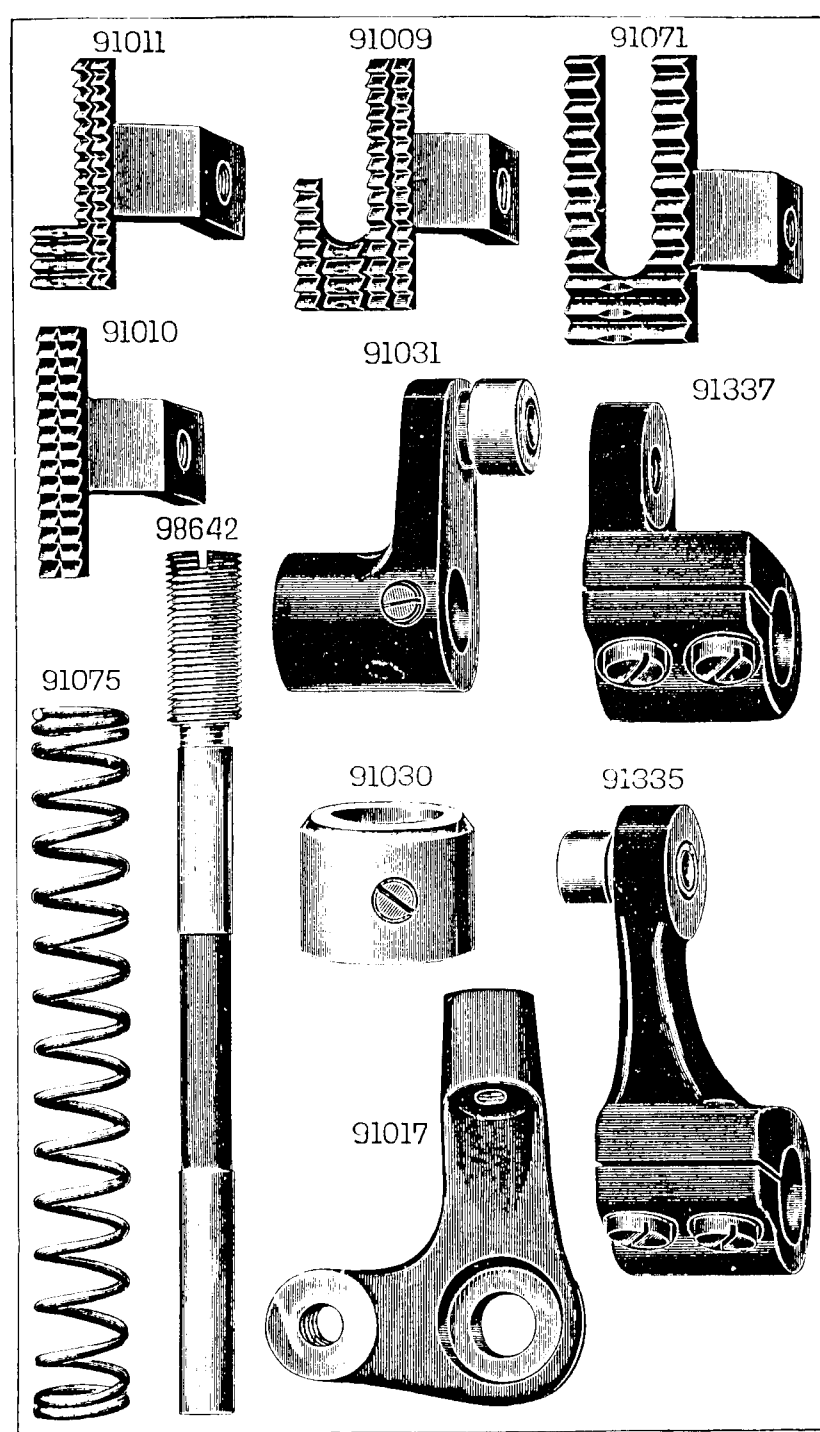
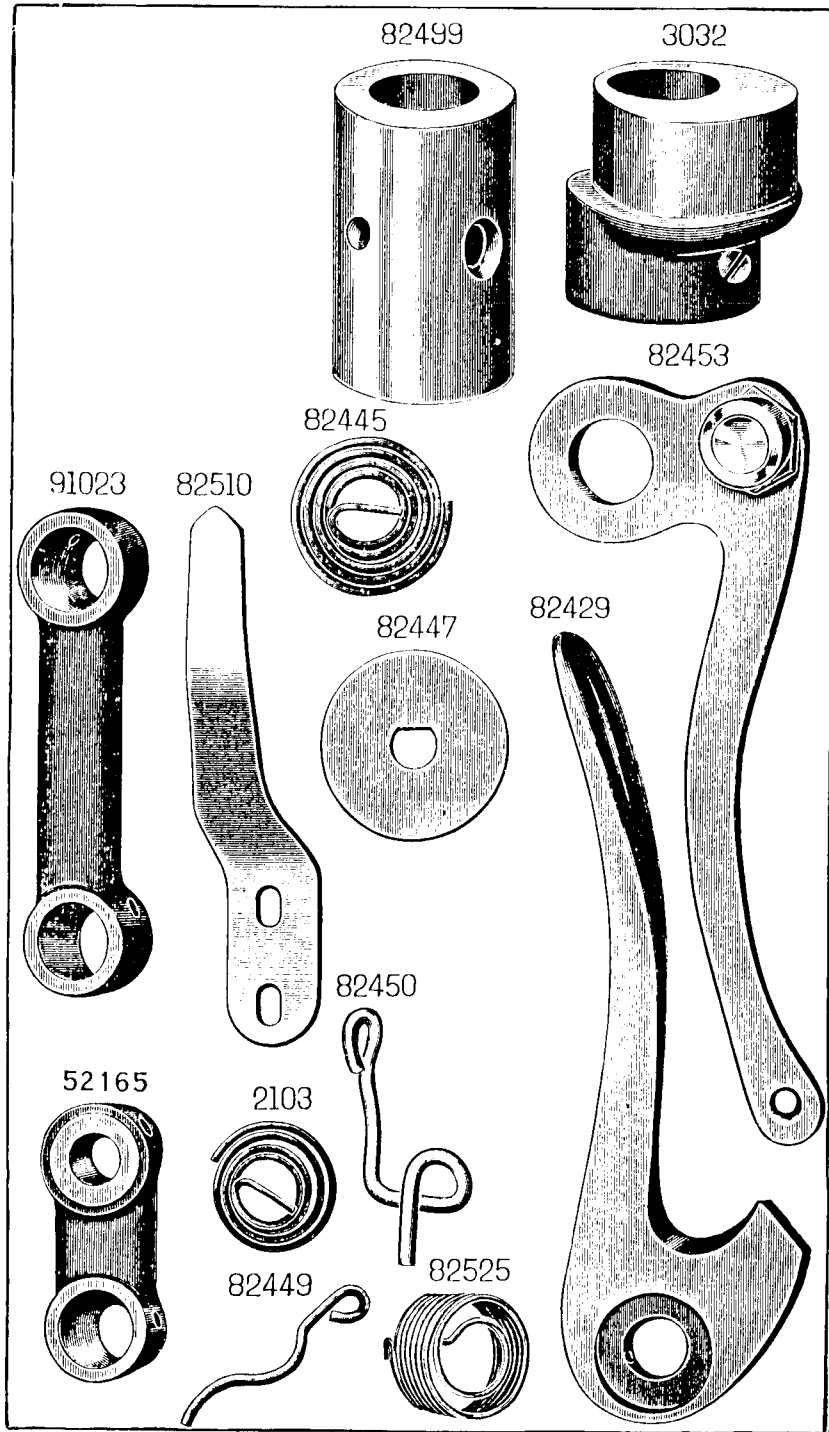


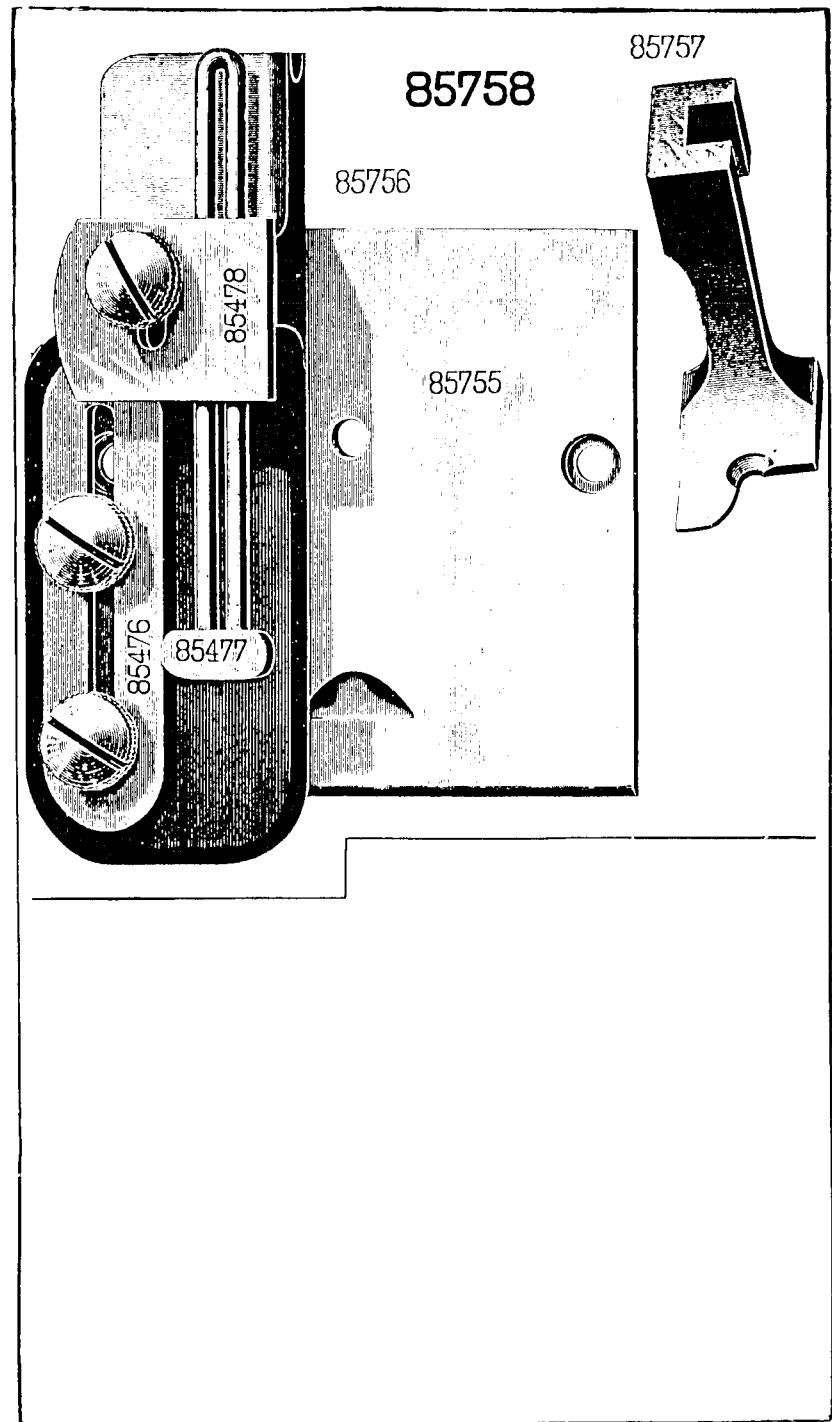
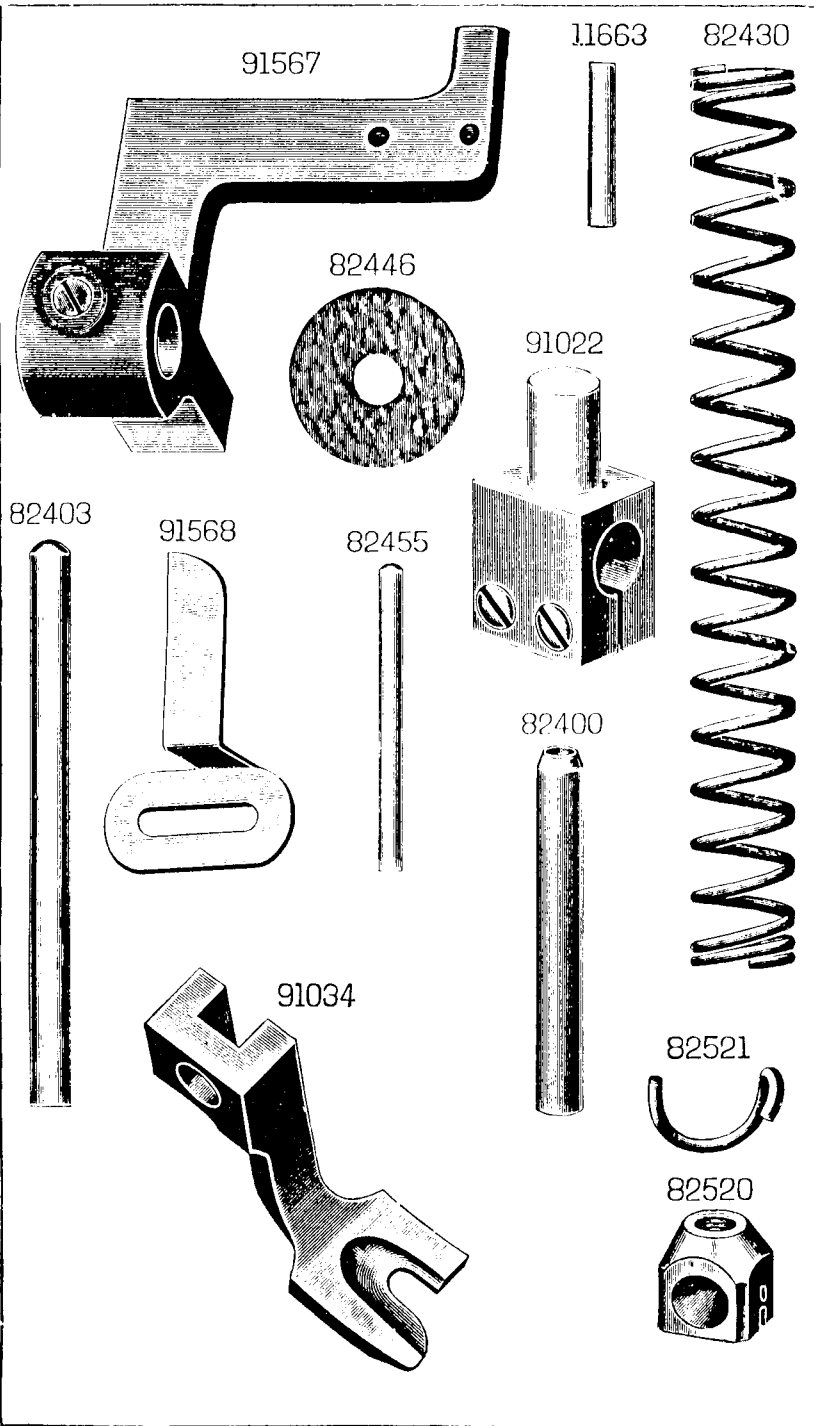


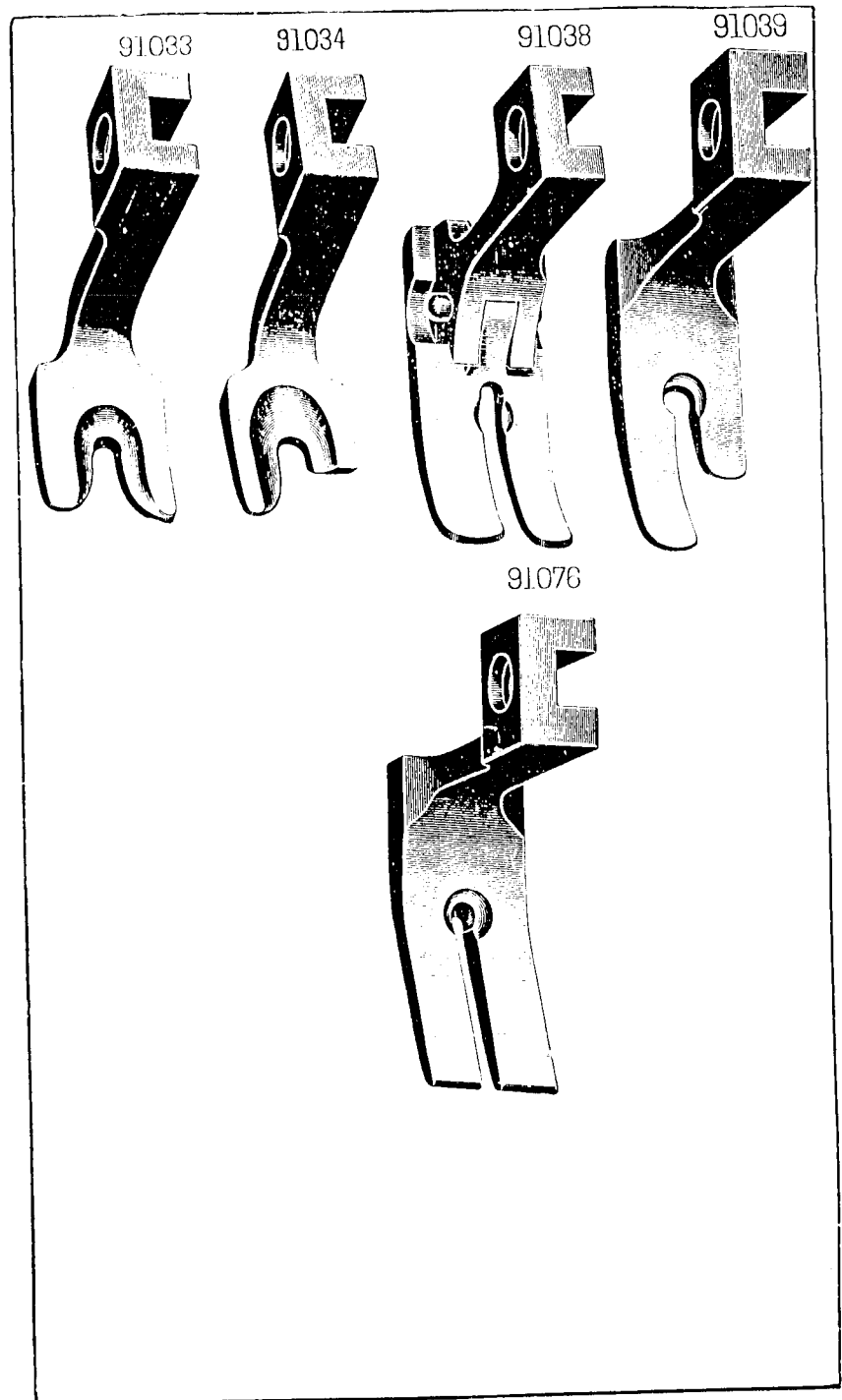
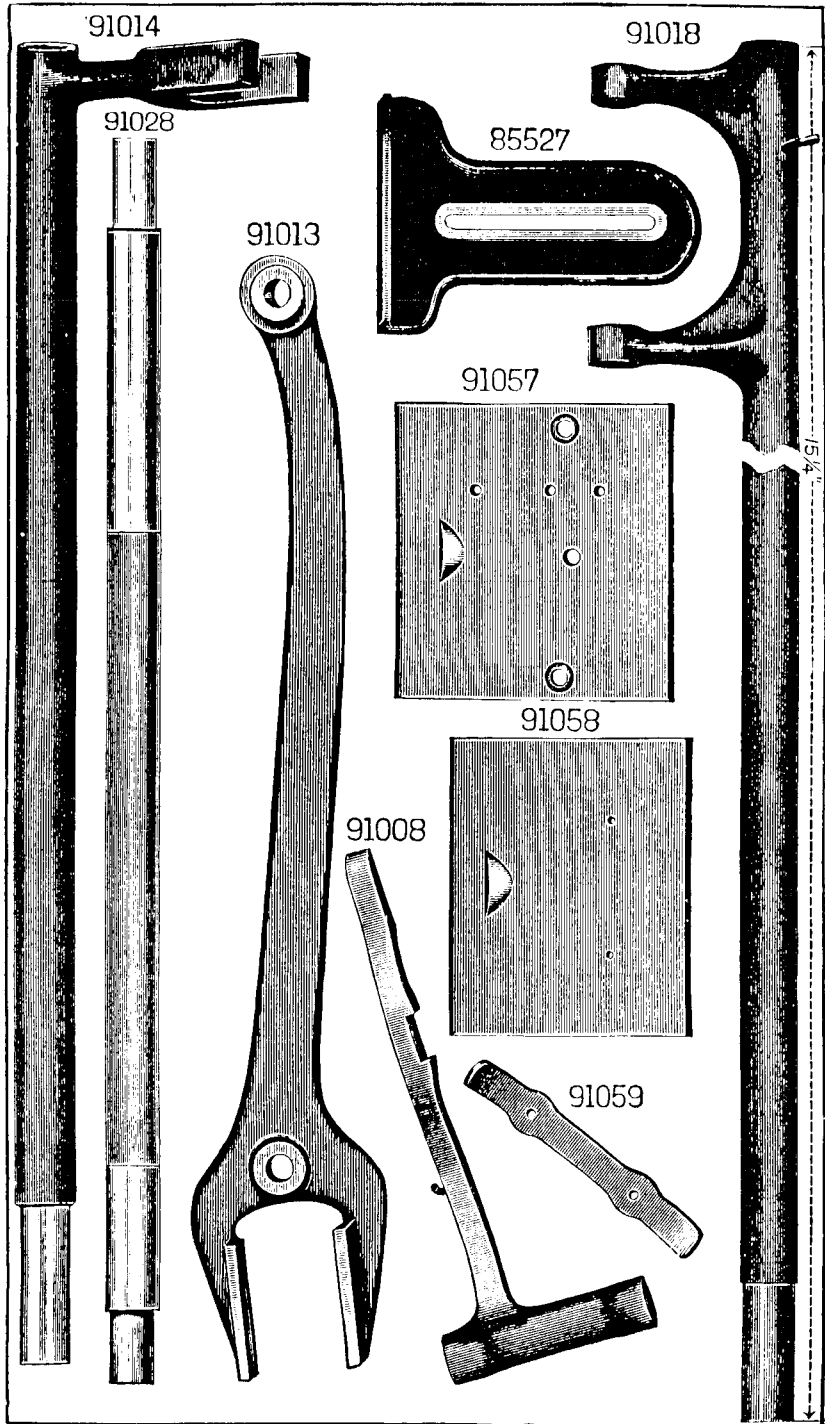


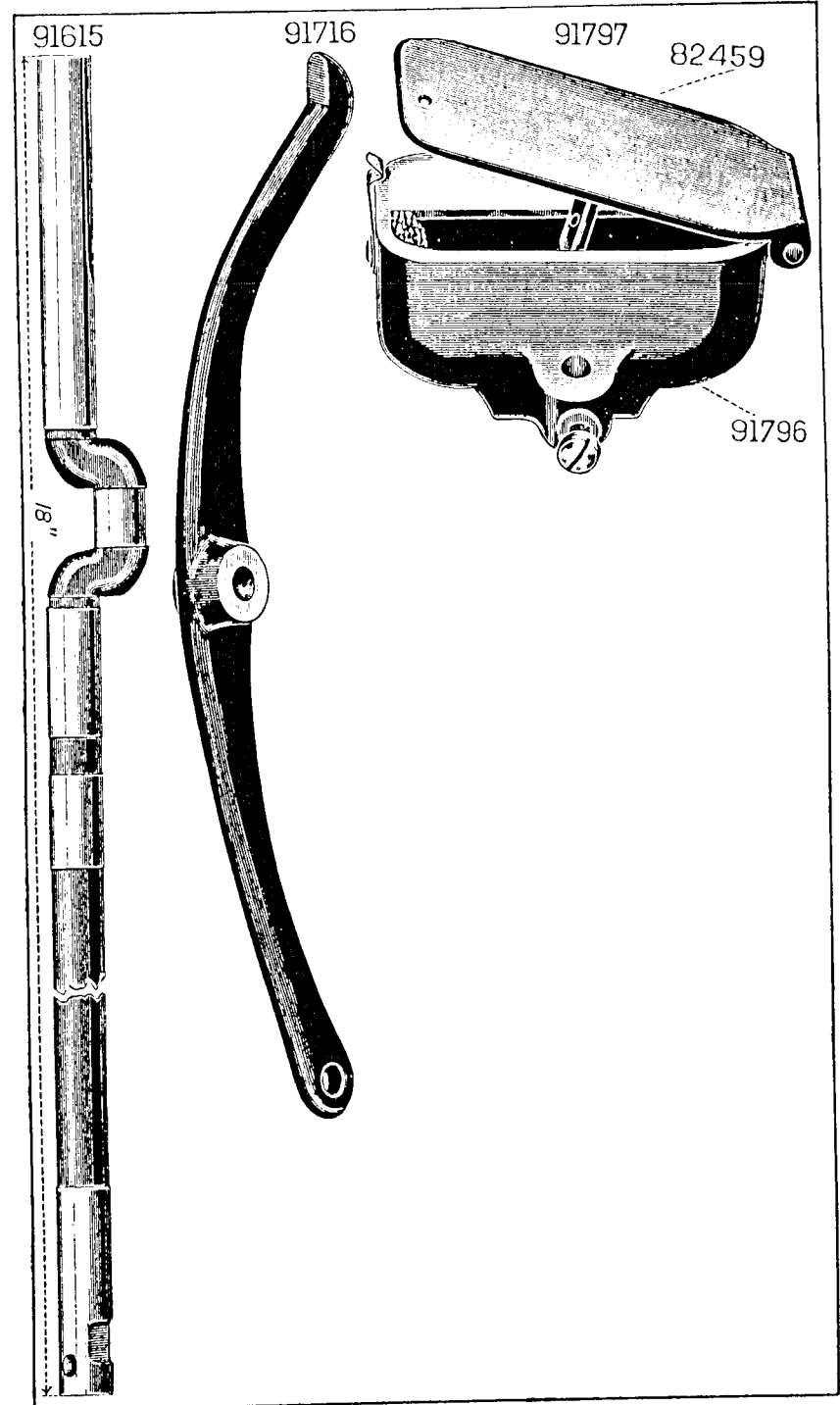
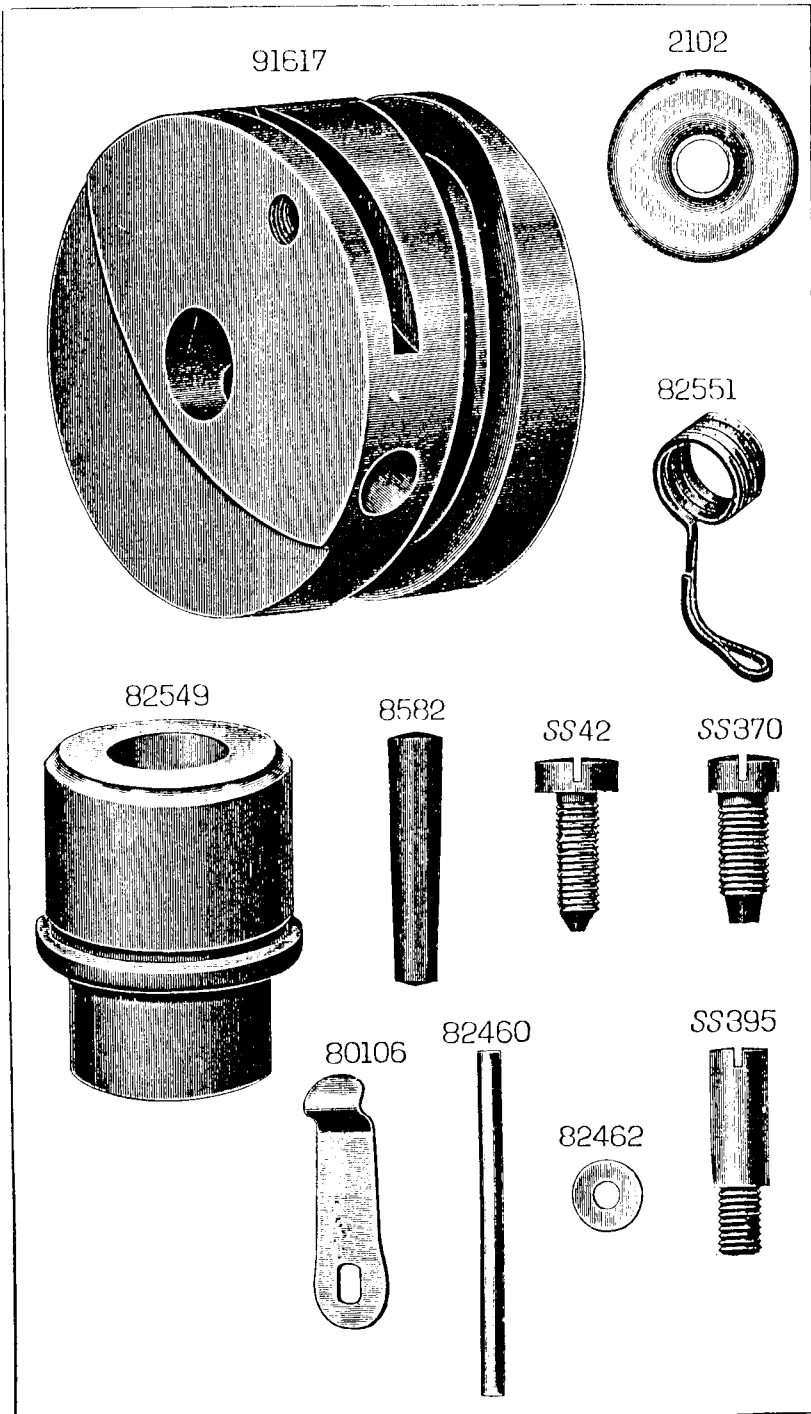




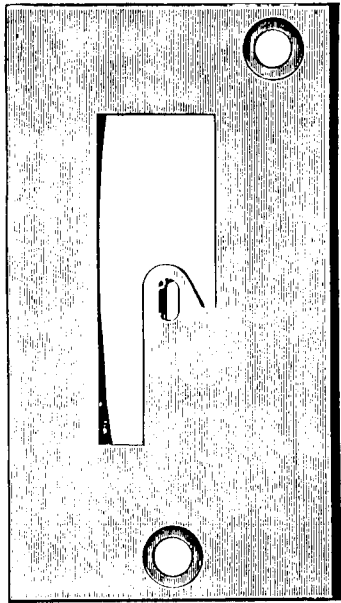




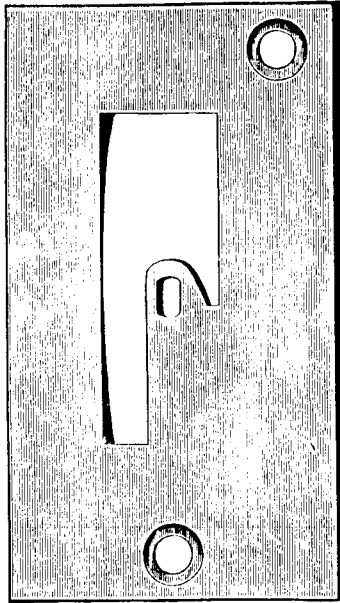




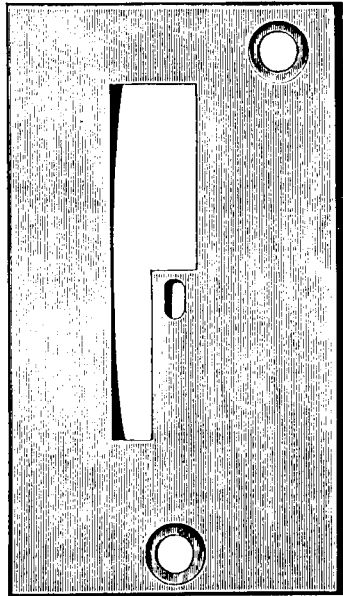
91609



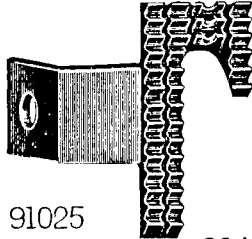
91610



91079



91607



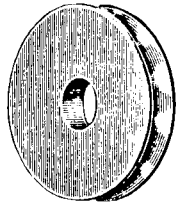
91026



91025



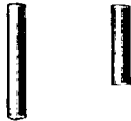
82448



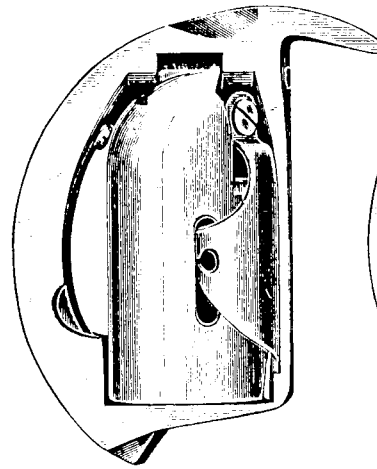
91169 80036



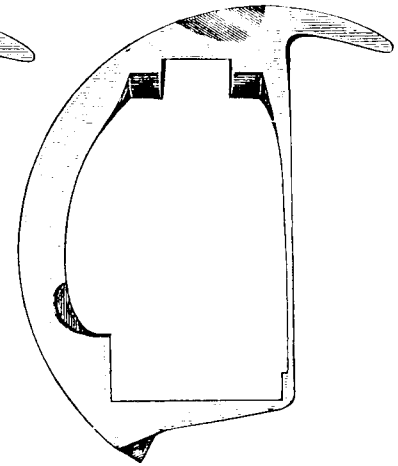
91051 91055



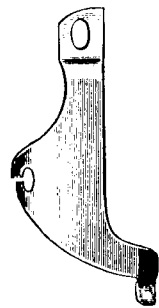
95084



95082



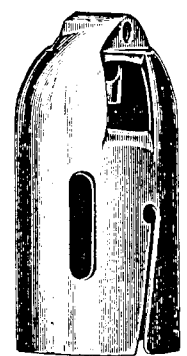
95083



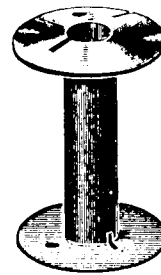
95081



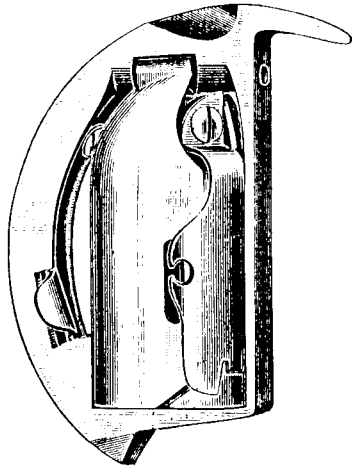
95080



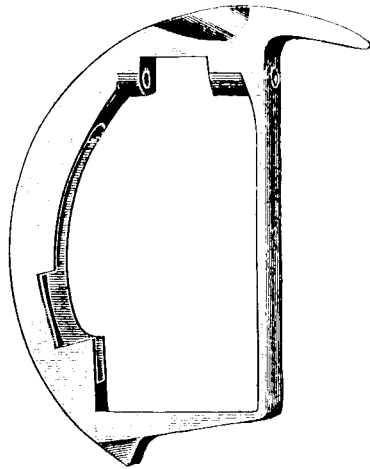
95093



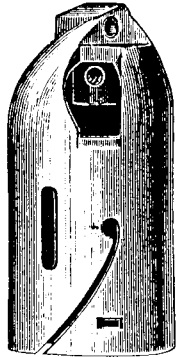
95096



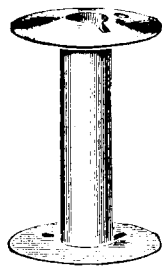
95186



95094



95093



95095



91042



91043



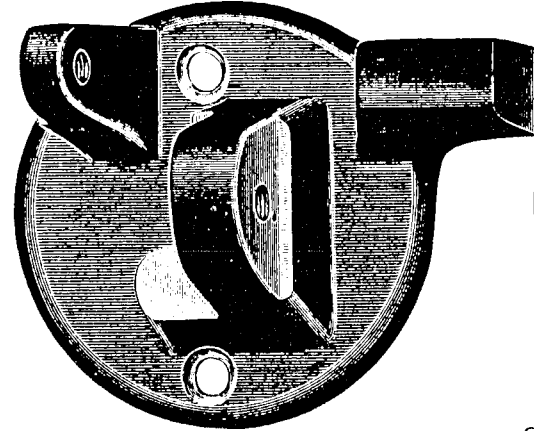
SS377



233



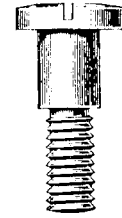
27540



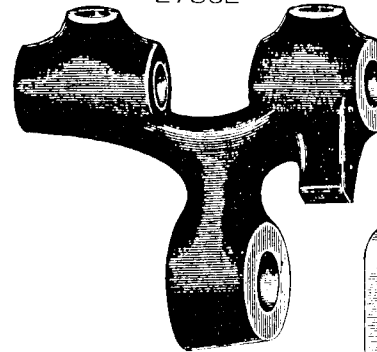
98673



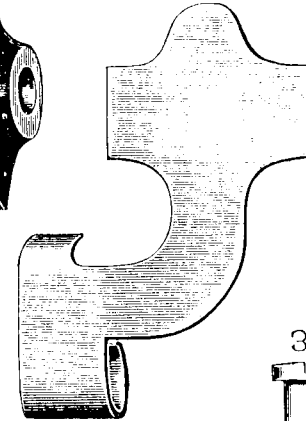
50356



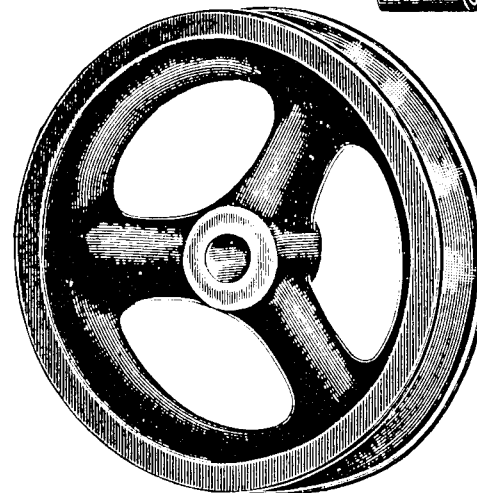
27302



95197



27541



35

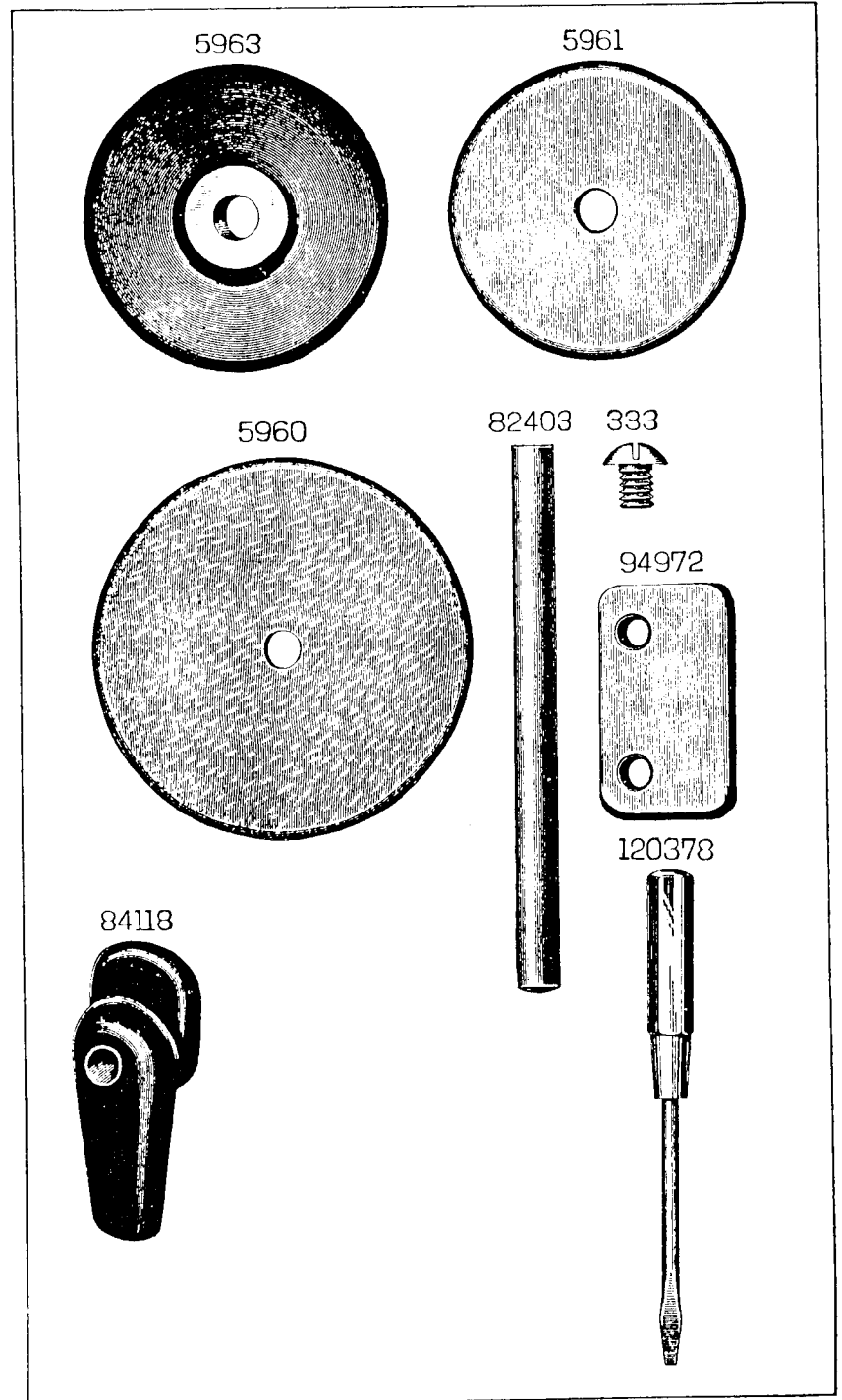
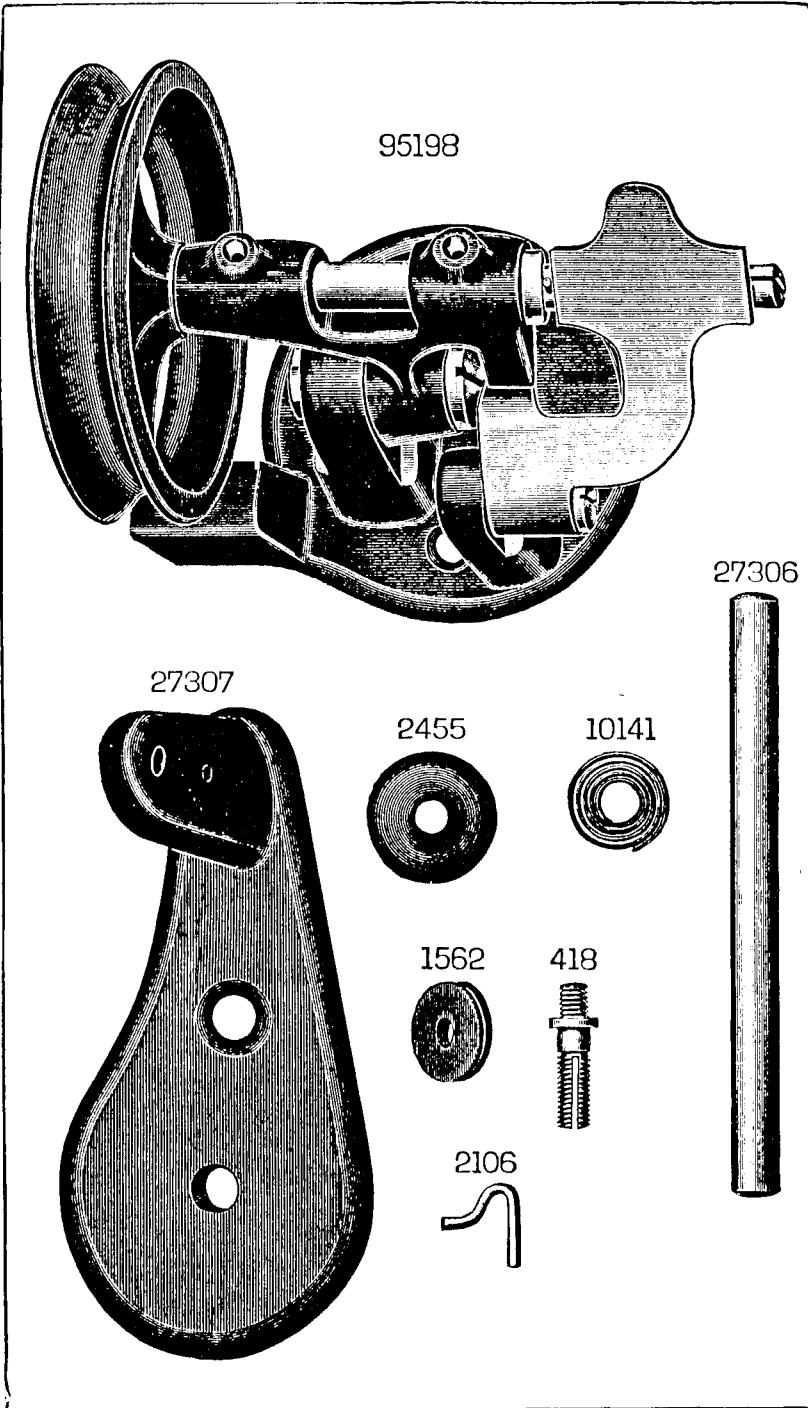


1620

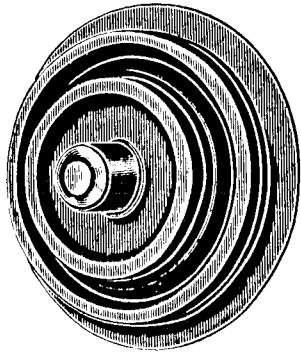


27303

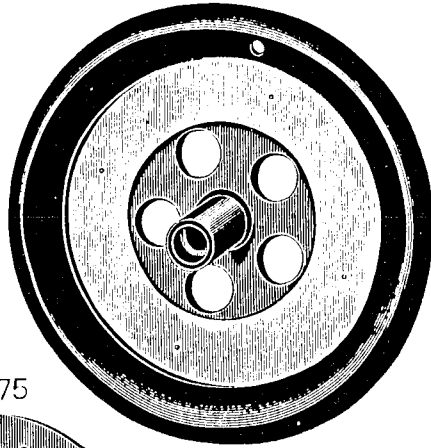




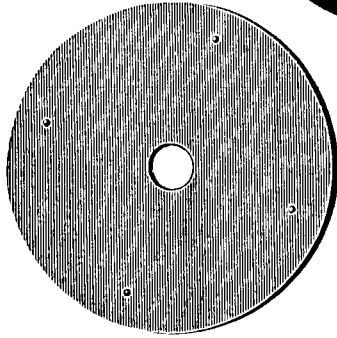
91474



91473



91475



91294



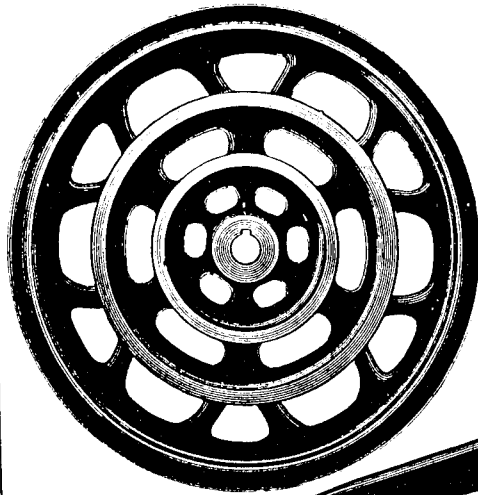
91302



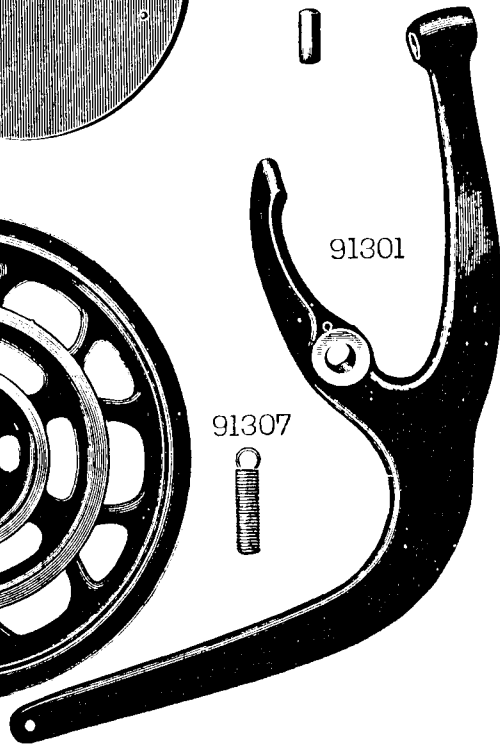
91303



82404



91301



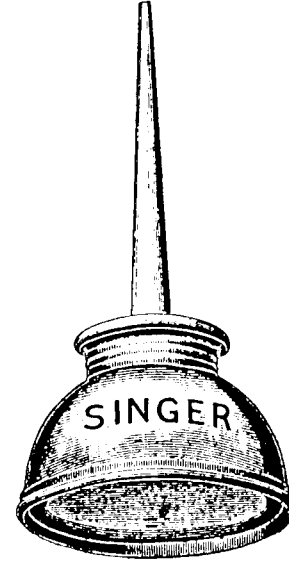
91307

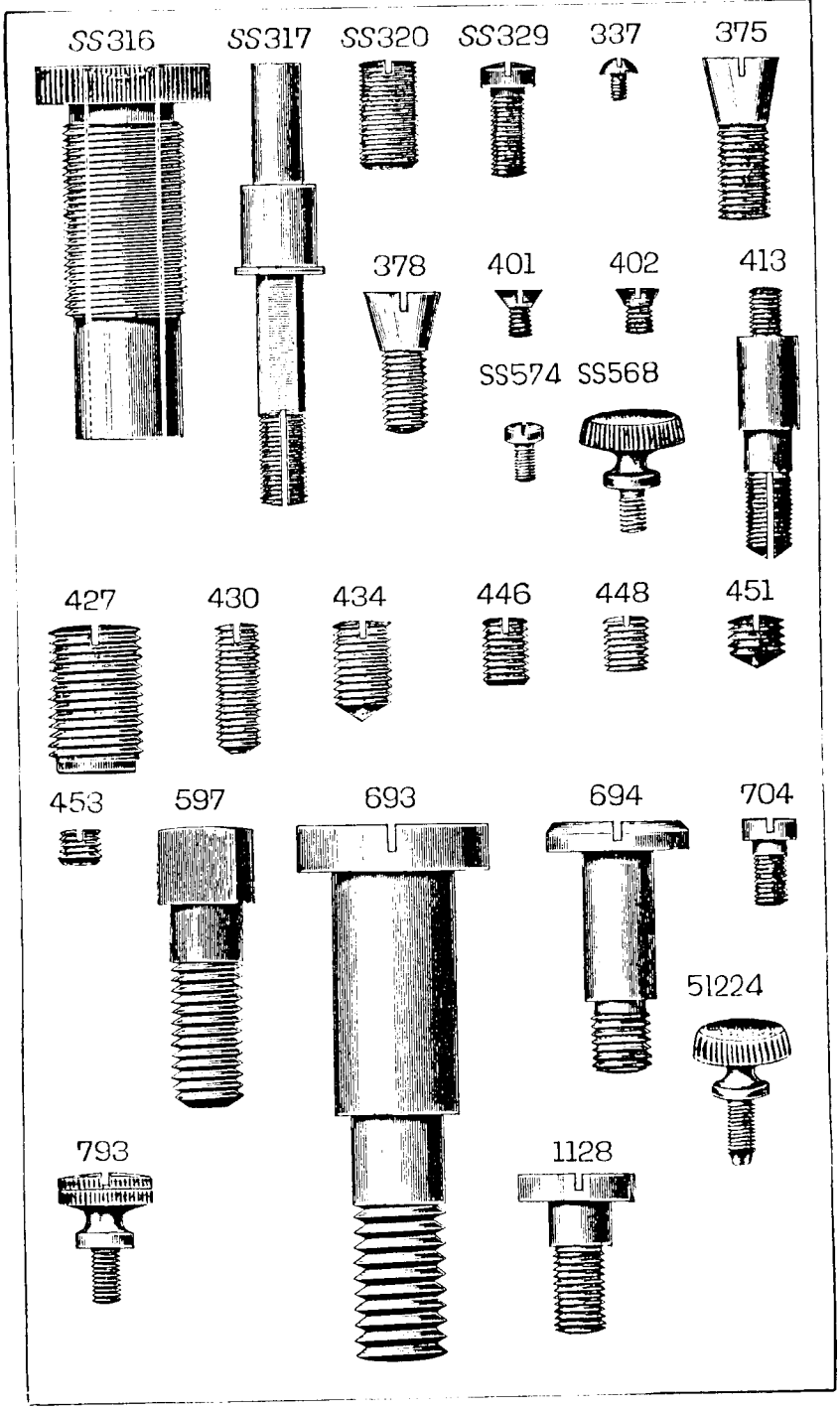
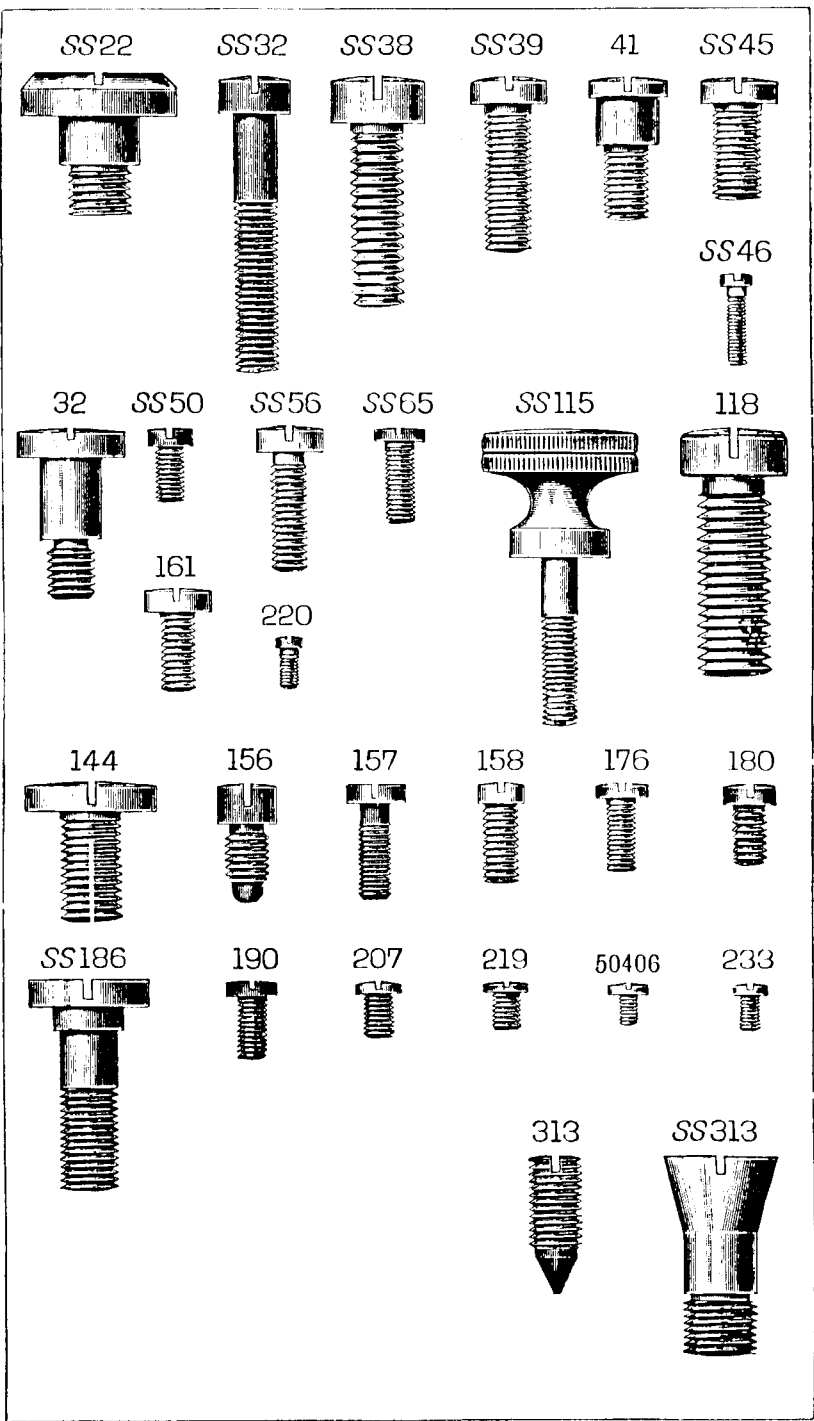


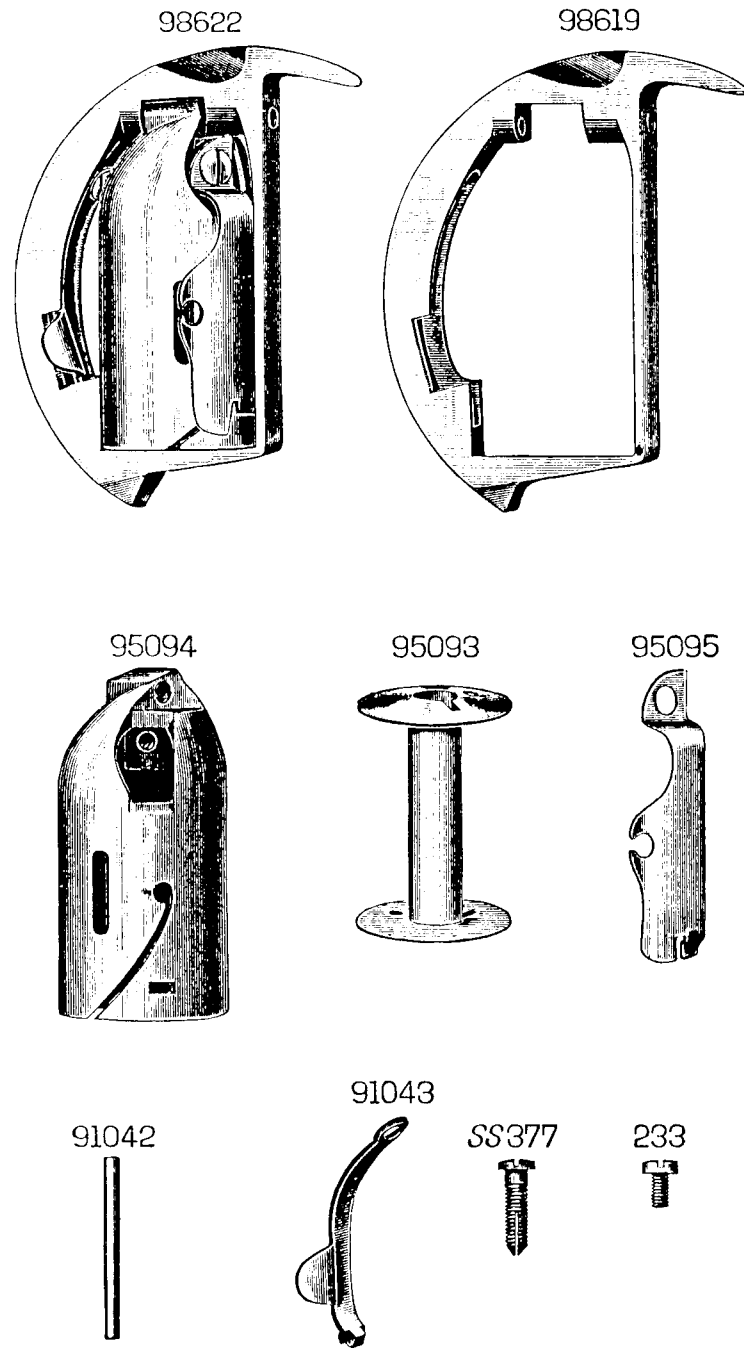
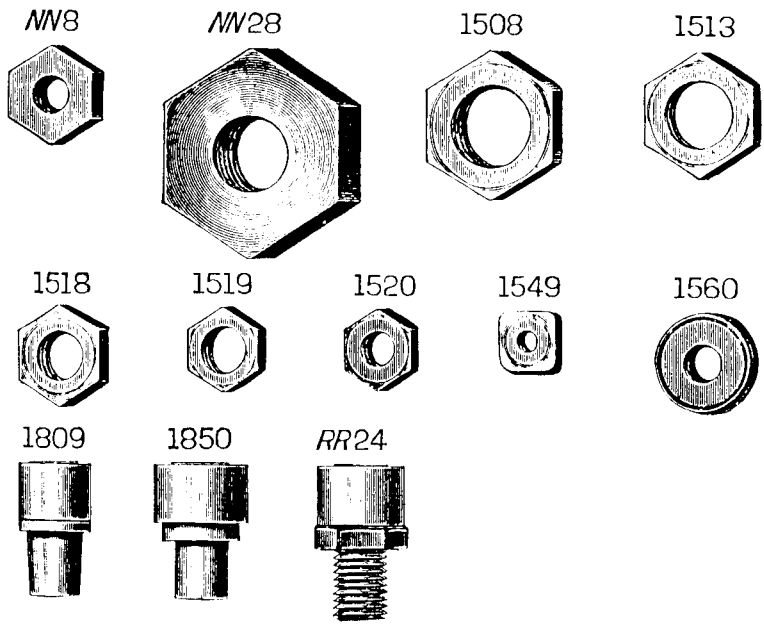
86611

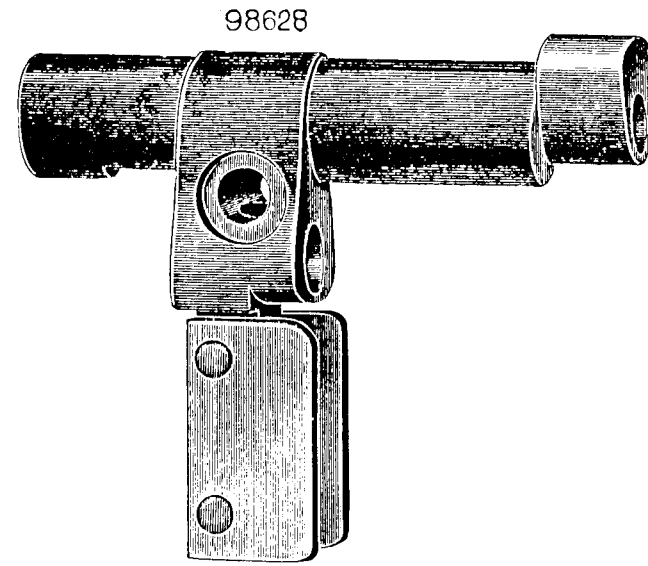
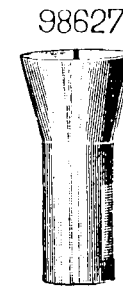
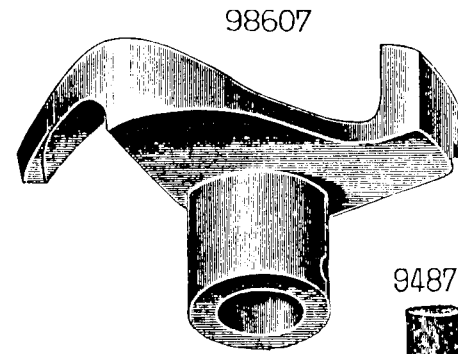
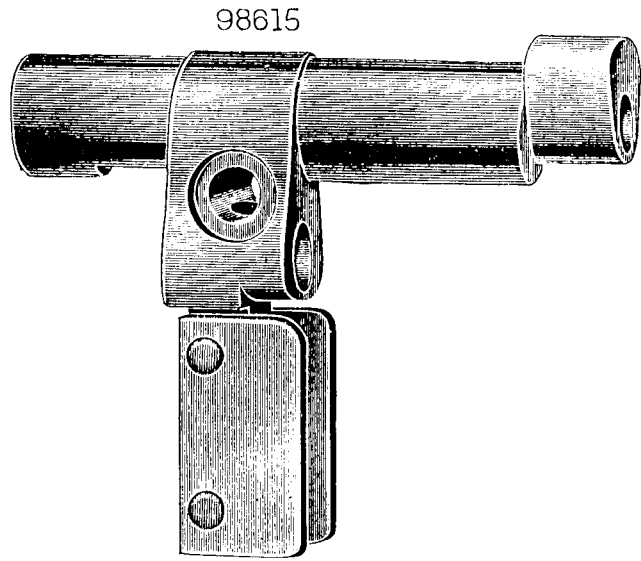
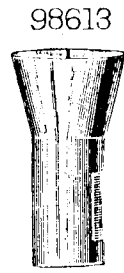
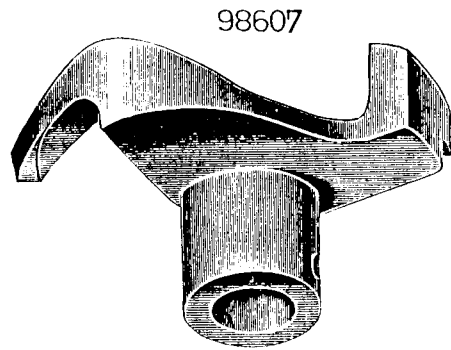


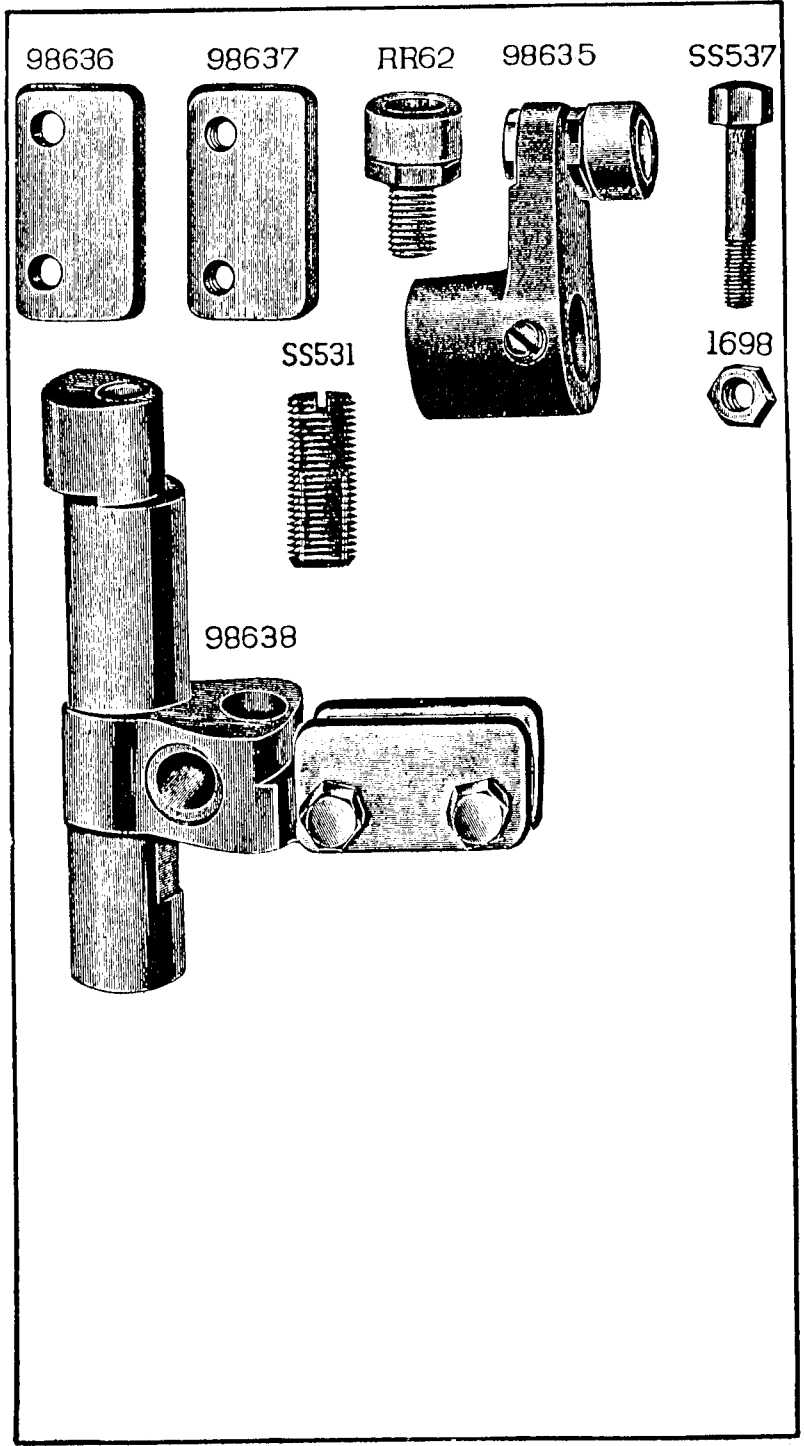
120342











ILLUSTRATED
LIST OF PARTS
FOR
Nos. 45K1, 45K5 and
45K11 Machines

CONTENTS

	Page
Parts Complete for No. 45K1 Machine	45
" Special to No. 45K5 Machine	51
" " " " 45K11 "	51
Accessories	53
Attachments	53
Bobbin Winders	55
Driving Attachment	57
Foot Lifter	56
Obsolete Parts	58
Numerical List of Parts	61

PARTS COMPLETE
FOR
No. 45K1 MACHINE

**Drop Feed, Flat Bed, Needle Bar Link for General Work on
Leather and Cloth.**

INSTRUCTIONS FOR ORDERING

In ordering from this List, the prefix and affix letters with the part number MUST BE quoted exactly as they are shown in the first column.

A number always indicates the same part in whatever List it may appear, or for whatever machine.

Part No.	Plate	Description
†*91001	—	Arm with 446(803), 82499 and 82549 ...
8582	1062	" Dowel Pin (2) ...
118(805)	1601	" Screw (3) ...
91615	1063	Arm Shaft ...
82499	869	" " Bushing (back) ...
82549	1062	" " " (front) ...
446(803)	1602	" " " Set Screw for 82499 ...
82400	871	" " Oil Tube ...
144(804)	1601	" " Screw ...
82402	867	Arm Side Cover ...
51224(804)	1602	" " " Thumb Screw ...
82403	1598	" Spool Pin ...
*91003	—	Bed ...
98664	868	Crank Connecting Rod with 94802, 94872 and two 109779(805)
*94802	—	" " " Cap ...
94872	1698	" " " Oil Pad ...
109779(805)	—	" " " Screw ...
98627	1740	" " " Hinge Stud ...
98614	1698	" " " Cotter Pin ...
1668(803)	1698	" " " " " Nut ...
†91006	867	Face Plate ...
109045(804)	1601	" " Screw (to attach to machine) ...
91007	—	Face Plate, complete , Nos. 233(804), 446(803), 82449, 82450, 82455, 82502, 82503, 82525, 82551, 91006 and 109050(806) ...

† For Two Tone Machines the finish of these parts
is Grey Metallic (Colour Code No. 728).

Part No.	Plate	Description
91008	873	Feed Bar with 80036
94967	853	" " Retaining Spring
80036	1064	" " " " Pin
313(803)	1601	" " Screw Centre (2)
1519(805)	1603	" " " " Nut (2)
3032	869	Feed Cam with 446(803)
446(803)	1602	" " Set Screw
52165	869	Feed Connecting Link
375(803)	1602	" " " Hinge Screw (2)
1518(805)	1603	" " " " " Nut (2)
91607	1064	Feed Dog (General Work, Cloth or Leather)
91010	870	" " (Leather Work)
91011	870	" " (Book Stitching)
704(803)	1602	" " Screw
<i>NOTE.—91607 is sent with this Machine unless other Feed Dog is specified on order.</i>		
91013	873	Feed Forked Connection
375(803)	1602	" " " Hinge Screw
1518(805)	1603	" " " " " Nut
91014	873	Feed Lifting Rock Shaft
91334	---	" " " " 91014 with 91335
91335	870	" " " " Crank with 1809 and two 157(803)
157(803)	1601	" " " " " Clamping Screw
1809	1603	" " " " " Roller and Stud
109576(803)	---	" " " " " Screw Centre (2)
1513(809)	1603	" " " " " " Nut (2)
91017	870	Feed Regulator
1128(805)	1602	" " Hinge Screw
109115(804)	1601	" " Thumb Screw
91018	873	Feed Rock Shaft with 91169
91336	---	" " " 91018 with 91337
91337	870	" " " Crank with two 157(803)
157(803)	1601	" " " " Clamping Screw
91169	1064	" " " Retaining Spring Pin
109576(803)	---	" " " Screw Centre (2)
1513(809)	1603	" " " " " Nut (2)
85527	873	Guide
793(804)	1602	" Thumb Screw (2)

Part No.	Plate	Description
82404	1599	Machine Pulley (two-speeds) with two 434(803)
91002	---	" " (" ") (heavy) with two 434(803)
434(803)	1602	" " Set Screw
<i>NOTE.—82404 is sent with this Machine unless other Machine Pulley is specified on order.</i>		
Catalogue		
4950	---	Needle , size 26 (214×1)
91021	867	Needle Bar
91022	871	" " Connection with two 109779(805)
109779(805)	---	" " " Clamping Screw
91023	869	" " " Link
375(803)	1602	" " " " Hinge Screw
1518(805)	1603	" " " " " " Nut
82520	853	Needle Clamp
156(806)	1601	" " Screw
82521	853	" " Thread Eyelet
50406(804)	1601	" " " " Screw
82522	---	Needle Clamp 82520 with 156(806), 50406(804) and 82521
98638	2000	Oscillating Rock Shaft with 98636, 98637, two each 1698(803) and 109537(803)
98642	870	" " " Hinge Pin
1513(809)	1603	" " " " " Nut
109531(803)	2000	" " " " " Screw Bearing
1513(809)	1603	" " " " " " Nut
98636	2000	" " " Steel Plate (bottom)
98637	2000	" " " " " (top)
109537(805)	2000	" " " " " Binding Screw
1698(803)	2000	" " " " " " Lock Nut
98640	---	Oscillating Rock Shaft , complete, Nos. 1668(803), 98614, 98627 and 98638
91028	873	Oscillating Shuttle Shaft
91029	853	" " " Bushing
109039(803)	1601	" " " " Set Screw
91030	870	" " " Collar with 453(803)
453(803)	1602	" " " " Set Screw
98635	2000	" " " Crank with 453(803), 1518(805) and 113252
11663	853	" " " " Pin
113262	2000	" " " " Roller and Screw Stud
1518(805)	1603	" " " " " " Nut
453(803)	1602	" " " " Set Screw

Part No.	Plate	Description
82426	867	Presser Bar (with squared end) ...
91568	871	" " Automatic Thread Controller ...
207(806)	1601	" " " " " " Screw ...
82429	869	" " Lifter ...
109186(804)	1601	" " " Hinge Screw ...
1518(805)	1603	" " " " " Nut ...
91567	871	" " Lifting Bracket with 446(803) ...
446(803)	1602	" " " " " Set Screw ...
82510	869	" " " " " Tension Release ...
190(806)	1601	" " " " " " " Binding Screw
91569	--	" " " " " 91567 with 82510 and two 190(806)
109316(804)	1602	" " Screw Bushing ...
82430	871	" " Spring ...
91033	874	Presser Foot (Cloth) ...
85827	175	" " (Leather) ...
91034	871	" " (") ...
91039	874	" " (General Work on Cloth, Long Stitch) ...
91035	--	Presser Foot Bracket ...
8554	--	" " " Hinge Pin ...
91037	--	" " Sole ...
91038	874	Presser Foot (hinged), complete, for Sewing Sacks, Nos. 8554, 91035 and 91037
109065(806)	1601	" " Screw ...

NOTE.—No. 91039 is sent with this Machine unless another Presser Foot is specified on order.

95093	1467	Shuttle Bobbin ...
95094	1467	" Cylinder ...
91042	1467	" " Hinge Pin ...
91043	1467	" " Latch Spring ...
109574(804)	1602	" " " " " Screw ...
98619	1694	" Frame ...
95095	1467	" Tension Spring ...
109377(806)	1467	" " " Adjusting Screw ...
98622	1694	Shuttle (Cylinder) 2½" diam., complete, Nos. 91042, 91043, 95093 to 95095, 98619, 109377(806) and 109574(804) ...

No. 98622 can only be used with No. 98607 and not with old style Shuttle Drivers.

98607	1698	Shuttle Driver ...
11663	853	" " Pin ...

No. 98607 can only be used with No. 98622 and not with old style Shuttles.

Part No.	Plate	Description
91048	303	Shuttle Guard ...
109568(804)	1602	" " Thumb Screw ...
1549(805)	1603	" " " " " Lock Nut ...
91049	--	Shuttle Race with 91051, 91052 and 91055 ...
94973	--	" " 91049 with 91054 and two 401(806) ...
109032(806)	1601	" " Bearing Clamping Screw ...
113008(805)	1603	" " " " " Nut ...
91050	853	" " Cap ...
91051	1064	" " " Pin (short) ...
91052	303	" " " " (long) ...
91053	853	" " " Spring ...
41(806)	1601	" " " " " Screw ...
91054	303	" " Loop Spreader ...
401(806)	1602	" " " " " Screw ...
91055	1064	" " Position Pin ...
91056	303	Shuttle Race (adjustable), complete, Nos. 41(806), 1549(805), 91048, 91050, 91053, 94973 and 109568(804)
91057	873	Shuttle Race Slide (back) ...
180(806)	1601	" " " (") Screw (2) ...
91058	873	" " " (front) ...
91059	873	" " " (") Spring ...
337(804)	1602	" " " (") " " Screw ...
91060	--	Shuttle Race Slide 91058 with 91059 and two 337(804) ...
109317(805)	1602	Tension Screw Stud ...
1560(804)	1603	" " " " " Regulating Thumb Nut ...
446(803)	1602	" " " " " Set Screw ...
82445	869	" Spring ...
82446	871	" Washer (felt) ...
82447	869	" " (steel) ...
82448	1064	" Wheel ...
82502	--	Tension , complete, Nos. 1560(804), 82445, 82448, two each 82446, 82447 and 109317(805) ...
82551	1062	Thread Controlling Lever ...
82525	869	" " " " " Spring ...
82455	871	" " " " " Stop Pin ...
82450	869	Thread Eyelet ...
109050(806)	1601	" " " " " Screw ...
82449	869	Thread Guard ...
233(804)	1601	" " " " " Screw ...

Part No.	Plate	Description
2102	1062	Thread Retainer Disc
*413(805)	1602	" " Screw Stud
33892	—	" " " " 413(805) with 1560(804)
1560(804)	1603	" " " " Regulating Thumb Nut
2103	869	" " Spring
82503	—	Thread Retainer , complete, Nos. 2103, 33892 and two 2102
91617	1062	Thread Take-up Cam with 109320(803) and 109370(803)
109320(803)	1602	" " " Set Screw
109370(803)	1062	" " " Timing Screw
82452	—	Thread Take-up Lever
82453	869	" " " 82452 with 1519(805) and 113224
109022(806)	1601	" " " Hinge Screw... ..
113224	1603	" " " Roller and Screw Stud
1519(805)	1603	" " " " " " " " Nut
91063	282	Throat Plate for 91011
91610	1064	" " " 91607 (coarse needle hole)
91609	1064	" " " 91607 (fine needle hole)
91065	282	" " " 91010
91079	1064	" " " 91011 (for Book Stitching)
180(806)	1601	" " " Screw (2)

NOTE.—91610 is sent with this Machine unless another Throat Plate is specified on order.

†91796	1063	Oil Box
†82459	1063	" " Cover
82460	1062	" " " Hinge Pin
†80106	1062	" " " Latch Spring
219(806)	1601	" " " " " Screw
82462	1062	" " " " " Washer
82463	—	" " " Oil Pad (cloth)
109050(806)	1601	" " " " " Screw
82462	1062	" " " " " Washer
109395(806)	1062	" " " Stud Screw
109042(806)	1062	" " " " " Set Screw
†91797	1063	Oil Box , complete, Nos. 219(806), 80106, 82459, 82460, 82463, 91796, 109042(806), 109050(806) and two 82462

82550 — **Drip Pan**

† For Two-Tone Machines the finish of these parts is Grey Metallic (Colour Code No. 728).

No. 45K5 Machine

Drop Feed, Flat Bed, Needle Bar Link and Roller Presser for Leather Work

This machine is the same as 45K1 with the exception that No. 82435 is sent in place of No. 91039

Part No.	Plate	Description
Catalogue		
4960	—	Needle , size 25 (214 × 2)
113225	868	Roller (1½" diam. × ⅝" face) with 378(803) and 1520(813)
†82432	868	" Arm
†82433	868	" " Bracket
430(830)	1602	" " " Adjusting Screw
1520(813)	1603	" " " " " Nut
109329(803)	1602	" " " Clamping Screw
82434	868	" " " Lock Spring
109050(803)	1601	" " " " " Screw
313(803)	1601	" " " " " Screw Centre
1519(805)	1603	" " " " " Nut
378(803)	1602	" " " Bearing Screw
1520(813)	1603	" " " " " Nut
82435	868	Roller Presser , complete (1½" × ⅝"), Nos. 430(830), 1520(813), 82432 to 82434, 109050(803), 109329(803), 113225, two each 313(803) and 1519(805)

No. 45K11 Machine

Drop Feed, Flat Bed, Needle Bar Link, ½" Stitch for Cloth Work

This Machine is the same as 45K1 with the following exceptions:—

Part No.	Plate	Description
*91570	—	Arm with 446(803), 82499 and 82549
*91069	—	Bed
91071	870	Feed Dog
91072	868	Feed Forked Connection
91073	868	Feed Rock Shaft with 91169
91338	—	" " " 91073 with 91337
91075	870	Presser Bar Spring
91076	874	Presser Foot
91077	868	Shuttle Race Slide (back)
109779(806)	—	" " " (") Screw
91078	282	Throat Plate for 91071
109779(806)	—	" " " Screw

† For Two-Tone Machines the finish of these parts is Grey Metallic (Colour Code No. 728).

Accessories

Accessories supplied with Nos. 45K1 and 45K11 Machines

Part No.	Plate	Description
95093	1467	Bobbin (2)
—	—	Instruction Book
84118	1598	Machine Button with 84151 and wood screw 1 $\frac{1}{4}$ " No. 9
Catalogue		R.H.B.
4950	—	Needles, sizes 19, 22, 23, 24, 25 and 26 (214 × 1) ...
120342	1600	Oiler
86611	1600	Screw Driver (large)... ..
161295	—	" " (small)

Accessories supplied with No. 45K5 Machine

These Accessories are the same as for Nos. 45K1 and 45K11 Machines with the following addition:—

Part No.	Plate	Description
Catalogue		
4950	—	Needles, sizes 19, 21, 22, 23, 24 and 25 (214 × 2) ...
8908	—	Wrench for 1519 and 1520

Attachments

Attachments for Saddlery Work for No. 45K1 Machine

Part No.	Plate	Description
85749	175	Base
85750	175	" Spring
85751	175	" " Regulator with 109310(804)
109310(804)	—	" " " Thumb Screw
207(804)	1601	" " Screw
85325	—	" " " Washer
85752	175	Binder, only, complete, Nos. 207(804), 85325 and 85749 to 85751
85822	175	Combination Guide
85823	175	" " Base
161(804)	1601	" " Screw
85514	—	" " " Washer
85824	175	Combination Guide, complete, Nos. 161(804), 85514, 85822 and 85823
85825	175	Presser Foot (for Oval Traces)
85826	175	" " (for Sewing Rounds)
85753	175	" " (for Binding)
85827	175	" " (for General Work)
85828	175	Saddlery Attachment, complete, Nos. 85752, 85753 and 85824 to 85827

Binder for Leather for No. 45K1 Machine

Part No.	Plate	Description
85749	175	Base
85750	175	" Spring
85751	175	" " Regulator with 109310(804)
109310(804)	---	" " " Thumb Screw
207(804)	1601	" " Screw
85325	---	" " " Washer
85752	175	Binder only, complete, Nos. 207(804), 85325 and 85749 to 85751
85753	175	Presser Foot
85754	---	Binder, complete, Nos. 85752 and 85753

Binder for Horse Rugs for No. 45K1 Machine

Part No.	Plate	Description
85476	872	Base
85477	872	" Wire Guide
85478	872	" " Clamp Plate
793(804)	1602	" " " Thumb Screw
85479	---	Binder only, complete, Nos. 793(804) and 85476 to 85478
85755	872	Slide
793(804)	1602	" Thumb Screw
85756	872	Binder with Slide, complete, Nos. 85479, 85755 and two 793(804)
85757	872	Presser Foot
85758	872	Binder, complete, Nos. 85756 and 85757

Welting Attachment for Boots for No. 45K1 Machine

Part No.	Plate	Description
86135	226	Guide (plain)
86128	---	Reel Holder Bracket
86129	---	" " " Pin
86130	226	Reel Holder, complete, Nos. 86128 and 86129
86136	226	Presser Foot
86127	226	Welt Guide
86137	226	Welting Attachment, complete, Nos. 86127, 86130, 86135 and 86136

Bobbin Winders

Bobbin Winder (Friction) for Fast Wheel Machine

Part No.	Plate	Description
†82527	838	Bracket
109066(804)	1601	" Screw
†82528	838	Frame
32(804)	1601	" Hinge Screw
5960	1598	Friction Wheel (leather)
5961	1598	" " Washer
333(813)	1598	" " " Screw
91446	838	Spindle with 15072
15072	---	" Bobbin Position Pin
5963	1598	" Flange
91447	838	Frame, complete, Nos. 333(813), 5960, 5961, 5963, 82528 and 91446
82537	838	Spring
161(804)	1601	" Screw
82538	838	" " Washer
91448	---	Bobbin Winder, complete, Nos. 32(804), 161(804), 82527, 82537, 82538 and 91447

NOTE.—No. 91448 is supplied with these machines unless otherwise specified on order.

Bobbin Winder (Friction) for Machine with Driving Attachment

This Bobbin Winder is the same as 91448 with the following exceptions:—

Part No.	Plate	Description
91476	838	Bracket
91477	---	Bobbin Winder, complete, Nos. 32(804), 161(804), 82537, 82538, 91447 and 91476

Bobbin Winder (Swinging Automatic, Right Hand) for 95093

Part No.	Plate	Description
27540	1487	Base
---	---	" Screw (wood) 1" No. 7 R.H.
27302	1487	Frame
50356(802)	1487	" Hinge Screw
1620(809)	1487	" " " Nut
27303	1487	" Spring
27541	1487	Pulley
98673	1487	Spindle with 15072
15072	---	" Bobbin Position Pin
27306	1488	Spool Pin
27307	1488	" Stand
†27308	---	" " 27307 with 418(804), 1562(809), 2106, 10141, 27306, two each 2455 and wood screws 1" No. 10

† As No. 27308 can be supplied either Plated or Japanned, it is necessary, when ordering, to state which is required.

Part No.	Plate	Description
95197	1487	Stop Latch
35(804)	1487	" " Hinge Screw
2455	1488	Tension Disc
1562(809)	1488	" Regulating Thumb Nut
418(804)	1488	" Screw Stud
10141	1488	" Spring
2106	1488	Thread Guide
95198	1488	Bobbin Winder, Nos. 35(804), 1620(809), 27302, 27303, 27540, 27541, 50356(802), 95197, 98673 and two wood screws 1" No. 7 R.H.
95199	—	Bobbin Winder , complete, Nos. 27308 and 95198

Foot Lifter

Part No.	Plate	Description
91716	1063	Arm Lever
694(804)	1602	" " Hinge Screw
91457	755	Foot Lever with 176(803)
91459	755	" " Bracket
17881	755	" " " Hinge Pin
—	—	" " " Screw (wood) 1" No. 12
91458	755	" " Extension
176(803)	1601	" " " Set Screw
98626	755	" " Spring
91454	—	Foot Lever only, complete, Nos. 17881, 91457 to 91459, 98626 and two wood screws 1" No. 12
17877	755	Foot Lever Pitman Rod (lower)
17878	755	" " " " (upper)
17879	755	" " " " Clamp with two 161(804)
161(804)	1601	" " " " " Screw
17880	755	Foot Lever Pitman Rod, complete, Nos. 17877 to 17879
91453	755	" " " " Connecting Hook (7" long)
91455	—	Foot Lever, complete, Nos. 17880 and 91454
91456	—	Foot Lifter , complete, Nos. 694(804), 91453, 91455 and 91716

Driving Attachment

Part No.	Plate	Description
91473	1599	Balance Wheel with 434(803), 451(803), 91475 and four 402(805)
91474	1599	" " Friction Pulley (two-speeds) with 448(803) and 91294
448(803)	1602	" " " " Set Screw
91294	1599	" " " " Centre Bearing
91475	1599	" " " " Ring (cardboard)
402(805)	1602	" " " " " Screw
434(803)	1602	" " Set Screw (long)
451(803)	1602	" " " " (short)
91296	755	Starting Lever
91297	755	" " Bracket
91298	—	" " " Hinge Pin
—	—	" " " Screw (wood) 1 1/4" No. 15
91299	755	" " Nos. 91296 to 91298 and three wood screws 1 1/4" No. 15
17877	755	Starting Lever Pitman Rod (lower)
17878	755	" " " " (upper)
17879	755	" " " " Clamp with two 161(804)
161(804)	1601	" " " " " Screw
17880	755	Starting Lever Pitman Rod, complete, Nos. 17877 to 17879
91460	—	Starting Lever and Pitman, complete, Nos. 17880 and 91299
84275	—	Shaft Pulley (sectional, grooved), 10" diam., with two 597(803)
597(803)	1602	" " Clamping Screw
91301	1599	Lever with 7958 and 91306
91302	1599	" Bracket
109038(803)	1601	" " Screw
91303	1599	" Centre Plug (wood)
427(803)	1602	" " " Adjusting Screw
1508(805)	1603	" " " " " Nut
91306	—	" Friction Pad (leather)
693(804)	1602	" Hinge Screw
113028(803)	1603	" " " Nut
91307	1599	" Spring
161(804)	1601	" " Screw
7958	—	" " " Pin
91309	—	Lever, complete, Nos. 161(804), 427(803), 693(804), 1508(805), 91301 to 91303, 91307, 113028 and two 109038(803)
91478	—	Driving Attachment , complete, Nos. 84275, 91309, 91460, 91473 and 91474

Obsolete Parts

Part No.	Plate	Description
82398	---	Arm Shaft
91408	867	" "
82399	---	" " Bushing (front)
91269	---	Crank Connecting Rod with 91005, 109044(803) and two 109779(805) (for use with Hinge Screw 109017(803) ...
91004	---	Crank Connecting Rod with 91005 and two 109779(805) (for use with Hinge Screw 373(803) ...
91317	867	Crank Connecting Rod with 91005, 94872 and two 109779(805) (for use with Hinge Screw 109313(803) ...
*91005	---	Crank Connecting Rod Cap
109313(803)	1601	" " " Hinge Screw
109045(804)	1601	" " " " " Set Screw
98613	1698	" " " " Stud
91009	870	Feed Dog (General Work, Cloth or Leather) for 45K1 and 45K5 Machines
91273	---	Needle Clamp Thread Eyelet
91027	---	Oscillating Rock Shaft with two each 91025 and 91026 ...
91439	853	" " " " 91025, 94972 and two 91026
98615	1698	" " " " 91025, 94972 and two 91026 ...
98628	1740	" " " " 91025, 94972 and two 91026 ...
91025	1064	" " " Steel Plate (bottom)
94972	1598	" " " " " (top)
91026	1064	" " " " " Rivet
91031	870	" Shuttle Shaft Crank with 453(803) and 1850 ...
1850	1603	" " " " Roller and Stud
91276	---	Shuttle Cylinder Latch Spring
220(806)	1601	" " " " Screw
95080	1260	Shuttle Cylinder
95081	1260	" " Latch Spring
233(806)	1467	" " " " Screw
95082	1260	" Frame
95186	1467	Shuttle Frame
95096	1467	Shuttle (Cylinder) 2½" diam., complete, Nos. 233(806), 91042, 91043, 950093 to 95095, 95186 and 109377(806)
91047	---	Shuttle Driver
91597	853	" "

NOTE.—The above Shuttle, Shuttle parts and Shuttle Drivers are not interchangeable with the new style parts, and No. 95096 must be used in conjunction with No. 91597.

Part No.	Plate	Description
91278	---	Shuttle Race Loop Spreader and Guard
91279	---	" " " " Spring
91045	---	" Tension Spring
95083	1260	" " " "
109046(806)	1601	" " " Adjusting Screw
91280	---	Tension Washer
82543	---	Thread Controlling Lever
91061	---	" Take-up Cam with two 448(803)
91403	867	" " " with 109320(803) and 1065(803) ...
82454	---	" " Spring
91064	282	Throat Plate (coarse needle hole) for 91009 for 45K1 and 45K5 Machines
91066	---	Throat Plate (fine needle hole) for 91009 for 45K1 and 45K5 Machines

Numerical List of Parts

Part No.	Plate	Description
32(804)	1601	Bobbin Winder Frame Hinge Screw for 91448 and 91477
35(804)	1487	Bobbin Winder Stop Latch Hinge Screw for 95198
41(806)	1601	Shuttle Race Cap Spring Screw for 91056
118(805)	1601	Arm Screw
144(804)	1601	Arm Shaft Screw
156(806)	1601	Needle Clamp Screw for 82522
157(803)	1601	Feed Lifting Rock Shaft Crank Clamping Screw for 91335
157(803)	1601	Feed Rock Shaft Crank Clamping Screw for 91337
161(804)	1601	Saddlery Attachment Combination Guide Screw for 85824
161(804)	1601	Bobbin Winder Spring Screw for 91448 and 91477
161(804)	1601	Foot Lifter Foot Lever Pitman Rod Clamp Screw for 17879
161(804)	1601	Driving Attachment Starting Lever Pitman Rod Clamp Screw for 17879
161(804)	1601	Driving Attachment Lever Spring Screw for 91309
176(803)	1601	Foot Lifter Foot Lever Extension Set Screw for 91457
180(806)	1601	Shuttle Race Slide (back) Screw for 45K1 and 45K5 Machines
180(806)	1601	Throat Plate Screw for 45K1 and 45K5 Machines
190(806)	1601	Presser Bar Lifting Bracket Tension Release Binding Screw for 91569... ..
207(804)	1601	Binder Base Spring Screw for 85752
207(806)	1601	Presser Bar Automatic Thread Controller Screw
219(806)	1601	Oil Box Cover Latch Spring Screw for 91797
220(806)	1601	Shuttle Cylinder Latch Spring Screw (Obsolete)
233(804)	1601	Thread Guard Screw for 91007
233(806)	1601	Shuttle Cylinder Latch Spring Screw for 95096 (Obsolete)
313(803)	1601	Feed Bar Screw Centre... ..
313(803)	1601	Roller Arm Screw Centre for 82435
333(813)	1598	Bobbin Winder Friction Wheel Washer Screw for 91447
337(804)	1602	Shuttle Race Slide (front) Spring Screw for 91060
375(803)	1602	Feed Connecting Link Hinge Screw
375(803)	1602	Feed Forked Connection Hinge Screw
375(803)	1602	Needle Bar Connection Link Hinge Screw
378(803)	1602	Roller Bearing Screw for 113225
401(806)	1602	Shuttle Race Loop Spreader Screw for 94973

Part No.	Plate	Description
402(805)	1602	Driving Attachment Balance Wheel Friction Pulley Ring Screw for 91473
*413(805)	1602	Thread Retainer Screw Stud for 33892
418(804)	1488	Spool Stand Tension Screw Stud for 27308
427(803)	1602	Driving Attachment Lever Centre Plug Adjusting Screw for 91309
430(830)	1602	Roller Arm Bracket Adjusting Screw for 82435
434(803)	1602	Machine Pulley Set Screw for 82404 and 91002
434(803)	1602	Driving Attachment Balance Wheel Set Screw (long) for 91473
446(803)	1602	Arm Shaft Bushing Set Screw for 91001 and 91570
446(803)	1602	Feed Cam Set Screw for 3032
446(803)	1602	Presser Bar Lifting Bracket Set Screw for 91567
446(803)	1602	Tension Screw Stud Set Screw for 91007
448(803)	1602	Driving Attachment Balance Wheel Friction Pulley Set Screw for 91474
451(803)	1602	Driving Attachment Balance Wheel Set Screw (short) for 91473
453(803)	1602	Oscillating Shuttle Shaft Collar Set Screw for 91030
453(803)	1602	Oscillating Shuttle Shaft Crank Set Screw for 91031 and 98635
597(803)	1602	Driving Attachment Shaft Pulley Clamping Screw for 84275
693(804)	1602	Driving Attachment Lever Hinge Screw for 91309
694(804)	1602	Foot Lifter Arm Lever Hinge Screw for 91456
704(803)	1602	Feed Dog Screw
793(804)	1602	Guide Thumb Screw
793(804)	1602	Binder Base Wire Clamp Plate Thumb Screw for 85479
793(804)	1602	Binder Slide Thumb Screw for 85756
1128(805)	1602	Feed Regulator Hinge Screw
1508(805)	1603	Driving Attachment Lever Centre Plug Adjusting Screw Nut for 91309
1513(809)	1603	Feed Lifting Rock Shaft Screw Centre Nut
1513(809)	1603	Feed Rock Shaft Screw Centre Nut
1513(809)	1603	Oscillating Rock Shaft Hinge Pin Nut
1513(809)	1603	Oscillating Rock Shaft Hinge Pin Screw Bearing Nut
1518(805)	1603	Feed Connecting Link Hinge Screw Nut
1518(805)	1603	Feed Forked Connection Hinge Screw Nut
1518(805)	1603	Needle Bar Connection Link Hinge Screw Nut
1518(805)	1603	Oscillating Shuttle Shaft Crank Roller and Screw Stud Nut for 98635
1518(805)	1603	Presser Bar Lifter Hinge Screw Nut
1519(805)	1603	Feed Bar Screw Centre Nut

Part No.	Plate	Description
1519(805)	1603	Thread Take-up Lever Roller and Screw Stud Nut for 82453
1519(805)	1603	Roller Arm Screw Centre Nut for 82435
1520(813)	1603	Roller Arm Bracket Adjusting Screw Nut for 82435
1520(813)	1603	Roller Bearing Screw Nut for 113225
1549(805)	1603	Shuttle Guard Thumb Screw Lock Nut for 91056
1560(804)	1603	Tension Screw Stud Regulating Thumb Nut for 82502
1560(804)	1603	Thread Retainer Screw Stud Regulating Thumb Nut for 33892
1562(809)	1488	Spool Stand Tension Regulating Thumb Nut for 27308
1620(809)	1487	Bobbin Winder Frame Hinge Screw Nut for 95198
1668(803)	1698	Crank Connecting Rod Hinge Stud Cotter Pin Nut for 98640
1698(803)	2000	Oscillating Rock Shaft Steel Plate Binding Screw Lock Nut for 98638
1809	1603	Feed Lifting Rock Shaft Crank Roller and Stud for 91335
1850	1603	Oscillating Shuttle Shaft Crank Roller and Stud for 91031 (Obsolete)
2102	1062	Thread Retainer Disc for 82503
2103	869	Thread Retainer Spring for 82503
2106	1488	Spool Stand Thread Guide for 27308
2455	1488	Spool Stand Tension Disc for 27308
3032	869	Feed Cam with 446(803)
5960	1598	Bobbin Winder Friction Wheel (leather) for 91447
5961	1598	Bobbin Winder Friction Wheel Washer for 91447
5963	1598	Bobbin Winder Spindle Flange for 91447
7958	-	Driving Attachment Lever Spring Screw Pin for 91301
8554	-	Presser Foot Bracket Hinge Pin for 91038
8582	1062	Arm Dowel Pin
8908	-	Wrench for 1519 and 1520 for 45K5 Machine (Accessories)
10141	1488	Spool Stand Tension Spring for 27308
11663	853	Oscillating Shuttle Shaft Crank Pin
11663	853	Shuttle Driver Pin
15072	-	Bobbin Winder Spindle Bobbin Position Pin for 91446 and 98673
17877	755	Foot Lifter Foot Lever Pitman Rod (lower) for 17880
17877	755	Driving Attachment Starting Lever Pitman Rod (lower) for 17880
17878	755	Foot Lifter Foot Lever Pitman Rod (upper) for 17880
17878	755	Driving Attachment Starting Lever Pitman Rod (upper) for 17880

Part No.	Plate	Description
17879	755	Foot Lifter Foot Lever Pitman Rod Clamp with two 161(804) for 17880
17879	755	Driving Attachment Starting Lever Pitman Rod Clamp with two 161(804) for 17880
17880	755	Foot Lifter Foot Lever Pitman Rod, complete, Nos. 17877 to 17879 for 91455
17880	755	Driving Attachment Starting Lever Pitman Rod, complete, Nos. 17877 to 17879 for 91460
17881	755	Foot Lifter Foot Lever Bracket Hinge Pin for 91454
27302	1487	Bobbin Winder Frame for 95198
27303	1487	Bobbin Winder Frame Spring for 95198
27306	1488	Spool Stand Spool Pin for 27308
27307	1488	Spool Stand for 27308
†27308	—	Spool Stand 27307 with 418(804), 1562(809), 2106, 10141, 27306, two each 2455 and wood screws 1" No. 10, for 95199

† As No. 27308 can be supplied either Plated or Japanned, it is necessary, when ordering, to state which is required.

27540	1487	Bobbin Winder Base for 95198
27541	1487	Bobbin Winder Pulley for 95198
33892	—	Thread Retainer Screw Stud 413(805) with 1560(804) for 82503
50356(802)	1487	Bobbin Winder Frame Hinge Screw for 95198
50406(804)	1601	Needle Clamp Thread Eyelet Screw for 82522
51224(804)	1602	Arm Side Cover Thumb Screw
52165	869	Feed Connecting Link
80036	1064	Feed Bar Retaining Spring Pin for 91008
†80106	1062	Oil Box Cover Latch Spring for 91797
82398	—	Arm Shaft (Obsolete)
82399	—	Arm Shaft Bushing (front) (Obsolete)
82400	871	Arm Shaft Oil Tube
82402	867	Arm Side Cover
82403	1598	Arm Spool Pin
82404	1599	Machine Pulley (two-speeds) with two 434(803)
82426	867	Presser Bar (with squared end)
82429	869	Presser Bar Lifter
82430	871	Presser Bar Spring for 45K1 and 45K5 Machines
†82432	868	Roller Arm for 82435
†82433	868	Roller Arm Bracket for 82435
82434	868	Roller Arm Lock Spring for 82435
82435	868	Roller Presser, complete, (1½" × 5/16"), Nos. 430(830), 1520(813), 82432 to 82434, 109050(803), 113225, two each 313(803), and 1519(805) for 45K5 Machine

† For Two-Tone Machines the finish of these parts is Grey Metallic (Colour Code No. 728).

Part No.	Plate	Description
82445	869	Tension Spring for 82502
82446	871	Tension Washer (felt) for 82502
82447	869	Tension Washer (steel) for 82502
82448	1064	Tension Wheel for 82502
82449	869	Thread Guard for 91007
82450	869	Thread Eyelet for 91007
82452	—	Thread Take-up Lever for 82453
82453	869	Thread Take-up Lever, 82452 with 1519(805) and 113224
82454	—	Thread Take-up Spring (Obsolete)
82455	871	Thread Controlling Lever Stop Pin for 91007
†82459	1063	Oil Box Cover for 91797
82460	1062	Oil Box Cover Hinge Pin for 91797
82462	1062	Oil Box Cover Latch Spring Screw Washer for 91797
82462	1062	Oil Box Oil Pad Washer for 91797
82463	—	Oil Box Oil Pad (cloth) for 91797
82499	869	Arm Shaft Bushing (back) for 91001 and 91570
82502	—	Tension, complete, Nos. 1560(804), 82445, 82448, 109317(805), two each 82446 and 82447 for 91007
82503	—	Thread Retainer, complete, Nos. 2103, 33892 and two 2102 for 91007
82510	869	Presser Bar Lifting Bracket Tension Release for 91569
82520	853	Needle Clamp for 82522
82521	853	Needle Clamp Thread Eyelet for 82522
82522	—	Needle Clamp, 82520 with 156(806), 50406(804) and 82521
82525	869	Thread Controlling Lever Spring for 91007
†82527	838	Bobbin Winder Bracket for 91448
†82528	838	Bobbin Winder Frame for 91447
82537	838	Bobbin Winder Spring for 91448 and 91477
82538	838	Bobbin Winder Spring Screw Washer for 91448 and 91477
82543	—	Thread Controlling Lever (Obsolete)
82549	1062	Arm Shaft Bushing (front) for 91001 and 91570
82550	—	Drip Pan
82551	1062	Thread Controlling Lever for 91007
84118	1598	Machine Button with 84151 and wood screw 1½" No. 9 R.H.B. (Accessories)
84275	—	Driving Attachment Shaft Pulley (sectional, grooved) 10" diam., with two 597(803) for 91478
85325	—	Binder Base Spring Screw Washer for 85752
85476	872	Binder Base for 85479

† For Two-Tone Machines the finish of these parts is Grey Metallic (Colour Code No. 728).

Part No.	Plate	Description
85477	872	Binder Base Wire Guide for 85479
85478	872	Binder Base Wire Clamp Plate for 85479
85479	--	Binder only, complete, Nos. 793(804) and 85476 to 85478 for 85756
85514	--	Saddlery Attachment Combination Guide Screw Washer for 85824
85527	873	Guide
85749	175	Binder Base for 85752
85750	175	Binder Base Spring for 85752
85751	175	Binder Base Spring Regulator with 109310(804) for 85752
85752	175	Binder only, complete, Nos. 207(804), 85325 and 85749 to 85751 for 85754 and 85828
85753	175	Binder Presser Foot for 85754
85753	175	Saddlery Attachment Presser Foot (for Binding) for 85828
85754	--	Binder (for Leather), complete, Nos. 85752 and 85753 for 45K1 Machine
85755	872	Binder Slide for 85756
85756	872	Binder with Slide, complete, Nos. 85479, 85755 and two 793(804) for 85758
85757	872	Binder Presser Foot for 85758
85758	872	Binder (for Horse Rugs), complete, Nos. 85756 and 85757 for 45K1 Machine
85822	175	Saddlery Attachment Combination Guide for 85824
85823	175	Saddlery Attachment Combination Guide Base for 85824
85824	175	Saddlery Attachment Combination Guide, complete, Nos. 161(804), 85514, 85822 and 85823 for 85828
85825	175	Saddlery Attachment Presser Foot (for Oval Traces) for 85828
85826	175	Saddlery Attachment Presser Foot (for Sewing Rounds) for 85828
85827	175	Presser Foot (Leather) for 45K1 Machine
85827	175	Saddlery Attachment Presser Foot (for General Work) for 85828
85828	175	Saddlery Attachment, complete, Nos. 85752, 85753 and 85824 to 85827 for 45K1 Machine
86127	226	Welting Attachment Welt Guide for 86137
86128	--	Welting Attachment Reel Holder Bracket for 86130
86129	--	Welting Attachment Reel Holder Bracket Pin for 86130
86130	226	Welting Attachment Reel Holder, complete, Nos. 86128 and 86129 for 86137
86135	226	Welting Attachment Guide (plain) for 86137

Part No.	Plate	Description
86136	226	Welting Attachment Presser Foot for 86137
86137	226	Welting Attachment (for Boots), complete, Nos. 86127, 86130, 86135 and 86136 for 45K1 Machine
86611	1600	Screw Driver (large) (Accessories)
†*91001	--	Arm with 446(803), 82499 and 82549 for 45K1 and 45K5 Machines
91002	--	Machine Pulley (two-speeds) (heavy) with two 434(803)
*91003	1063	Bed for 45K1 and 45K5 Machines
91004	--	Crank Connecting Rod with 91005 and two 109779(805) (Obsolete)
*91005	--	Crank Connecting Rod Cap for 91004, 91269 and 91317 (Obsolete)
†91006	867	Face Plate for 91007
91007	--	Face Plate, complete, Nos. 233(804), 446(803), 82449, 82450, 82455, 82502, 82503, 82525, 82551, 91006 and 109050(806)
91008	873	Feed Bar with 80036
91009	870	Feed Dog (General Work, Cloth or Leather) for 45K1 and 45K5 Machines (Obsolete)
91010	870	Feed Dog (Leather Work) for 45K1 and 45K5 Machines
91011	870	Feed Dog (Book Stitching) for 45K1 Machine
91013	873	Feed Forked Connection for 45K1 and 45K5 Machines
91014	873	Feed Lifting Rock Shaft for 91334
91017	870	Feed Regulator
91018	873	Feed Rock Shaft with 91169 for 91336
91021	867	Needle Bar
91022	871	Needle Bar Connection with two 109779(805)
91023	869	Needle Bar Connection Link
91025	1064	Oscillating Rock Shaft Steel Plate (bottom) for 91027, 91439, 98615 and 98628 (Obsolete)
91026	1064	Oscillating Rock Shaft Steel Plate Rivet for 91027, 91439, 98615 and 98628 (Obsolete)
91027	--	Oscillating Rock Shaft with two each 91025 and 91026 (Obsolete)
91028	873	Oscillating Shuttle Shaft
91029	853	Oscillating Shuttle Shaft Bushing
91030	870	Oscillating Shuttle Shaft Collar with 453(803)
91031	870	Oscillating Shuttle Shaft Crank with 453(803) and 1850 (Obsolete)
91033	874	Presser Foot (Cloth) for 45K1 Machine

† For Two-Tone Machines the finish of these parts is Grey Metallic (Colour Code No. 728).

Part No.	Plate	Description
91034	874	Presser Foot (Leather) for 45K1 Machine ...
91035	—	Presser Foot Bracket for 91038 ...
91037	—	Presser Foot Sole for 91038 ...
91038	874	Presser Foot (hinged), complete, for Sewing Sacks, Nos. 8554, 91035 and 91037 for 45K1 Machine ...
91039	874	Presser Foot (General Work on Cloth, Long Stitch) for 45K1 Machine ...
91042	1467	Shuttle Cylinder Hinge Pin for 95096 and 98622 ...
91043	1467	Shuttle Cylinder Latch Spring for 95096 and 98622 ...
91045	—	Shuttle Tension Spring ... (Obsolete)
91047	—	Shuttle Driver ... (Obsolete)
91048	303	Shuttle Guard for 91056 ...
91049	—	Shuttle Race with 91051, 91052 and 91055 for 94973 ...
91050	853	Shuttle Race Cap for 91056 ...
91051	1064	Shuttle Race Cap Pin (short) for 91049 ...
91052	303	Shuttle Race Cap Pin (long) for 91049 ...
91053	853	Shuttle Race Cap Spring for 91056 ...
91054	303	Shuttle Race Loop Spreader for 94973 ...
91055	1064	Shuttle Race Position Pin for 91049 ...
91056	303	Shuttle Race (adjustable), complete, Nos. 41(806), 1549(805), 91048, 91050, 91053, 94973 and 109568(804) ...
91057	873	Shuttle Race Slide (back) for 45K1 and 45K5 Machines ...
91058	873	Shuttle Race Slide (front) for 91060 ...
91059	873	Shuttle Race Slide (front) Spring for 91060 ...
91060	—	Shuttle Race Slide 91058 with 91059 and two 337(804) ...
91061	—	Thread Take-up Cam with two 448(803) (Obsolete) ...
91063	—	Throat Plate for 91011 for 45K1 Machine ...
91064	282	Throat Plate (coarse needle hole) for 91009 for 45K1 and 45K5 Machines... (Obsolete)
91065	282	Throat Plate for 91010 for 45K1 and 45K5 Machines ...
91066	—	Throat Plate (fine needle hole) for 91009 for 45K1 and 45K5 Machines... (Obsolete)
*91069	—	Bed for 45K11 Machine ...
91071	870	Feed Dog for 45K11 Machine ...
91072	868	Feed Forked Connection for 45K11 Machine ...
91073	868	Feed Rock Shaft with 91169 for 91338 ...
91075	870	Presser Bar Spring for 45K11 Machine ...
91076	874	Presser Foot for 45K11 Machine ...
91077	868	Shuttle Race Slide (back) for 45K11 Machine ...
91078	282	Throat Plate for 91071 for 45K11 Machine ...
91079	1064	Throat Plate for 91011 for 45K1 Machine ...
91169	1064	Feed Rock Shaft Retaining Spring Pin for 91018 and 91073 ...

Part No.	Plate	Description
91269	—	Crank Connecting Rod with 109044(803), 91005 and two 109779(805) ... (Obsolete)
91273	—	Needle Clamp Thread Eyelet ... (Obsolete)
91276	—	Shuttle Cylinder Latch Spring ... (Obsolete)
91278	—	Shuttle Race Loop Spreader and Guard (Obsolete)
91279	—	Shuttle Race Loop Spreader Spring (Obsolete)
91280	—	Tension Washer ... (Obsolete)
91294	1599	Driving Attachment Balance Wheel Friction Pulley Centre Bearing for 91474 ...
91296	755	Driving Attachment Starting Lever for 91299 ...
91297	755	Driving Attachment Starting Lever Bracket for 91299 ...
91298	—	Driving Attachment Starting Lever Bracket Hinge Pin for 91299 ...
91299	755	Driving Attachment Starting Lever, Nos. 91296 to 91298, and three wood screws 1 1/4" No. 15, for 91460 ...
91301	1599	Driving Attachment Lever with 7958 and 91306 for 91309 ...
91302	1599	Driving Attachment Lever Bracket for 91309 ...
91303	1599	Driving Attachment Lever Centre Plug (wood) for 91309 ...
91306	—	Driving Attachment Lever Friction Pad (leather) for 91301 ...
91307	1599	Driving Attachment Lever Spring for 91309 ...
91309	—	Driving Attachment Lever, complete, Nos. 161(804), 427(803), 693(804), 1508(805), 91301 to 91303, 91307, 113028(803), and two 109039(803), for 91478 ...
91317	867	Crank Connecting Rod with 91005, 94872 and two 109779(805) ... (Obsolete)
91334	—	Feed Lifting Rock Shaft 91014 with 91335 ...
91335	870	Feed Lifting Rock Shaft Crank with 1809 and two 157(803) for 91334 ...
91336	—	Feed Rock Shaft 91018 with 91337, for 45K1 and 45K5 Machines ...
91337	870	Feed Rock Shaft Crank with two 157(803), for 91336 and 91338 ...
91338	—	Feed Rock Shaft 91073 with 91337, for 45K11 Machine ...
91403	867	Thread Take-up Cam with 109320(803) and 1065(803) (Obsolete)
91408	867	Arm Shaft ... (Obsolete)
91439	853	Oscillating Rock Shaft with 91025, 94972 and two 91026 ... (Obsolete)

NUMERICAL LIST OF PARTS

Part No.	Plate	Description
91446	838	Bobbin Winder Spindle with 15072 for 91447 ...
91447	838	Bobbin Winder Frame, complete, Nos. 333(813), 5960, 5961, 5963, 82528 and 91446 for 91448 and 91477 ...
91448	---	Bobbin Winder (Friction), complete, Nos. 32(804), 161(804), 82527, 82537, 82538 and 91447 (for Fast Wheel Machines) ...
91453	755	Foot Lifter Foot Lever Pitman Connecting Hook (7" long) for 91456 ...
91454	---	Foot Lifter Foot Lever only, complete, Nos. 17881, 91457 to 91459, 98626, and two wood screws 1" No. 12 for 91455 ...
91455	---	Foot Lifter Foot Lever, complete, Nos. 17880 and 91454 for 91456 ...
91456	---	Foot Lifter, complete, Nos. 694(804), 91453, 91455 and 91716 ...
91457	755	Foot Lifter Foot Lever with 176(803) for 91454 ...
91458	755	Foot Lifter Foot Lever Extension for 91454 ...
91459	755	Foot Lifter Foot Lever Bracket for 91454 ...
91460	---	Driving Attachment Starting Lever and Pitman, complete, Nos. 17880 and 91299 for 91478 ...
91473	1599	Driving Attachment Balance Wheel with 431(803), 451(803), 91475 and four 402(805) for 91478 ...
91474	1599	Driving Attachment Balance Wheel Friction Pulley (two-speeds) with 448(803) and 91294 for 91478 ...
91475	1599	Driving Attachment Balance Wheel Friction Pulley Ring (cardboard) for 91473 ...
91476	838	Bobbin Winder Bracket for 91477 ...
91477	---	Bobbin Winder (Friction), complete, Nos. 32(804) 161(804), 82537, 82538, 91447 and 91476 (for Machines fitted with Driving Attachment) ...
91478	---	Driving Attachment, complete, Nos. 84275, 91309, 91460, 91473 and 91474 ...
91567	871	Presser Bar Lifting Bracket with 446(803) for 91569 ...
91568	871	Presser Bar Automatic Thread Controller ...
91569	---	Presser Bar Lifting Bracket 91567 with 82510 and two 190(806) ...
*91570	---	Arm with 446(803), 82499 and 82549 for 45K11 Machine ...
91597	853	Shuttle Driver ... (Obsolete)
91607	1064	Feed Dog (General Work, Cloth or Leather) for 45K1 and 45K5 Machines ...
91609	1064	Throat Plate (fine needle hole) for 91607 for 45K1 and 45K5 Machines...

NUMERICAL LIST OF PARTS

Part No.	Plate	Description
91610	1064	Throat Plate (coarse needle hole) for 91607 for 45K1 and 45K5 Machines ...
91615	1063	Arm Shaft ...
91617	1062	Thread Take-up Cam with 109320(803) and 109370(803) ...
91716	1063	Foot Lifter Arm Lever for 91456 ...
†91796	1063	Oil Box for 91797 ...
†91797	1063	Oil Box, complete, Nos. 219(806), 80106, 82459, 82460, 82463, 91796, 109042(806), 109050(806) and two 82462 ...
*94802	---	Crank Connecting Rod Cap for 98664 ...
94872	1698	Crank Connecting Rod Cap Oil Pad for 91317 and 98664 ...
94967	853	Feed Bar Retaining Spring ...
94972	1598	Oscillating Rock Shaft Steel Plate (top) for 91439, 98615 and 98628 ... (Obsolete)
94973	---	Shuttle Race 91049 with 91054 and two 401(806) for 91056 ...
95080	1260	Shuttle Cylinder ... (Obsolete)
95081	1260	Shuttle Cylinder Latch Spring ... (Obsolete)
95082	1260	Shuttle Frame ... (Obsolete)
95083	1260	Shuttle Tension Spring ...
95093	1467	Shuttle Bobbin for 95096 and 98622 ...
95094	1467	Shuttle Cylinder for 95096 and 98622 ...
95095	1467	Shuttle Tension Spring for 95096 and 98622 ...
95096	1467	Shuttle (Cylinder) 2½" diam., complete, Nos. 233(806), 91042, 91043, 95093 to 95095, 95186 and 109377(806) ... (Obsolete)
95186	1467	Shuttle Frame for 95096 ... (Obsolete)
95197	1487	Bobbin Winder Stop Latch for 95198 ...
95198	1488	Bobbin Winder, Nos. 35(804), 1620(809), 27302, 27303, 27540, 27541, 50356(802), 95197, 98673 and two wood screws 1" No. 7 R.H. for 95199 ...
95199	---	Bobbin Winder (Swinging Automatic, Right Hand), complete, Nos. 27308 and 95198 for 95093 ...

† For Two-Tone Machines the finish of these parts is Grey Metallic (Colour Code No. 728).

Part No.	Plate	Description
98607	1698	Shuttle Driver
98613	1698	Crank Connecting Rod Hinge Stud (Obsolete)
98614	1698	Crank Connecting Rod Hinge Stud Cotter Pin for 98640
98615	1698	Oscillating Rock Shaft with 91025, 94972 and two 91026 (Obsolete)
98619	1694	Shuttle Frame for 98622
98622	1694	Shuttle (Cylinder), 2½" diam., complete, Nos. 91042, 91043, 95093 to 95095, 98619, 109377(806) and 109574(804)
98626	755	Foot Lifter Foot Lever Spring for 91454
98627	1740	Crank Connecting Rod Hinge Stud for 98640
98628	1740	Oscillating Rock Shaft with 91025, 94972 and two 91026 (Obsolete)
98635	2000	Oscillating Shuttle Shaft Crank with 453(803), 1518(805) and 113262
98636	2000	Oscillating Rock Shaft Steel Plate (bottom) for 98638
98637	2000	Oscillating Rock Shaft Steel Plate (top) for 98638
98638	2000	Oscillating Rock Shaft with 98636, 98637, two each 1698(803) and 109537(805) for 98640
98640	---	Oscillating Rock Shaft, complete, Nos. 1668(803), 98614, 98627 and 98638
98642	870	Oscillating Rock Shaft Hinge Pin
98664	868	Crank Connecting Rod with 94802, 94872 and two 109779(805)
98673	1487	Bobbin Winder Spindle with 15072 for 95198

Part No.	Plate	Description
109022(806)	1601	Thread Take-up Lever Hinge Screw
109032(806)	1601	Shuttle Race Bearing Clamping Screw
109038(803)	1601	Driving Attachment Lever Bracket Screw for 91309
109039(803)	1601	Oscillating Shuttle Shaft Bushing Set Screw
109042(806)	1062	Oil Box Stud Screw Set Screw for 91797
109045(804)	1601	Crank Connecting Rod Hinge Screw Set Screw (Obsolete)
109045(804)	1601	Face Plate Screw (to attach to machine)
109046(806)	1601	Shuttle Tension Spring Adjusting Screw (Obsolete)
109050(803)	1601	Roller Arm Lock Spring Screw for 82435
109050(806)	1601	Thread Eyelet Screw for 91007
109050(806)	1601	Oil Box Oil Pad Screw for 91797
109056(804)	1601	Bobbin Winder Bracket Screw for 91448 and 91477
109065(806)	1601	Presser Foot Screw
109115(804)	1601	Feed Regulator Thumb Screw
109186(804)	1601	Presser Bar Lifter Hinge Screw
109310(804)	---	Binder Base Spring Regulator Thumb Screw for 85751
109313(803)	1601	Crank Connecting Rod Hinge Screw (Obsolete)
109316(804)	1602	Presser Bar Screw Bushing
109317(806)	1602	Tension Screw Stud for 82502
109320(803)	1602	Thread Take-up Cam Set Screw for 91403 and 91617
109329(803)	1602	Roller Arm Bracket Clamping Screw for 82435
109370(803)	1062	Thread Take-up Cam Timing Screw for 91617
109377(806)	1467	Shuttle Tension Spring Adjusting Screw for 95090 and 98622
109395(806)	1062	Oil Box Stud Screw
109531(803)	2000	Oscillating Rock Shaft Hinge Pin Set Screw Bearing
109537(805)	2000	Oscillating Rock Shaft Steel Plate Binding Screw for 98638
109568(804)	1602	Shuttle Guard Thumb Screw for 91056
109574(804)	1602	Shuttle Cylinder Latch Spring Screw for 98622
109576(803)	---	Feed Lifting Rock Shaft Screw Centre
109576(803)	---	Feed Rock Shaft Screw Centre
109779(805)	---	Crank Connecting Rod Cap Screw for 91004, 91269, 91317 and 98664
109779(805)	---	Needle Bar Connection Clamping Screw for 91022
109779(806)	---	Shuttle Race Slide (back) Screw for 45K11 Machine
109779(806)	---	Throat Plate Screw for 45K11 Machine

NUMERICAL LIST OF PARTS

Part No.	Plate	Description
113008(805)	1603	Shuttle Race Bearing Clamping Screw Nut ...
113028(803)	1603	Driving Attachment Lever Hinge Screw Nut for 91309
113224	1603	Thread Take-up Lever Roller and Screw Stud for 82453
113225	868	Roller ($1\frac{1}{2}$ " diam. \times $\frac{5}{16}$ " face) with 378(803) and 1520(813) for 82435

NUMERICAL LIST OF PARTS

Part No.	Plate	Description
----------	-------	-------------

NUMERICAL LIST OF PARTS

77

Part No.	Plate	Description
120342	1600	Oilcr... (Accessories)

161295	—	Screw Driver (small) ... (Accessories)
--------	---	--