

SIRUBA

GAGE PARTS LIST

700DFT

Series

Remark

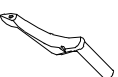
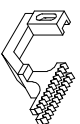
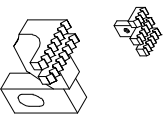
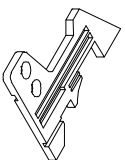
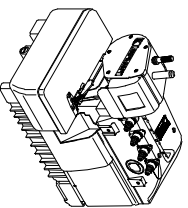
Page

Date

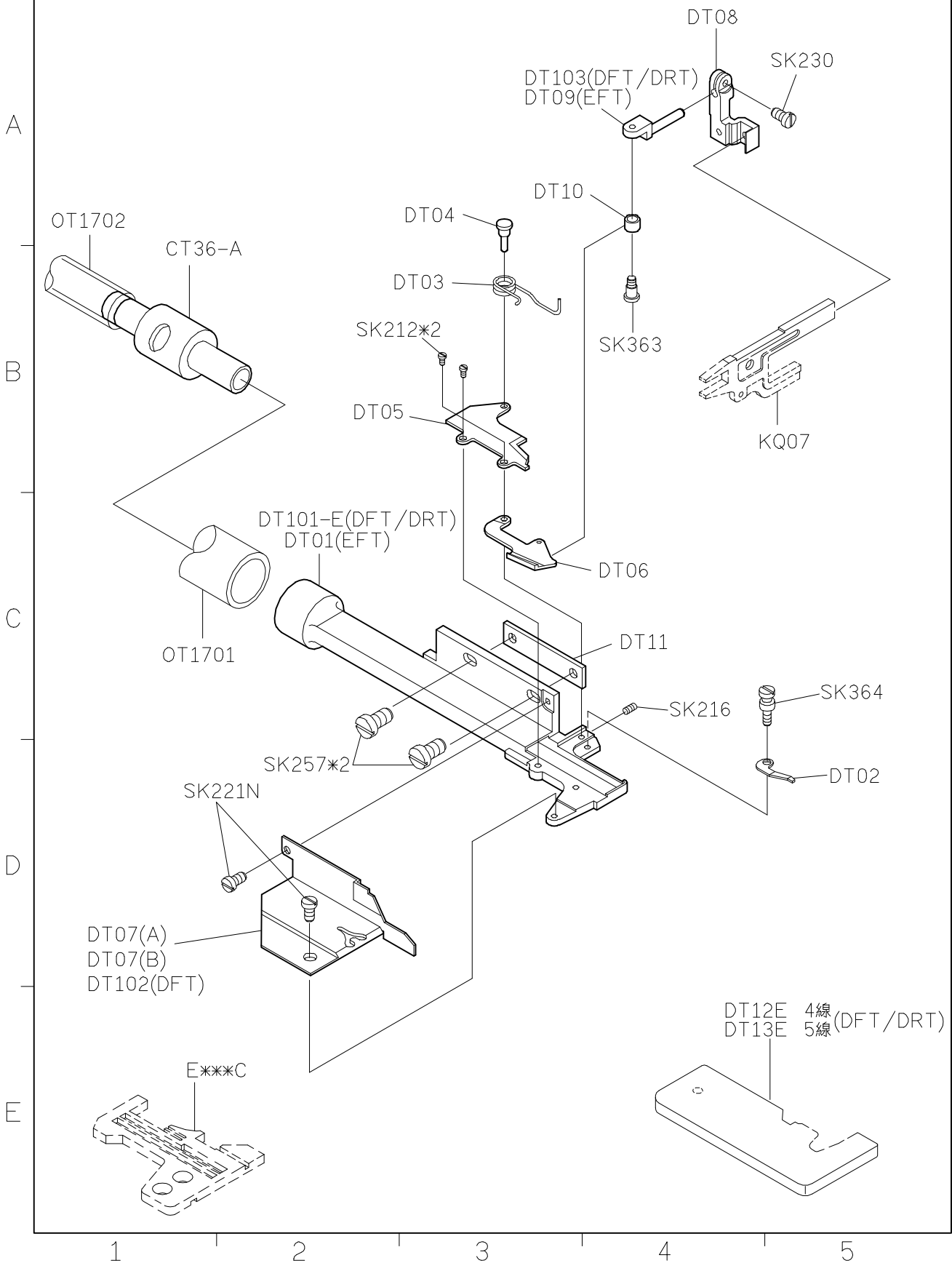
1 / 1

2012/08/23

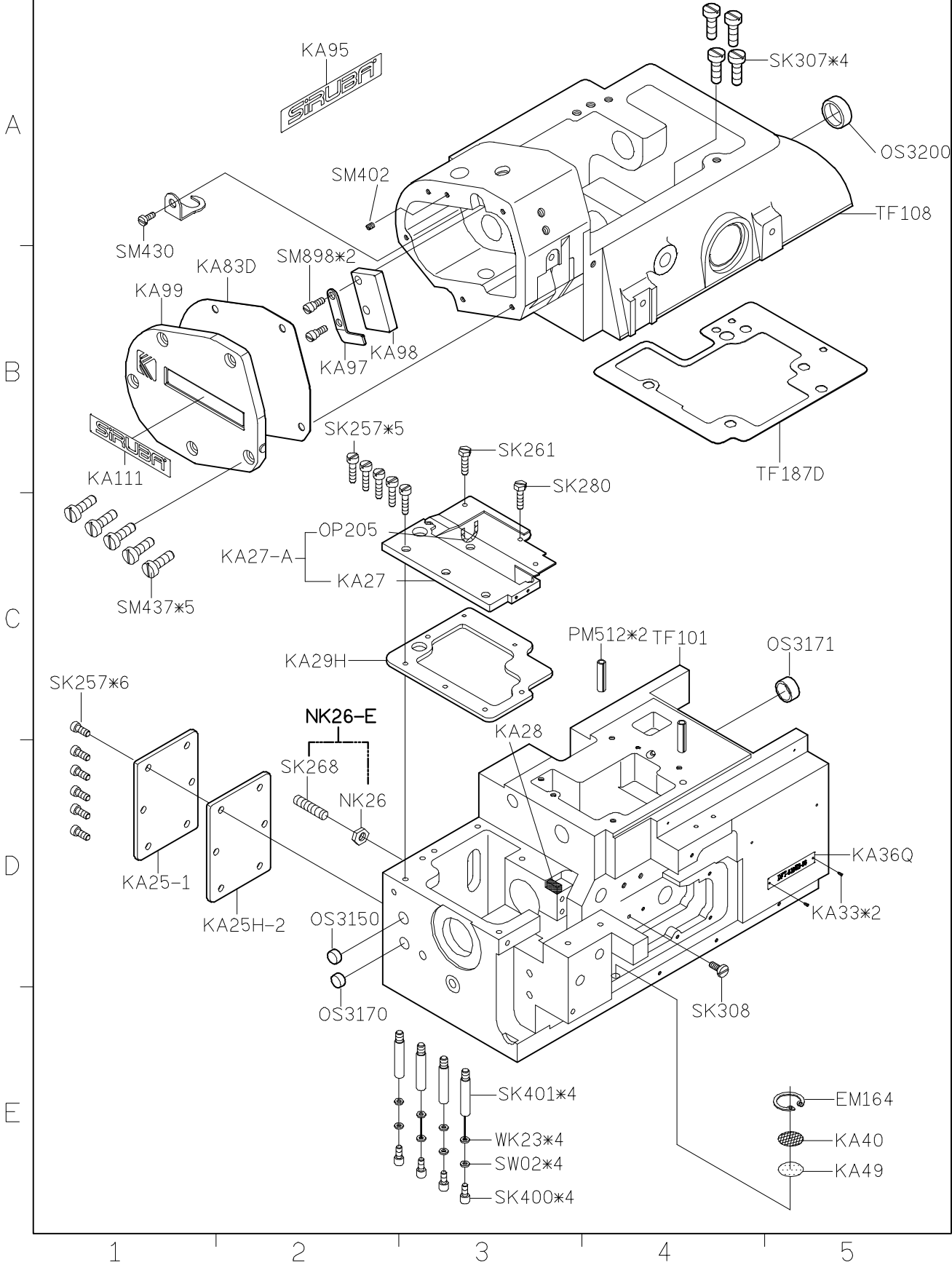
機 型 MODEL	針板 NEEDLE PLATE	送 具 FEED DOG	送 具 FEED DOG	送 具 FEED DOG	押 具 PRESSER FOOT	勾 針 LOOPER	針 留 NEEDLE CLAMP	束 子 COLLER	衝 程 CRANK	衝 程 CRANK	針 號 NEEDLE	
747DFT	514H4-24/GB	E919	D440 D095	H445	D453	P454-A	LP38	KG142-E	KJ13F	TF157-A	KJ11B	DCX27#9*2
	514H4-24/GB/P	E919	D440 D095	H445	D453	P454P-A	LP38	KG142-E	KJ13F	TF157-A	KJ11B	DCX27#9*2
	514M2-24	E919	D440 D095	H445	D453	P454-A	LP38	KG142-E	KJ13F	TF157-A	KJ11B	DCX27#9*2
	514M2-24/DT	E919C	D440 D095	H445	D453	P454-A	LP38	KG142-E	KJ13F	TF157-A	KJ11B	DCX27#9*2
757DFT	516H4-35/GB	E861	D489 D502	H497	D469	P466-A	LP38	KG153-E	KJ13F	TF157-A	KJ11B	DCX27#14*2
	516H4-35/GB/P	E861	D489 D502	H497	D469	P466P-A	LP38	KG153-E	KJ13F	TF157-A	KJ11B	DCX27#14*2
	516H4-56/GB	E866	D489 D502	H500	D469	P463-A	LP38	KG155-E	KJ13F	TF157-A	KJ11B	DCX27#14*2
	516H4-56/GB/P	E866	D489 D502	H500	D469	P463P-A	LP38	KG155-E	KJ13F	TF157-A	KJ11B	DCX27#14*2
747DRT	514M2-24	E919	D440 D095	H445	D070	P068-4	LP38	KG142-E	KJ13F	TF157-A	KJ11B	DCX27#9*2
	514M2-24/DT	E919C	D440 D095	H445	D070	P068-4	LP38	KG142-E	KJ13F	TF157-A	KJ11B	DCX27#9*2
	516M2-56	E129	D066 D067	H500	D064	P056-A	LP38	KG155-E	KJ13F	TF157-A	KJ11B	DCX27#14*2
	516M2-56/DT	E129C	D066 D067	H500	D064	P056-A	LP38	KG155-E	KJ13F	TF157-A	KJ11B	DCX27#14*2
757DRT	516M2-35	E169	D066 D067	H497	D064	P053-A	LP38	KG153-E	KJ13F	TF157-A	KJ11B	DCX27#14*2
	516M2-35/DT	E169C	D066 D067	H497	D064	P053-A	LP38	KG153-E	KJ13F	TF157-A	KJ11B	DCX27#14*2



SIRUBA PARTS LIST	Series	Parts Group	Subclass Remark	Page
	700DFT	DT		1/1
				Date
				2012/08/21

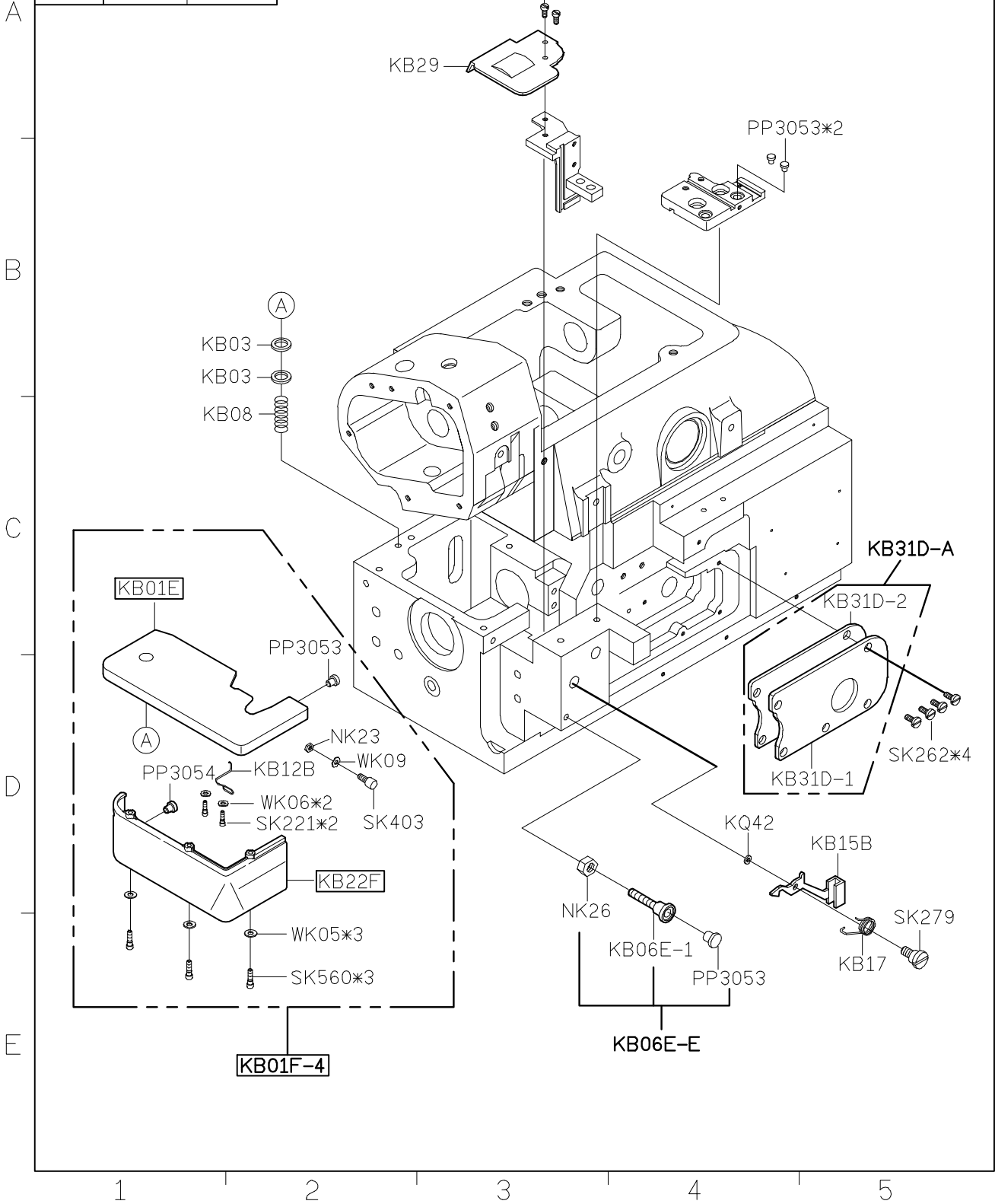


SIRUBA PARTS LIST	Series	Parts Group	Subclass Remark	Page
	700DFT	KA		1/1
				Date
				2012/08/20



SIRUBA PARTS LIST	Series		Parts Group	Subclass Remark	Page
	700DFT		KB		1/1
					Date
					2012/08/20

MODEL	四線車	五線車
PARTS NO	KB01E	KB02E
	KB22F	KB23F
	KB01F-4	KB02F-5



SIRUBA

PARTS LIST

Series

700DFT

Parts Group

KC

Subclass Remark

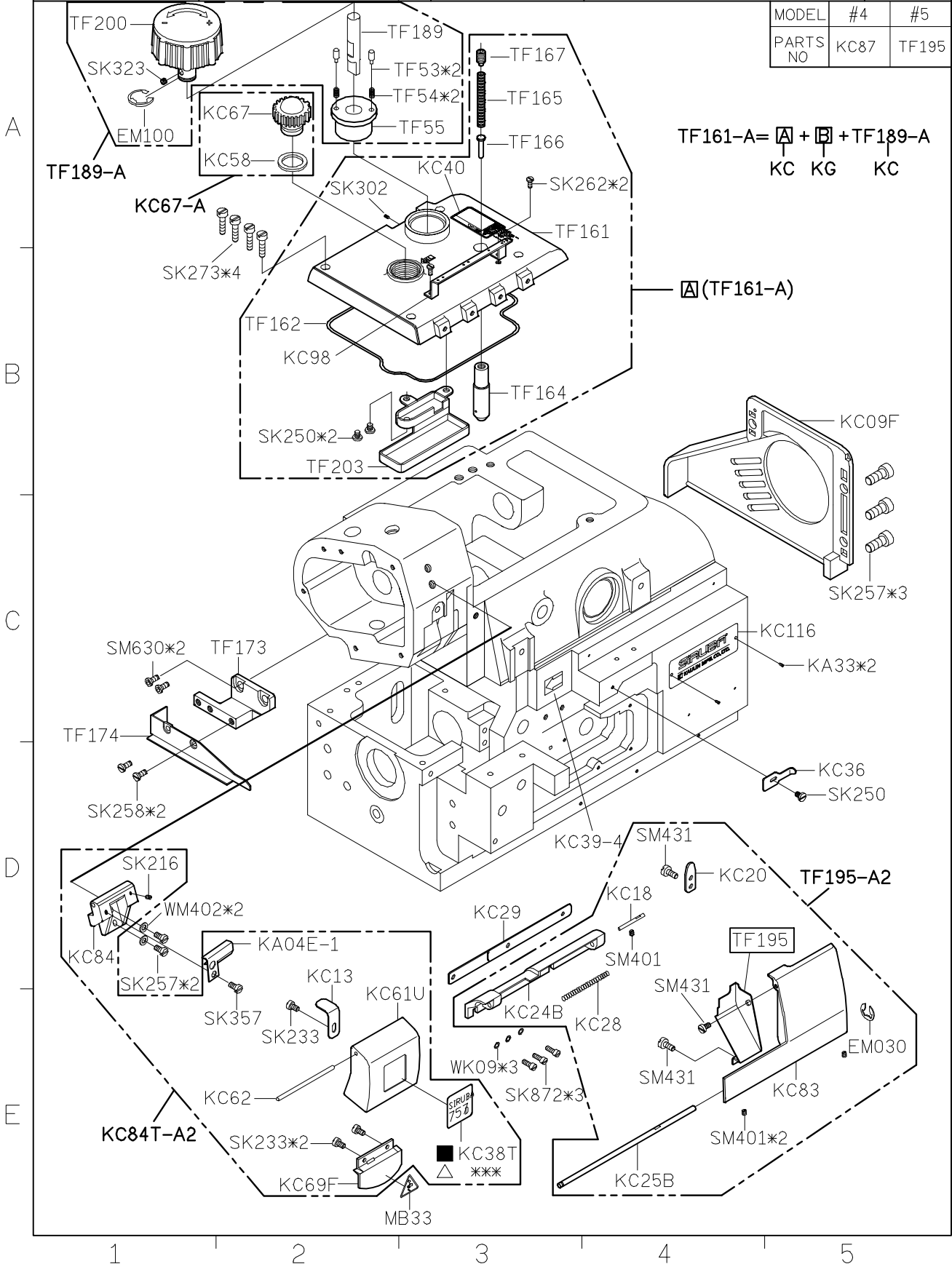
Page

1/1

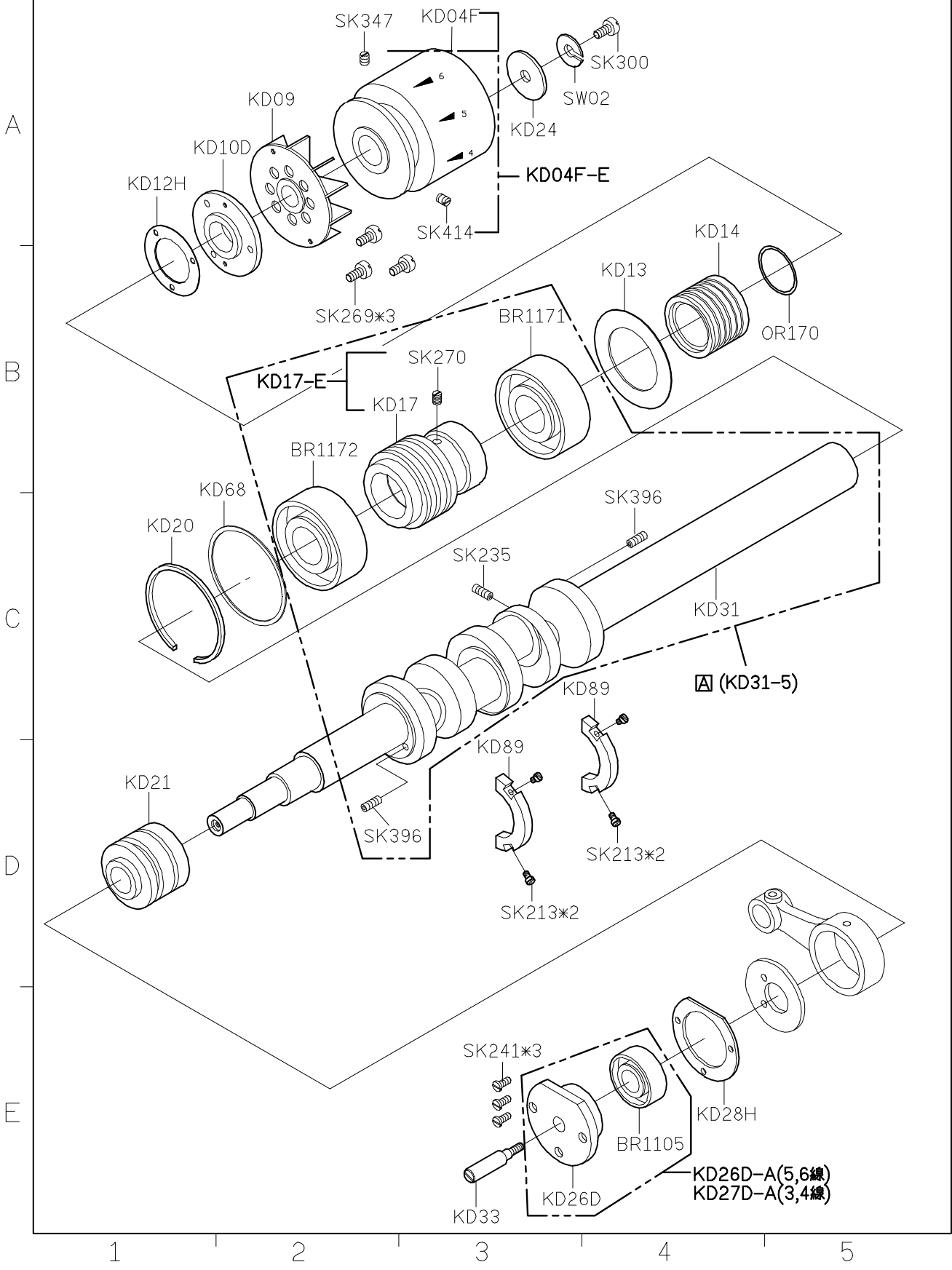
Date

2012/08/20

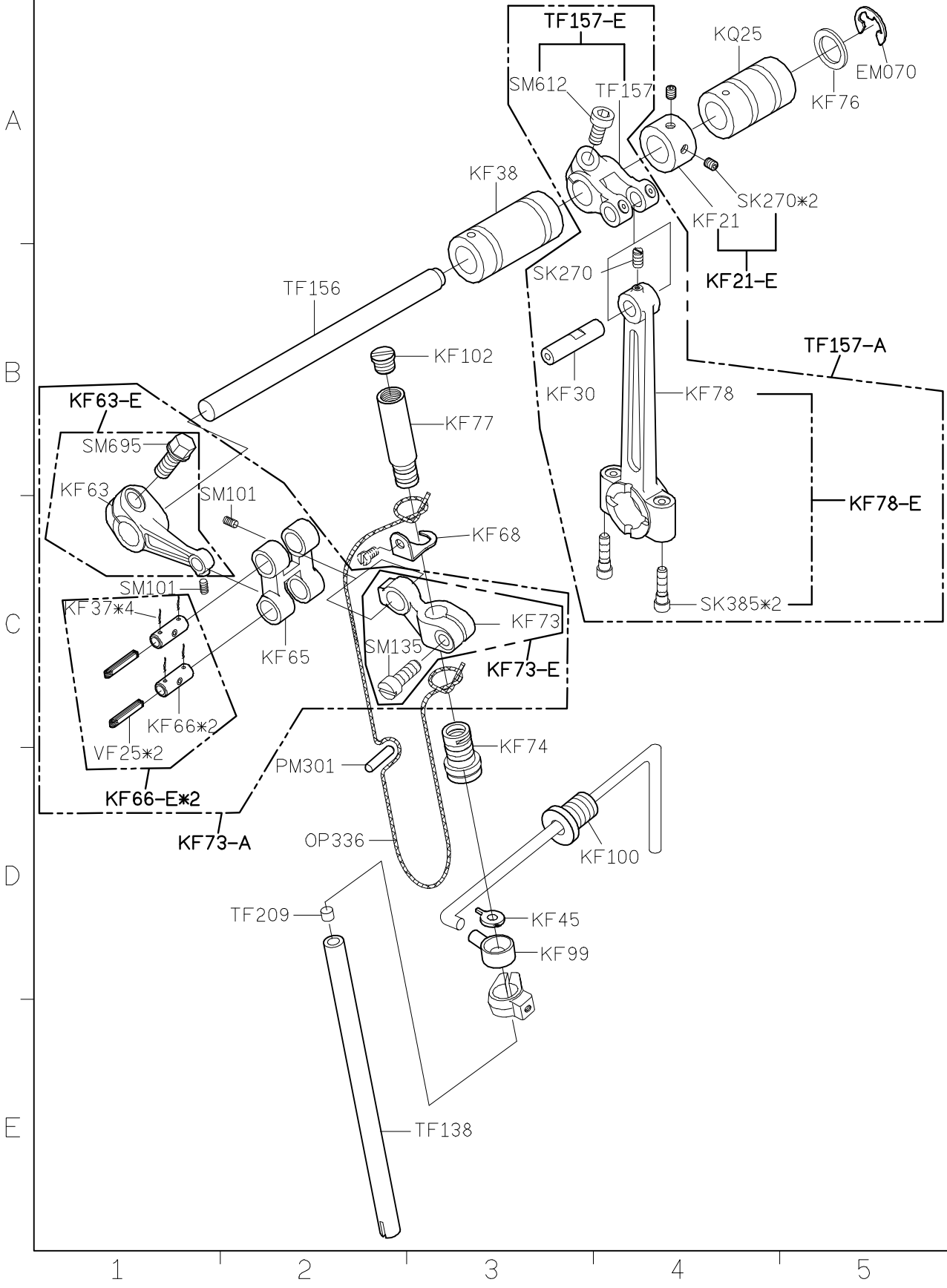
MODEL	#4	#5
PARTS NO	KC87	TF195



SIRUBA PARTS LIST	Series	Parts Group	Subclass Remark	Page
	700DFT	KD		1/1
				Date
				2012/08/20



SIRUBA PARTS LIST	Series	Parts Group	Subclass Remark	Page
	700DFT	KF		1/1
				Date
				2012/08/20



SIRUBA PARTS LIST	Series		Parts Group	Subclass Remark	Page
	700DFT		KG		1/1
					Date
					2012/08/20

MODEL	#4	#5
PARTS NO	TF205	KG51
	TF160	KG64
	TF163	KG65
	TF206	KG34
	KG52-4	KG52-5

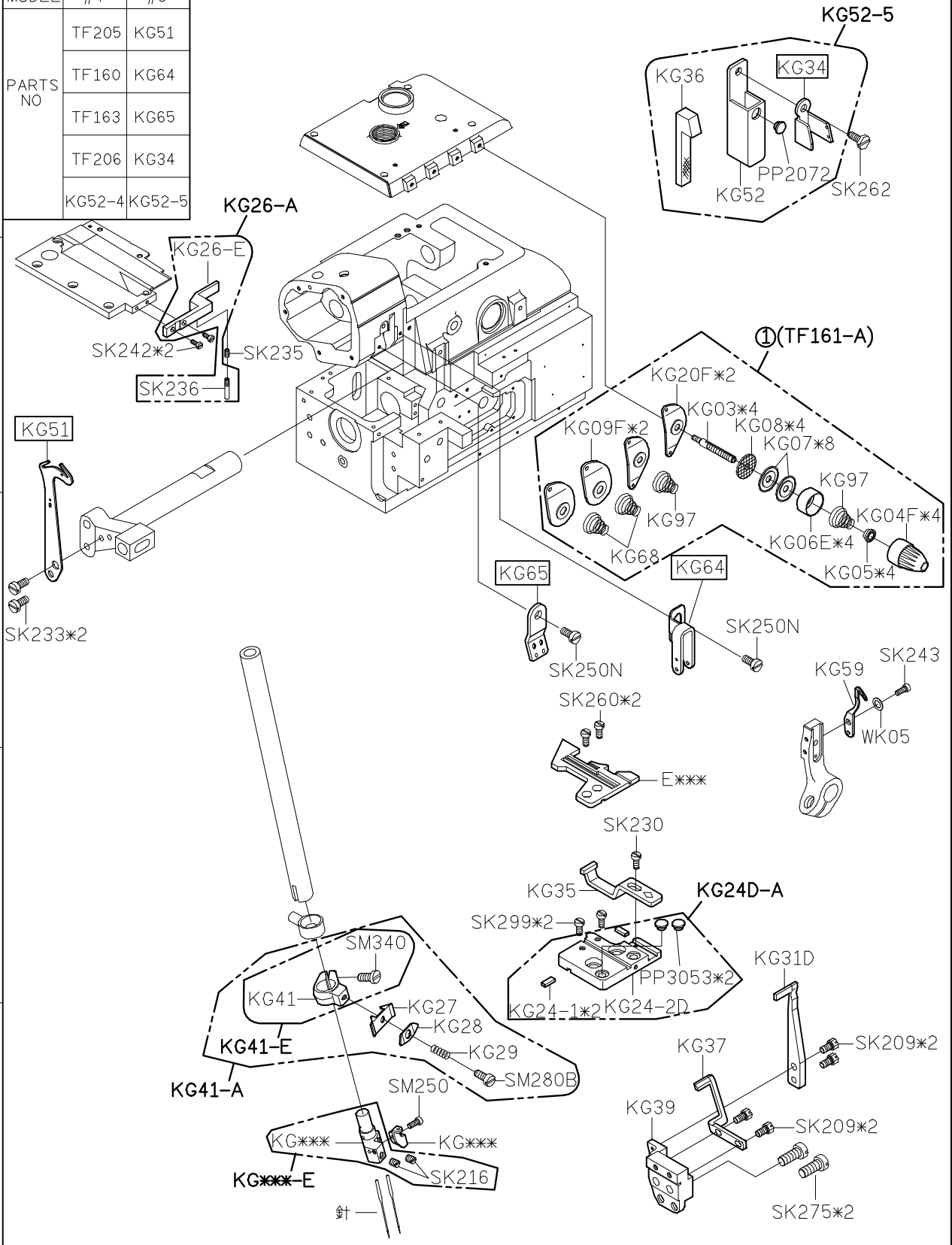
A

B

C

D

E



1

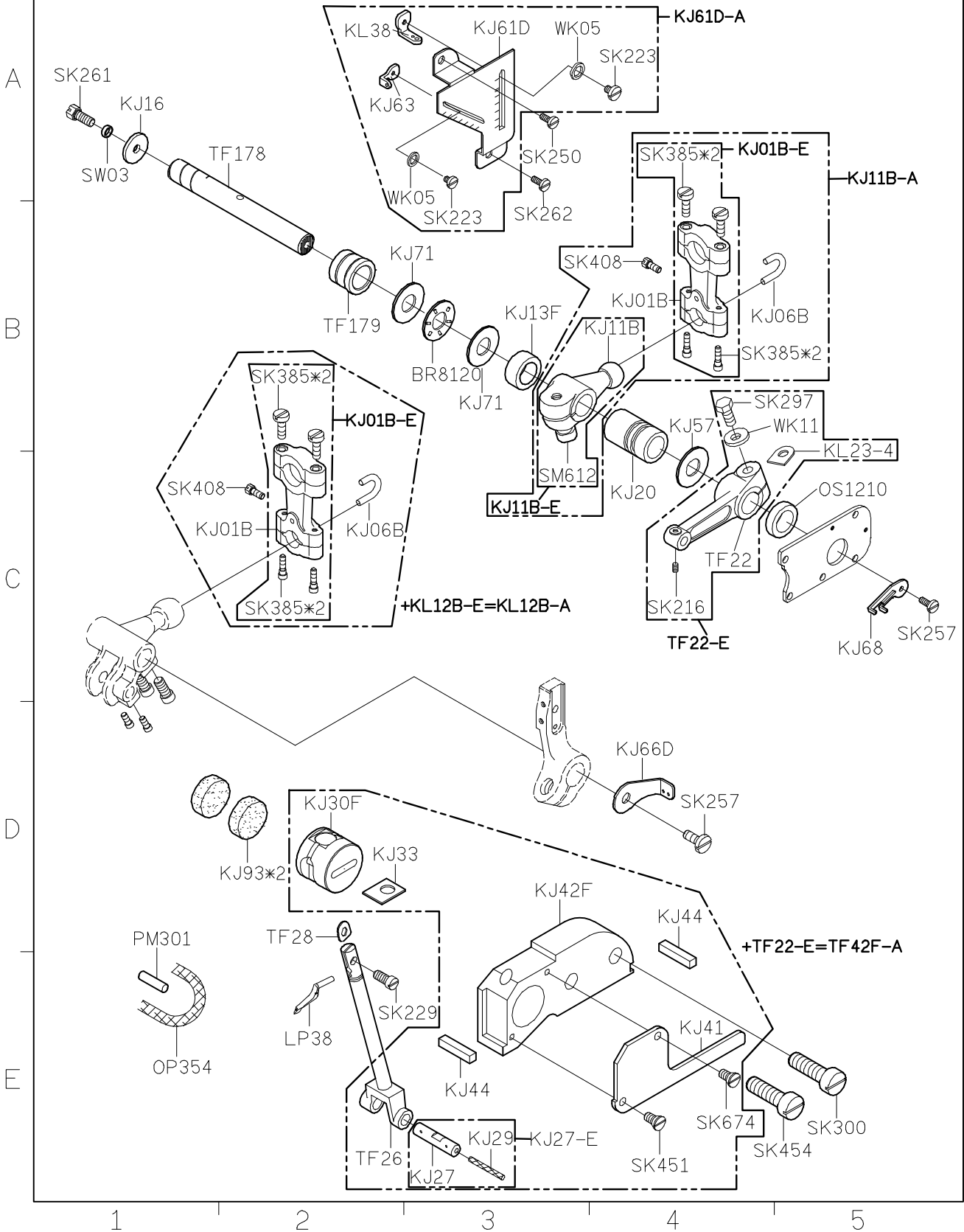
2

3

4

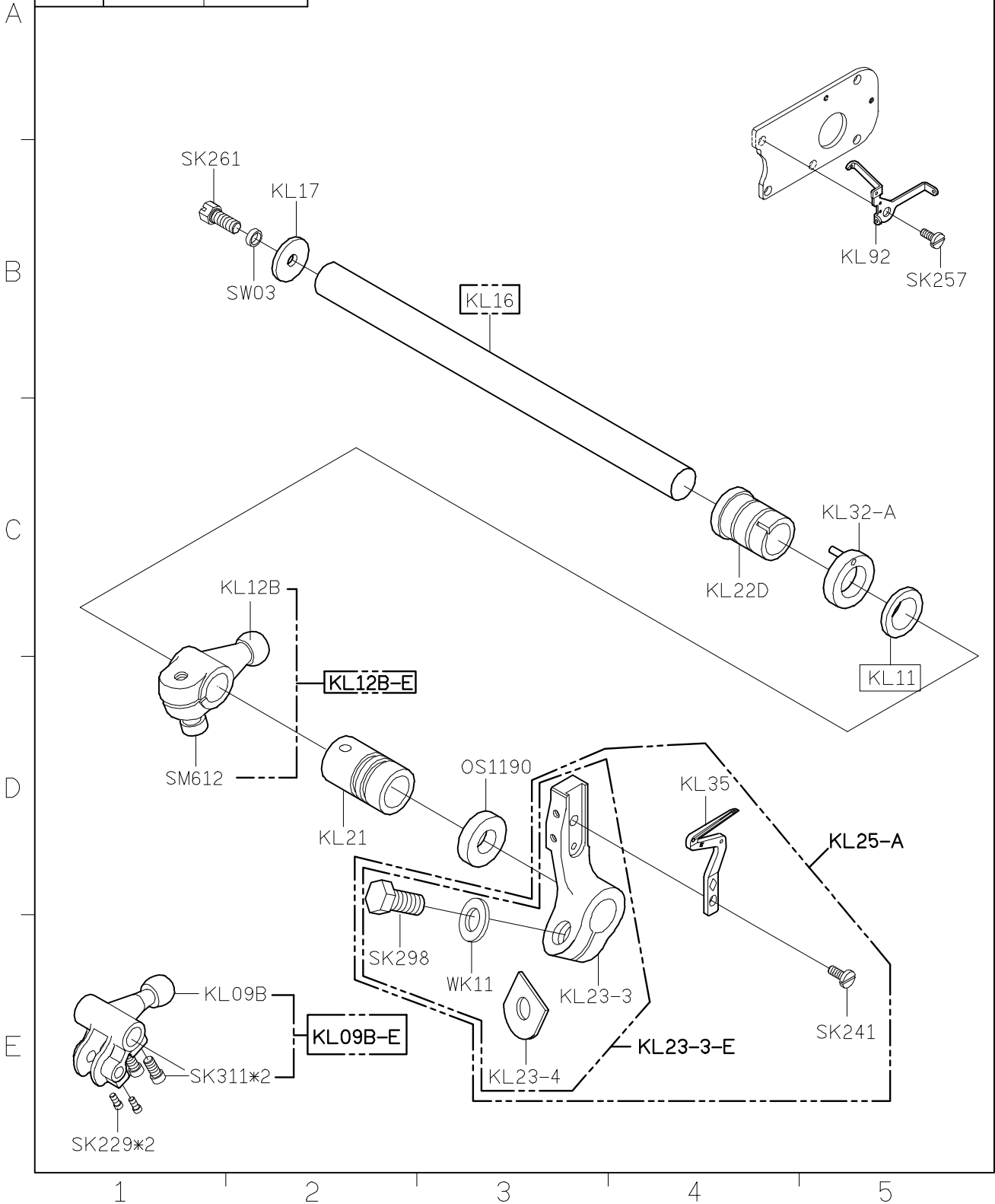
5

SIRUBA PARTS LIST	Series	Parts Group	Subclass Remark	Page
	700DFT	KJ		1/1
				Date
				2012/08/20

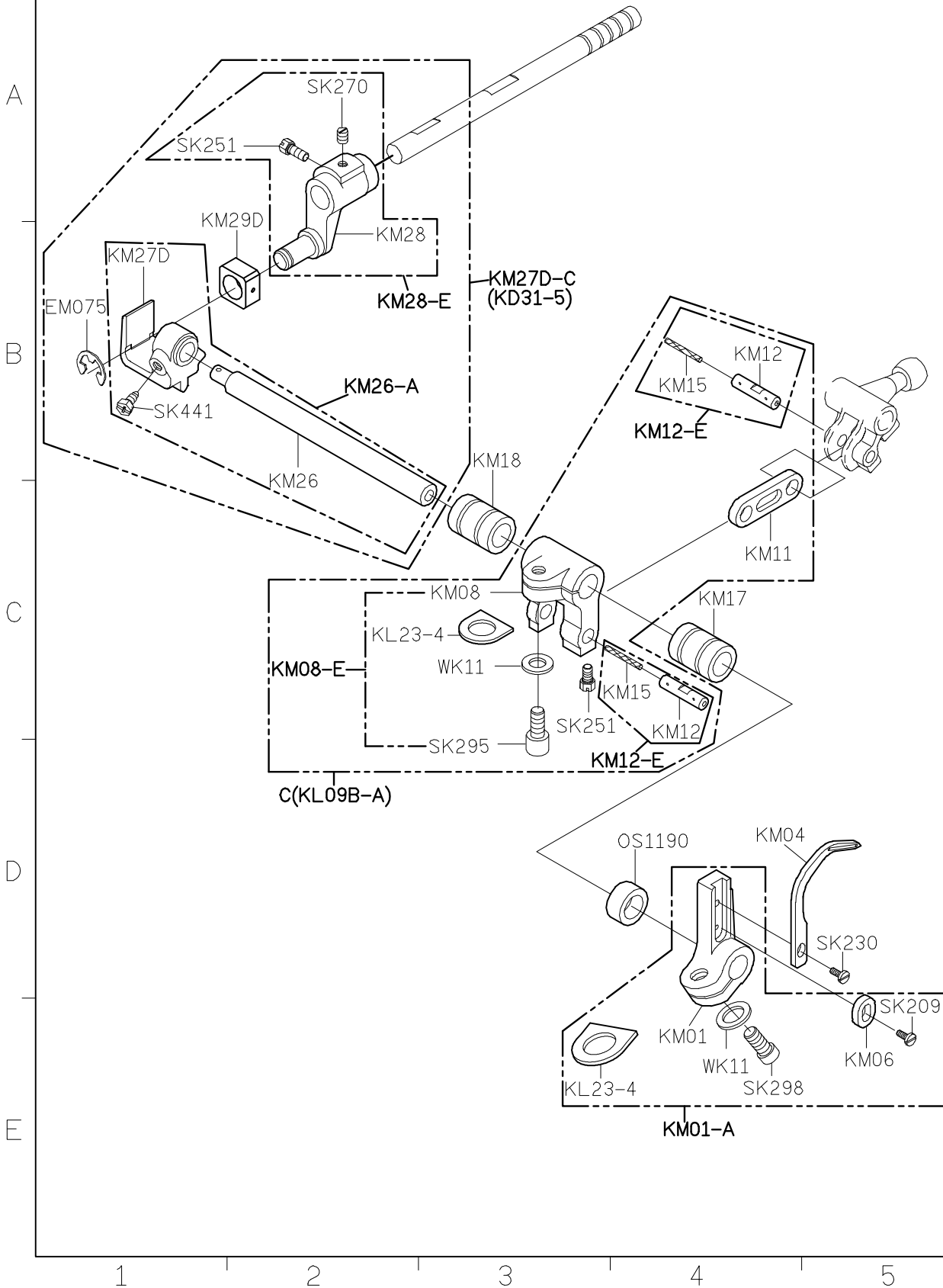


SIRUBA PARTS LIST	Series		Parts Group	Subclass Remark	Page
	700DFT		KL		1/1
					Date
					2012/08/20

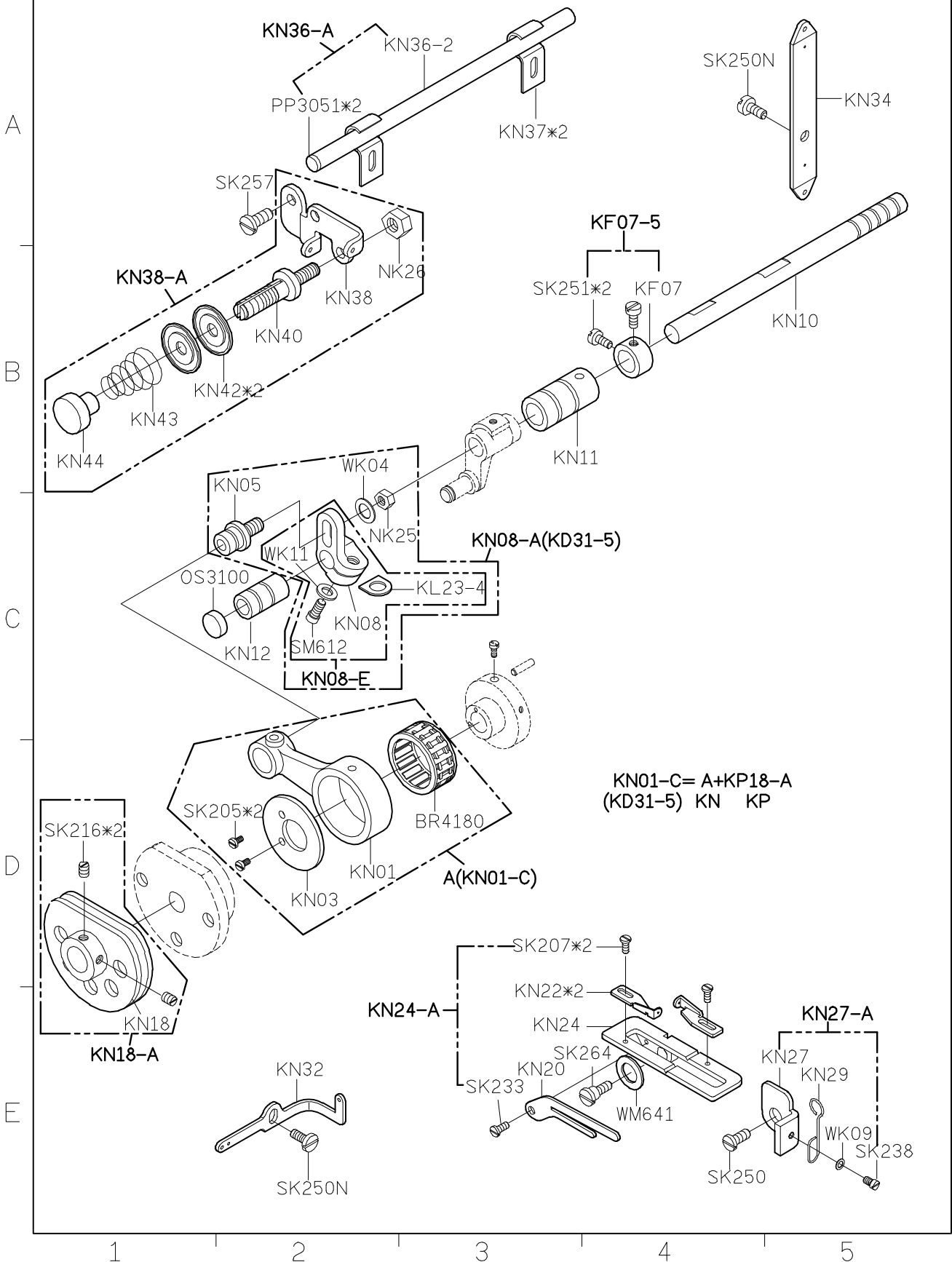
MODEL	#4	#5
PARTS NO	KL57	KL16
	KL15	KL11
	KL12B-E	KL09B-E



SIRUBA PARTS LIST	Series	Parts Group	Subclass Remark	Page
	700DFT	KM		1/1
				Date
				2012/08/20

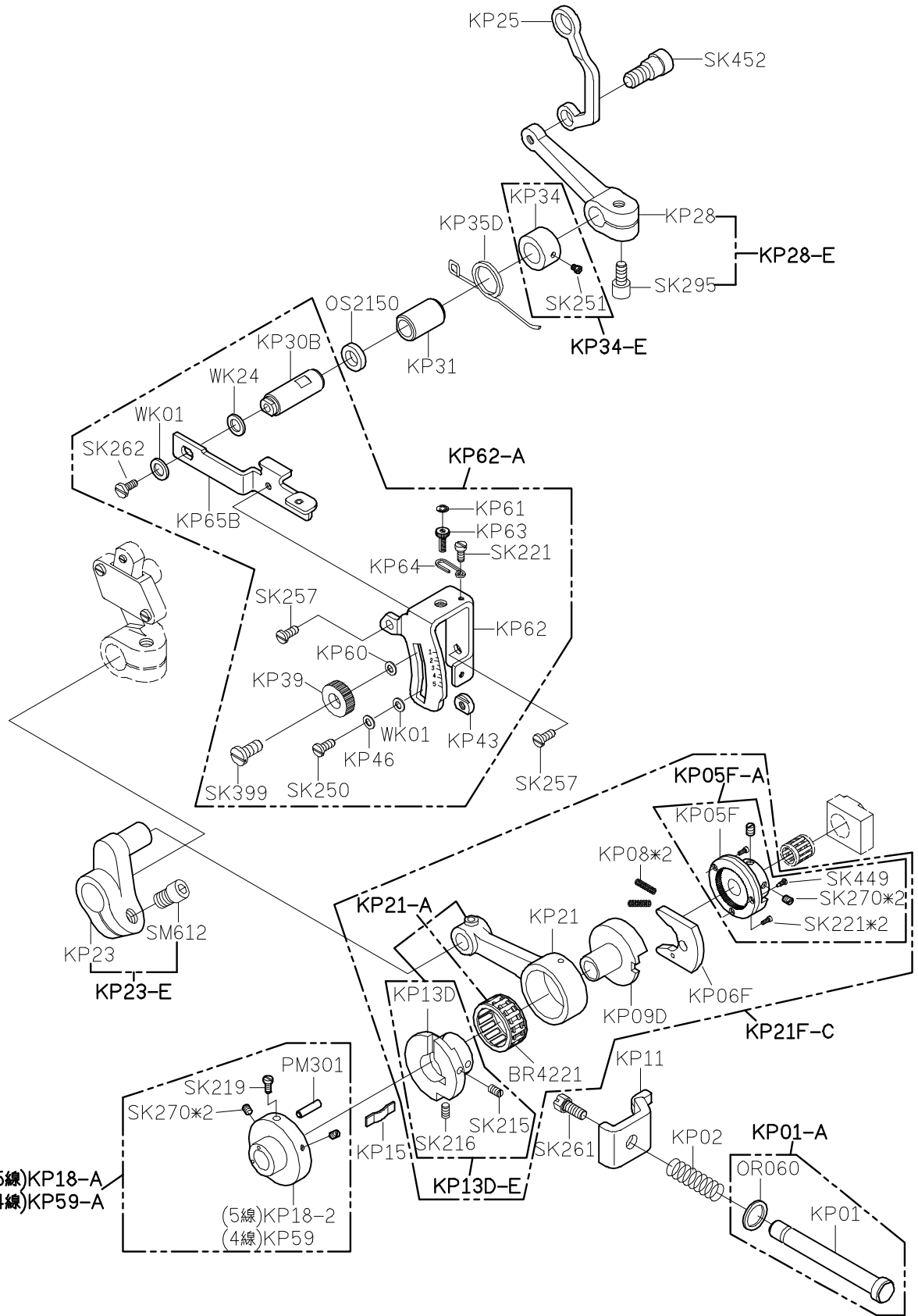


SIRUBA PARTS LIST	Series	Parts Group	Subclass Remark	Page
	700DFT	KN		1/1
				Date
				2012/03/20



SIRUBA PARTS LIST	Series	Parts Group	Subclass Remark	Page
	700DFT	KP		1/1
				Date
				2012/08/20

A
B
C
D
E



1 2 3 4 5

SIRUBA
PARTS LIST

Series
700DFT

Parts Group
KQ

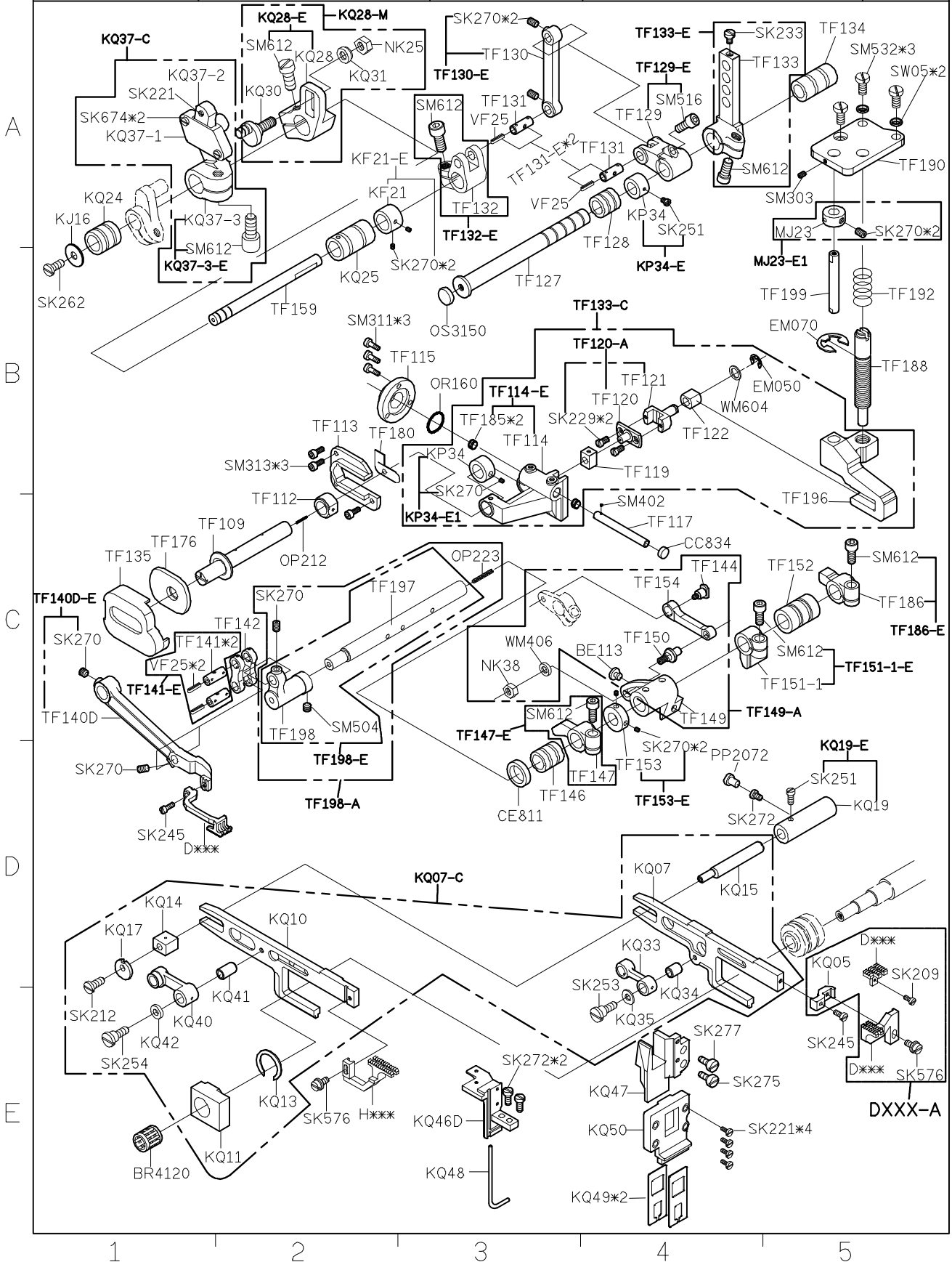
Subclass Remark

Page

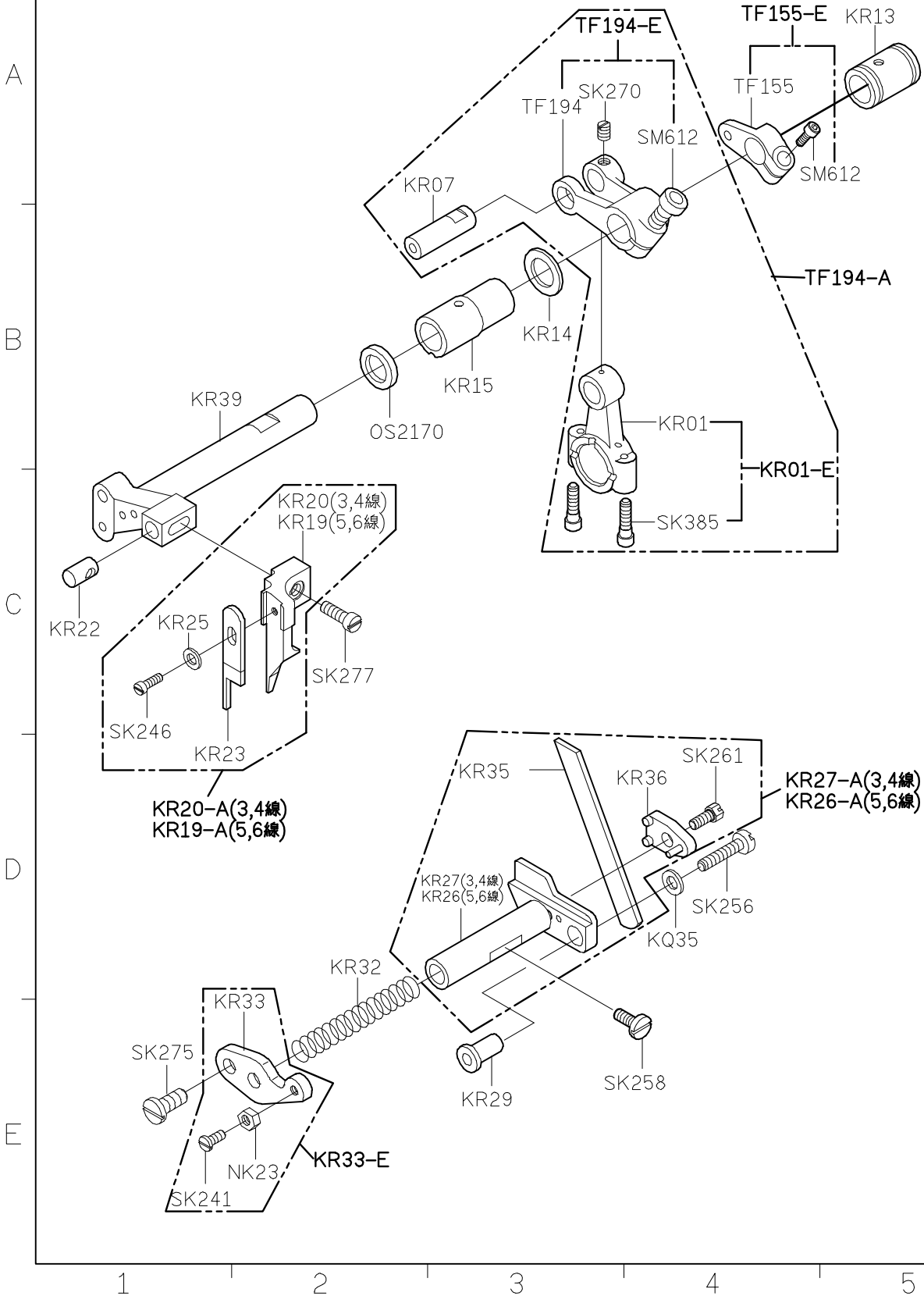
1/1

Date

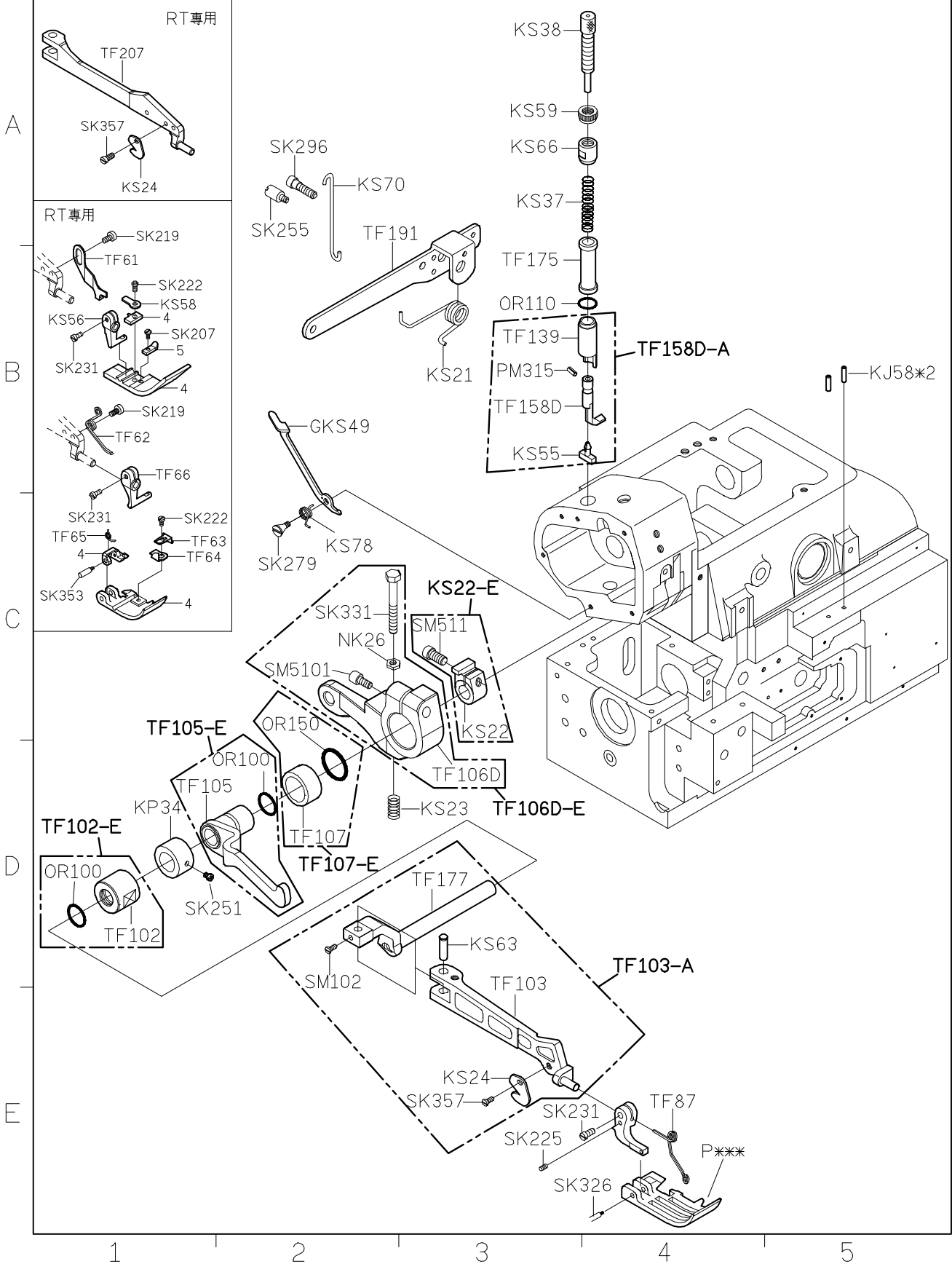
2012/08/20



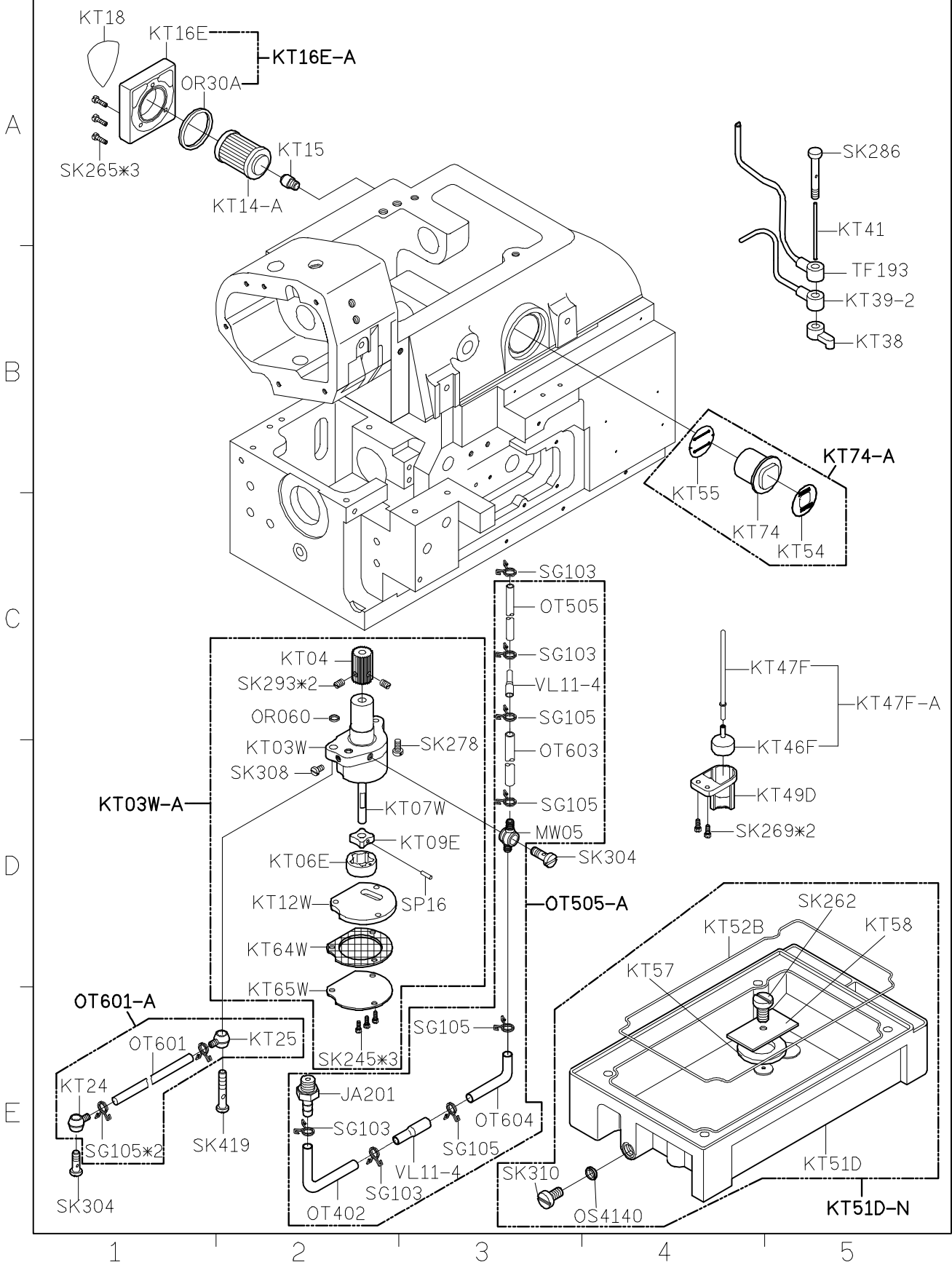
SIRUBA PARTS LIST	Series	Parts Group	Subclass Remark	Page
	700DFT	KR		1/1
				Date
				2012/09/20



SIRUBA PARTS LIST	Series	Parts Group	Subclass Remark	Page
	700DFT	KS		1/1
				Date
				2012/08/20



SIRUBA PARTS LIST	Series	Parts Group	Subclass Remark	Page
	700DFT	KT		1/1
				Date
				2012/09/20



SIRUBA PARTS LIST	Series	Parts Group	Subclass Remark	Page
	700DFT	KU		1/1
				Date
				2012/08/20

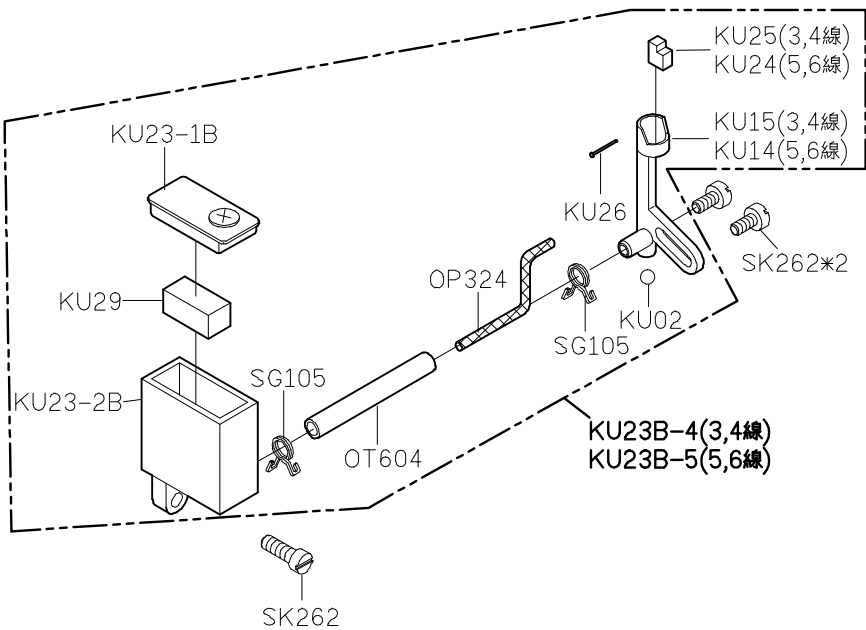
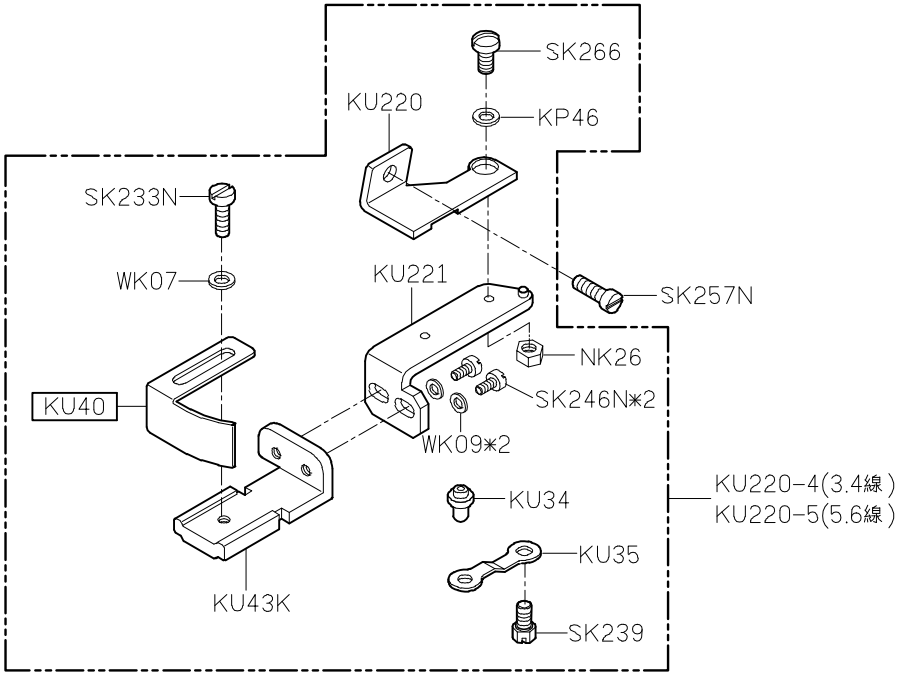
A

B

C

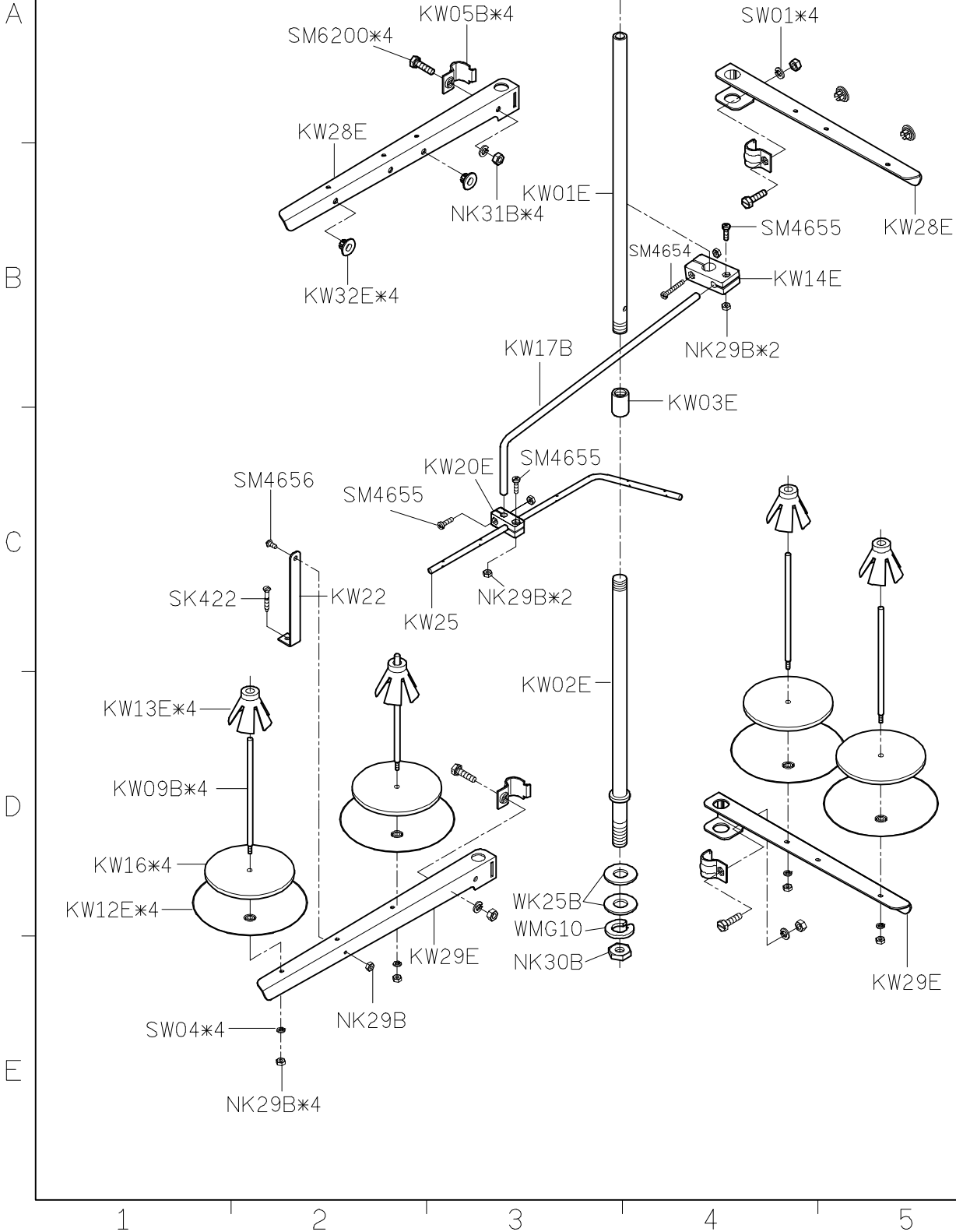
D

E



SIRUBA PARTS LIST	Series	Parts Group	Subclass Remark	Page
	700DFT	KW		1/2
				Date
				2012/08/20

KW40E-4



SIRUBA PARTS LIST	Series	Parts Group	Subclass Remark	Page
	700DFT	KW		2/2
				Date
				2012/08/20

KW40E-5

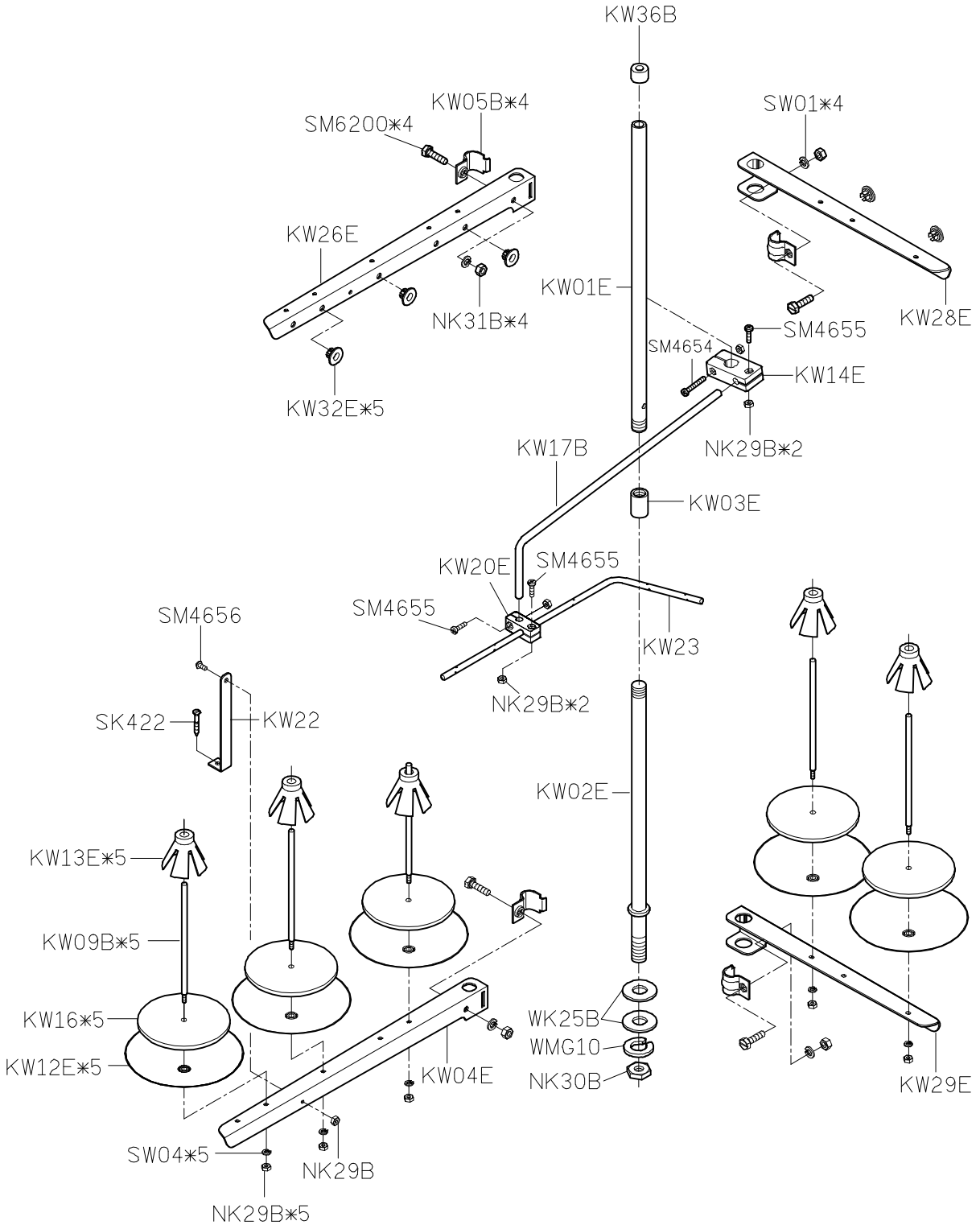
A

B

C

D

E



1

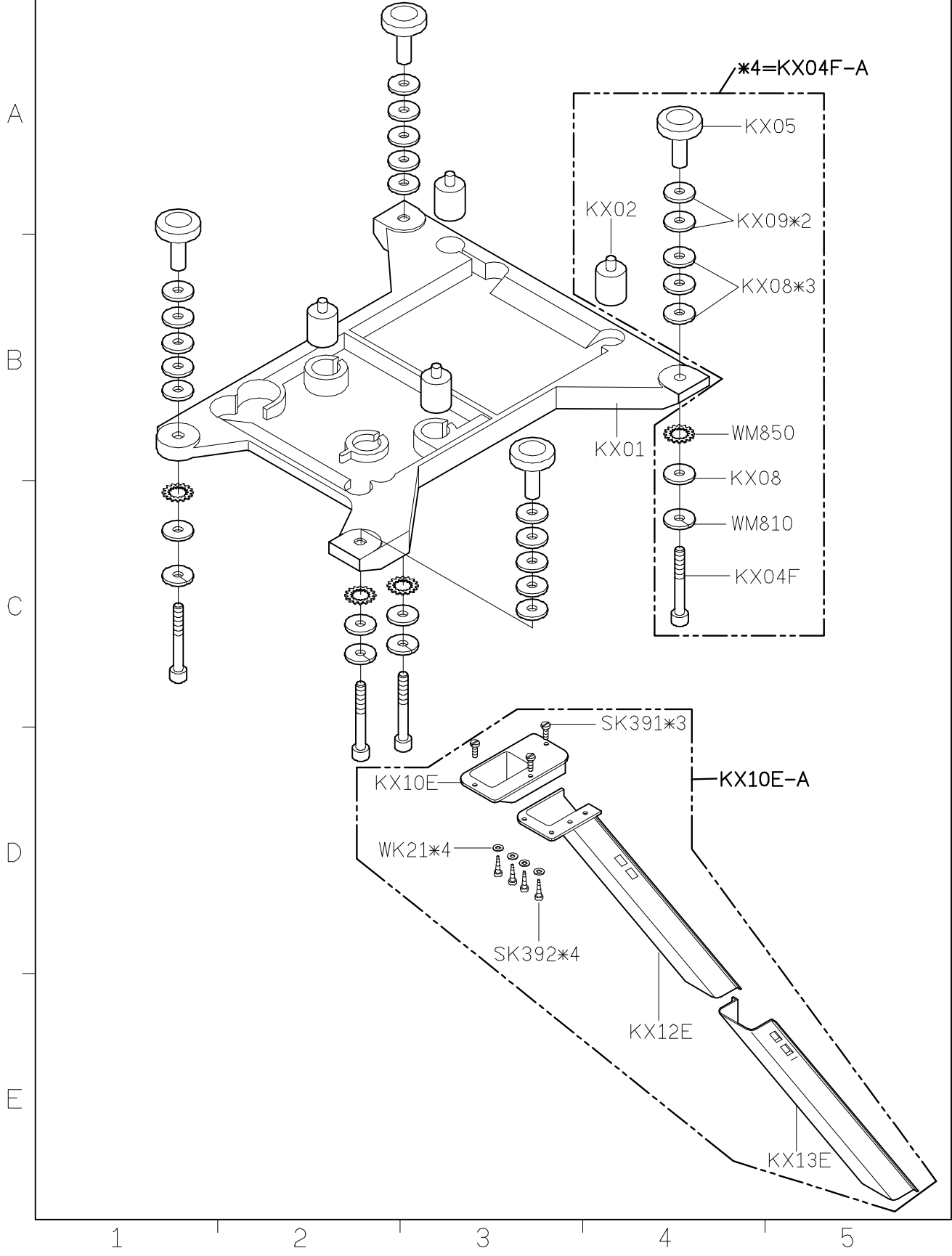
2

3

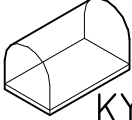
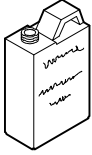



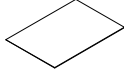
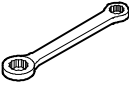
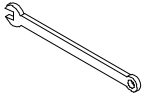



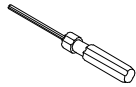
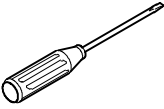
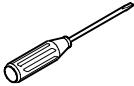

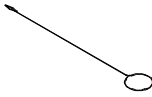
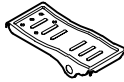


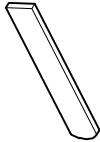



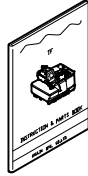


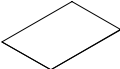
4

5

SIRUBA PARTS LIST	Series	Parts Group	Subclass Remark	Page
	700DFT	KX		1/1
				Date
				2012/08/20



SIRUBA SEQUENCE LIST	Series	Parts Group	Subclass Remark	Page
	700DFT	KY		1/1
				Date
				2012/08/20

KY01 防塵罩	KY02-A 油罐	KY03 油壺	KY04 漏斗	KY05 油壺	KY30 針板紙
					
KY23-A		KY10-A			
KY23 內六角板手	KY09 開口板手	KY10 六角板手	KY11 六角板手	KY12 六角板手	KY14 內六角螺絲起子
					
KY16-A					
KY16 一字起子	KY17 一字起子	KY18 鑷子	KY19 穿線器	KY20D 腳踏板	KY21-A/MY21 鉤子/鍊條
					
KY201 工具袋	KR35 下刀片	KT14-A 瀘油器	KZ03 乾燥劑	針*5 針	KZ08DFT/ KZ08DFT-1 使用說明書
					
SK216 螺絲	MY11 六角板手	KY30 針板紙			
					

SIRUBA PARTS LIST	Series	Parts Group	Subclass Remark	Page
	700DFT	KZ		1/1
				Date
				2012/08/20

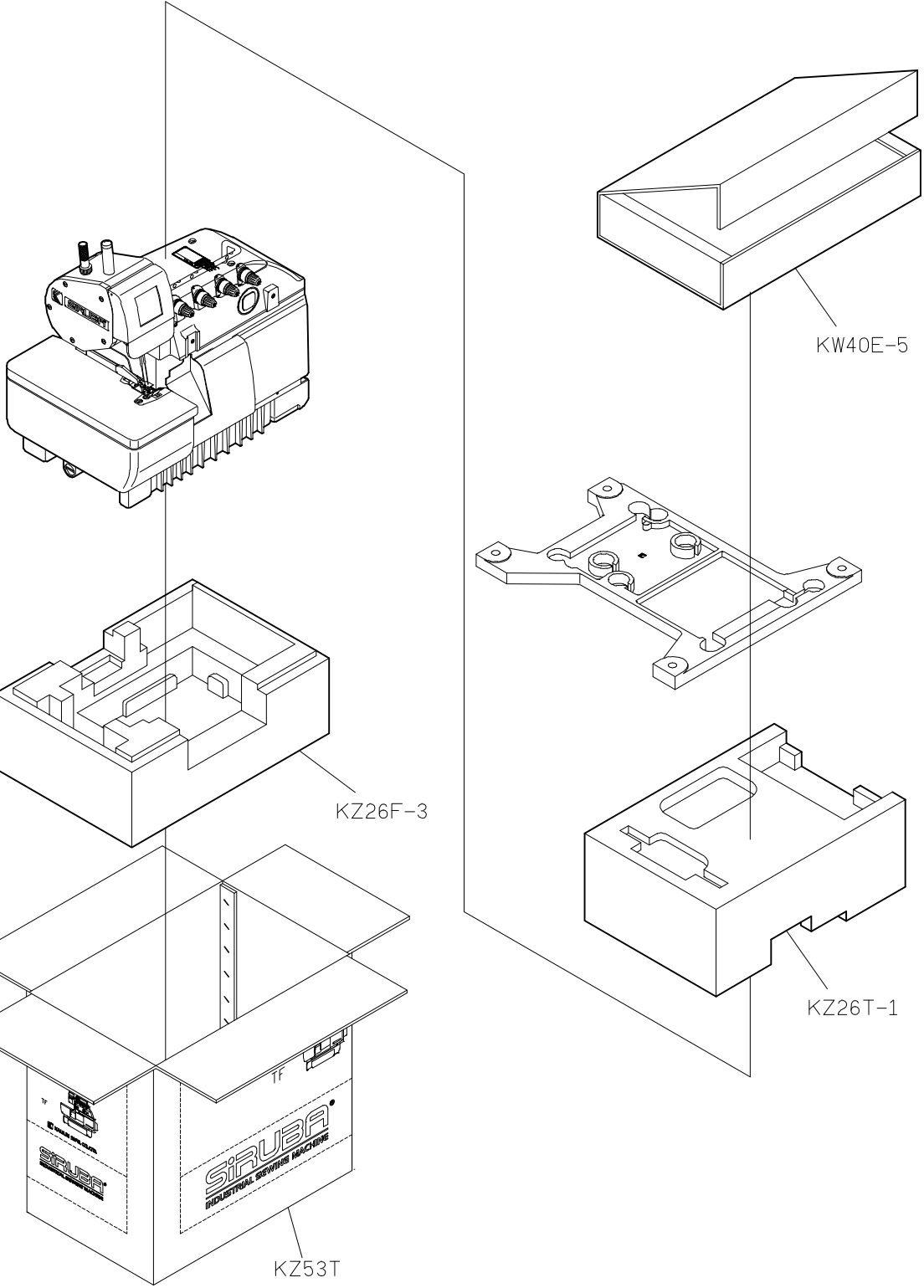
A

B

C

D

E



1

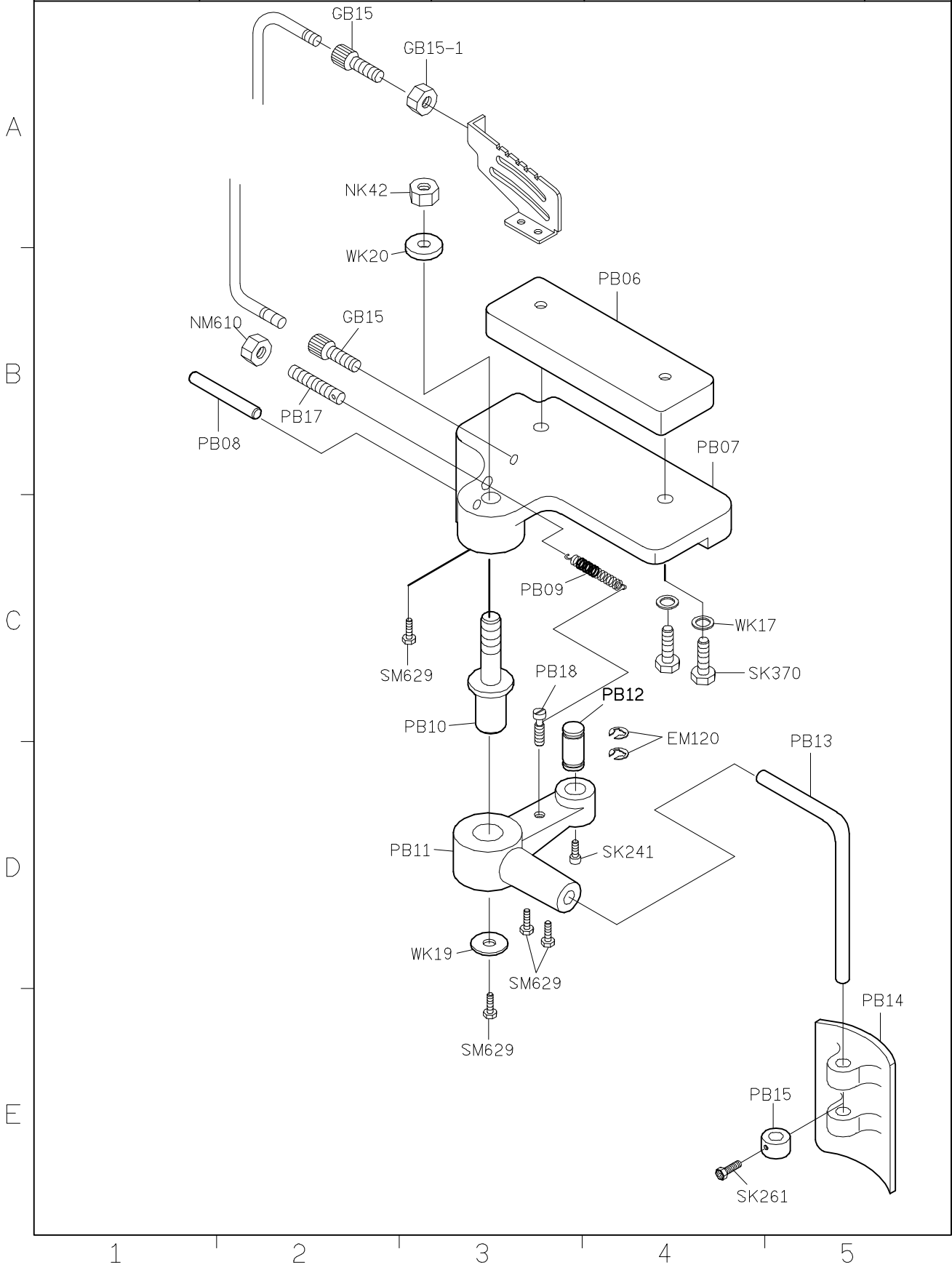
2

3

4

5

SIRUBA PARTS LIST	Series	Parts Group	Subclass Remark	Page
	700DFT	PB		1/1
				Date
				2012/08/21



SIRUBA TABLE CUT - OUT	Series	Item Code	Subclass Remark	Mounting
	700DFT	700DFT-T1	UNIT: mm TOLERANCE: ±2 For DFT	Non-submerged
				Date
				2012/06/21

