

SIRUBA

GAGE PARTS LIST

Series
700FS

Remark

Page

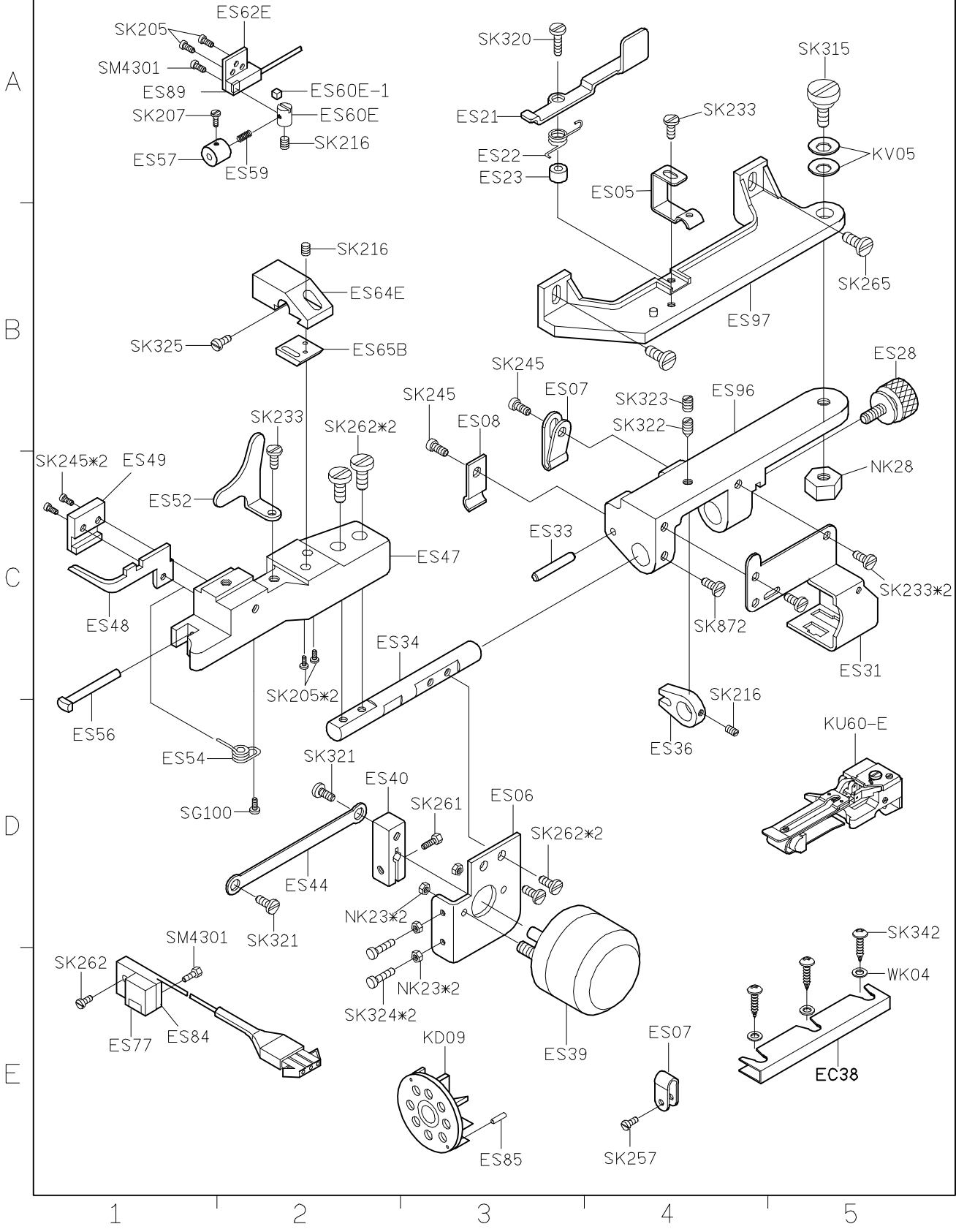
Date

1 / 1

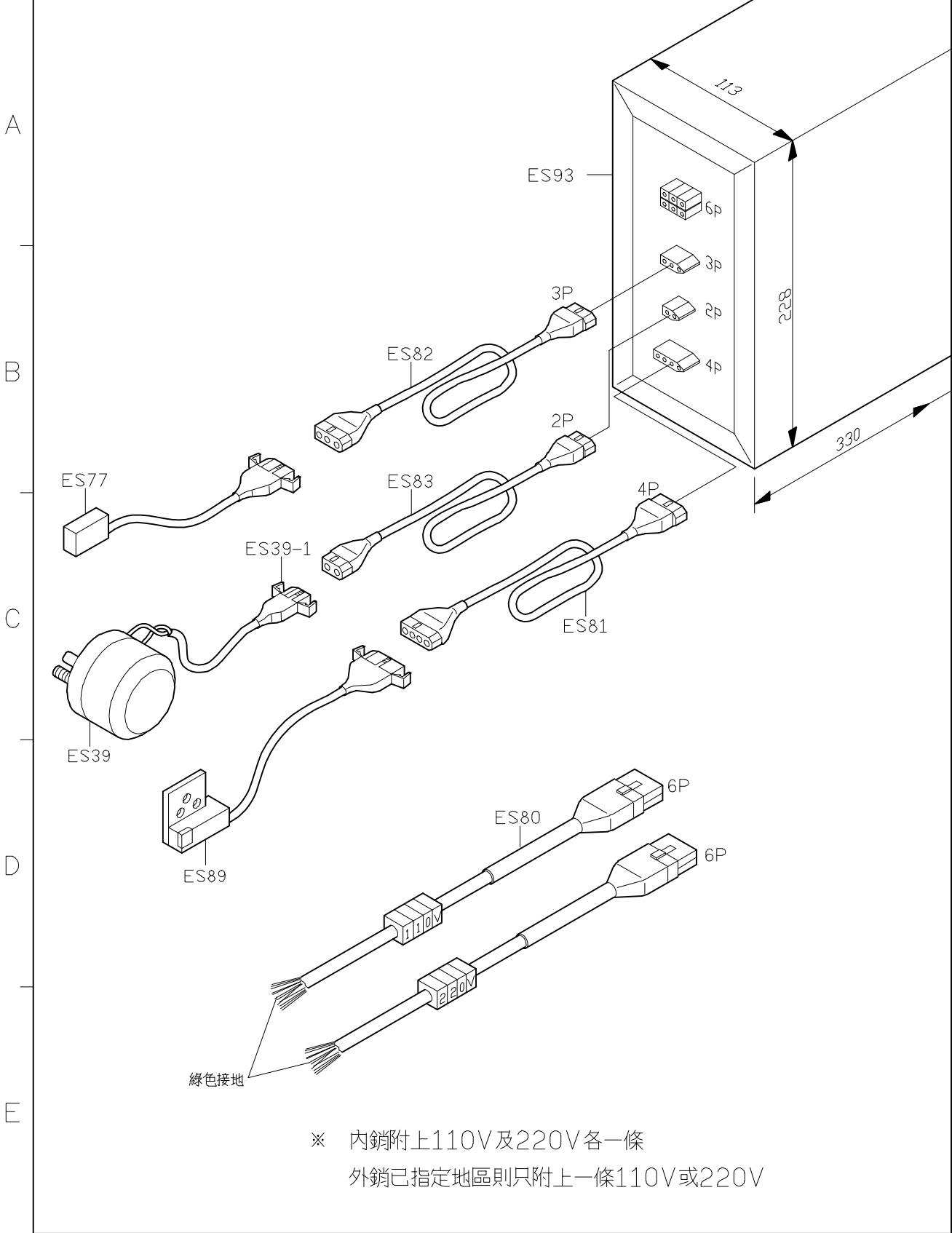
2012/08/23

機 型 MODEL	包邊寬度 OVEREDGE WIDTH	針板 NEEDLE PLATE	送具 FEED DOG	送具 FEED DOG	送具 FEED DOG	縫 距 STITCH LENGTH	押 具 PRESSER FOOT	押具舌 PRESSER FINGER	勾 針 LOOPER	針 榴 NEEDLE CLAMP	衝 程 CRANK	衝 程 CRANK	束子 COLLER	針 號 NEEDLE	押具高度 PRESSER FOOT HEIGHT	送具形式 FEED DOG STYLE	衝 程 CRANK	墊圈 WASHER	轉速 S.P.M
737FS	505F1-04	E304	D103	D102	H104	1.6	P152D-3	—	LP26	KG131	KF25	KJ09B	KJ10	DCX27#9	5.5		KL62	KL11	7000
	505F1-04/ESS	E304	D103	D102	H104	1.6	P152D-3	—	LP26	KG131	KF25	KJ09B	KJ10	DCX27#9	5.5		KL62	KL11	7000
	504M2-04	E324K	D117K	D116K	H118K	1.6	P987-3	BK03	LP26	KG131	KF26	KJ11B	KJ13	DCX27#11	6.5		KL60	KL11	6300
	504M2-04/LF-D3	E324K	D117K	D116K	H118K	1.6	P212-3A	—	LP26	KG131	KF26	KJ11B	KJ13	DCX27#11	5.5		KL60	KL11	6000
747FS	504M2-04/LF-D6	E324K	D117K	D116K	H118K	1.6	P212-A	—	LP26	KG131	KF26	KJ11B	KJ13	DCX27#11	5.5		KL60	KL11	6000
	504M2-04/LF-D6A	E324K	D117K	D116K	H118K	1.6	P212-3A	—	LP26	KG131	KF26	KJ11B	KJ13	DCX27#11	5.5		KL60	KL11	6000
	504M2-04/LFC-2S	E324K	D117K	D116K	H118K	1.6	P111-3	—	LP26	KG131	KF26	KJ11B	KJ13	DCX27#11	6.5		KL60	KL11	6300
	514M2-24	E434K	D117K	D116K	H118K	1.6	P987-4	BK03	LP26	KG142	KF26	KJ11B	KJ13	DCX27#11*2	5.5		KL60	KL11	6000
747FS	514M4-24	E424	D103	D116	H118	1.6	P987-4	BK03	LP26	KG142	KF25	KJ69	KJ10	DCX27#11*2	6.5		KL62	KL11	7000
	514M2-24/LF-D3	E434K	D117K	D116K	H118K	1.6	P212-4A	—	LP26	KG142	KF26	KJ11B	KJ13	DCX27#11*2	5.5		KL60	KL11	6000
	514M2-24/LF-D6	E434K	D117K	D116K	H118K	1.6	P212-2A	—	LP26	KG142	KF26	KJ11B	KJ13	DCX27#11*2	5.5		KL60	KL11	6000
514M2-24/LF-D6A	E434K	D117K	D116K	H118K	1.6	P212-4A	—	LP26	KG142	KF26	KJ11B	KJ13	DCX27#11*2	5.5		KL60	KL11	6000	

SIRUBA PARTS LIST	Series	Parts Group	Subclass Remark	Page
	700FS	ESS		1/2
				Date
				2012/08/21

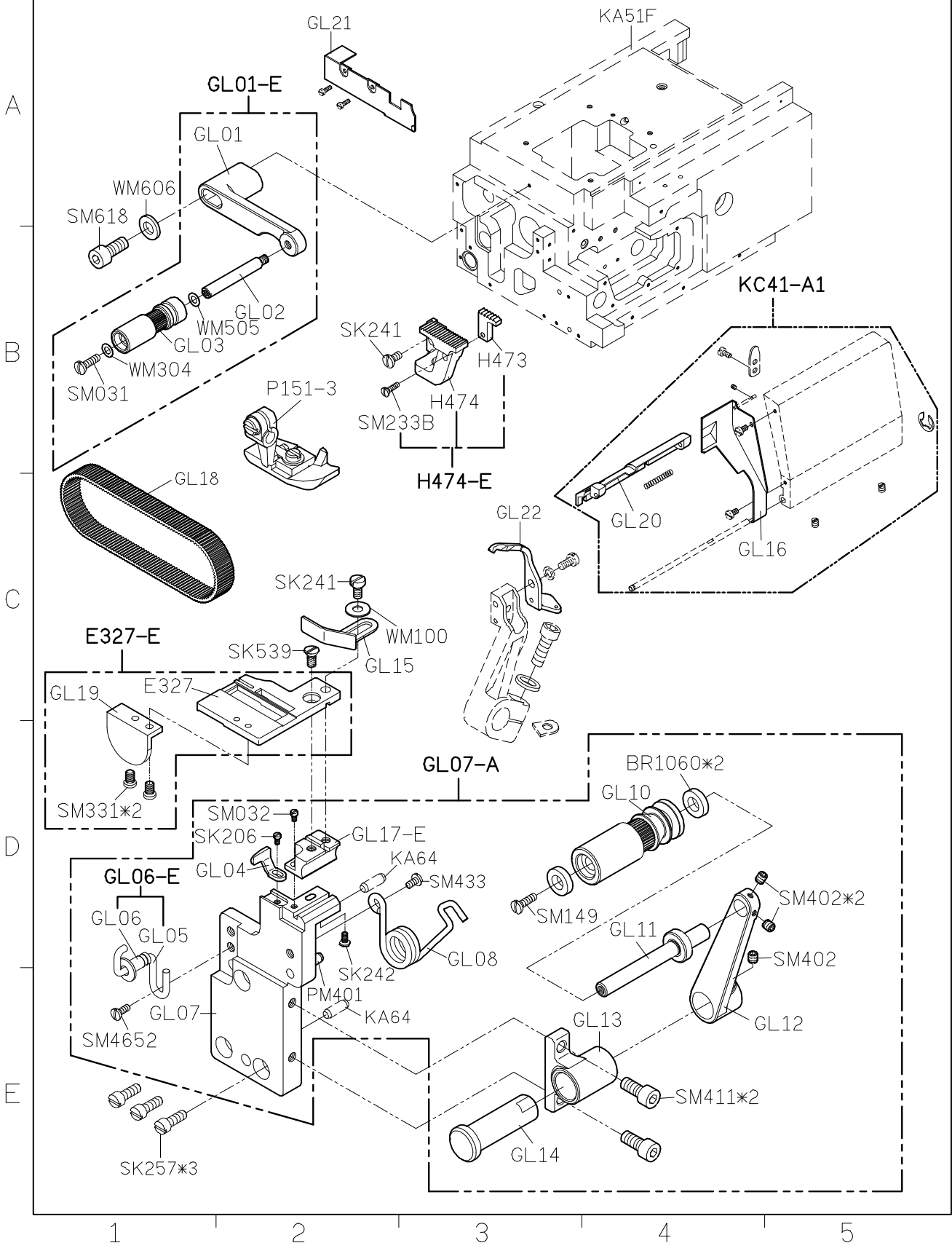


SIRUBA PARTS LIST	Series	Parts Group	Subclass Remark	Page
	700FS	ESS		2/2
				Date
				2012/08/21

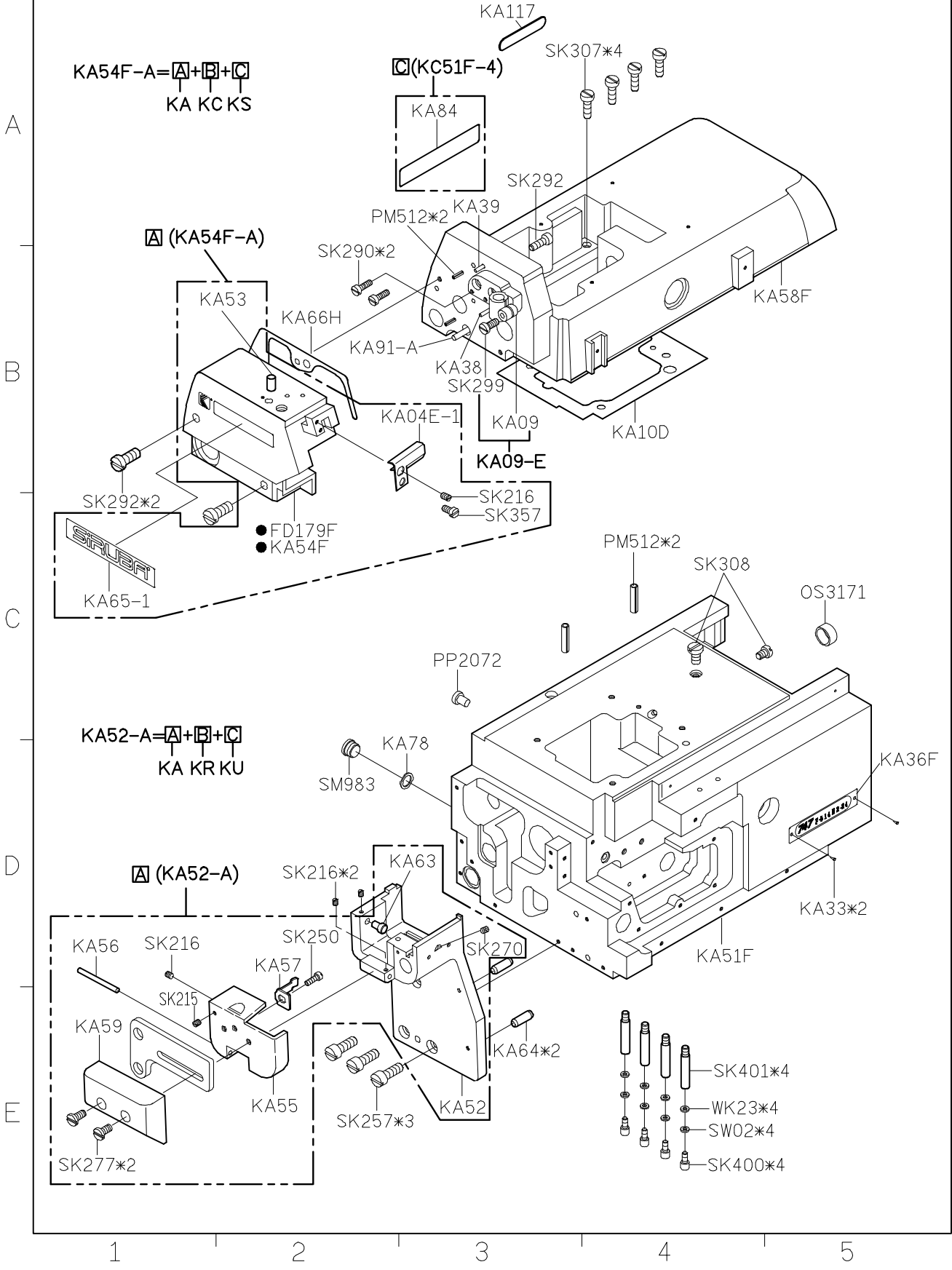


※ 內銷附上110V及220V各一條
外銷已指定地區則只附上一條110V或220V

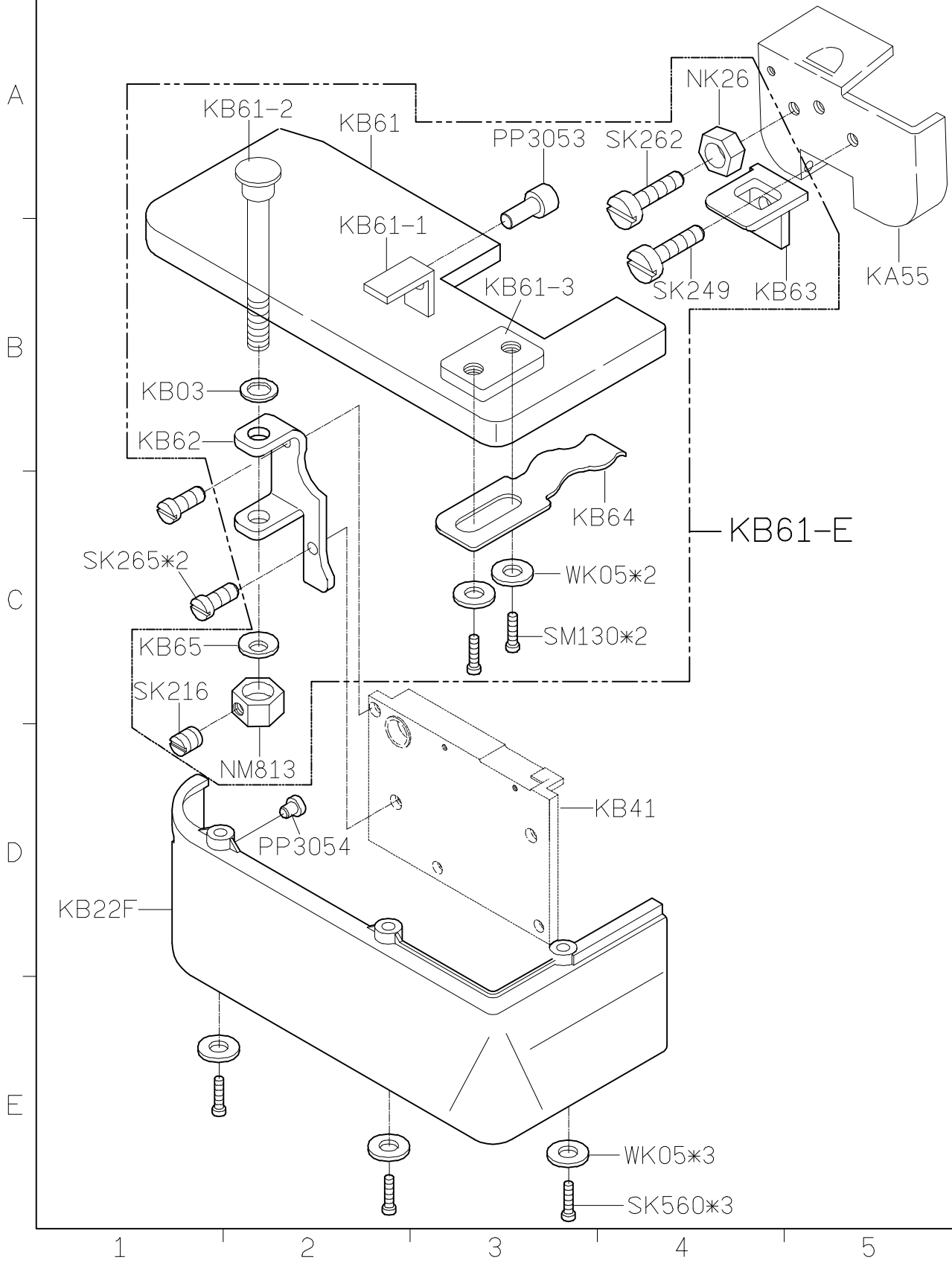
SIRUBA PARTS LIST	Series	Parts Group	Subclass / Remark	Page
	700FS	GL		1/1
				Date
				2012/09/18



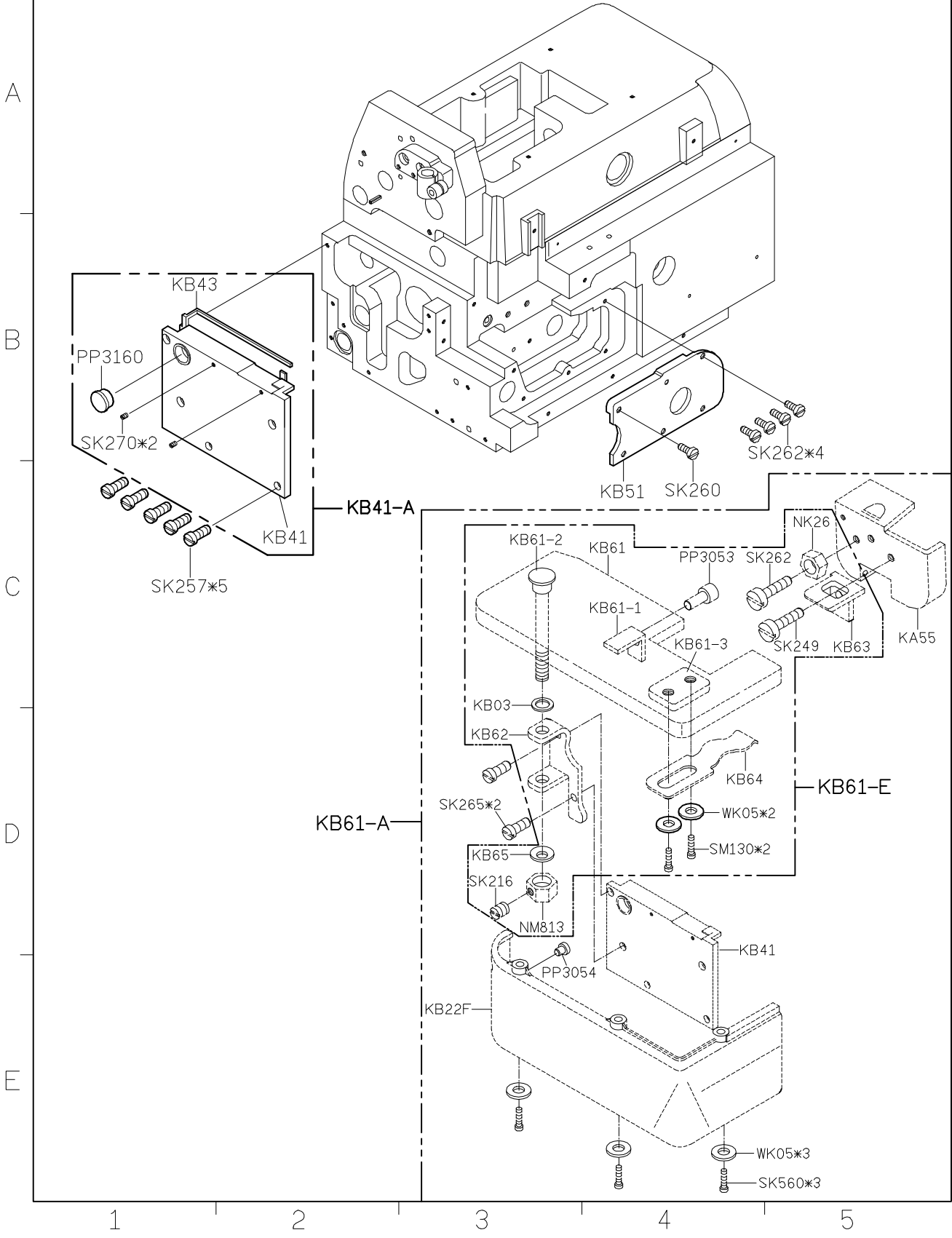
SIRUBA PARTS LIST	Series	Parts Group	Subclass Remark	Page
	700FS	KA		1/1
				Date
				2012/08/20



SIRUBA PARTS LIST	Series	Parts Group	Subclass Remark	Page
	700FS	KB61-A		1/1
				Date
				2012/08/20



SIRUBA PARTS LIST	Series	Parts Group	Subclass Remark	Page
	700FS	KB		1/1
				Date
				2012/08/20



1

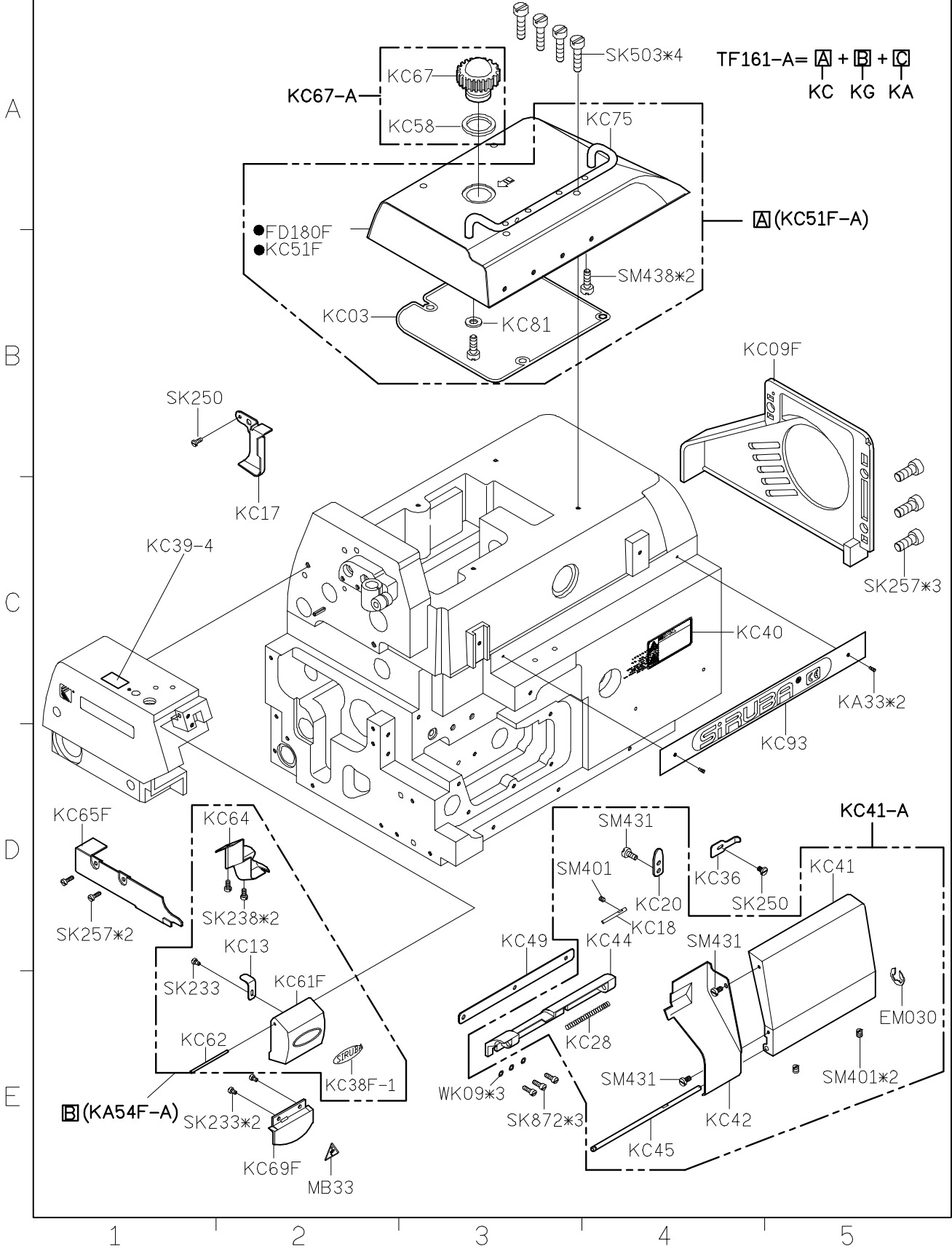
2

3

4

5

SIRUBA PARTS LIST	Series	Parts Group	Subclass Remark	Page
	700FS	KC		1/1
				Date
				2012/08/20



SIRUBA PARTS LIST	Series	Parts Group	Subclass Remark	Page
	700FS	KD		1/1
				Date
				2012/08/20

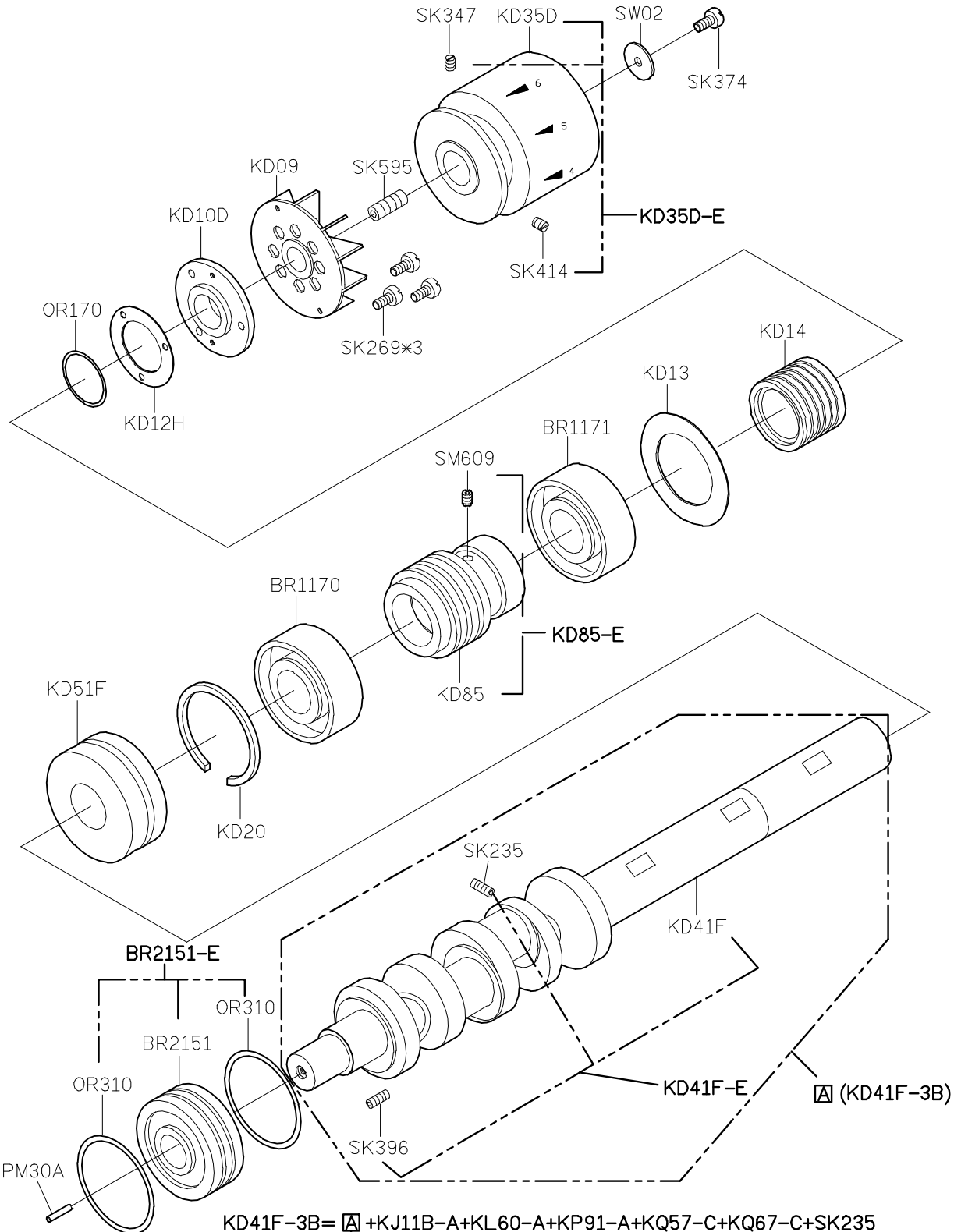
A

B

C

D

E



1

2

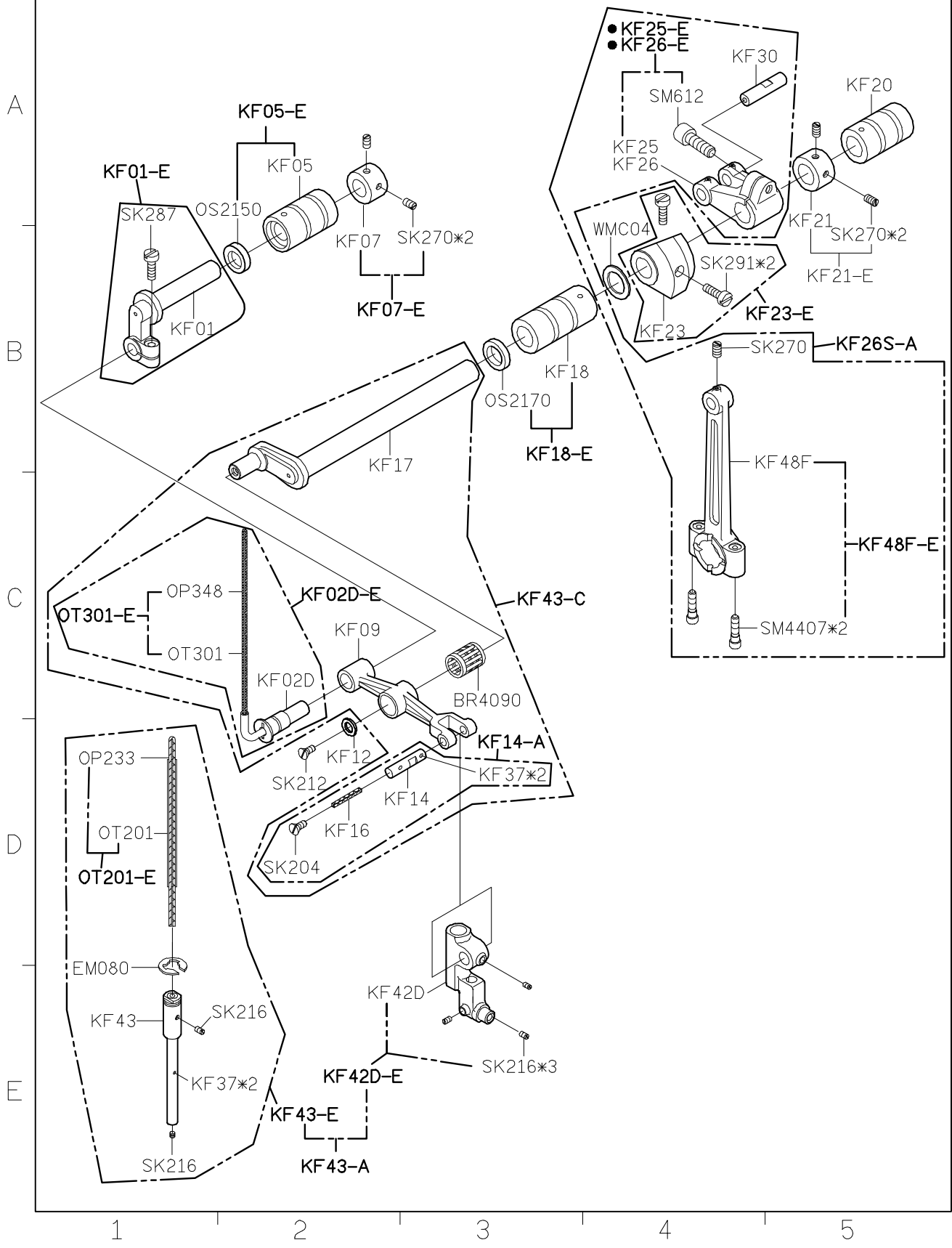
3

4

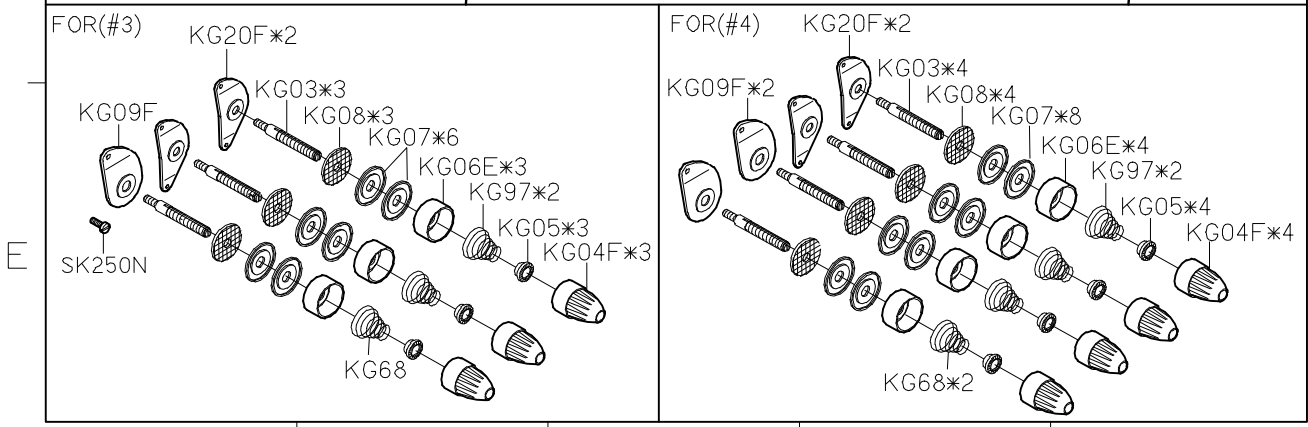
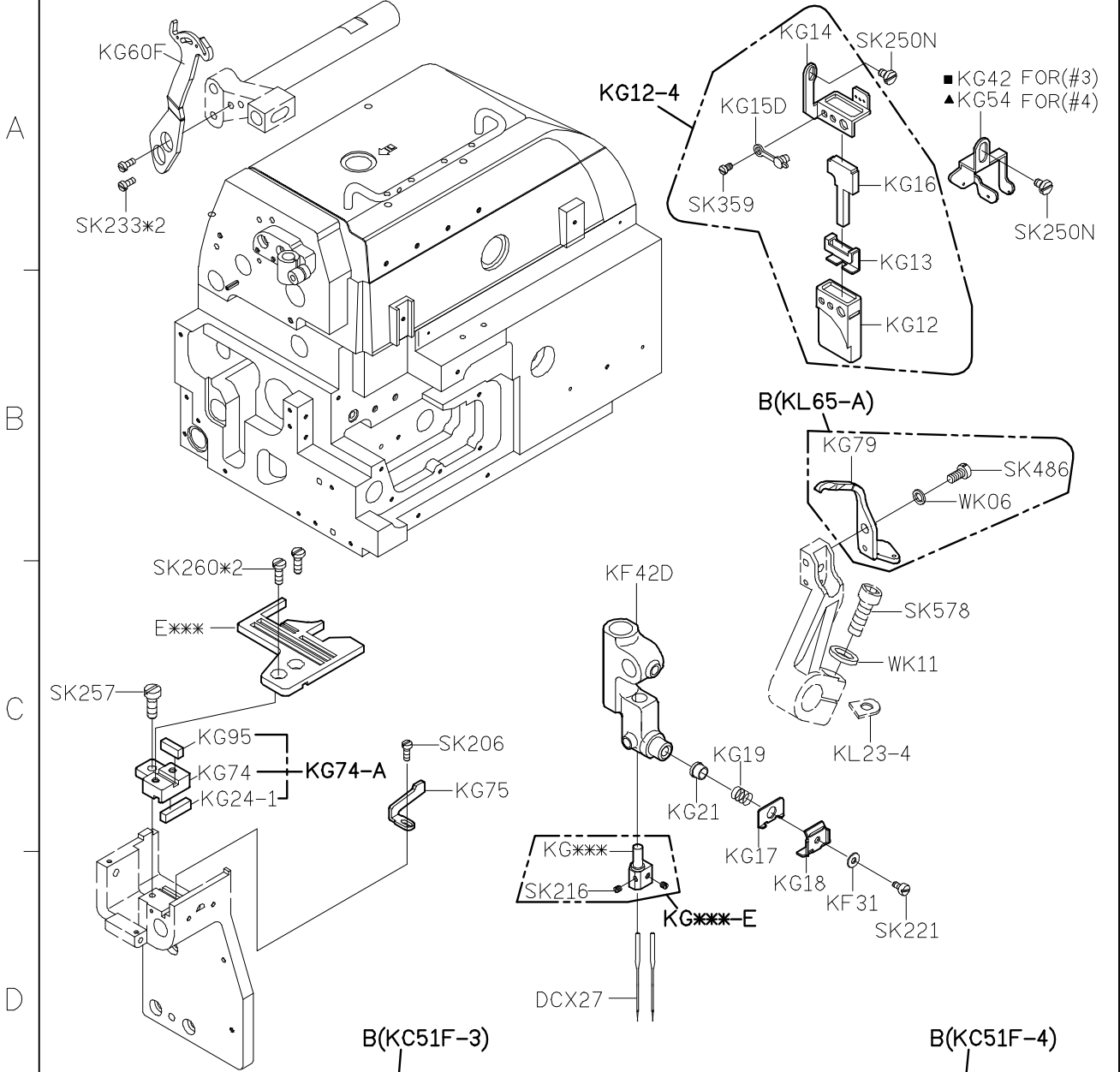
5

KD41F-3B = \triangle + KJ11B-A + KL60-A + KP91-A + KQ57-C + KQ67-C + SK235
KD

SIRUBA PARTS LIST	Series	Parts Group	Subclass Remark	Page
	700FS	KF		1/1
				Date
				2012/09/20

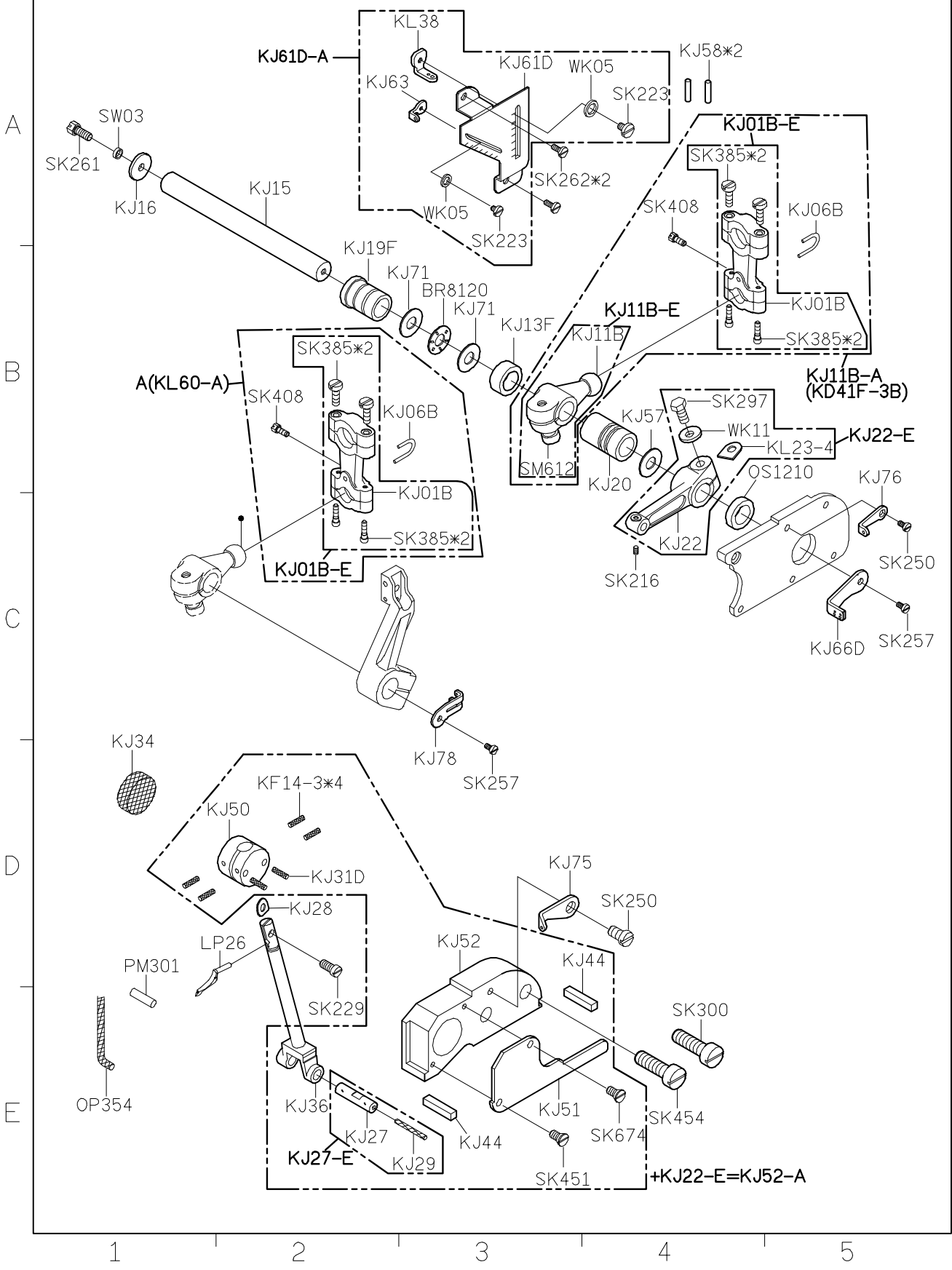


SIRUBA PARTS LIST	Series	Parts Group	Subclass Remark	Page
	700FS	KG		1/1
				Date
				2012/08/20

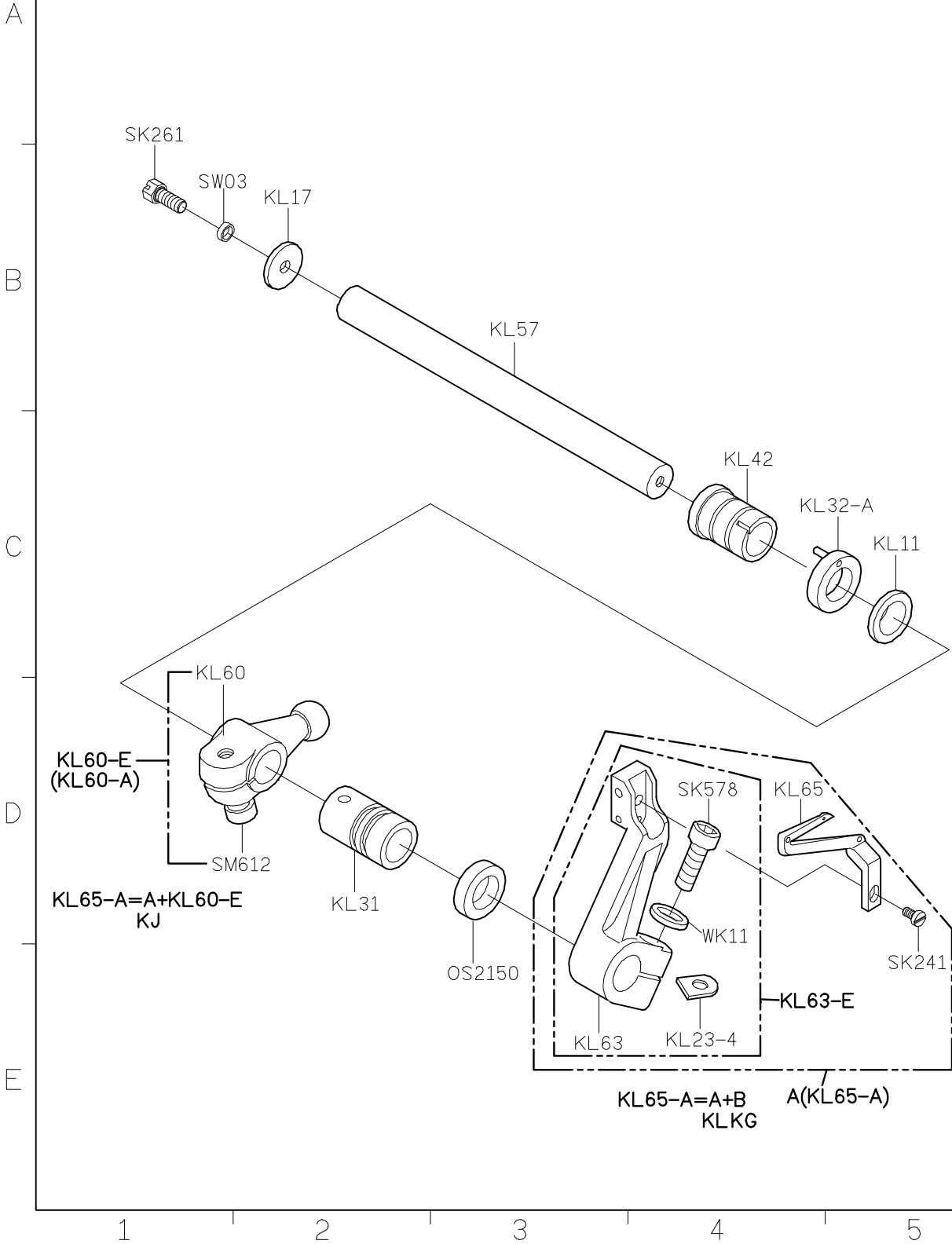


1 2 3 4 5

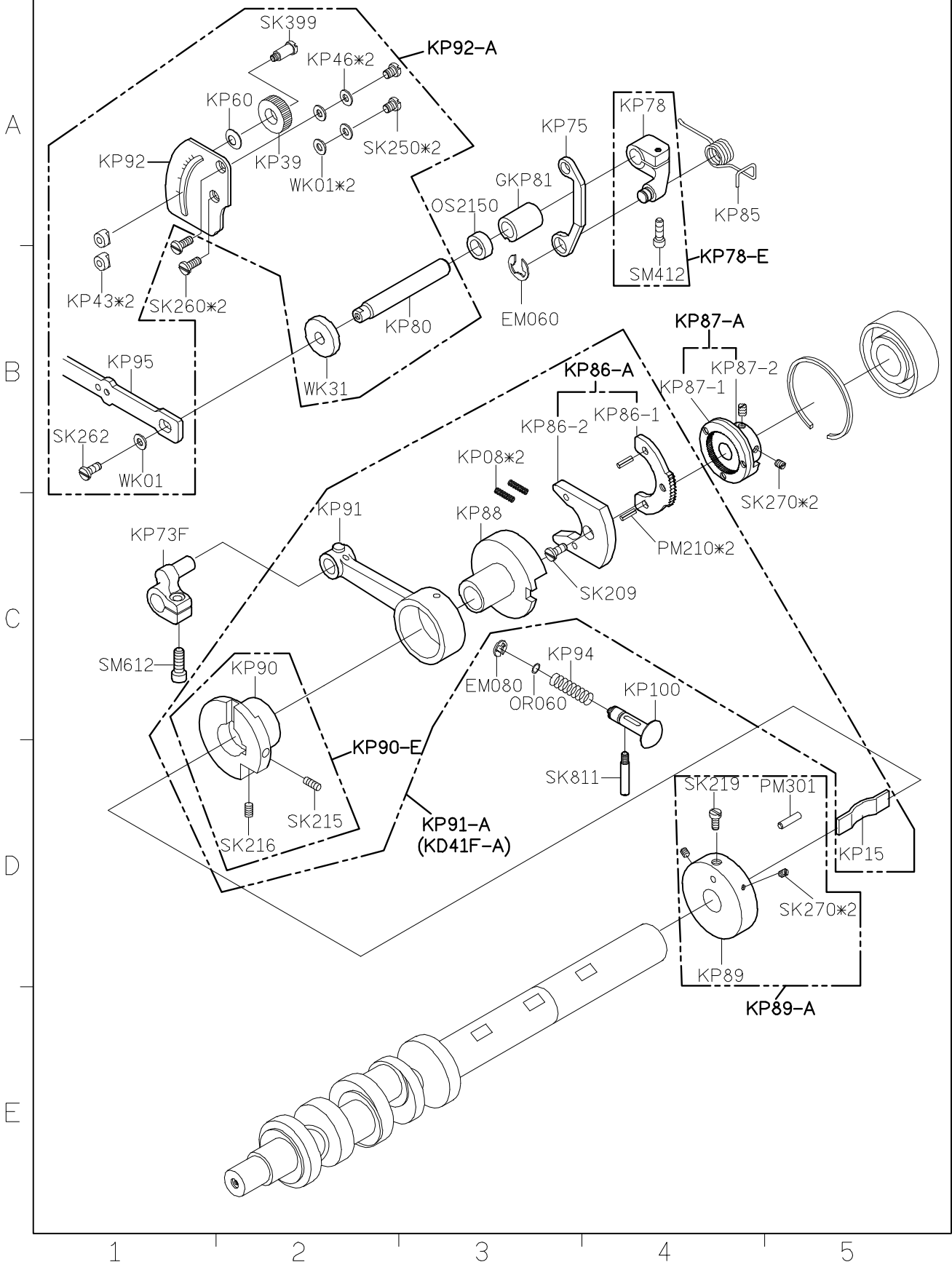
SIRUBA PARTS LIST	Series	Parts Group	Subclass Remark	Page
	700FS	KJ		1/1
				Date
				2012/08/20



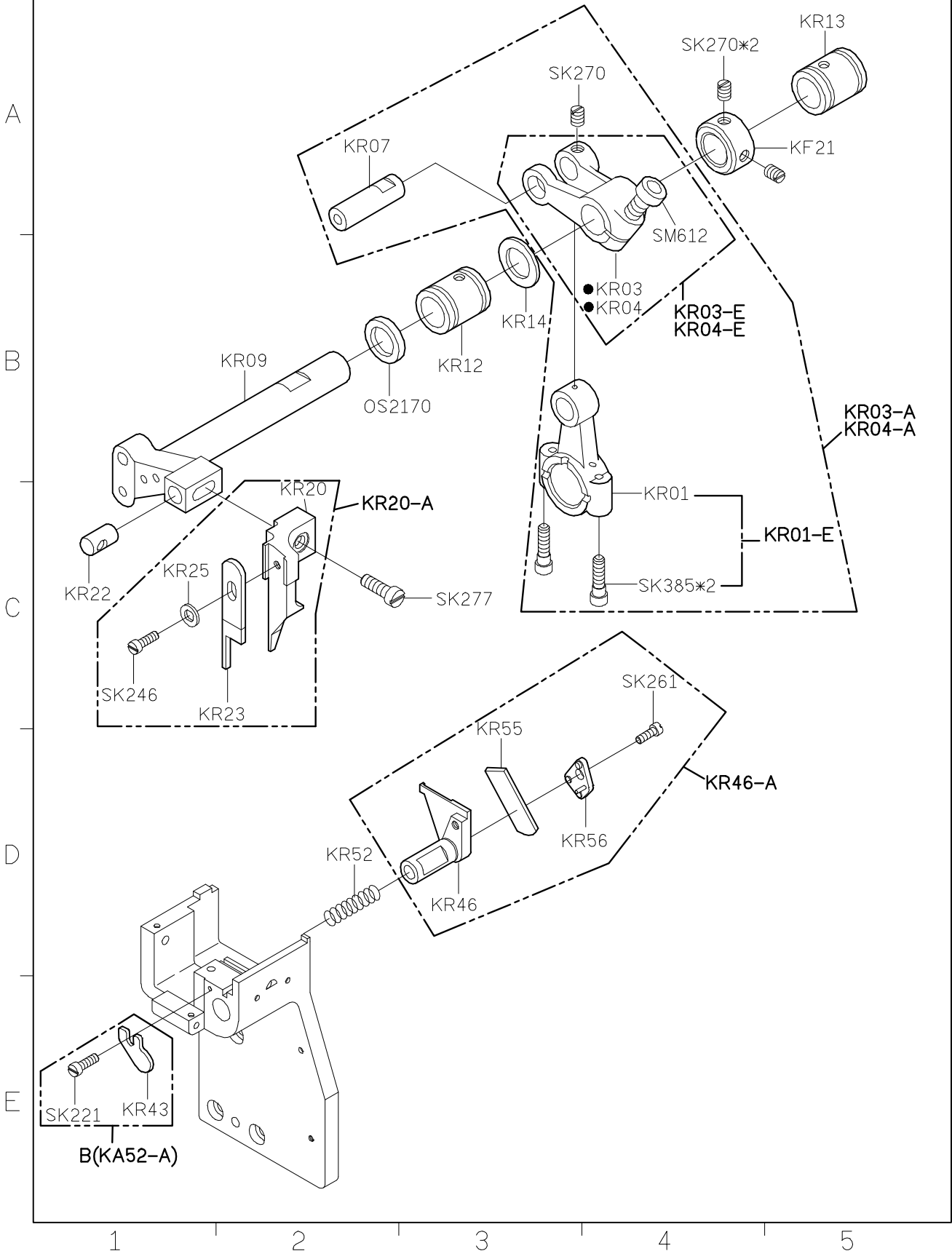
SIRUBA PARTS LIST	Series	Parts Group	Subclass Remark	Page
	700FS	KL		1/1
				Date
				2012/08/20



SIRUBA PARTS LIST	Series	Parts Group	Subclass Remark	Page
	700FS	KP		1/1
				Date
				2012/08/20



SIRUBA PARTS LIST	Series	Parts Group	Subclass Remark	Page
	700FS	KR		1/1
				Date
				2012/08/20



SIRUBA PARTS LIST	Series	Parts Group	Subclass Remark	Page
	700FS	KS		1/1
				Date
				2012/08/20

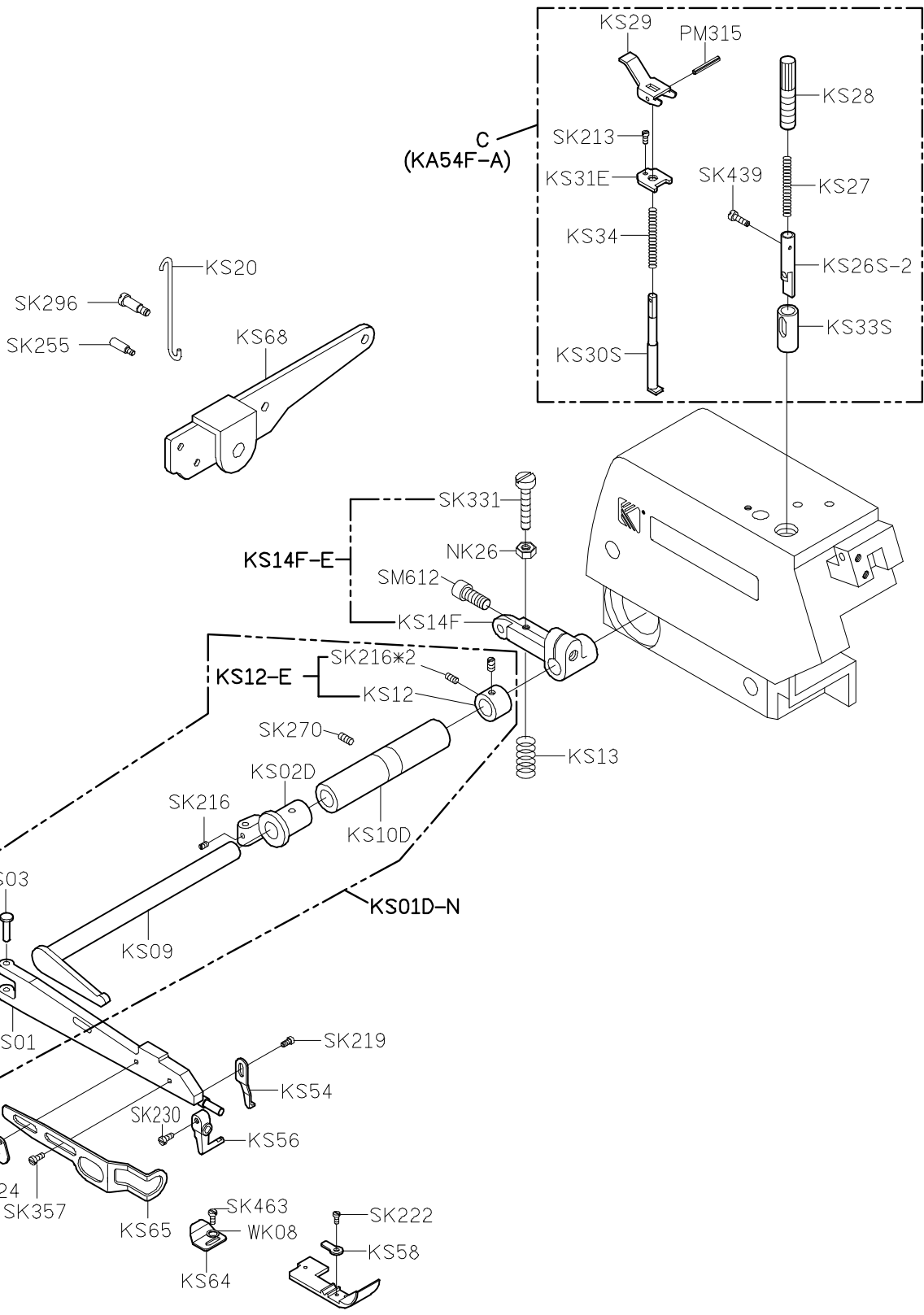
A

B

C

D

E



1

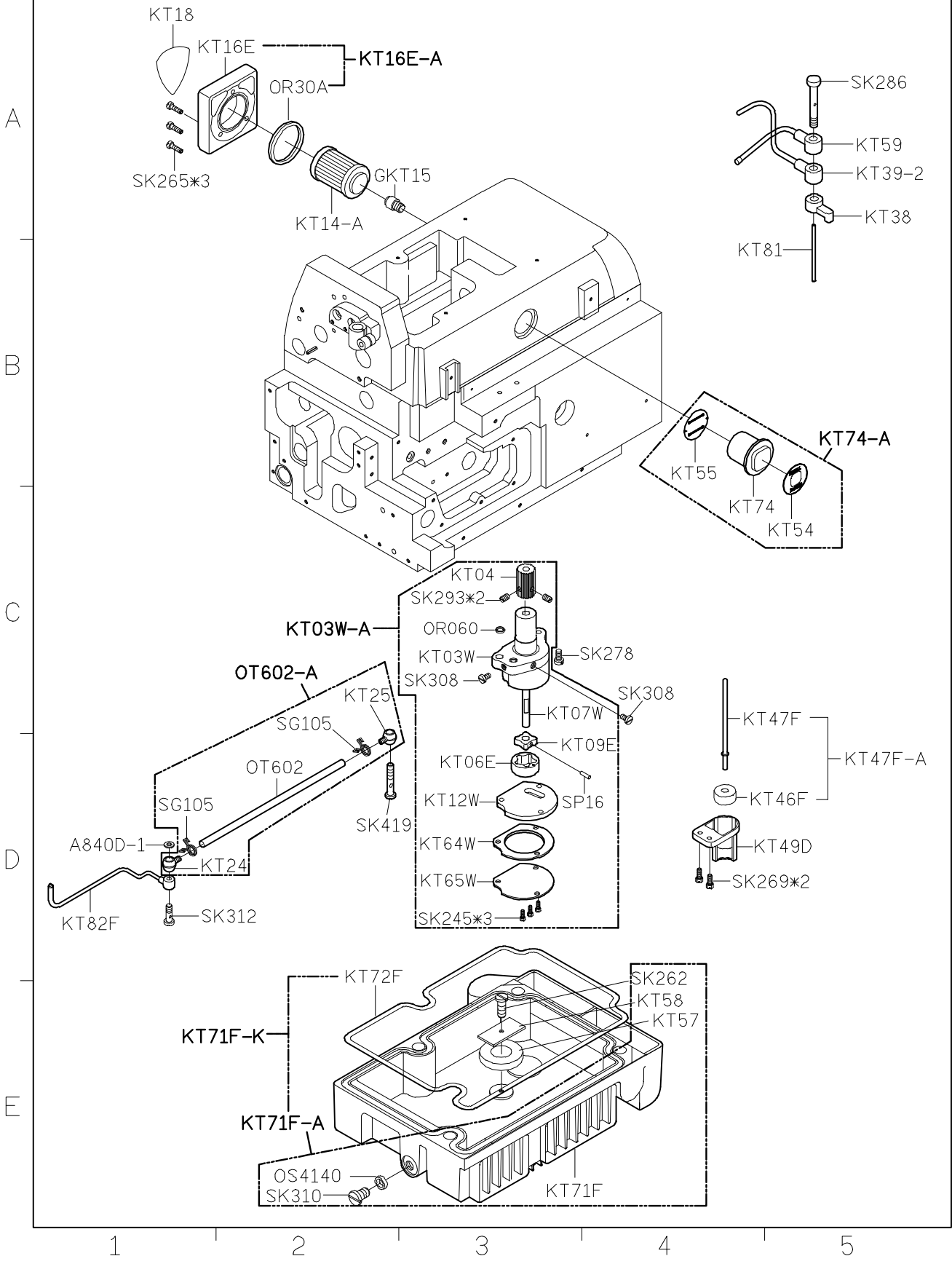
2

3

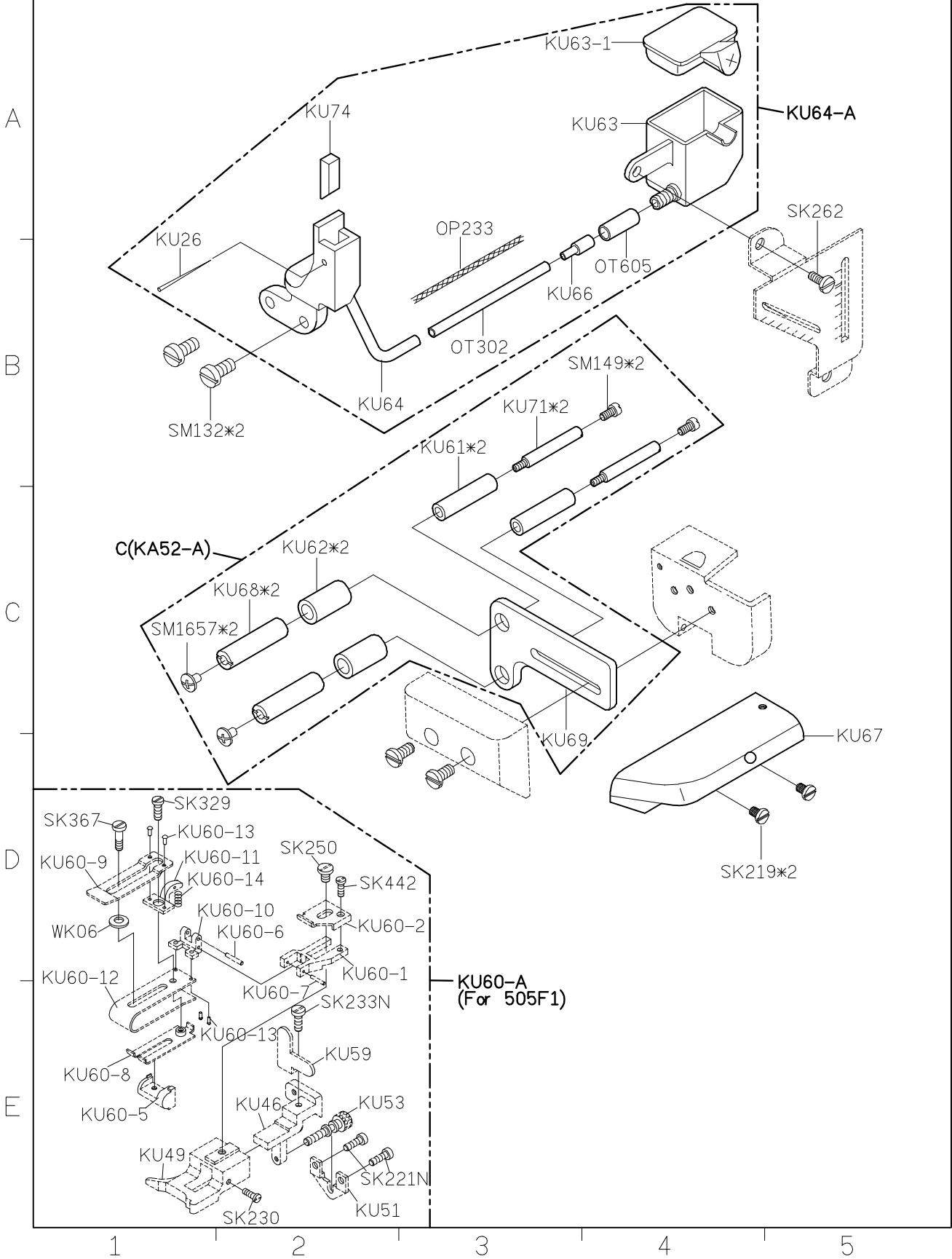
4

5

SIRUBA PARTS LIST	Series	Parts Group	Subclass Remark	Page
	700FS	KT		1/1
				Date
				2012/08/20



SIRUBA PARTS LIST	Series	Parts Group	Subclass Remark	Page
	700FS	KU		1/1
				Date
				2012/08/20



SIRUBA PARTS LIST	Series	Parts Group	Subclass Remark	Page
	700FS	KW		1/2
				Date
				2012/08/20

KW40E-3

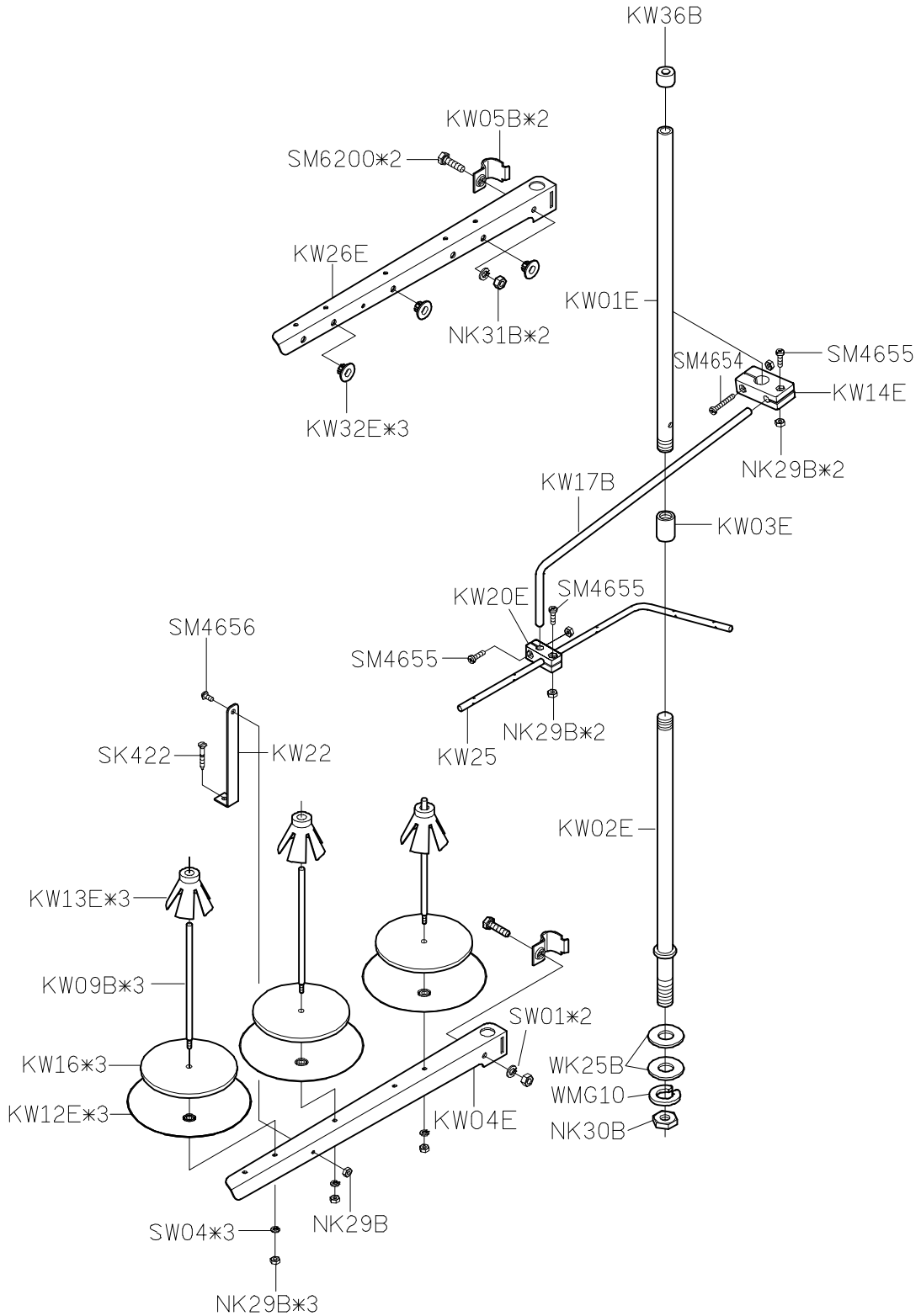
A

B

C

D

E



1

2

3

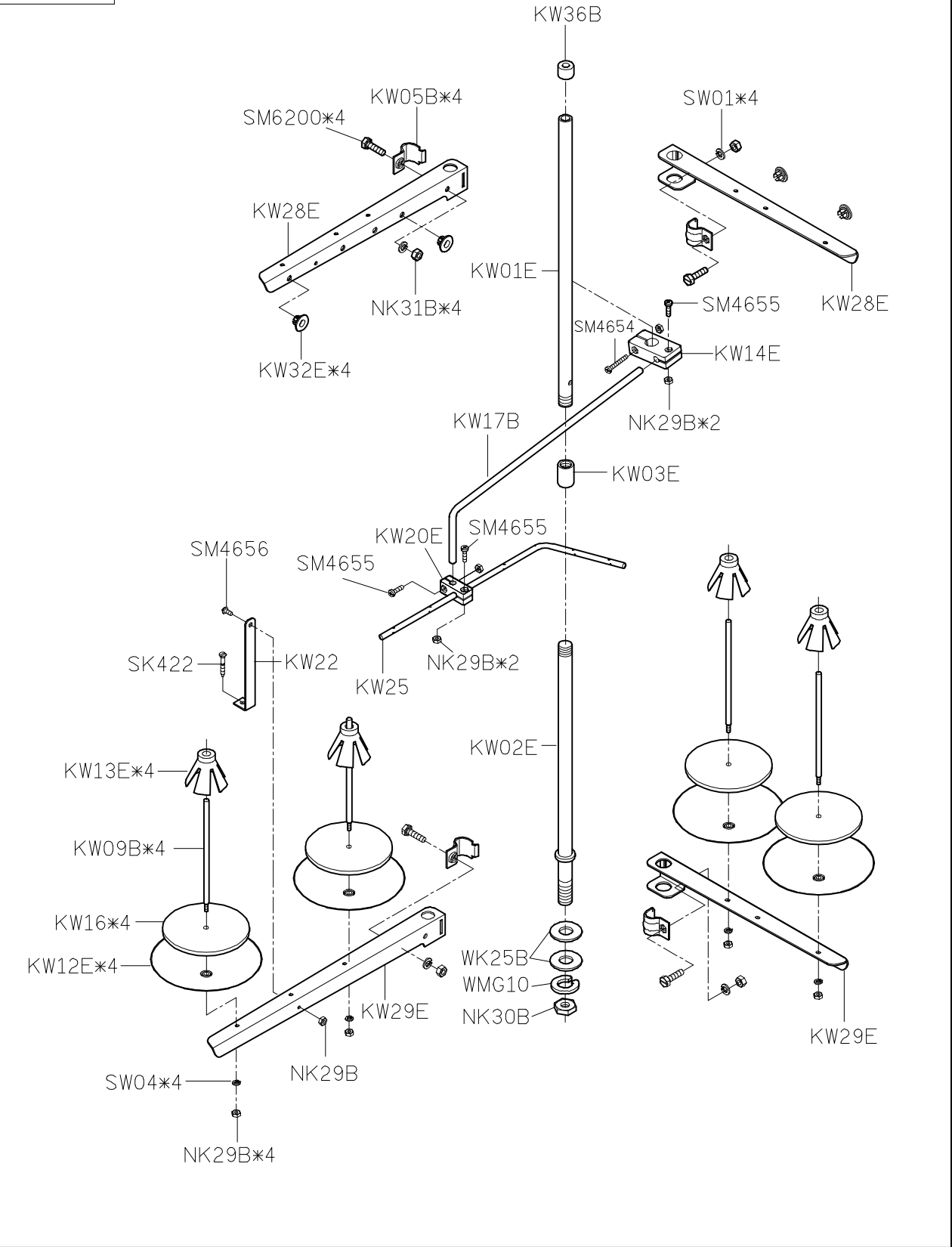
4

5

SIRUBA PARTS LIST	Series	Parts Group	Subclass Remark	Page
	700FS	KW		2/2
				Date
				2012/08/20

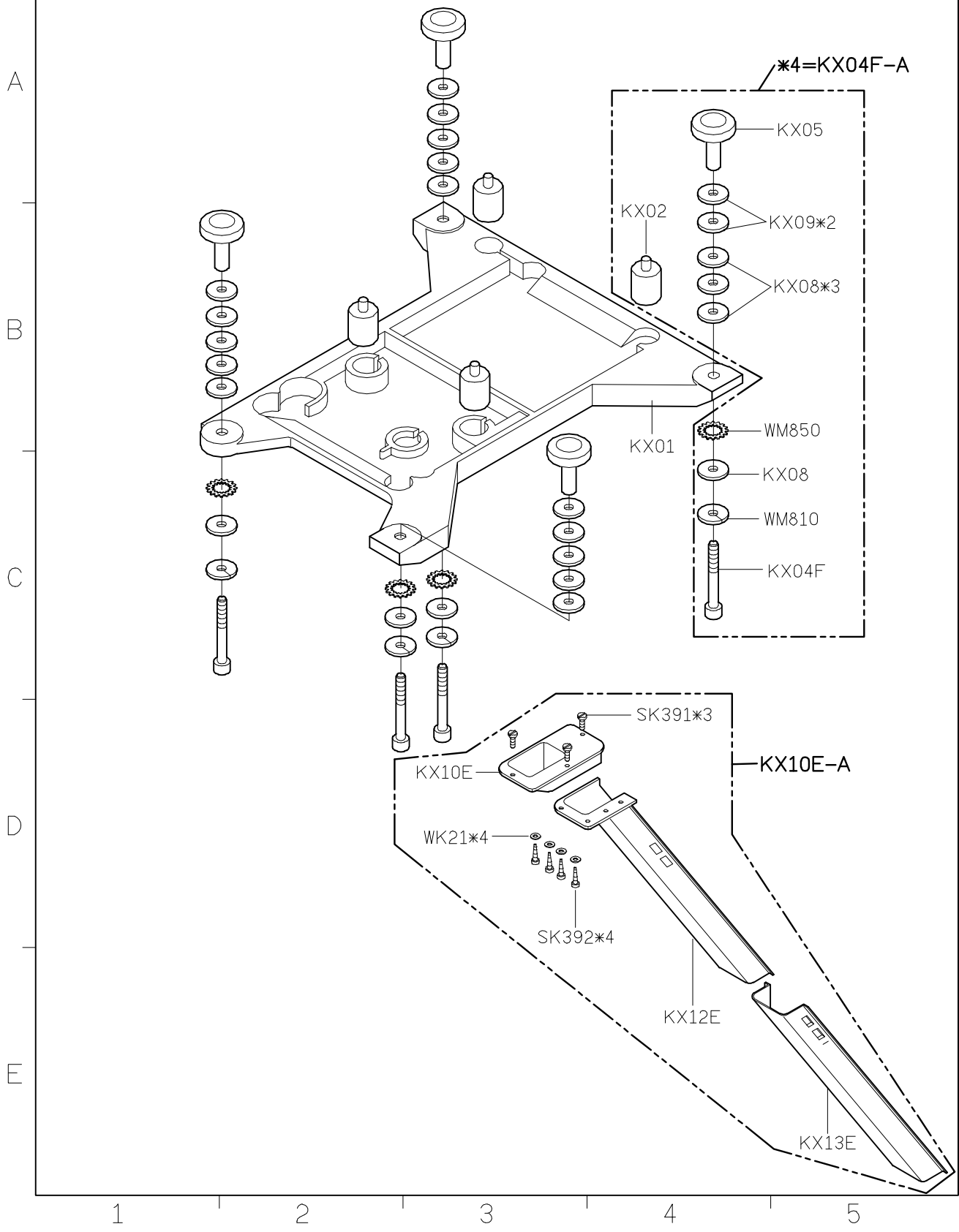
KW40E-4

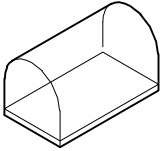
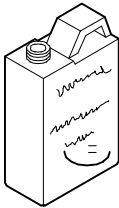



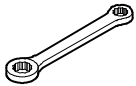
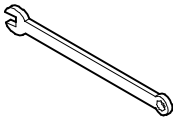

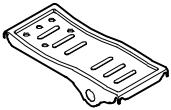




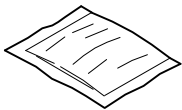

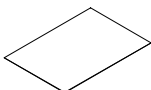
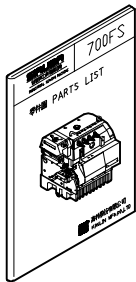
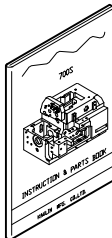

A
B
C
D
E



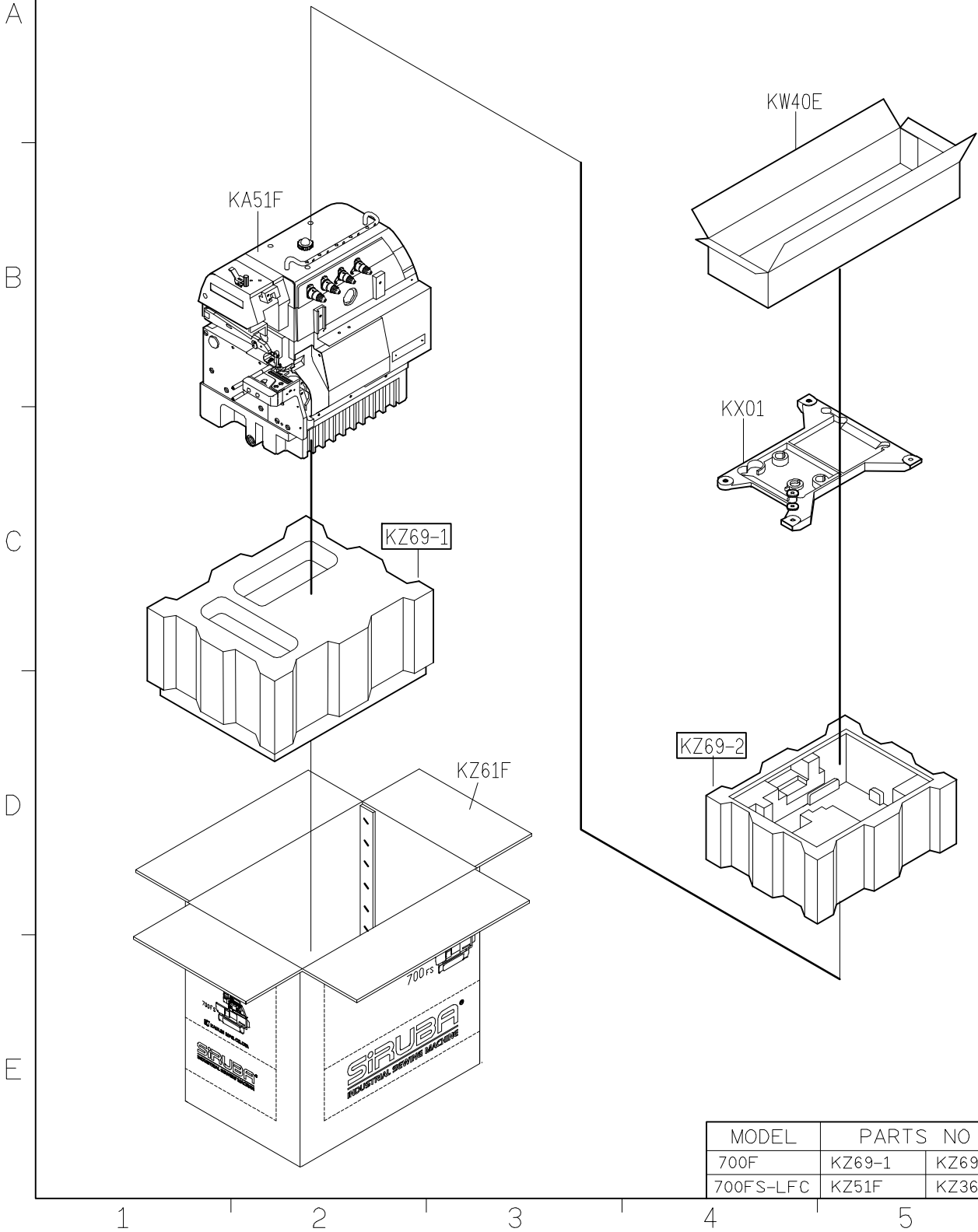
1 2 3 4 5

SIRUBA PARTS LIST	Series	Parts Group	Subclass Remark	Page
	700FS	KX		1/1
				Date
				2012/08/20

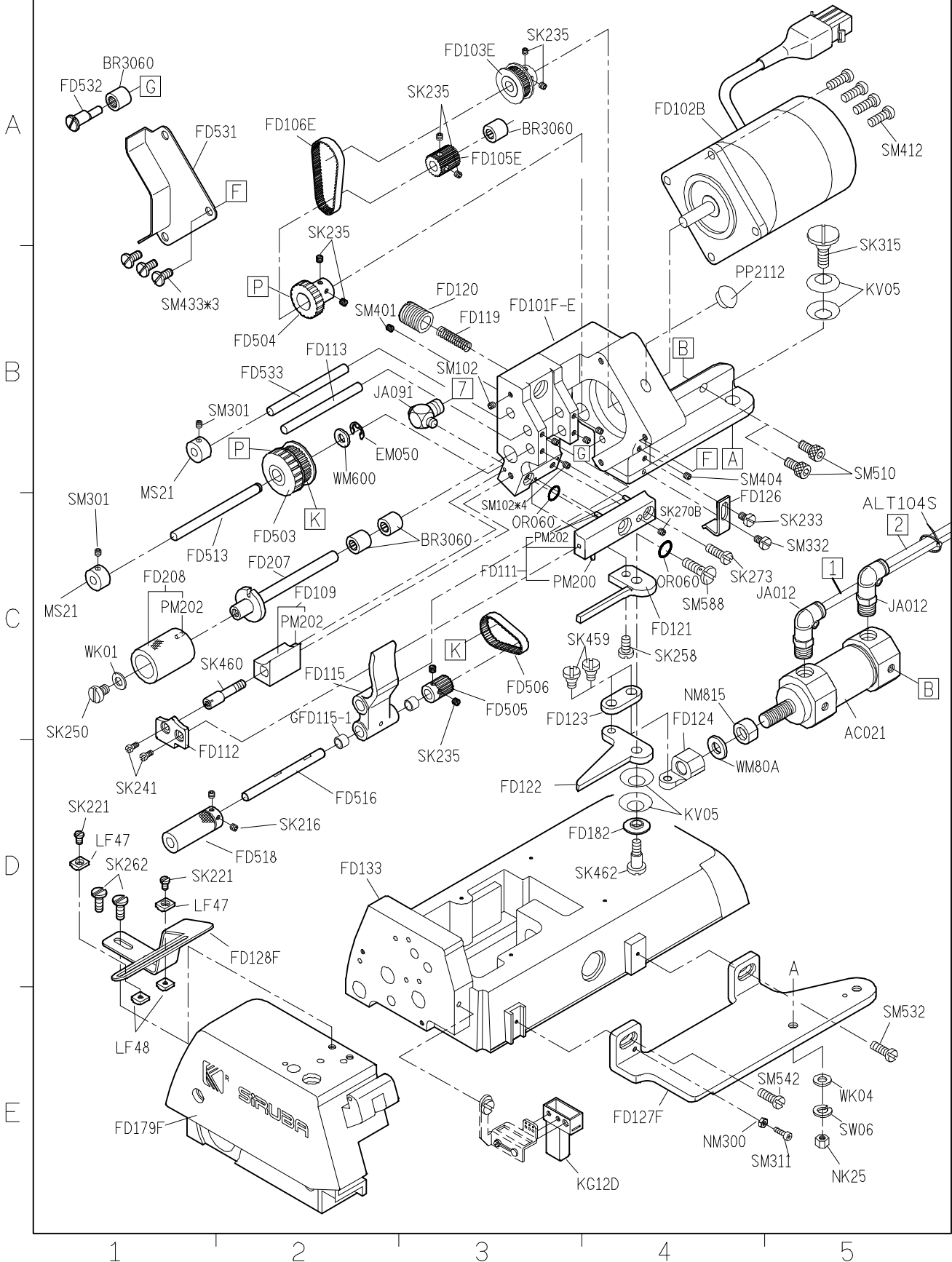


SIRUBA SEQUENCE LIST	Series	Parts Group	Subclass Remark	Page
	700FS	KY		1/1
				Date
				2012/03/20
KY01-1 防塵罩 	KY02-A 油罐 	KY03 油壺 	KY04S 漏斗 	KY05 油壺 
KY23-A ├── KY23 內六角板手 └── KY09 開口板手		KY10-A ├── KY10 六角板手 ├── KY11 六角板手 └── KY12 六角板手		
MY11 六角板手 	KY14 內六角螺絲起子 	KY16-A ├── KY16 一字起子 └── KY17 一字起子		KY18 鑷子 
KY20D 腳踏板 	KY21-A/MY21 鉤子/鍊條 	KY201 工具袋 	KR55 下刀片 	KT14-A 濾油器 
KZ03 乾燥劑 	針*4 KY30 針板紙  	KZ08FS 零件圖 	KZ13 使用說明書 	
SK216 螺絲 				

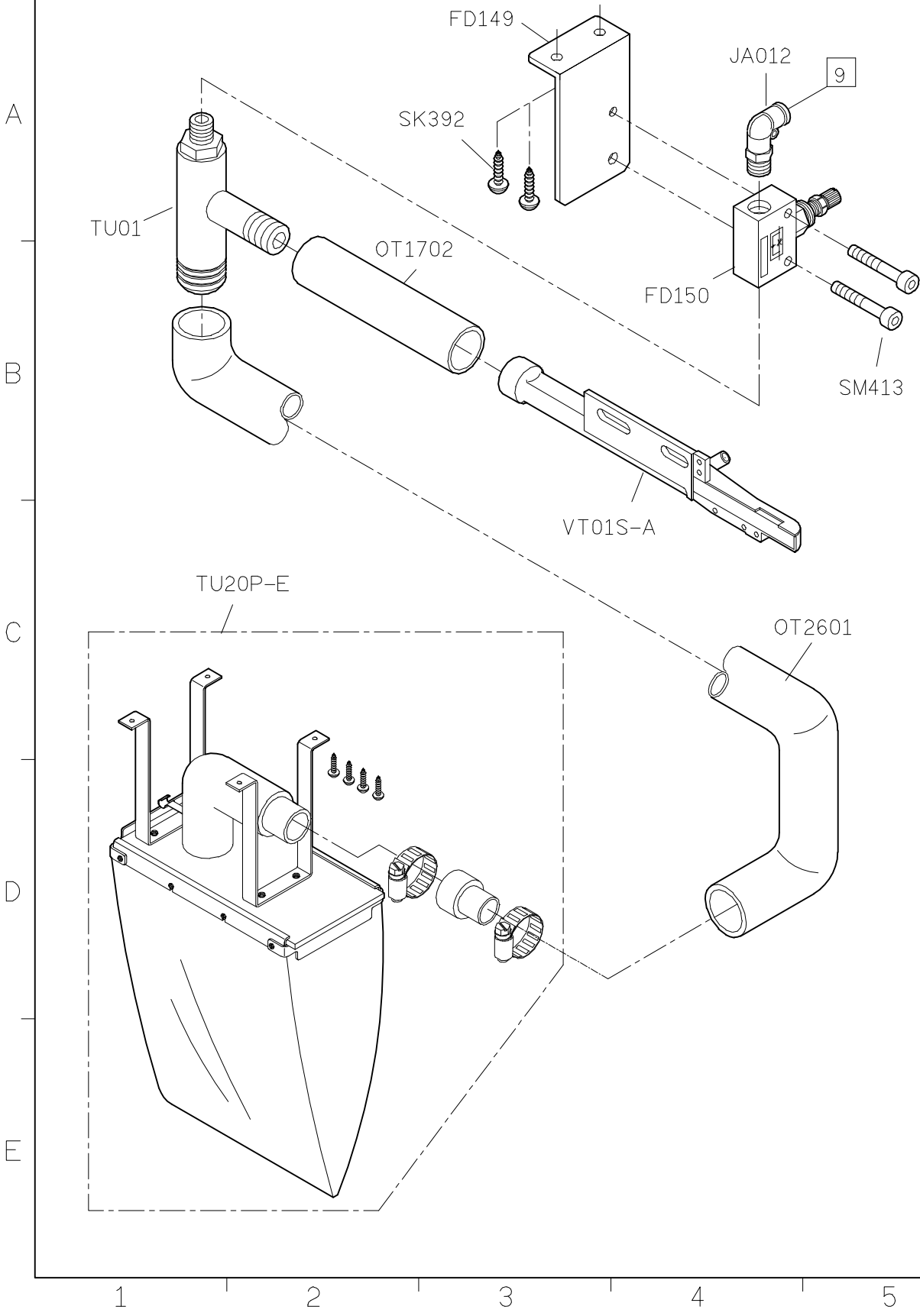
SIRUBA PARTS LIST	Series	Parts Group	Subclass Remark	Page
	700FS	KZ		1/1
				Date
				2012/08/20



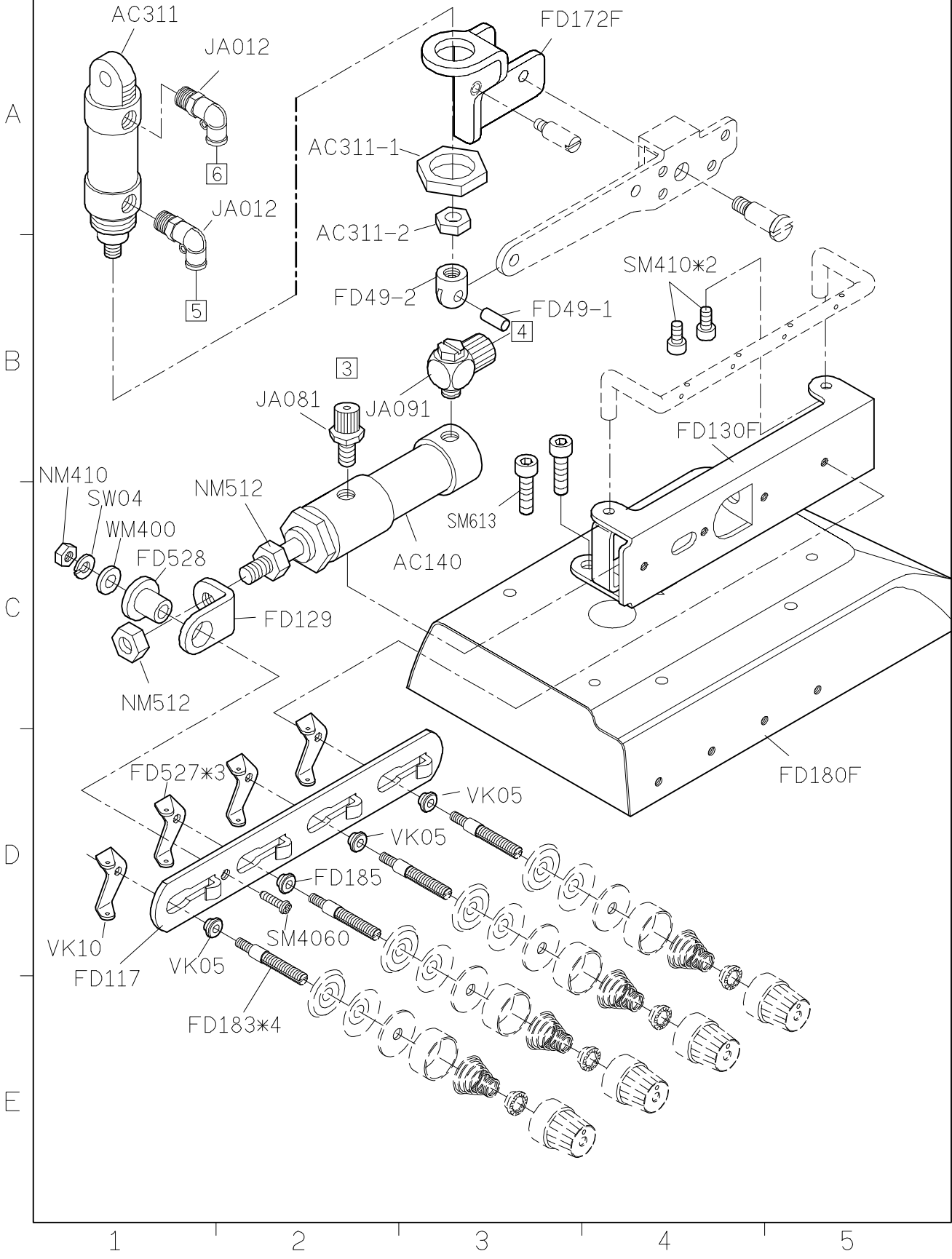
SIRUBA PARTS LIST	Series	Parts Group	Subclass Remark	Page
	700FS	LF-D3	For Short Wheel	1/8
			UNDER 5/8"	Date
				2012/08/21



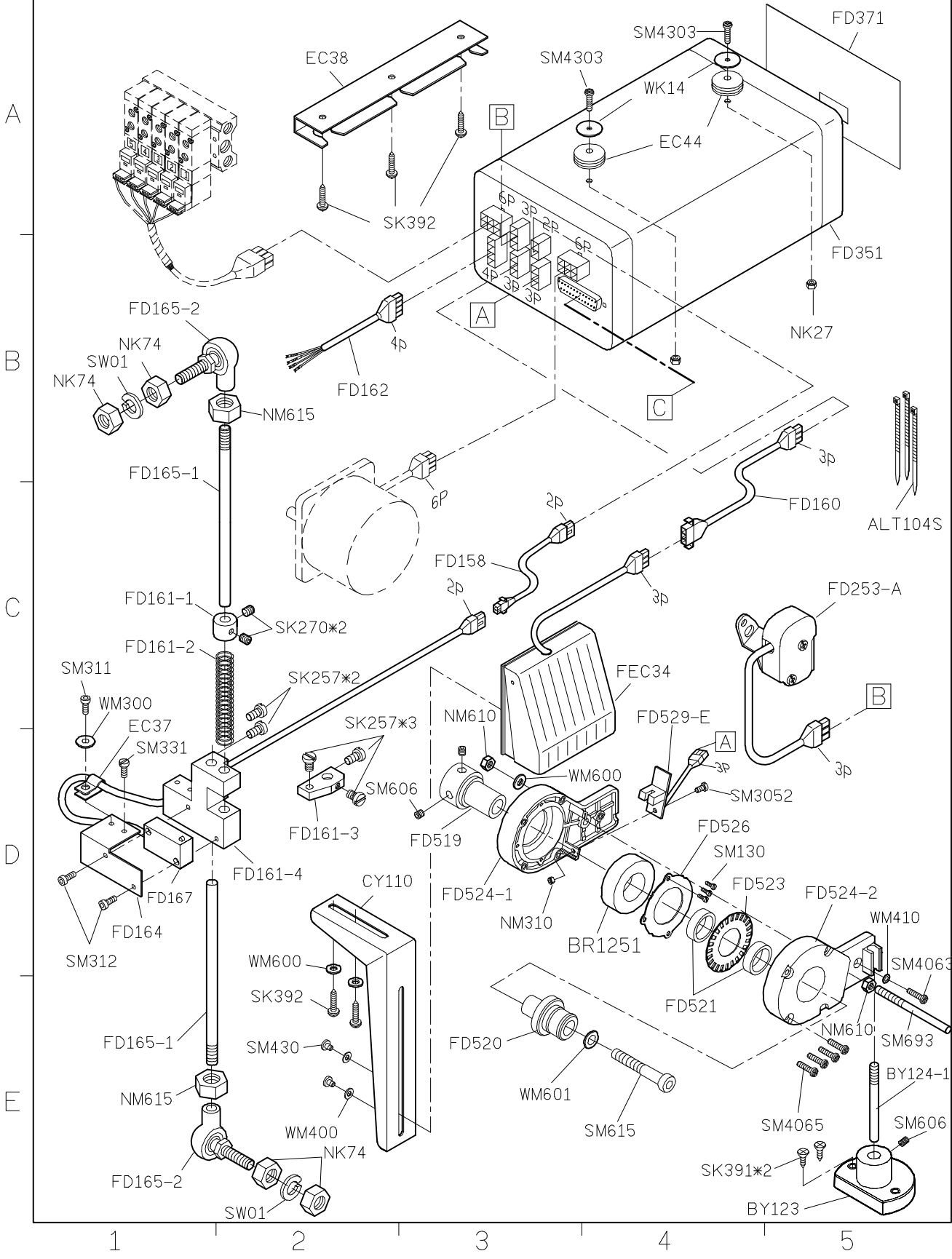
SIRUBA PARTS LIST	Series	Parts Group	Subclass Remark	Page
	700FS	LF-D3		3/8
				Date
				2012/08/21



SIRUBA PARTS LIST	Series	Parts Group	Subclass Remark	Page
	700FS	LF-D3		4/8
				Date
				2012/08/21



SIRUBA PARTS LIST	Series	Parts Group	Subclass Remark	Page
	700FS	LF-D3		5/8
				Date
				2012/08/21



SIRUBA PARTS LIST	Series	Parts Group	Subclass Remark	Page
	700FS	LF-D3		6/8
				Date
				2012/08/21

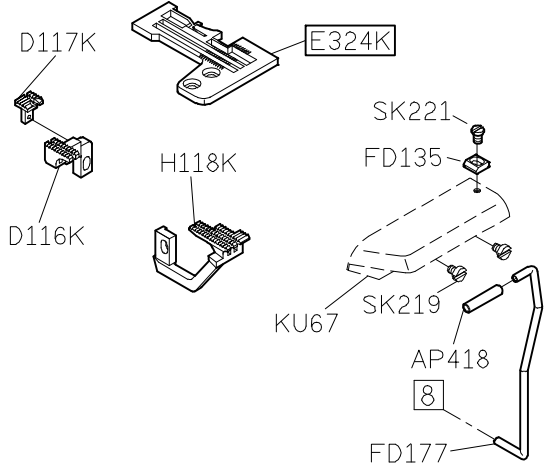
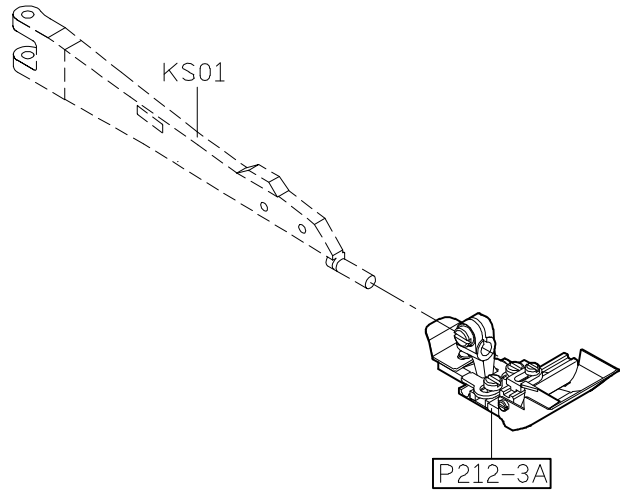
A

B

C

D

E



線別種類	針板	押具組	送料具	適用範圍 (鬆緊帶寬)
737	E324K	P212-A	D116K / D117K / H118K	1/8"~17/32"
		P212-3A	D116K / D117K / H118K	3/8"~57/64"
		P212-5A	D116K / D117K / H118K	3/4"~2 9/32"
747	E434K	P212-2A	D116K / D117K / H118K	1/8"~17/32"
		P212-4A	D116K / D117K / H118K	3/8"~57/64"
		P212-6A	D116K / D117K / H118K	3/4"~2 9/32"

1

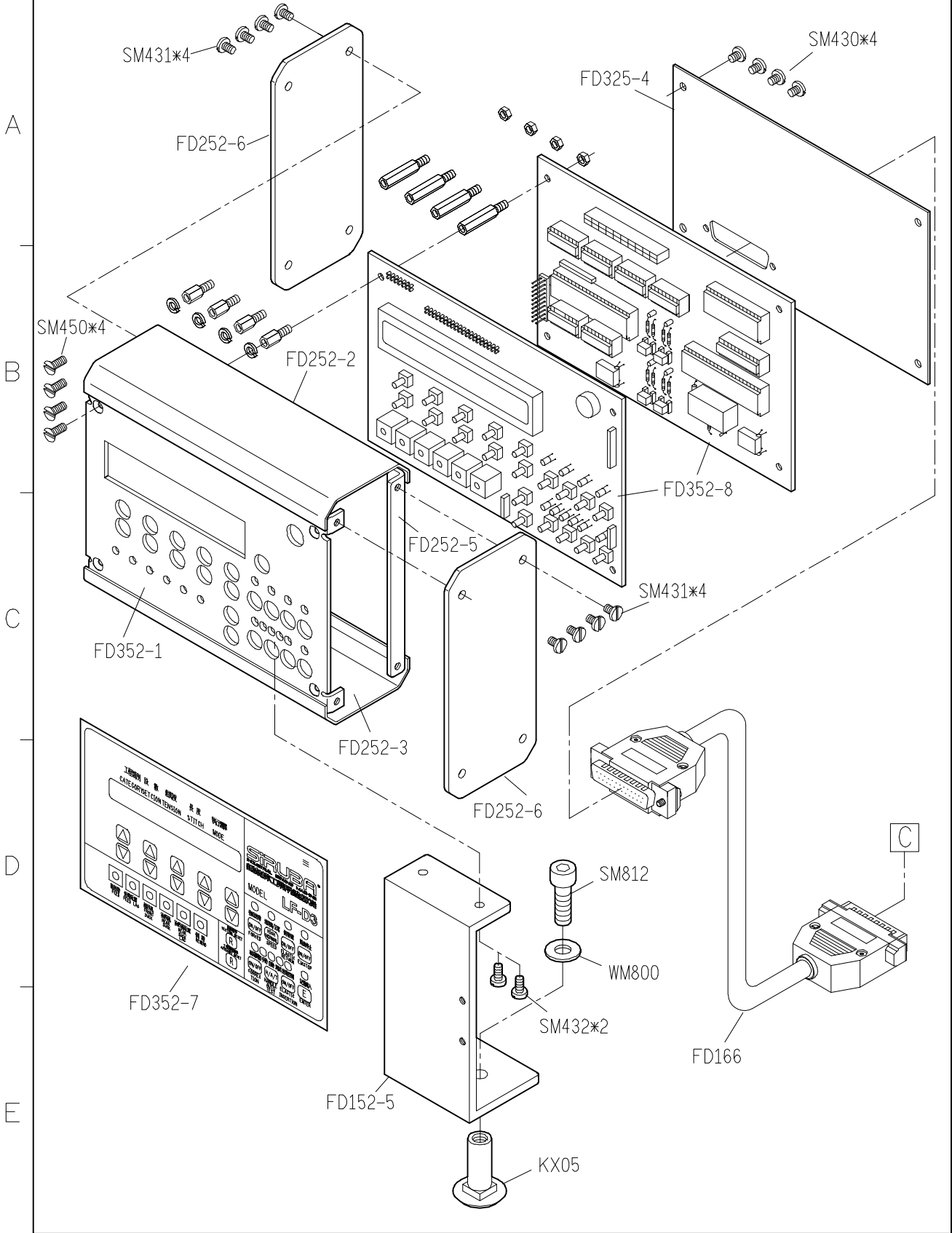
2

3

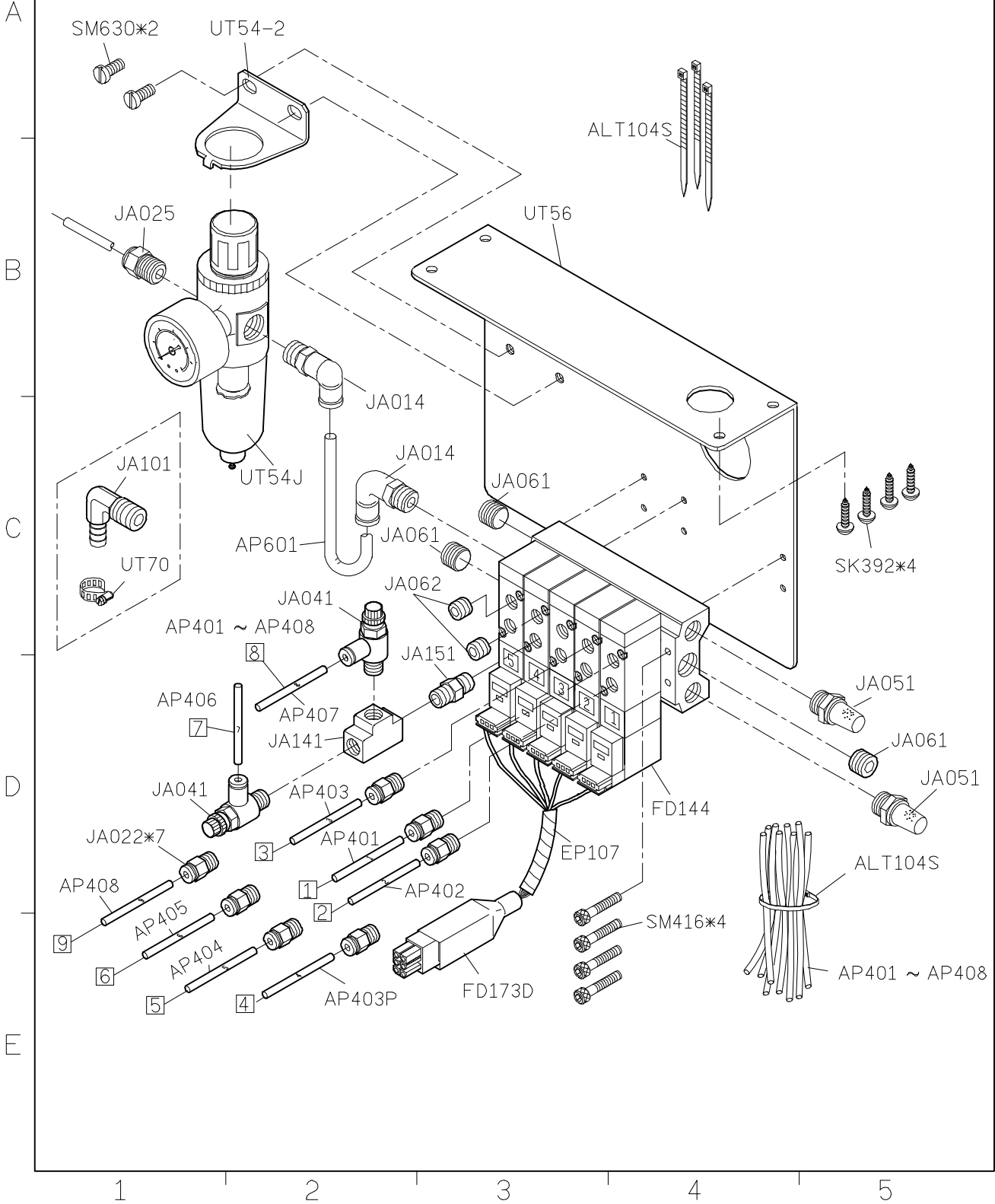
4

5

SIRUBA PARTS LIST	Series	Parts Group	Subclass Remark	Page
	700FS	LF-D3		7/8
				Date
				2012/08/21



SIRUBA PARTS LIST	Series	Parts Group	Subclass Remark	Page
	700FS	LF-D3		8/8
				Date
				2012/08/21



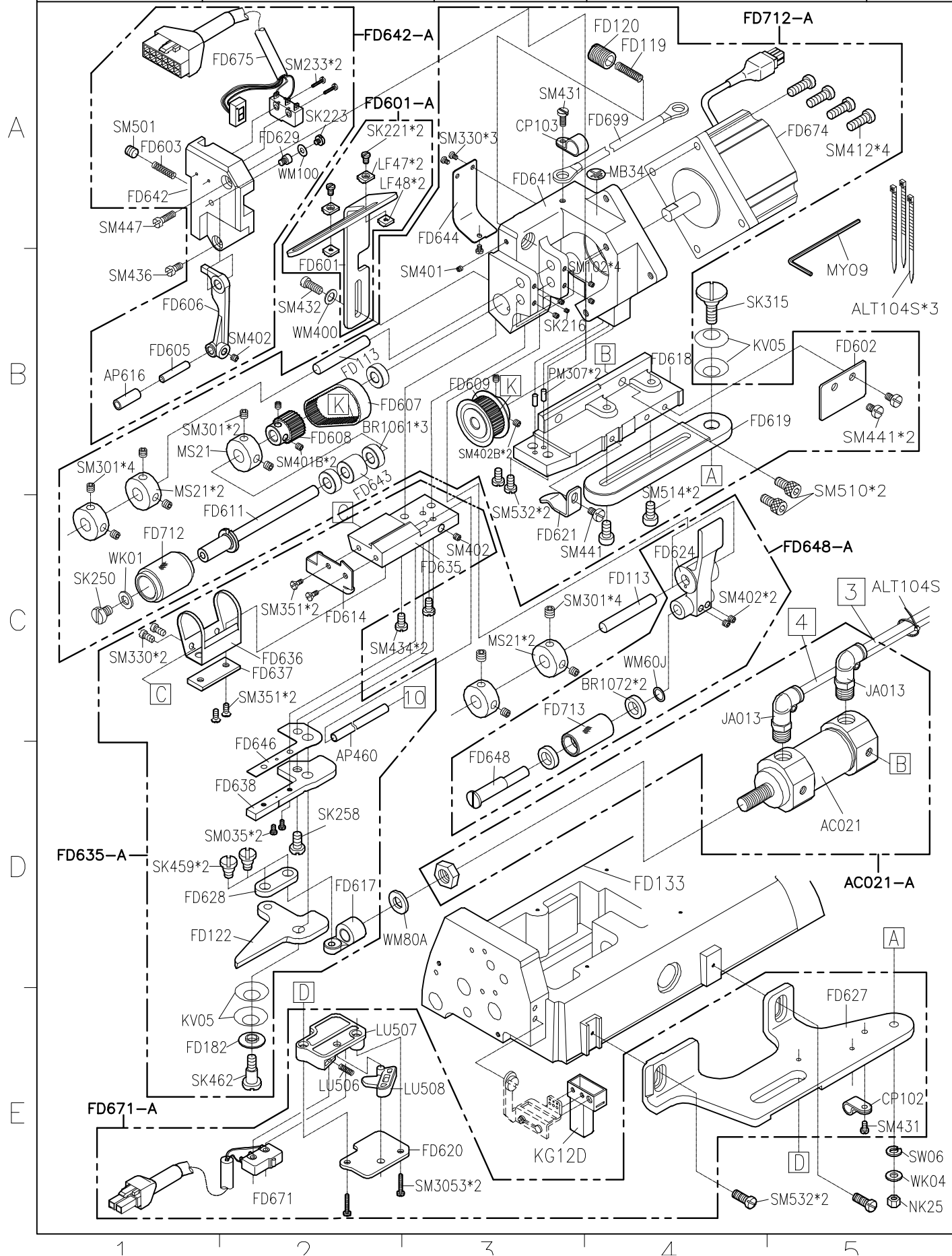
SIRUBA
PARTS LIST

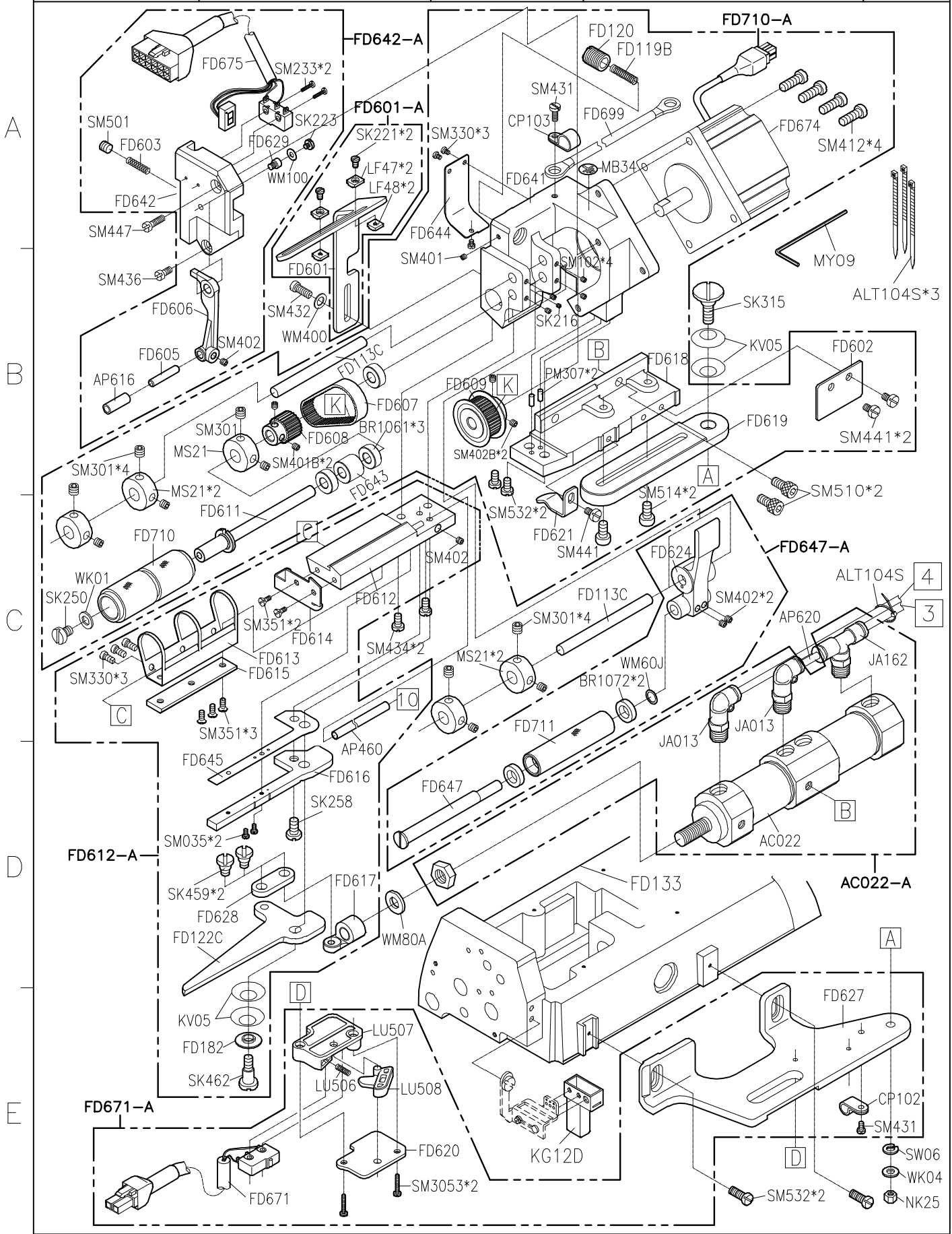
Series
700FS

Parts Group
LF-D6/A

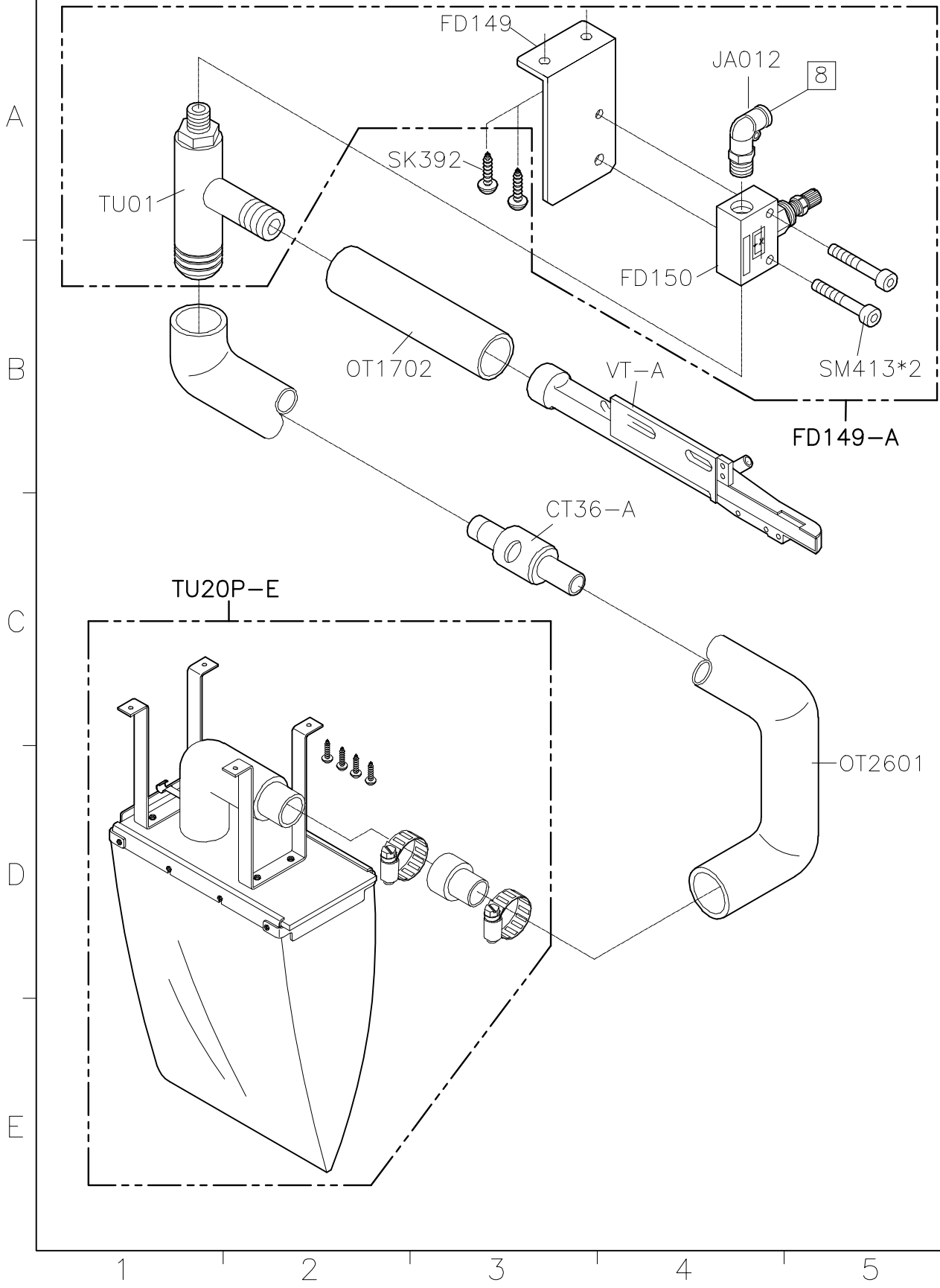
Subclass / Remark
For Short Wheel

Page
1/10
Date
2012/08/30

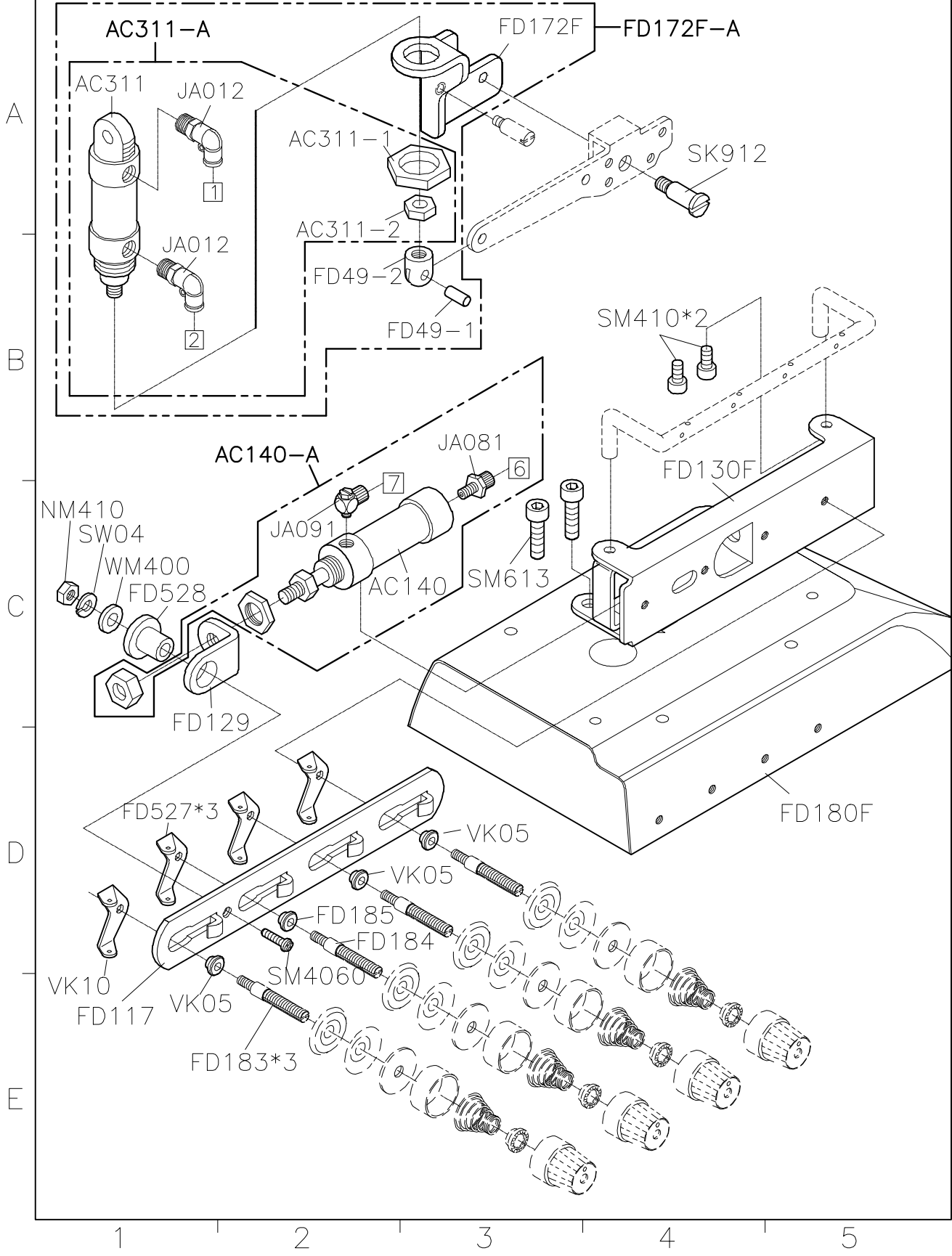




SIRUBA PARTS LIST	Series	Parts Group	Subclass / Remark	Page
	700FS	LF-D6/A		3/10
				Date
				2012/08/21



SIRUBA PARTS LIST	Series	Parts Group	Subclass / Remark	Page
	700FS	LF-D6/A		4/10
				Date
				2012/08/21



SIRUBA PARTS LIST	Series	Parts Group	Subclass / Remark	Page
	700FS	LF-D6/A		5/10
				Date
				2012/08/21

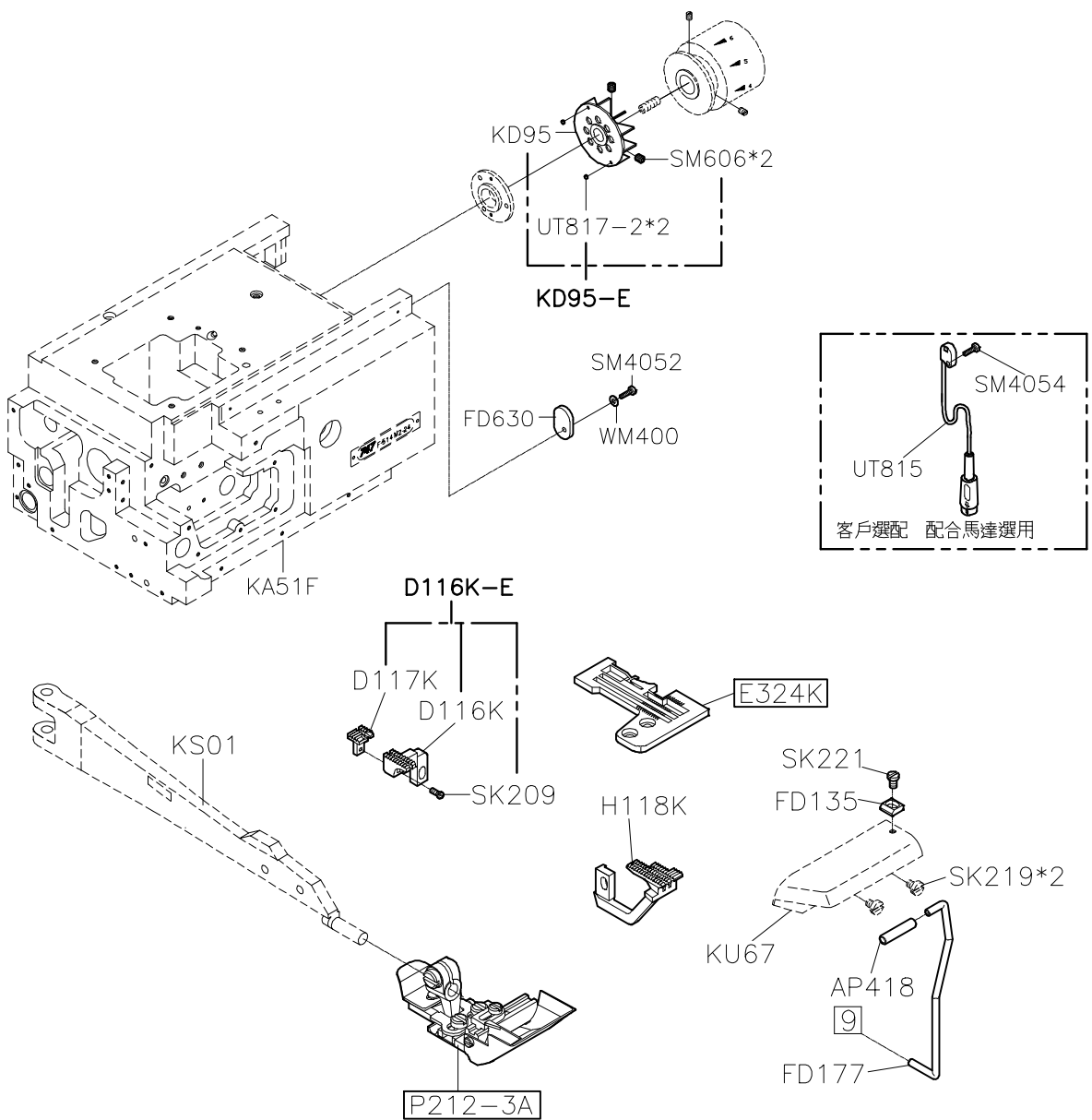
A

B

C

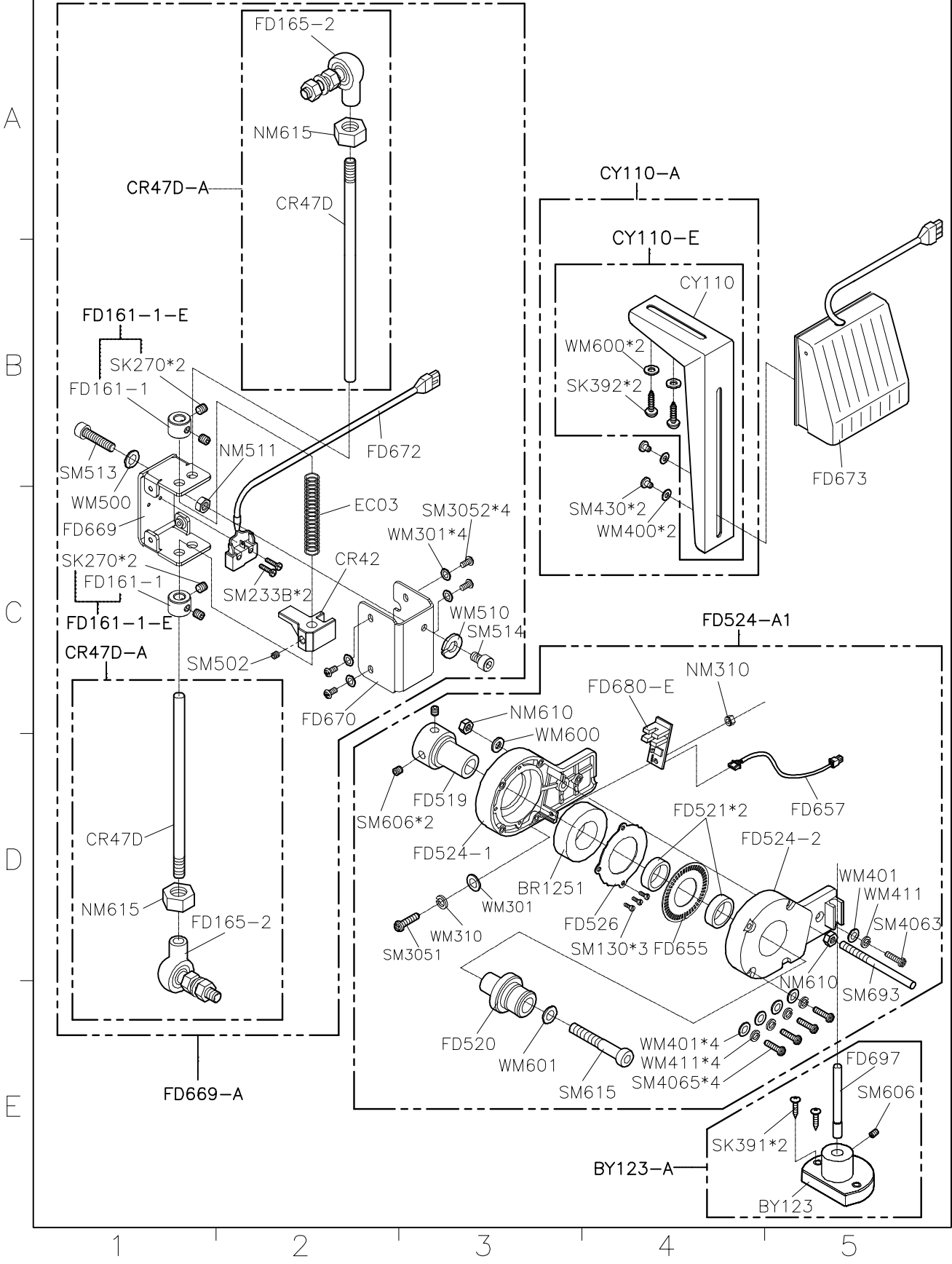
D

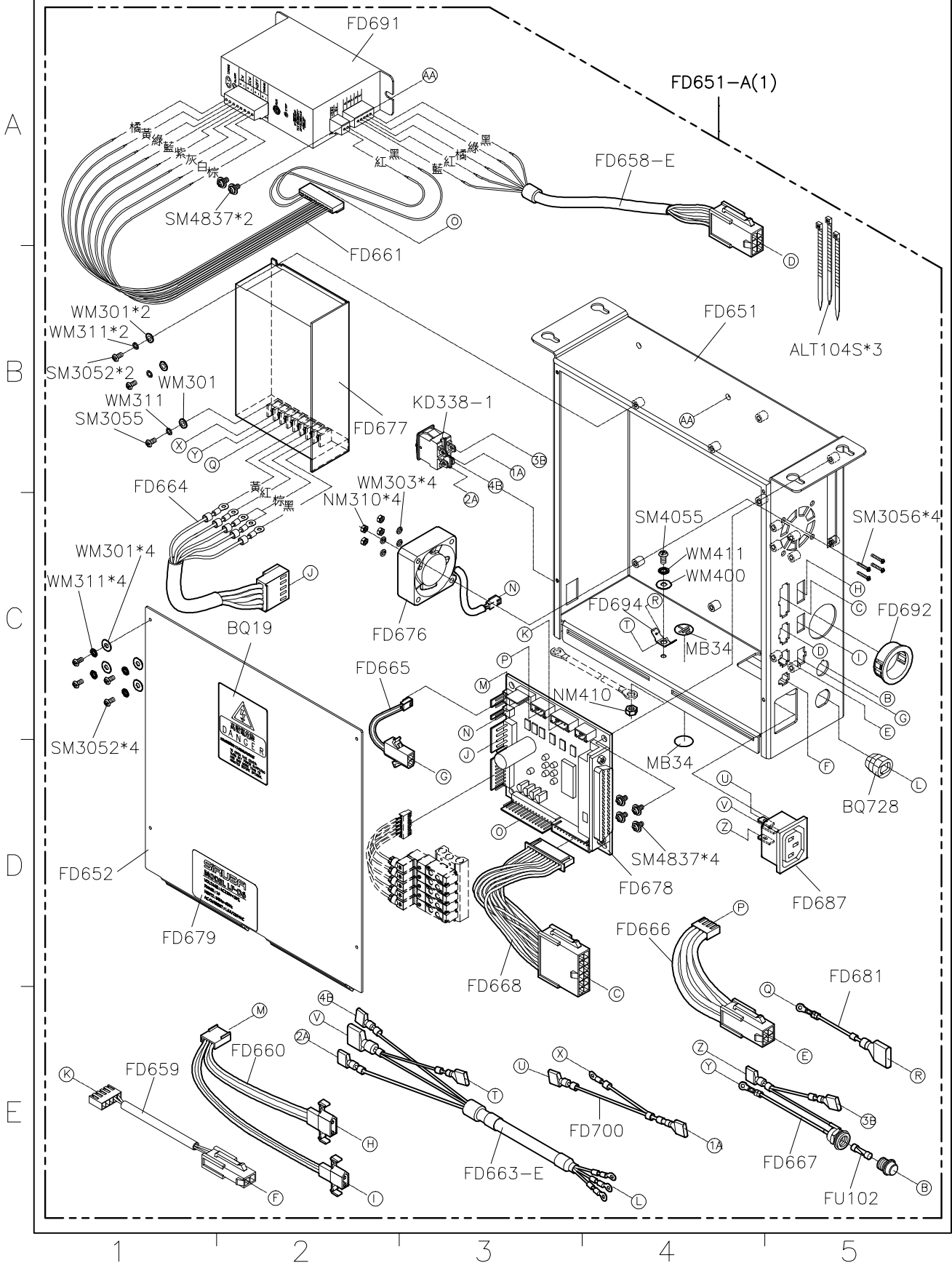
E



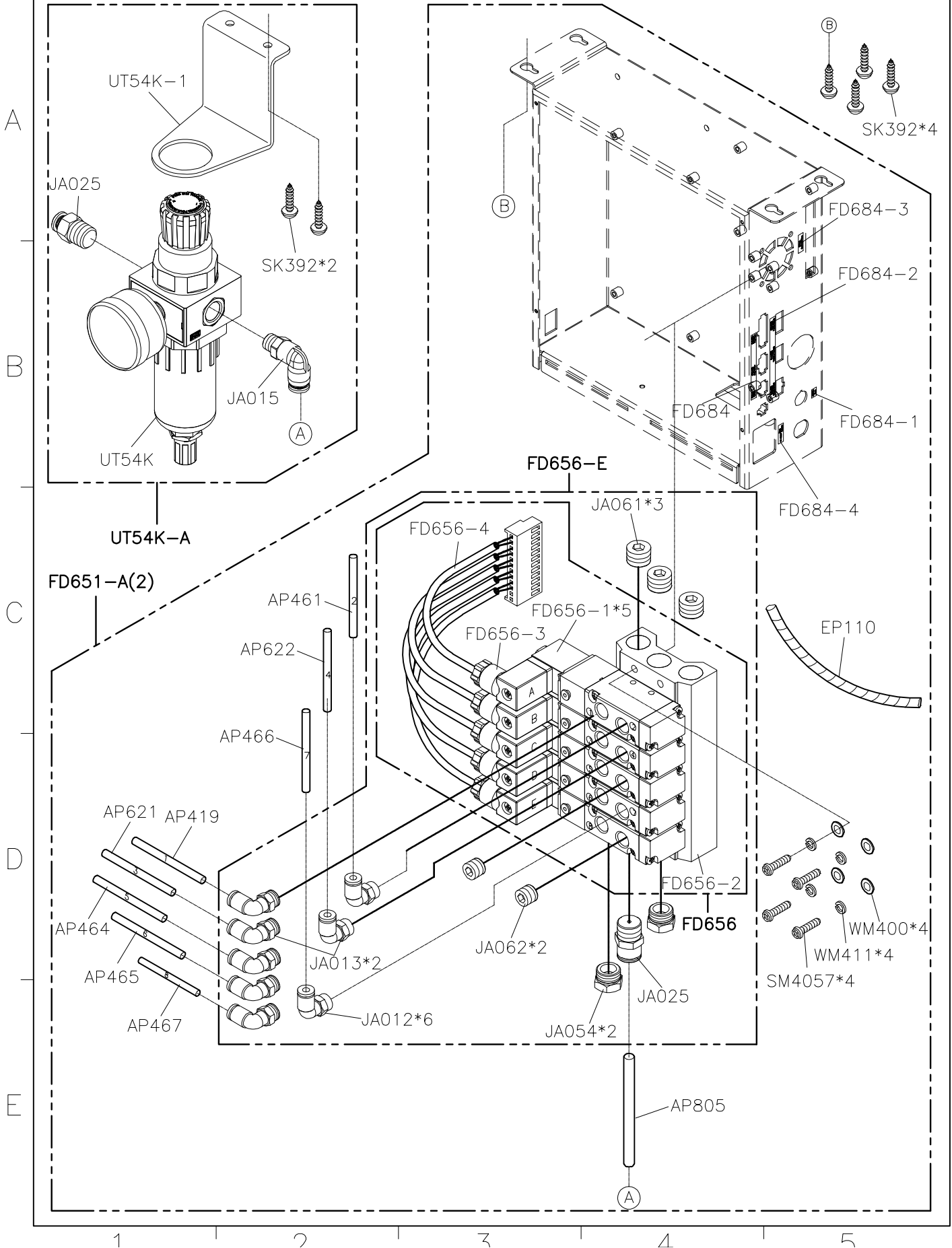
線別種類	針板	押具組	送料具	適用範圍 (鬆緊帶寬)
737	E324K	P212-A	D116K / H118K	1/8~1/2"
		P212-3A	D116K / H118K	3/8~7/8"
		P212-5A	D116K / H118K	3/4~2 1/4"
747	E434K	P212-2A	D116K / H118K	1/8~1/2"
		P212-4A	D116K / H118K	3/8~7/8"
		P212-6A	D116K / H118K	3/4~2 1/4"

SIRUBA PARTS LIST	Series	Parts Group	Subclass / Remark	Page
	700FS	LF-D6/A		6/10
				Date
				2012/08/21

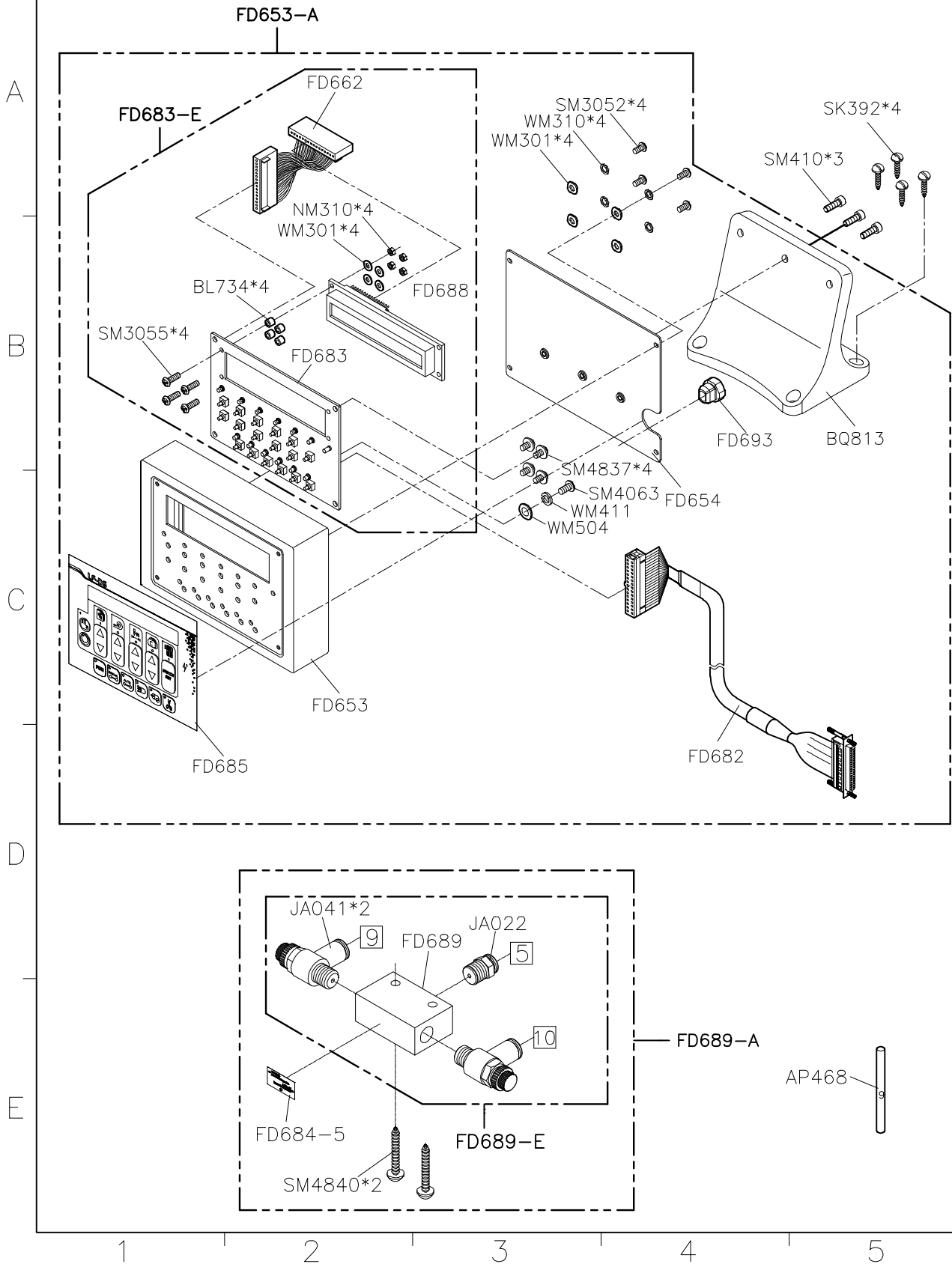




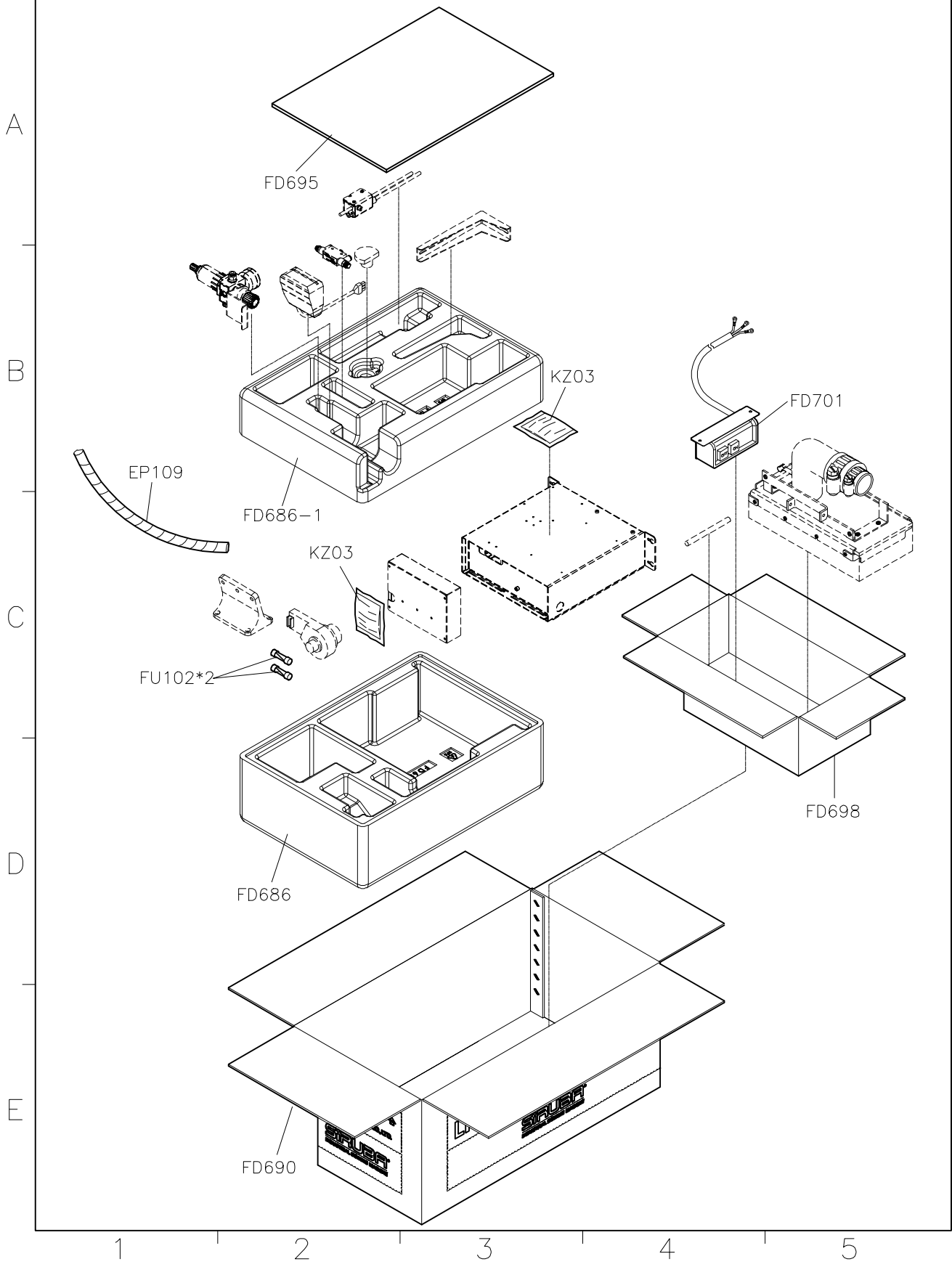
SIRUBA PARTS LIST	Series	Parts Group	Subclass / Remark	Page
	700FS	LF-D6/A		8/10
				Date
				2012/09/18



SIRUBA PARTS LIST	Series	Parts Group	Subclass / Remark	Page
	700FS	LF-D6/A		9/10
				Date
				2012/08/21



SIRUBA PARTS LIST	Series	Parts Group	Subclass / Remark	Page
	700FS	LF-D6/A		10/10
				Date
				2012/08/21



SIRUBA PARTS LIST	Series	Parts Group	Subclass Remark	Page
	700FS	RLS		1/1
				Date
				2012/08/21

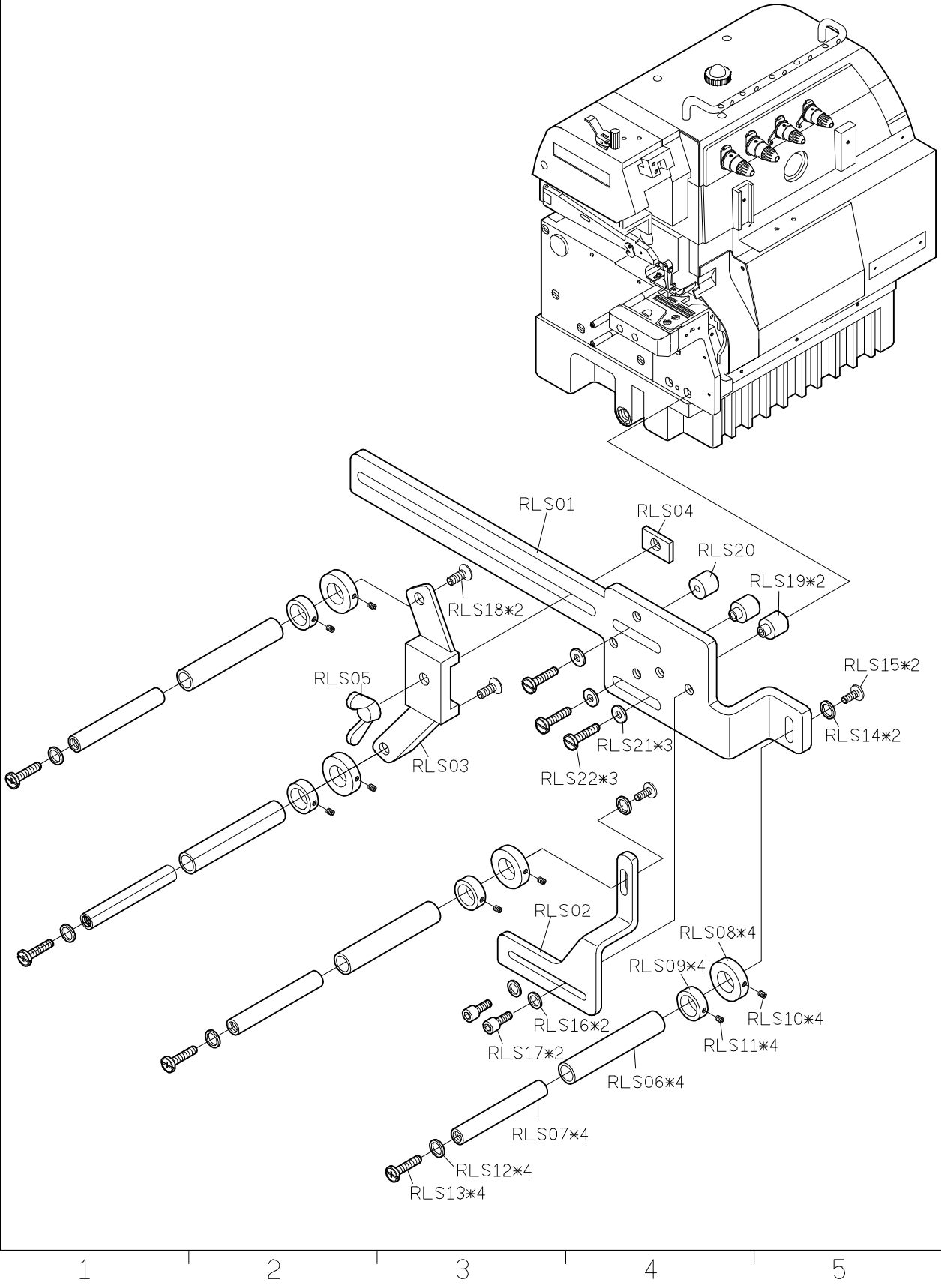
A

B

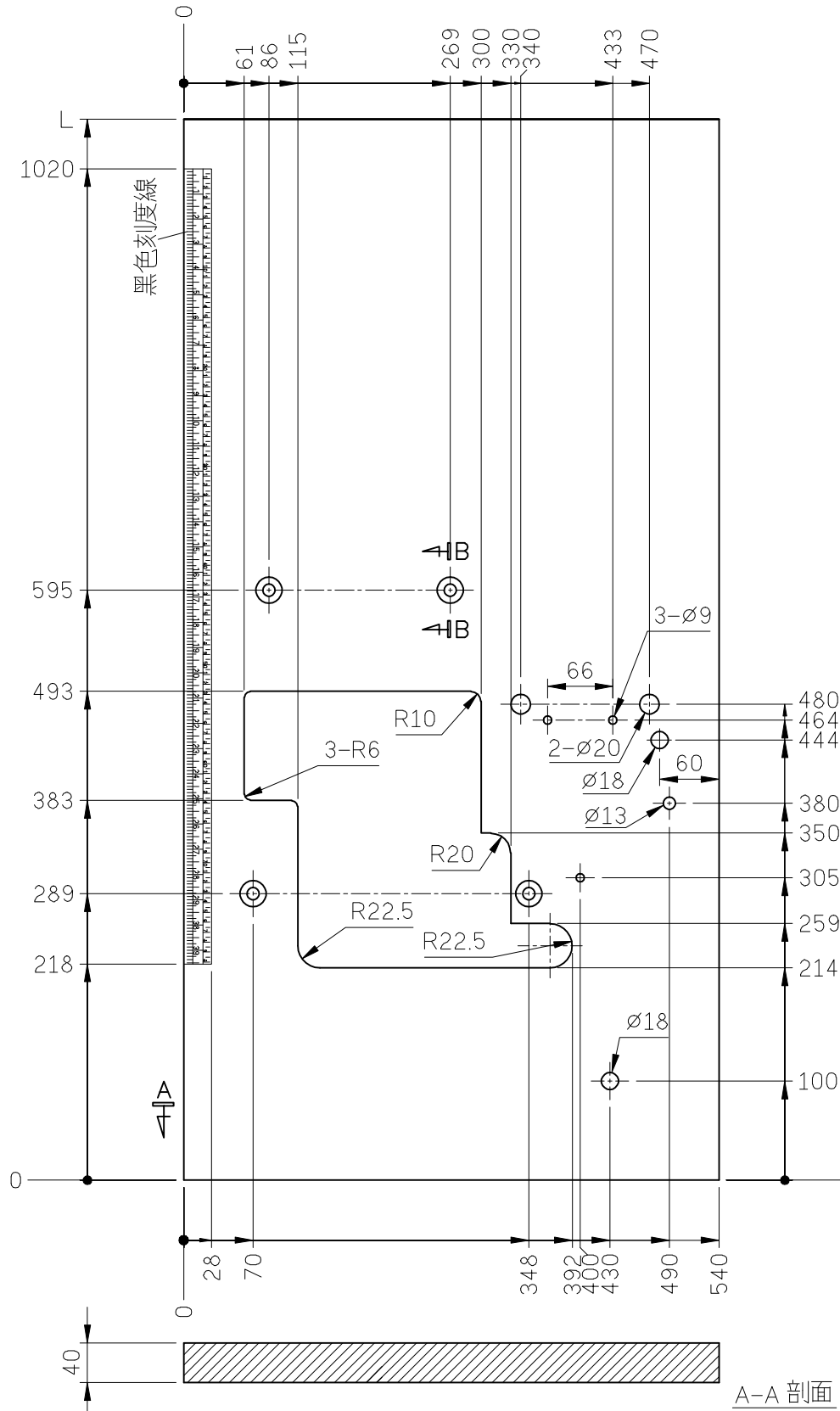
C

D

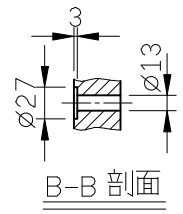
E



SIRUBA TABLE CUT - OUT	Series	Item Code	Subclass Remark	Mounting
	700FS	747FS-T1	UNIT: mm TOLERANCE: ±2 For FS	Semi-submerged
				Date
				2012/06/21



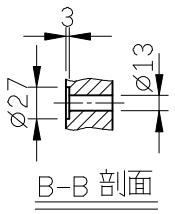
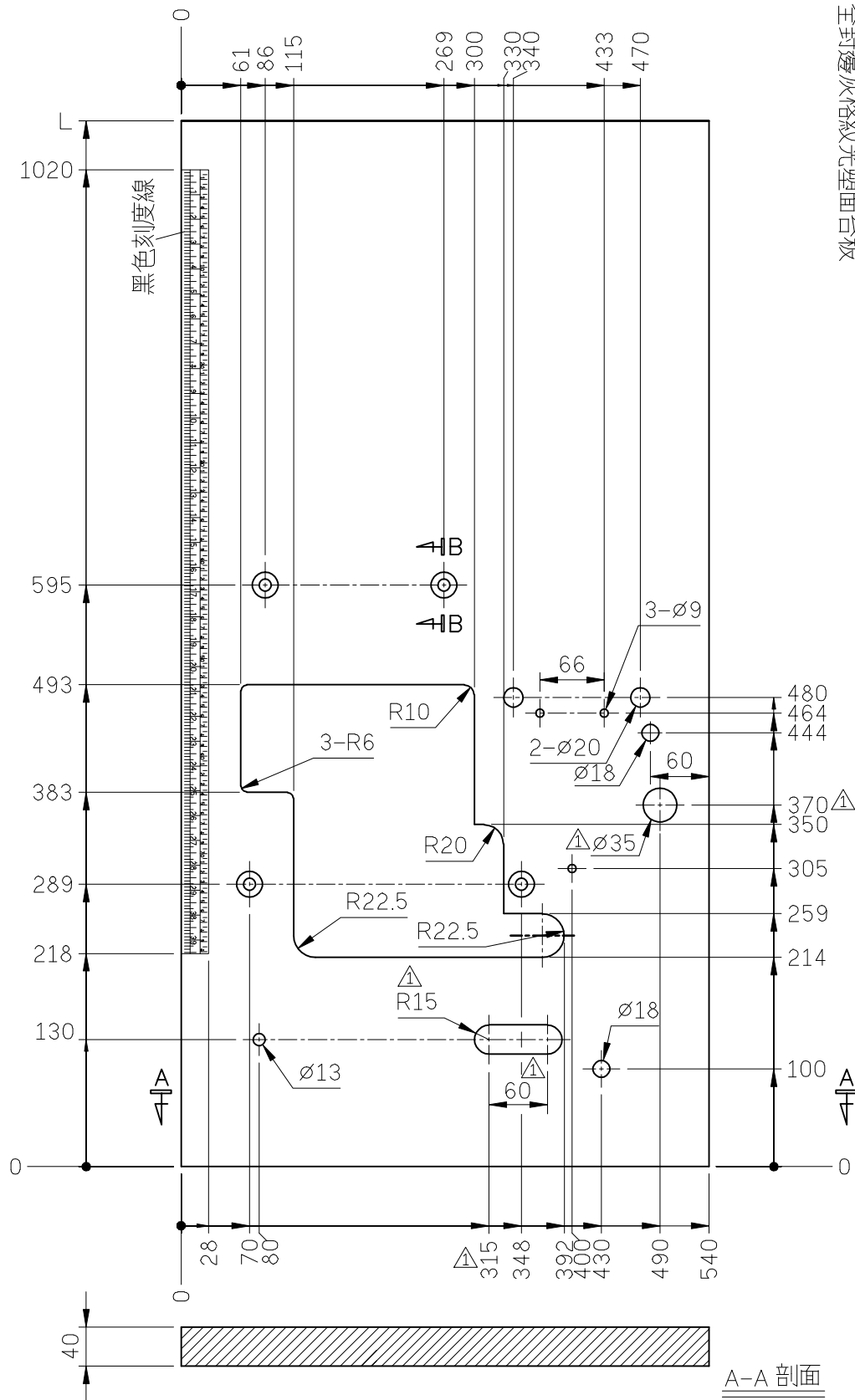
FOR 747FS-T1 桌板圖
 TABLE CUT-OUT SEMI-SUBMERGED
 單位/UNIT:mm
 所有尺寸公差/DIFFERENCE:±2
 747FS-T1-1070 長度(L):1070/重量:10.5kg±5%
 747FS-T1 長度(L):1200/重量:11.6kg±5%
 全封邊灰格紋光塑面台板



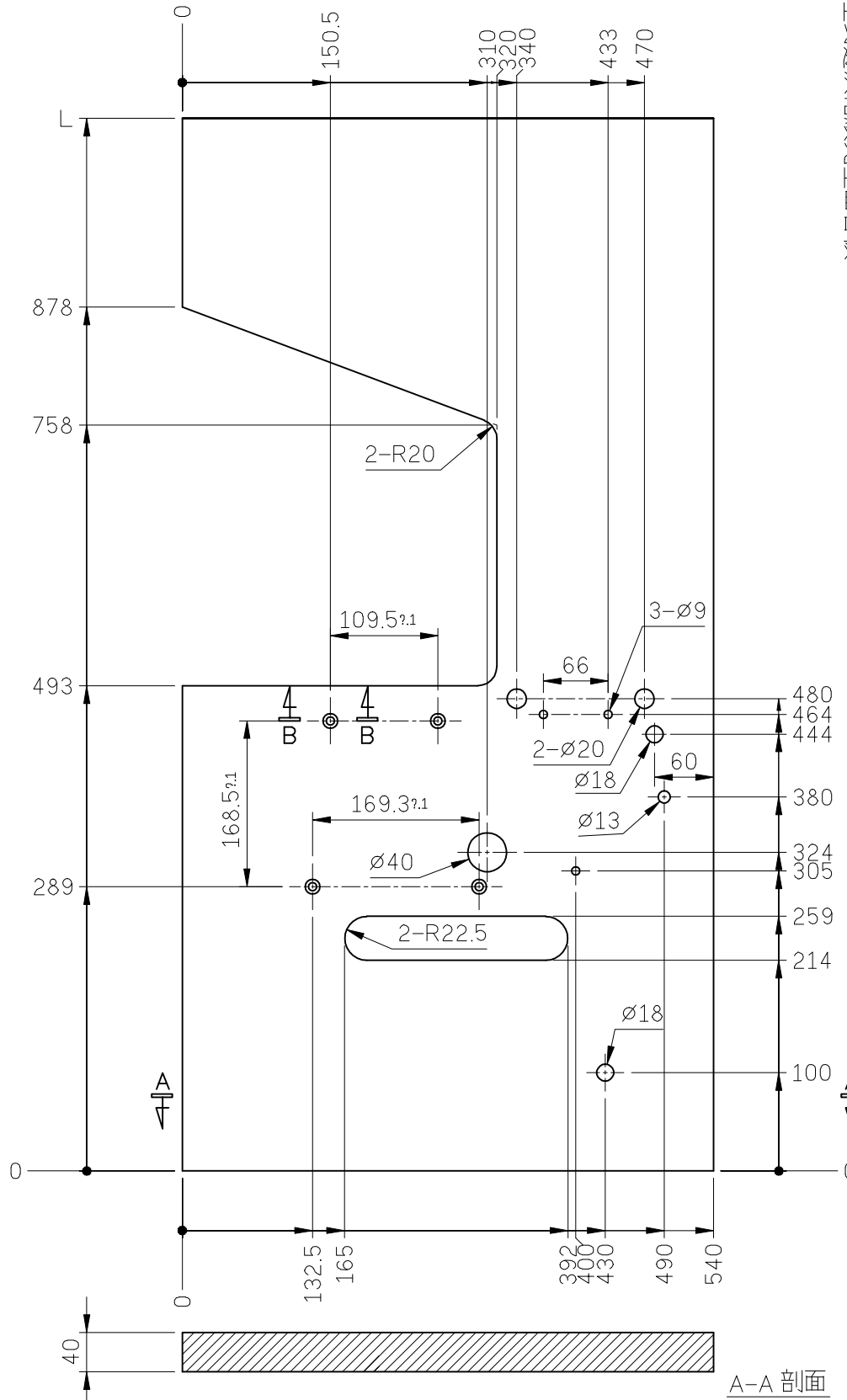
A-A 剖面

SIRUBA TABLE CUT - OUT	Series	Item Code	Subclass Remark	Mounting
	700FS	747FS-T2	UNIT: mm TOLERANCE: ±2 For FS	Semi-submerged
				Date
				2012/06/21

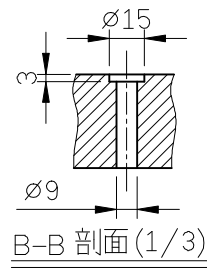
FOR 747FS-T2 桌板圖
TABLE CUT-OUT SEMI-SUBMERGED
單位/UNIT:mm
所有尺寸公差/DIFFERENCE:±2
747FS-T2-1070 長度(L):1070/重量:10.5kg±5%
747FS-T2 長度(L):1200/重量:11.6kg±5%
全封邊灰格紋光塑面台板



SIRUBA TABLE CUT - OUT	Series	Item Code	Subclass Remark	Mounting
	700FS	747FS-T3	UNIT: mm TOLERANCE: ±2 For FS	Non-submerged
				Date
				2012/06/21



FOR 747FS-T3 桌板圖
TABLE CUT-OUT SEMI-SUBMERGED
單位/UNIT:mm
所有尺寸公差/DIFFERENCE:±2
747FS-T3-1070 長度(L):1070/重量:11.2kg±5%
747FS-T3 長度(L):1200/重量:11.2kg±5%
全封邊灰格紋光塑面台板



A-A 剖面

SIRUBA TABLE CUT - OUT	Series	Item Code	Subclass Remark	Mounting
	700FS	747S-T5	UNIT: mm TOLERANCE: ±2 For FS	Non-submerged
				Date
				2012/06/21

