

**SIRUBA**

PARTS LIST

Series  
C007K/C007KD  
C007JP/C007KP  
C858K

Parts Group  
**MG-K**

Subclass / Remark

Page

1/1

Date

2017/10/26

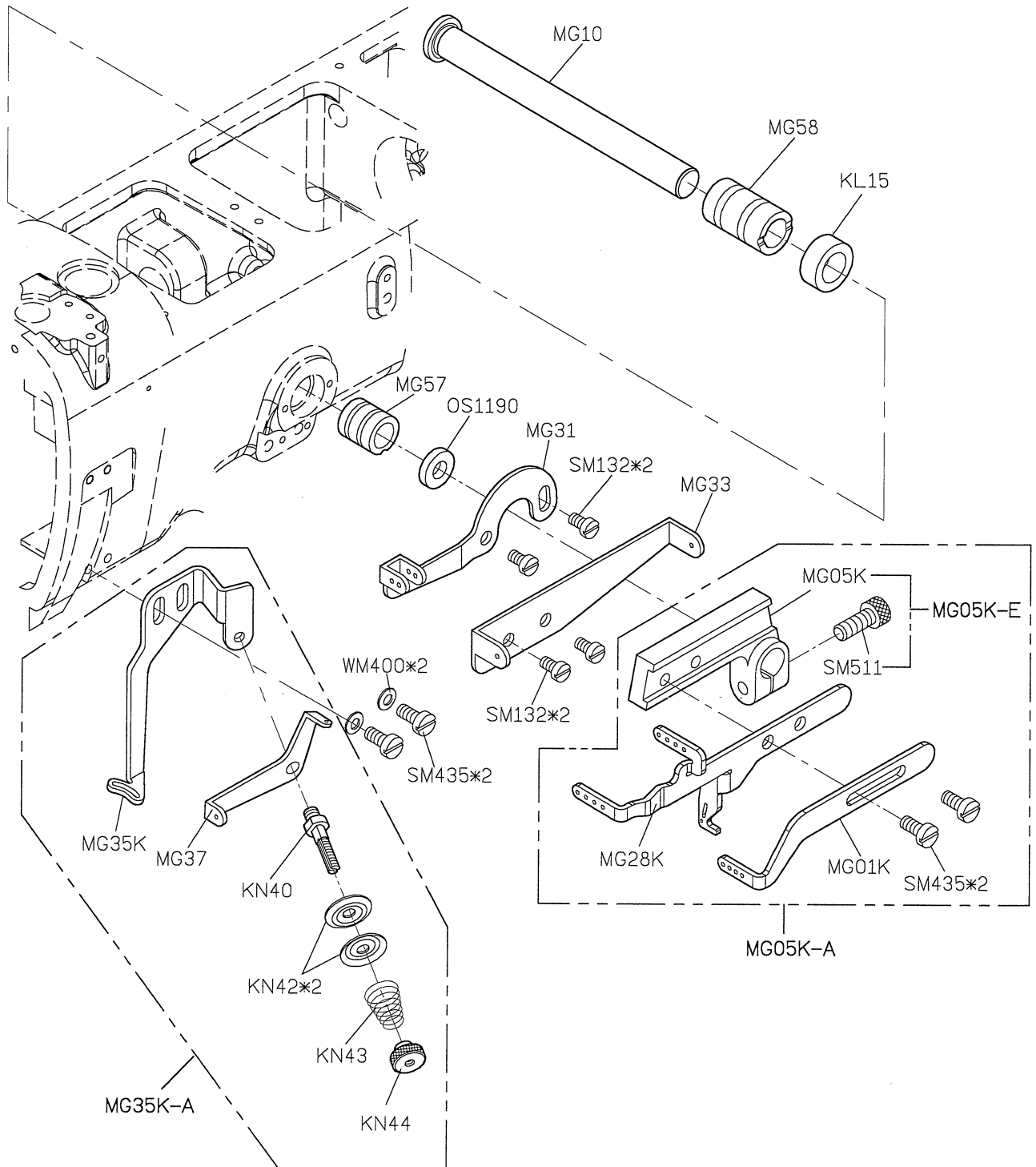
A

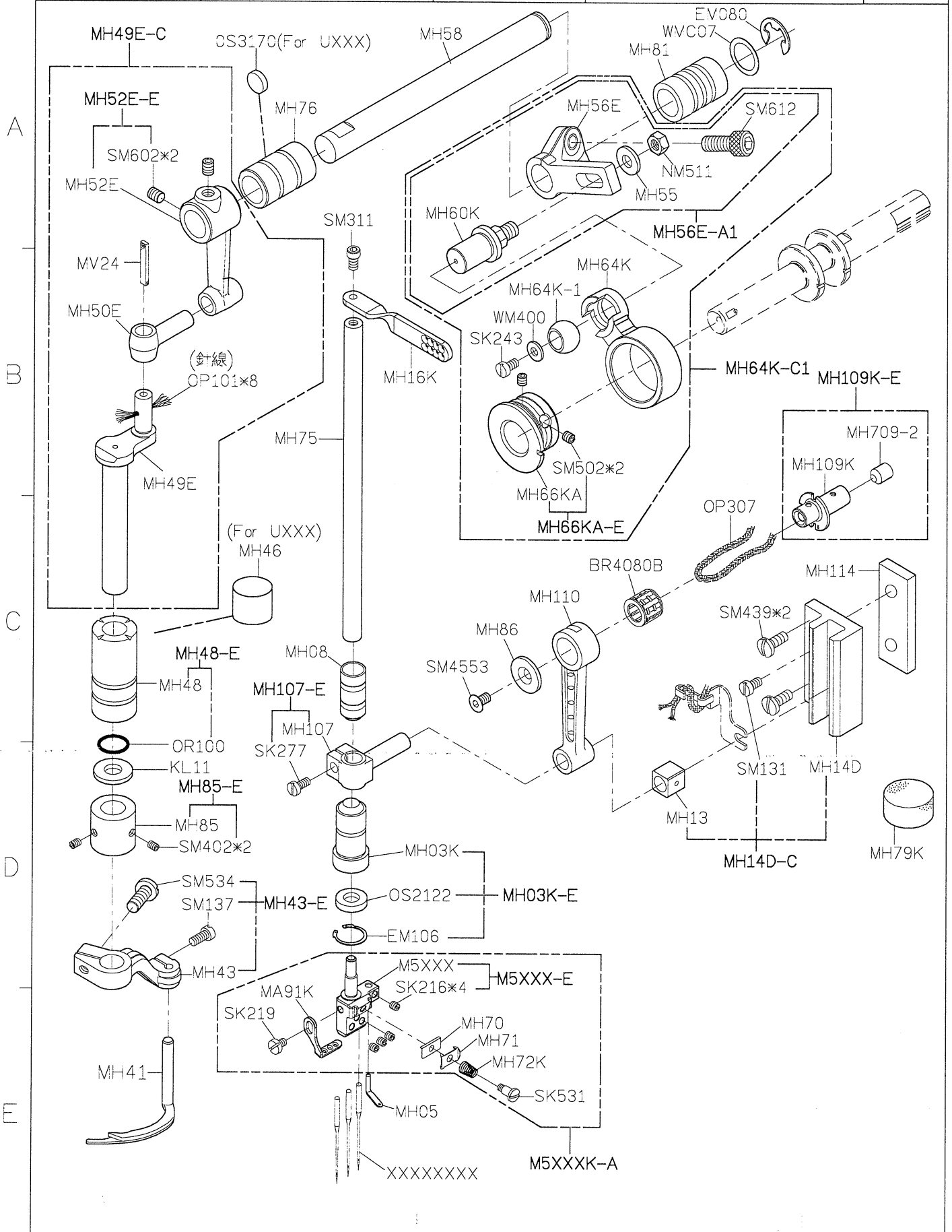
B

C

D

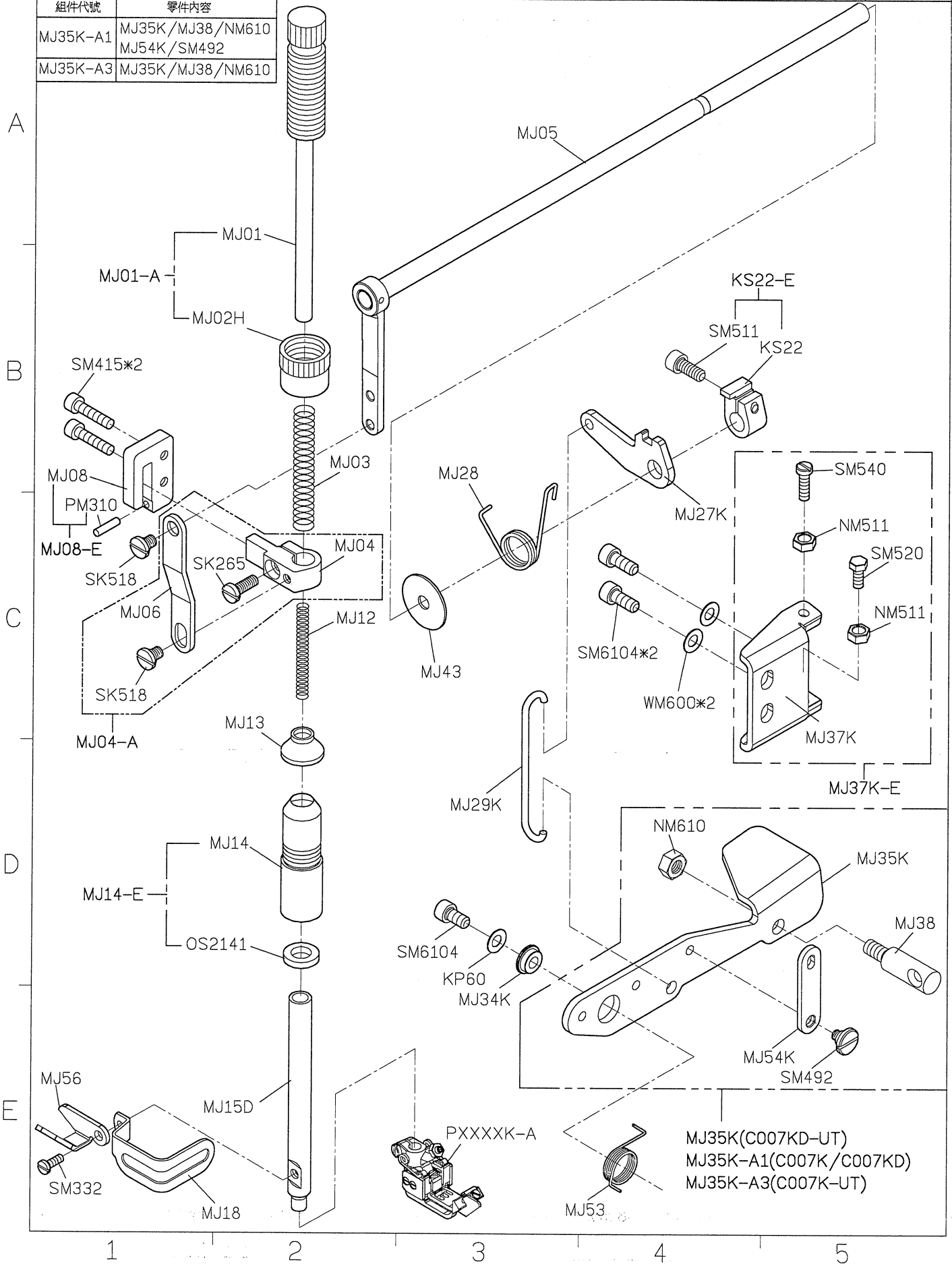
E



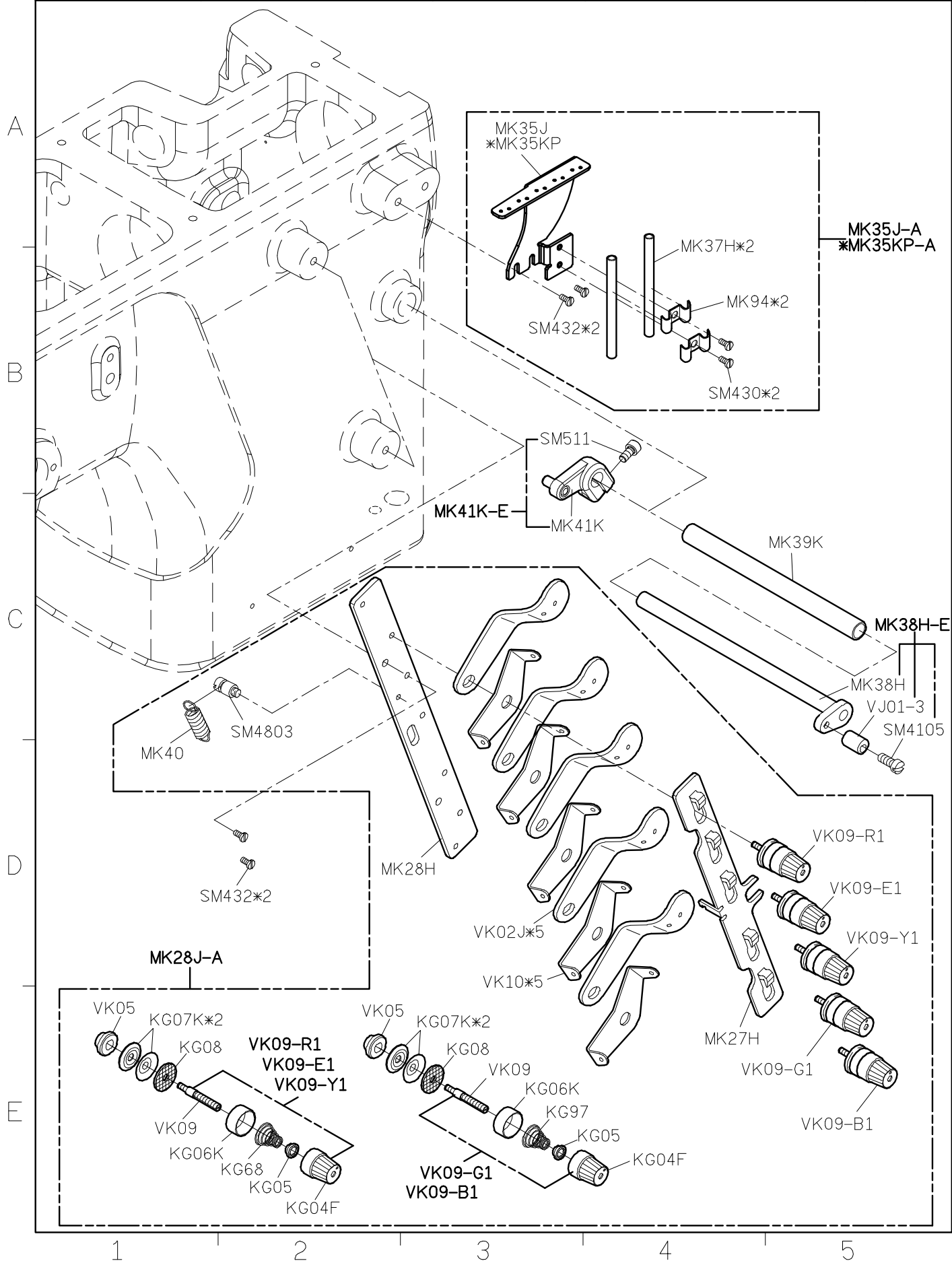


<b>SIRUBA</b> PARTS LIST	Series	Parts Group	Subclass / Remark	Page
	C007K/C007KD C007JP/C007KP C858K	<b>MJ-K</b>		1/1
				Date
				2018/10/30

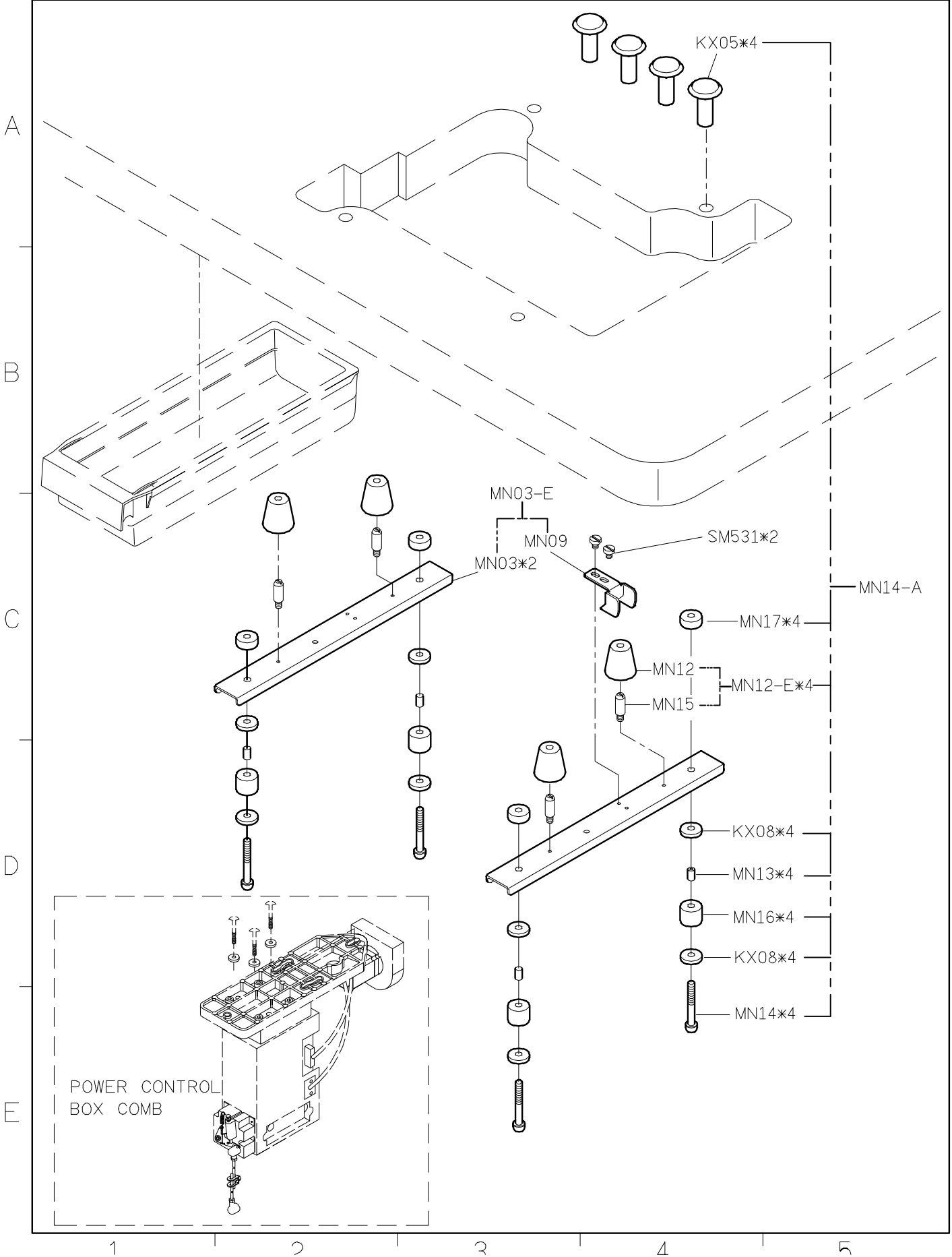
組件代號	零件內容
MJ35K-A1	MJ35K/MJ38/NM610 MJ54K/SM492
MJ35K-A3	MJ35K/MJ38/NM610



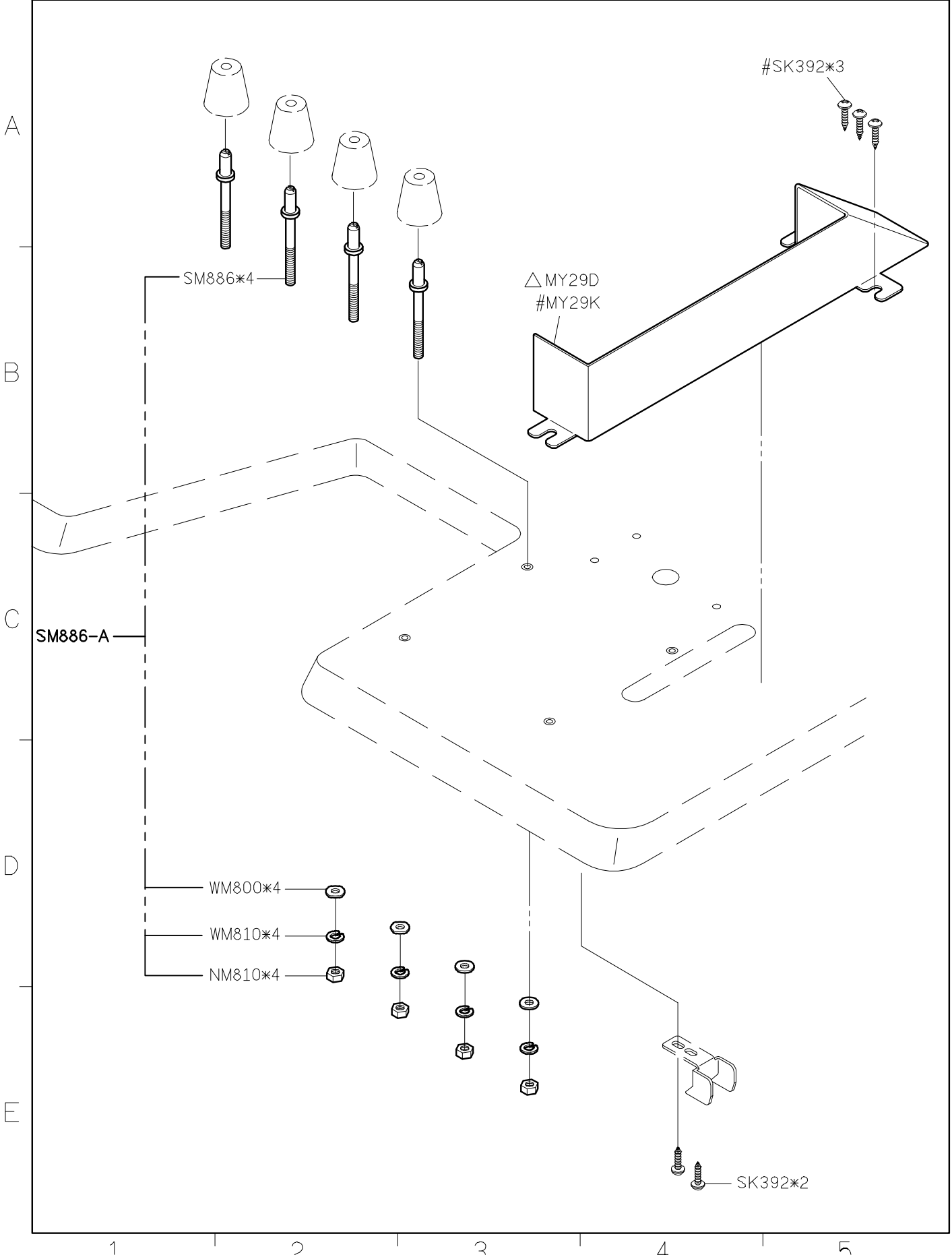
SIRUBA PARTS LIST	Series	Parts Group	Subclass / Remark	Page
	C007K/C007KD C007JP/C007KP C858K	MK-K	*:Use for C007KP	1/1
				Date 2020/3/20



SiRUBA PARTS LIST	Series	Parts Group	Subclass / Remark	Page
	C007K/C007KD	MN-K		1/3
	C007JP/C007KP			Date
	C858K			2019/08/08

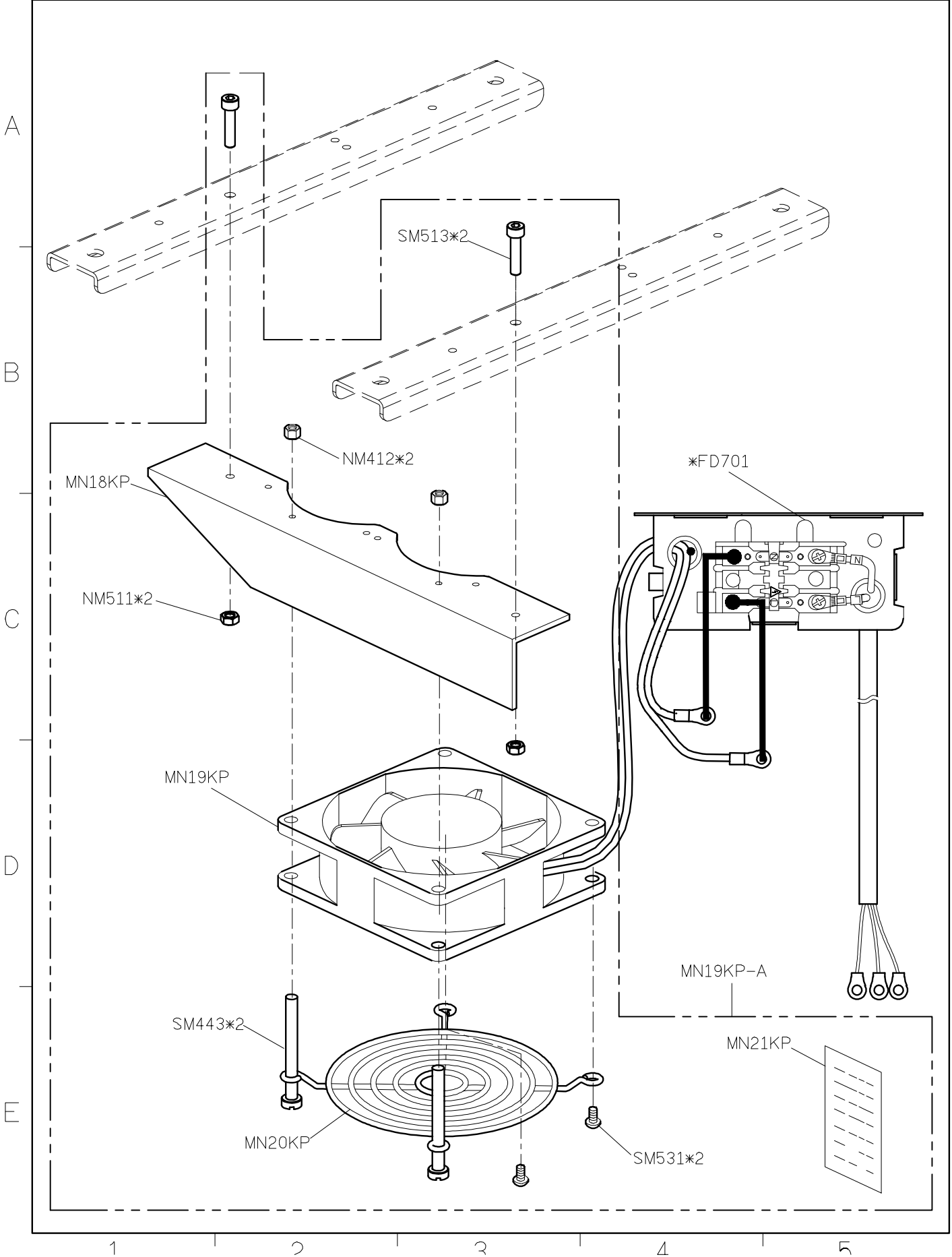


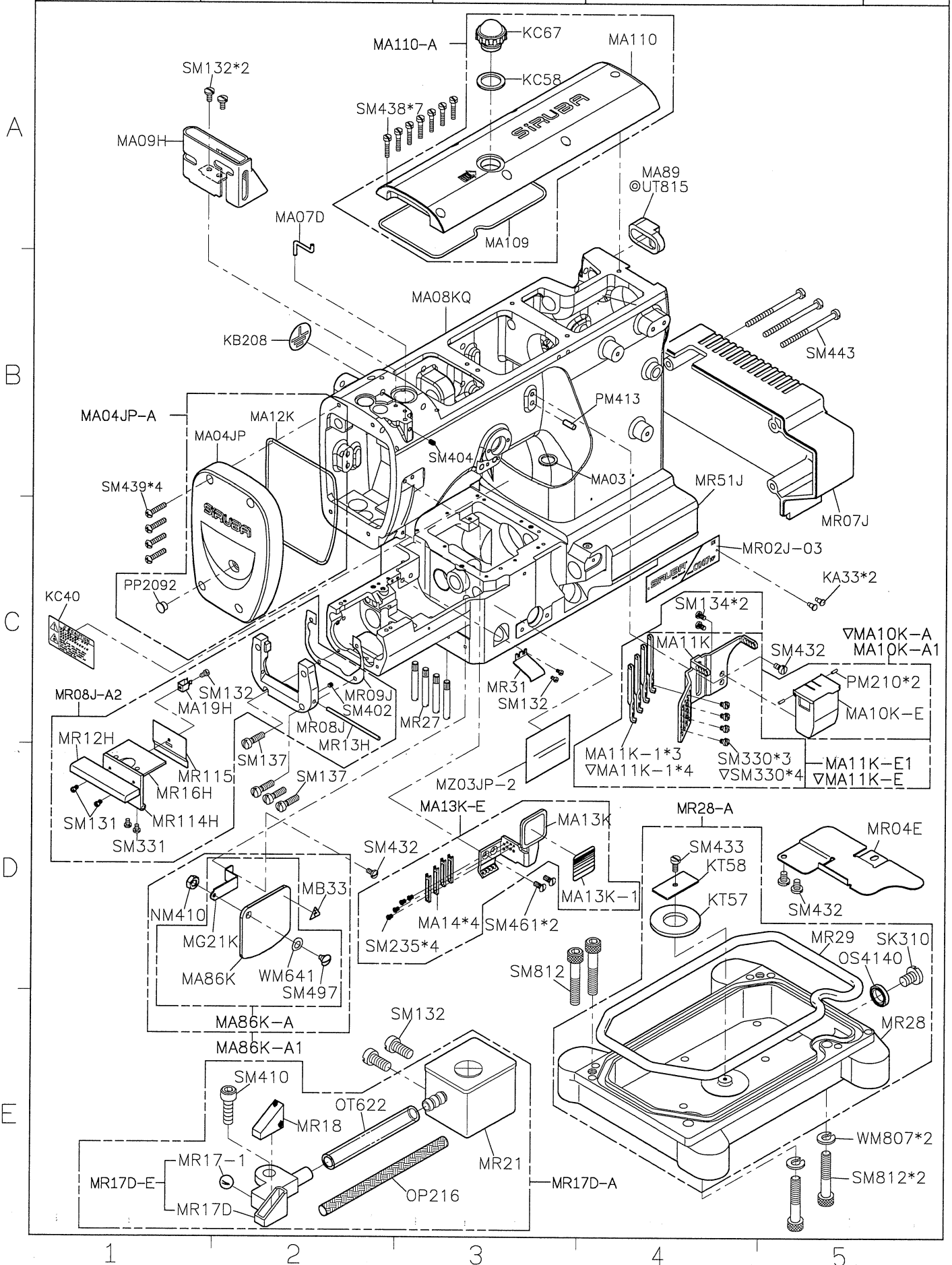
SIRUBA PARTS LIST	Series	Parts Group	Subclass / Remark	Page
	C007K/C007KD	MN-K	△ Use for C007JP	2/3
	C007JP/C007KP			Date
	C858K			2019/08/08





SIRUBA PARTS LIST	Series	Parts Group	Subclass / Remark	Page
	C007KP	MN-K	*Use For Direct-Drive Motor (P牌 /U牌)	3/3
				Date
				2019/09/18





選配件

PARTS NO. MQ42

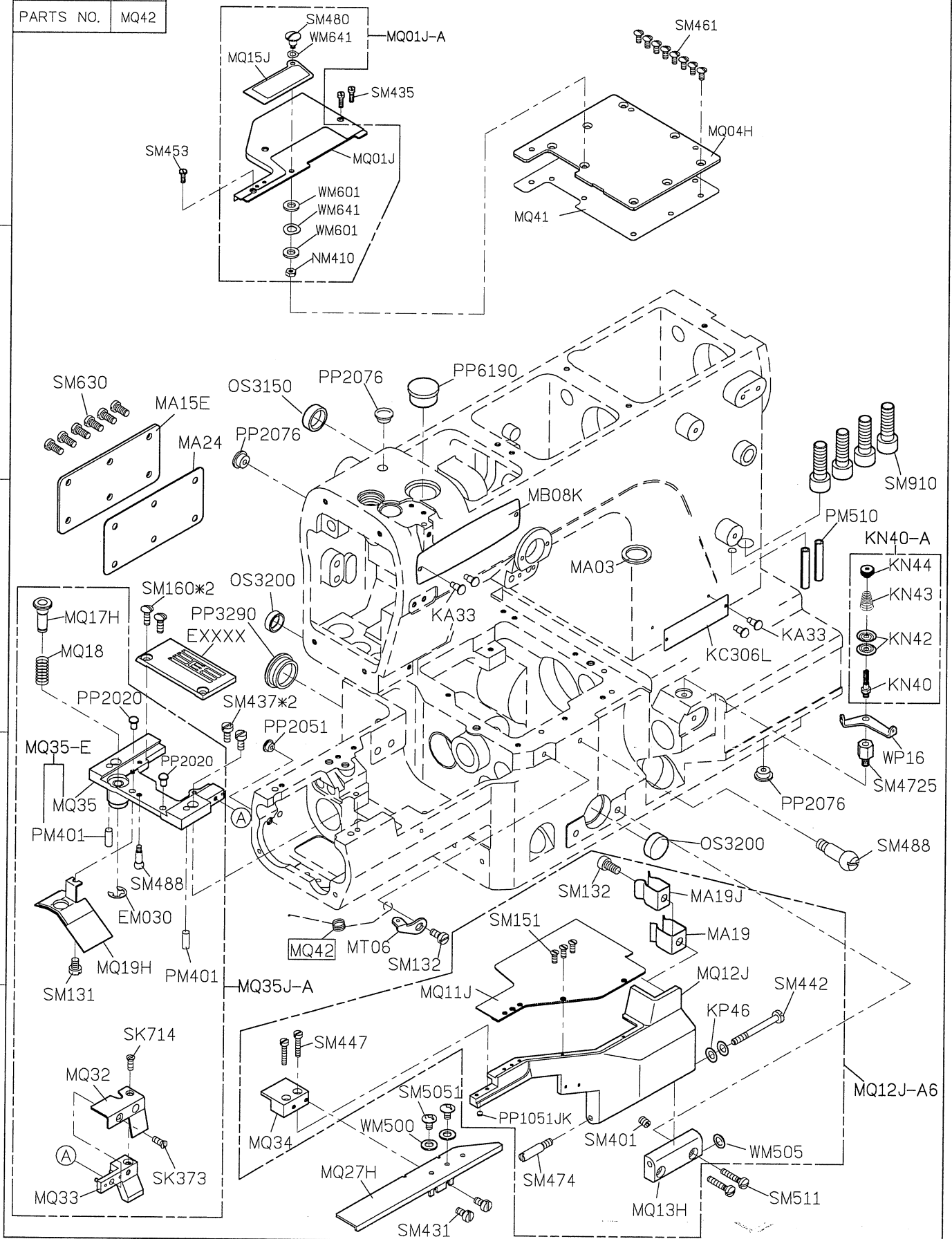
A

B

C

D

E



1

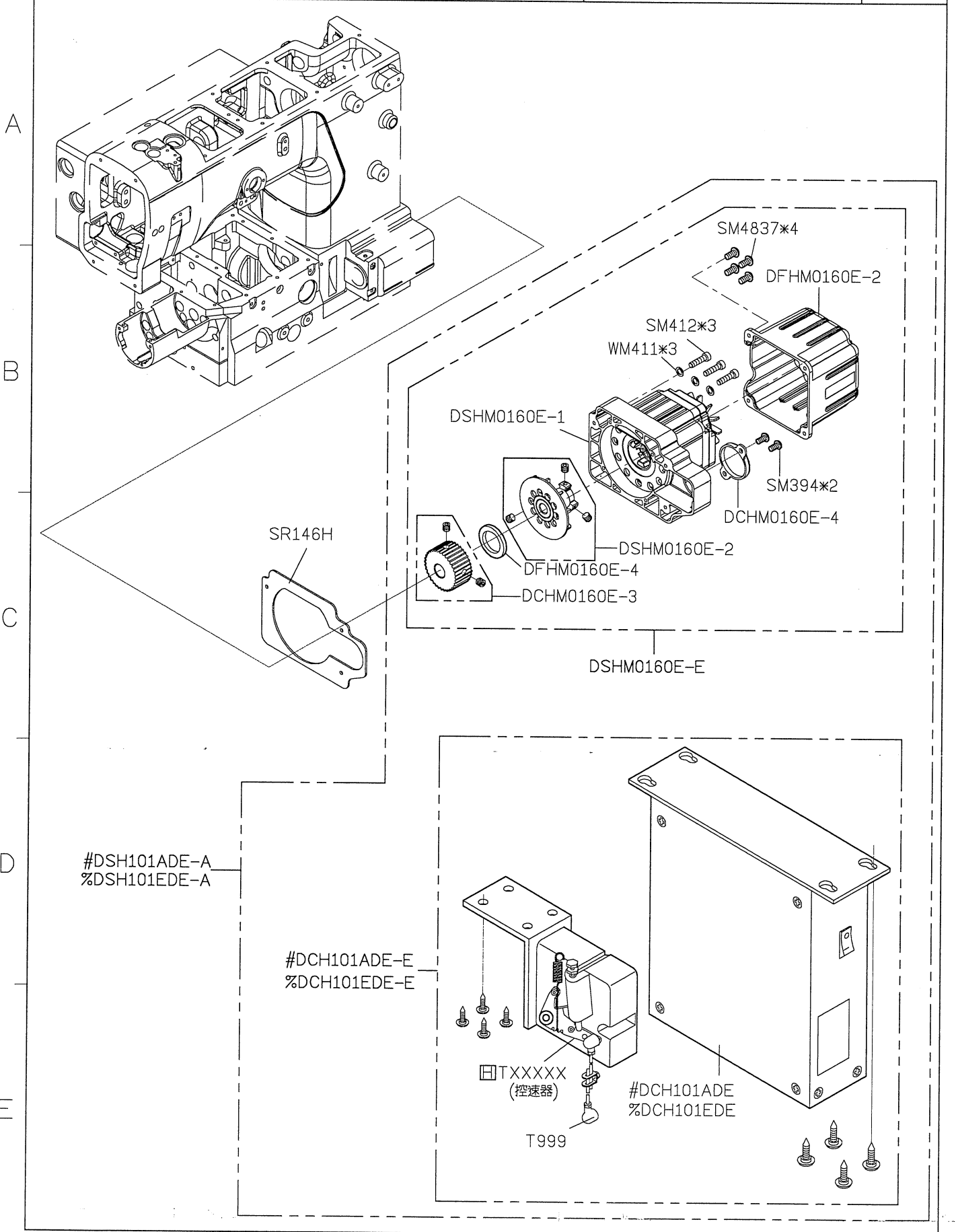
2

3

4

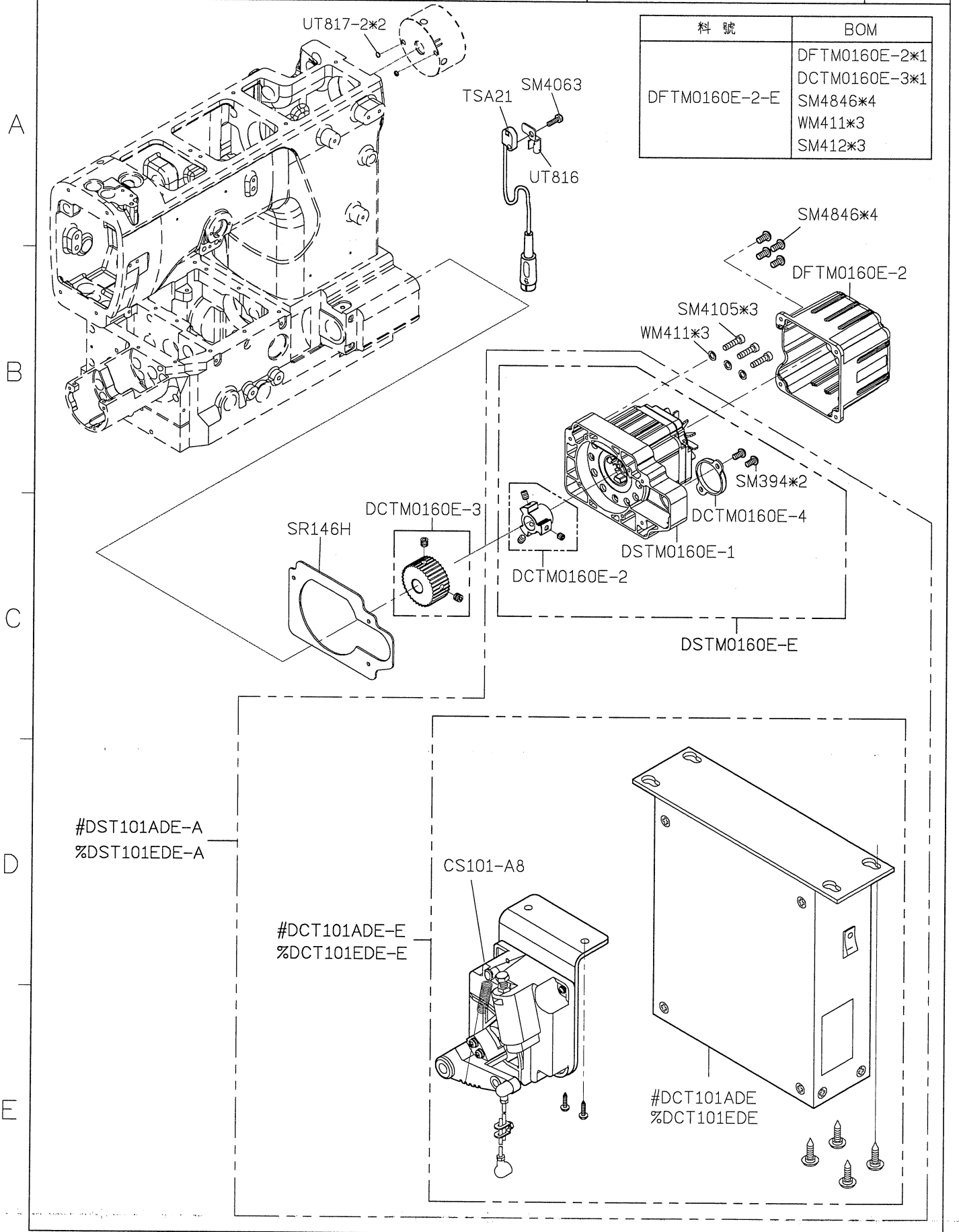
5

SIRUBA PARTS LIST	Series	Parts Group	Subclass / Remark	Page
	C007JP	MQ	For Direct-Drive Motor (H牌) #For Pneumatic Automatic %For Electric Automatic	2/3 Date 2018/10/26



1 2 3 4 5

<b>SIRUBA</b> PARTS LIST	Series	Parts Group	Subclass / Remark	Page
	C007JP	MQ	For Direct-Drive Motor ( T牌 ) #For Pneumatic Automatic %For Electric Automatic	3/3
				Date
				2018/10/26



1                      2                      3                      4                      5

**SIRUBA**

PARTS LIST

Series

C007JP

Parts Group

MS

Subclass / Remark

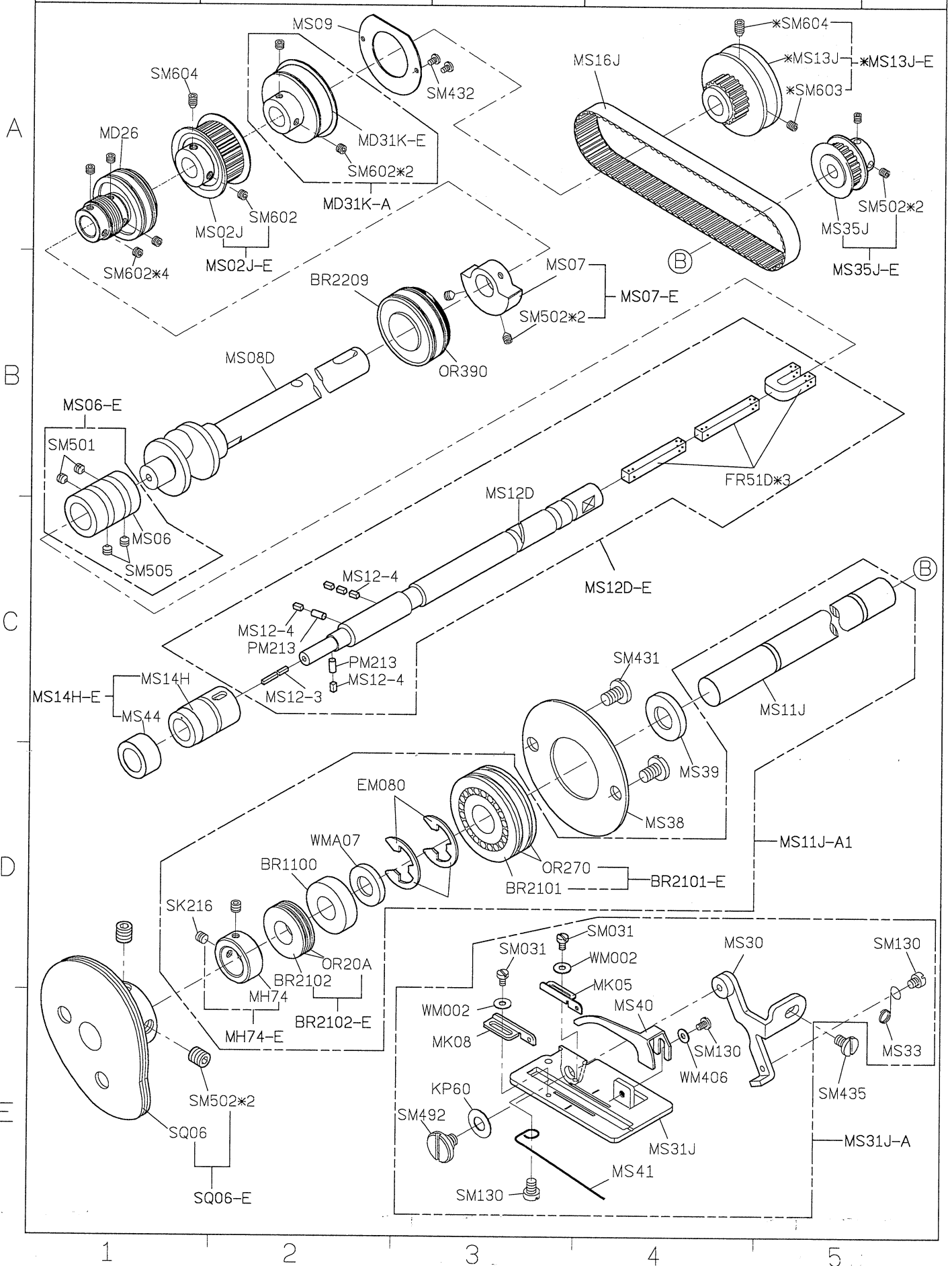
\*For Without Direct-Drive Motor

Page

1/1

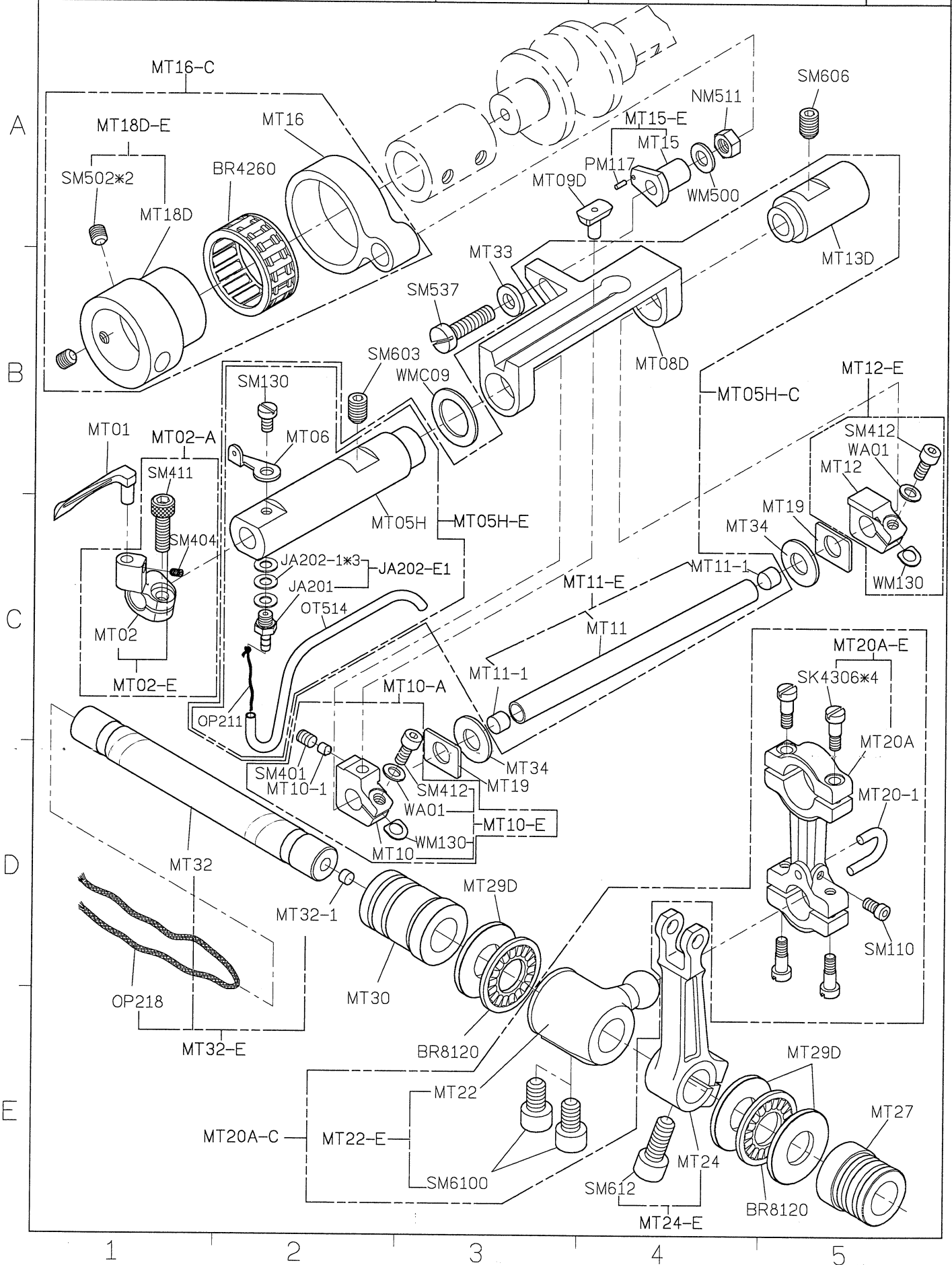
Date

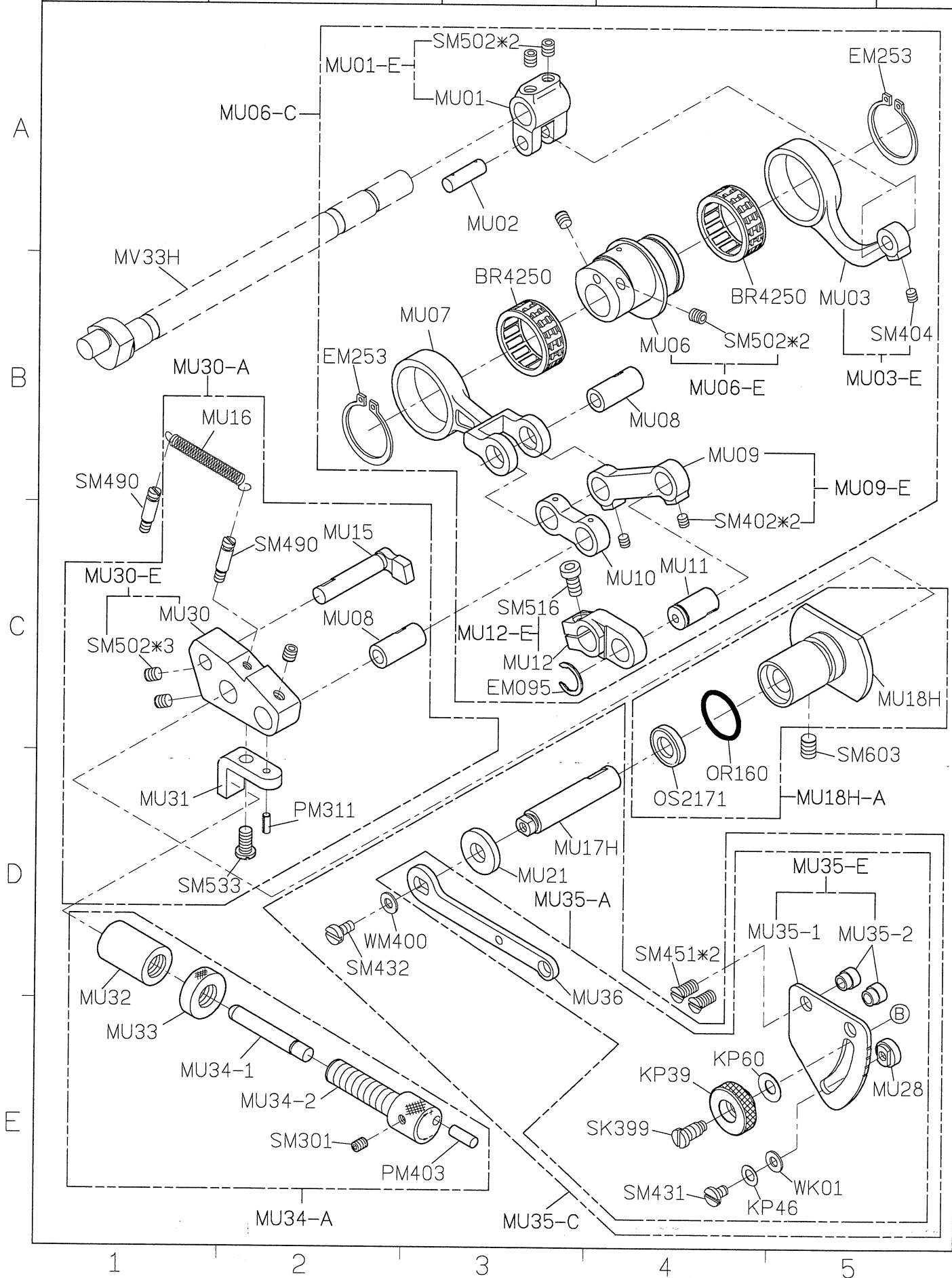
2017/06/21



SIRUBA PARTS LIST	Series	Parts Group	Subclass / Remark	Page
	C007JP	MT		1/1
				Date

2017/09/13







**SIRUBA**

PARTS LIST

Series

C007JP

Parts Group

**MV**

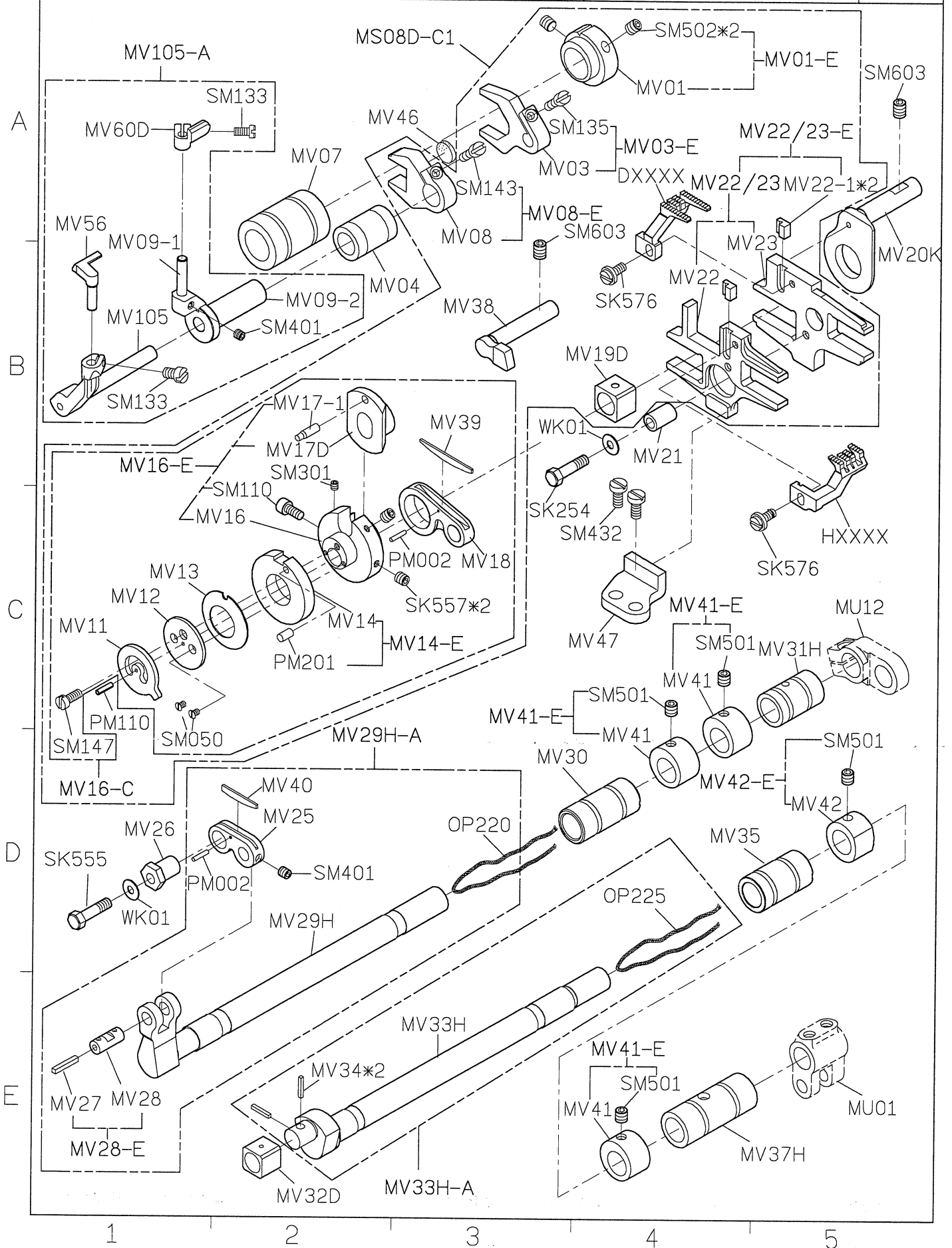
Subclass / Remark

Page

1/1

Date

2017/08/15



**SIRUBA**  
**PARTS LIST**

**Series**  
**C007JP**

**Parts Group**  
**MW**

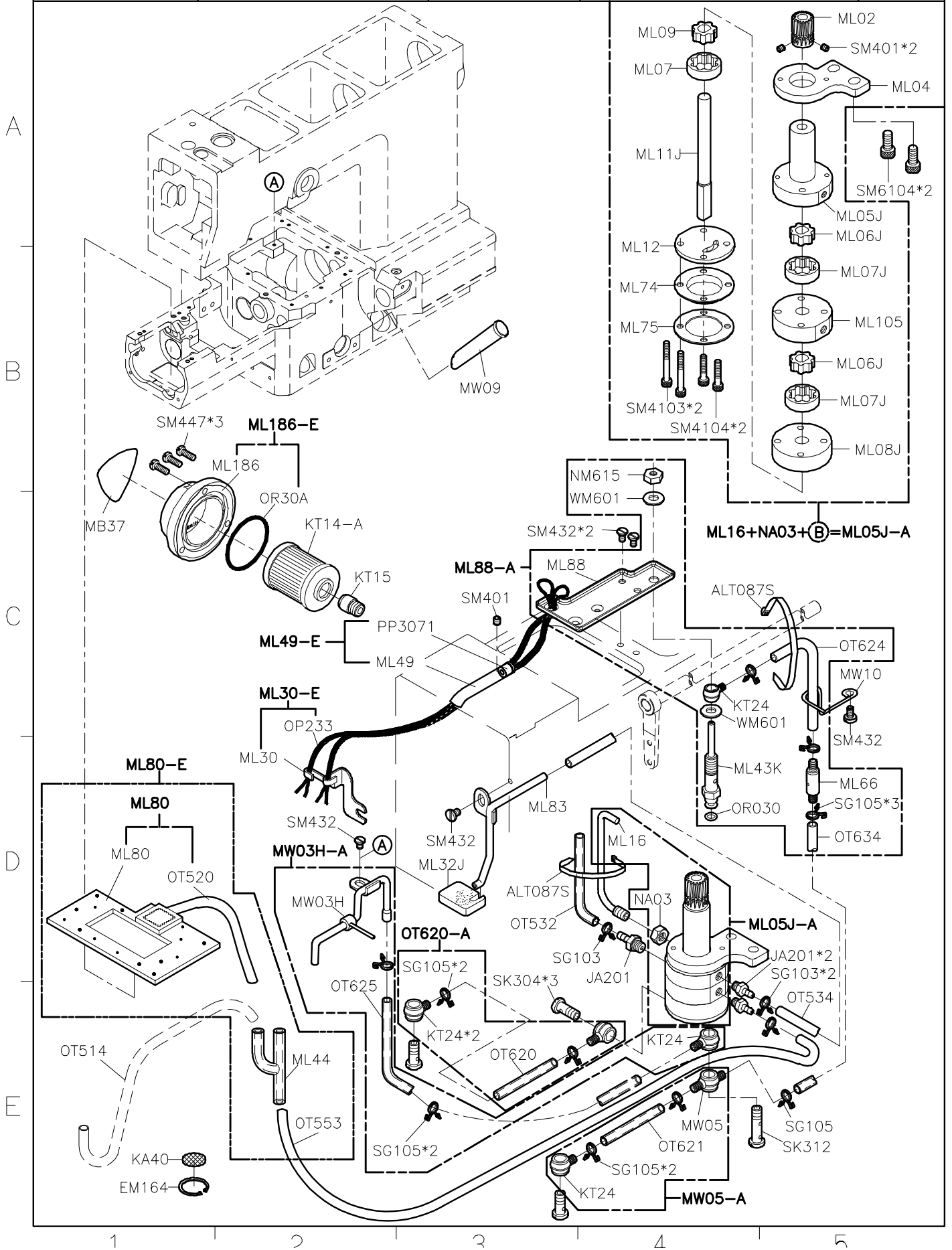
**Subclass / Remark**

**Page**

1/1

**Date**

2019/07/04



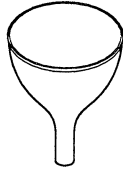
SIRUBA PARTS LIST	Series	Parts Group	Subclass / Remark	Page
	C007JP	MY	*For Without Direct-Drive Motor	1/1
				Date
				2018/10/16

A

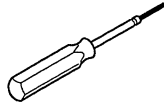
KY03



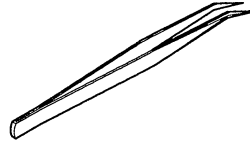
KY04



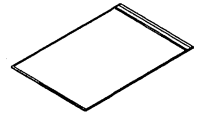
KY14



KY18

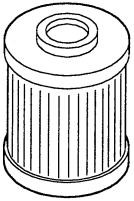


KY201JK



B

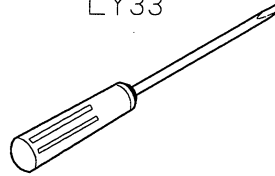
KT14-A



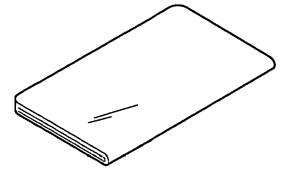
KZ03



LY33



MY01

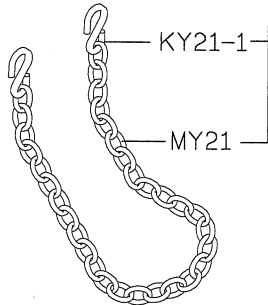


C

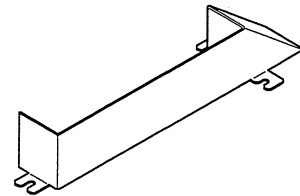
UYX128GAS#10B-A



MY21-E



\*MY29D



D

SM886-A1



\*SM886-A



E

1

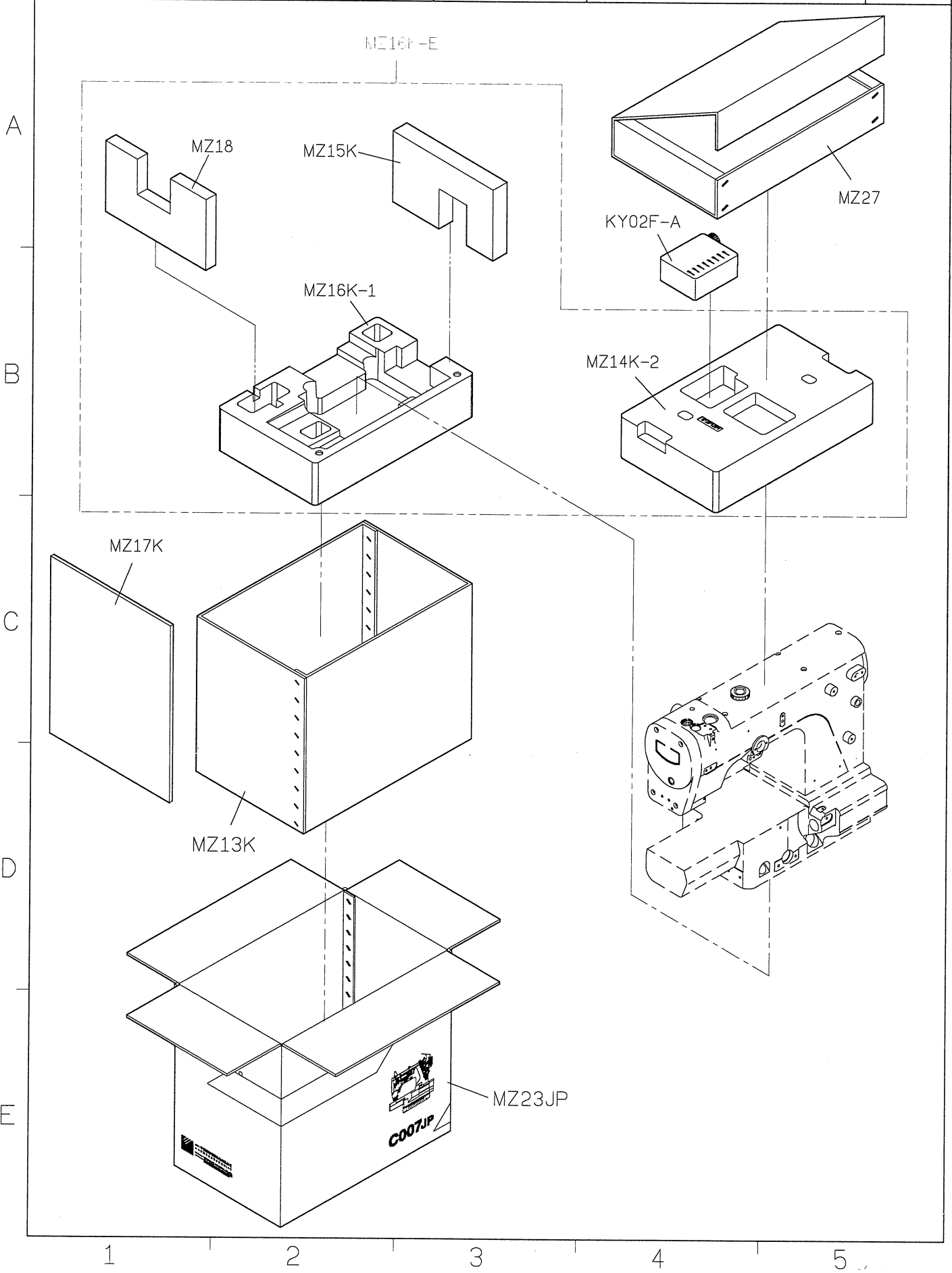
2

3

4

5

<b>SIRUBA</b> PARTS LIST	Series	Parts Group	Subclass / Remark	Page
	<b>C007JP</b>	<b>MZ</b>		1/2
				Date
				2017/06/28



SIRUBA PARTS LIST	Series	Parts Group	Subclass / Remark	Page
	C007JP	MZ-K	@ : Use for Drive Motor+UT Use for Drive Motor	2/2
				Date
				2018/07/23

