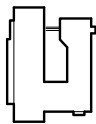




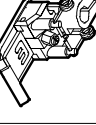

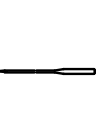



SIRUBA GAGE PARTS LIST		Series		Remark		Page	Date			
		F007KD		USE FOR FFT		1/1	2012/08/20			
										
MODEL	SUB-CLASS	NEEDLE CLAMP	NEEDLE PLATE	MAIN FEED DOG	DIFF. FEED DOG	TOP FEED DOG	PRESSER FOOT	LOOPER	SPREADER	NEEDLE
機 型	規 格	針 座	針 板	主送具	差送具	上送具	壓 具	勾 針	上 叉	使用針
W121/FFT/FHA /UTG(UTJ)	240 248 356 364	M5240 M5248 M5356 M5364	E7240FL E7248FL E7356FL E7364FL	D7240F D7356F	H7240F H7356F	F7240F F7356F	P7240F-A P7248F-A P7356F-A P7364F-A	ME28	MH41	UYX128GAS#10
W122/FFT/FHA	240 248 356 364	M5240 M5248 M5356 M5364	E7240FM E7248FM E7356FM E7364FM	D7240F D7356F	H7240F H7356F	F7240F F7356F	P7240F-A P7248F-A P7356F-A P7364F-A	ME28	MH41	UYX128GAS#10
W122/FFT/FHA /UTG(UTJ)	240 248 356 364	M5240 M5248 M5356 M5364	E7240FM E7248FM E7356FM E7364FM	D7240F D7356F	H7240F H7356F	F7240F F7356F	P7240F-A P7248F-A P7356F-A P7364F-A	ME28	MH41	UYX128GAS#10
U131/FFT/FHA /FHK	248 256 264	M5248 M5356 M5364	E7248FL E7356FL E7364FL	D7240F D7356F	H7240F H7356F	F7240F F7356F	P7248U-A P7256U-A P7264U-A	ME28	—	UYX128GAS#10
U132/FFT/FHA /FHK	248 256 264	M5248 M5356 M5364	E7248FM E7356FM E7364FM	D7240F D7356F	H7240F H7356F	F7240F F7356F	P7248U-A P7256U-A P7264U-A	ME28	—	UYX128GAS#10

SIRUBA

PARTS LIST

Series

F007KD

Parts Group

FFT

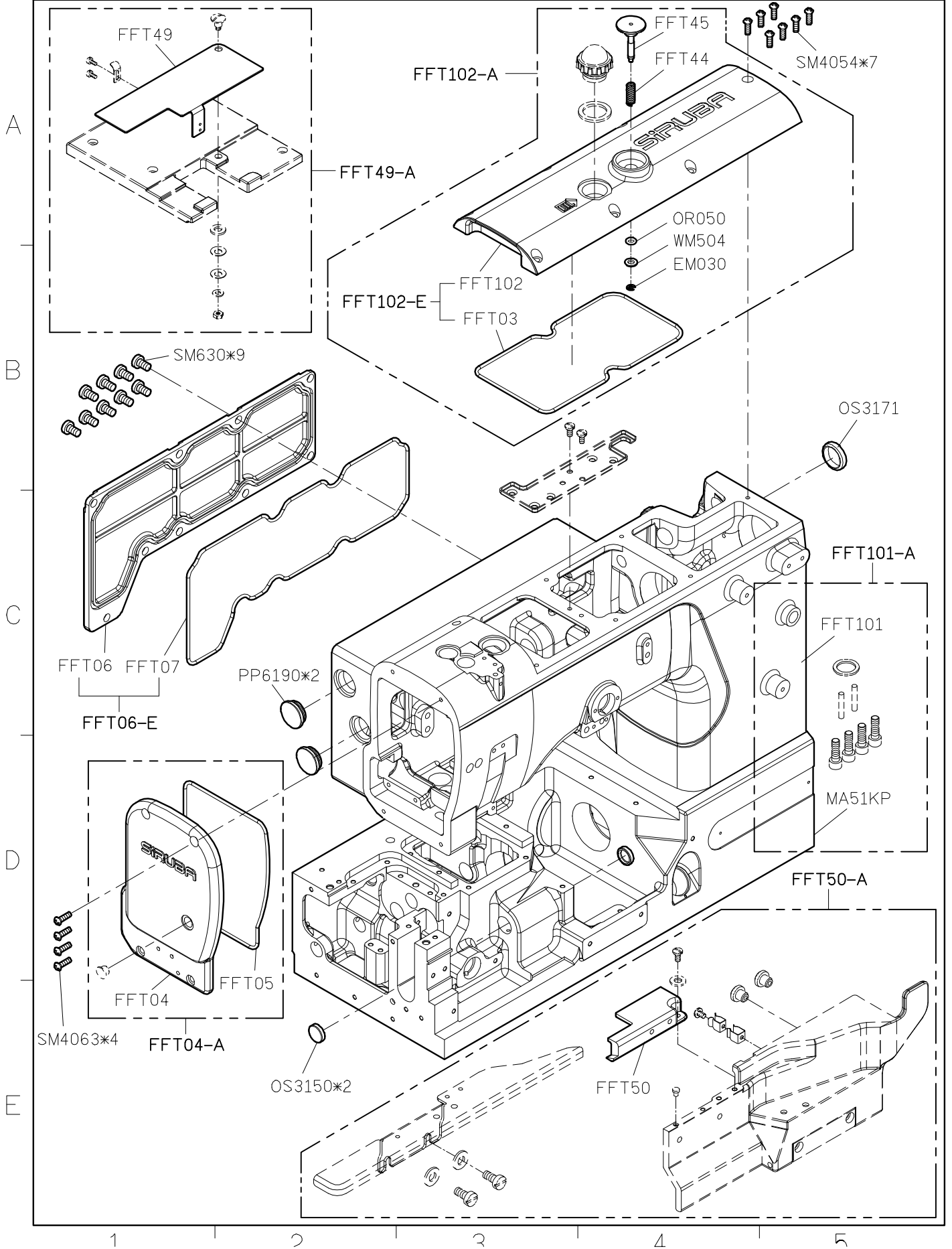
Subclass / Remark

Page

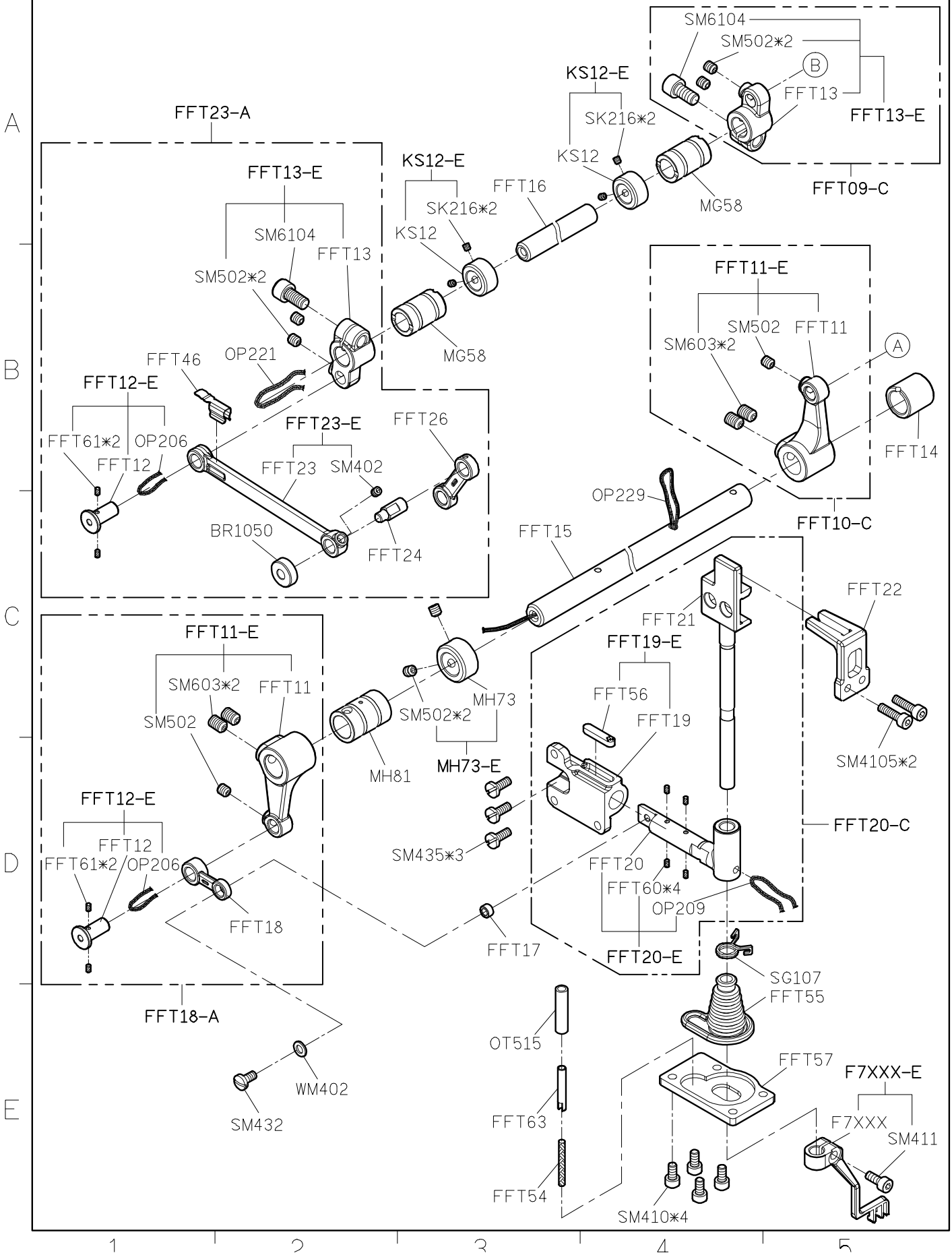
1/7

Date

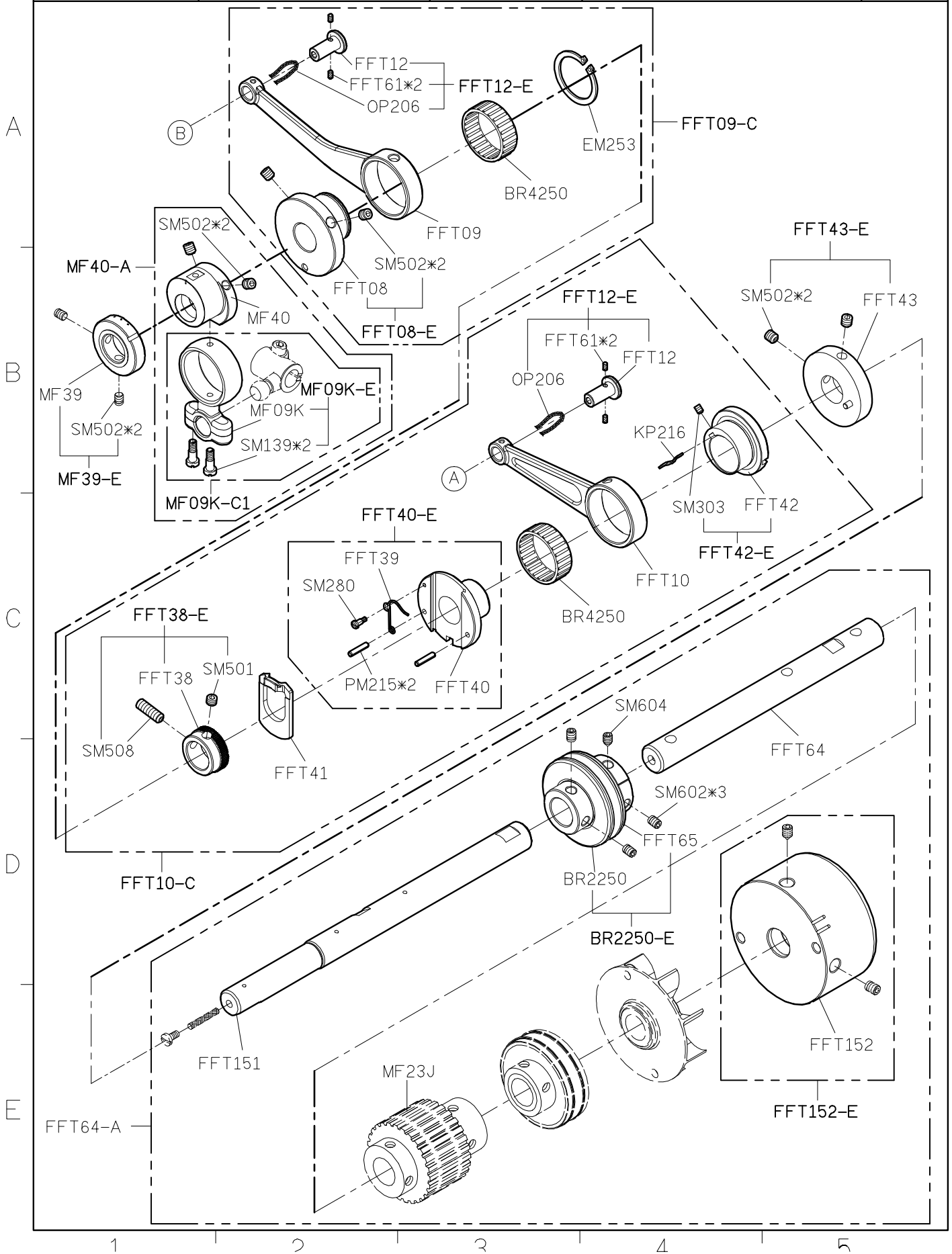
2012/08/20



SIRUBA PARTS LIST	Series	Parts Group	Subclass / Remark	Page
	F007KD	FFT		2/7
				Date
				2012/08/20



SIRUBA PARTS LIST	Series	Parts Group	Subclass / Remark	Page
	F007KD	FFT		3/7
				Date
				2012/08/20



SIRUBA PARTS LIST	Series	Parts Group	Subclass / Remark	Page
	F007KD	FFT		5/7
				Date
				2012/08/20

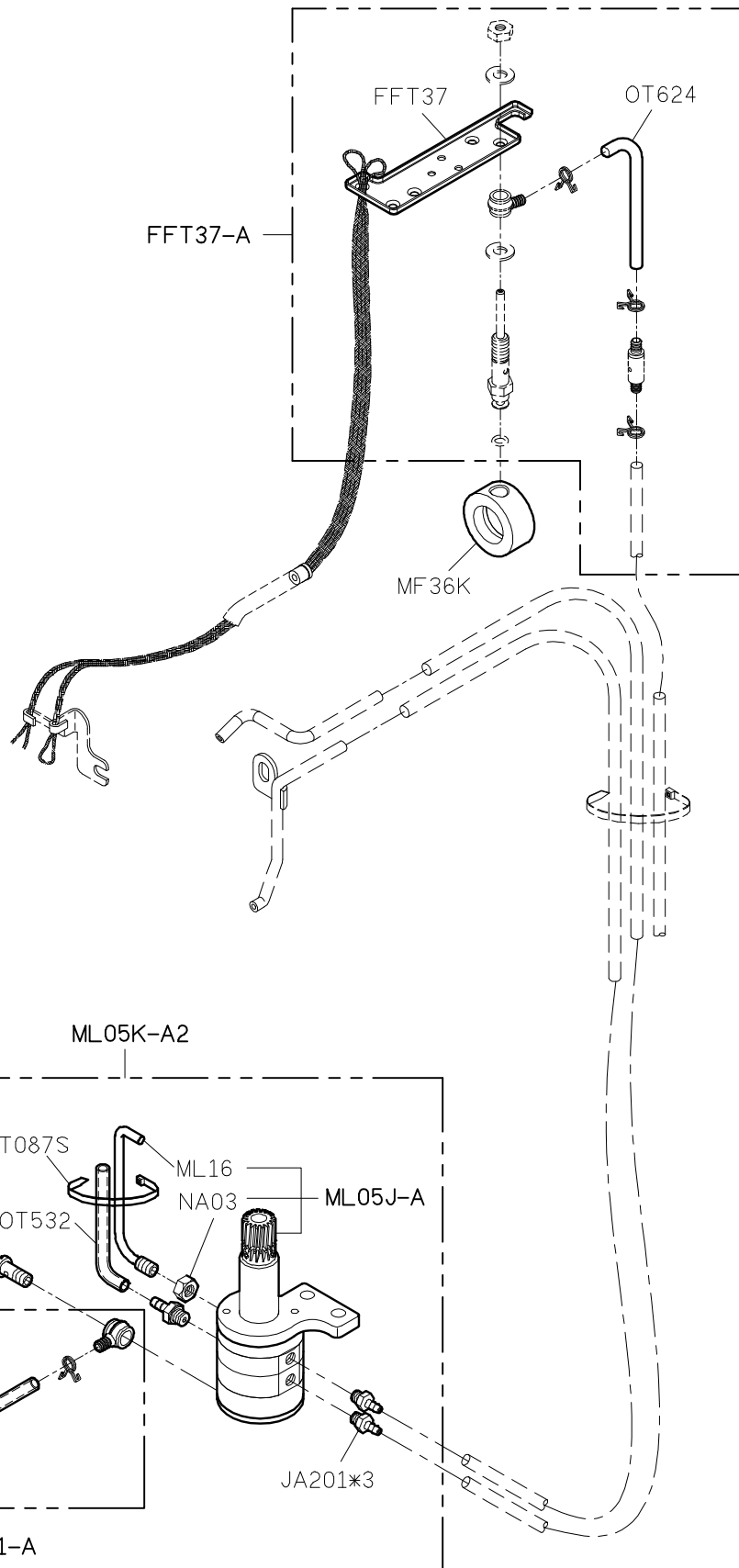
A

B

C

D

E



1

2

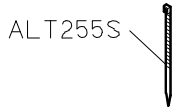
3

4

5

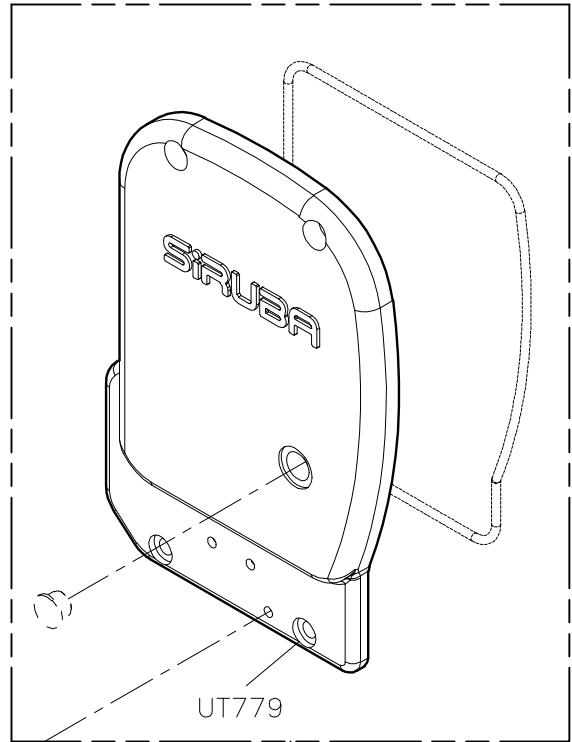
SIRUBA PARTS LIST	Series	Parts Group	Subclass / Remark	Page
	F007KD	FFT		6/7
				Date
				2012/08/20

A



AC027-A1

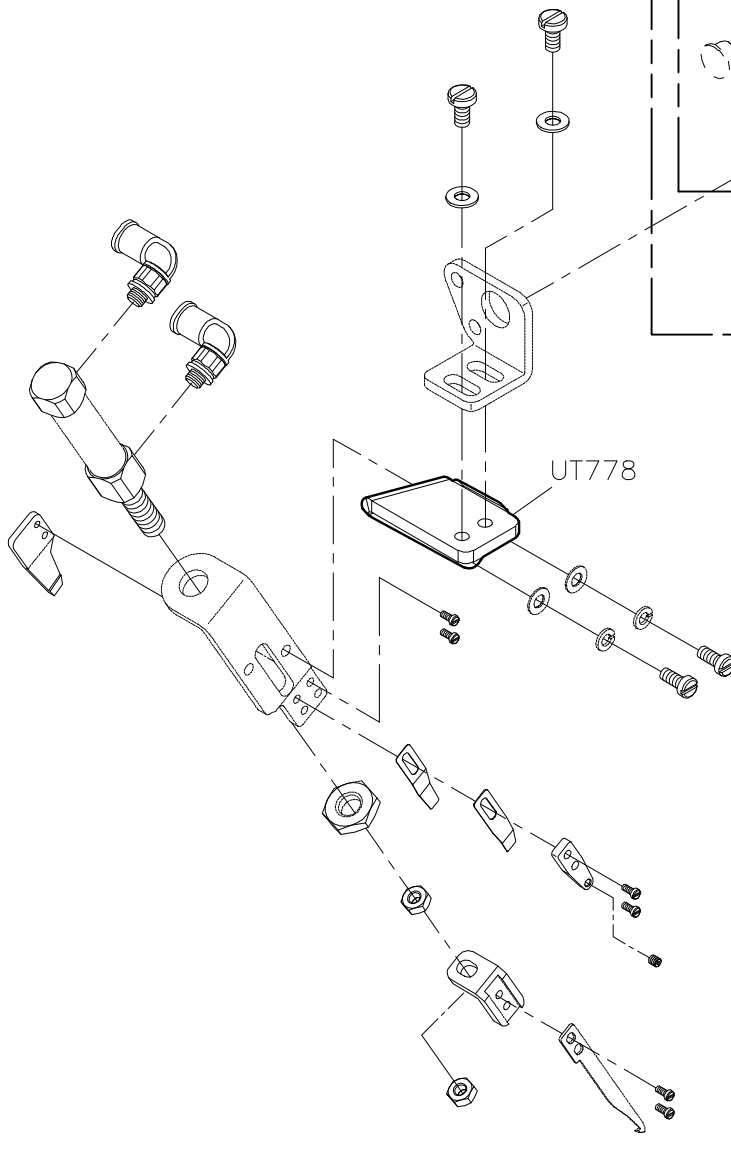
B



UT779

UT779-A

C



UT778

D

E

1

2

3

4

5

SIRUBA PARTS LIST	Series	Parts Group	Subclass / Remark	Page
	F007KD	FFT	* Use for UT	7/7
				Date
				2012/08/20

