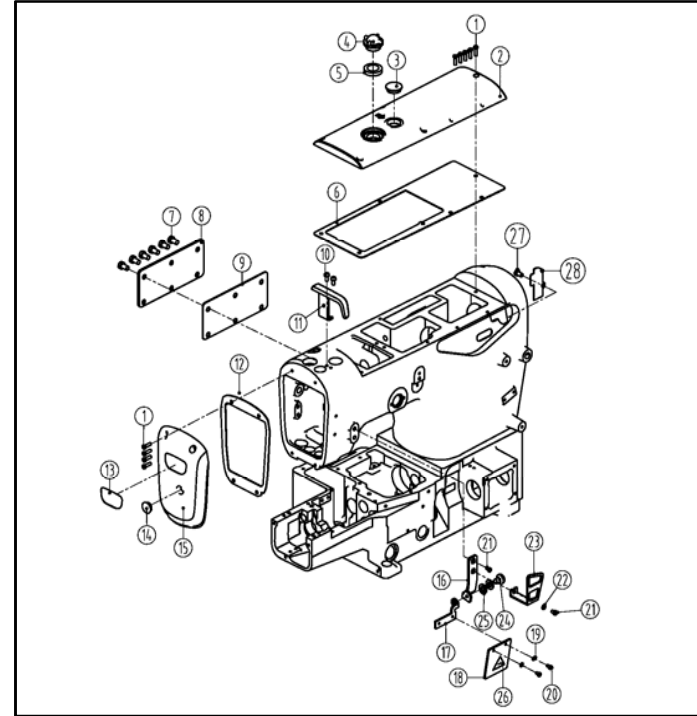
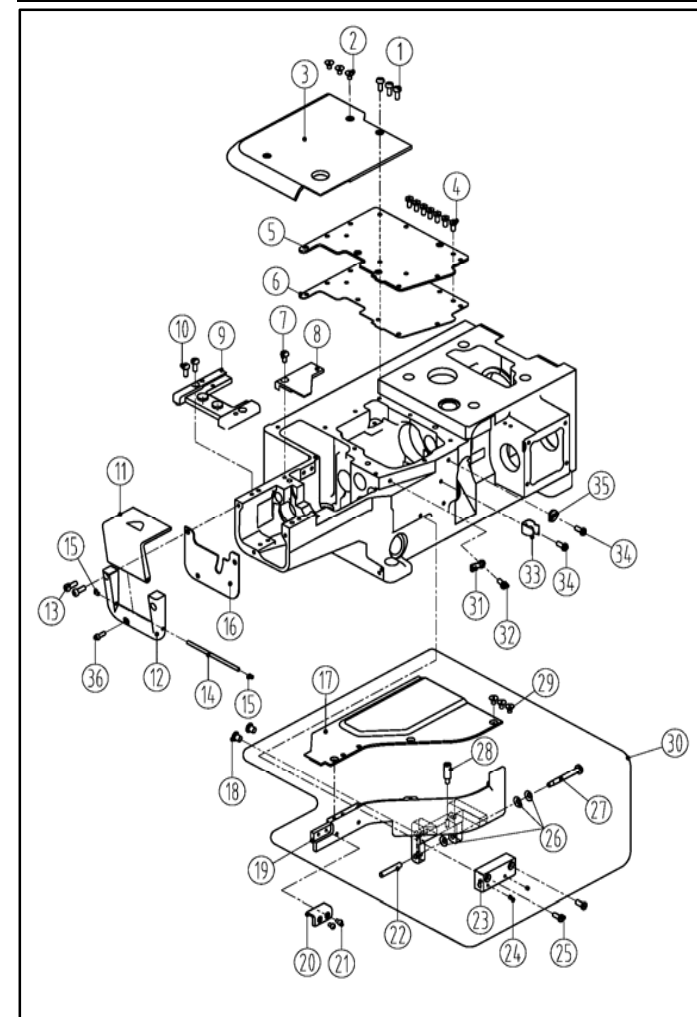


序号 No.	件号 Parts No.	参考件号 Ref. Part No.	名称 Description	数量 Number
7	30112001	255002	滤油网 filter	1
8	30223006	255108	油销 pin	1
9	301S30001	250117	机壳螺钉 bed pin	4
10	20122009	210003	油封 plug	1
11	30111001	206590	油标 oil sight gauge	1
12	W02003		垫圈10 (全工) washer	4
13	S05001		螺钉M10x27.5 screw	4
14	30112002	250020	盖板 cover	1
15	S01002	7017	螺钉M4x6.5 c/screw	2
16	100886		机壳上节 chassis	1
17	100887		机壳下节 Casing under section	1
18	30226004		拼装销 pin	2
19	30122007		油封 plug	1
20	31022008		油封 plug	1
21	31022015		油封 plug	1
22	31022016		油封 plug	1



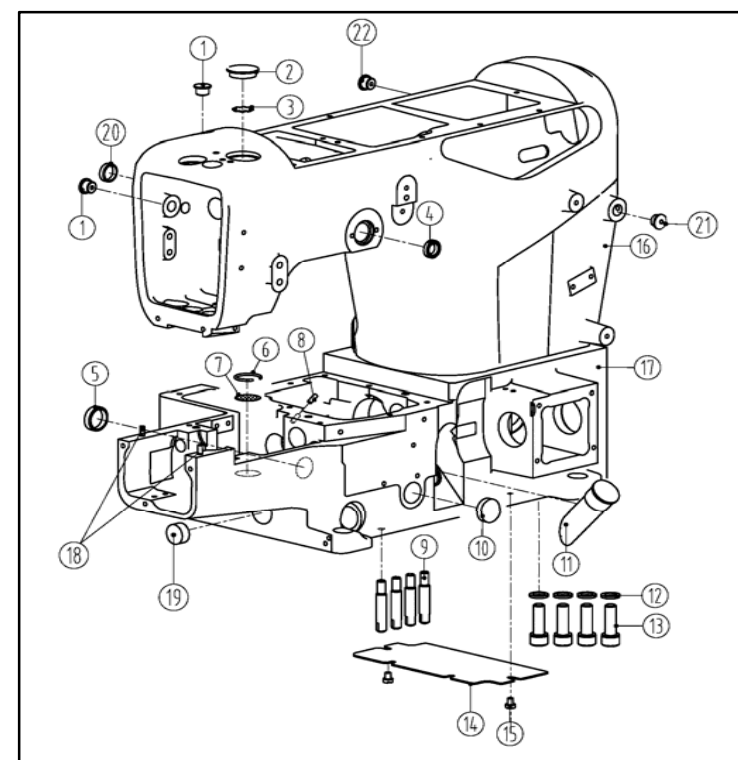
二、罩壳部件/Cover assemblies

序号 No.	件号 Parts No.	参考件号 Ref. Part No.	名称 Description	数量 Number
1	S04060	7021	螺钉M4x12 screw	9
2	303600		上盖 (喷漆) arm cover(top)	1
3	30122005		油封 plug	1
4	20711055		油罩 Oil Sight Window	1
5	21022003		油罩垫 o ring	1
6	31022010		上盖密封垫 The head gasket	1
7	S01060	7052	螺钉M6x10 screw	6
8	303605	250154	右盖板 arm cover(right)	1
9	31022013	250155	右盖板 gasket	1
10	207S11007		螺钉 screw	2
11	31012020		针杆护罩 needle bar cover	1
12	31022006		机头左盖密封垫 o ring	1
13	13837002		商标牌 plug	1
14	10122003		油封 plug	1
15	303599		右盖板 (喷漆) arm cover(right)	1
16	31012042		玻璃罩安装板 glass plate	1
17	31012029		护罩架 Shield frame	1
18	30111003	250257	右机壳罩 eye guard	1
19	W01002	202875	贴纸 sticker	2
20	S01006	7009	螺钉M3x4.5 screw	2
21	S01060	7052	护罩螺钉 screw	2
22	W02004	303335	贴纸 sticker	1
23	31012012		过线护罩 wire wrap	1
24	301S20001		螺钉 screw	1
25	W03001	210307	垫片 washer	2
26	20131063		护罩架 sticker	1
27	S01002		螺钉 screw	1
28	31022014		卡线片 Card line piece	1



套筒部件/Bushing assemblies

序号 No.	件号 Parts No.	参考件号 Ref. Part No.	名称 Description	数量 Number
1	31003002		轴衬套筒 sleeve	1
2	30103106	210297	过线轴衬套筒 sleeve	1
3	30103106	210297	过线轴衬套筒 sleeve	1
4	20103020	250141	送布轴套 sleeve	1
5	20103020	250141	送布轴套 sleeve	1
6	30203004	250146	针杆上套 sleeve	1
7	30203005	251003	针杆下套 sleeve	1
8	30203024	250147	压脚轴套 sleeve	1
9	30203025	250136	摆针轴套 sleeve	1
10	20622019		油封 plug	1
11	30122039		油封 plug	1
12	30203002	250137	下主轴套 sleeve	1
13	30203003	250138	上主轴套 sleeve	1
14	30203006	0628	控制轴套 sleeve	1
15	30203039	0628	控制轴套 sleeve	1
16	30203011	250139	针距轴套 sleeve	1
17	30203017	250140	送布轴套 sleeve	1
18	30222011		油封 plug	1
19	30203018	250141	送布轴套 sleeve	1
20	30203014		摆针轴套 sleeve	1
21	30222010		油封 plug	1
22	30203015		摆针轴套 sleeve	1
23	30203016	204089	摆针轴套 sleeve	1
24	30203012		调节轴套 sleeve	1
25	30203009	250191	下轴衬轴套 sleeve	1
26	30203010	250144	下轴衬轴套 sleeve	1
27	P03005		销1x8 pin	1

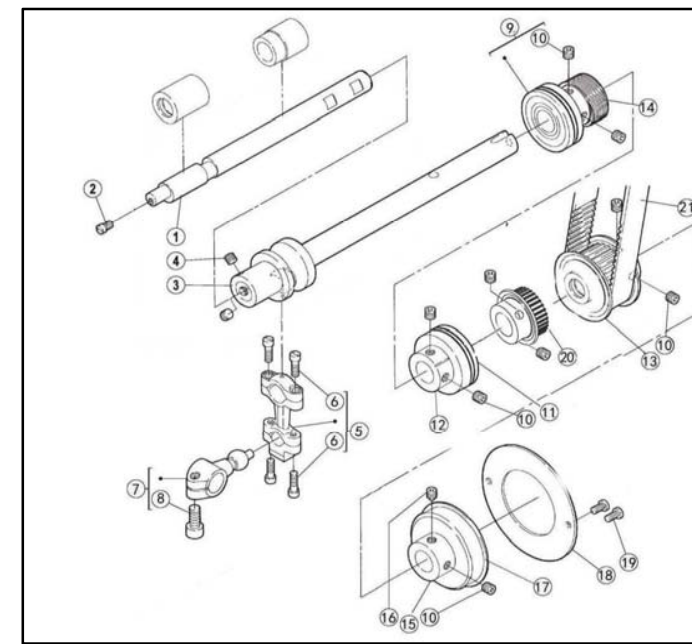


一、车壳部件/Frame assemblies

序号 No.	件号 Parts No.	参考件号 Ref. Part No.	名称 Description	数量 Number
1	30122006	240052	油封 plug	2
2	21022005		油封 plug	1
3	21012018		油封垫 washer	1
4	20622019		油封 plug	1
5	30222002	209084	油封 plug	1
6	H01001	240001	送布轴衬圈 ring	1

三、缝台部件/Cloth plate assemblies

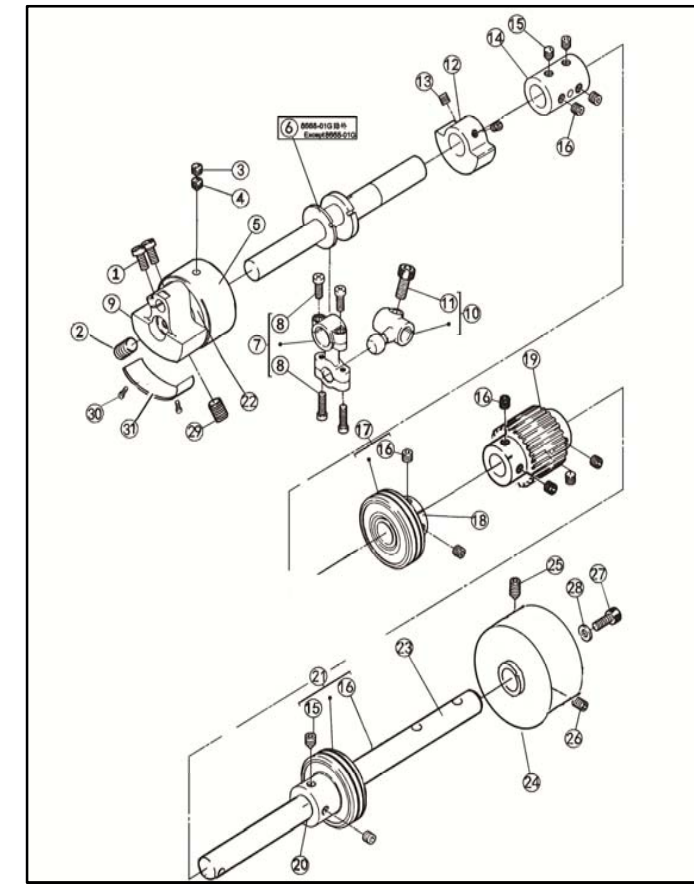
序号 No.	件号 Parts No.	参考件号 Ref. Part No.	名称 Description	数量 Number
1	S01005	7021	螺钉M4x10 screw	3
2	S02001	007043	螺钉M4x6 screw	3
3	303607		针板罩板 (可拆) bed cover	1
4	L02001	7019	螺钉M4x8 screw	7
5	30212008		盖板 Cover plate	1
6	30222006		盖板垫 Flat mat	1
7	S01004		螺钉 screw	1
8	S02930		缝台垫 bed cover	1
9	31001005		针板架 needle plate	1
10	S01005		螺钉 screw	2
11	31012023	0389	左盖 cover plate	1
12	303604	0388	左盖板架 (喷漆) left cover plate	1
13	S04019	7024A	螺钉 screw	2
14	31026004	0330	销轴 pin	1
15	S10026	4554	螺钉M3x3 screw	2
16	31022004	0325	左盖密封垫 left cover seal	1
17	31012039		前罩缝台面板 bed cover plate	1
18	30222006	210055	防震垫 cushion	2
19	31001008		前罩缝台 cover before bed	1
20	31009005		针板架接块 bracket	1
21	S01006		螺钉M3x4.5 screw	2
22	30226013	240198	销 pin	1
23	31001010		合销块 hinge	1
24	S10005	4554	螺钉M3x3 screw	2
25	207S11016	007022A	螺钉M4x16 screw	2
26	30128002		垫片 bracket assembly	3
27	301S20002	250013	前罩缝台座螺钉 screw	1
28	301S30002		螺钉 screw	1
29	S02001	007043	螺钉M4x6 screw	3
30	303601		缝台组件 (喷漆) bed cover components	1
31	30213045		UT过线 threadguide	1
32	S01004		螺钉 screw	1
33	13812007		卡簧 circlip	1
34	S01002		螺钉 screw	2
35	30213009		过线环 threadguide	1
36	301S11024		螺钉 screw	1



四、下轴部件/Hook shaft assemblies

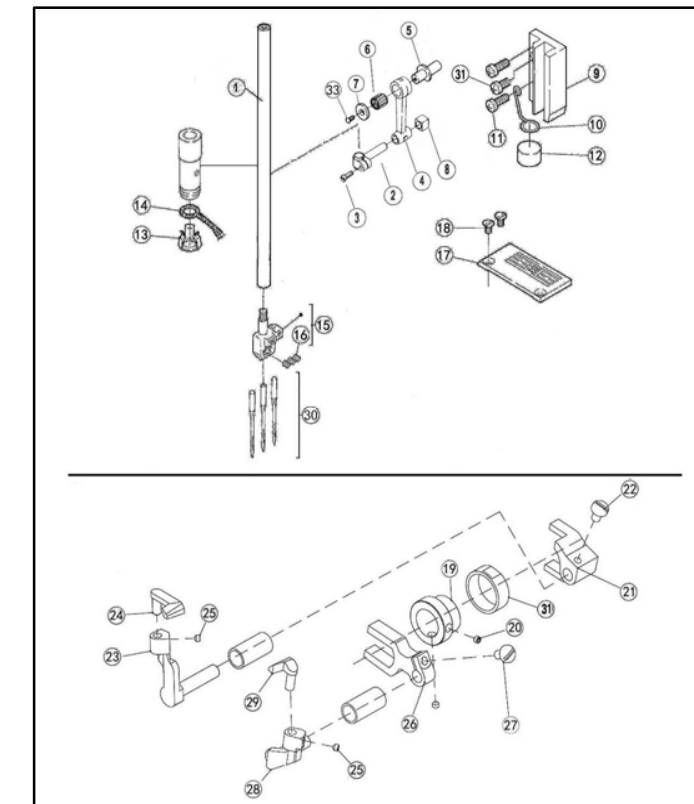
序号 No.	件号 Parts No.	参考件号 Ref. Part No.	名称 Description	数量 Number
1	400082	250551	下前轴 crankshaft	1
2	S10016	7036	螺钉M4x5 screw	1
3	31002008	250554-82	下后轴 crankshaft	1
4	S10015	7128	螺钉M6x0.75x4 screw	2
5	400070	210091-92	连接件 connection	1
6	301S11004	5378	螺钉SM11/04*40 screw	4
7	400228	252056-82	曲柄 crank	1
8	S05002	4534	螺钉M6x0.75x4 bolt	1
9	3012400300	250529A91	轴衬轴承 bearing	1
10	S10029	4547	螺钉M6x0.75x5 screw	8
11	3012400400	250557-91	轴衬轴承 bearing	1
12	30103012		中轴套 bushing	1
13	3023501700	401	后组合同步带轮 gear(lower)	1
14	30103008	250544	轴衬套 bushing	1
15	31003004		轴衬套 bushing	1
16	S12003	4555	螺钉M6x0.75x7 screw	2
17	B01003		轴承6304Z bearing	1
18	30108001	250514	挡圈 ring	1
19	S01004	7018A	螺钉M4x7.8 screw	2
20	3023501800	402	前同步带轮组件 gear(lower)	1
21	30235020	305050C	同步带 timing belt	1

10	30227003	251018	毛毡弹簧 latch	1
11	S01003	7021	螺钉M4x12 screw	2
12	30122002	179049-05	毛毡 sponge	1
13	30112009	206524	油毡托 oil wick retainer	1
14	30123014	212186	油毡 oil wick	1
15	30134001		35#针舌 needle holder	1
16	S10026	4554	螺钉M3x3 screw	3
17	30115067		35#针板 needle plate	1
18	302517001	005511-HC	螺钉 screw	2
19	30210005	5	海绵 sponge	1
20	S10007	4546	螺钉M4x4 screw	2
21	30204035	4035	护针油杯 oil wick	1
22	301S11025	7086	护针油杯螺钉 screw	1
23	30201008	251512	后护针架 needle guard(rear)	1
24	30217002	257567	后护针架 needle guard(rear)	1
25	S10007	4543	螺钉M4x4 screw	2
26	30204003	251513-82	护线曲柄 lever	1
27	S01029	7013	螺钉M3.5x7.5 screw	1
28	30201007	251514	护线罩 needle guard	1
29	30217001	257568	护针架 needle guard	1
30	30117001		机针 needle	1
31	30203056		护针套筒 sleeve	1
32	30207071		针板架 track roller	1



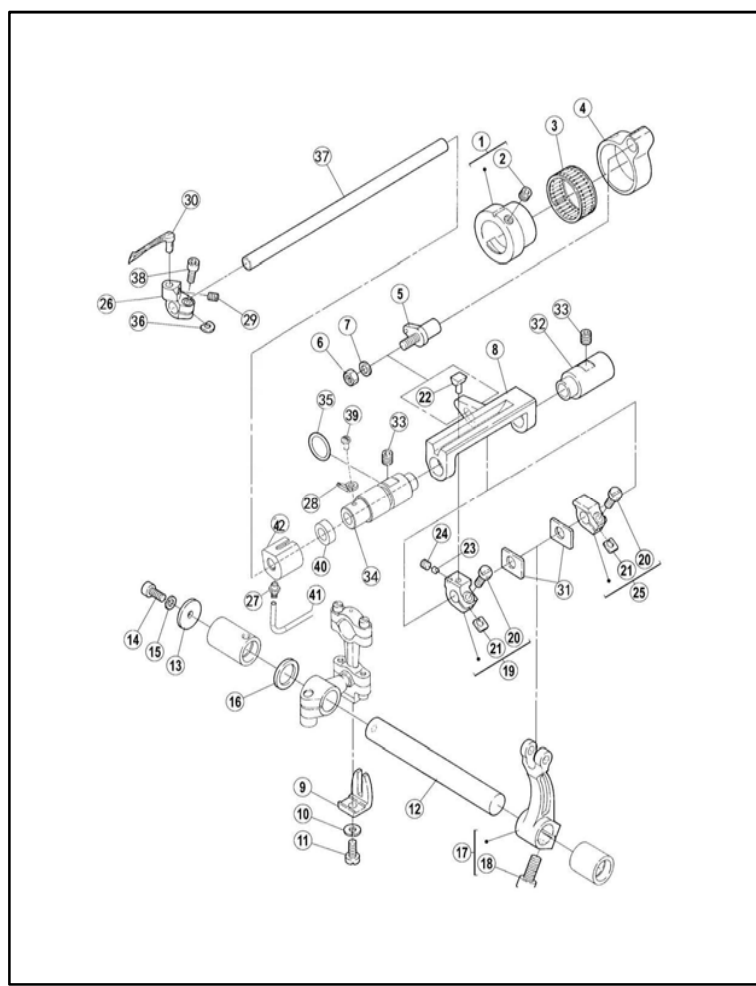
五、上轴部件/Main shaft assemblies

序号 No.	件号 Parts No.	参考件号 Ref. Part No.	名称 Description	数量 Number
1	S01011	7028	螺钉M5x10 screw	2
2	301S10004	4592	螺钉 screw	1
3	S11001	7152	螺钉M6x0.75x6 screw	1
4	S08001	7153	螺钉M6x0.75x3.5 screw	1
5	30224005		针杆曲柄轴承 bearing	1
6	400065	250560A	上轴 crankshaft	1
7	400061	253500-92	连杆组件 connection assembly	1
8	S01008	007021A	螺钉M3.5x13 screw	2
9	400308		针杆曲柄 motion assy	1
10	30104006	253501A	连杆曲柄 crank assembly	1
11	S05002	4534	螺栓 bolt	1
12	30109003	250524	上轴平衡块 balance weight	1
13	S10002	4514	螺钉M5x5 screw	2
14	30103004	250506	轴衬套 joint	1
15	S12003	4555	螺钉M6x0.75x7 screw	4
16	S10029	4547	螺钉M6x0.75x5 screw	9
17	3012400400	250529-91	轴衬轴承 bearing	1
18	30103012		轴衬套 bushing	1
19	30235004		上轴同步带轮 gear(upper)	1
20	31003003		轴衬套 bushing	1
21	3012400400	250528-91	轴衬轴承 bearing	1
22	B01005		轴承6203 bearing	2
23	31002009		轴衬套 bushing	1
24	31035002		轴衬套 bushing	1
25	S12001	4556	螺钉M6x8 screw	1
26	S10009	4541	螺钉M6x8 screw	1
27	S05004	4501	螺钉 screw	1
28	W01004	204585	垫片 washer	1
29	S10004	4592	螺钉M6x1x12 screw	1
30	301S17001		螺钉 screw	1
31	31009001		平衡块 Balance weight	1



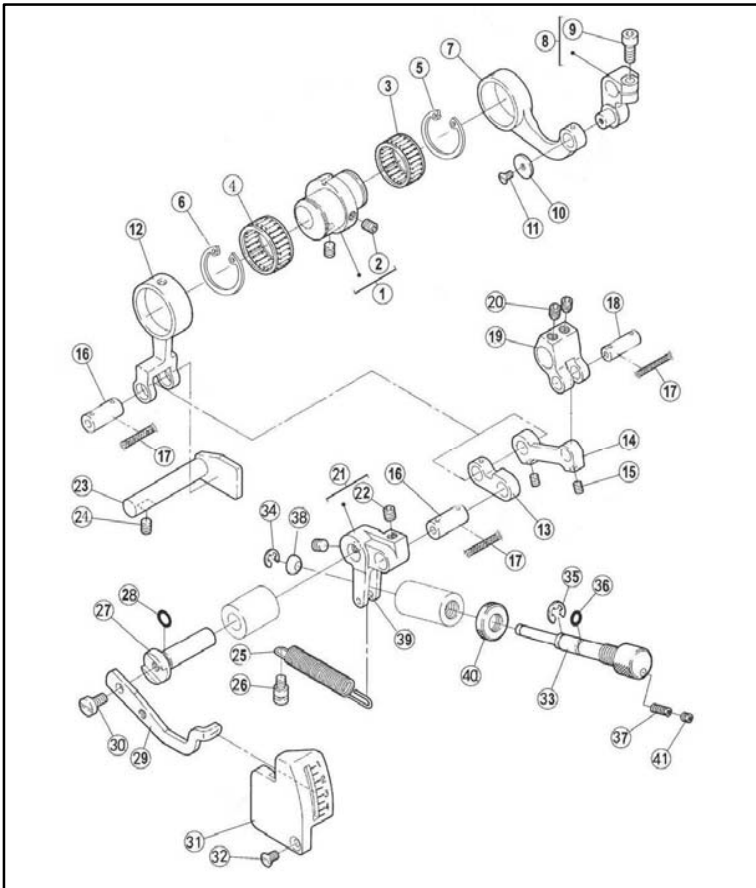
六、针杆部件/Needle bar assemblies

序号 No.	件号 Parts No.	参考件号 Ref. Part No.	名称 Description	数量 Number
1	30202024	251014-91	针杆 needle bar	1
2	30102009	206061	针杆夹头 needlebar clamp	1
3	301S11005	5325	针杆头螺钉 screw	1
4	30205002	251016	针杆连杆 link	1
5	30102050	206053	连杆偏心轴 eccentric pin	1
6	B07001	240098	轴承8x12x12 needle bearing	1
7	30128030	240101	垫圈 washer	1
8	30109004	206063	针杆导块 guide block	1
9	31009006	251017	滑块底座 guide	1



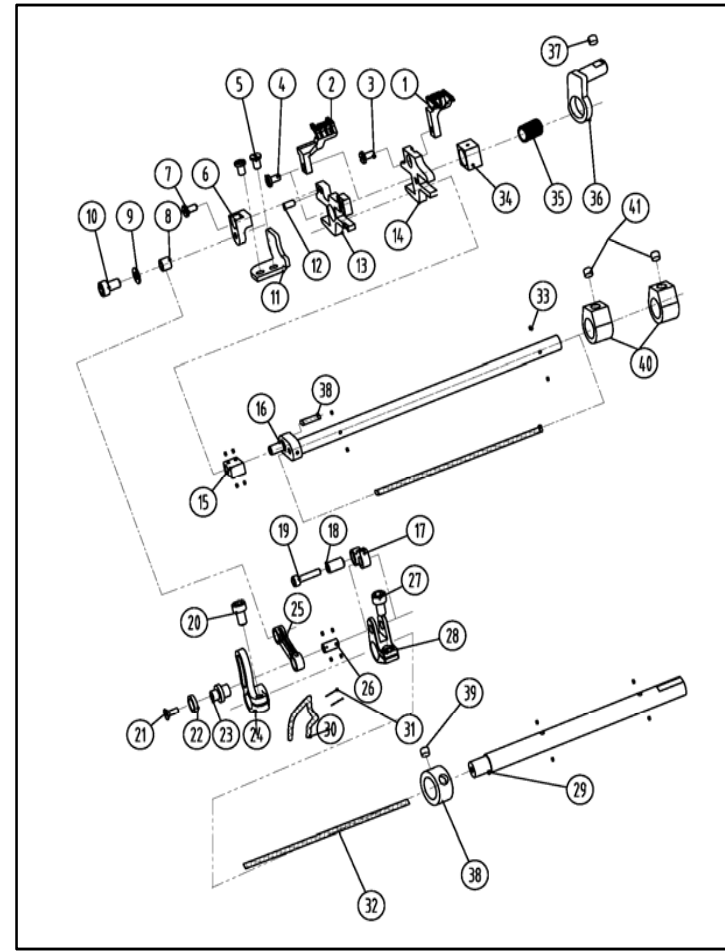
七、弯针部件/Needle guard assemblies

序号 No.	件号 Parts No.	参考件号 Ref. Part No.	名称 Name	Description	数量 Number
1	30210022	252038-92	偏心套	eccentric	1
2	S10015	7128	螺钉M6x0.75x4	screw	1
3	B07009	206172	轴承K26x30x12.7	needle bearing	1
4	30205003	252035	连杆	rod	1
5	30228005	252037-91	销钉M5	pin assembly	1
6	N01004	4805	螺母	nut	1
7	W01004	240062	连杆轴套圈	washer	1
8	30201010	252039	导杆/导针轴	guide/looper shaft	1
9	30109001	201074	比支	guide	1
10	W02001	202286	垫圈	washer	1
11	301S11004	4019	比支螺钉	screw	1
12	30202007	252044	下弯针连杆轴	shaft	1
13	30228006	240232	垫片	washer	1
14	S05048	45247110	螺钉M4x10	bolt	1
15	W02002	201252	垫圈	washer	1
16	30228005	240231	垫片	washer	1
17	30204004	252048-92	下弯针曲柄	lever	1
18	S05002	4534	螺钉M6x0.75x15.2	screw	1
19	30201011	252040-92	前挡块	holder	1
20	S04019	7021A	螺钉M4x12	screw	2
21	30228003	252041	垫片	washer	2
22	30209003	252042	滑块	slider	1
23	30209004	252043	油堵	pin	1
24	S10007	4543	螺钉M4x4	screw	2
25	30201012	252045-92	后挡块	holder	1
26	30201101		倒钩架	looper holder	1
27	30221018		倒钩架	joint screw	1
28	30213050		过线	threadguide	1
29	S10007	7128	螺钉M4x5	screw	1
30	30217003	257566	弯针	looper	1
31	30228004	252047	挡块垫片	washer	2
32	30203007	252052	衬套(后轴)	bushing	1
33	S10013		螺钉	screw	2
34	30203044	252049-91	衬套	bushing	1
35	O01021	231011	O型圈12.2x2.4	O ring	1
36	30228002	252055	垫圈	washer	1
37	30202006	252048	导杆	shaft	1
38	S05046	7145	螺钉M3.5x9.5	screw	1
39	S01006		螺钉	screw	1
40	30223014		油毡	felt	1
41	12921002		回油管	pipe	1
42	30203045		油帽盖	oil cover	1

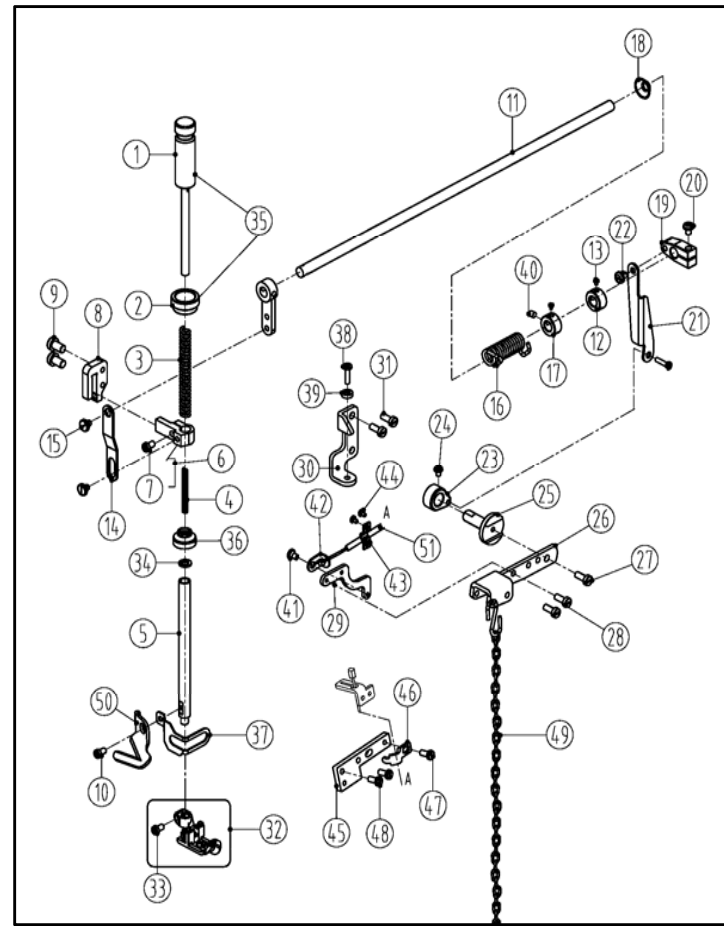


八、护针部件/Feed mechanism

序号 No.	件号 Parts No.	参考件号 Ref. Part No.	名称 Name	Description	数量 Number
1	302100300	252607-92	送布偏心轴组件	eccentric	1
2	S10006	4539	螺钉M5x6	screw	2
3	B07007	204084	轴承22x26x10	needle bearing	1
4	30224001	240236	轴承28x24x13	needle bearing	1
5	30229001	240234	卡簧	ring	1
6	30229002	240237	卡簧	ring	1
7	30205004	252608	连杆	rod	1
8	30204005	252609-92	曲柄	crank	1
9	S05005	4531	螺钉M5x12	screw	1
10	30228007	240055	垫片	washer	1
11	S02016	7041	螺钉M3x3.2	screw	1
12	30205005	252612	偏心连杆	rod	1
13	30205007	252614	针距轴杆	link	1
14	30205006	202176	连杆	link	1
15	S10007	4537	螺钉M4x4	screw	1
16	30228007	252613	连杆销	pin	2
17	20123021	202176	JK795油线	oil wick	1
18	30229008	252616	曲柄销	pin	1
19	30204006	252617	曲柄	crank	1
20	S10029	7142	螺钉M6x5	screw	2
21	30204007	252618-91	调节曲柄	link	1
22	S10029	2547	螺钉M6x5	screw	2
23	30202008	252622	针距调节挡板	guide	1
24	S10006	4539	螺钉M5x6	screw	1
25	30227005	252620	拉簧	spring	1
26	302S30001	7131	螺钉	screw	1
27	30202009	252621	针距指示轴	shaft	1
28	O01022	240017	O型圈7x1.5	O ring	1
29	30212013	252523	指示板	lever	1
30	S01011		螺钉M5x10	screw	1
31	31011007	252624-VB	刻度板	indication plate	1
32	S02004	4537	螺钉M4x8	screw	1
33	30202010	252625	针距调节轴	screw	1
34	H05012	201629	挡圈	ring	1
35	H05006	200983	挡圈	ring	1
36	O01023	240251	O型圈5x1.5	O ring	1
37	S09015	4550	螺钉M4x10	screw	1
38	P03011		销3x12	pin	1
39	30209006	252626	垫片	liner	1
40	302S16001	252660	调节螺母	nut	1
41	S10007	4543	螺钉M4x4	screw	1



序号 No.	件号 Parts No.	参考件号 Ref. Part No.	名称 Name	Description	数量 Number
34	30209008	252632	拍牙滑块	block	1
35	B07008	210238	轴承8x12x13	needle bearing	1
36	30204008	252628	拍牙曲柄	guide (right)	1
37	S10013	7152	螺钉M6x6	screw	1
38	30208001		挡块	collar	1
39	S10029		螺钉	screw	1
40	30208002		挡圈	collar	2
41	S10029		螺钉	screw	2

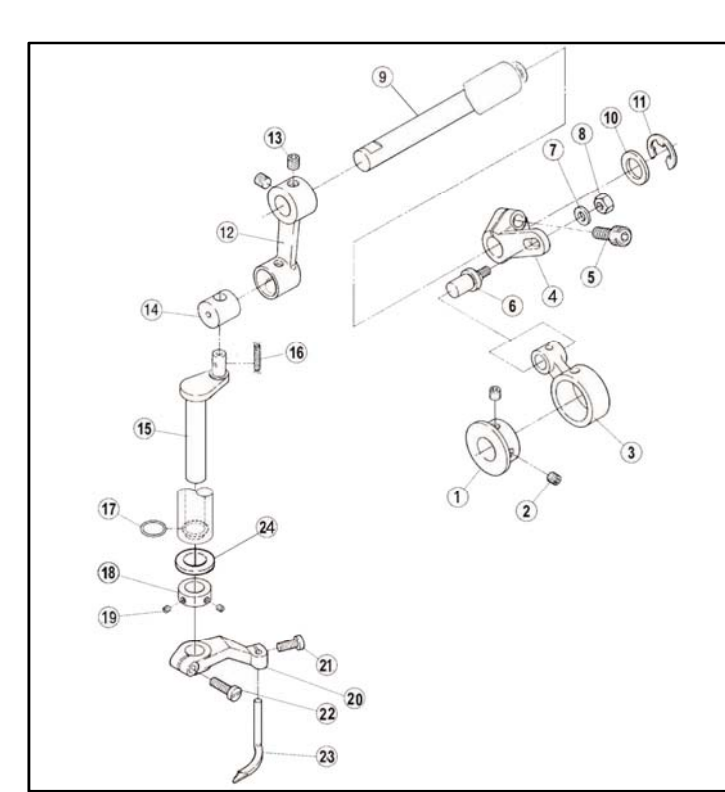


十、压脚部件/Presser form assemblies

序号 No.	件号 Parts No.	参考件号 Ref. Part No.	名称 Name	Description	数量 Number
1	310S30002	253000-91	调压螺钉	adjusting bar	1
2	301S16005	253003	调压母	nut	1
3	30227008	240252	调压簧	spring	1
4	30227009	240253	压脚轴小弹簧	spring	1
5	30202017	253026	压脚轴	presser bar	1
6	30104017	206139	压脚乳头	presser bar clamp	1
7	301S11009		螺钉M12	screw	1
8	3010901700	253005-91	导块销黄组件	guide	1
9	S11025	7025	螺钉M12x20	screw	2
10	S01006	7009	螺钉M4x4.5	screw	1
11	3010206400	263008-91	拍压轴	lever	1
12	30108006	182024	挡圈	collar	1
13	301S12001	5084	曲柄螺钉	screw	3
14	30112016	206157	压脚乳头连接板	link	1
15	301S20007	5386	螺钉	screw	2
16	30127009	253010	拍压轴簧	spring	1
17	30108005	206156	挡圈	collar	1
18	30122023		油封	plug	1
19	30104019	206149	拍压曲柄	bell crank(upper)	1
20	301S11011	5187	拍压曲柄螺钉	screw	1
21	30212018	253027	拍压曲柄连接板	link	1
22	301S20008	5184	连接板螺钉	screw	2
23	30104020	206148	拍压曲柄II	bell crank(lower)	1
24	301S20013	002022-4	拍压轴轴口固定螺母	screw	1
25	31002006		拍压轴	shaft	1
26	31012060		拍压板手	lever	1
27	S01011		螺钉	screw	1
28	S01004		螺钉	screw	2
29	31012603		连接板	link	1
30	31012061		限位板	link	1
31	S01004		螺钉	screw	2
32	3011601300	257461-56	356压脚	presser foot assy	1
33	3011601400		364压脚	presser foot assy	1
34	301S11010	001170-3	压脚固定螺钉	screw	1
35	O01006	240095	O型圈8.5x1.8	O ring	1
36	3100201000		K4-1125调压螺钉组件	adjusting bar assembly	1
37	30122023		密封圈	oil guard	1
38	30112017	253028	压脚护罩	finger guard	1
39	S01016	4549	螺钉M6x17	screw	1
40	N01004	4805	螺母	screw	1
41	S12003		螺钉M6x0.75x7	screw	1
42	301S20007	5386	螺钉	screw	2
43	31012072		拉板	pulling plate	1
44	31012032		压板	clamp	1
45	S01004		螺钉	screw	2
46	31012044		支撑板	Support plate	1
47	31012025		固定片	stator	1
48	S01002	7017	螺钉M4x6.5	screw	2
49	S01004		螺钉	screw	2
50	31031004		链条	chain	1
51	30119020		割刀	cutter	1
52	3102200200		钢丝绳	Steel wire rope	1

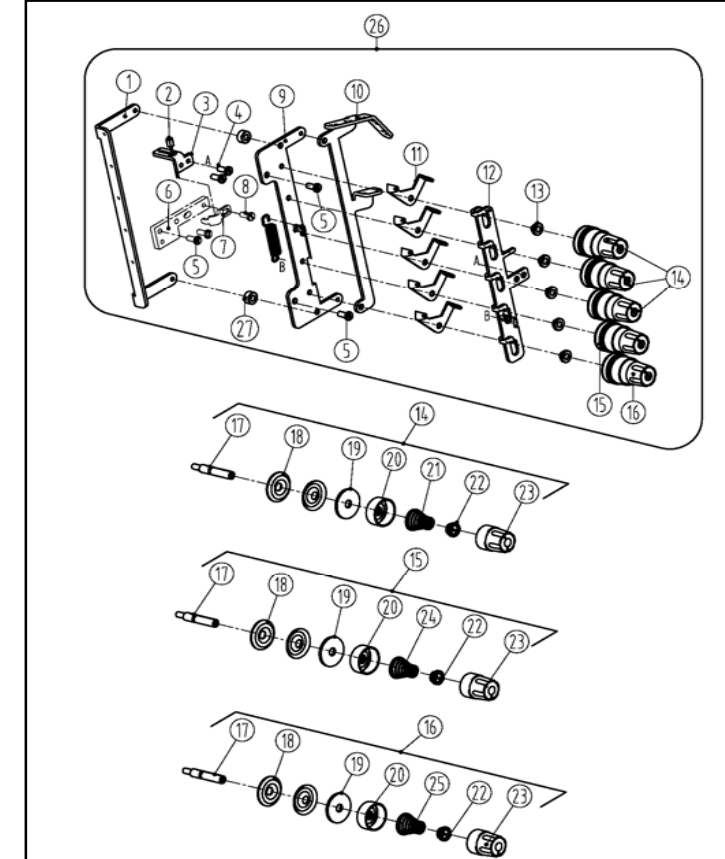
九、送布部件/Need mechanism

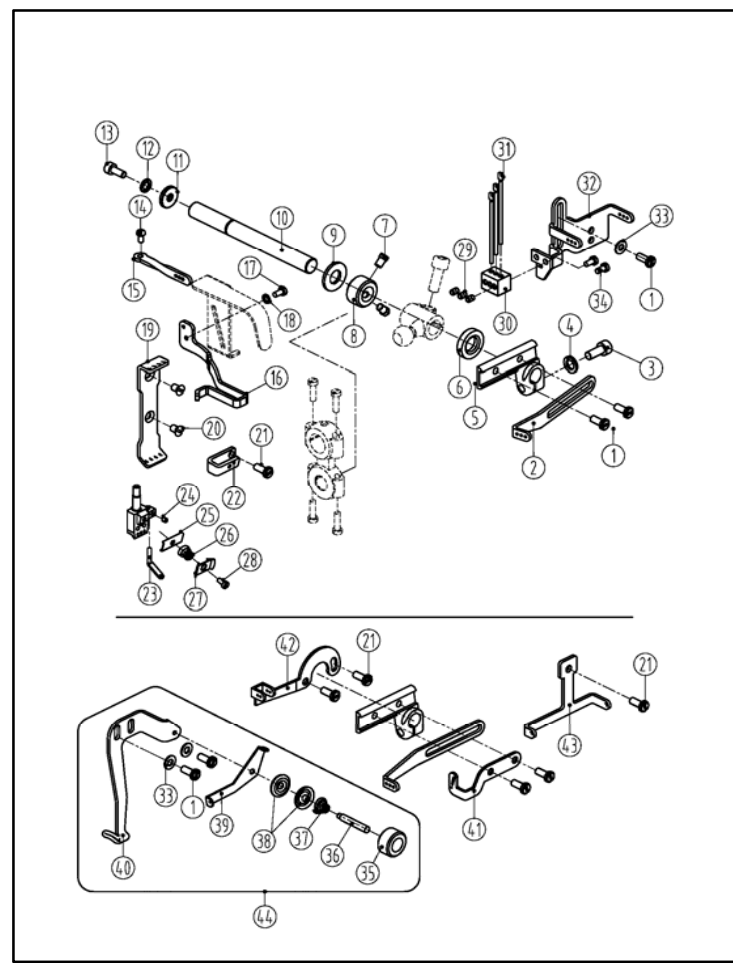
序号 No.	件号 Parts No.	参考件号 Ref. Part No.	名称 Name	Description	数量 Number
1	3021400100		送布组件	feed dog	1
2	30214001		送布牙	main feed dog	1
3	30214002		差动牙	diff feed dog	1
4	301S11024	7019	螺钉	screw	1
5	S01004		螺钉	screw	1
6	S01002	7017	螺钉M4x6.5	screw	2
7	30209050	0950	差动曲柄	differential crank	1
8	S05048	57028	螺钉M4x10	screw	1
9	30203013	252637	衬套	bushing	1
10	30228008	240039	垫圈	washer	1
11	L01004	7056	螺栓M5x0.5x13	screw	1
12	30212099	252629	牙架挡板	guide (left)	1
13	30226032	0932	定位销	pin	1
14	30206003	0903	差动牙架	differential braces	1
15	30206004	0904	送布牙架	feed dog stand	1
16	30209080	0980	滑块	slider	1
17	30202036	0936	拍牙轴	crankshaft	1
18	30205081	0981	连杆	link	1
19	30203041	0941	衬套	bushing	1
20	302509010	0910	螺钉M4x18	screw	1
21	S05003	4531	螺钉M5x10	screw	1
22	302S17005	0905	内六角沉头螺钉	screw	1
23	30228020	1045	锥形垫圈	washer	1
24	30204322	1027	连接销	pin	1
25	30204321	1026	差动摆动连杆	link	1
26	30205008	252636	差动小连杆	link	1
27	30228040	0940	销	pin	1
28	S05003	4531	螺钉M5x10	screw	1
29	30204077	0977	曲柄	link	1
30	30202035	0935	差动轴	crankshaft	1
31	30123014	202175	油线	oil wick	1
32	30126009	210766	销	pin	1
33	20123021	202176	JK795油线	oil wick	1
34	30123001	206748	毛毡	felt	11



十一、喂针部件/Needle feeding assemblies

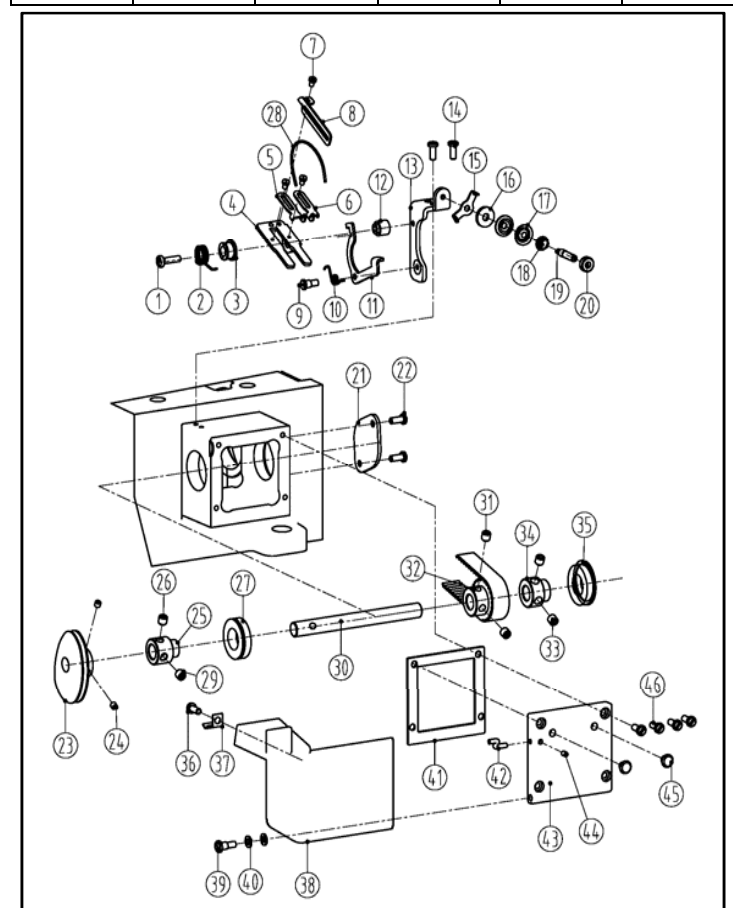
序号 No.	件号 Parts No.	参考件号 Ref. Part No.	名称 Name	Description	数量 Number
1	30110007	254501A	喂针凸轮	eccentric assembly	1
2	S10002	4514	螺钉M5x5	screw	2
3	400059	254511	喂针连杆	connection	1
4	30104024	254503	喂针曲柄	crank	1
5	S05002	4534	螺钉M4x7.5x15.2	screw	1
6	30128006	254504	连杆销	screw	1
7	30128032	210062	垫圈	washer	1
8	N01004	4805	螺母	nut	1
9	30102024	254519	摆动连杆轴	shaft	1
10	30128015	206180	摆动连杆轴垫圈	washer	1
11	H05004	306871	挡圈	ring	1
12	30105013	254506B	喂针摆动连杆	crank	1
13	S100029	4547	螺钉M6x0.75x5	screw	2
14	30128005	254507	喂针摆动块	block	1
15	30202018	254518	喂针摆动轴	crankshaft	1
16	20123021	202176	JK795油线	oil wick	1
17	O01008	233020	O型圈8x1.8	O ring	1
18	20108006		挡圈	collar	1
19	S10026		挡圈螺钉	screw	2
20	30104022	254516	喂针架	lever assembly	1
21	S01005	7020	螺钉M4x10	screw	1
22	S01017	7022	螺钉M4x14	screw	1
23	30117005	257565	喂针	spreader	1
24	30128018		垫圈	washer	1





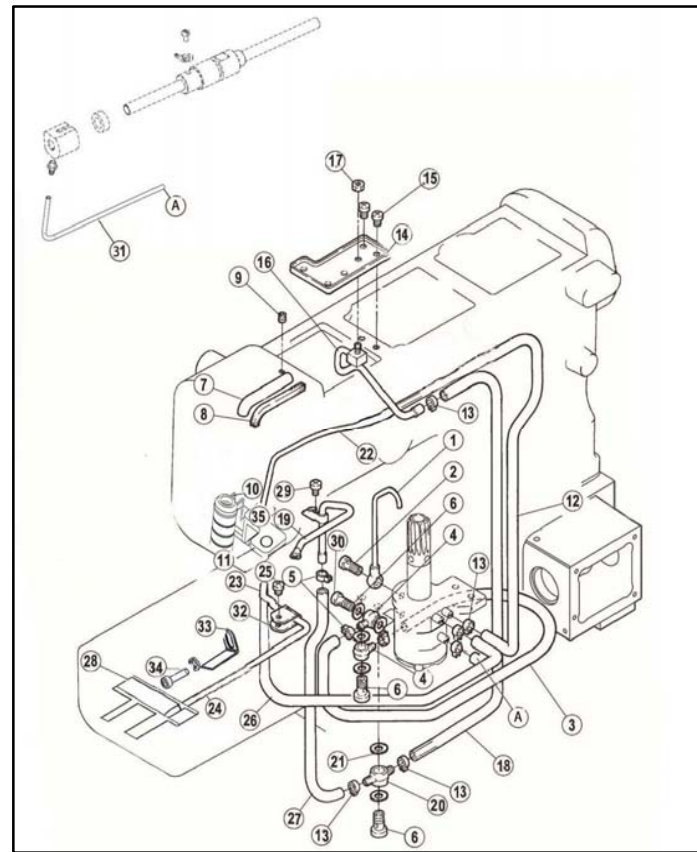
十三、过线部件/Thread loosening assemblies

序号 No.	件号 Parts No.	参考件号 Ref.Part.No.	名称	Description	数量 Number
1	S01004	7019	螺钉M4*7.8	screw	5
2	31013006	253505A	长过线板	thread take-up	1
3	S05004	4501	螺钉M5X14	screw	1
4	W02001	303067	垫圈	washer	1
5	31010118	253504	过线棒	lever	1
6	20622019		油封	plug	1
7	31012001	5064	扁形螺钉	screw	2
8	30108005	240201	挡圈	ring	1
9	310128008		摆架轴垫圈	washer	1
10	31002001	253503	过线轴(中轴)	shaft	1
11	310128019	204107	垫片	washer	1
12	W02002	201252	M4垫圈	washer	1
13	S05048	4527	螺钉M4X10	screw	1
14	S01027	7009	螺钉M3X6	screw	1
15	31013017	253507	三孔过线	thread guide	1
16	31012022		护线罩	thread support	1
17	S01006		螺钉	screw	1
18	30128034		垫圈	washer	1
19	31013005		过线板	thread guide	1
20	206S30016	7170	螺钉	screw	2
21	S01004	7018	螺钉M4*7.8	screw	4
22	31012045		U型夹线座	thread tension bracket	1
23	30112033	253511	螺钉小过线	thread guide	1
24	S10026	4554	螺钉M3*3	screw	1
25	30112025	234561	夹线板	thread guide	1
26	30127014	253517	调压簧	spring	1
27	30112026	253593	压线板	tension disc	1
28	301S20009	OW09070-2	调线螺钉	screw	1
29	S10001	4535	螺钉M3*4	screw	3
30	30113012	253545	针杆过线座	holder	1
31	30113013	234521	过线杆	thread guide	3
32	30112027	253544	硅油合固定架	thread guide	1
33	W01001	303448	M4垫圈片	washer	1
34	S01006	7009	螺钉M3*4.5	screw	2
35	302S16005		调压螺母	adjusting nut	1
36	301S30055		调线螺钉	adjusting screw	1
37	30127016	137109	夹线簧	spring	1
38	20112033	137108	夹线片	thread retainer	2
39	30112032	253547	螺钉二眼过线	thread guide	1
40	31012046	253548	螺钉过线板	thread guide	1
41	31012018		过线板	thread guide	1
42	30112029	253514	螺钉过线	thread guide	1
43	31013011	253515	过线板	thread guide	1
44	3101204600		螺钉过线组件	thread guide	1



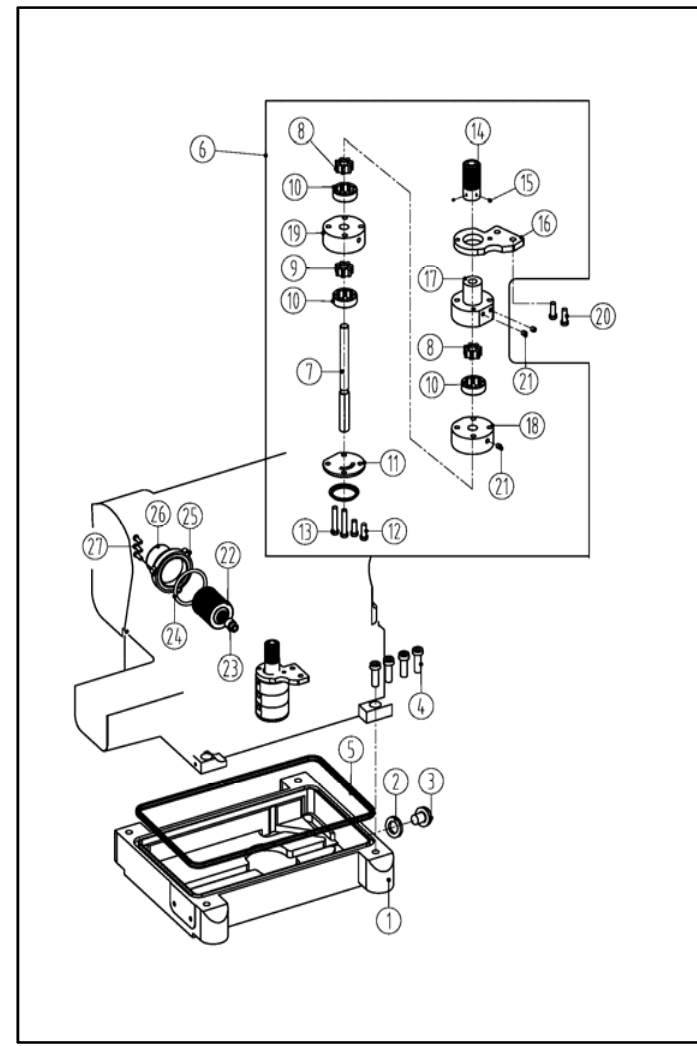
十四、打线凸轮部件/Cam assemblies

序号 No.	件号 Parts No.	参考件号 Ref.Part.No.	名称	Description	数量 Number
1	S04004		螺钉M4*15	screw	1
2	30227016	1516	复位弹簧	reset spring	1
3	30208020	1520	打线架挡圈	fight line retaining ring	1
4	30212068	1568	打线架	bracket	1
5	30313019		过线片(左)	thread guide	1
6	30313020		过线片(右)	thread guide	1
7	S01006	7009	螺钉M3*4.5	screw	3
8	30212084	1584	打线片	thread guide	1
9	310S20007		螺钉	screw	1
10	31027001		复位弹簧	reset spring	1
11	31012037		打线架扳手	fight line wrench	1
12	30208022	1522	挡块	stop	1
13	31012036		托板	layer	1
14	S01002		螺钉M4*6.5	screw	2
15	30213025	167079	过线	thread guide	1
16	10128001		松线螺钉垫片	sticker	3
17	12928036	137108	小夹线片	thread retainer	2
18	12927012	211388	夹线簧	spring	1
19	301S30055		调压螺钉	adjusting screw	1
20	302S16005		调压螺母	adjusting nut	1
21	31012034		轴承盖板	cover	1
22	S01002		螺钉M4*6	screw	2
23	3101302700		打线凸轮组件	looper thread take-up	1
24	S10007		螺钉M4*4	screw	2
25	31008027		定位挡圈	collar	1
26	S12003	4547	螺钉M6*0.75*5	screw	1
27	30224004		轴承6902ZZNR	bearing	2
28	30123022		毛毡	Wool top	1
29	S12003	4547	螺钉M6*0.75*5	screw	1
30	31002012		凸轮轴	shaft	1
31	S12003	4547	螺钉M6*0.75*5	screw	2
32	30235019		凸轮轴同步带轮	time belt	1
33	S12003	4547	螺钉M6*0.75*5	screw	2
34	30203038		轴承套	bushing	1
35	30224004		轴承6902ZZNR	bearing	1
36	S01002		螺钉M4*6	screw	2
37	31027004		卡簧	reset spring	1
38	303602		凸轮护罩(喷漆)	shield	1
39	310S20005		轴位螺钉	screw	1
40	W03007		垫片	spring	2
41	31022011		凸轮轴密封垫	cam gasket	1
42	31022012		卡簧	spring	1
43	303603		凸轮轴盖(喷漆)	cover	1
44	S10007		螺钉M4*4	screw	1
45	30222006		减振垫	cushion	1
46	S01002	7017	螺钉M4*5	screw	4
47	30235021		小同步带	small timing belt	1



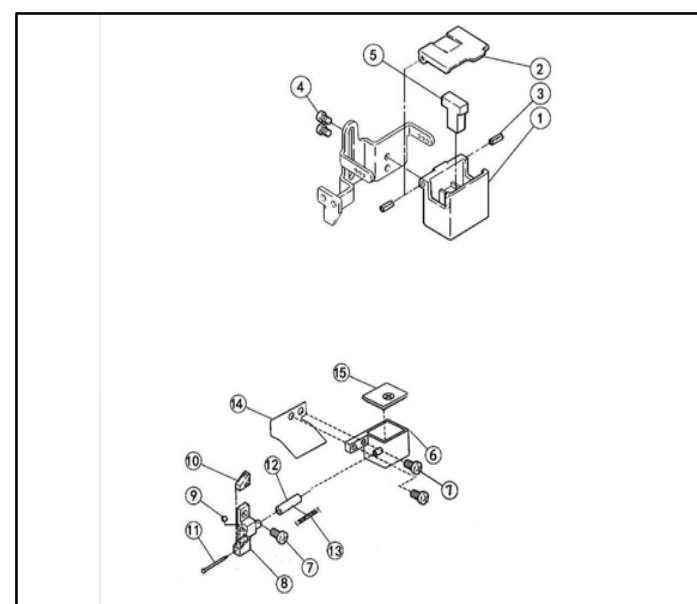
十五、润滑部件/Lubrication assemblies

序号 No.	件号 Parts No.	参考件号 Ref.Part.No.	名称	Description	数量 Number
1	30136006	1609	输油管接头	pipe	1
2	301S30012	255037	输管螺钉	screw	1
3	30121021	205113A	Φ5*Φ7输管	tube	1
4	20636001	200136	输管接头	joint	2
5	30129006	202199	输管卡簧(大)	clamp	2
6	301S30013	200182	过油螺钉	screw	2
7	30121012	255003	输油管	oil pipe	1
8	30123010	240136	油毡	felt	1
9	S10002	4514	螺钉M5*5	screw	1
10	31027005		回油毡卡簧	back felt circlip	1
11	30223023		针杆回油毡	The needle bar back felt	1
12	12921002	240006	Φ3*Φ5输管	screw	1
13	20429001	202199	输管卡簧	clamp	7
14	30112039	255006	抹油毡	oil guard	1
15	S01002	7017	螺钉M4*6.5	screw	2
16	3012010500	255007-91	输油管	oil distributor	1
17	N01001	4821	螺母M4	nut	1
18	12921005	240134	Φ4*Φ6输管	tube	1
19	3022108800	255004-91	输油管件	oil splash pipe	1
20	30136005	255123	缸头输管接头	joint	1
21	20112033		垫圈	washer	7
22	12921002		Φ3*Φ5输管	screw	1
23	S04010	7018A	螺钉M4*5.5	screw	2
24	W01001		垫片	sticker	1
25	30211023		Φ4*Φ6输管	screw	1
26	30223022		抹油毡	felt	1
27	S01002	7018	螺钉M4*7	screw	1
28	201S30004		过油螺钉	joint screw	1
29	12921002		Φ3*Φ5输管	tube	1
30	12512073		输管夹	hosing clamps	1
31	30227040		固定板	screw	1
32	S05048		螺钉	screw	1
33	30223023		上节回油毡	felt	1



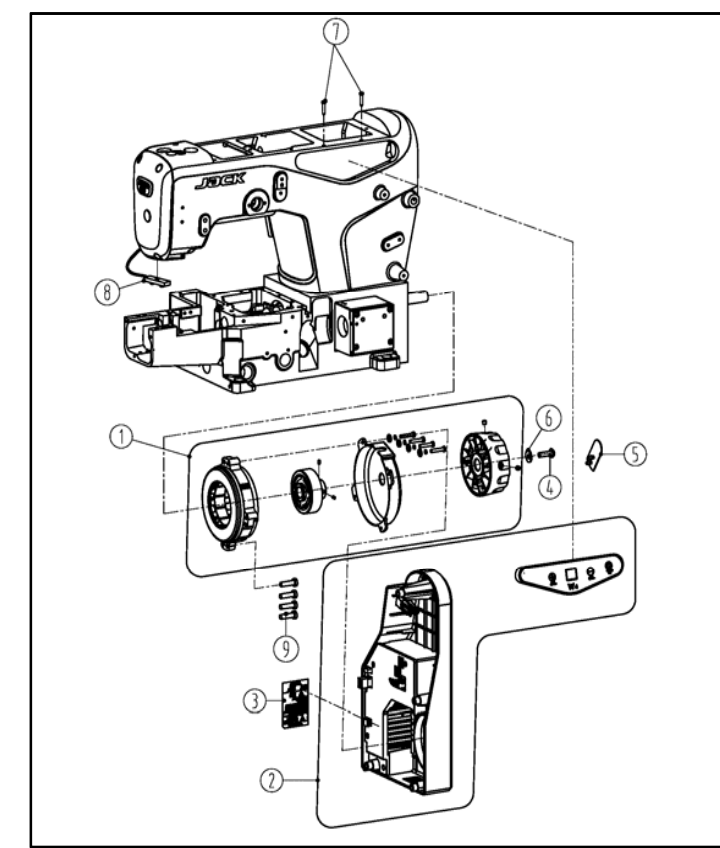
十六、油泵部件/Oil pump assemblies

序号 No.	件号 Parts No.	参考件号 Ref.Part.No.	名称	Description	数量 Number
1	30201029	225041	油盒	oil reservoir	1
2	20528014	202287A	垫圈	washer	1
3	301S11015	5138B	堵油螺钉	screw	1
1	30201029	255041	油盒	oil reservoir assembly	1
2	20528014	202287	垫圈	sticker	1
3	301S11015	5138B	堵油螺钉	screw	1
4	S05007	4504	螺钉M8*20	螺钉M8*20	4
5	30222014	255042	油盒密封圈	O ring	1
6	3022000300	1722	油泵组件	oil pump assy	1
7	30102031	255024	油泵轴	shaft	1
8	30120004	255025	主动轮2	rotor	2
9	30120005	W17-6	主动轮1	rotor	1
10	30120005	255027	从动轮	rotor	3
11	30120008	255028	油盒盖	cover	1
12	301S20011	7105	油泵螺钉	screw	2
13	302S1300	1713	油泵螺钉	screw	2
14	30125003	255019	油泵蜗轮	worm wheel	1
15	S10002	4514	螺钉M5*5	screw	2
16	30120002	W17-4	油泵固定板	oil pump fixer	1
17	30220002	1714	油泵体(上)	pump body	1
18	30120009	1719	油泵体(中)	pump body	1
19	30120003	1720	油泵体(下)	pump body	1
20	S05004	4534	螺钉M5*12	screw	2
21	301S30014	205111	过油螺钉	joint screw	3
22	20136001	206233	滤油器	oil filter	1
23	201S30030	210200	螺钉	screw	1
24	O01010	206431	O型圈38.7*3.55	O ring	1
25	302597	210201-PD	滤油器盖	cover	1
26	30131004	BA3002	提示说明	filter seal	1
27	S01003	7021	螺钉M4*12	screw	3



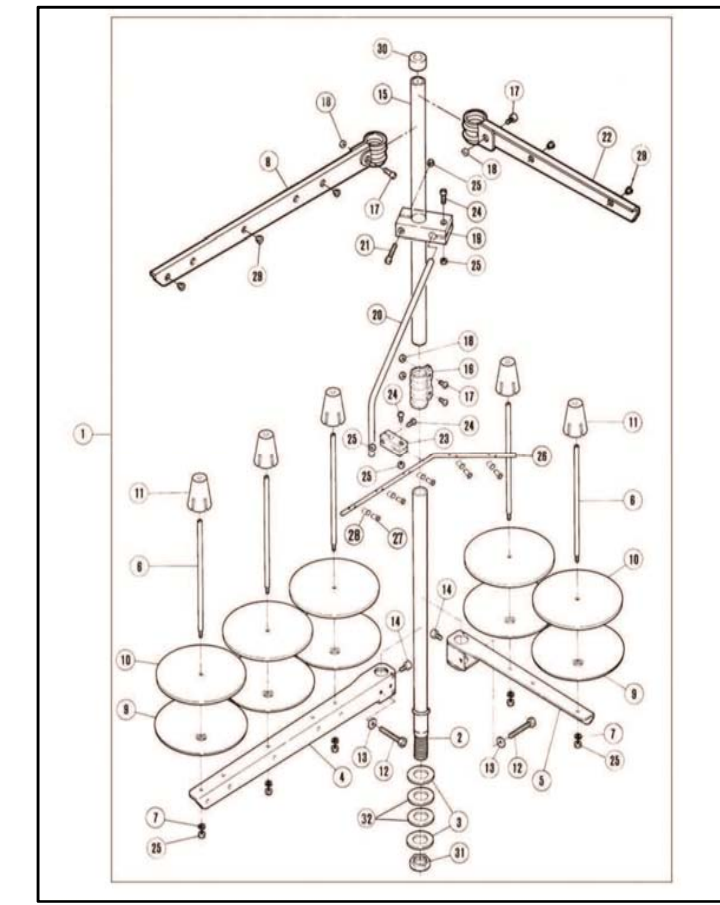
十七、硅油盒装置部件/Silicon oil delice assemblies

序号 No.	件号 Parts No.	参考件号 Ref.Part.No.	名称	Description	数量 Number
1	30111070		上硅油盒	silicone oil reservoir(upper)	1
2	30112040	207067-PD	硅油盒盖	cap	1
3	PD3009	206781	缸头输管接头	joint	2
4	S10002	7009	螺母M4*5	nut	2
5	30123011	207068	硅油毡	felt	1
6	30201075	1075	硅油盒	silicone oil box	1
7	S01004	7019	螺钉M4*7.8	screw	2
8	30201014	255107	固定架	bracket	1
9	30209017	206851	硅胶	plug	1
10	30223005	240247	硅油毡	felt	1
11	30126009	210766	销	pin	1
12	12921002	240246	带尼龙输管	tube	1
13	20123021	202175	JK9568油线	oil wick	1
14	30212666	2666	硅油盒挡板	silicone oil box baffle	1
15	30222028	2028	硅油盒上盖	silicone oil box cover	1



十八、K4D电机部件/Frame assemblies

序号 No.	件号 Parts No.	参考件号 Ref.Part.No.	名称	Description	数量 Number
1	310300100		光电伺服电机	Photoelectric servo motor	1
2	3103000400		电插	plug	1
3	20131063		垫圈	washer	1
4	207S11026		螺钉	screw	1
5	21111018		JACKLOGO	logo	1
6	21228001		垫片	washer	1
7	310S17001		螺钉	screw	2
8	3103000300		LED灯	LED light	1
9	S05068		螺钉M5*20	screw	8



十九、线架部件/Thread pool assemblies

序号 No.	公司件号 Part No.	参考件号 Ref.Part.No.	名称	Description	数量 Number
1	301302790		线架组件	thread assy	1
2	30102032	503-SA	线架下排	thread bar(lower)	1
3	30128024	509	垫圈	washer	2
4	30101028	505SA	长线架	bracket(3-spool)	1
5	30101029	505SA	短线架	bracket(3-spool)	1
6	30131006	380A	线轴	spool pin	5
7	W02002	201252	垫圈 4	washer	5
8	30101030	527-SA	长过线架	bracket(3-spool)	1
9	30631025	381-SA	线轴托盘	spool tray	5
10	20631024	507	托盘垫	cushion	5
11	20131008	382-SA	线固定套	spool retaining	5
12	L20004	7102	螺钉 M6*34	screw	2
13	W01003	512	垫圈 6	washer	2
14	S04001	4022	螺钉 M6*10	screw	2
15	30102034	502-SA	线架上排	thread bar(upper)	1
16	30129005	504-SA	线架卡圈	joint	1
17	S04002	4021	螺钉 M5*16	screw	4
18	W01001	4805	螺母 M5	nut	4
19	30111008	383-SA	线架	bracket	1
20	30130108	384	导丝板	thread guide bar	1
21	S04003	4014	螺钉 M1*25	screw	1
22	30101031	527ASA	短过线架	bracket	1
23	20631017	233-SA	固定套	holder	1
2					