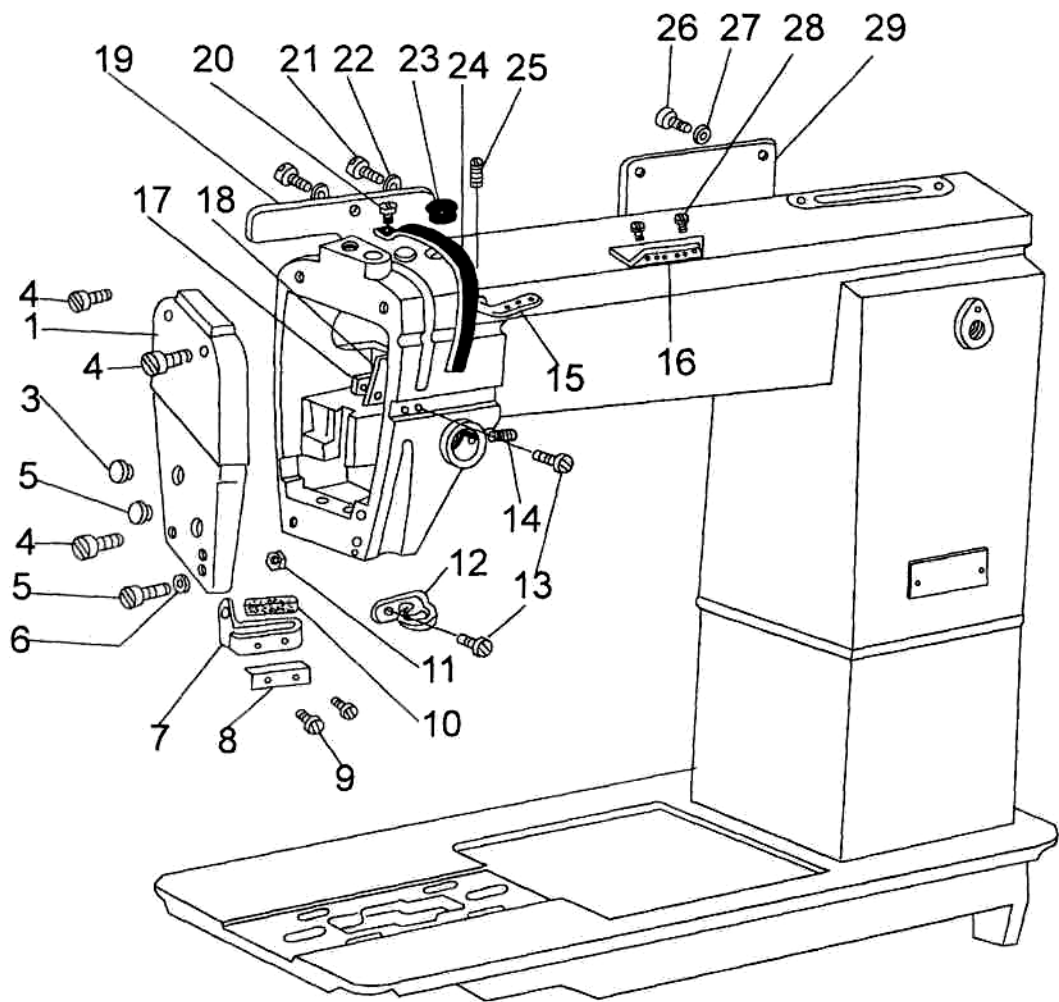


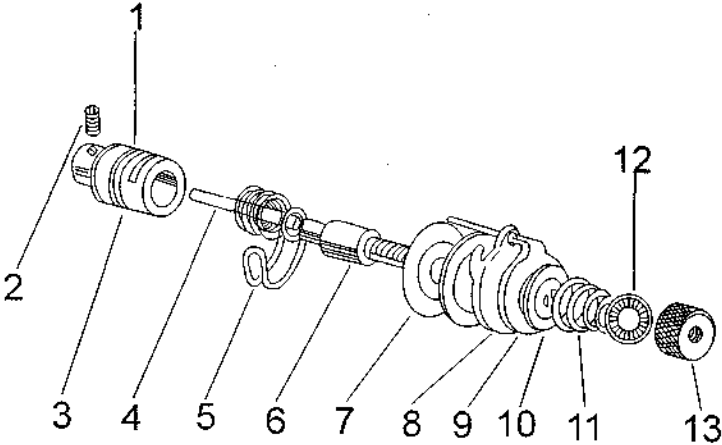
1. Bed Parts



1. Bed Parts

No.	Parts No.	Name	Qt.	Remarks
1	27WF2-005A	Face plate	1	
2	22T1-003C3	Plug (big)	1	
3	22T1-003C4	Plug (small)	1	
4	1WF5-042	Screw	3	
5	1WF1-011	Screw	1	
6	22T1-007	Washer	1	
7	27WF2-005B	Lower thread guide	1	
8	27WF2-005D	Presser plate	1	
9	20T1-013F3	Screw	2	
10	27WF2-005C	Oil felt	1	
11	27WF2-005E	Nut	1	
12	1WF1-008	Upper thread guide	1	
13	1WF1-009	Screw	2	
14	22T1-013	Screw	1	
15	22T1-010	Three-eye thread guide	1	
16	1WF1-015	Upper thread retainer	1	
17	1WF1-021	Block	1	
18	1WF1-020	Oil stopper cover plate	1	
19	27WF2-006	Oil stopper plate		
20	1WF5-042	Screw	1	
21	1WF1-011	Screw	2	
22	22T1-007	Washer	2	
23	27WF2-013	Oil felt	1	
24	27WF2-015	Safety device for thread take-up lever	1	
25	22T1-011	Screw	1	
26	1WF1-011	Screw	3	
27	22T1-007	Washer	3	
28	1WF1-016	Screw	2	
29	27WF2-007	Rear cover	3	

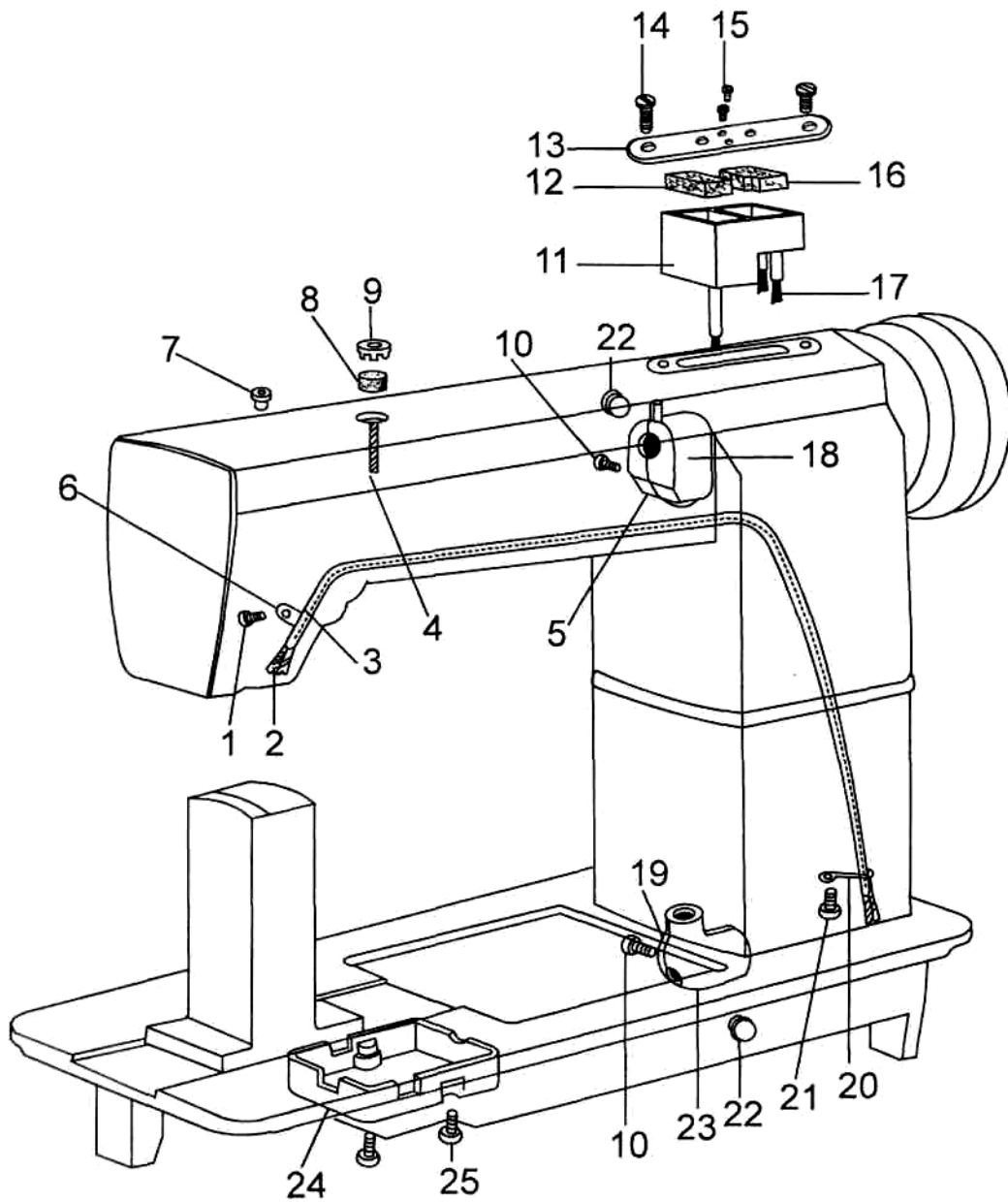
2. Thread tension assembly parts



2. Thread tension assembly parts

No.	Parts No.	Name	Qt.	Remarks
1	22T1-012F11	O-type ring	1	
2	22T1-012F8	Screw	1	
3	27WF2-008J	Thread tension adjusting bracket	1	
4	27WF2-008I	Thread release pin	1	
5	27WF2-008G	Thread take-up spring	1	
6	27WF2-008H	Screw	1	
7	27WF2-008F	Thread tension disc	2	
8	27WF2-008E	Thread tension presser plate	1	
9	27WF2-008D	Stopping plate for thread tension presser plate	1	
10	27WF2-008C	Tension disc separator	1	
11	27WF2-008B	Thread tension spring	1	
12	22T1-012F10	Stopping plate for tension nut	1	
13	27WF2-008A	Thread tension nut assembly	1	

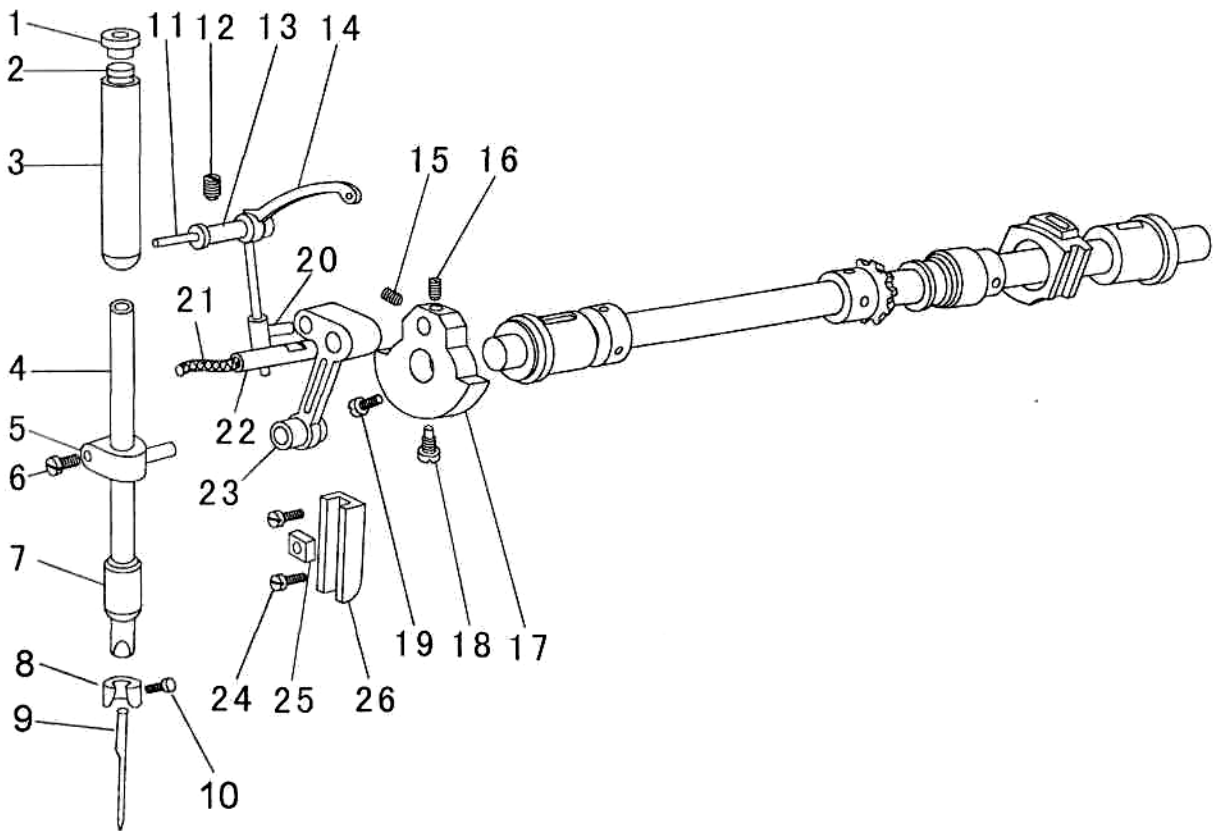
3. Lubrication parts



3. Lubrication parts

No.	Parts No.	Name	Qt.	Remarks
1	16WF1-059	Screw	1	
2		Oil wick	3	
3	27WF2-009A	Oil pipe	1	
4		Oil wick	1	
5	27WF2-016	Oil bag (front)	1	
6	1WF6-042	Upper oil pipe clamp	1	
7	27WF2-012	Oil out-let pad	1	
8	27WF2-013	Oil felt	1	
9	27WF2-011	Oil pad	2	
10		Screw	2	
11	27WF2-014B	Oil box	1	
12	27WF2-014C	Big oil felt	1	
13	27WF2-014A	Upper cover	1	
14	21WF4-055	Screw	2	
15		Screw	2	
16	27WF4-014D	Small oil felt	2	
17		Long oil wick	1	
		Short oil wick	1	
18	27WF2-017	Oil bag (rear)	1	
19	27WF2-018	Oil bag (front)	1	
20	27WF2-010	Lower oil pipe clamp	1	
21	21WF4-055	Screw	1	
22	22T1-017	Rubble plug	2	
23	27WF2-019	Oil bag (rear)	1	
24	27WF2-020	Oil box	1	
25	1WF3-009	Screw	2	

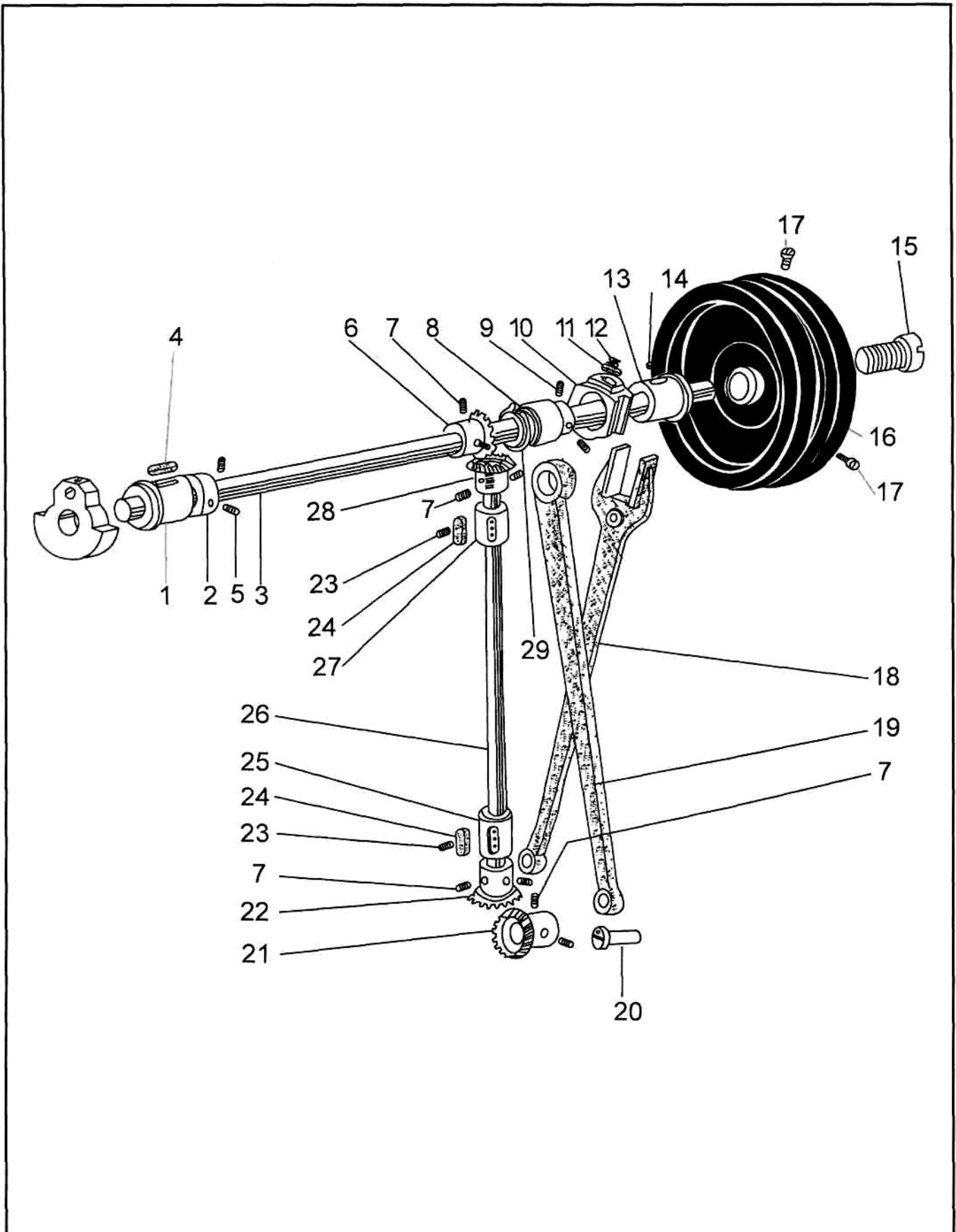
4. Thread take-up assembly parts



4. Thread take-up assembly parts

No.	Parts No.	Name	Qt.	Remarks
1	22WF2-011	Oil pad	1	
2	22T2-010	Oil felt	1	
3	27WF1-003	Needle bar upper bushing	1	
4	29WF1-001	Needle bar	1	
5	22T2-001A8	Needle bar connector	1	
6	22T2-001A9	Screw	1	
7	27WF1-004	Needle bar lower bushing	1	
8	27WF1-002	Thread ring	1	
9		Needle	2	
10	22T2-017	Screw	1	
11		Oil wick	1	
12	JO.0.5	Screw	1	
13	27WF1-007	Thread take-up lever shaft	1	
14	27WF1-006	Thread take-up lever	1	
15	22T3-002B2	Position screw for needle bar crank pin	1	
16	22T2-030	Set screw	1	
17	27WF1-005	Needle bar crank	1	
18	22T2-007	Position screw for needle bar crank	1	
19	22T2-006	Set screw for needle bar crank	1	
20	27WF1-008	Sliding bushing assembly	1	
21		Oil wick	1	
22	27WF1-030	Pin	1	
23	27WF1-009	Needle bar link	1	
24	22T2-019	Sliding block guide rail screw	2	
25	22T2-020	Sliding block	1	
26	22T2-018	Sliding block guide rail	1	

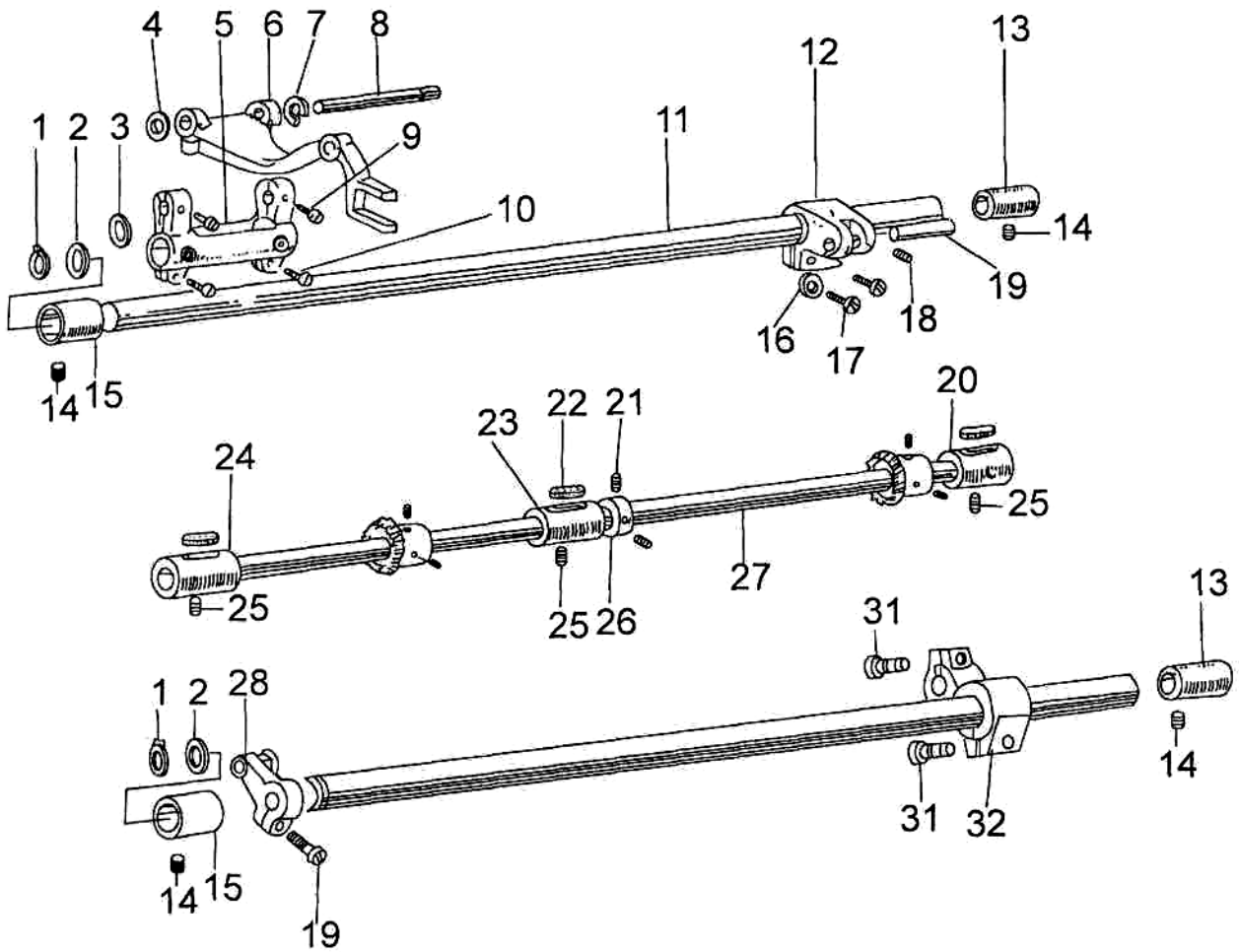
5. Upper shaft and vertical shaft parts



5. Upper shaft and vertical shaft parts

No.	Parts No.	Name	Qt.	Remarks
1	22WF1-011	Upper shaft bushing (left)	1	
2	22T3-002B1	Upper shaft collar	1	
3	27WF1-010	Upper shaft	1	
4	27WF1-012	Oil felt	1	
5	22T3-002B2	Screw	2	
6	22T3-010E2a1-2	Upper shaft bevel gear	1	
7	22T2-005B3	Set screw	8	
8	27WF3-013A	Feed cam	1	
9	22T1-013	Screw	2	
10	22T3-009D1a-2	Sliding block	1	
11	33T2-015	Oil felt	1	
12	33T2-016	Oil felt spring	1	
13	27WF1-013	Upper shaft bushing (right)	1	
14	22WF1-014	Oil felt	1	
15	22T3-008	Screw	1	
16	27WF1-015A	Balance wheel	1	
17	22T3-007C2	Balance wheel screw	2	
18	27WF3-014	Feed drive fork connection	1	
19	27WF3-013B	Feed drive link	1	
20	22T6-007	Pin	1	
21	22T3-010E2b1-2	Upper shaft right bevel gear	1	
22	22T3-010E2b2-2	Vertical shaft bevel gear (lower)	1	
23	JO.0.40	Screw	2	
24	27WF1-017B	Oil felt	1	
25	27WF1-018	Vertical shaft bushing (upper)	1	
26	27WF1-016	Vertical shaft	1	
27	27WF1-017A	Vertical shaft bushing(upper)	1	
28	22T3-010E2a2-2	Vertical shaft bevel gear (upper)	1	
29		Retaining ring	1	

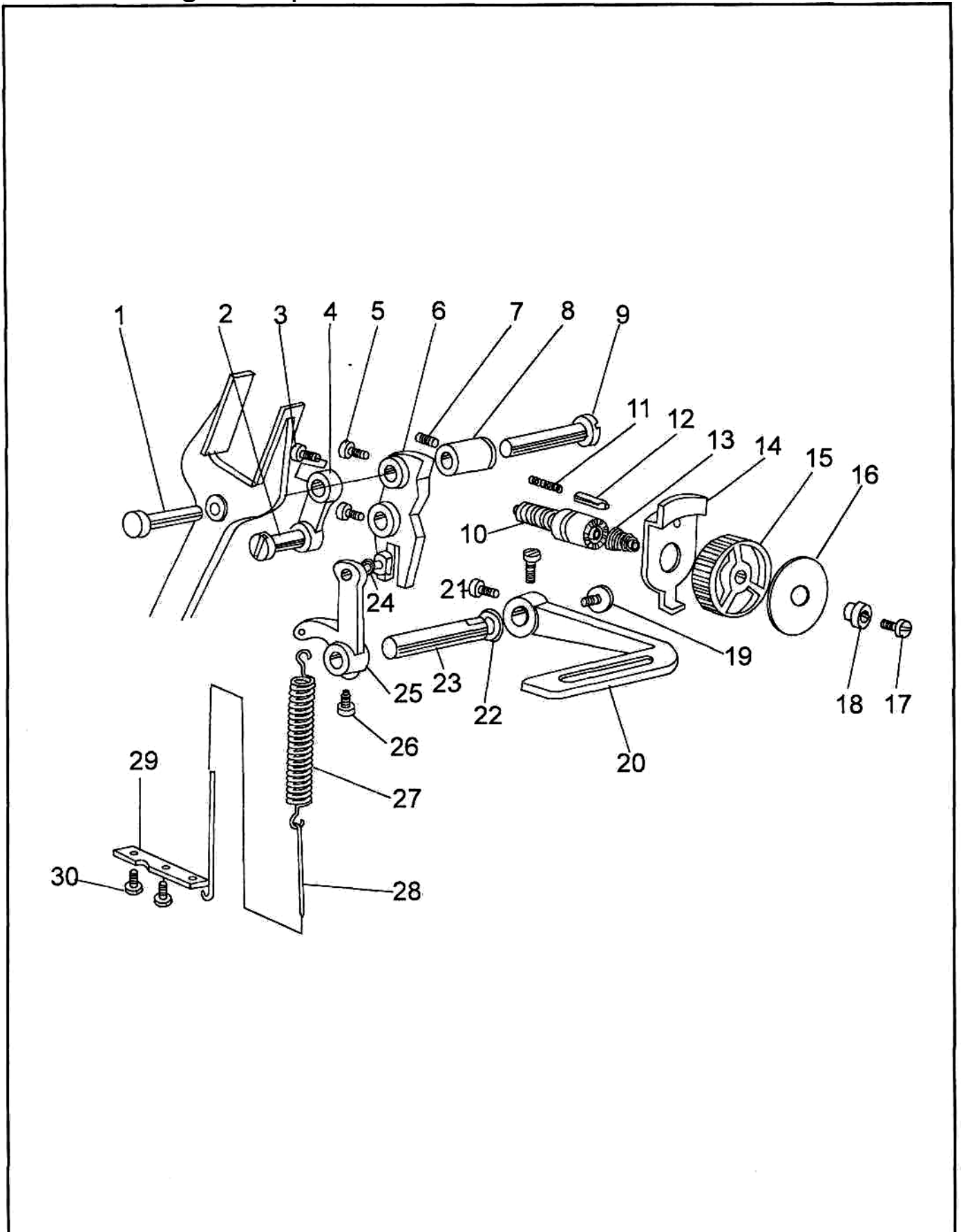
6. Feed drive lower shaft parts



6. Feed drive lower shaft parts

No.	Parts No.	Name	Qt.	Remarks
1		Retaining ring for shaft	2	
2	51T5-013	Washer	2	
3	27WF3-006	Washer	1	
4	27WF3-007	Washer	1	
5	27WF3-021A	Feed crank(left)	1	
6	27WF3-021C	Feed dog support	1	
7		E-type retainer	1	
8	27WF3-021B	Shaft for feed dog support crank	1	
9	22T2-019	Screw	2	
10	22T6-008D3	Screw	2	
11	27WF3-010	Feed drive shaft	2	
12	27WF3-019A	Feed crank	1	
13	27WF3-002	Feed shaft bushing (right)	2	
14	JO.0.40	Screw	4	
15	27WF3-001	Feed shaft bushing(left)	2	
16		Washer	1	
17	22T6-008D3	Screw	2	
18	22T1-011	Screw	1	
19	27WF3-020	Pin	1	
20	27WF1-020A	Lower shaft bushing (left)	1	
21	20T2-018	Screw	2	
22	27WF1-017B	Oil felt	1	
23	27WF1-017A	Lower shaft bushing (middle)	1	
24	27WF1-018	Lower shaft bushing (right)	1	
25	01/B308	Set screw	3	
26	22T4-002B1	Collar	1	
27	27WF1-019	Upper shaft	1	
28	27WF3-023	Feed drive crank (left)assembly	1	
29	22T6-008D3	Screw	1	
30	27WF3-022A	Feed drive crank	1	
31	22T6-001A1b	Screw	2	

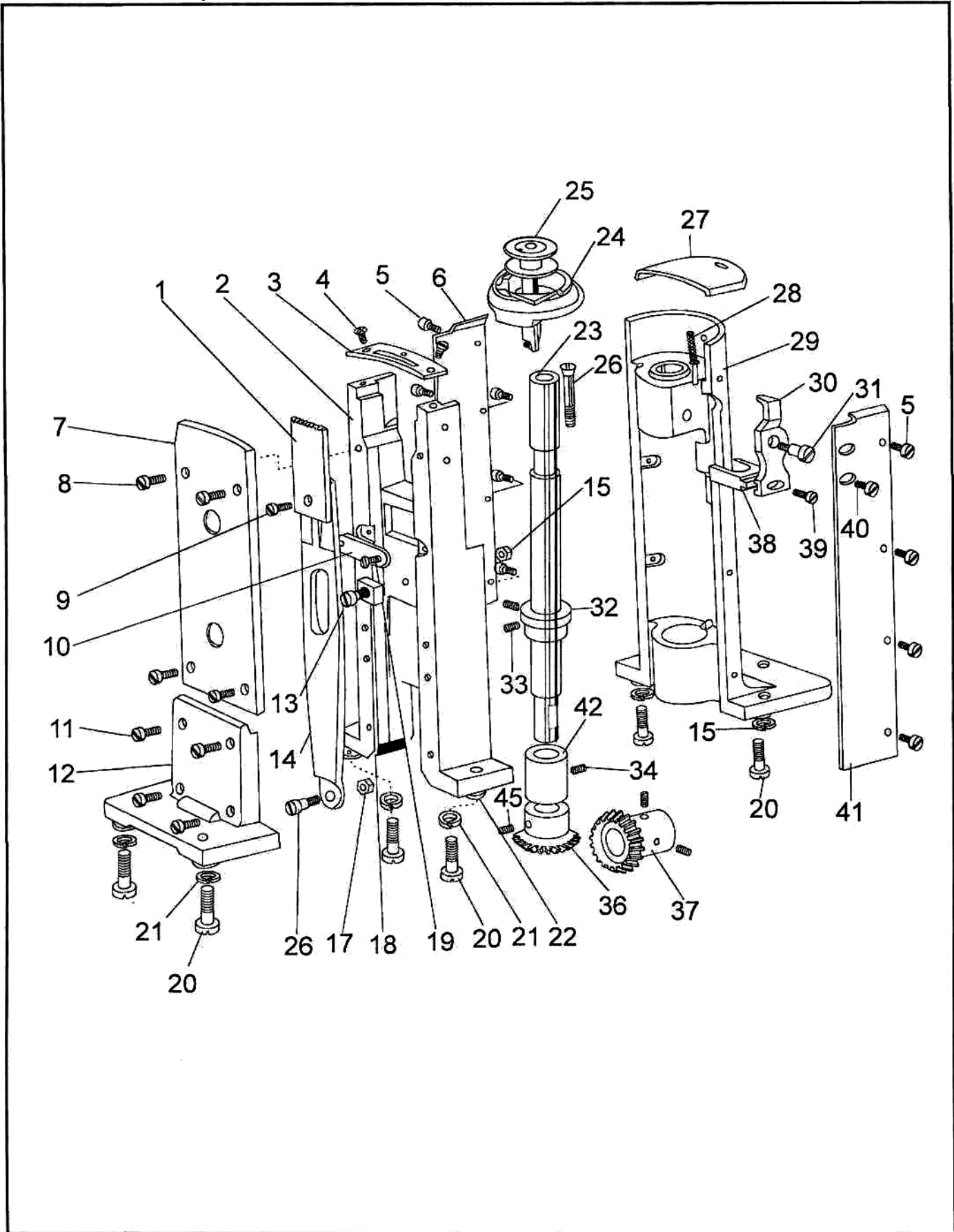
7. Stitch regulator parts



7. Stitch regulator parts

No.	Parts No.	Name	Qt.	Remarks
1	27WF3-011	Pin for feed drive fork connection	1	
2	33T2-024-A	Pin for stitch length connection	1	
3	1WF2-038	Screw	1	
4	22T5-001A2	Stitch regulator connecting link	1	
5	1WF2-038	Screw	2	
6	22WF3-015A	Swing lever for stitch regulator	1	
7	JO.0.40	Screw	1	
8	27WF3-016	Swing lever hinge shaft bushing	1	
9	22T5-004	Pin for stitch regulator swing lever	1	
10	27WF3-017	Stitch length regulator screw	1	
11	22T5-009	Stop pin spring	1	
12	36T5-012	Stop pin	1	
13	36T5-011	Spring	1	
14	36T5-010	Push plate	1	
15	27WF3-004	Dial cup	1	
16	27WF3-003	Dial face	1	
17	27WF3-005	Screw	1	
18	36T5-007D4	Screw bushing	1	
19	22T5-010D3	Screw	1	
20	27WF3-012B	Reverse feed control lever	1	
21	1WF2-038	Screw	2	
22	27WF3-012C	Reverse feed control lever washer	1	
23	27WF3-012A	Short shaft for reverse feed control lever	1	
24	22T5-012E1a	Sliding block assembly	1	
25	22T5-012E1	Reverse feed control lever crank	1	
26	22T5-013	Screw	1	
27	27WF3-008A	Spring	1	
28	27WF3-009	Draw lever	1	
29	27WF3-018	Draw lever bracket	1	
30	22T2-019	Screw	2	

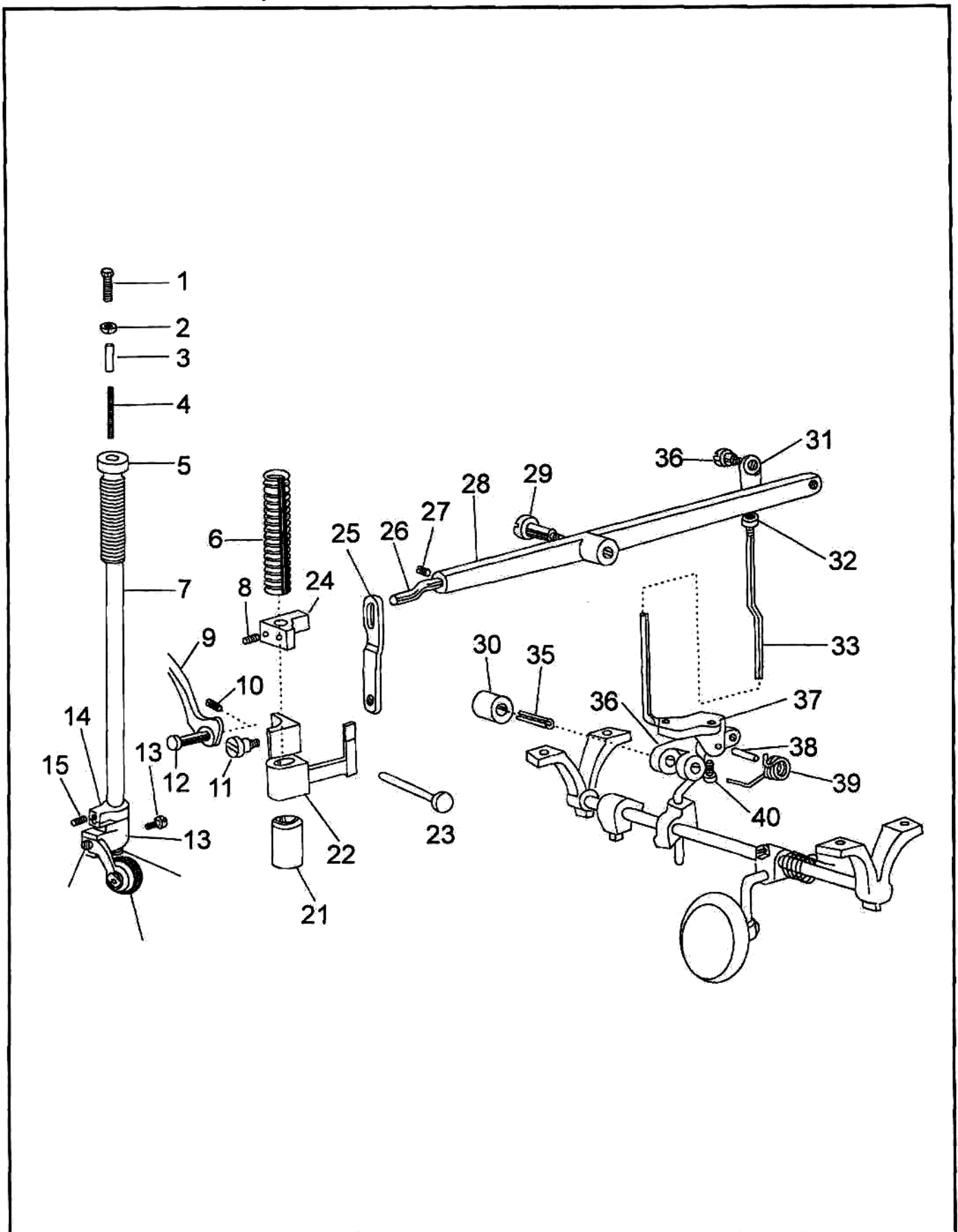
8. Post-bed parts



8. Post-bed parts

No.	Parts No.	Name	Qt.	Remarks
1	27WF3-021G	Feed dog	1	
2	27WF2-024	Post-bed	1	
3	27WF2-025	Needle plate	1	
4	27WF2-026	Screw	2	
5	27WF2-029	Screw	8	
6	27WF2-028	Rear cover of post-bed	1	
7	27WF2-032	Retaining plate	1	
8	22T2-019	Screw	4	
9	22T2-004	Screw	1	
10	27WF3-024	Retaining plate of feed plate	1	
11	22T6-008D3	Screw	4	
12	27WF2-031	Fixed bracket	1	
13	27WF2-026	Screw	1	
14	22WF3-021D	Feed plate	1	
15	1WF2-074	Nut	1	
16	27WF3-021E	Screw	1	
17	27WF3-021F	Nut	1	
18	27WF3-025	Sliding block	1	
19	22T2-020	Screw	2	
20	16WF3-031	Screw	6	
21		Washer	6	
22		Washer	6	
23	22WF1-025	Hook shaft	1	
24		Hook assembly	1	
25	16WF1-063	Bobbin	1	
26	27 WF1-027	Set screw	1	
27	27WF2-021	Sliding plate	1	
28		Oil wick	1	
29	27WF2-023	Hook post-bed	1	
30	27WF1-028A	Position bracket	1	
31	27WF1-029	Screw	1	
32	27WF1-026A	Hook shaft collar	1	
33	22T3-002B2	Screw	2	
34	22T1-011	Screw	1	
35	22T3-002B2	Screw	4	
36	22T1-023A	Lower gearing	1	
37	27WF1-022A	Lower shaft left bevel gearing	1	
38	27WF1-028B	Swing fork	1	
39	7WF5-008	Set screw	1	
40	27WF2-030	Screw	3	
41	27WF2-027	Front plate of post-bed	1	
42	27WF1-024	Hook shaft bushing	1	

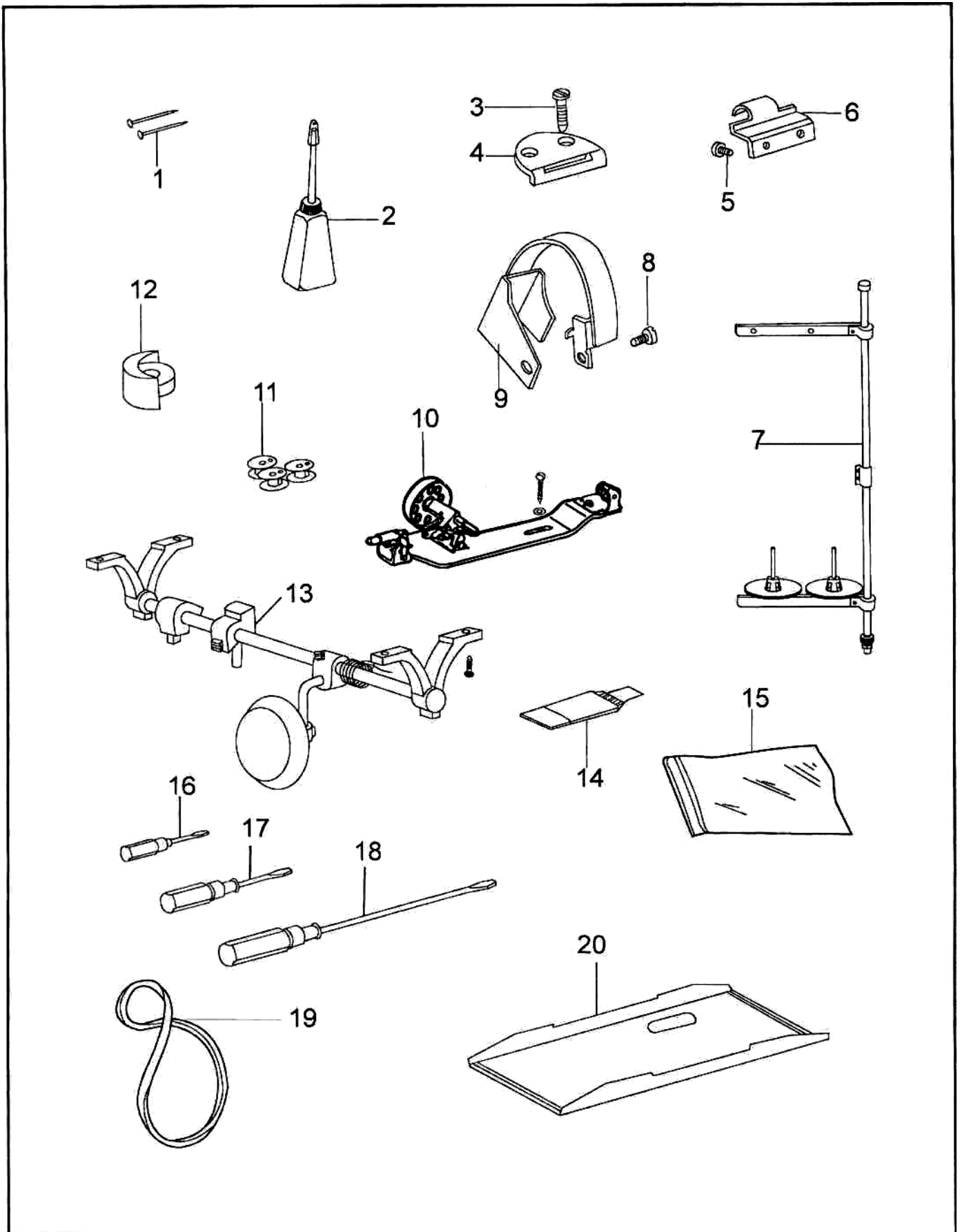
9. Presser foot parts



9. Presser foot parts

No.	Parts No.	Name	Qt.	Remarks
1	27WF4-007	Fine adjusting screw	1	
2	27WF4-008	Nut	1	
3	27WF4-002	Column	1	
4	7WF5-027	Fine adjusting spring	1	
5	27WF4-006	Screw for adjusting pressure	1	
6	27WF4-005	Spring	1	
7	27WF4-001A	Presser bar	1	
8	17T5-016	Screw for guide bracket	1	
9	27WF4-009	Presser foot lifter bar	1	
10	17T5-016	Screw	1	
11	27WF4-010C	Screw	1	
12	27WF4-004	Pin	1	
13	27WF4-001F	Screw	2	
14	27WF4-001C	Position block	1	
15	22T1-013	Screw	1	
16	27WF4-020	Screw	1	
17	29WF2-016	Roller presser foot complete	1	
18	27WF4-001B	Roller presser foot clamp	1	
19	27WF4-001D	Spring	1	
20	25WF4-001	Aided presser foot bracket	1	
21	25WF4-002	Aided presser foot	1	
22	25WF4-003	Washer	1	
23	25WF4-004	Screw	1	
24	22T7-009	Bushing	1	
25	27WF4-010A	Lifting block	1	
26	27WF4-011	Thread releasing rob	1	
27	27WF4-003	Guide bracket	1	
28	27WF4-010B	Connecting lever	1	
29	27WF4-014B	Pin	1	
30	01/B602	Screw	1	
31	27WF4-014A	Knee lifter cutting lever	1	
32	27WF4-015	Screw	1	
33	27WF4-018	Connecting screw	1	
34	27WF4-017	Connector	1	
35	1WF2-074	Nut	1	
36	27WF4-016	Knee lifter drawing lever	1	
37	27WF4-019A	Gyro roller	1	
38		Elastic pin	1	
39	27WF4-019B	Crank	1	
40	27WF4-019C	Crank bracket	1	
41		Pin	1	
42	27WF4-019D	Spring	1	
43	28WF4-005	Screw	2	
44	29WF-019	Connecting block	1	
45	J0.0.50	Screw	1	
46	29WF-019	Pin	1	

10. Accessories



10. Accessories

No.	Parts No.	Name	Qt.	Remarks
1	33TF-004	Screw for oil pan and cushion	8	
2	33TF-011	Small oil pot	1	
3		Screw for hinge case	4	
4	16WF6-003	Hinge case	2	
5	16WF6-004	Screw for hinge	1	
6	16WF6-002	Hinge	2	
7	4F-007	F-type spool stand	1	
8	27WF5-005	Screw	2	
9	27WF5-004	Safety cover for belt	1	
10	27F-002	Bobbin winder assembly	1	
11	16WF1-063	Bobbin	3	
12	16WF6-009	Cushion	4	
13	27F-001	Knee lifter control assembly	1	
14		Needle DP X 5 16#	4	
15	33TF-010	Parts bag	1	
16	33TF-014	Screw driver (small)	1	
17	33TF-013	Screw driver (medium)	1	
18	33TF-012	Screw driver (big)	1	
19	27F-004	V-belt	1	
20	27WF5-002	Oil pan	1	