

目次

頁

TABLE OF CONTENTS

Page

アームベッド機構	2-3	MACHINE BED FRAME	2-3
カバー機構(1)-(3)	4-9	COVER(1)-(3)	4-9
下軸機構	10-11	CRANKSHAFT DRIVE MECHANISM	10-11
上軸機構	12-13	ARM SHAFT MECHANISM	12-13
針棒機構	14-15	NEEDLE BAR MECHANISM	14-15
針受機構	16-17	NEEDLE GUARD MECHANISM	16-17
ルーバー機構	18-19	LOOPER DRIVE MECHANISM	18-19
送り機構(1)-(3)	20-25	FEED MECHANISM(1)-(3)	20-25
押エ機構	26-27	PRESSER FOOT MECHANISM	26-27
飾り振り機構	28-29	SPREADER MECHANISM	28-29
糸調子機構	30-31	THREAD TENSION MECHANISM	30-31
針糸・飾り糸機構	32-33	NEEDLE & SPREADER THREAD HANDLING	32-33
下糸繰り機構	34-35	LOOPER THREAD HANDLING	34-35
給油機構(1)-(2)	36-39	LUBRICATION MECHANISM(1)-(2)	36-39
HR装置	40-41	HR DEVICE	40-41
糸立台	42-43	THREAD STAND	42-43
半沈床式据付付属品	44-45	PARTS FOR SEMI-SUBMERGED INSTALLATION	44-45
専用部品(1)-(2) [-01,01D]	46-49	SPECIFIC PARTS(1)-(2) [-01,01D]	46-49
専用部品(3) [-02]	50-51	SPECIFIC PARTS(3) [-02]	50-51
専用部品(4) [-03,04]	52-53	SPECIFIC PARTS(4) [-03,04]	52-53
専用部品(5)-(6) [-05]	54-57	SPECIFIC PARTS(5)-(6) [-05]	54-57
専用部品(7) [-05/FT]	58-59	SPECIFIC PARTS(7) [-05/FT]	58-59
専用部品(8)-(9) [-06,07]	60-63	SPECIFIC PARTS(8)-(9) [-06,07]	60-63
専用部品(10)-(11) [-05,07/MD]	64-67	SPECIFIC PARTS(10)-(11) [-05,07/MD]	64-67
専用部品(12) [-08,21,22]	68-69	SPECIFIC PARTS(12) [-08,21,22]	68-69
専用部品(13)-(14) [-21,22]	70-73	SPECIFIC PARTS(13)-(14) [-21,22]	70-73
専用部品(15) [-84]	74-75	SPECIFIC PARTS(15) [-84]	74-75
ゲージパーツ系列構成図	76-101	GAUGE PARTS CONSTRUCTION CHARTS	76-101
ゲージパーツ表	102-115	GAUGE PARTS LIST	102-115
部品番号インデックス	116-	PART NUMBER INDEX	116-

W541-561-05 & W561-21,22 を除く全機種
All subclasses except W541-561-05 & W561-21,22

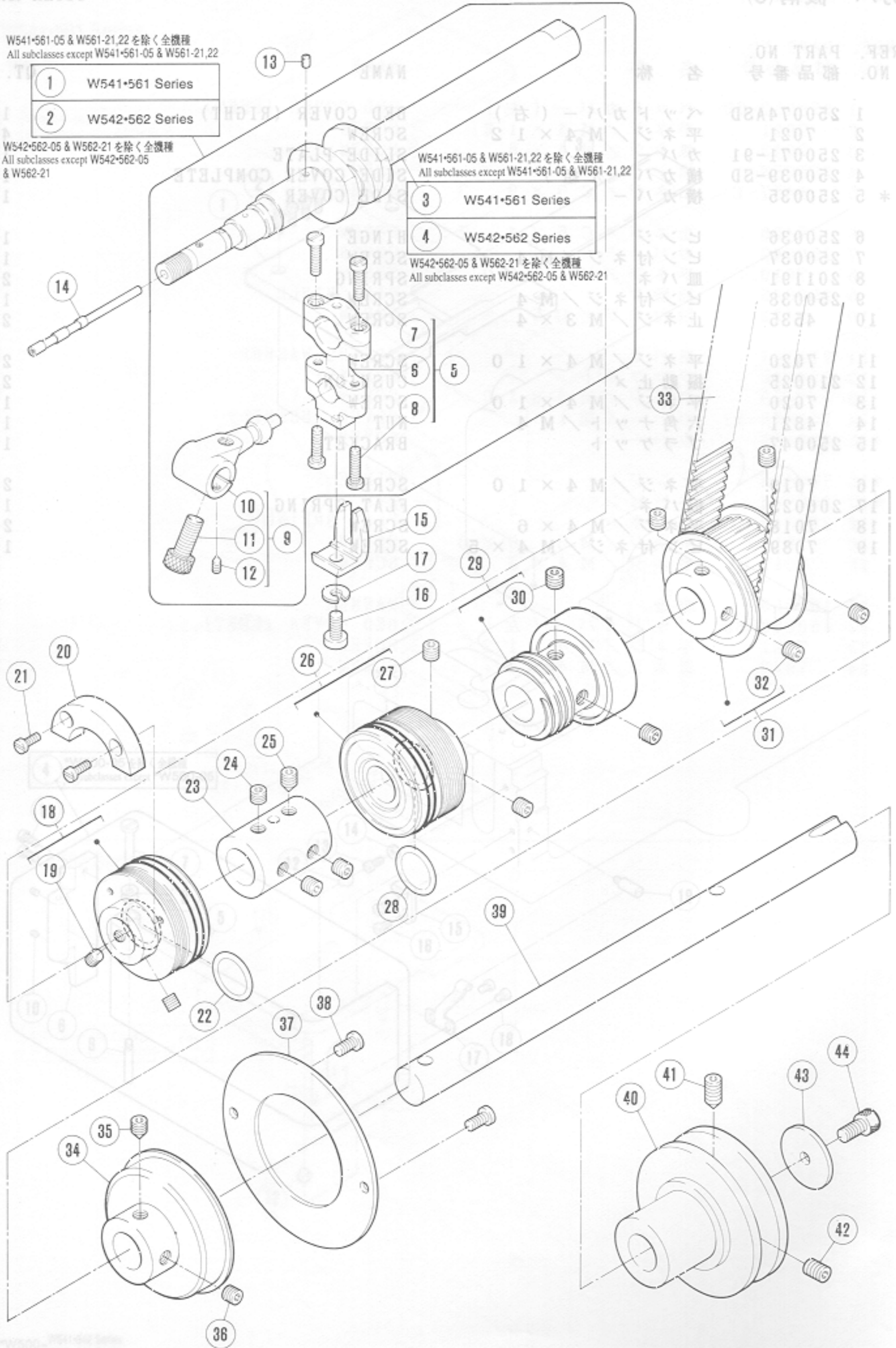
- 1 W541-561 Series
- 2 W542-562 Series

W542-562-05 & W562-21 を除く全機種
All subclasses except W542-562-05 & W562-21

W541-561-05 & W561-21,22 を除く全機種
All subclasses except W541-561-05 & W561-21,22

- 3 W541-561 Series
- 4 W542-562 Series

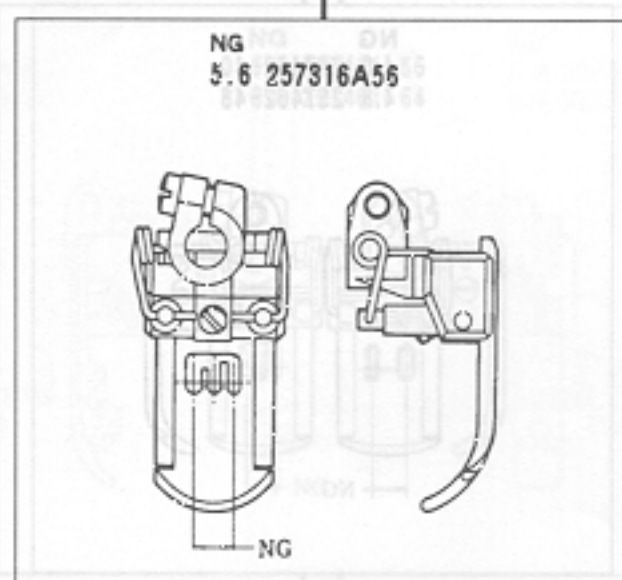
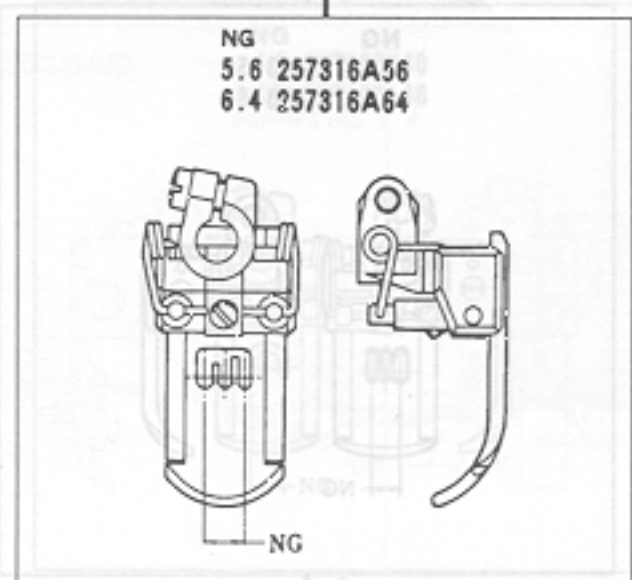
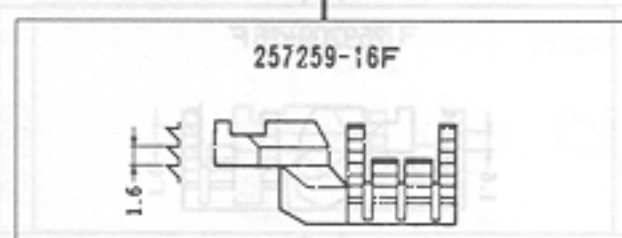
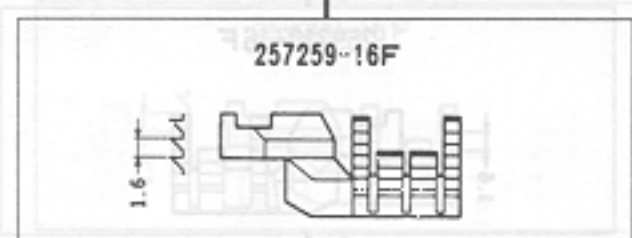
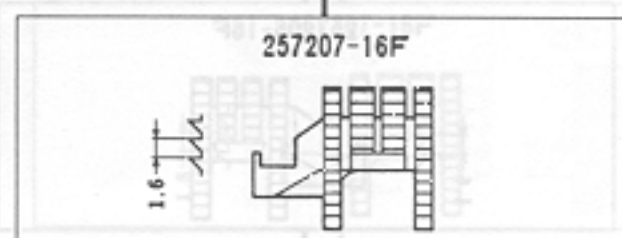
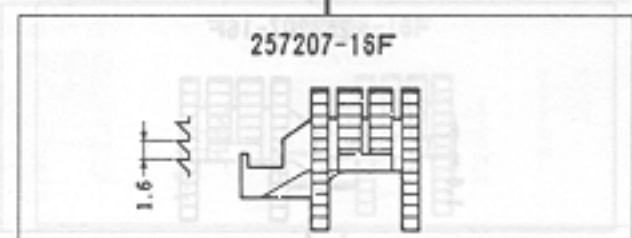
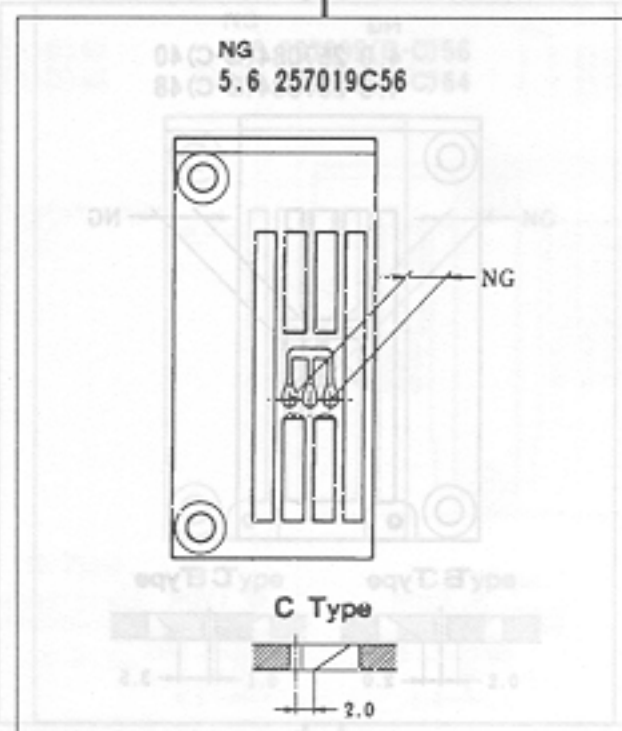
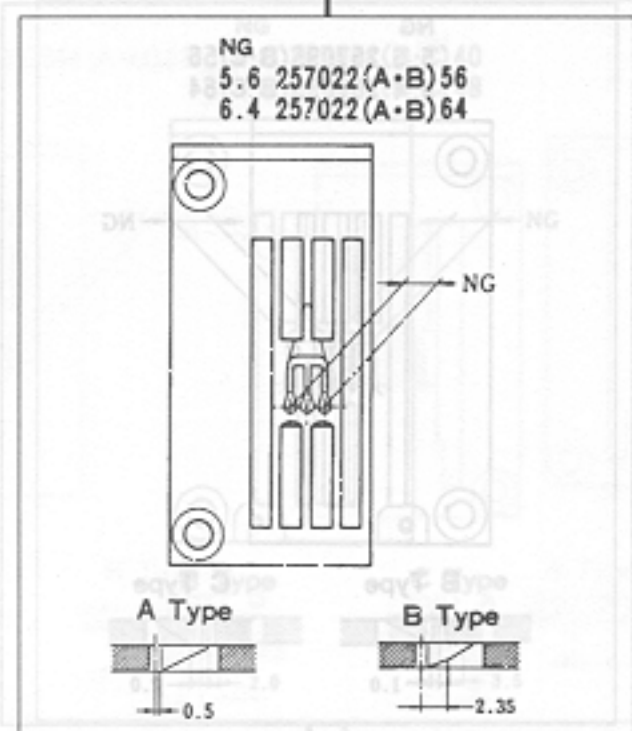
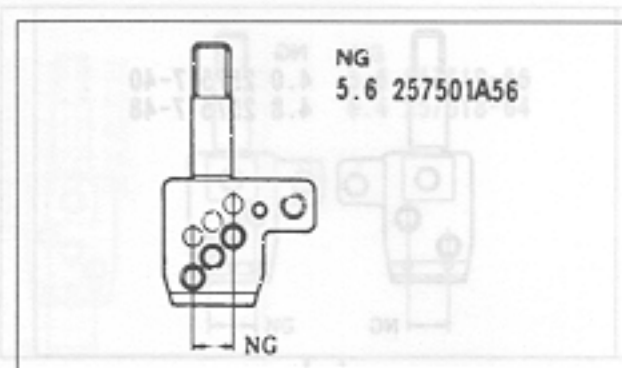
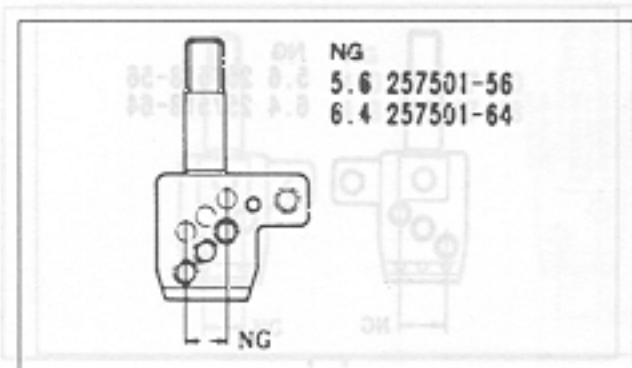
W542-562-05 & W562-21 を除く全機種
All subclasses except W542-562-05 & W562-21



REF. PART NO. 部品番号

1	2500742D
2	7021
3	250071-91
4	250039-2D
5	250035 *
6	250036
7	250037
8	201191
9	250038
10	4785
11	7020
12	210025
13	7020
14	4811
15	250035
16	7011
17	200027
18	7018
19	7888

W561・W562-21BA, BB
W561-22AC



W561・562-21BA, BB
× 356・364

W561-22AC
× 356

機種 MACHINE	針板 NEEDLE PLATE
W561・562-21BA	A TYPE
W561・562-21BB	B TYPE
W561-22AC	C TYPE

ルーバー、スプレッター、針受は76頁を参照してください。
See page 76 for the looper, spreader and needle guards.

目次

TABLE OF CONTENTS

	頁		Page
アームベッド機構	2-3	MACHINE BED FRAME	2-3
カバー機構(1)-(3)	4-9	COVER(1)-(3)	4-9
下軸機構	10-11	CRANKSHAFT DRIVE MECHANISM	10-11
上軸機構	12-13	ARM SHAFT MECHANISM	12-13
針棒機構	14-15	NEEDLE BAR MECHANISM	14-15
針受機構	16-17	NEEDLE GUARD MECHANISM	16-17
ルーバー機構	18-19	LOOPER DRIVE MECHANISM	18-19
送り機構(1)-(3)	20-25	FEED MECHANISM(1)-(3)	20-25
押エ機構	26-27	PRESSER FOOT MECHANISM	26-27
飾り振り機構	28-29	SPREADER MECHANISM	28-29
糸調子機構	30-31	THREAD TENSION MECHANISM	30-31
針糸・飾り糸機構	32-33	NEEDLE & SPREADER THREAD HANDLING	32-33
下糸繰り機構	34-35	LOOPER THREAD HANDLING	34-35
給油機構(1)-(2)	36-39	LUBRICATION MECHANISM(1)-(2)	36-39
HR装置	40-41	HR DEVICE	40-41
糸立台	42-43	THREAD STAND	42-43
半沈床式据付付属品	44-45	PARTS FOR SEMI-SUBMERGED INSTALLATION	44-45
専用部品(1)-(2) [-01,01D]	46-49	SPECIFIC PARTS(1)-(2) [-01,01D]	46-49
専用部品(3) [-02]	50-51	SPECIFIC PARTS(3) [-02]	50-51
専用部品(4) [-03,04]	52-53	SPECIFIC PARTS(4) [-03,04]	52-53
専用部品(5)-(6) [-05]	54-57	SPECIFIC PARTS(5)-(6) [-05]	54-57
専用部品(7) [-05/FT]	58-59	SPECIFIC PARTS(7) [-05/FT]	58-59
専用部品(8)-(9) [-06,07]	60-63	SPECIFIC PARTS(8)-(9) [-06,07]	60-63
専用部品(10)-(11) [-05,07/MD]	64-67	SPECIFIC PARTS(10)-(11) [-05,07/MD]	64-67
専用部品(12) [-08,21,22]	68-69	SPECIFIC PARTS(12) [-08,21,22]	68-69
専用部品(13)-(14) [-21,22]	70-73	SPECIFIC PARTS(13)-(14) [-21,22]	70-73
専用部品(15) [-84]	74-75	SPECIFIC PARTS(15) [-84]	74-75
ゲージパーツ系列構成図	76-101	GAUGE PARTS CONSTRUCTION CHARTS	76-101
ゲージパーツ表	102-115	GAUGE PARTS LIST	102-115
部品番号インデックス	116-	PART NUMBER INDEX	116-

W541-561-05 & W561-21,22 を除く全機種
All subclasses except W541-561-05 & W561-21,22

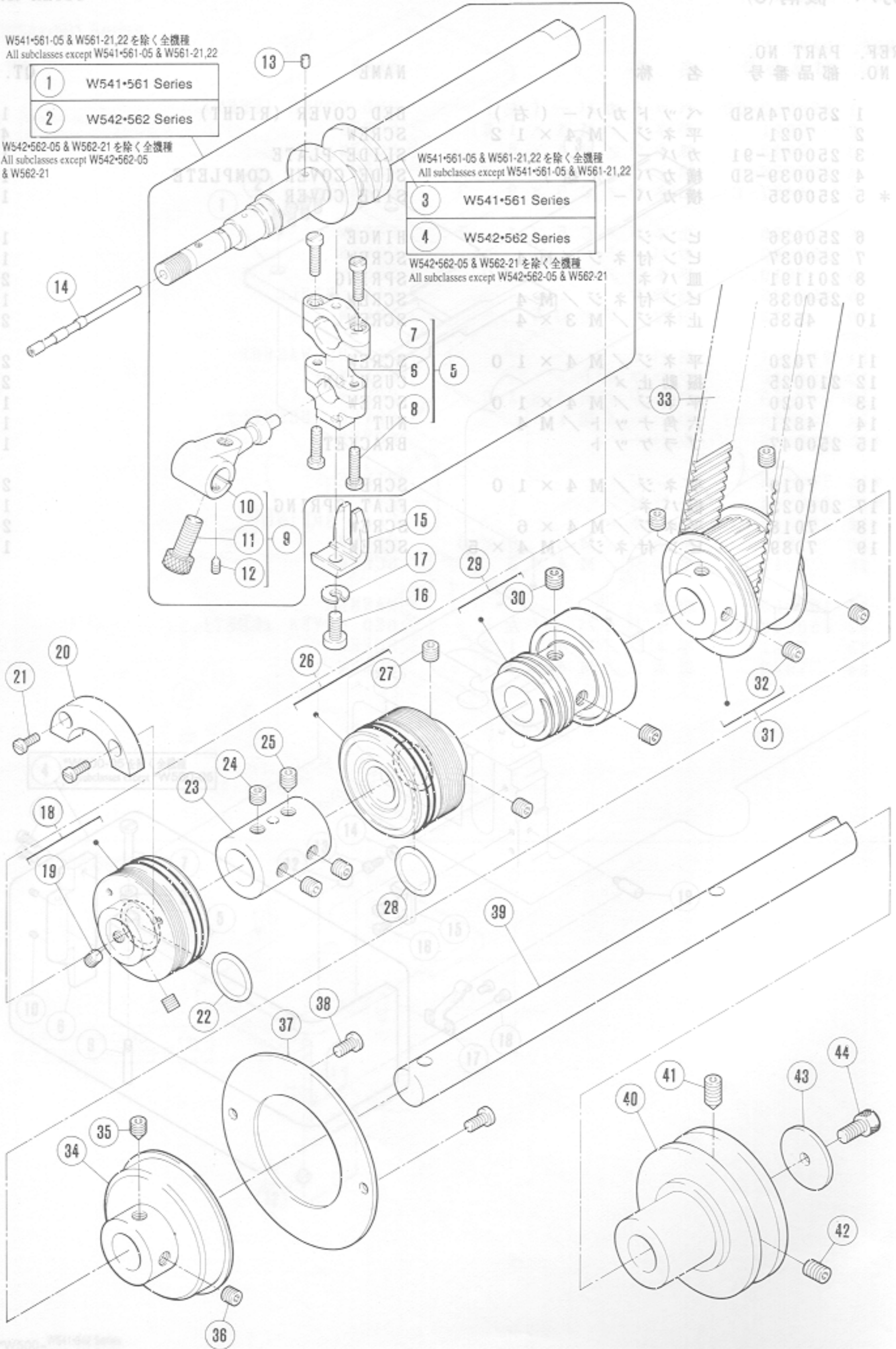
- 1 W541-561 Series
- 2 W542-562 Series

W542-562-05 & W562-21 を除く全機種
All subclasses except W542-562-05 & W562-21

W541-561-05 & W561-21,22 を除く全機種
All subclasses except W541-561-05 & W561-21,22

- 3 W541-561 Series
- 4 W542-562 Series

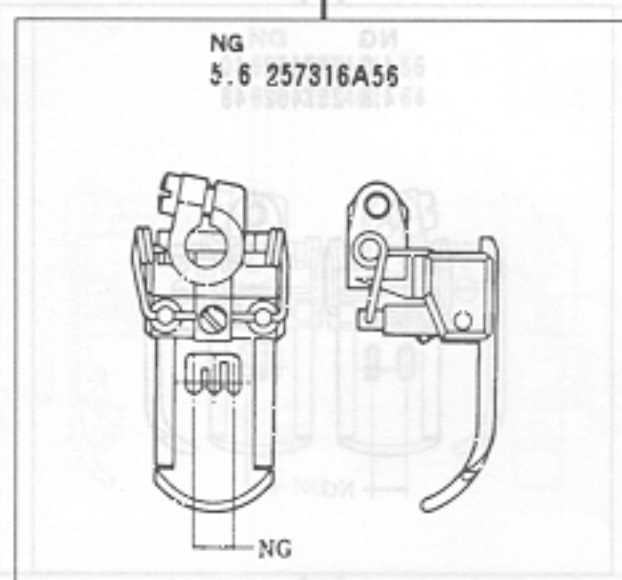
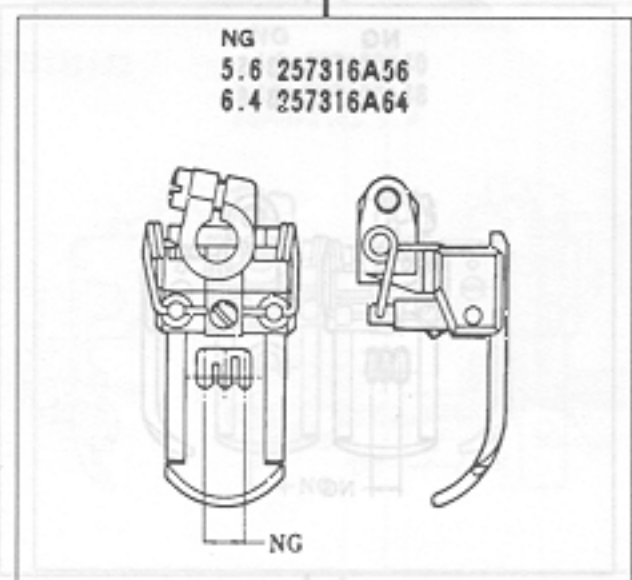
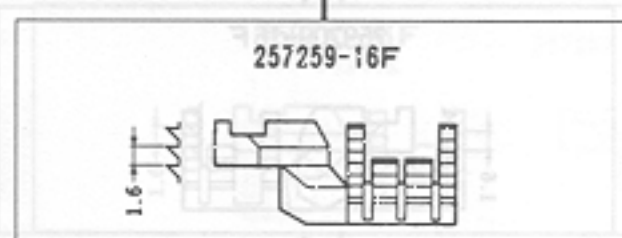
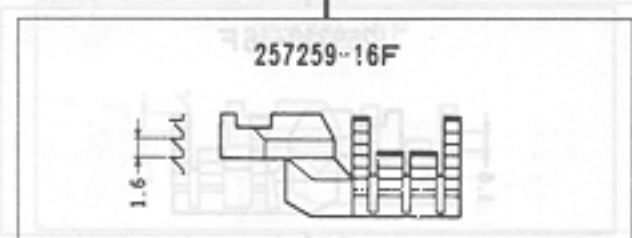
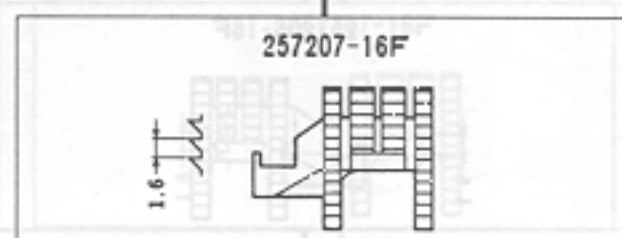
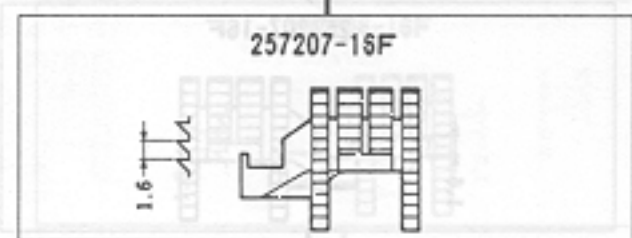
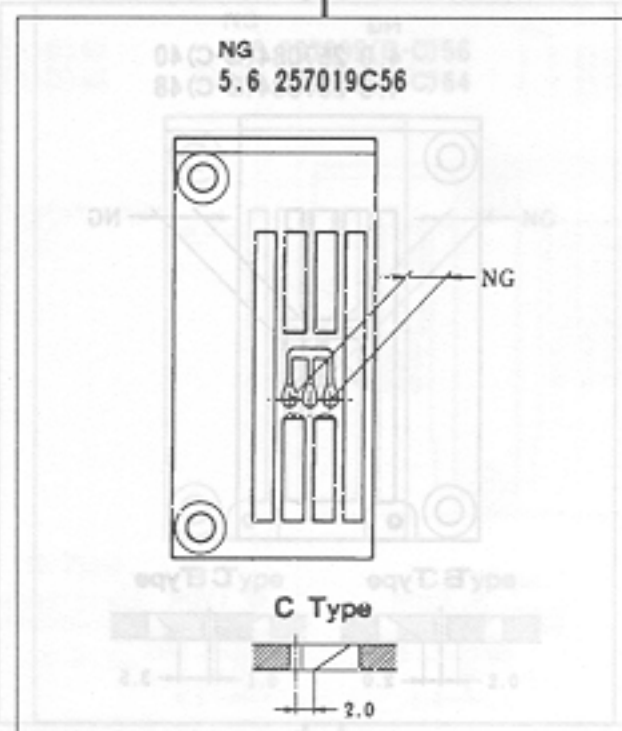
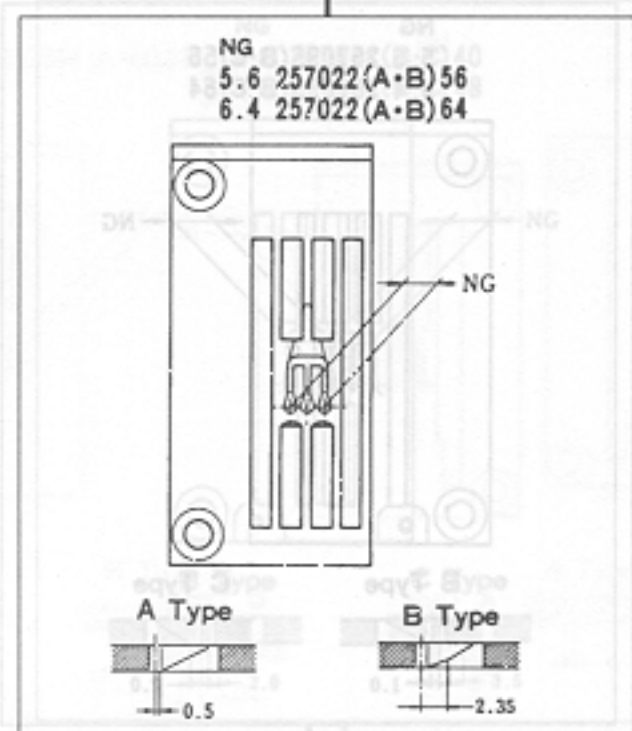
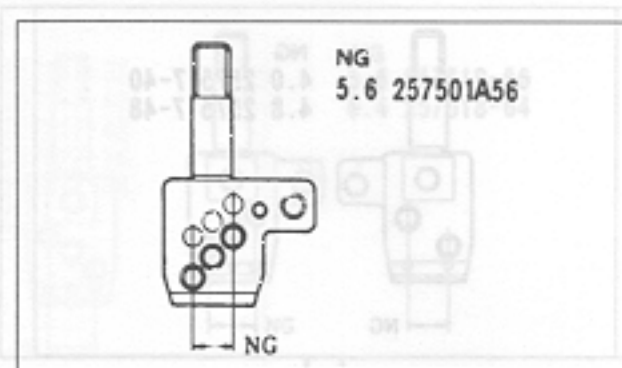
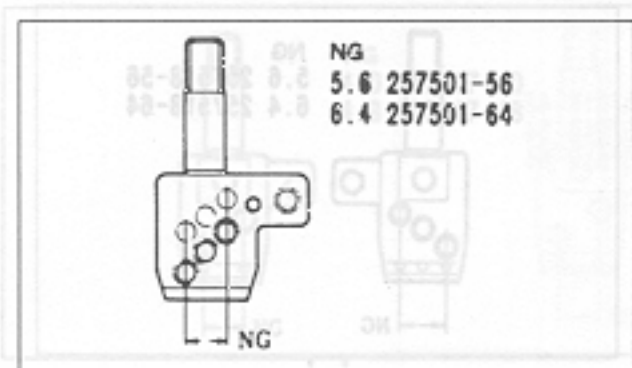
W542-562-05 & W562-21 を除く全機種
All subclasses except W542-562-05 & W562-21



REF. PART NO. 部品番号

1	2500742D
2	7021
3	250071-91
4	250039-2D
5	250035 *
6	250036
7	250037
8	201191
9	250038
10	4785
11	7020
12	210025
13	7020
14	4811
15	250035
16	7011
17	200037
18	7018
19	7888
20	7011
21	200037
22	7018
23	7888
24	7011
25	200037
26	7018
27	7888
28	7011
29	200037
30	7018
31	7888
32	7011
33	200037
34	7018
35	7888
36	7011
37	200037
38	7018
39	7888
40	7011
41	200037
42	7018
43	7888
44	7011

W561・W562-21BA, BB
W561-22AC



W561・562-21BA, BB
× 356・364

W561-22AC
× 356

機種 MACHINE	針板 NEEDLE PLATE
W561・562-21BA	A TYPE
W561・562-21BB	B TYPE
W561-22AC	C TYPE

ルーバー、スプレッター、針受は76頁を参照してください。
See page 76 for the looper, spreader and needle guards.

形式 MACHINE TYPE /SPEC.	ゲージ GAUGE	針留 NEEDLE HOLDER	針板 NEEDLE PLATE	主送り歯 MAIN FEED DOG	差動送り歯 DIFF. FEED DOG	押エ PRESSER FOOT	ルーバー LOOPER	針受(前)		針受(後)		スプレッダー SPREADER	針 NEEDLE
								NEEDLE GUARD					
								FRONT	REAR	FRONT	REAR		
W561-01CA W562-01CA	224	257517-24	257015A24	257206-16F	257258-16F	257460-24	257550-91	257553	257551B	257565	UY128GAS # 9		
	232	" 32	" 32			" 32							
	240	" 40	" 40			" 40							
	248	" 48	" 48	" 48									
	256	" 56	257017A56	257207-16F	257259-16F	" 56							
	264	" 64	" 64	" 64									
	348	257518-48	257016A48	257208-16F	257258-16F	257461-48						257550E91	
	356	" 56	257018A56	257207-16F	257259-16F	" 56						257550-91	
	364	" 64	" 64	" 64									
W561-01CB W562-01CB	224	257517-24	257015B24	257206-16F	257258-16F	257460-24	257550-91	257553	257551B	257565	UY128GAS # 9		
	232	" 32	" 32			" 32							
	240	" 40	" 40			" 40							
	248	" 48	" 48	" 48									
	256	" 56	257017B56	257207-16F	257259-16F	" 56							
	264	" 64	" 64	" 64									
	348	257518-48	257016B48	257208-16F	257258-16F	257461-48						257550E91	
	356	" 56	257018B56	257207-16F	257259-16F	" 56						257550-91	
	364	" 64	" 64	" 64									
W561-01CC W562-01CC	224	257517-24	257015C24	257206-16F	257258-16F	257460-24	257550-91	257553	257551B	257565	UY128GAS # 9		
	232	" 32	" 32			" 32							
	240	" 40	" 40			" 40							
	248	" 48	" 48	" 48									
	256	" 56	257017C56	257207-16F	257259-16F	" 56							
	264	" 64	" 64	" 64									
	348	257518-48	257016C48	257208-16F	257258-16F	257461-48						257550E91	
	356	" 56	257018C56	257207-16F	257259-16F	" 56						257550-91	
	364	" 64	" 64	" 64									
W561-01DB W562-01DB	460	257513-60	257020-60	257203A16F	257256-16F	257491-60	257550C91	257553	257551A	257565	SM X 1014B # 10		



形式	ゲージ	針留	針板	主送り歯	差動送り歯	押エ	ルーバー	針受(前)	針受(後)	スプレッダー	針	
MACHINE TYPE /SPEC.	GAUGE	NEEDLE HOLDER	NEEDLE PLATE	MAIN FEED DOG	DIFF. FEED DOG	PRESSER FOOT	LOOPER	NEEDLE GUARD		SPREADER	NEEDLE	
								FRONT	REAR			
W561-02DB W562-02DB W561-02BA W562-02BA	224	257517-24	257029A24	257214-16F	257280-16F	257317A24	257550-91	257553	257551B	257585	UY128GAS #9	
	232	" 32	" 32			" 32						
	240	" 40	257030A40	257215-16F	257281-16F	257318A40						
	248	" 48	" 48			" 48						
	258	" 58	257032A58	257216-16F	257282-16F	257319A58						
	264	" 64	" 64			" 64						
	348	257518-48	257031A48	257215-16F	257281-16F	257320A48						257550E91
	358	" 58	257033A58	257216-16F	257282-16F	257321A58						257550-91
384	" 64	" 64	" 64									
W561-02BB W562-02BB	224	257517-24	257029B24	257214-16F	257280-16F	257317A24	257550-91	257553	257551B	257585	UY128GAS #9	
	232	" 32	" 32			" 32						
	240	" 40	257030B40	257215-16F	257281-16F	257318A40						
	248	" 48	" 48			" 48						
	258	" 58	257032B58	257216-16F	257282-16F	257319A58						
	264	" 64	" 64			" 64						
	348	257518-48	257031B48	257215-16F	257281-16F	257320A48						257550E91
	358	" 58	257033B58	257216-16F	257282-16F	257321A58						257550-91
384	" 64	" 64	" 64									
W561-02BC W562-02BC	224	257517-24	257029C24	257214-16F	257280-16F	257317A24	257550-91	257553	257551B	257585	UY128GAS #9	
	232	" 32	" 32			" 32						
	240	" 40	257030C40	257215-16F	257281-16F	257318A40						
	248	" 48	" 48			" 48						
	258	" 58	257032C58	257216-16F	257282-16F	257319A58						
	264	" 64	" 64			" 64						
	348	257518-48	257031C48	257215-16F	257281-16F	257320A48						257550E91
	358	" 58	257033C58	257216-16F	257282-16F	257321A58						257550-91
384	" 64	" 64	" 64									

形式	ゲージ	針留	針板	主送り歯	差動送り歯	押工	ルーバー	針受(前)	針受(後)	スプレッター	針
MACHINE TYPE /SPEC.	GAUGE	NEEDLE HOLDER	NEEDLE PLATE	MAIN FEED DOG	DIFF. FEED DOG	PRESSER FOOT	LOOPER	NEEDLE GUARD		SPREADER	NEEDLE
								FRONT	REAR		
W561-02CA W562-02CA	232	257517-32	257139A32	259123-16F	257260-16F	257448-32	257550-91	257553	257551B	257565	UY128GAS #9
	240	" 40	257140A40	259124-16F	257261-16F	257449-40		257553	257551B	257565	UY128GAS #9
W561-02CB W562-02CB	232	257517-32	257139B32	259123-16F	257260-16F	257448-32	257550-91	257553	257551B	257565	UY128GAS #9
	240	" 40	257140B40	259124-16F	257261-16F	257449-40		257553	257551B	257565	UY128GAS #9
W561-02CC W562-02CC	232	257517-32	257139C32	259123-16F	257260-16F	257448-32	257550-91	257553	257551B	257565	UY128GAS #9
	240	" 40	257140C40	259124-16F	257261-16F	257449-40		257553	257551B	257565	UY128GAS #9
M203-03BB M201-03BB	230	257517-24	257010B24	251510-10E	251505-10E	257460-24	257550-91	257553	257551B	257565	SM X 014B #10
	232	" 28	257010B28	"	"	"					
	235	" 32	257010B32	"	"	"					
	240	" 40	257010B40	251512-10E	251501-10E	257460-40					
	245	" 45	257010B45	"	"	"					
	250	" 50	257010B50	"	"	"					
W561-01CB W562-01CB	230	257517-24	257010B24	251510-10E	251500-10E	257460-24	257550-91	257553	257551B	257565	SM X 014B #10
	232	" 28	257010B28	"	"	"					
	235	" 32	257010B32	"	"	"					
	240	" 40	257010B40	251512-10E	251501-10E	257460-40					
	245	" 45	257010B45	"	"	"					
	250	" 50	257010B50	"	"	"					
M203-03BV M201-03BV	230	257517-24	257010C24	251510-10E	251505-10E	257460-24	257550-91	257553	257551B	257565	SM X 014B #10
	232	" 28	257010C28	"	"	"					
	235	" 32	257010C32	"	"	"					
	240	" 40	257010C40	251512-10E	251501-10E	257460-40					
	245	" 45	257010C45	"	"	"					
	250	" 50	257010C50	"	"	"					
W561-01CC W562-01CC	230	257517-24	257010C24	251514-10E	251500-10E	257460-24	257550-91	257553	257551B	257565	SM X 014B #10
	232	" 28	257010C28	"	"	"					
	235	" 32	257010C32	"	"	"					
	240	" 40	257010C40	251512-10E	251501-10E	257460-40					
	245	" 45	257010C45	"	"	"					
	250	" 50	257010C50	"	"	"					
形式	ゲージ	針留	針板	主送り歯	差動送り歯	押工	ルーバー	針受(前)	針受(後)	スプレッター	針
MACHINE TYPE /SPEC.	GAUGE	NEEDLE HOLDER	NEEDLE PLATE	MAIN FEED DOG	DIFF. FEED DOG	PRESSER FOOT	LOOPER	FRONT	REAR	SPREADER	NEEDLE
W561-02CA W562-02CA	232 240	257517-32 " 40	257139A32 257140A40	259123-16F 259124-16F	257260-16F 257261-16F	257448-32 257449-40	257550-91	257553	257551B	257565	UY128GAS #9
W561-02CB W562-02CB	232 240	257517-32 " 40	257139B32 257140B40	259123-16F 259124-16F	257260-16F 257261-16F	257448-32 257449-40	257550-91	257553	257551B	257565	UY128GAS #9
W561-02CC W562-02CC	232 240	257517-32 " 40	257139C32 257140C40	259123-16F 259124-16F	257260-16F 257261-16F	257448-32 257449-40	257550-91	257553	257551B	257565	UY128GAS #9
M203-03BB M201-03BB	230 232 235 240 245 250	257517-24 " 28 " 32 " 40 " 45 " 50	257010B24 257010B28 257010B32 257010B40 257010B45 257010B50	251510-10E 251512-10E	251505-10E 251501-10E	257460-24 257460-40	257550-91	257553	257551B	257565	SM X 014B #10
W561-01CB W562-01CB	230 232 235 240 245 250	257517-24 " 28 " 32 " 40 " 45 " 50	257010B24 257010B28 257010B32 257010B40 257010B45 257010B50	251514-10E 251512-10E	251500-10E 251501-10E	257460-24 257460-40	257550-91	257553	257551B	257565	SM X 014B #10
M203-03BV M201-03BV	230 232 235 240 245 250	257517-24 " 28 " 32 " 40 " 45 " 50	257010C24 257010C28 257010C32 257010C40 257010C45 257010C50	251510-10E 251512-10E	251505-10E 251501-10E	257460-24 257460-40	257550-91	257553	257551B	257565	SM X 014B #10
W561-01CC W562-01CC	230 232 235 240 245 250	257517-24 " 28 " 32 " 40 " 45 " 50	257010C24 257010C28 257010C32 257010C40 257010C45 257010C50	251514-10E 251512-10E	251500-10E 251501-10E	257460-24 257460-40	257550-91	257553	257551B	257565	SM X 014B #10
形式	ゲージ	針留	針板	主送り歯	差動送り歯	押工	ルーバー	針受(前)	針受(後)	スプレッター	針
MACHINE TYPE /SPEC.	GAUGE	NEEDLE HOLDER	NEEDLE PLATE	MAIN FEED DOG	DIFF. FEED DOG	PRESSER FOOT	LOOPER	FRONT	REAR	SPREADER	NEEDLE
W561-02CA W562-02CA	232 240	257517-32 " 40	257139A32 257140A40	259123-16F 259124-16F	257260-16F 257261-16F	257448-32 257449-40	257550-91	257553	257551B	257565	UY128GAS #9
W561-02CB W562-02CB	232 240	257517-32 " 40	257139B32 257140B40	259123-16F 259124-16F	257260-16F 257261-16F	257448-32 257449-40	257550-91	257553	257551B	257565	UY128GAS #9
W561-02CC W562-02CC	232 240	257517-32 " 40	257139C32 257140C40	259123-16F 259124-16F	257260-16F 257261-16F	257448-32 257449-40	257550-91	257553	257551B	257565	UY128GAS #9
M203-03BB M201-03BB	230 232 235 240 245 250	257517-24 " 28 " 32 " 40 " 45 " 50	257010B24 257010B28 257010B32 257010B40 257010B45 257010B50	251510-10E 251512-10E	251505-10E 251501-10E	257460-24 257460-40	257550-91	257553	257551B	257565	SM X 014B #10
W561-01CB W562-01CB	230 232 235 240 245 250	257517-24 " 28 " 32 " 40 " 45 " 50	257010B24 257010B28 257010B32 257010B40 257010B45 257010B50	251514-10E 251512-10E	251500-10E 251501-10E	257460-24 257460-40	257550-91	257553	257551B	257565	SM X 014B #10
M203-03BV M201-03BV	230 232 235 240 245 250	257517-24 " 28 " 32 " 40 " 45 " 50	257010C24 257010C28 257010C32 257010C40 257010C45 257010C50	251510-10E 251512-10E	251505-10E 251501-10E	257460-24 257460-40	257550-91	257553	257551B	257565	SM X 014B #10
W561-01CC W562-01CC	230 232 235 240 245 250	257517-24 " 28 " 32 " 40 " 45 " 50	257010C24 257010C28 257010C32 257010C40 257010C45 257010C50	251514-10E 251512-10E	251500-10E 251501-10E	257460-24 257460-40	257550-91	257553	257551B	257565	SM X 014B #10



形式	ゲージ	針留	針板	主送り歯	差動送り歯	押エ	ルーバー	針受(前)	針受(後)	スプレッダー	針	
MACHINE TYPE /SPEC.	GAUGE	NEEDLE HOLDER	NEEDLE PLATE	MAIN FEED DOG	DIFF. FEED DOG	PRESSER FOOT	LOOPER	NEEDLE GUARD		SPREADER	NEEDLE	
								FRONT	REAR			
W561-03DB W562-03DB	240	257517-40	257087B40	257208-16F	259200-16F	257467-40	257550-91	257553	257551B	257565	UY128GAS #9	
	248	" 48	" 48			" 48						
	256	" 56	257089B56	257207-16F	257253-16F	" 56						
	264	" 64	" 64			" 64						
	348	257518-48	257088B48	257208-16F	259200-16F	257468-48						257550E91
	358	" 58	257090B58	257207-16F	257253-16F	" 58						257550-91
	364	" 64	" 64			" 64						
W561-03DC W562-03DC	240	257517-40	257087C40	257208-16F	259200-16F	257467-40	257550-91	257553	257551B	257565	UY128GAS #9	
	248	" 48	" 48			" 48						
	256	" 56	257089C56	257207-16F	257253-16F	" 56						
	264	" 64	" 64			" 64						
	348	257518-48	257088C48	257208-16F	259200-16F	257468-48						257550E91
	358	" 58	257090C58	257207-16F	257253-16F	" 58						257550-91
	364	" 64	" 64			" 64						
W561-03EB W562-03EB	240	257517-40	257091B40	257208-16F	259201-16F	257467-40	257550-91	257553	257551B	257565	UY128GAS #9	
	248	" 48	" 48			" 48						
	256	" 56	257093B56	257207-16F	257254-16F	" 56						
	264	" 64	" 64			" 64						
	348	257518-48	257092B48	257208-16F	259201-16F	257468-48						257550E91
	358	" 58	257094B58	257207-16F	257254-16F	" 58						257550-91
	364	" 64	" 64			" 64						
W561-03EC W562-03EC	240	257517-40	257091C40	257208-16F	259201-16F	257467-40	257550-91	257553	257551B	257565	UY128GAS #9	
	248	" 48	" 48			" 48						
	256	" 56	257093C56	257207-16F	257254-16F	" 56						
	264	" 64	" 64			" 64						
	348	257518-48	257092C48	257208-16F	259201-16F	257468-48						257550E91
	358	" 58	257094C58	257207-16F	257254-16F	" 58						257550-91
	364	" 64	" 64			" 64						

形式	ゲージ	針留	針板	主送り歯	差動送り歯	押エ	ルーバー	針受(前)	針受(後)	スプレッター	針
MACHINE TYPE /SPEC.	GAUGE	NEEDLE HOLDER	NEEDLE PLATE	MAIN FEED DOG	DIFF. FEED DOG	PRESSER FOOT	LOOPER	NEEDLE GUARD		SPREADER	NEEDLE
								FRONT	REAR		
W561-020A W562-020A	224	257517-24	257049A24	257220-16F	257268-16F	257327A24	257550-91	257553	257551B	257585	UY128GAS #9
	232	" 32	" 32	"	"	" 32					
W561-020B W562-020B	240	" 40	257050A40	257221-16F	257267-16F	257328A40	257550-91	257553	257551B	257585	UY128GAS #9
	248	" 48	" 48	"	"	" 48					
W561-05BA W562-05BA	256	" 56	257052A56	257222-16F	257268-16F	257329A56	257550-91	257553	257551B	257585	UY128GAS #9
	264	" 64	" 64	"	"	" 64					
M263-03EB M264-03EB	348	257518-48	257051A48	257221-16F	257267-16F	257330A48	257550E91	257553	257551B	257585	UY128GAS #10
	356	" 56	257053A56	257222-16F	257268-16F	" 64					
	364	" 64	" 64	"	"	" 64					
M265-03DC W561-05BB W562-05BB	224	257517-24	257049B24	257220-16F	257268-16F	257327A24	257550-91	257553	257551B	257585	UY128GAS #9
	232	" 32	" 32	"	"	" 32					
	240	" 40	257050B40	257221-16F	257267-16F	257328A40	257550-91	257553	257551B	257585	UY128GAS #9
	248	" 48	" 48	"	"	" 48					
	256	" 56	257052B56	257222-16F	257268-16F	257329A56	257550-91	257553	257551B	257585	UY128GAS #9
	264	" 64	" 64	"	"	" 64					
	348	257518-48	257051B48	257221-10F	257267-16F	257330A48	257550E91	257553	257551B	257585	UY128GAS #10
	356	" 56	257053B56	257222-16F	257268-16F	257331A58					
364	" 64	" 64	"	"	" 64						
M265-03DB M266-03DB M267-03DB	348	" 48	" 48	257501-10E	257523-10E	" 48	257550-91	257553	257551B	257585	UY128GAS #9
	364	" 64	" 64	257501-10E	257523-10E	" 64					
	320	" 20	257058B20	257501-10E	257523-10E	" 20	257550-91	257553	257551B	257585	UY128GAS #9
	348	" 48	" 48	257500-10E	257500-10E	" 48					
	340	257513-40	257051B40	257500-10E	257500-10E	257403-40					
形式	ゲージ	針留	針板	主送り歯	差動送り歯	押エ	ルーバー	NEEDLE GUARD		スプレッター	針
								FRONT	REAR	SPREADER	NEEDLE
								針受(前)	針受(後)		

形式 MACHINE TYPE /SPEC.	ゲージ GAUGE	針留 NEEDLE HOLDER	針板 NEEDLE PLATE	主送り歯 MAIN FEED DOG	差動送り歯 DIFF. FEED DOG	押エ PRESSER FOOT	ルーバー LOOPER	針受(前) 針受(後) NEEDLE GUARD		スプレッター SPREADER	針 NEEDLE	
								FRONT	REAR			
W561-21DA M203-01V0 M201-01V0 W561-21DB W562-21DB	224	257517-24	257049A24	257220A16F	257288-16F	257327A24	257550-91	257553	257551B	257585	UY128GAS # 9	
	232	" 32	" 32			" 32						
	240	" 40	257050A40	257221A16F	257287-16F	257328A40	257550-91	257553	257551B	257585	UY128GAS # 9	
	248	" 48	" 48			" 48						
	W561-05CA W562-05CA M203-01V0 M201-01V0	258	" 58	257052A58	257222A16F	257288-16F	257329A58	257550-91	257553	257551B	257585	UY128GAS # 10
		264	" 64	" 64			" 64					
		348	257518-48	257051A48	257221A16F	257287-16F	257330A48	257550E91			257585	UY128GAS # 10
		350	" 58	257053A58	257222A16F	257288-16F	257331A56					
364		" 64	" 64			" 64	257550-91					
M203-01B0 M201-01B0 M203-01B0 M201-01B0 W561-05CB W562-05CB		224	257517-24	257049B24	257220A16F	257288-16F	257327A24	257550-91	257553	257551B	257585	UY128GAS # 9
		232	" 32	" 32			" 32					
		240	" 40	257050B40	257221A16F	257287-16F	257328A40	257550-91	257553	257551B	257585	UY128GAS # 9
	248	" 48	" 48			" 48						
	258	" 58	257052B58	257222A16F	257288-16F	257329A58	257550-91	257553	257551B	257585	UY128GAS # 10	
	264	" 64	" 64			" 64						
	348	257518-48	257051B48	257221A16F	257287-16F	257330A48	257550E91			257585	UY128GAS # 10	
	358	" 58	257053B58	257222A16F	257288-16F	257331A56						
364	" 64	" 64			" 64	257550-91						
M203-01BV M201-01BV M203-01BV M201-01BV	304	" 04	" 04			" 04	257550-91	257553	257551B	257585	UY128GAS # 8	
	320	" 20	257041V20			" 20						
	348	" 48	" 48			" 48	257550-91			257585	UY128GAS # 8	
	340	" 40	257042V40			" 40						
	335	257211-35	257044V35	257514-10E	257505-10E	257321V35						
仕様 SPEC	ゲージ GAUGE	針留 NEEDLE HOLDER	針板 NEEDLE PLATE	主送り歯 MAIN FEED DOG	差動送り歯 DIFF. FEED DOG	押エ PRESSER FOOT	ルーバー LOOPER	針受(前) FRONT	針受(後) REAR	スプレッター SPREADER	針 NEEDLE	

形式	ゲージ	針留	針板	主送り歯	差動送り歯	押エ	ルーバー	針受(前)	針受(後)	スプレッター	針	
MACHINE TYPE /SPEC.	GAUGE	NEEDLE HOLDER	NEEDLE PLATE	MAIN FEED DOG	DIFF. FEED DOG	PRESSER FOOT	LOOPER	NEEDLE GUARD		SPREADER	NEEDLE	
								FRONT	REAR			
W561-06BA W562-06BA W561-07BA W562-07BA	232	257517-32	257044A32	257214-10F	257280-10F	257337A32	257550-91	257553	257551B	257585	UY128GAS #9	
	240	" 40	257045A40	257215-10F	257281-10F	257338A40						
	248	" 48	" 48			" 48						
	258	" 58	257047A58	257218-10F	257282-10F	257339A58						
	284	" 64	" 64			" 64						
	348	257518-48	257084A48	257215-10F	257281-10F	257340A48						257550E91
	358	" 58	257048A58	257218-10F	257282-10F	257341A58						257550-91
W561-06BB W562-06BB W561-07BB W562-07BB	232	257517-32	257044B32	257214-10F	257280-10F	257337A32	257550-91	257553	257551B	257585	UY128GAS #9	
	240	" 40	257045B40	257215-10F	257281-10F	257338A40						
	248	" 48	" 48			" 48						
	258	" 58	257047B58	257218-10F	257282-10F	257339A58						
	284	" 64	" 64			" 64						
	348	257518-48	257084B48	257215-10F	257281-10F	257340A48						257550E91
	358	" 58	257048B58	257218-10F	257282-10F	257341A58						257550-91
W561-08AB W562-08AB	240	257517-40	257084B40	257208-10F	259209-10F	257480-40	257550-91	257553	257551B	257585	UY128GAS #9	
	248	" 48	" 48			" 48						
	358	257518-58	257095B58	257207-10F	259210-10F	257481-58						
	384	" 64	" 64			" 64						
W561-08AC W562-08AC	240	257517-40	257084C40	257209-10F	259209-10F	257480-40	257550-91	257553	257551B	257585	UY128GAS #9	
	248	" 48	" 48			" 48						
	358	257518-58	257095C58	257207-10F	259210-10F	257481-58						
	384	" 64	" 64			" 64						



形式	ゲージ	針留	針板	主送り歯	差動送り歯	押エ	ルーバー	針受(前)	針受(後)	スプレッター	針
MACHINE TYPE /SPEC.	GAUGE	NEEDLE HOLDER	NEEDLE PLATE	MAIN FEED DOG	DIFF. FEED DOG	PRESSER FOOT	LOOPER	NEEDLE GUARD		SPREADER	NEEDLE
								FRONT	REAR		
W561-21BA W562-21BA	356	257501-58	257022A58	257207-16F	257259-16F	257486-58	257550A91	257553	257551B	257585	UY128GAS #12
	364	" 64	" 64			" 64					
W561-21BB W562-21BB	356	257501-58	257022B58	257207-16F	257259-16F	257486-58	257550A91	257553	257551B	257585	UY128GAS #12
	364	" 64	" 64			" 64					
W561-22AC	356	257501A58	257019C58	257207-16F	257259-16F	257486-58	257550B91	257553	257551B	257585	DP X 17 #18

下軸機構

CRANKSHAFT DRIVE MECHANISM

REF. NO.	PART NO. 部品番号	名称	NAME	QT.
1	250531B91	クランク軸 (組)	CRANKSHAFT ASSEMBLY	1
* 2	250532B91	クランク軸 (組)	CRANKSHAFT ASSEMBLY	1
* 3	250500B	クランク軸	CRANKSHAFT	1
* 4	250501B91	クランク軸	CRANKSHAFT	1
5	252009-92	ロッド (組)	CONNECTION ASSEMBLY	1
* 6	252009	ロッド	CONNECTION	1
7	7015	平ネジ / M 3 . 5 × 1 4	SCREW	2
8	7015	平ネジ / M 3 . 5 × 1 4	SCREW	2
* 9	252008-92	クランク (組)	CRANK ASSEMBLY	1
10	252008	クランク本体	CRANK BODY	1
* 11	254534	平ネジ / M 6 × 1 4	SCREW	1
12	4545	止ネジ / M 3 × 4	SCREW	1
13	206748	フェルト	FELT	1
14	250525	調節棒	ADJUSTING BAR	1
* 15	201074A	振れ止メ	GUIDE	1
16	4019	平ネジ / M 4 . 5 × 1 0	SCREW	1
17	202286	バネ座金	SPRING WASHER	1
18	250504-91	軸受 (ブッシュ)	BUSHING	1
19	2504514	止ネジ / M 5 × 5	SCREW	2
20	250534	バランスウエイト	BALANCE WEIGHT	1
21	7011	平ネジ / M 3 × 8	SCREW	2
22	206837	オリング	O RING	1
23	250506	継手	JOINT	1
24	4547	止ネジ / M 6 × 5	SCREW	3
25	4555	止ネジ / M 6 × 8	SCREW (SPER)	1
26	250508-91	軸受 (ブッシュ)	BUSHING	1
27	2504547	止ネジ / M 6 × 5	SCREW	2
28	206837	オリング	O RING	1
29	250543A91	軸受 (ブッシュ)	BUSHING	1
30	2504547	止ネジ / M 6 × 5	SCREW	2
331	250511-91	ギヤ (下)	GEAR (LOWER)	1
332	2504547	止ネジ / M 6 × 5	SCREW	4
333	206050C	タイミングベルト	TIMING BELT	1
334	250530-91	軸受 (ブッシュ)	BUSHING	1
335	4555	止ネジ / M 6 × 8	SCREW	1
336	2044547	止ネジ / M 6 × 5	SCREW	1
37	250514	止メ板	SET PLATE	1
38	7082	平ネジ / M 4 × 8	SCREW	2
39	250507	軸	SHAFT	1
40	250515A	プーリー	MACHINE PULLEY	1
41	4556	止ネジ / M 6 × 1 0	SCREW	1
42	4541	止ネジ / M 6 × 8	SCREW	1
43	240126	座金	WASHER	1
44	4500	平ネジ / M 5 × 1 0	SCREW	1

形式 MACHINE TYPE /SPEC.	ゲージ GAUGE	針留 NEEDLE HOLDER	針板 NEEDLE PLATE	主送り歯 MAIN FEED DOG	差動送り歯 DIFF. FEED DCG	押エ PRESSER FOOT	ルーバー LOOPER	針受(前)		針受(後)		スプレッター SPREADER	針 NEEDLE
								NEEDLE GUARD		NEEDLE GUARD			
								FRONT	REAR	FRONT	REAR		
W541-01CA W542-01CA	224	257517-24	257015A24	257215-16F	257200-16F	257462-24	257550-91 257550-91 257550E91	257553	257553	257551B	257565	UY128GAS # 9	
	232	" 32	" 32	257208-16F	257258-16F	" 32							
	240	" 40	" 40			" 40							
	248	" 48	" 48	257216-16F	257202-16F	" 48							
	258	" 58	257017A58			257207-16F							257259-16F
	264	" 64	" 64	257206-16F	257258-16F	257463-48							
	348	257518-48	257016A48			" 56							
	356	" 56	257018A56	257207-16F	257259-16F	" 64							
364	" 64	" 64	" 64										
W541-01CB W542-01CB	224	257517-24	257015B24	257215-16F	257201-16F	257462-24	257550-91 257550-91 257550E91	257553	257553	257551B	257565	UY128GAS # 9	
	232	" 32	" 32	257208-16F	257258-16F	" 32							
	240	" 40	" 40			" 40							
	248	" 48	" 48	257216-16F	257202-16F	" 48							
	256	" 56	257017B56			257207-16F							257259-16F
	264	" 64	" 64	257206-16F	257258-16F	257463-48							
	348	257518-48	257016B48			" 56							
	356	" 56	257018B56	257207-16F	257259-16F	" 64							
364	" 64	" 64	" 64										
W541-01CC W542-01CC	224	257517-24	257015C24	257215-16F	257207-16F	257462-24	257550-91 257550-91 257550E91	257553	257553	257551B	257565	UY128GAS # 9	
	232	" 32	" 32	257208-16F	257258-16F	" 32							
	240	" 40	" 40			" 40							
	248	" 48	" 48	257216-16F	257202-16F	" 48							
	256	" 56	257017C56			257207-16F							257259-16F
	264	" 64	" 64	257206-16F	257258-16F	257463-48							
	348	257518-48	257016C48			" 56							
	356	" 56	257018C56	257207-16F	257259-16F	" 64							
364	" 64	" 64	" 64										

形式	ゲージ	針留	針板	主送り歯	差動送り歯	押エ	ルーバー	針受(前)	針受(後)	スプレッター	針					
MACHINE TYPE /SPEC.	GAUGE	NEEDLE HOLDER	NEEDLE PLATE	MAIN FEED DOG	DIFF. FEED DOG	PRESSER FOOT	LOOPER	NEEDLE GUARD		SPREADER	NEEDLE					
								FRONT	REAR							
W541-02BA W542-02BA	224	257517-24	257029A24	257214-16F	257260-16F	257322A24	257550-91	257553	257551B	-	UY128GAS #9					
	232	" 32	" 32			" 32										
	240	" 40	257030A40	257215-16F	257261-16F	257323A40										
	248	" 48	" 48			" 48										
	256	" 56	257032A56	257216-16F	257262-16F	257324A56										
	264	" 64	" 64			" 64										
	348	257518-48	257031A48	257215-16F	257261-16F	257325A48						257550E91	257553	257551B	-	UY128GAS #10
	356	" 56	257033A56			257326A56										
364	" 64	" 64	257216-16F	257262-16F	" 64	257550-91										
W541-02BB W542-02BB	224	257517-24	257029B24	257214-16F	257260-16F	257322A24	257550-91	257553	257551B	-	UY128GAS #9					
	232	" 32	" 32			" 32										
	240	" 40	257030B40	257215-16F	257261-16F	257323A40										
	248	" 48	" 48			" 48										
	256	" 56	257032B56	257216-16F	257262-16F	257324A56										
	264	" 64	" 64			" 64										
	348	257518-48	257031B48	257215-16F	257261-16F	257325A48						257550E91	257553	257551B	-	UY128GAS #10
	356	" 56	257033B56			257326A56										
364	" 64	" 64	257216-16F	257262-16F	" 64	257550-91										
W541-02BC W542-02BC	224	257517-24	257029C24	257214-16F	257260-16F	257322A24	257550-91	257553	257551B	-	UY128GAS #9					
	232	" 32	" 32			" 32										
	240	" 40	257030C40	257215-16F	257261-16F	257323A40										
	248	" 48	" 48			" 48										
	256	" 56	257032C56	257216-16F	257262-16F	257324A56										
	264	" 64	" 64			" 64										
	348	257518-48	257031C48	257215-16F	257261-16F	257325A48						257550E91	257553	257551B	-	UY128GAS #10
	356	" 56	257033C56			257326A56										
364	" 64	" 64	257216-16F	257262-16F	" 64	257550-91										

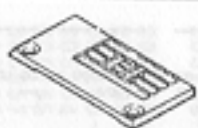
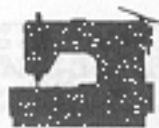
形式	ゲージ	針留	針板	主送り歯	差動送り歯	押エ	ルーバー	針受(前)	針受(後)	スプレッター	針
MACHINE TYPE /SPEC.	GAUGE	NEEDLE HOLDER	NEEDLE PLATE	MAIN FEED DOG	DIFF. FEED DOG	PRESSER FOOT	LOOPER	NEEDLE GUARD		SPREADER	NEEDLE
								FRONT	REAR		
W541-03DB W542-03DB W541-01CA W542-01CA	240	257517-40	257087B40	257206-16F	259200-16F	257469-40	257550-91	257553	257551B	-	UY128GAS #9
	248	" 48	" 48			" 48					
	256	" 56	257089B56	257207-16F	257253-15F	" 56		" 64			
	264	" 64	" 64			" 64					
	348	257518-48	257088B48	257206-16F	259200-16F	257470-48	257550E91	257553	257551B		UY128GAS #10
	356	" 56	257090B56	257207-16F	257253-16F	" 56	257550-91				
	364	" 64	" 64			" 64					
W541-03DC W542-03DC	240	257517-40	257087C40	257206-16F	259200-16F	257469-40	257550-91	257553	257551B	-	UY128GAS #9
	248	" 48	" 48			" 48					
	256	" 56	257089C56	257207-16F	257253-16F	" 56		" 64			
	264	" 64	" 64			" 64					
	348	257518-48	257088C48	257206-16F	259200-16F	257470-48	257550E91				UY128GAS #10
	356	" 56	257090C56	257207-16F	257253-16F	" 56	257550-91				
	364	" 64	" 64			" 64					
W541-03EB W542-03EB	240	257517-40	257091B40	257206-16F	259201-16F	257469-40	257550-91	257553	257551B	-	UY128GAS #9
	248	" 48	" 48			" 48					
	256	" 56	257093B56	257207-16F	257254-16F	" 56		" 64			
	264	" 64	" 64			" 64					
	348	257518-48	257092B48	257206-16F	259201-16F	257470-48	257550E91				UY128GAS #10
	356	" 56	257094B56	257207-16F	257254-16F	" 56	257550-91				
	364	" 64	" 64			" 64					
W541-03EC W542-03EC	240	257517-40	257091C40	257206-16F	259201-16F	257469-40	257550-91	257553	257551B	-	UY128GAS #9
	248	" 48	" 48			" 48					
	256	" 56	257093C56	257207-16F	257254-16F	" 56		" 64			
	264	" 64	" 64			" 64					
	348	257518-48	257092C48	257206-16F	259201-16F	257470-48	257550E91				UY128GAS #10
	356	" 56	257094C56	257207-16F	257254-16F	" 56	257550-91				
	364	" 64	" 64			" 64					



形式 MACHINE TYPE /SPEC.	ゲージ GAUGE	針留 NEEDLE HOLDER	針板 NEEDLE PLATE	主送り歯 MAIN FEED DOG	差動送り歯 DIFF. FEED DOG	押エ PRESSER FOOT	ルーバー LOOPER	針受(前) 針受(後) NEEDLE GUARD		スプレッダー SPREADER	針 NEEDLE	
								FRONT	REAR			
W541-05BA W542-05BA	224	257517-24	257049A24	257220-16F	257268-16F	257332A24	257550-91	257553	257551B	-	UY128GAS #9	
	232	" 32	" 32			" 32						
	240	" 40	257050A40	257221-16F	257267-16F	" 48						
	248	" 48	" 48			" 48						
	258	" 58	257052A58	257222-16F	257288-16F	257334A58						
	294	" 64	" 64			" 64						
	348	257518-48	257051A48	257221-16F	257267-16F	257335A48						257550E91
	358	" 58	257053A58	257222-16F	257288-16F	257336A58						257550-91
384	" 64	" 64			" 64							
M213-02CB M211-02CB W541-05BB W542-05BB W541-07BB W542-07BB W541-05BB W542-05BB	224	257517-24	257049B24	257220-16F	257268-16F	257332A24	257550-91	257553	257551B	-	UY128GAS #9	
	232	" 32	" 32			" 32						
	240	" 40	257050B40	257221-16F	257267-16F	" 48						
	248	" 48	" 48			" 48						
	258	" 58	257052B58	257222-16F	257288-16F	257334A58						
	284	" 64	" 64			" 64						
	348	257518-48	257051B48	257221-16F	257267-16F	257335A48						257550E91
	358	" 58	257053B58	257222-16F	257288-16F	257336A58						257550-91
384	" 64	" 64			" 64							
W541-05AC W542-05AC	224	257517-24	257049C24	257220-16F	257268-16F	257332A24	257550-91	257553	257551B	-	UY128GAS #9	
	232	" 32	" 32			" 32						
	240	" 40	257050C40	257221-16F	257267-16F	" 48						
	248	" 48	" 48			" 48						
	258	" 58	257052C58	257222-16F	257288-16F	257334A58						
	284	" 64	" 64			" 64						
	348	257518-48	257051C48	257221-16F	257267-16F	257335A48						257550E91
	358	" 58	257053C58	257222-16F	257288-16F	257336A58						257550-91
384	" 64	" 64			" 64							
形式 MACHINE TYPE /SPEC.	ゲージ GAUGE	針留 NEEDLE HOLDER	針板 NEEDLE PLATE	主送り歯 MAIN FEED DOG	差動送り歯 DIFF. FEED DOG	押エ PRESSER FOOT	ルーバー LOOPER	針受(前) 針受(後) NEEDLE GUARD		スプレッダー SPREADER	針 NEEDLE	
W541-05BA W542-05BA	224 232 240 248 258	257517-24 " 32 " 40 " 48 " 58	257049A24 " 32 257050A40 " 48 257052A58	257220-16F " 32 257221-16F " 48 257222-16F	257268-16F " 32 257267-16F " 48 257288-16F	257332A24 " 32 257333A40 " 48 257334A58	257550-91	257553	257551B	-	UY128GAS #9	
M213-02CB M211-02CB W541-05BB W542-05BB W541-07BB W542-07BB W541-05BB W542-05BB	224 232 240 248 258 284 348 358 384	257517-24 " 32 " 40 " 48 " 58 " 64 257518-48 " 58 " 64	257049B24 " 32 257050B40 " 48 257052B58 " 64 257051B48 257053B58 " 64	257220-16F " 32 257221-16F " 48 257222-16F " 64 257221-16F 257222-16F " 64	257268-16F " 32 257267-16F " 48 257288-16F " 64 257267-16F 257288-16F " 64	257332A24 " 32 257333A40 " 48 257334A58 " 64 257335A48 257336A58 " 64	257550-91 " 32 257550-91 " 48 257550E91 " 64 257550E91 257550-91 " 64	257553	257551B	-	UY128GAS #9 UY128GAS #10 UY128GAS #10	
W541-05AC W542-05AC	224 232 240 248 258	257517-24 " 32 " 40 " 48 " 58	257049C24 " 32 257050C40 " 48 257052C58	257220-16F " 32 257221-16F " 48 257222-16F	257268-16F " 32 257267-16F " 48 257288-16F	257332A24 " 32 257333A40 " 48 257334A58	257550-91	257553	257551B	-	UY128GAS #9	



形式	ゲージ	針留	針板	主送り歯	差動送り歯	押エ	ルーバー	針受(前)	針受(後)	スプレッター	針					
MACHINE TYPE /SPEC.	GAUGE	NEEDLE HOLDER	NEEDLE PLATE	MAIN FEED DOG	DIFF. FEED DOG	PRESSER FOOT	LOOPER	NEEDLE GUARD		SPREADER	NEEDLE					
								FRONT	REAR							
W541-030B W542-030B W541-05CA W542-05CA	224	257517-24	257049A24	257220A18F	257286-16F	257322A24	257550-91	257553	257551B	-	UY128GAS #9					
	232	" 32	" 32			" 32										
	240	" 40	257050A40			257323A40										
	248	" 48	" 48	257221A16F	257287-16F	" 48						257550-91				
	256	" 56	257052A56	257220B-16F	257280-16F	257324A56						257550E91	257553	257551B	-	UY128GAS #10
	264	" 64	" 64	257222A16F	257288-16F	" 64						257550-91				
	348	257518-48	257051A48	257221A16F	257287-16F	257335A48						257550E91				
	356	" 56	257053A56	257222A16F	257288-16F	257336A56						257550-91				
	364	" 64	" 64			" 64										
W541-05CB W542-05CB	224	257517-24	257049B24	257220A16F	257286-16F	257322A24	257550-91	257553	257551B	-	UY128GAS #9					
	232	" 32	" 32			" 32										
	240	" 40	257050B40			257323A40										
	248	" 48	" 48	257221A16F	257287-16F	" 48						257550-91				
	256	" 56	257052B56	257222A16F	257288-16F	257324A56						257550-91	257553	257551B	-	
	264	" 64	" 64	" 64		" 64										
	348	257518-48	257051B48	257221A16F	257287-16F	257335A48						257550E91				
	356	" 56	257053B56	257222A16F	257288-16F	257336A56						257550-91				
	364	" 64	" 64			" 64										



形式 MACHINE TYPE /SPEC.	ゲージ GAUGE	針留 NEEDLE HOLDER	針板 NEEDLE PLATE	主送り歯 MAIN FEED DOG	差動送り歯 DIFF. FEED DOG	押エ PRESSER FOOT	ルーバー LOOPER	針受(前) 針受(後)		スプレッター SPREADER	針 NEEDLE	
								FRONT	REAR			
W541-03BA W542-06BA W541-07BA W542-07BA	232	257517-32	257044A32	257214-16F	257260-16F	257342A32	257550-91	257553	257551B	-	UY128GAS # 9	
	240	" 40	257045A40	257215-16F	257261-16F	257343A40						
	248	" 48	" 48			" 48						
	256	" 56	257047A56	257216-16F	257262-16F	257344A56						
	264	" 64	" 64			" 64						
	348	257518-46	257064A48	257215-16F	257261-16F	257345A48						257550E91
	356	" 56	257048A56	257216-16F	257262-16F	257346A56						257550-91
	364	" 64	" 64			" 64						
W541-06BB W542-06BB W541-07BB W542-07BB	232	257517-32	257044B32	257214-16F	257260-16F	257342A32	257550-91	257553	257551B	-	UY128GAS # 9	
	240	" 40	257045B40	257215-16F	257261-16F	257343A40						
	248	" 48	" 48			" 48						
	256	" 56	257047B56	257216-16F	257262-16F	257344A56						
	264	" 64	" 64			" 64						
	348	257518-48	257064B48	257215-16F	257261-16F	257345A48						257550E91
	356	" 56	257048B56	257216-16F	257262-16F	257346A56						257550-91
	364	" 64	" 64			" 64						
W541-08AB W542-08AB	240	257517-40	257084B40	257206-16F	259209-16F	257462-40	257550-91	257553	257551B	-	UY128GAS # 9	
	248	" 48	" 48			" 48						
	356	257518-56	257095B56	257207-16F	259210-16F	257463-56						
	364	" 64	" 64			" 64						
W541-08AC W542-08AC	240	257517-40	257084C40	257206-16F	259209-16F	257462-40	257550-91	257553	257551B	-	UY128GAS # 9	
	248	" 48	" 48			" 48						
	356	257518-56	257095C56	257207-16F	259210-16F	257463-56						
	364	" 64	" 64			" 64						
W541-84AC W542-84AC	232	257517-32	257141-32	257206-16F	257258-16F	257357-32	257550G91	257553	257551B	-	UY128GAS # 10	

INDEX

PART NO.	PAGE	NO. REF.	PART NO.	PAGE	NO. REF.	PART NO.	PAGE	NO. REF.	PART NO.	PAGE	NO. REF.	PART NO.	PAGE	NO. REF.
W00024-1	59	46	4514	13	18	4555	13	20	7015	19	12	7036	59	49
W00030-1	27	24	4514	23	34	4555	13	28	7015	55	10	7041	71	27
W09070-2	33	27	4514	26	27	4556	11	41	7015	55	11	7043	7	3
W09070-2	71	20	4514	35	2	4556	13	34	7015	59	4	7043	7	24
226	51	42	4514	37	31	4592	13	4	7015	59	11	7043	35	4
233-SA	43	25	4514	39	3	4592	71	16	7015	71	7	7052	5	23
233-SA	83	7	4514	55	34	4802	19	27	7015	71	8	7066	5	17
247-SA	51	28	4514	57	16	4803	43	8	7017	3	35	7066	25	9
250	51	31	4514	65	7	4803	43	21	7017	7	20	7074	67	8
251-SA	51	33	4514	65	33	4803	43	24	7017	17	21	7074	67	11
252	51	39	4514	67	48	4803	43	27	7017	31	5	7075	5	26
253	51	29	4515	59	42	4803	43	33	7017	41	19	7077	33	20
253	51	45	4515	61	29	4803	51	37	7017	57	6	7079	51	11
254	51	43	4515	67	22	4803	61	36	7018	3	17	7079	51	15
255	51	38	4515	67	23	4803	63	9	7018	5	32	7079	55	25
256-SA	51	35	4527	33	14	4803	63	15	7018	9	18	7079	61	9
257A9S	51	27	4527	61	32	4803	67	38	7018	35	36	7080	47	16
270	51	30	4528	67	36	4805	19	21	7018	37	15	7080	73	10
272	45	8	4529	61	34	4805	27	37	7018	37	23	7081	57	14
293	43	28	4531	25	5	4805	29	21	7018	37	29	7082	11	38
293A	43	29	4531	31	8	4805	43	18	7018	55	40	7082	15	19
293B	43	30	4531	39	15	4805	43	38	7018	55	45	7083	65	19
293C	43	31	4534	11	11	4821	9	14	7019	5	7	7083	65	29
380A	43	6	4534	13	16	4821	37	27	7019	5	28	7084	3	11
381-SA	43	9	4534	29	17	4823	21	33	7019	7	8	7084	3	14
382-SA	43	11	4534	55	14	4904	57	18	7019	7	13	7085	19	34
383-SA	43	19	4534	71	11	4905	57	20	7019	9	16	7086	19	33
383-SA	63	3	4535	9	10	4913	51	34	7019	15	18	7086	51	28
384	43	22	4535	33	35	4913	63	18	7019	21	17	7086	73	7
386	43	39	4535	49	4	5053	41	6	7019	21	59	7087	35	34
386	63	19	4535	55	23	5084	17	8	7019	23	17	7089	5	29
486-9S	43		4535	67	30	5084	19	26	7019	23	83	7089	9	19
486A9S	43		4539	17	2	5084	27	22	7019	25	13	7093	45	10
486B9S	43		4539	19	4	5084	59	13	7019	27	35	7102	43	12
486C9S	43		4539	19	15	5109	59	35	7019	31	2	7105	39	13
502-SA	43	15	4539	21	8	5113	51	20	7019	31	25	7110	33	11
503-SA	43	1	4539	21	15	5116	61	19	7019	33	2	7120	69	13
504-SA	43	16	4539	21	52	5117	65	31	7019	33	25	7135	75	10
505-SA	43	4	4539	21	57	5118	27	5	7019	33	31	7152	13	5
505ASA	43	5	4539	28	8	5138B	39	24	7019	33	38	7153	13	6
506	43	36	4539	23	15	5141	67	17	7019	33	40	7268	13	7
507	43	10	4539	23	56	5161	51	44	7019	33	42	9048	45	1
509	43	2	4539	23	61	5164	27	28	7019	33	44	9050	57	21
512	43	13	4539	47	7	5187	27	26	7019	57	13	137108	33	47
527-SA	43	34	4539	47	14	5187	61	24	7019	61	30	137108	35	11
527ASA	43	35	4539	51	7	5234	61	22	7019	67	4	137109	33	48
1170-3	27	18	4539	53	7	5242	5	10	7019	67	15	167066	7	21
1227	29	7	4539	53	14	5267	21	46	7019	67	34	167066	61	15
1285	63	11	4539	55	33	5316	25	6	7020	5	14	179040-05	15	16
1448	51	32	4539	59	8	5317	21	13	7020	9	11	179107-05	5	3
1457-1	7	5	4539	61	7	5317	23	13	7020	9	13	179399-05	19	18
1817-2A	31	26	4539	69	7	5325	15	6	7020	15	14	179402-05	19	6
1998-2	25	8	4539	69	20	5373	15	22	7020	21	21	179403-15	19	8
2022-4	27	30	4539	75	7	5382	21	10	7020	23	21	192024	27	23
2133-1	31	12	4541	3	36	5382	23	10	7020	29	5	192024	59	45
2905	25	20	4541	11	42	5386	27	7	7020	41	8	192070	49	8
2921	35	9	4541	13	33	5387	33	49	7020	65	38	192120	31	3
3044	21	38	4543	17	6	5422	7	10	7020	67	33	200098	21	37
3044	21	44	4543	59	5	5429	7	6	7020	69	9	200098	21	43
3044	23	39	4545	11	12	5447	31	23	7021	5	4	200098	23	38
3044	23	45	4545	55	15	5447	49	24	7021	5	9	200098	23	44
3091	61	17	4545	59	31	5447	75	19	7021	7	2	200098	57	25
3091	61	27	4545	71	12	5476	43	3	7021	9	23	200136	37	3
4012	43	23	4546	23	52	5476	63	16	7021	7	2	200136	37	7
4012	43	28	4547	11	24	5486	25	23	7021	13	13	200136	37	18
4012	43	32	4547	11	27	5526	35	13	7021	15	13	200152	37	5
4012	51	36	4547	11	30	5540	51	21	7021	25	17	200152	37	8
4012	57	24	4547	11	32	5582	49	13	7021	39	20	200155	41	16
4012	63	8	4547	11	36	5590	21	3	7022	29	4	200555	23	50
4012	63	8	4547	13	21	5590	21	6	7023	5	33	200555	35	24
4012	63	14	4547	13	24	5590	23	3	7023	35	19	200555	35	28
4014	43	20	4547	13	26	5590	23	6	7023	65	5	200555	67	28
4014	63	4	4547	13	29	7008	59	37	7024	5	34	200983	57	9
4019	11	16	4547	29	13	7009	5	20	7025	27	9	201037	31	29
4021	43	17	4547	59	33	7009	33	18	7026	39	14	201068	31	33
4021	43	37	4547	65	22	7009	33	22	7027	45	13	201074A	11	15
4022	43	14	4548	65	23	7009	59	30	7027	51	9	201086	31	32
4325	35	30	4549	27	36	7010	27	15	7028	13	3	201185	25	21
4500	11	44	4554	15	3	7010	33	36	7028	21	50	201185	65	32
4500	17	18	4554	33	51	7010	41	12	7028	51	17	201191	9	8
4500	57	7	4554	35	16	7010	59	54	7028	55	42	201191	47	5
4501	13	35	4554	35	21	7010	65	16	7028	59	52	201191	47	12
4501	19	31	4554	35	26	7010	67	45	7028	71	15	201191	51	5
4501	33	6	4554	61	38	7011	11	21	7031	17	23	201191	53	5
4501	51	24	4554	61	40	7011	19	17	7031	23	54	201191	53	12
4501	59	24	4554	67	40	7012	7	19	7031	35	6	201191	55	21
4501	73	5	4554	87	42	7015	11	7	7031	57	2	201191	55	31
4504	39	27	4554	71	23	7015	11	8	7031	71	25	201191	61	5
4512	45	3	4555	11	25	7015	13	12	7032	19	7	201191	69	5
4514</														

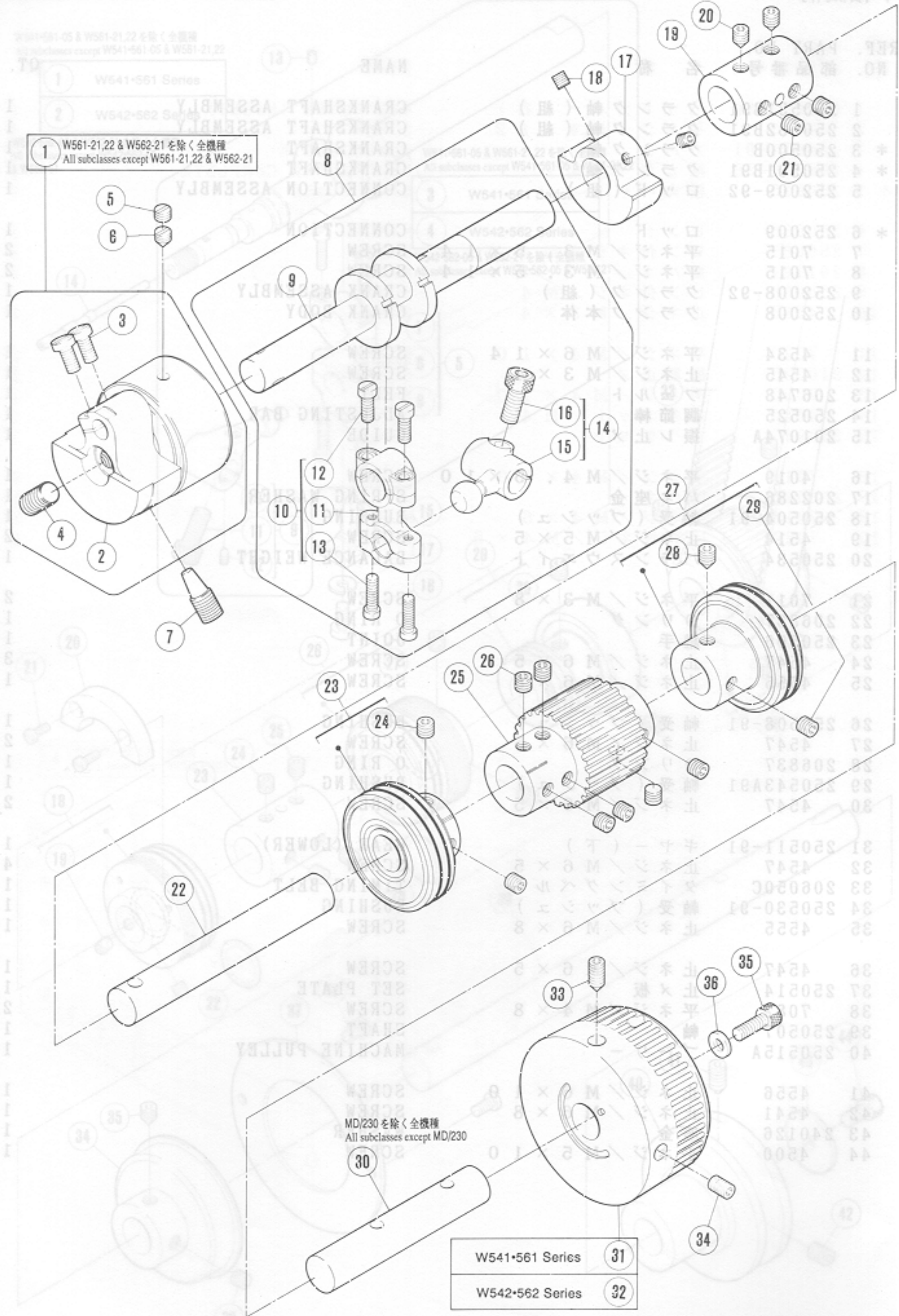
PART NO.	NO. PAGE REF.	PART NO.	NO. PAGE REF.	PART NO.	NO. PAGE REF.	PART NO.	NO. PAGE REF.	PART NO.	NO. PAGE REF.
201191	75 6	206148	27 29	212039	29 6	250014	69 6	250519	13 30
201252	33 15	206149	27 25	212186	15 23	250014	69 16	250521	13 25
201252	43 7	206156	27 21	230047A	3 15	250014	75 6	250523-UD	13 31
201252	61 16	206157	27 6	233020	29 8	250015	51 2	250523AUD	13 32
201913	51 19	206180	29 18	234521	33 34	250016AUD	5 8	250524	13 17
201914	51 16	206202	31 24	234521	49 3	250017	5 12	250525	11 14
202174	59 26	206202	49 18	234561	33 26	250019	5 5	250526B91	12 1
202175	21 56	206202	75 20	240001	3 25	250020	3 34	250526C91	71 13
202175	23 58	206203	31 21	240049	19 20	250021-UD	5 6	250528-91	13 27
202175	41 17	206203	49 21	240052	3 22	250022-UB	5 25	250529-91	13 23
202175	59 25	206203	75 17	240062	19 19	250023-UD	5 22	250530-91	11 34
202176	17 13	206213	61 21	240062	29 22	250024	55 28	250531-91	55 4
202176	29 10	206233	39 17	240095	27 12	250025-ME	55 44	250531B91	11 1
202176	59 17	206329	45 12	240097	59 20	250026	55 41	250531C91	71 1
202199	37 4	206339	45 2	240098	15 9	250027	55 37	250532-91	55 5
202199	37 9	206337	45 4	240098	71 28	250028	55 39	250532B91	11 2
202199	37 20	206338	45 11	240099	59 41	250032-SD	47 1	250532C91	71 2
202199	37 24	206366	23 43	240101	15 10	250032-SD	53 1	250533B91	13 8
202286	11 17	206431	39 18	240102	17 12	250032-SD	69 14	250534	11 20
202287A	39 25	206439	51 10	240102	16 3	250032-SD	75 1	250543A91	11 29
202340	55 28	206460	51 18	240102	33 12	250032BSD	47 8	251000-91	15 1
202433	67 46	206524	15 24	240102	59 18	250032BSD	53 8	251007	15 17
202522	59 47	206562	21 25	240102	67 9	250032BSD	61 1	251009	71 24
202526	3 20	206562	23 25	240110	3 21	250032BSD	69 1	251009	15 15
202577	67 10	206563	21 36	240112	27 3	250033-SD	51 1	251010	71 30
202588	33 23	206563	23 37	240113	27 10	250034-SD	55 27	251010A	71 29
202668	31 9	206564	21 42	240114A	65 25	250035	9 5	251500-91	57 12
202875	5 21	206564	23 43	240115	35 23	250035A	55 18	251503	57 11
202875	27 16	206565	21 41	240117	41 15	250036	9 6	251504	57 15
204023	65 11	206565	23 42	240119	21 53	250036	55 19	251505	57 5
204052A	17 15	206566	31 40	240119	23 59	250037	9 7	251505-92	57 4
204052A	59 21	206566	23 41	240120	21 27	250037	55 20	251517-91	17 1
204052A	73 2	206568	21 47	240122	23 47	250038	9 9	251518	17 10
204107	33 16	206569	21 45	240123	15 20	250038	55 22	251519	17 17
204128A	21 9	206569	33 51	240124	25 18	250039-SD	9 4	251519-92	17 18
204128A	23 9	206571	21 51	240125	23 31	250039ASD	55 17	251520	21 58
204129A	21 7	206571	23 60	240126	11 43	250040	7 12	251520	23 62
204129A	23 7	206590	3 30	240127	3 33	250042	7 15	252000	19 14
204161	59 50	206601A	51 15	240129	25 11	250043	7 18	252000-92	19 13
204439A	21 12	206601B	51 14	240134	37 25	250044	7 17	252001	19 11
204439A	23 12	206748	11 13	240135	37 10	250045	7 18	252001	59 10
204585	5 35	206748	17 14	240136	37 32	250046	7 9	252001-92	19 10
204585	13 36	206748	59 16	240143	37 14	250047	9 15	252001-92	59 9
204585	33 49	206781	41 3	240144	37 12	250049	3 10	252002	19 5
204585	51 12	206837	11 22	240162	25 14	250050-SD	51 8	252002	19 24
204585	51 40	206837	11 28	240201	33 10	250051	5 31	252004	19 1
204585	55 28	207045	59 43	240201-92	33 9	250052-SD	7 1	252004A	73 1
204585	61 10	207065-9U	41 1	240226	5 2	250052ASD	55 1	252006	19 22
204585	67 5	207066-UD	41 2	240228	3 19	250052B3D	7 22	252007	19 30
205061	17 11	207067-UD	41 4	240263	5 11	250052CSD	55 3	252007-92	19 29
205061	19 2	207068	41 5	240270	37 21	250060-91	7 14	252007A	51 23
205061	33 8	207358	21 55	240271	25 7	250062	7 7	252007A	73 4
205061	59 19	207358	23 57	250003	3 12	250066	55 36	252007A92	51 22
205088	3 23	207924	5 24	250004	3 13	250067-UB	65 36	252007A92	73 3
205088	7 4	207924	57 10	250005-UD	5 27	250068-UB	65 37	252008	11 10
205097	71 28	207925	29 28	250011	47 2	250069	3 9	252008	55 13
205111	37 19	207925	59 26	250011	53 2	250070-91	65 35	252008	71 10
205113A	37 8	208028	19 23	250011	61 2	250071-91	9 3	252008-92	11 9
205437	45 7	208029	19 25	250011	69 15	250074ASD	9 1	252008-92	55 12
205438-UA	57 22	208173	3 24	250011	75 2	250117	3 29	252008-92	71 9
205439-UA	57 23	208447-UA	31 31	250011B	47 9	250149-UD	5 1	252009	11 6
205495	17 9	208448	31 30	250011B	53 9	250214-9U	65 34	252009	55 9
205495-2	59 14	208450-UA	31 23	250011B	69 2	250215-SD	3 3	252009	71 8
205764	45 5	208949	21 30	250012	47 3	250215ASD	3 2	252009-92	11 5
205765	45 6	210003	3 6	250012	47 10	250215BSD	3 1	252009-92	55 8
205857	21 11	210025	5 30	250012	51 3	250216-SD	3 5	252009-92	71 5
205857	23 11	210025	9 12	250012	53 3	250216BSD	3 4	252010	19 16
206023	9 17	210025	55 35	250012	53 10	250233	3 31	252011-91	19 9
206050C	11 33	210167	35 22	250012	55 29	250228	3 37	252500-91	21 1
206052	15 8	210171	25 19	250012	61 3	250255	5 13	252500-91	23 1
206053	15 7	210200	39 16	250012	69 3	250256	5 16	252502-91	21 4
206061	15 5	210201-SD	39 19	250012	69 16	250257	5 19	252502-91	23 4
206062	15 12	210307	5 18	250012	75 3	250500	55 6	252504	21 14
206063	15 11	210319	31 27	250013	47 4	250500B	11 3	252504	23 14
206115	41 18	210328A	67 25	250013	47 11	250500C	71 3	252507	21 16
206119	21 35	210353	35 8	250013	51 4	250501-91	55 7	252507	23 16
206119	23 36	210585	35 7	250013	53 4	250501B91	11 4	252508	21 20
206120	21 34	210586	3 27	250013	53 11	250501C91	71 4	252508	23 20
206120	23 35	210586	3 28	250013	55 30	250504-91	11 18	252509	21 19
206123	21 39	210679	3 16	250013	61 4	250506	11 23	252509	23 19
206123	23 40	210679	3 32	250013	69 4	250506	13 19	252510	21 54
206125	21 28	210766	37 33	250013	69 17	250507	11 39	252510	23 55
206125-2	23 26	210766	41 14	250013	75 4	250508-91	11 26	252511	21 48
206127	21 23	210930	31 26	250014	47 6	250511-91	11 31	252512	47 15
206128	21 22	210930	61 35	250014	47 13	250514	11 37	252512	73 9
206128-2	23 22	210930	67 37	250014	51 6	250515A	11 40	252512A	21 28
206129	21 24	210955A	35 18	250014	53 6	250516B92	13 2	252513-91	21 31
206133	21 18	211301	7 11	250014	53 13	250516C92	71 14	252515	21 29
206133	23 18	211301	25 24	250014	55 32	250517A	13 9	252516	21 32
206139	27 4	211388	35 12	250014	61 6	250518	13 22	252516	23 30

PART NO.	PAGE	NO. REF.	PART NO.	PAGE	NO. REF.	PART NO.	PAGE	NO. REF.	PART NO.	PAGE	NO. REF.	PART NO.	PAGE	NO. REF.
252517	81	73 8	254010C9U	31	19	256010	85	14	257018C64	102	89	257049A32	106	101
252518	81	55 2	254010C9U	49	17	256011	81	85	257018C64	110	89	257049A32	107	88
252519	81	23 23	254010C9U	75	15	256012	8	65	257020-60	102	89	257049A32	113	86
252520	81	23 24	254019	31	15	256014	82	87	257022A56	109	78	257049A32	114	82
252521	81	23 27	254019	75	12	256015	88	3	257022A64	109	88	257049B24	106	81
252522	81	23 28	254019A	49	22	256016-9S	87	18	257022B56	109	88	257049B24	107	81
252523-91	81	23 29	254020	31	20	256017-SD	87	19	257022B64	109	88	257049B24	113	81
252525	81	23 32	254020	49	20	256018-SD	87	21	257029A24	103	88	257049B24	114	81
252526	81	23 46	254020	75	16	256019-91	87	28	257029A24	111	88	257049B32	106	81
252527-91	81	23 53	254021	31	16	256022	8	67	257029A32	103	88	257049B32	107	81
252531	81	25 1	254021	75	13	256023	81	67	257029A32	111	88	257049B32	113	81
252532	81	25 2	254021A	49	19	256024	82	67	257029B24	103	81	257049B32	114	81
252533	81	25 4	254022	31	11	256025	72	67	257029B24	111	88	257050A40	106	81
252533-92	81	25 3	254023B9U	31	34	256026	88	67	257029B32	103	82	257050A40	107	81
252536	81	25 10	254023C9U	31	13	256027	81	67	257029B32	111	88	257050A40	113	81
252538	81	25 16	254023D9U	31	35	256030	17	87	257029C24	103	77	257050A40	114	81
252539A91	81	25 12	254023E9U	31	14	256031	88	67	257029C24	111	88	257050A48	106	81
252543	81	23 32	254023H9U	75	11	256034-91	87	35	257029C32	103	88	257050A48	107	81
252544	81	21 49	254024-9U	49	14	256037	71	67	257029C32	111	88	257050A48	113	81
252664-91	81	25 15	254500A91	29	23	256038	81	61	257030A40	103	88	257050A48	114	81
253000-91	81	27 1	254501A	29	26	256038	88	67	257030A40	111	88	257050B40	106	81
253003	81	27 2	254501A92	29	25	256039	88	61	257030A48	103	88	257050B40	107	81
253004	81	27 13	254503	29	16	256039	78	67	257030A48	111	88	257050B40	113	81
253005-91	81	27 8	254503-92	29	15	256039A	8	61	257030B40	103	88	257050B40	114	81
253008-91	81	27 18	254504	29	20	256039A	78	67	257030B40	111	88	257050B48	108	77
253010	81	27 20	254506	29	12	256041	73	65	257030B48	103	88	257050B48	107	81
253011	81	27 27	254507	29	11	256042	38	65	257030B48	111	88	257050B48	113	81
253013	81	27 31	254508	29	9	256043-91	81	65	257030C40	103	88	257050B48	114	81
253014	81	27 32	254511	29	24	256046	18	65	257030C40	111	88	257051A18	106	81
253015	81	27 34	254516	29	3	256047	18	67	257030C48	103	88	257051A48	107	81
253018	81	27 11	254516-92	29	2	256048	88	65	257030C48	111	88	257051A48	113	81
253028	81	27 14	254519	29	14	256049-91Y	81	65	257031A48	103	88	257051A48	114	81
253029	81	55 16	255000	39	23	256061-91	81	65	257031A48	111	88	257051B48	106	81
253029	81	81 11	255000-92	39	22	256062-91	81	65	257031B48	111	88	257051B48	107	70
253500	81	13 11	255001	39	28	256063-91	87	8	257031C48	103	88	257051B48	113	81
253500-92	81	13 10	255002	3	26	256064-9S	87	12	257031C48	111	17	257051B48	114	81
253501A	81	13 15	255003	37	30	256065-91	87	1	257032A56	103	17	257052A56	106	81
253501A92	81	13 14	255003	73	11	256066-9U	85	73	257032A56	111	88	257052A56	107	81
253503	81	33 13	255005	37	16	257015A24	102	85	257032A64	103	81	257052A56	113	81
253504	81	33 5	255006	37	28	257015A24	110	87	257032A64	111	81	257052A56	114	81
253504-92	81	33 4	255007-91	37	26	257015A32	102	88	257032B56	103	81	257052A64	106	81
253505A	81	33 1	255010-91	37	22	257015A32	110	88	257032B56	111	81	257052A64	107	81
253505B	81	49 5	255013	41	11	257015A40	102	81	257032B64	103	81	257052A64	113	81
253506	81	33 37	255014	41	13	257015A40	110	81	257032B64	111	17	257052A64	114	81
253507	81	33 17	255015	41	7	257015A48	102	81	257032C56	103	77	257052B56	106	81
253507A	81	49 8	255016	41	10	257015A48	110	103	257032C56	111	78	257052B56	107	81
253508A	81	33 19	255019	39	2	257015B24	102	103	257032C64	103	81	257052B56	113	81
253509A	81	33 21	255020	3	8	257015B24	110	83	257032C64	111	88	257052B56	114	81
253511	81	33 50	255021	37	17	257015B32	102	83	257033A56	103	88	257052B64	106	81
253514	81	33 39	255022	39	5	257015B32	110	83	257033A56	111	78	257052B64	107	81
253515	81	33 41	255023	39	8	257015B40	102	81	257033A64	103	88	257052B64	113	81
253516	81	33 24	255024	39	11	257015B40	110	17	257033A64	111	88	257052B64	114	81
253517	81	33 28	255025	39	6	257015B48	102	80	257033B56	111	88	257053A56	106	81
253517	81	49 9	255026	39	9	257015B48	110	80	257033B64	111	88	257053A56	107	81
253517	81	71 19	255027	39	7	257015C24	102	80	257033C56	103	88	257053A56	113	81
253524	81	35 17	255027	39	10	257015C24	110	110	257033C56	111	88	257053A56	114	81
253525	81	35 20	255028	39	12	257015C32	102	110	257033C64	103	88	257053A64	106	81
253526	81	35 25	255033	39	4	257015C32	110	110	257033C64	111	88	257053A64	107	81
253527	81	35 32	255035-91	37	1	257015C40	102	110	257044A32	108	88	257053A64	113	81
253528	81	35 33	255037	37	2	257015C40	110	110	257044A32	115	81	257053A64	114	81
253533A	81	35 5	255038	37	11	257015C48	102	81	257044B32	108	71	257053B56	106	81
253536	81	35 35	255039	37	13	257015C48	110	81	257044B32	115	81	257053B56	107	81
253544	81	33 30	255040-91	39	1	257016A48	102	81	257045A40	108	88	257053B56	113	81
253544A	81	49 1	255500	59	7	257016A48	110	81	257045A40	115	88	257053B56	114	81
253545	81	33 33	255500-92	59	6	257016B48	102	81	257045A48	108	80	257053B64	106	81
253545A	81	49 2	255501	17	4	257016B48	110	81	257045A48	115	82	257053B64	107	81
253547	81	33 46	255501	59	3	257016C48	102	81	257045B40	108	80	257053B64	113	81
253548	81	33 43	255501-92	17	3	257016C48	110	81	257045B40	115	80	257053B64	114	81
253548A	81	71 31	255501-92	59	2	257017A56	102	81	257045B48	108	78	257064A48	108	81
253548B	81	49 7	255502	59	15	257017A56	110	81	257045B48	115	17	257064A48	115	81
253548B	81	71 17	255503	59	23	257017A64	102	81	257047A56	108	88	257064B48	108	81
253593	81	33 20	255503-92	59	22	257017A64	110	81	257047A56	115	10	257064B48	115	81
253593	81	49 10	255504	59	29	257017B56	102	81	257047A64	108	78	257084B40	108	81
253593	81	71 18	255505	59	27	257017B56	110	81	257047A64	115	81	257084B40	115	81
253608-91	81	35 1	255506	59	39	257017B64	102	81	257047B56	108	88	257084B48	108	81
253611	81	35 3	255507-91	59	32	257017B64	110	81	257047B56	115	88	257084B48	115	81
253612	81	35 14	255508-2	59	40	257017C56	102	81	257047B64	108	88	257084C40	108	81
253613	81	35 15	255509	59	48	257017C56	110	81	257047B64	115	88	257084C40	115	81
253614	81	35 29	255510	59	51	257017C64	102	81	257048A56	108	88	257084C48	108	81
253615	81	35 37	255511	59	53	257017C64	110	81	257048A56	115	81	257084C48	115	81
254000-91	81	31 10	255513	59	55	257018A56	102	81	257048A64	108	87	257087B40	105	81
254003B91	81	31 7	255514-91	59	38	257018A56	110	81	257048A64	115	88	257087B40	112	81
254003B92	81	31 6	255515	59	36	257018A64	102	81	257048B56	108	88	257087B48	105	81
254008	81	31 1	255516-91	59	1	257018A64	110	81	257048B56	115	88	257087B4		

INDEX

INDEX

PART NO.	NO. PAGE REF.	PART NO.	NO. PAGE REF.	PART NO.	NO. PAGE REF.	PART NO.	NO. PAGE REF.	PART NO.	NO. PAGE REF.
257088C48	105	257218-16F	115	257332A24	113	257517-32	106	257518-64	113
257088C48	112	257220-16F	106	257332A32	113	257517-32	107	257518-64	114
257089B56	105	257220-16F	113	257333A40	113	257517-32	108	257518-64	115
257089B56	112	257220A16F	107	257333A48	113	257517-32	110	257550-91	102
257089B64	105	257220A16F	114	257334A56	113	257517-32	111	257550-91	103
257089B64	112	257221-16F	106	257334A64	113	257517-32	113	257550-91	104
257089C56	105	257221-16F	113	257335A48	113	257517-32	114	257550-91	105
257089C56	112	257221A16F	107	257335A48	114	257517-32	115	257550-91	106
257089C64	105	257221A16F	114	257336A56	113	257517-40	102	257550-91	107
257089C64	112	257222-16F	106	257336A56	114	257517-40	103	257550-91	108
257090B56	105	257222-16F	113	257336A64	113	257517-40	104	257550-91	110
257090B56	112	257222A16F	107	257336A64	114	257517-40	105	257550-91	111
257090B64	105	257222A16F	114	257337A32	108	257517-40	106	257550-91	112
257090B64	112	257253-16F	105	257338A40	108	257517-40	107	257550-91	113
257090C56	105	257253-16F	112	257338A48	108	257517-40	108	257550-91	114
257090C56	112	257258-16F	102	257339A56	108	257517-40	110	257550-91	115
257090C64	105	257258-16F	102	257339A64	108	257517-40	111	257550A91	109
257090C64	112	257258-16F	110	257340A48	108	257517-40	112	257550B91	109
257091B40	105	257258-16F	115	257341A56	108	257517-40	113	257550C91	102
257091B40	112	257259-16F	102	257341A64	108	257517-40	114	257550E91	102
257091B48	105	257259-16F	109	257342A32	115	257517-40	115	257550E91	103
257091B48	112	257259-16F	110	257343A40	115	257517-48	102	257550E91	105
257091C40	105	257260-16F	103	257343A48	115	257517-48	103	257550E91	106
257091C40	112	257260-16F	104	257344A56	115	257517-48	105	257550E91	107
257091C48	105	257260-16F	108	257344A64	115	257517-48	106	257550E91	108
257091C48	112	257260-16F	111	257345A48	115	257517-48	107	257550E91	110
257092B48	105	257260-16F	115	257346A56	115	257517-48	108	257550E91	111
257092B48	112	257261-16F	103	257346A64	115	257517-48	110	257550E91	112
257092C48	105	257261-16F	104	257357-32	115	257517-48	111	257550E91	113
257092C48	112	257261-16F	108	257448-32	104	257517-48	112	257550E91	114
257093B56	105	257261-16F	111	257448-32	115	257517-48	113	257550E91	115
257093B56	112	257261-16F	115	257449-40	104	257517-48	114	257550G91	115
257093B64	105	257262-16F	103	257460-24	102	257517-48	115	257551A	102
257093B64	112	257262-16F	108	257460-32	102	257517-56	102	257551B	102
257093C56	105	257262-16F	111	257460-40	102	257517-56	103	257551B	103
257093C56	112	257262-16F	115	257460-40	108	257517-56	105	257551B	104
257093C64	105	257266-16F	106	257460-48	102	257517-56	106	257551B	105
257093C64	112	257266-16F	107	257460-48	108	257517-56	107	257551B	106
257094B56	105	257266-16F	113	257460-56	102	257517-56	108	257551B	107
257094B56	112	257266-16F	114	257460-64	102	257517-56	110	257551B	108
257094B64	105	257267-16F	106	257461-48	102	257517-56	111	257551B	109
257094B64	112	257267-16F	107	257461-56	102	257517-56	112	257551B	110
257094C56	105	257267-16F	113	257461-56	108	257517-56	113	257551B	111
257094C56	112	257267-16F	114	257461-64	102	257517-56	114	257551B	112
257094C64	105	257268-16F	106	257461-64	108	257517-56	115	257551B	113
257094C64	112	257268-16F	107	257462-24	110	257517-64	102	257551B	114
257095B56	108	257268-16F	113	257462-32	110	257517-64	103	257551B	115
257095B56	115	257268-16F	114	257462-40	110	257517-64	105	257553	102
257095B64	108	257317A24	103	257462-40	115	257517-64	106	257553	103
257095B64	115	257317A32	103	257462-48	110	257517-64	107	257553	104
257095C56	108	257318A40	103	257462-48	115	257517-64	108	257553	105
257095C56	115	257318A48	103	257462-56	110	257517-64	110	257553	106
257095C64	108	257319A56	103	257462-64	110	257517-64	111	257553	107
257095C64	115	257319A64	103	257463-48	110	257517-64	112	257553	108
257123-16F	115	257320A48	103	257463-56	110	257517-64	113	257553	109
257139A32	104	257321A56	103	257463-56	115	257517-64	114	257553	110
257139A32	115	257321A64	103	257463-64	110	257517-64	115	257553	111
257139B32	104	257322A24	111	257463-64	115	257518-48	102	257553	112
257139C32	104	257322A24	114	257466-56	109	257518-48	103	257553	113
257140A40	104	257322A32	111	257466-64	109	257518-48	105	257553	114
257140B40	104	257322A32	114	257467-40	105	257518-48	106	257553	115
257140C40	104	257323A40	111	257467-48	105	257518-48	107	257565	29
257141-32	115	257323A40	114	257467-56	105	257518-48	108	257565	102
257203A16F	102	257323A48	111	257467-64	105	257518-48	110	257565	103
257206-16F	102	257323A48	114	257468-48	105	257518-48	111	257565	104
257206-16F	105	257324A56	111	257468-56	105	257518-48	112	257565	105
257206-16F	108	257324A56	114	257468-64	105	257518-48	113	257565	106
257206-16F	110	257324A64	111	257469-40	112	257518-48	114	257565	107
257206-16F	112	257324A64	114	257469-48	112	257518-48	115	257565	108
257206-16F	115	257325A48	111	257469-56	112	257518-56	102	257565	109
257207-16F	102	257326A56	111	257469-64	112	257518-56	103	257571	69
257207-16F	105	257326A64	111	257470-48	112	257518-56	105	257572	69
257207-16F	108	257327A24	106	257470-56	112	257518-56	106	257591	75
257207-16F	109	257327A24	107	257470-64	112	257518-56	107	258000-91	61
257207-16F	110	257327A32	106	257491-60	102	257518-56	108	258001	61
257207-16F	112	257327A32	107	257501-56	109	257518-56	110	258002	61
257207-16F	115	257328A40	106	257501-64	109	257518-56	111	258003	61
257209-16F	108	257328A40	107	257501A56	109	257518-56	112	258004-91	61
257210-16F	108	257328A48	106	257513-60	102	257518-56	113	258013-91	69
257214-16F	103	257328A48	107	257517-24	102	257518-56	114	259000	45
257214-16F	108	257329A56	106	257517-24	103	257518-56	115	259123-16F	104
257214-16F	111	257329A56	107	257517-24	106	257518-64	102	259124-16F	104
257214-16F	115	257329A64	106	257517-24	107	257518-64	103	259200-16F	105
257215-16F	103	257329A64	107	257517-24	110	257518-64	105	259200-16F	112
257215-16F	108	257330A48	106	257517-24	111	257518-64	106	303067	17
257215-16F	111	257330A48	107	257517-24	113	257518-64	107	303067	19
257215-16F	115	257331A56	106	257517-24	114	257518-64	108	303067	33
257216-16F	103	257331A56	107	257517-32	102	257518-64	110	303067	51
257216-16F	108	257331A64	106	257517-32	103	257518-64	111	303067	51
257216-16F	111	257331A64	107	257517-32	104	257518-64	112	303067	57



上軸機構

ARM SHAFT MECHANISM

REF. NO.	PART NO. 部品番号	名称	NAME	QT.
1	250526B91	モーション (組)	MOTION ASSEMBLY	1
* 2	250516B92	モーション (組)	MOTION ASSEMBLY	1
3	7028	平ネジ / M 5 × 1 0	SCREW	2
4	X 4592	止ネジ / M 8 × 1 5	SCREW	1
5	2 7152	止ネジ / M 6 × 4	SCREW BAR CLAMP	1
6	7153	止ネジ / M 6 × 6	SCREW	1
7	2 7268	止ネジ / M 8 × 1 0	SCREW	1
8	250533B91	クランク軸 (組)	CRANKSHAFT ASSEMBLY	1
* 9	250517A	クランク軸	CRANKSHAFT	1
10	253500-92	ロッド (組)	CONNECTION ASSEMBLY	1
* 11	253500	ロッド	CONNECTION	1
12	2 7015	平ネジ / M 3 . 5 × 1 4	SCREW BLOCK/NEEDLE BAR	2
13	7021	平ネジ / M 4 × 1 2	SCREW	2
14	253501A92	クランク (組)	CRANK ASSEMBLY	1
* 15	253501A	クランク	CRANK	1
16	4534	平ネジ / M 6 × 1 4	SCREW	1
17	250524	バランスウエイト	BALANCE WEIGHT	1
18	4514	止ネジ / M 5 × 5	SCREW	2
19	250506	継手	JOINT	1
20	2 4555	止ネジ / M 6 × 8	SCREW RUBBER	2
21	X 4547	止ネジ / M 6 × 5	SCREW PLATE	2
22	250518	軸	SHAFT	1
23	250529-91	軸受 (ブッシュ)	BUSHING	1
24	4547	止ネジ / M 6 × 5	SCREW WICK RETAINER	2
25	250521	ギヤ (上)	GEAR (UPPER)	1
26	4547	止ネジ / M 6 × 5	SCREW	6
27	250528-91	軸受 (ブッシュ)	BUSHING	1
28	4555	止ネジ / M 6 × 8	SCREW	1
29	4547	止ネジ / M 6 × 5	SCREW	1
30	250519	軸	SHAFT	1
31	250523-UD	ハンドホイール	HANDWHEEL	1
32	250523AUD	ハンドホイール	HANDWHEEL	1
33	4541	止ネジ / M 6 × 8	SCREW	1
34	4556	止ネジ / M 6 × 1 0	SCREW	1
35	4501	平ネジ / M 5 × 1 4	SCREW	1
36	204585	座金	WASHER	1

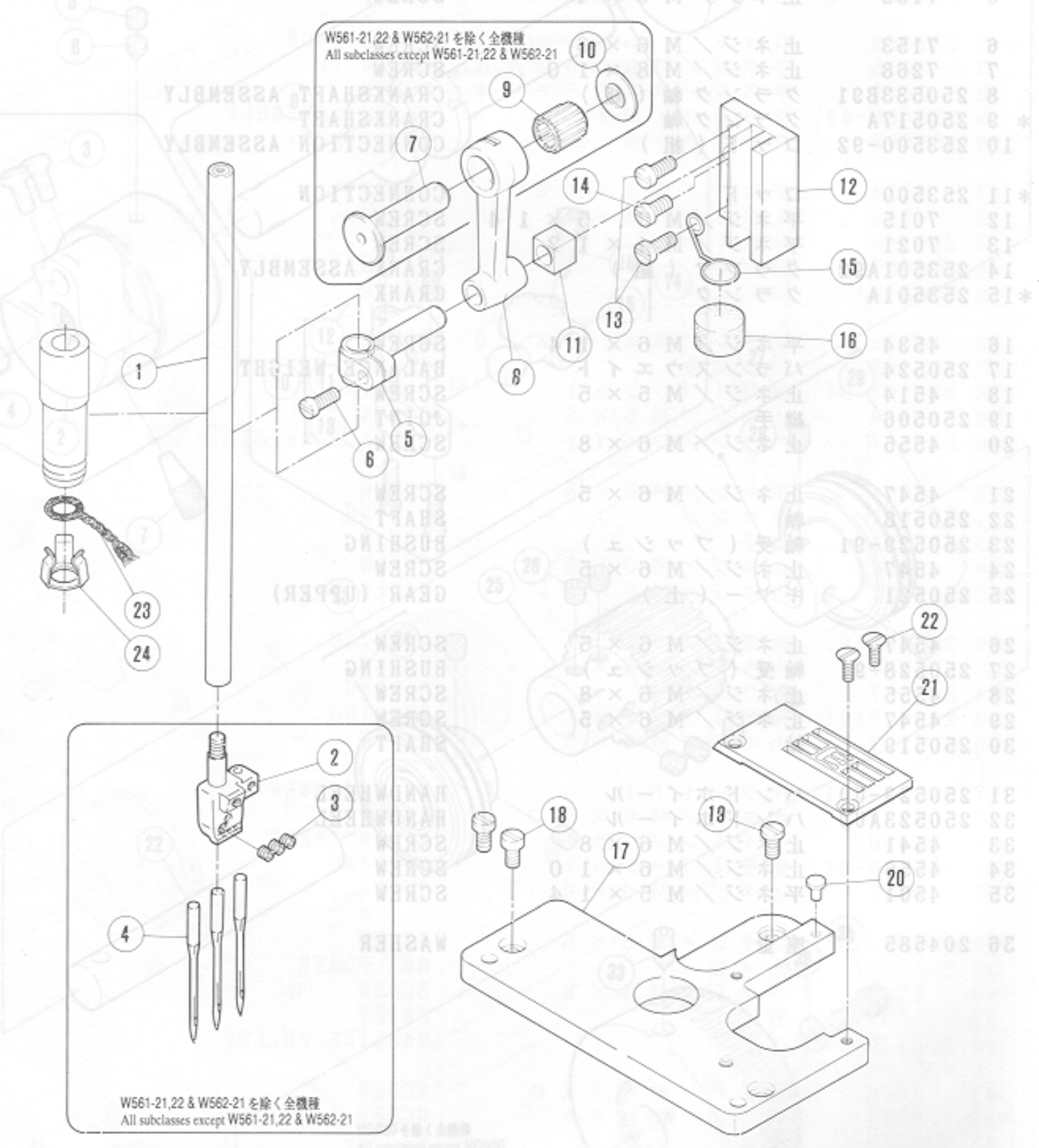
XXXXXXXXはゲージパーツです。
102-115頁のゲージパーツ表で確認してください。

*=販売不可 (Not for sale.)

XXXXXXXX is one of the gauge parts.
Please confirm the correct part by the gauge parts lists on pages 102-115.

REP. PART NO. 部品番号

QT.	NAME	UNIT	QTY	REP. PART NO.	部品番号
1	MOTION ASSEMBLY	(組)	1	250528801	モーション
1	MOTION ASSEMBLY	(組)	1	250548802	モーション
1	SCREW	M 6 × 1.0	1	7028	平ネジ
1	SCREW	M 8 × 1.5	4	4592	止ネジ
1	SCREW	M 6 × 4	2	7153	止ネジ
1	SCREW	M 6 × 4	6	7153	止ネジ
1	SCREW	M 8 × 1.0	7	7268	止ネジ
1	SCREW	M 8 × 1.0	8	250533801	止ネジ
1	SCREW	M 8 × 1.0	9	250517A	止ネジ
1	SCREW	M 8 × 1.0	10	253500-93	止ネジ
1	SCREW	M 8 × 1.0	11	253500	止ネジ
1	SCREW	M 8 × 1.0	12	7015	止ネジ
1	SCREW	M 8 × 1.0	13	7021	止ネジ
1	SCREW	M 8 × 1.0	14	253501A	止ネジ
1	SCREW	M 8 × 1.0	15	253501A	止ネジ
1	SCREW	M 6 × 5	16	4534	止ネジ
1	SCREW	M 6 × 5	17	250524	止ネジ
1	SCREW	M 6 × 5	18	4514	止ネジ
1	SCREW	M 6 × 8	19	250508	止ネジ
1	SCREW	M 6 × 8	20	4525	止ネジ
1	SCREW	M 6 × 5	21	4547	止ネジ
1	SCREW	M 6 × 5	22	250518	止ネジ
1	SCREW	M 6 × 5	23	250528-91	止ネジ
1	SCREW	M 6 × 5	24	4547	止ネジ
1	SCREW	M 6 × 5	25	250521	止ネジ
1	SCREW	M 6 × 5	26	4547	止ネジ
1	SCREW	M 6 × 5	27	250528	止ネジ
1	SCREW	M 6 × 8	28	4547	止ネジ
1	SCREW	M 6 × 5	29	4547	止ネジ
1	SCREW	M 6 × 5	30	250519	止ネジ
1	SCREW	M 6 × 5	31	250528	止ネジ
1	SCREW	M 6 × 8	32	250523A	止ネジ
1	SCREW	M 6 × 8	33	4541	止ネジ
1	SCREW	M 6 × 1.0	34	4592	止ネジ
1	SCREW	M 5 × 1.0	35	4592	止ネジ
1	SCREW	M 5 × 1.0	36	204585	止ネジ



針棒機構

NEEDLE BAR MECHANISM

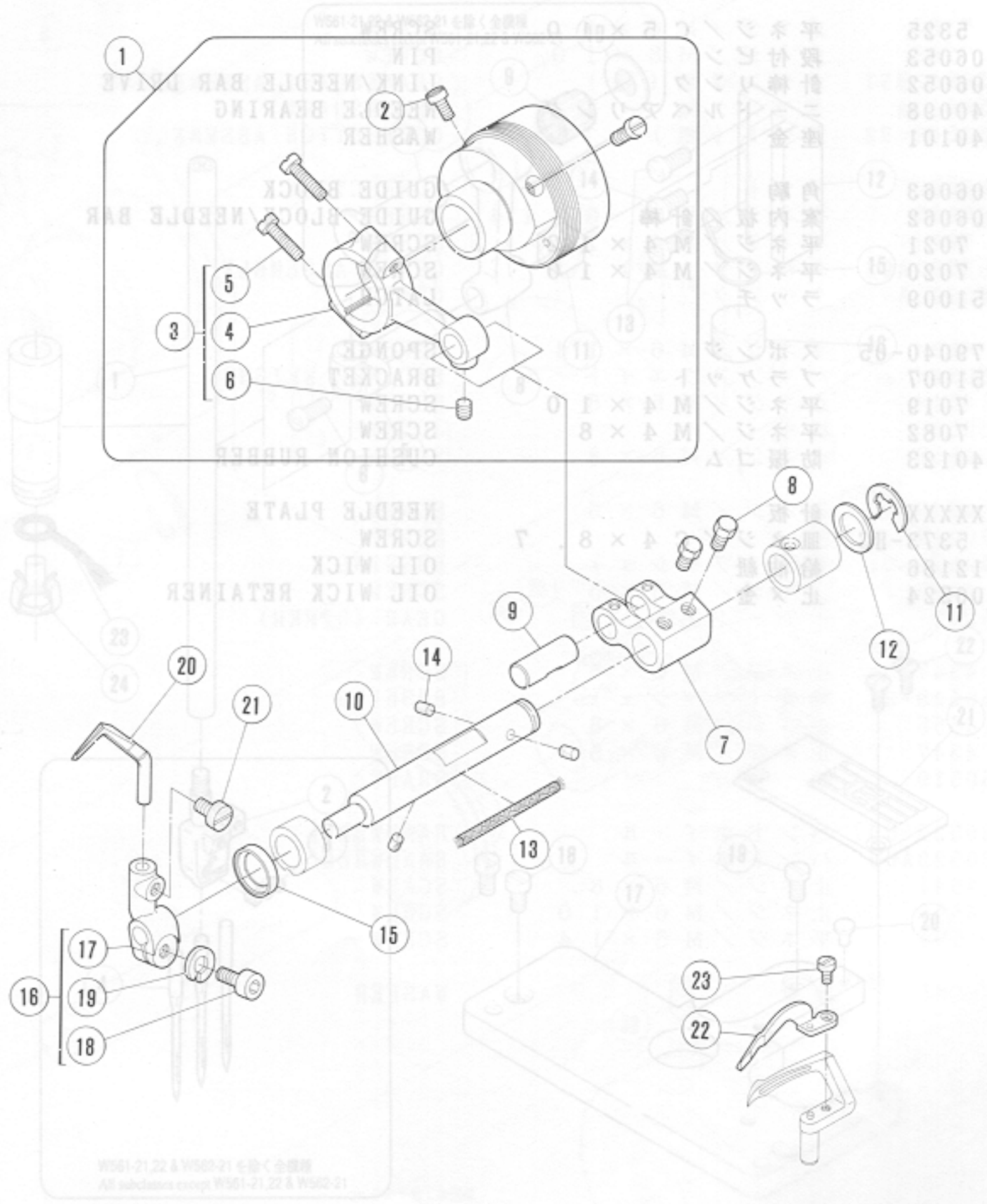
REF. NO.	PART NO. 部品番号	名称	NAME	QT.
1	251000-91	針棒	NEEDLE BAR CONNECTION ASSEMBLY	1
2	XXXXXX	針留	NEEDLE HOLDER	1
3	4554	止ネジ	SCREW	3
4	XXXXXX	針	NEEDLE	3
5	206061	針棒抱キ	NEEDLE BAR CLAMP	1
6	5325	平ネジ	SCREW	1
7	206053	段付ピン	PIN	1
8	206052	針棒リンク	LINK/NEEDLE BAR DRIVE	1
9	240098	ニードルベアリング	NEEDLE BEARING	1
10	240101	座金	WASHER	1
11	206063	角駒	GUIDE BLOCK	1
12	206062	案内板	GUIDE BLOCK/NEEDLE BAR	1
13	7021	平ネジ	SCREW	2
14	7020	平ネジ	SCREW	1
15	251009	ラッチ	LATCH	1
16	179040-05	スポンジ	SPONGE	1
17	251007	ブラケット	BRACKET	1
18	7019	平ネジ	SCREW	2
19	7082	平ネジ	SCREW	1
20	240123	防振ゴム	CUSHION RUBBER	1
21	XXXXXX	針板	NEEDLE PLATE	1
22	5373-HC	皿ネジ	SCREW	2
23	212186	給油紐	OIL WICK	1
24	206524	止メ金	OIL WICK RETAINER	1



XXXXXXはゲージパーツです。
102~115頁のゲージパーツ表で確認してください。

XXXXXX is one of the gauge parts.
Please confirm the correct part by the gauge parts lists on pages 102~115.

QTY.	NAME	品名	REF. PART NO.
1	NEEDLE BAR	針棒	1 251000-01
1	NEEDLE HOLDER	針留	2 XXXXX
3	SCREW	止ネジ	3 4254 M 3 x 3
3	NEEDLE	針	4 XXXXX
1	NEEDLE BAR CLAMP	針棒止	5 206081
1			6 2325
1			7 206053
1			8 206052
1			9 240098
1			10 240101
1			11 206063
1			12 206062
1			13 7021
1			14 7020
1			15 251009
1			16 179040
1			17 251007
1			18 7019
1			19 7082
1			20 240123
1			21 XXXXX
1			22 2371
1			23 21218
1			24 20784



*W500=W541-542 Series
 XXXXX is one of the gauge parts.
 Please confirm the correct part by the gauge part.

REF. NO.	PART NO.	部品番号	名称	NAME	QT.
1	251517-91		エキセン / ロッド (組)	ECCENRTIC/CONNECTION ASSEMBLY	1
2	204539		止ネジ / M 5 × 6	SCREW	2
3	255501-92		ロッド (組)	CONNECTION ASSEMBLY	1
*	4	255501	ロッド	CONNECTION	1
5	257015		平ネジ / M 3 . 5 × 1 4	SCREW	2
6	174543		止ネジ	SCREW	1
7	306093		クランク	CRANK	1
8	175084		六角ネジ / C 5 × 5 . 5	SCREW	2
9	205495		平行ピン	PIN	1
10	251518		軸	SHAFT	1
*11	205061		止メ輪	RING	1
12	240102		座金	WASHER	1
13	202176		給油紐	OIL WICK	1
14	206748		フェルト	FELT	3
15	204052A		オイルシール	OIL SEAL	1
16	251519-92		レバー (組)	LEVER ASSEMBLY	1
*17	251519		レバー本体	LEVER	1
18	174500		平ネジ / M 5 × 1 0	SCREW	1
19	303067		バネ座金	SPRING WASHER	1
20	XXXXXX		針受 (後)	NEEDLE GUARD (REAR)	1
21	7017		平ネジ / M 4 × 5	SCREW	1
22	XXXXXX		針受 (前)	NEEDLE GUARD (FRONT)	1
23	207031		平ネジ / M 2 . 5 × 4	SCREW	1
24	252003		角駒ピン	BLOCK PIN	1
25	208029		カラー	COLLAR	1
26	5084		六角ネジ / C 5 × 5	SCREW	1
27	4802		六角ナット / M 4	NUT	1
28	XXXXXX		ルーバ	LOOPER	1
29	252007-92		ルーバ台 (組)	LOOPER HOLDER ASSEMBLY	1
*30	252007		ルーバ台	LOOPER HOLDER	1
31	4501		平ネジ / M 5 × 1 4	SCREW	1
			バネ金	SPRING WASHER	1
			平ネジ / M 4 × 7	SCREW	1
			平ネジ / M 6 × 1 0	SCREW	1

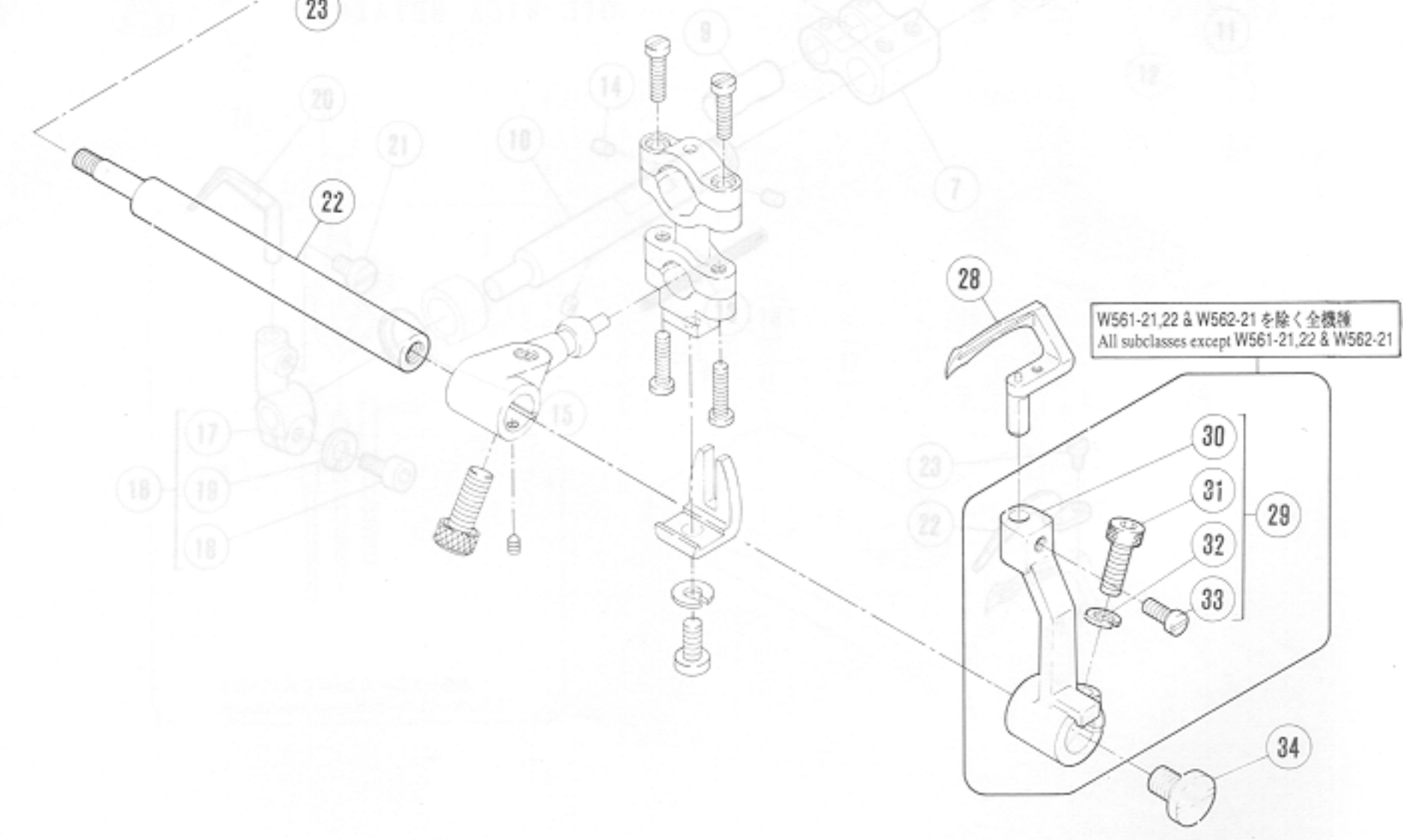
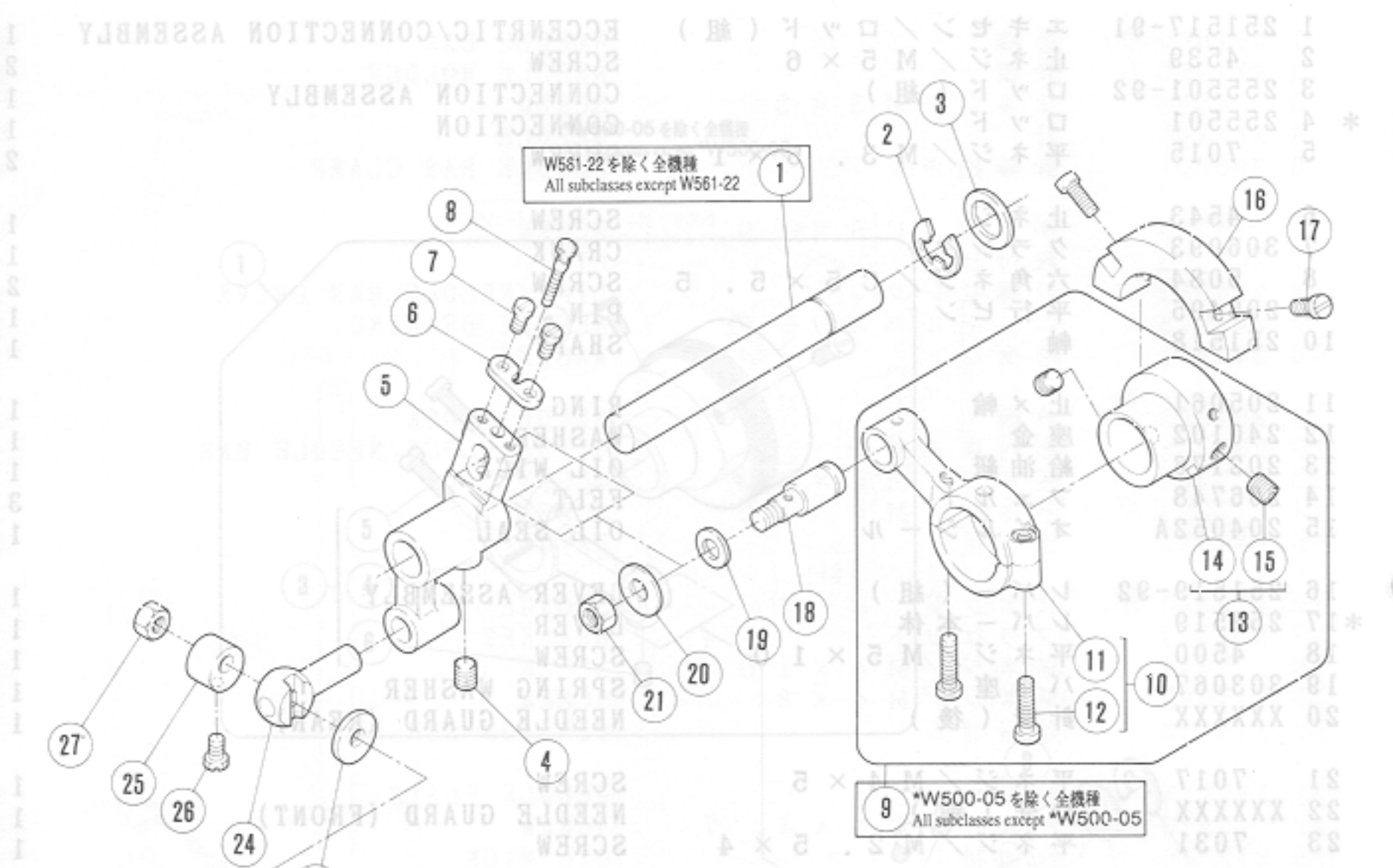
IS-580W & SS-1S-102W
IS-580W & SS-1S-102W

XXXXXXはゲージパーツです。
102-115頁のゲージパーツ表で確認してください。

XXXXXX is one of the gauge parts.
Please confirm the correct part by the gauge parts lists on pages 102-115.

* =販売不可 (Not for sale.)

QT.	NAME	品名	REF. PART NO.	REF. PART NO.
			部品番号	部品番号



*W500=W541-542 Series
W561-562 Series

X X X X X is one of the gauge parts.
Please confirm the correct part by the gauge part.

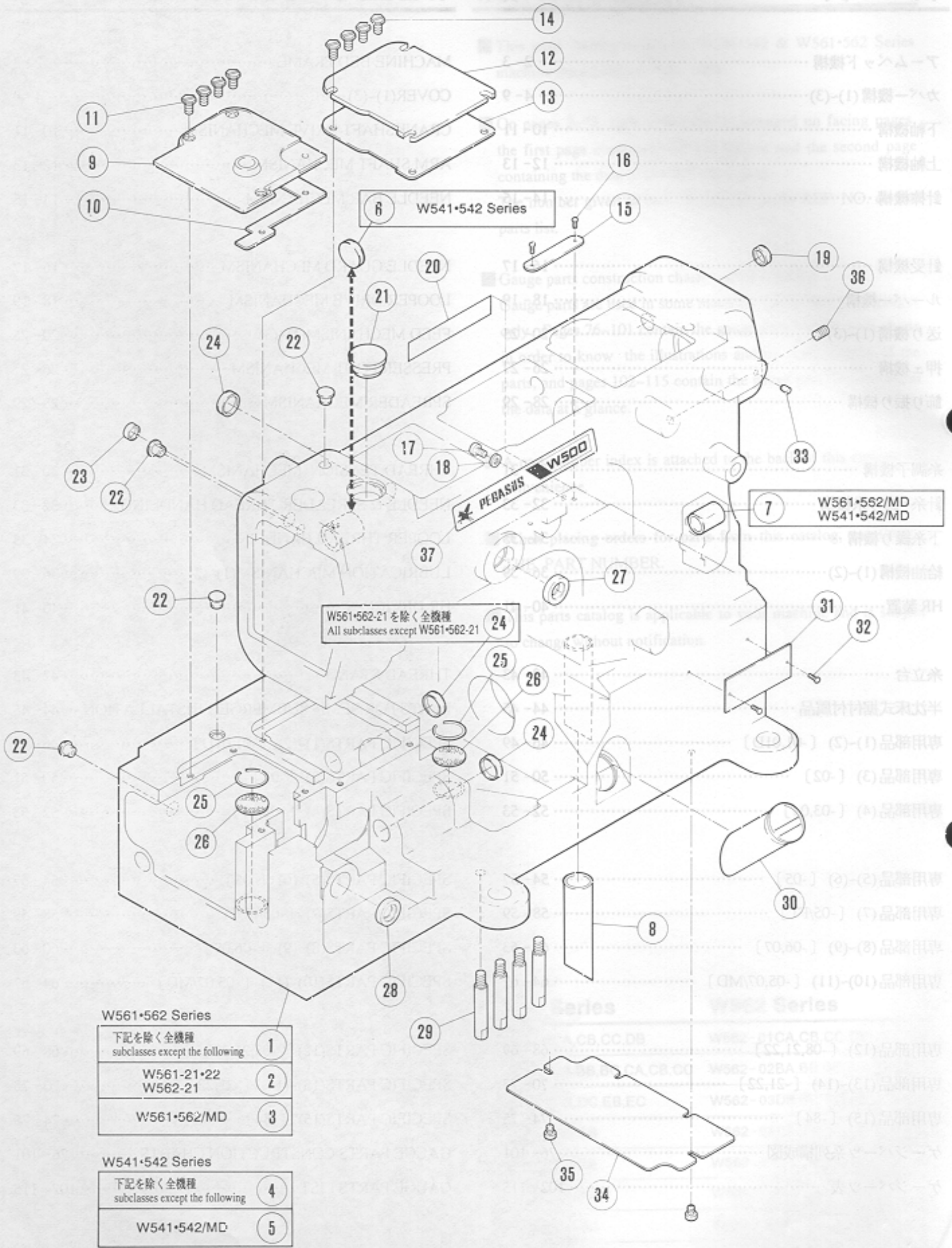
105-115頁の「針受機構」にて確認してください。
*表示不可 (Not for sale)

REF. NO.	PART NO.	部品番号	名称	NAME	QT.
1	252004		軸	SHAFT	1
2	205061		止メ輪	RING	1
3	240102		座金	WASHER	1
4	4539		止ネジ / M 5 × 6	SCREW	1
5	252002		クランク	CRANK	1
6	179402-05		案内板	GUIDE PLATE	1
7	7032		平ネジ / M 2.5 × 6	SCREW	2
8	179403-15		段付ネジ / M 2.5	SCREW	1
9	252011-91		エキセンロッド (組)	ECCENTRIC-CONNECTION ASSEMBLY	1
10	252001-92		ロッド (組)	CONNECTION ASSEMBLY	1
*11	252001		ロッド	CONNECTION	1
12	7015		平ネジ / M 3.5 × 14	SCREW	2
13	252000-92		エキセン (組)	ECCENTRIC ASSEMBLY	1
14	252000		エキセン	ECCENTRIC	1
15	4539		止ネジ / M 5 × 6	SCREW	2
16	252010		バランスウエイト	BALANCE WEIGHT	1
17	7011		平ネジ / M 3 × 8	SCREW	2
18	179399-05		段付ピン	PIN	1
19	240062		座金	WASHER	1
20	240049		座金	WASHER	1
21	4805		六角ナット / M 5	NUT	1
22	252006		軸	SHAFT	1
23	208028		座金	WASHER	1
24	252003		角駒ピン	BLOCK PIN	1
25	208029		カラー	COLLAR	1
26	5084		六角ネジ / C 5 × 5.5	SCREW	1
27	4802		六角ナット / M 4	NUT	1
28	XXXXXX		ルーパー	LOOPER	1
29	252007-92		ルーパー台 (組)	LOOPER HOLDER ASSEMBLY	1
*30	252007		ルーパー台	LOOPER HOLDER	1
31	4501		平ネジ / M 5 × 14	SCREW	1
32	303067		バネ座金	SPRING WASHER	1
33	7086		平ネジ / M 4 × 7	SCREW	1
34	7085		平ネジ / M 6 × 10	SCREW	1
41	206565		止輪	RING	1
42	206564		連結棒	DIFFERENTIAL FEED BAR	1
43	200098		座金	WASHER	1
44	3044		六角ナット	NUT	1
45	206569		平行ピン	PIN	1
46	5267		止ネジ / C 4 × 4	SCREW	1
47	206568		クランク / 差動送り	CRANK/DIFFERENTIAL FEED	1
48	206570		段付ピン	PIN	1
49	206571		指示器	INDICATOR	1
50	7028		平ネジ / M 5 × 10	SCREW	1
51	206571		ブッシュ	BUSHING	1
52	4539		止ネジ / M 5 × 6	SCREW	1
53	240119		スペーサ	SPACE	1
54	252510		軸	SHAFT	1
55	207358		フ	OIL BELT	1
56	202175		給油	OIL WICK	1
57	4539		止ネジ / M 5 × 6	SCREW	1
58	251520		ブラケット	BRACKET	1
59	7019		平ネジ / M 4 × 10	SCREW	1

XXXXXXはゲージパーツです。
102-115頁のゲージパーツ表で確認してください。

XXXXXX is one of the gauge parts.
Please confirm the correct part by the gauge parts lists on pages 102-115.

*=販売不可 (Not for sale.)



W561•562 Series	
下記を除く全機種 subclasses except the following	1
W561-21•22 W562-21	2
W561•562/MD	3

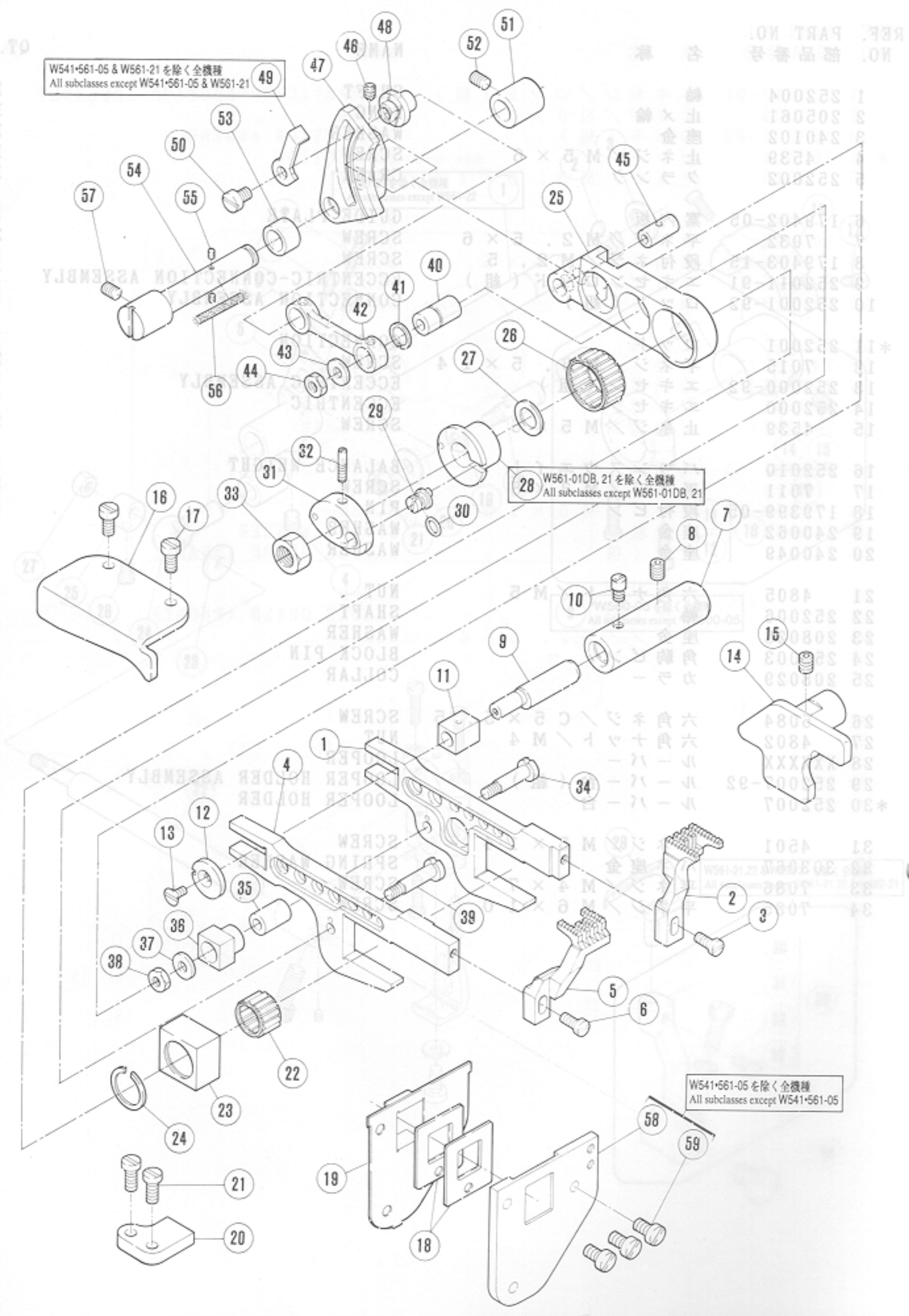
W541•542 Series	
下記を除く全機種 subclasses except the following	4
W541•542/MD	5

REF. PART NO.
部品番号

W541-561-05 & W561-21 を除く全機種
All subclasses except W541-561-05 & W561-21

W561-01DB, 21 を除く全機種
All subclasses except W561-01DB, 21

W541-561-05 を除く全機種
All subclasses except W541-561-05



Please confirm the correct part by the gauge parts list on page 103-112.
XXXXX is one of the gauge parts.

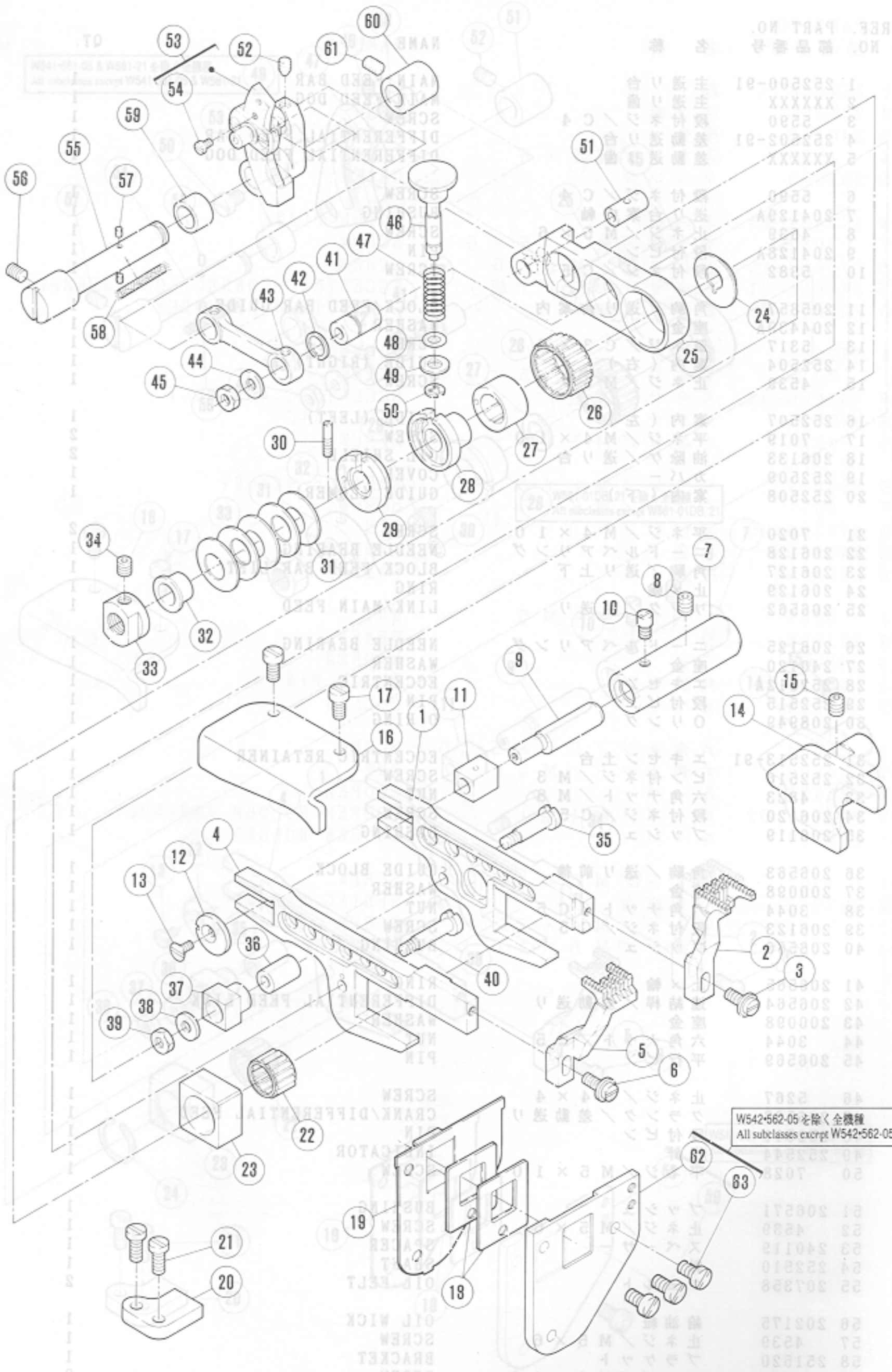
REF. NO.	PART NO.	部品番号	名称	NAME	QT.
1	252500-91		主送り台	MAIN FEED BAR	1
2	XXXXXX		主送り歯	MAIN FEED DOG	1
3	5590		段付ネジ / C 4	SCREW	1
4	252502-91		差動送り台	DIFFERENTIAL FEED BAR	1
5	XXXXXX		差動送り歯	DIFFERENTIAL FEED DOG	1
6	5590		段付ネジ / C 4	SCREW	1
7	204129A		送り案内軸	BUSHING	1
8	4539		止ネジ / M 5 × 6	SCREW	1
9	204128A		段付ピン	PIN	1
10	5382		段付ネジ / C 5	SCREW	1
11	205857		角駒 / 送り案内	BLOCK/FEED BAR GUIDE	1
12	204439A		座金	WASHER	1
13	5317		皿ネジ / C 3 × 6	SCREW	1
14	252504		案内 (右)	GUIDE (RIGHT)	1
15	4539		止ネジ / M 5 × 6	SCREW	1
16	252507		案内 (左)	GUIDE (LEFT)	1
17	7019		平ネジ / M 4 × 1.0	SCREW	2
18	206133		油除ケ / 送り台	OIL SHIELD	2
19	252509		力カバー	COVER	1
20	252508		案内 (下)	GUIDE (LOWER)	1
21	7020		平ネジ / M 4 × 1.0	SCREW	2
22	206128		ニードルベアリング	NEEDLE BEARING	1
23	206127		角駒 / 送り上下	BLOCK/FEED BAR LIFT	1
24	206129		止メ輪	RING	1
25	206562		リンク / 主送り	LINK/MAIN FEED	1
26	206125		ニードルベアリング	NEEDLE BEARING	1
27	240120		座金	WASHER	1
28	252512A		エキセン	ECCENTRIC	1
29	252515		段付ピン	PIN	1
30	208949		オリ	O RING	1
31	252513-91		エキセン土台	ECCENTRIC RETAINER	1
32	252516		ピン付ネジ / M 3	SCREW	1
33	4823		六角ナット / M 8	NUT	1
34	206120		段付ネジ / C 5	SCREW	1
35	206119		ブッシュ	BUSHING	1
36	206563		角駒 / 送り前後	GUIDE BLOCK	1
37	200098		座金	WASHER	1
38	3044		六角ナット / C 5	NUT	1
39	206123		段付ネジ / C 5	SCREW	1
40	206566		ブッシュ	BUSHING	1
41	206565		止メ輪	RING	1
42	206564		連結棒 / 差動送り	DIFFERENTIAL FEED LINK	1
43	200098		座金	WASHER	1
44	3044		六角ナット / C 5	NUT	1
45	206569		平行ピン	PIN	1
46	5267		止ネジ / C 4 × 4	SCREW	1
47	206568		クラック / 差動送り	CRANK/DIFFERENTIAL FEED	1
48	252511		段付ピン	PIN	1
49	252544		指針	INDICATOR	1
50	7028		平ネジ / M 5 × 1.0	SCREW	1
51	206571		ブッシュ	BUSHING	1
52	4539		止ネジ / M 5 × 6	SCREW	1
53	240119		スペーサー	SPACER	1
54	252510		軸	SHAFT	1
55	207358		フェルト	OIL FELT	2
56	202175		給油紐	OIL WICK	1
57	4539		止ネジ / M 5 × 6	SCREW	1
58	251520		ブラケット	BRACKET	1
59	7019		平ネジ / M 4 × 1.0	SCREW	3

XXXXXXはゲージパーツです。

102-115頁のゲージパーツ表で確認してください。

XXXXXX is one of the gauge parts.

Please confirm the correct part by the gauge parts lists on pages 102-115.



W542-562-05を除く全機種
All subclasses except W542-562-05

Please confirm the correct part by the gauge parts list on pages 102-112.
XXXXX is one of the gauge parts.

XXXXXはマシンの各部品表にてご確認ください。
XXXXXはマシンの各部品表にてご確認ください。

送り機構(2)

FEED MECHANISM (2)

REF. NO.	PART NO.	部品番号	名称	NAME	QT.
	1	252500-91	主送り台	MAIN FEED BAR	1
	2	XXXXXX	主送り歯	MAIN FEED DOG	1
	3	5590	段付ネジ / C 4	SCREW	1
	4	252502-91	差動送り台	DIFFERENTIAL FEED BAR	1
	5	XXXXXX	差動送り歯	DIFFERENTIAL FEED DOG	1
	6	5590	段付ネジ / C 4	SCREW	1
	7	204129A	送り台案内軸	BUSHING	1
	8	4539	止ネジ / M 5 × 6	SCREW	1
	9	204128A	段付ピン	PIN	1
	10	5382	段付ネジ / C 5	SCREW	1
	11	205857	角駒 / 送り台案内	BLOCK/FEED BAR GUIDE	1
	12	204439A	座金	WASHER	1
	13	5317	皿ネジ / C 3 × 6	SCREW	1
	14	252504	案内 (右)	GUIDE (RIGHT)	1
	15	4539	止ネジ / M 5 × 6	SCREW	1
	16	252507	案内 (左)	GUIDE (LEFT)	1
	17	7019	平ネジ / M 4 × 10	SCREW	2
	18	206133	油除ケ / 送り台	OIL SHIELD	2
	19	252509	カバー	COVER	1
	20	252508	案内 (下)	GUIDE (LOWER)	1
	21	7020	平ネジ / M 4 × 10	SCREW	2
	22	206128-2	ニードルベアリング	NEEDLE BEARING	1
	23	252519	角駒	BLOCK	1
	24	252520	座金	WASHER	1
	25	206562	リンク / 主送り	LINK/MAIN FEED	1
	26	206125-2	ニードルベアリング	NEEDLE BEARING	1
	27	252521	エキセン	ECCENTRIC	1
	28	252522	調節器	REGULATOR	1
	29	252523-91	エキセン土台	ECCENTRIC RETAINER	1
	30	252516	ピン付ネジ / M 3	SCREW	1
	31	240125	皿バネ	SPRING	5
	32	252525	スペーサー	SPACER	1
	33	252543	ナット	NUT	1
	34	4514	止ネジ / M 5 × 5	SCREW	1
	35	206120	段付ネジ / C 5	SCREW	1
	36	206119	ブッシュ	BUSHING	1
	37	206563	角駒 / 送り前後	GUIDE BLOCK	1
	38	200098	座金	WASHER	1
	39	3044	六角ナット / C 5	NUT	1
	40	206123	段付ネジ / C 5	SCREW	1
	41	206566	ブッシュ	BUSHING	1
	42	206565	止メ輪	RING	1
	43	206564	連結桿 / 差動送り	DIFFERENTIAL FEED LINK	1
	44	200098	座金	WASHER	1
	45	3044	六角ナット / C 5	NUT	1
	46	252526	段付ピン	PIN	1
	47	240122	圧縮バネ	SPRING	1
	48	206366	Oリング	O RING	1
	49	204585	座金	WASHER	1
	50	200555	止メ輪	RING	1
	51	206569	平行ピン	PIN	1
	52	4546	止ネジ / M 4 × 5	SCREW	1
	53	252527-91	クランク	CRANK	1
	54	7031	平ネジ / M 2.5 × 4	SCREW	1
	55	252510	軸	SHAFT	1
	56	4539	止ネジ / M 5 × 6	SCREW	1
	57	207358	フェルト	OIL FELT	2
	58	202175	給油紐	OIL WICK	1
	59	240119	スペーサー	SPACER	1
	60	206571	ブッシュ	BUSHING	1
	61	4539	止ネジ / M 5 × 6	SCREW	1
	62	251520	ブラケット	BRACKET	1
	63	7019	平ネジ / M 4 × 10	SCREW	3

XXXXXXはゲージパーツです。

102~115頁のゲージパーツ表で確認してください。

* =販売不可 (Not for sale.)

XXXXXX is one of the gauge parts.

Please confirm the correct part by the gauge parts lists on pages 102~115.

送り機構(3)

PRES FEED MECHANISM (3)

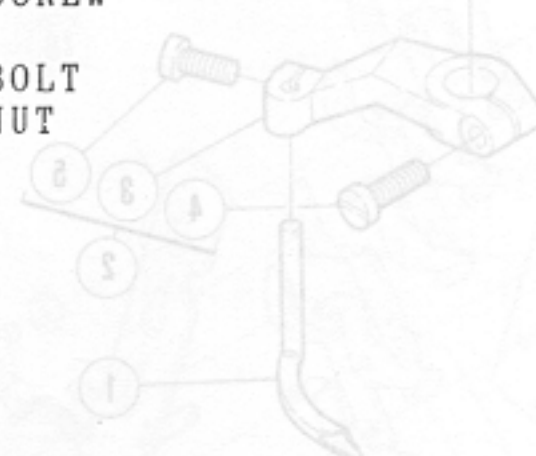
REF. NO.	PART NO.	名称	NAME	QT.
1	252531-91	角駒	BLOCK	1
2	252532	角駒案内	GUIDE/BLOCK	1
3	252533-92	レバー	LEVER	1
* 4	252533	レバー本体	LEVER BAR CLAMP	1
5	4531	六角穴ボルト / M 5 × 1 2	BOLT	1
6	5316	段付ネジ / C 5	SCREW	1
7	240271	カラー	COLLAR	1
8	1998-2	平ネジ / C 4 × 6	SCREW	2
9	7066	段付ネジ / M 4 2 0	SCREW	1
10	252536	ネジリバネ	SPRING	1
11	240129	Oリング	O RING	1
12	252539A91	ブラケット	BRACKET	1
13	7019	平ネジ / M 4 × 1 0	SCREW	5
14	240162	栓	PLUG	1
15	252664-91	レバー (組)	LEVER ASSEMBLY	1
16	252538	目盛板	SCALE PLATE	1
17	7021	平ネジ / M 4 × 1 2	SCREW	2
18	240124	スペーサー	SPACER	2
19	210171	ストッパー	STOPPER	2
20	2905	平ネジ / C 5 × 4 . 5	SCREW	2
21	201185	座金	WASHER	2
22	210167	ツマミ	THUMB NUT	1
23	15486	段付ネジ / C 5	SCREW	1
24	211301-1	皿パネ	SPRING WASHER	1
25	206149	クランク (上)	BELL CRANK (UPPER)	1
26	5187	平ネジ / C 5 × 1 4	SCREW	1
27	253011	リンク	LINK	1
28	5184	段付ネジ / C 5	SCREW	2
29	206148	クランク (下)	BELL CRANK (LOWER)	1
30	2022-4	六角ネジ / M 5 × 1 0	SCREW	1
31	253013	軸	SHAFT	1
32	253014	レバー	LEVER	1
33	7034	平ネジ / M 5 × 1 0	SCREW	1
34	253015	ブラケット	BRACKET	1
35	7019	平ネジ / M 4 × 1 0	SCREW	2
36	4809	六角ボルト / M 5 × 2 0	BOLT	1
37	4809	六角ナット / M 5	NUT	1

XXXXXXXXはゲージパーツです。
102-115頁のゲージパーツ表で確認してください。

XXXXXXXX is one of the gauge parts.
Please confirm the correct part by the gauge parts table 102-115.

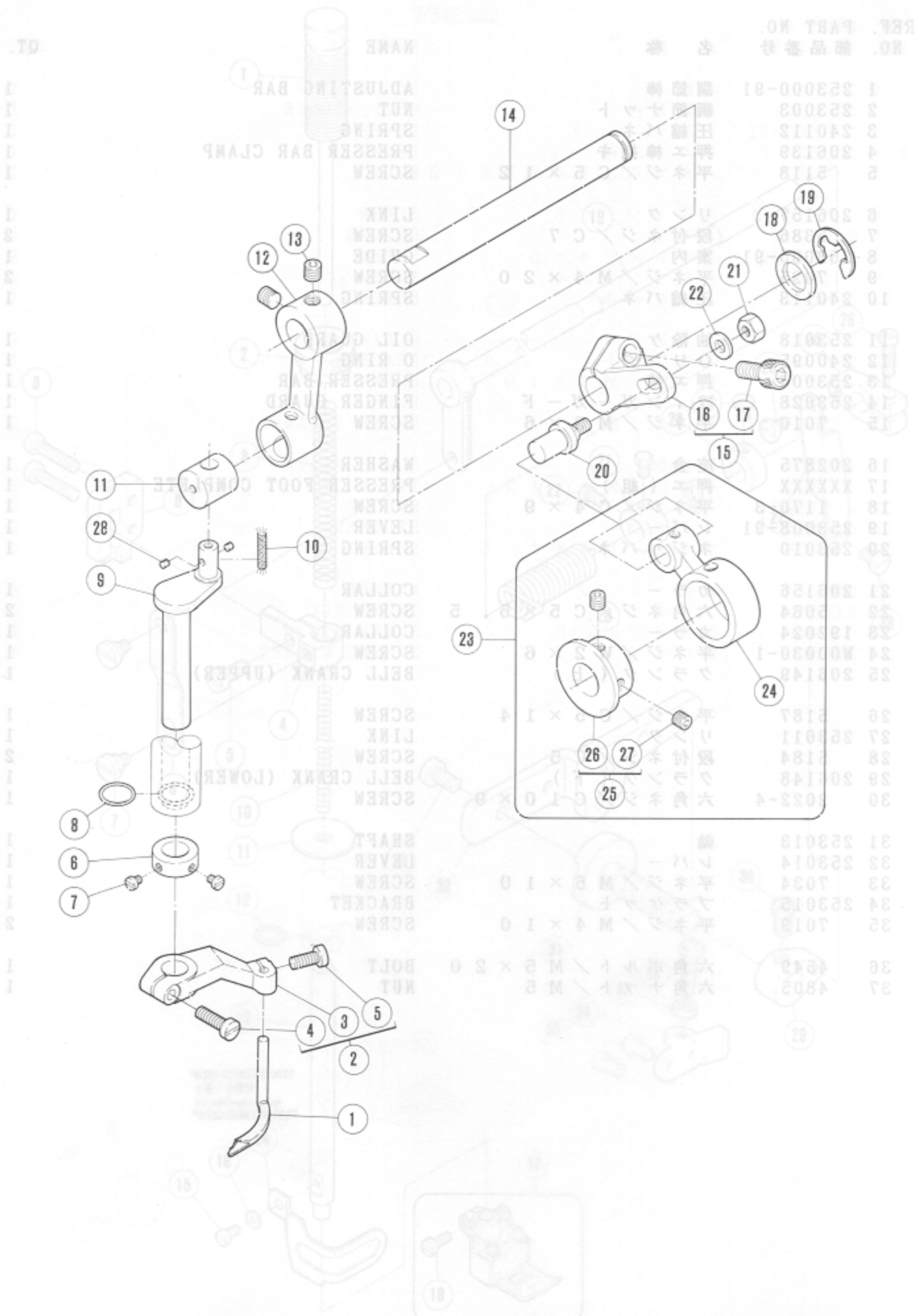
*=販売不可 (Not for sale.)

REF. NO.	PART NO. 部品番号	名称	NAME	QT.
1	253000-91	調節棒	ADJUSTING BAR	1
2	253003	調節ナット	NUT ASSEMBLY	1
3	240112	圧縮バネ	SPRING	1
4	206139	押エ棒抱キ	PRESSER BAR CLAMP	1
5	5118	平ネジ / C 5 × 1 2	SCREW	1
6	206157	リンク	LINK	1
7	5386	段付ネジ / C 7	SCREW	2
8	253005-91	案内	GUIDE	1
9	7025	平ネジ / M 4 × 2 0	SCREW	2
10	240113	圧縮バネ	SPRING	1
11	253018	油除ケ	BOIL GUARD	1
12	240095	Oリング	O RING	1
13	253004	押エ棒	PRESSER BAR	2
14	253028	フィンガーガード	FINGER GUARD	1
15	7010	平ネジ / M 3 × 6	SCREW	1
16	202875	座金	WASHER	1
17	XXXXXX	押エ (組)	PRESSER FOOT COMPLETE	1
18	1170-3	平ネジ / C 4 × 9	SCREW	1
19	253008-91	レバー	LEVER	1
20	253010	ネジリバネ	SPRING	1
21	206156	カラー	COLLAR	1
22	5084	六角ネジ / C 5 × 5 . 5	SCREW	2
23	192024	カラー	COLLAR CONNECTION ASSEMBLY	1
24	W00030-1	平ネジ / W 2 × 6	SCREW	1
25	206149	クランク (上)	BELL CRANK (UPPER)	1
26	5187	平ネジ / C 5 × 1 4	SCREW	1
27	253011	リンク	LINK	2
28	5184	段付ネジ / C 5	SCREW	2
29	206148	クランク (下)	BELL CRANK (LOWER)	1
30	2022-4	六角ネジ / C 1 0 × 9	SCREW	1
31	253013	軸	SHAFT	1
32	253014	レバー	LEVER	1
33	7034	平ネジ / M 5 × 1 0	SCREW	1
34	253015	ブラケット	BRACKET	1
35	7019	平ネジ / M 4 × 1 0	SCREW	2
36	4549	六角ボルト / M 5 × 2 0	BOLT	1
37	4805	六角ナット / M 5	NUT	1



XXXXXXはゲージパーツです。
102-115頁のゲージパーツ表で確認してください。

XXXXXX is one of the gauge parts.
Please confirm the correct part by the gauge parts lists on pages 102-115.



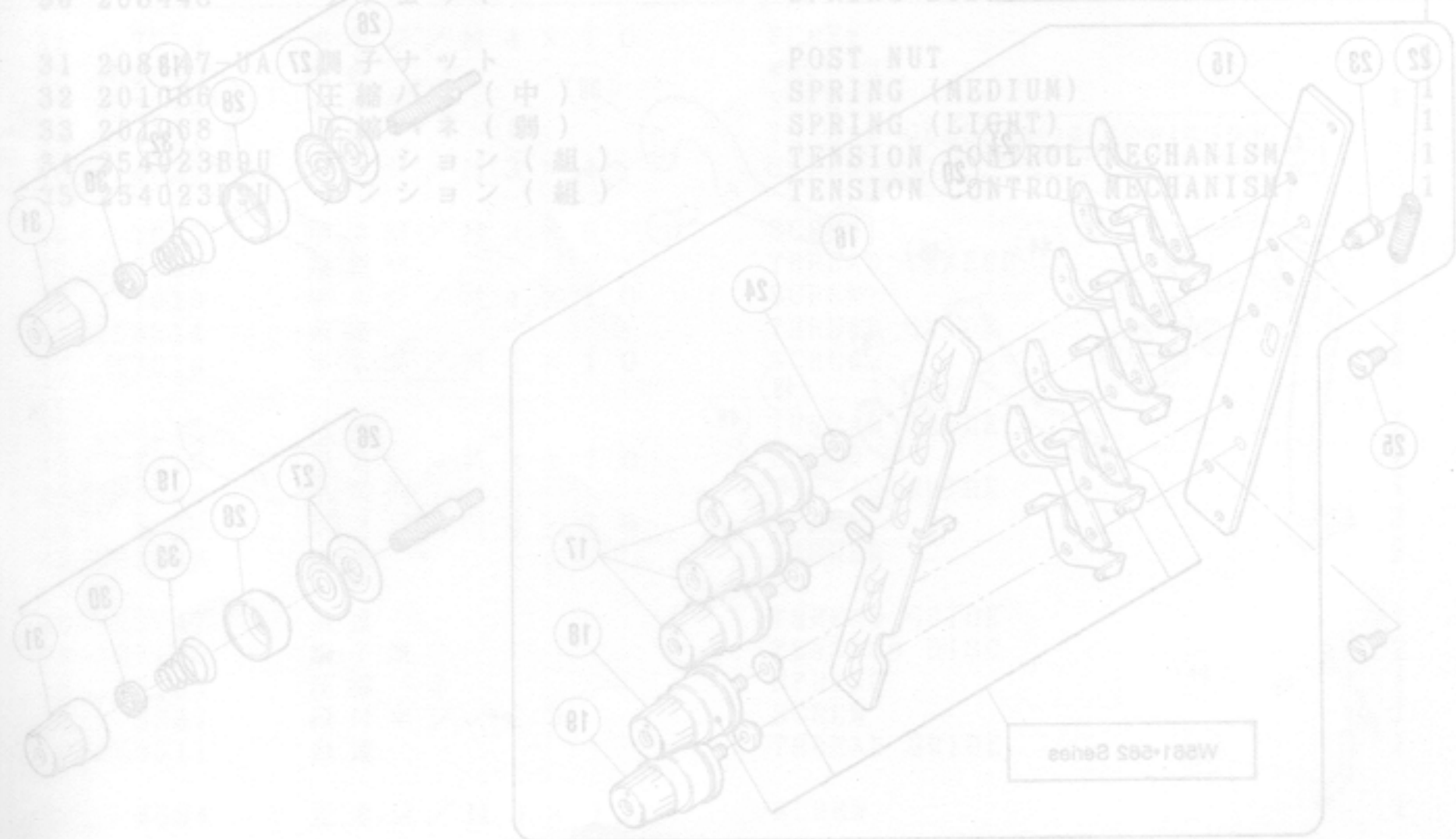
Please confirm the correct part by the gauge parting on pages 102-112. XXXXX is one of the gauge parts.

102-112頁のゲージ部分で正しい部品を確認してください。XXXXXはゲージ部品です。

飾り振り機構

SPREADER MECHANISM

REF. NO.	PART NO. 部品番号	名称	NAME	QT.
1	257565	スプレッダー	SPREADER	1
2	254516-92	レバー (組)	LEVER ASSEMBLY	1
*	3 254516	レバー本体	LEVER	1
4	7022	平ネジ / M 4 × 1 4	SCREW	1
5	7020	平ネジ / M 4 × 1 0	SCREW	1
6	212039	カラー	COLLAR	1
7	1227	平ネジ / C 3 × 3 . 7	SCREW	2
8	233020	オリング	O RING	1
9	254508	クランク軸	CRANKSHAFT	1
10	202176	給油紐	OIL WICK	1
11	254507	駒	BLOCK	1
12	254506	クランク	CRANK	1
13	4547	止ネジ / M 6 × 5	SCREW	2
14	254519	軸	SHAFT	1
15	254503-92	クランク (組)	CRANK ASSEMBLY	1
*16	254503	クランク	CRANK	1
17	4534	平ネジ / M 6 × 1 4	SCREW	1
18	206180	座金	WASHER	1
19	306671	止メ輪	RING	1
20	254504	ピン付ネジ / M 5	SCREW	1
21	4805	六角ナット / M 5	NUT	1
22	240062	座金	WASHER	1
*23	254500A91	エキセンロッド (組)	ECCENTRIC CONNECTION ASSEMBLY	1
24	254511	ロッド	CONNECTION	1
*25	254501A92	エキセン (組)	ECCENTRIC ASSEMBLY	1
*26	254501A-2A	エキセン	ECCENTRIC	1
27	4514	止ネジ / M 5 × 5	SCREW	2
28	207925	フェルト	FELT	2
29	201037	圧縮バネ (強)	SPRING (HEAVY)	1
30	208448	ラチェット	SPRING BUSH	1



* = 販売不可 (Not for sale.)

アーム、ベッド機構

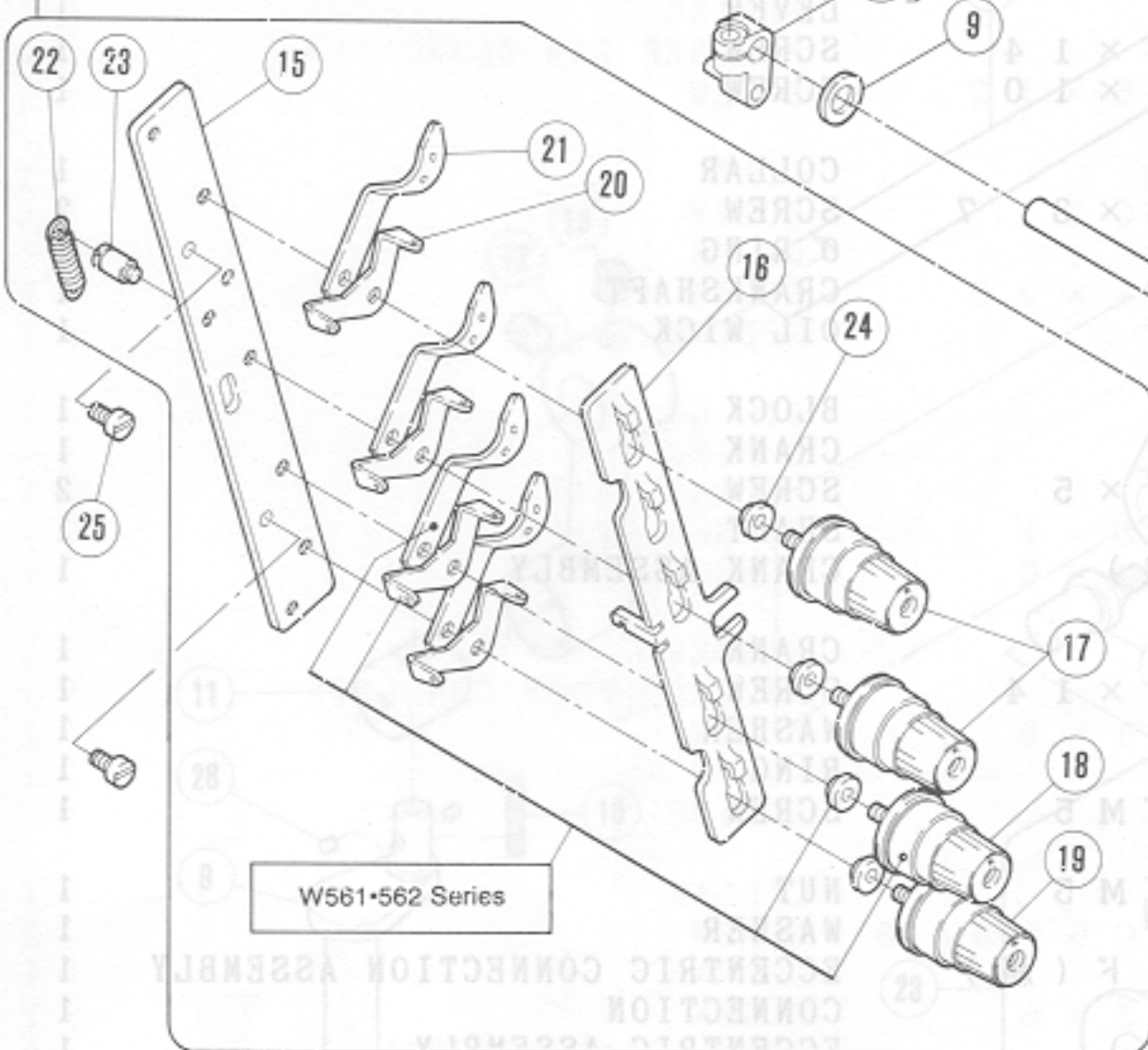
MACHINE BED FRAME

REF. NO.	PART NO. 部品番号	名称	NAME	QT.
* 1	250215BSD	アームベッド (上)	MACHINE FRAME	1
* 2	250215ASD	アームベッド	MACHINE FRAME	1
* 3	250215-SD	アームベッド	MACHINE FRAME	1
* 4	250216BSD	アームベッド	MACHINE FRAME	1
* 5	250216-SD	アームベッド	MACHINE FRAME	1
6	210003 UD	栓カバー	PLUG BAR COVER	1
7	256015	ブッシュ M4×10	BUSHING	1
8	255020 UD	パイプカバー (左)	PIPE COVER (LEFT)	1
9	250069	上蓋 (左)	TOP COVER PLATE (LEFT)	1
10	250049	ガスケット	GASKET	1
11	24 7084 BS	六角ネジ / M4×8	SCREW	4
12	250003	上蓋 (右)	TOP COVER (RIGHT)	1
13	250004	ガスケット	GASKET	1
14	7084	六角ネジ / M4×8	SCREW	4
*15	230047A	機番板	SERIAL NUMBER PLATE	1
16	210679	止ピン	PIN	2
17	7018	平ネジ / M4×6	SCREW	1
18	303448	座金	WASHER	1
19	240228	栓	PLUG	1
*20	202526	記銘板 M3×4	NAME PLATE	1
21	240110	栓	PLUG	1
22	240052 UD	栓	PLUG TAKEUP COVER	4
23	205088	栓	PLUG	1
24	208173	栓	PLUG	3
25	240001 UD BS	止×輪	RING COVER	2
26	255002	フィルター M5×60	FILTER	2
27	210586 UD	オイルシール	OIL SEAL UPPER THREAD GUIDE	1
28	210586	オイルシール M4×10	OIL SEAL	1
29	250117	足ピン M4×5	BED PIN	4
30	206590	オイルゲージ	OIL SIGHT GAUGE	1
*31	250233	形式板	TYPE PLATE	1
32	210679	止ピン M4×6	PIN	2
33	240127	合マーク M4×16	MARK	1
34	250020	カバー M4×18	COVER	1
35	20 7017	平ネジ / M4×5	SCREW	2
36	4541	止ネジ / M6×8	SCREW	1
*37	250238	記銘板	NAME PLATE	1

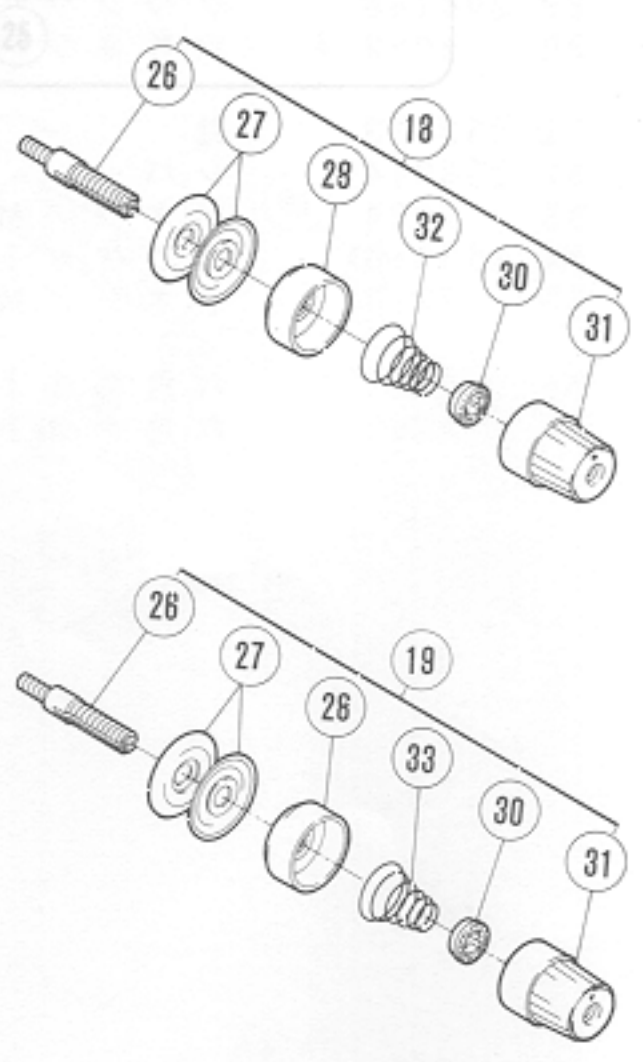
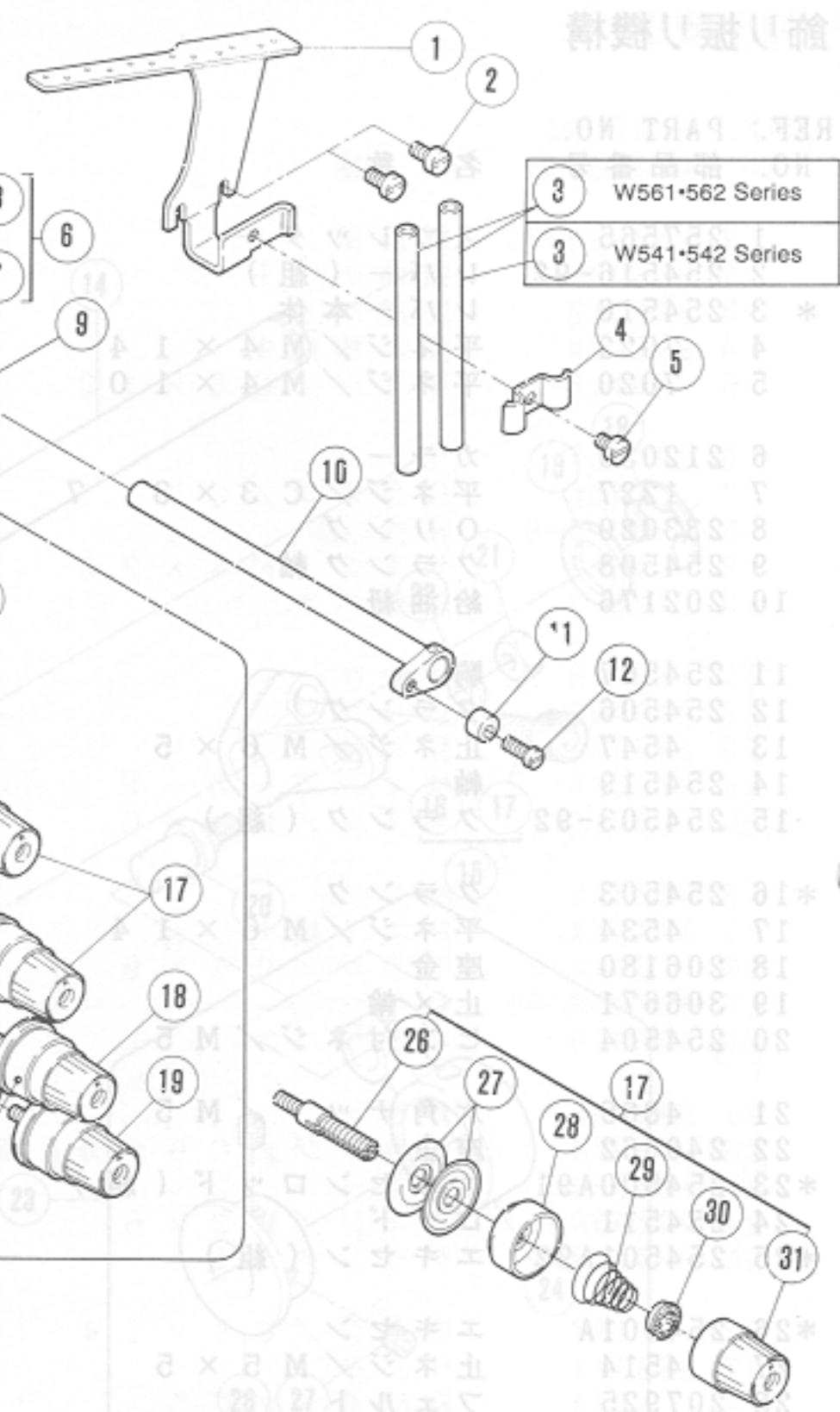
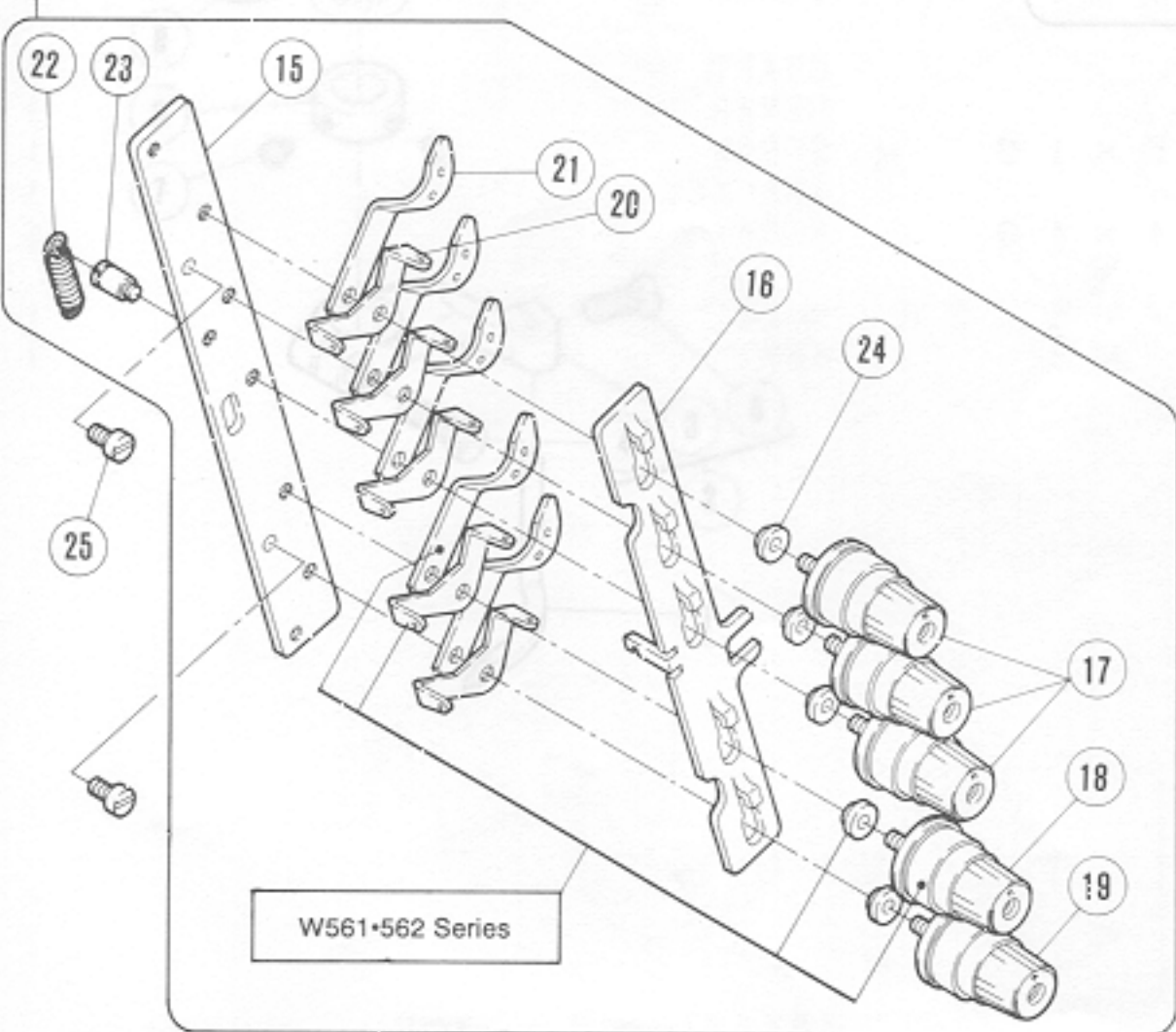
W561・562-01D(4本針)は48,49頁を参照してください。
See pages 48 and 49 for W561・562-01D(4 - Needle).

W541・542-84を除く機種
subclasses except W541・542-84

- | | | |
|----|-----------|---|
| ③④ | W541・W542 | 2本針 上飾り:無し
2-Needle. Without top cover thread. |
| ⑬ | W561・W562 | 2本針 上飾り:有り
2-Needle. With top cover thread. |



- | | | |
|----|-----------|---|
| ③⑤ | W541・W542 | 3本針 上飾り:無し
3-Needle. Without top cover thread. |
| ⑭ | W561・W562 | 3本針 上飾り:有り
3-Needle. With top cover thread. |



糸調子機構

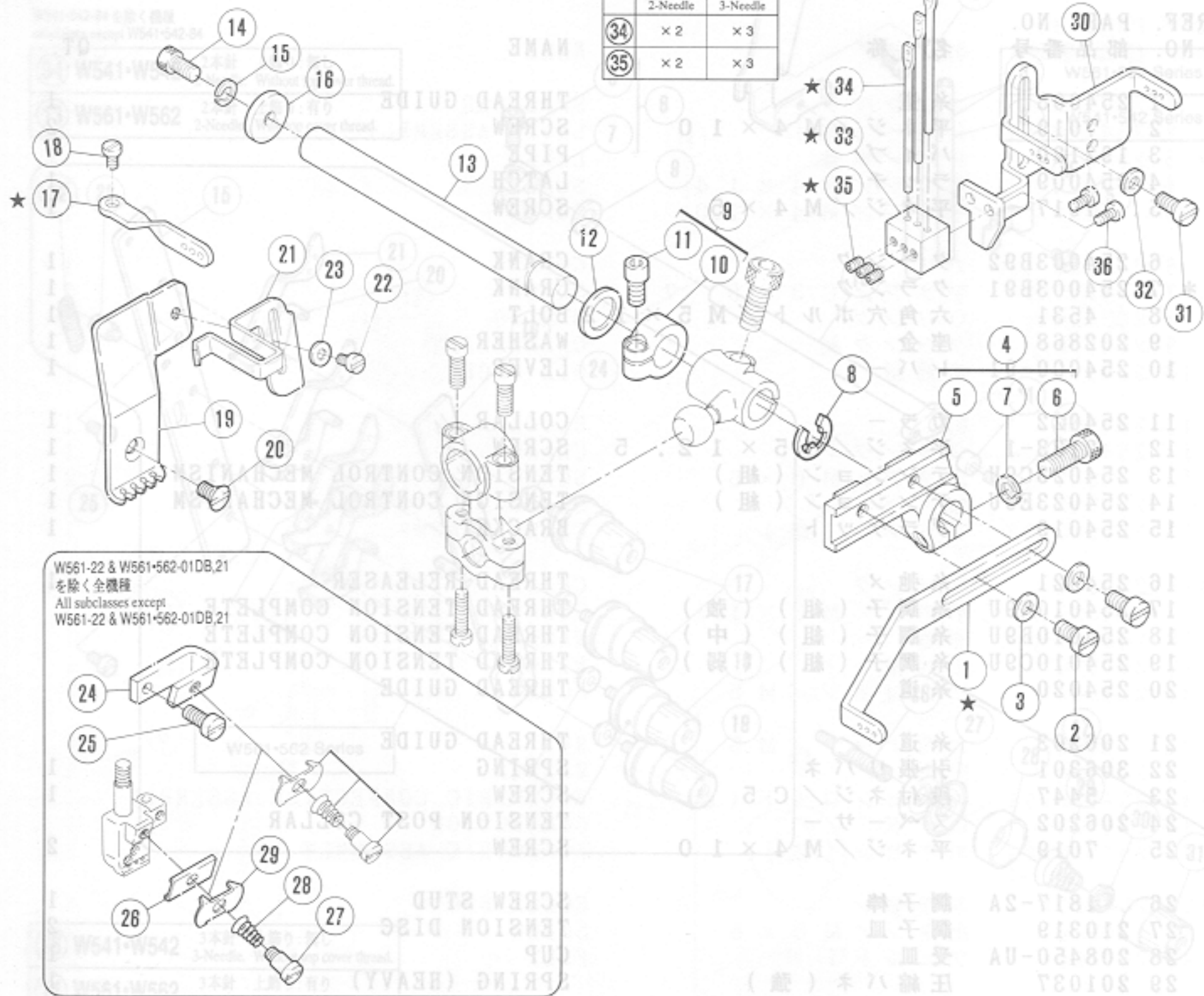
NEEDLE THREAD TENSION MECHANISM
 010-532W-132W
 010-532W-132W

NEEDLE THREAD TENSION MECHANISM

REF. NO.	PART NO. 部品番号	名称	NAME	QT.
1	254008	糸道	THREAD GUIDE	1
2	7019	平ネジ / M 4 × 1 0	SCREW	2
3	192120	パイプ	PIPE	2
4	254009	ラッチ	LATCH	1
5	7017	平ネジ / M 4 × 5	SCREW	1
6	254003B92	クランク	CRANK	1
* 7	254003B91	クランク	CRANK	1
8	204531	六角穴ボルト / M 5 × 1 2	BOLT	1
9	202868	座金	WASHER	1
* 10	254000-91	レバー	LEVER	1
11	254022	カラー	COLLAR	1
12	2133-1	平ネジ / C 5 × 1 2 . 5	SCREW	1
13	254023C9U	テンション (組)	TENSION CONTROL MECHANISM	1
14	254023E9U	テンション (組)	TENSION CONTROL MECHANISM	1
15	254019	ブラケット	BRACKET	1
16	254021	糸弛メ	THREAD RELEASER	1
17	254010A9U	糸調子 (組) (強)	THREAD TENSION COMPLETE	1
18	254010B9U	糸調子 (組) (中)	THREAD TENSION COMPLETE	1
19	254010C9U	糸調子 (組) (弱)	THREAD TENSION COMPLETE	1
20	254020	糸道	THREAD GUIDE	1
21	206203	糸道	THREAD GUIDE	1
22	306301	引張りバネ	SPRING	1
23	5447	段付ネジ / C 5	SCREW	1
24	206202	スペーサー	TENSION POST COLLAR	1
25	7019	平ネジ / M 4 × 1 0	SCREW	2
26	1817-2A	調子棒	SCREW STUD	1
27	210319	調子皿	TENSION DISC	2
28	208450-UA	受皿	CUP	1
29	201037	圧縮バネ (強)	SPRING (HEAVY)	1
30	208448	ラチェット	SPRING BUSHING	1
31	208447-UA	調子ナット	POST NUT	1
32	201086	圧縮バネ (中)	SPRING (MEDIUM)	1
33	201068	圧縮バネ (弱)	SPRING (LIGHT)	1
34	254023B9U	テンション (組)	TENSION CONTROL MECHANISM	1
35	254023D9U	テンション (組)	TENSION CONTROL MECHANISM	1
36	7010	平ネジ / M 3 × 6	SCREW	1
37	253506	糸巻リ	THREAD TAKEUP	1
38	7019	平ネジ / M 4 × 1 0	SCREW	1
39	253514	糸道	THREAD GUIDE	1
40	7019	平ネジ / M 4 × 1 0	SCREW	2
41	253513	糸道	THREAD GUIDE	1
42	7019	平ネジ / M 4 × 1 0	SCREW	1
43	253548	糸道内	THREAD GUIDE	1
44	7019	平ネジ / M 4 × 1 0	SCREW	2
45	303448	座金	WASHER	2
46	253547	糸道	THREAD GUIDE	1
47	137108	調子皿	TENSION DISC	2
48	137109	圧縮バネ	SPRING	1
49	5387	段付ネジ / C 3	SCREW	1
50	253511	糸道	THREAD GUIDE	1
51	4554	止ネジ / M 3 × 3	SCREW	1

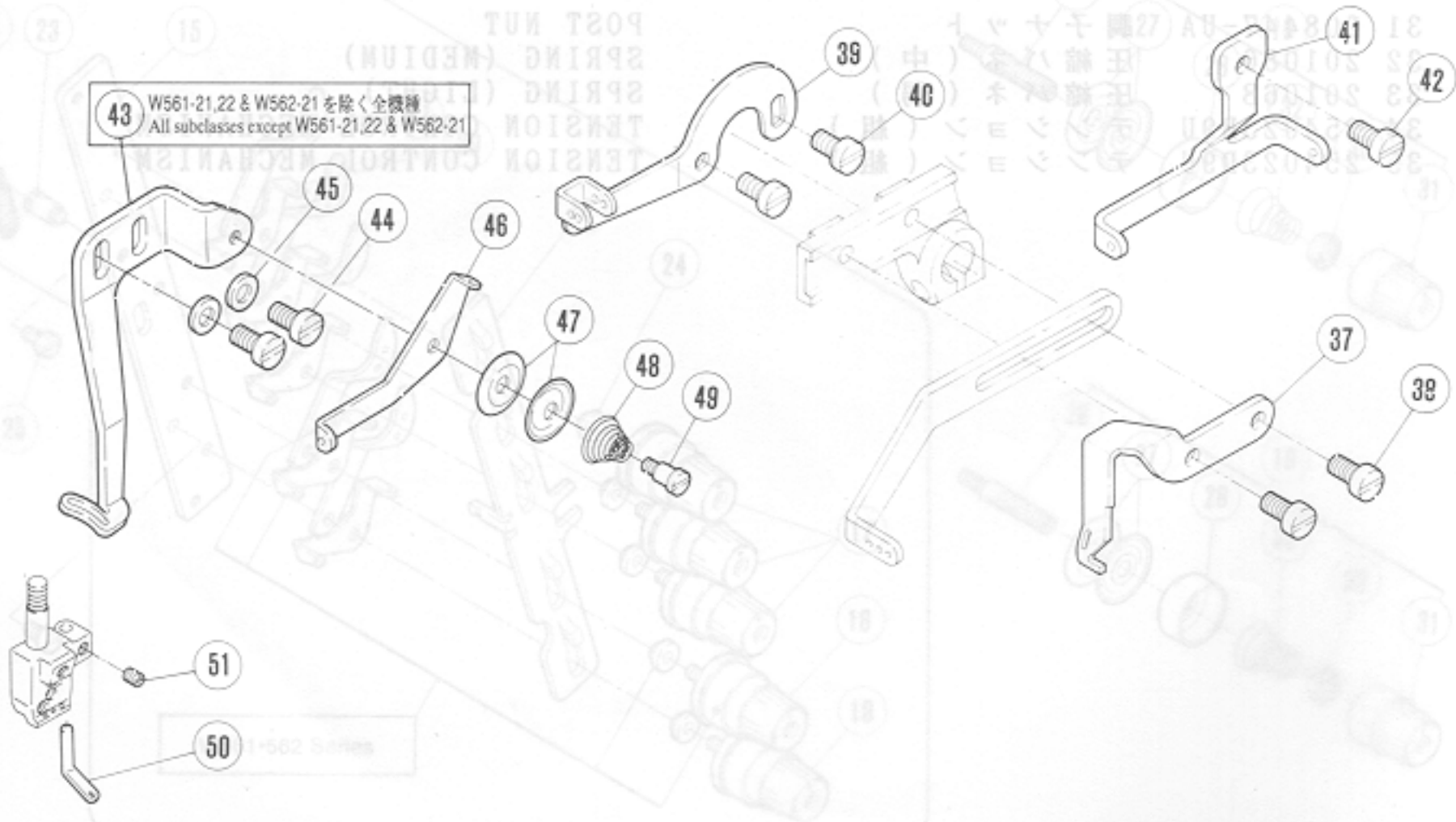
★ = W561-W562-01Dを除く
 Except W561-W562-01D

	2本針 2-Needle	3本針 3-Needle
★ 34	× 2	× 3
★ 35	× 2	× 3



糸の調節

★ 43 W561-21,22 & W562-21を除く全機種
 All subclasses except W561-21,22 & W562-21



針糸・飾り糸機構

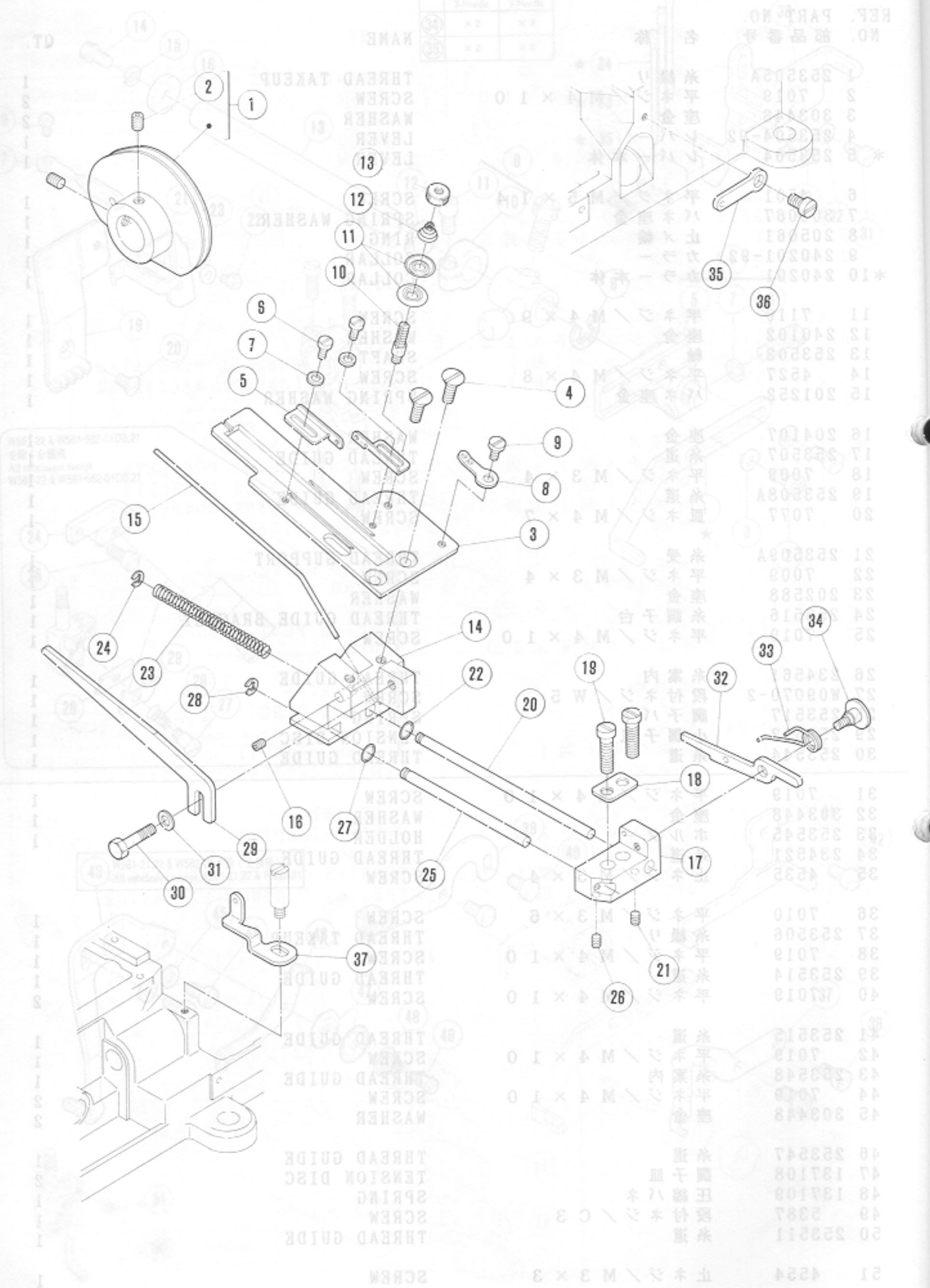
NEEDLE · SPREADER THREAD HANDLING

REF. NO.	PART NO. 部品番号	名称	NAME	QT.
1	253505A ⁹¹	糸繰リ	THREAD TAKEUP	1
2	7019	平ネジ / M 4 × 10	SCREW	2
3	303448	座金	WASHER	2
4	253504-92	レバー	LEVER	1
* 5	253504	レバー 本体	LEVER BODY	1
6	4501	平ネジ / M 5 × 14	SCREW	1
7	303067	バネ座金	SPRING WASHER	1
8	205061	止メ輪	RING	1
9	240201-92	カラー	COLLAR	1
*10	240201	カラー 本体	COLLAR BODY	1
11	7110	平ネジ / M 4 × 9	SCREW	1
12	240102	座金	WASHER	1
13	253503	軸	SHAFT	1
14	4527	平ネジ / M 4 × 8	SCREW	1
15	201252	バネ座金	SPRING WASHER	1
16	204107	座金	WASHER	1
17	253507	糸道	THREAD GUIDE	1
18	7009	平ネジ / M 3 × 4	SCREW	1
19	253508A	糸道	THREAD GUIDE	1
20	7077	皿ネジ / M 4 × 7	SCREW	1
21	253509A	糸受	THREAD SUPPORT	1
22	7009	平ネジ / M 3 × 4	SCREW	1
23	202588	座金	WASHER	1
24	253516	糸調子台	THREAD GUIDE BRACKET	1
25	7019	平ネジ / M 4 × 10	SCREW	1
26	234561	糸案内	THREAD GUIDE	1
27	W09070-2	段付ネジ / W 5	SCREW	1
28	253517	調子バネ	SPRING	1
29	253593	小調子皿	TENSION DISC	1
30	253544	糸道	THREAD GUIDE	1
31	7019	平ネジ / M 4 × 10	SCREW	1
32	303448	座金	WASHER	1
33	253545	ホルダー	HOLDER	1
34	234521	糸道	THREAD GUIDE	1
35	4535	止ネジ / M 3 × 4	SCREW	1
36	7010	平ネジ / M 3 × 6	SCREW	1
37	253506	糸繰リ	THREAD TAKEUP	1
38	7019	平ネジ / M 4 × 10	SCREW	1
39	253514	糸道	THREAD GUIDE	1
40	7019	平ネジ / M 4 × 10	SCREW	2
41	253515	糸道	THREAD GUIDE	1
42	7019	平ネジ / M 4 × 10	SCREW	1
43	253548	糸案内	THREAD GUIDE	1
44	7019	平ネジ / M 4 × 10	SCREW	2
45	303448	座金	WASHER	2
46	253547	糸道	THREAD GUIDE	1
47	137108	調子皿	TENSION DISC	2
48	137109	圧縮バネ	SPRING	1
49	5387	段付ネジ / C 3	SCREW	1
50	253511	糸道	THREAD GUIDE	1
51	4554	止ネジ / M 3 × 3	SCREW	1

* =販売不可 (Not for sale.)

10-100-100W-100W	10-100-100W-100W
2 x	2 x
2 x	2 x

REF. PART NO.
部品番号

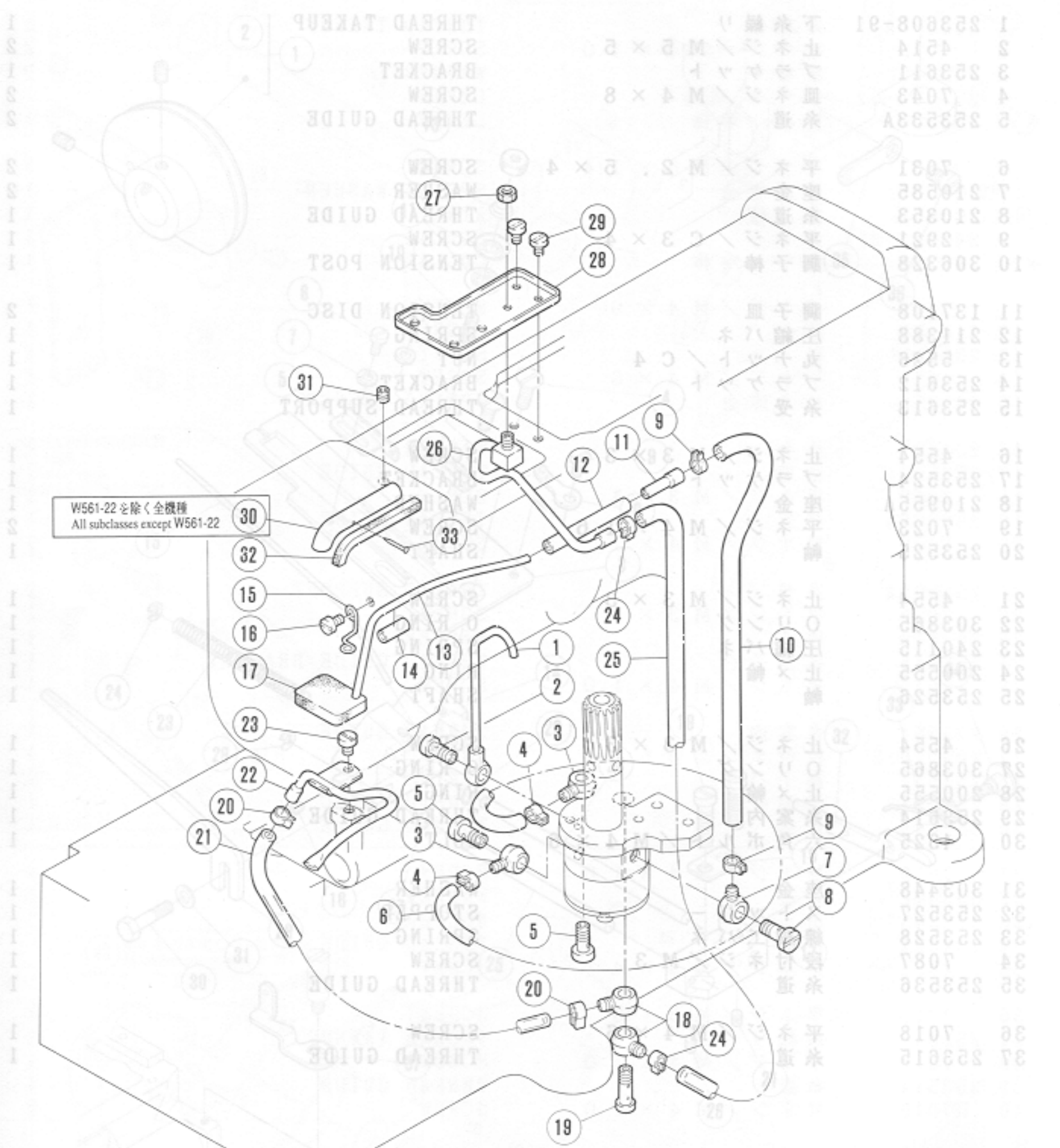


下糸繰り機構

LOOPER THREAD MECHANISM

REF. NO.	PART NO. 部品番号	名称	NAME	QT.
1	253608-91	下糸繰り	THREAD TAKEUP	1
2	4514	止ネジ / M 5 × 5	SCREW	2
3	253611	ブラケット	BRACKET	1
4	7043	皿ネジ / M 4 × 8	SCREW	2
5	253533A	糸道	THREAD GUIDE	2
6	7031	平ネジ / M 2.5 × 4	SCREW	2
7	210585	座金	WASHER	2
8	210353	糸道	THREAD GUIDE	1
9	2921	平ネジ / C 3 × 4	SCREW	1
10	306328	調子棒	TENSION POST	1
11	137108	調子皿	TENSION DISC	2
12	211388	圧縮バネ	SPRING	1
13	5526	丸ナット / C 4	NUT	1
14	253612	ブラケット	BRACKET	1
15	253613	糸受	THREAD SUPPORT	1
16	4554	止ネジ / M 3 × 3	SCREW	1
17	253524	ブラケット	BRACKET	1
18	210955A	座金	WASHER	1
19	7023	平ネジ / M 4 × 1.6	SCREW	2
20	253525	軸	SHAFT	1
21	4554	止ネジ / M 3 × 3	SCREW	1
22	303865	Oリング	O RING	1
23	240115	圧縮バネ	SPRING	1
24	200555	止メ輪	RING	1
25	253526	軸	SHAFT	1
26	4554	止ネジ / M 3 × 3	SCREW	1
27	303865	Oリング	O RING	1
28	200555	止メ輪	RING	1
29	253614	糸案内	THREAD GUIDE	1
30	4325	六角ボルト / M 4 × 6	BOLT	1
31	303448	座金	WASHER	1
32	253527	ストッパー	STOPPER	1
33	253528	線細工バネ	SPRING	1
34	7087	段付ネジ / M 3	SCREW	1
35	253536	糸道	THREAD GUIDE	1
36	7018	平ネジ / M 4 × 6	SCREW	1
37	253615	糸道	THREAD GUIDE	1

REF. PART NO.	NAME	UNIT	REF. PART NO.
---------------	------	------	---------------



給油機構(1)

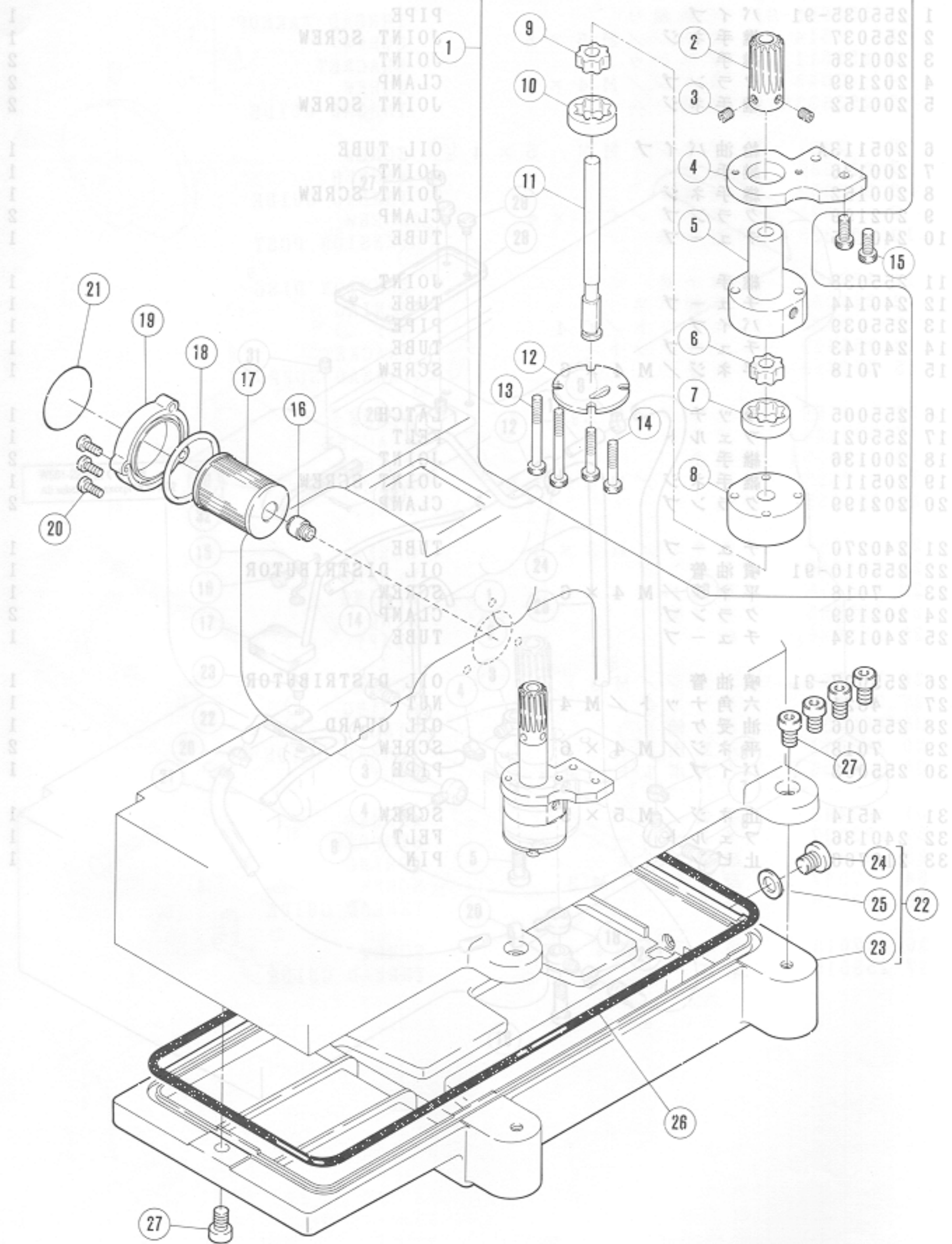
LUBRICATION MECHANISM (1)

REF. NO.	PART NO.	名称	NAME	QT.
1	255035-91	パイプ (組)	PIPE ASSEMBLY	1
2	255037	継手ネジ	JOINT SCREW	1
3	200136	継手	JOINT	2
4	202199	クランプ	CLAMP	2
5	200152	継手ネジ	JOINT SCREW	2
6	205113A	給油パイプ	OIL TUBE	1
7	200136	継手	JOINT	1
8	200152	継手ネジ	JOINT SCREW	1
9	202199	クランプ	CLAMP	2
10	240135	チューブ	TUBE	1
11	255038	継手	JOINT	1
12	240144	チューブ	TUBE	1
13	255039	パイプ	PIPE	1
14	240143	チューブ	TUBE	1
15	7018	平ネジ / M 4 × 6	SCREW	1
16	255005	ラッチ	LATCH	1
17	255021	フェルト	FELT	1
18	200136	継手	JOINT	2
19	205111	継手ネジ	JOINT SCREW	1
20	202199	クランプ	CLAMP	2
21	240270	チューブ	TUBE	1
22	255010-91	噴油管	OIL DISTRIBUTOR	1
23	7018	平ネジ / M 4 × 6	SCREW	1
24	202199	クランプ	CLAMP	2
25	240134	チューブ	TUBE	1
26	255007-91	噴油管	OIL DISTRIBUTOR	1
27	4821	六角ナット / M 4	NUT	1
28	255006	油受ケ	OIL GUARD	1
29	7018	平ネジ / M 4 × 6	SCREW	2
30	255003	パイプ	PIPE	1
31	4514	止ネジ / M 5 × 5	SCREW	1
32	240136	フェルト	FELT	1
33	210766	止ピン	PIN	1

QT

NAME

REF. PART NO. NO. 部品番号

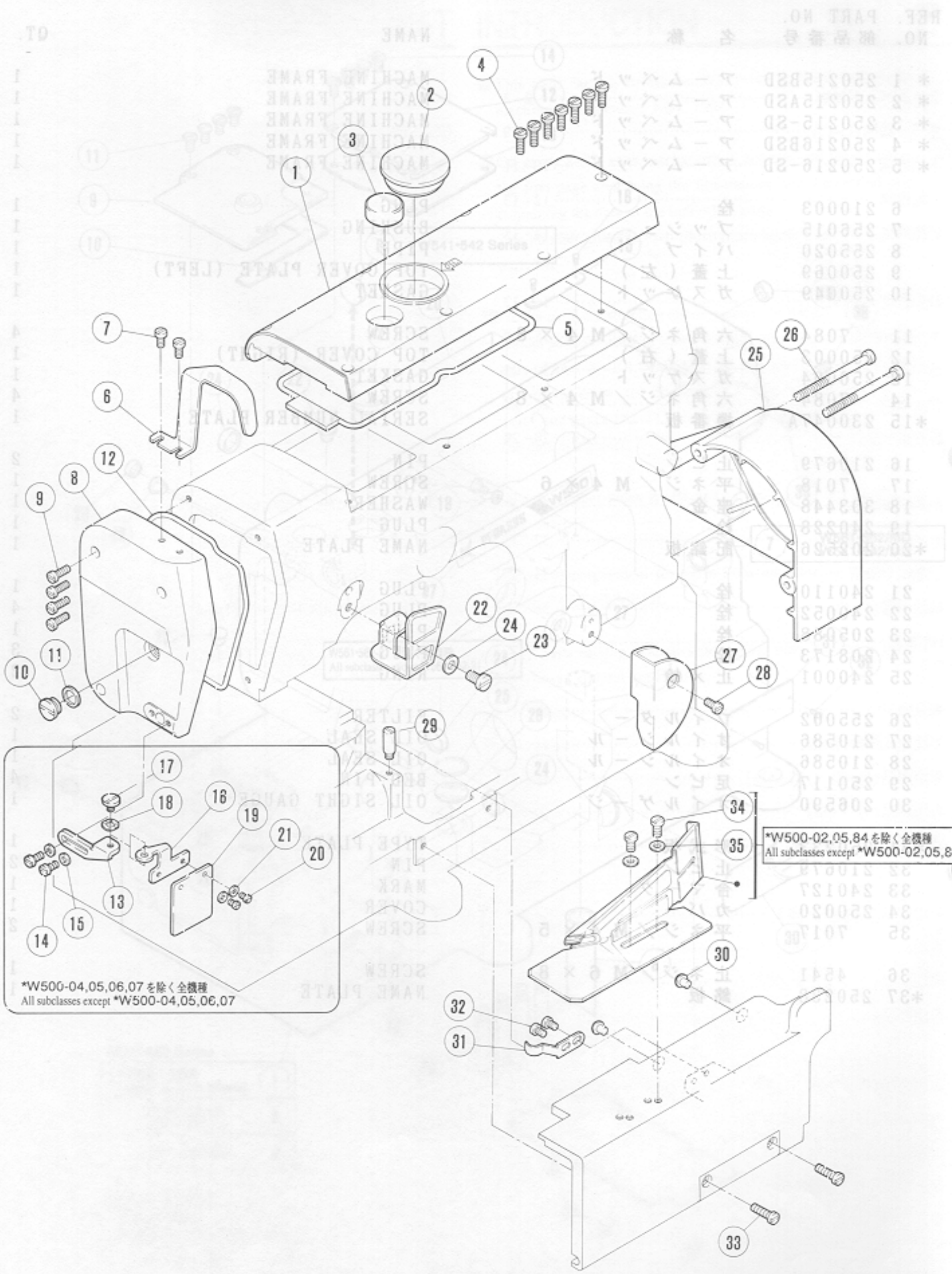


給油機構(2)

LUBRICATION MECHANISM (2)

REF. NO.	PART NO. 部品番号	名称	NAME	QT.
1	255040-91	ポンプ(組)	PUMP ASSEMBLY	1
2	255019	ウォームホイール	WORM WHEEL	1
3	4514	止ネジ/M5×5	SCREW	2
*	255033	ブラケット	BRACKET	1
*	255022	ポンプ本体	PUMP BODY	1
6	255025	ローター	ROTOR	2
7	255027	ローター	ROTOR	1
*	255023	ポンプ本体	PUMP BODY	1
9	255026	ローター	ROTOR	1
10	255027	ローター	ROTOR	1
11	255024	軸	SHAFT	1
12	255028	カバー	COVER	2
13	7105	平ネジ/M4×40	SCREW	2
14	7026	平ネジ/M4×25	SCREW	2
15	4531	六角穴ボルト/M5×12	BOLT	2
16	210200	ブラケット/フィルター	BRACKET/OIL FILTER	1
17	206233	エレメント	OIL FILTER	1
18	206431	Oリング	O RING	1
19	210201-SD	フィルター蓋	OIL FILTER CAP	1
20	7021	平ネジ/M4×12	SCREW	3
21	9A3002	フィルターシール	FILTER SEAL	1
22	255000-92	オイルパン	OIL RESERVOIR	1
*	255000	オイルパン	OIL RESERVOIR	1
24	5138B	平ネジ/H11×12	SCREW	1
25	202287A	座金	WASHER	1
26	255001	Oリング	O RING	1
27	4504	平ネジ/M8×20	SCREW	5



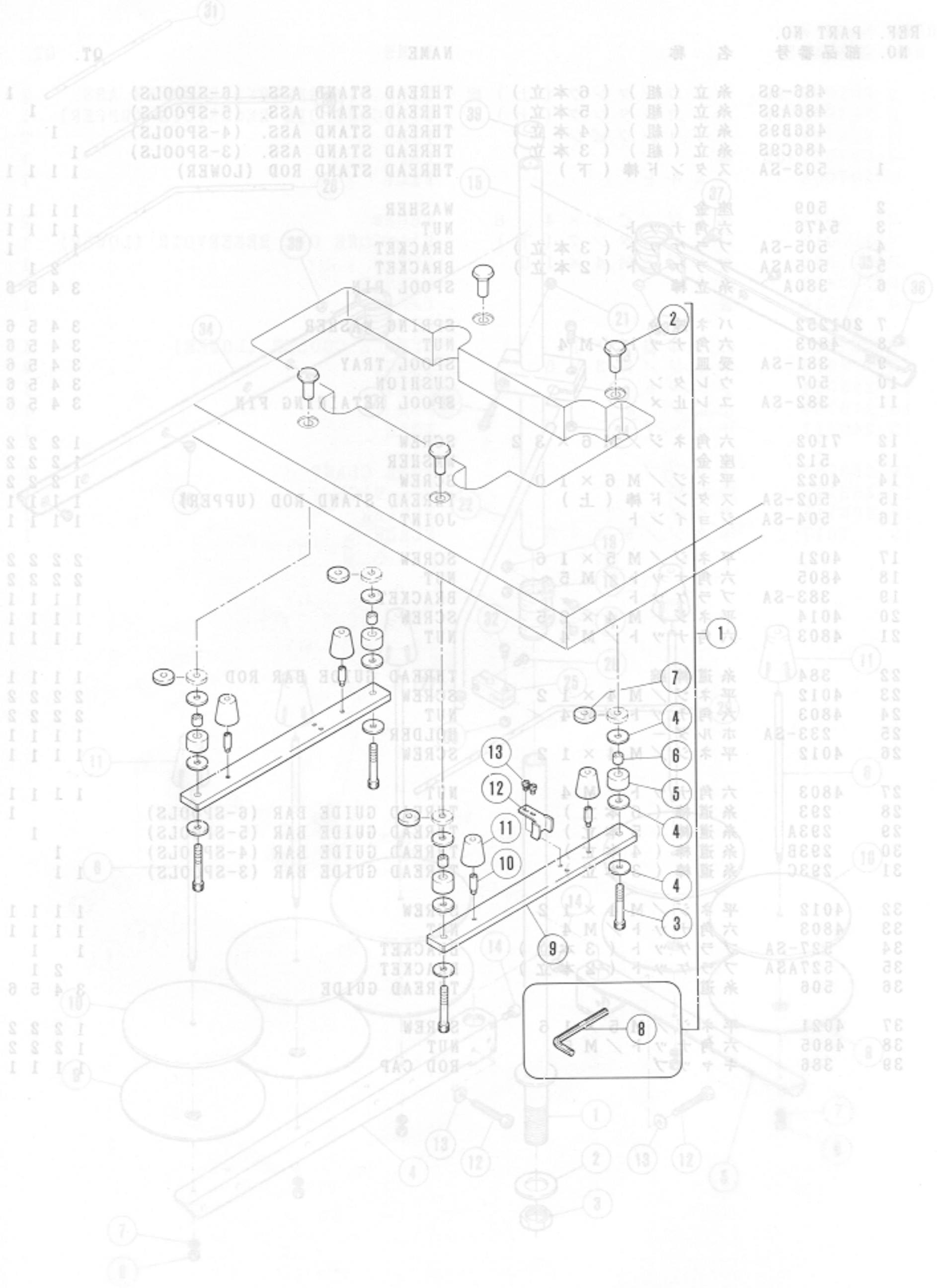


*W500-04,05,06,07を除く全機種
All subclasses except *W500-04,05,06,07

*W500-02,05,84を除く全機種
All subclasses except *W500-02,05,84

REF. NO.	PART NO.	名称	NAME	QT.	QT.
1	207065-9U	シリコンタンク(上)組	SILI. OIL RESERVOIR UPPER ASS.	1	1
2	207066-UD	シリコンタンク(上)	SILICONE OIL RESERVOIR (UPPER)	1	1
3	206781	スプリングピン	PIN	1	2
4	207067-UD	蓋	CAP	1	1
5	207068	フェルト	FELT	1	1
6	5053	平ネジ / C 4 × 4 . 8	SCREW	1	2
7	255015	シリコンタンク(下)	SILICONE OIL RESERVOIR (LOWER)	1	1
8	7020	平ネジ / M 4 × 1 0	SCREW	1	1
9	303448	座金	WASHER	3	4
10	255016	蓋	CAP	1	1
11	255013	針冷却器(下)	NEEDLE COOLER (LOWER)	3	4
12	7010	平ネジ / M 3 × 6	SCREW	3	4
13	255014	フェルト	FELT	3	4
14	210766	止ピン	PIN	3	4
15	240117	チューブ	TUBE	1	1
16	200155	クランプ	TUBE CLAMP	1	2
17	202175	給油紐	OIL WICK	1	1
18	206115	ホルダー	HOLDER	1	1
19	7017	平ネジ / M 4 × 5	SCREW	1	1
17	4021	平ネジ / M 5 × 1 0	SCREW	2	2
18	4805	六角ナット / M 5	NUT	2	2
19	383-SA	ブラケット	BRACKET	1	1
20	4014	平ネジ / M 4 × 2	SCREW	1	1
21	4803	六角ナット / M 4	NUT	1	1
22	384	糸道棒	THREAD GUIDE BAR ROD	1	1
23	4012	平ネジ / M 4 × 2	SCREW	2	2
24	4803	六角ナット / M 4	NUT	2	2
25	233-SA	ホルダー	HOLDER	1	1
26	4012	平ネジ / M 4 × 1 2	SCREW	1	1
27	4803	六角ナット / M 4	NUT	1	1
28	293	糸道棒(6本立)	THREAD GUIDE BAR (6-SPOOLS)	1	1
29	293A	糸道棒(5本立)	THREAD GUIDE BAR (5-SPOOLS)	1	1
30	293B	糸道棒(4本立)	THREAD GUIDE BAR (4-SPOOLS)	1	1
31	293C	糸道棒(3本立)	THREAD GUIDE BAR (3-SPOOLS)	1	1
32	4012	平ネジ / M 4 × 2	SCREW	1	1
33	4803	六角ナット / M 4	NUT	1	1
34	387-SA	ブラケット	BRACKET	1	1
35	527ASA	ブラケット	BRACKET	2	1
36	506	糸道	THREAD GUIDE	3	4
37	4021	平ネジ / M 5 × 1 6	SCREW	1	2
38	4805	六角ナット / M 5	NUT	1	2
39	386	キャップ	ROD CAP	1	1

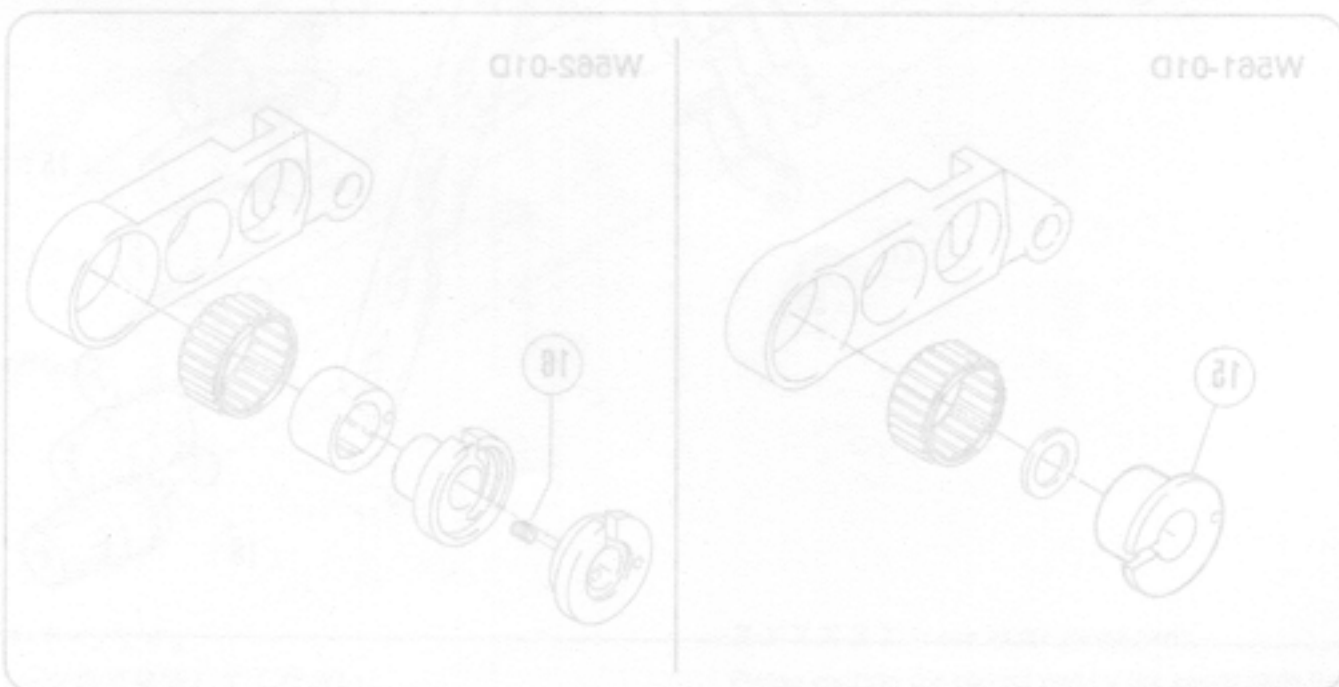
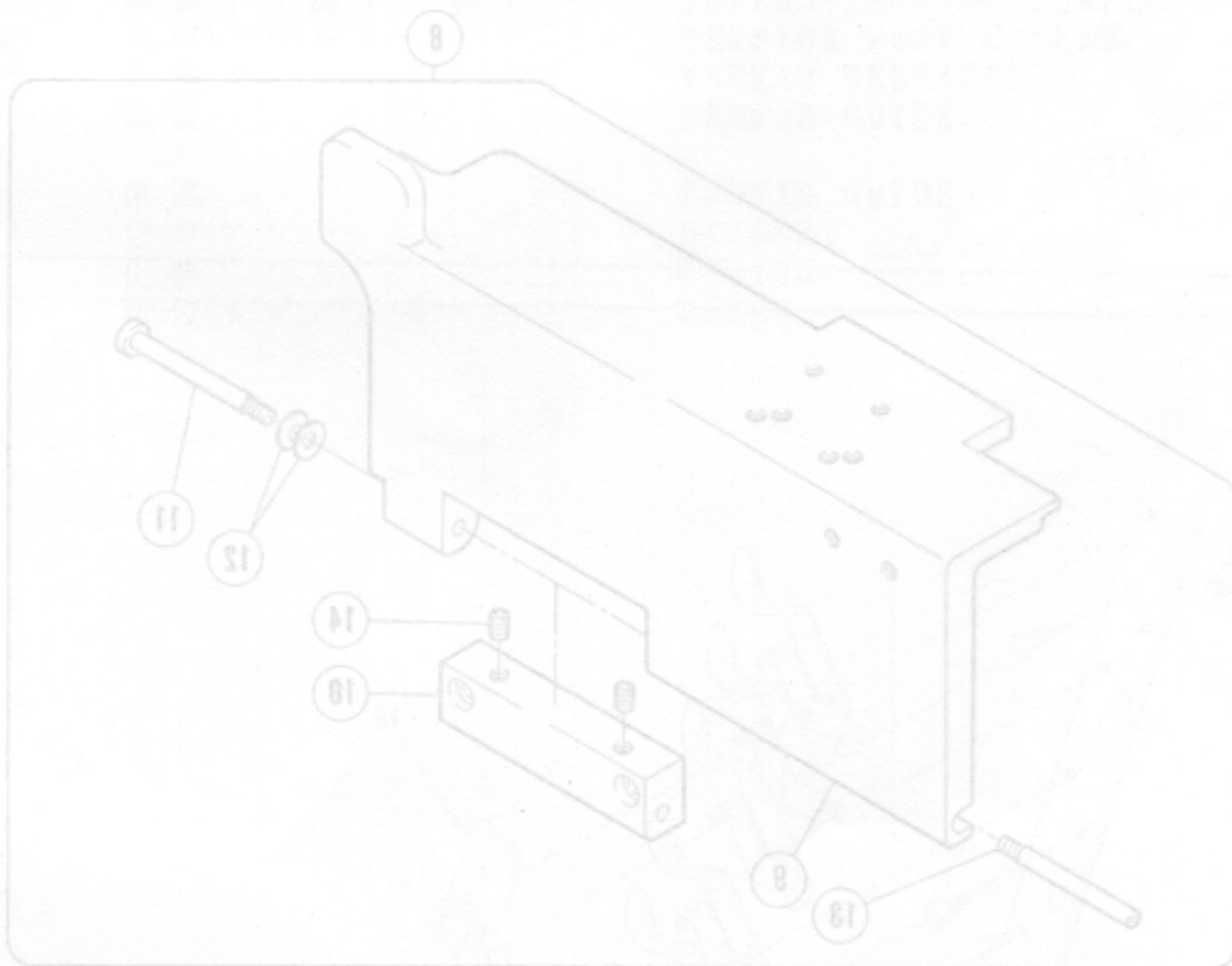
REF. NO.	PART NO.	名称	NAME	QT.
1	486-9S	糸立 (組) (6本立)	THREAD STAND ASS. (6-SPOOLS)	1
2	486A9S	糸立 (組) (5本立)	THREAD STAND ASS. (5-SPOOLS)	1
3	486B9S	糸立 (組) (4本立)	THREAD STAND ASS. (4-SPOOLS)	1
4	486C9S	糸立 (組) (3本立)	THREAD STAND ASS. (3-SPOOLS)	1
1	503-SA	スタンド棒 (下)	THREAD STAND ROD (LOWER)	1 1 1 1
2	509	座金	WASHER	1 1 1 1
3	5476	六角ナット	NUT	1 1 1 1
4	505-SA	ブラケット (3本立)	BRACKET	1 1 1
5	505ASA	ブラケット (2本立)	BRACKET	2 1
6	380A	糸立棒	SPOOL PIN	3 4 5 6
7	201252	バネ座金	SPRING WASHER	3 4 5 6
8	4803	六角ナット / M 4	NUT	3 4 5 6
9	381-SA	受皿	SPOOL TRAY	3 4 5 6
10	507	ウレタン	CUSHION	3 4 5 6
11	382-SA	ユレ止め	SPOOL RETAINING FIN	3 4 5 6
12	7102	六角ネジ / M 6 × 3 2	SCREW	1 2 2 2
13	512	座金	WASHER	1 2 2 2
14	4022	平ネジ / M 6 × 1 0	SCREW	1 2 2 2
15	502-SA	スタンド棒 (上)	THREAD STAND ROD (UPPER)	1 1 1 1
16	504-SA	ジョイント	JOINT	1 1 1 1
17	4021	平ネジ / M 5 × 1 6	SCREW	2 2 2 2
18	4805	六角ナット / M 5	NUT	2 2 2 2
19	383-SA	ブラケット	BRACKET	1 1 1 1
20	4014	平ネジ / M 4 × 2 5	SCREW	1 1 1 1
21	4803	六角ナット / M 4	NUT	1 1 1 1
22	384	糸道棒腕	THREAD GUIDE BAR ROD	1 1 1 1
23	4012	平ネジ / M 4 × 1 2	SCREW	2 2 2 2
24	4803	六角ナット / M 4	NUT	2 2 2 2
25	233-SA	ホルダー	HOLDER	1 1 1 1
26	4012	平ネジ / M 4 × 1 2	SCREW	1 1 1 1
27	4803	六角ナット / M 4	NUT	1 1 1 1
28	293	糸道棒 (6本立)	THREAD GUIDE BAR (6-SPOOLS)	1
29	293A	糸道棒 (5本立)	THREAD GUIDE BAR (5-SPOOLS)	1
30	293B	糸道棒 (4本立)	THREAD GUIDE BAR (4-SPOOLS)	1
31	293C	糸道棒 (3本立)	THREAD GUIDE BAR (3-SPOOLS)	1 1
32	4012	平ネジ / M 4 × 1 2	SCREW	1 1 1 1
33	4803	六角ナット / M 4	NUT	1 1 1 1
34	527-SA	ブラケット (3本立)	BRACKET	1 1
35	527ASA	ブラケット (2本立)	BRACKET	2 1
36	506	糸道	THREAD GUIDE	3 4 5 6
37	4021	平ネジ / M 5 × 1 6	SCREW	1 2 2 2
38	4805	六角ナット / M 5	NUT	1 2 2 2
39	386	キャップ	ROD CAP	1 1 1 1



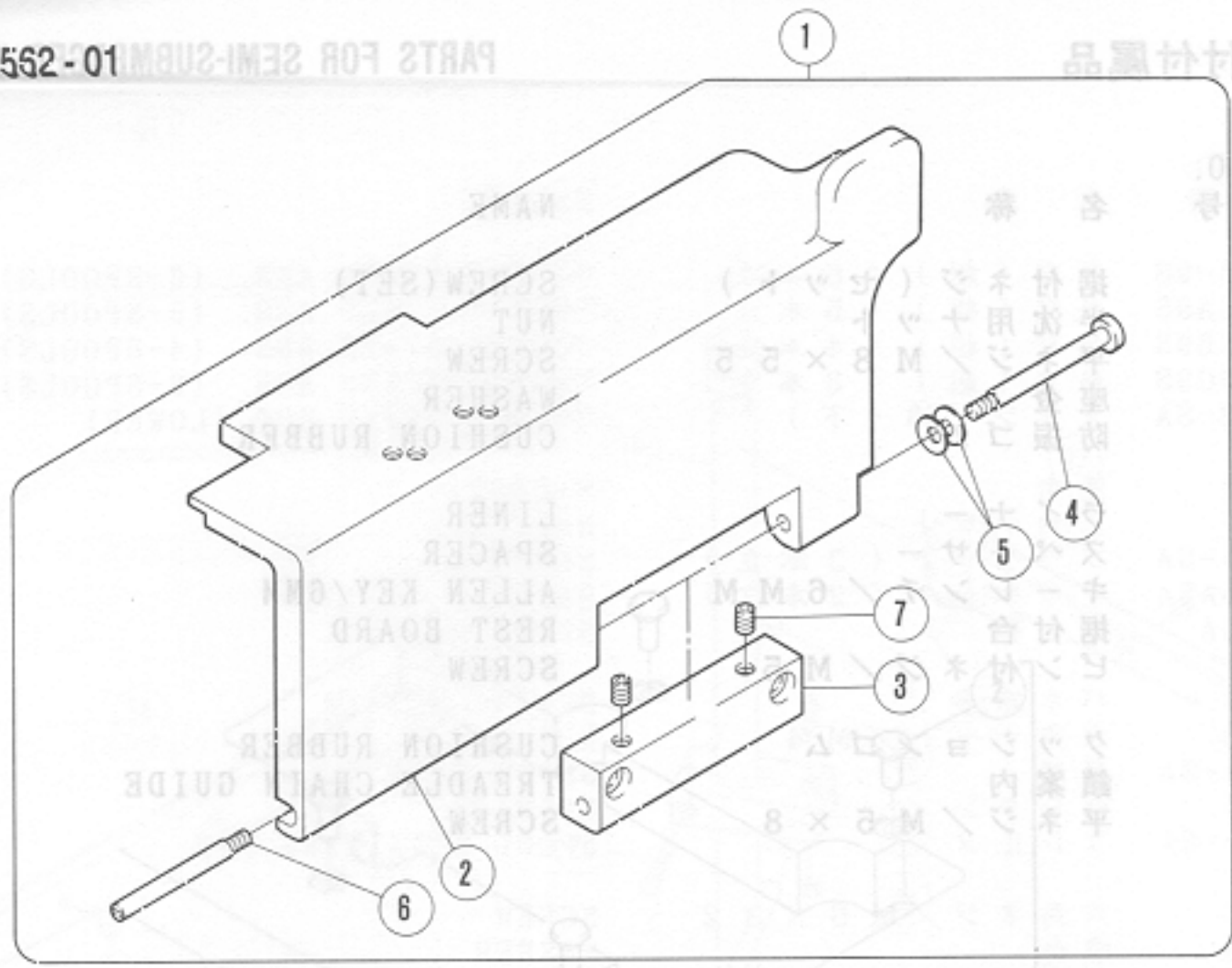
半沈床式据付付属品

PARTS FOR SEMI-SUBMERGED INSTALLATION

REF. NO.	PART NO.	部品番号	名称	NAME	QT.
1	29048		据付ネジ (セット)	SCREW (SET)	1
2	206336		半沈用ナット	NUT	4
3	24512		平ネジ / M 8 × 5.5	SCREW	4
4	206337		座金	WASHER	12
5	205764		防振ゴム	CUSHION RUBBER	4
6	205765		ライナー	LINER	4
7	205467		スペーサー	SPACER	4
8	25272		キーレンチ / 6 M M	ALLEN KEY / 6 M M	1
9	259000		据付台	REST BOARD	2
10	27093		ピン付ネジ / M 5	SCREW	4
11	206338		クッションゴム	CUSHION RUBBER	4
12	206329		鎖案内	TREADLE CHAIN GUIDE	1
13	27027		平ネジ / M 5 × 8	SCREW	2
14	4539		止ネジ / M 5 × 6	SCREW	2
15	252512		エキセン	ECCENTRIC	1
16	27080		ピン付ネジ / M 2	SCREW	1

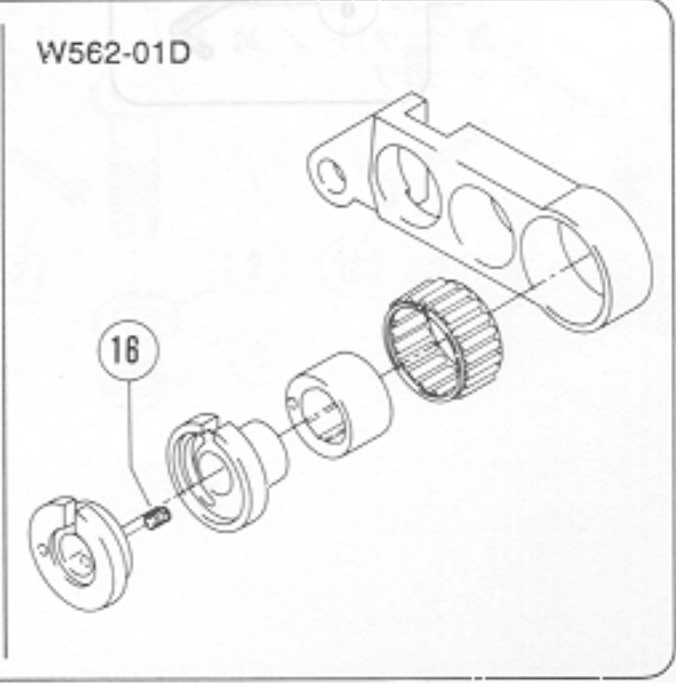
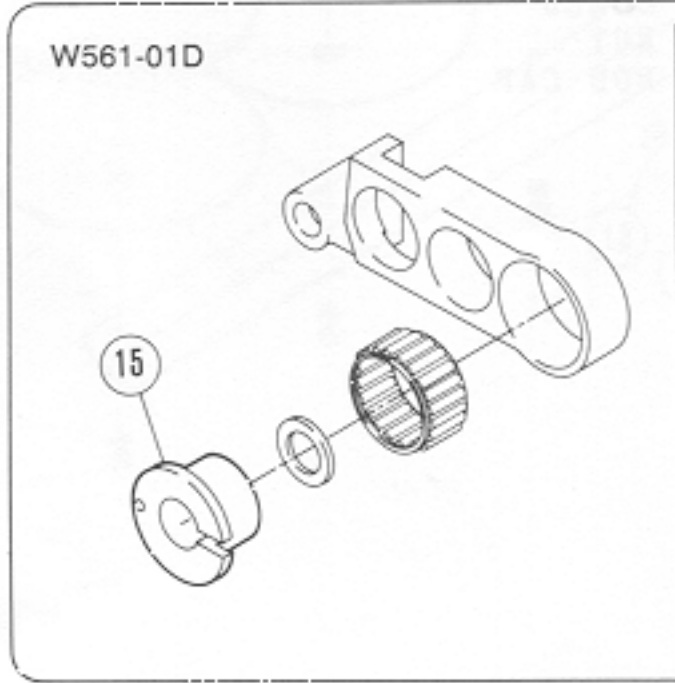
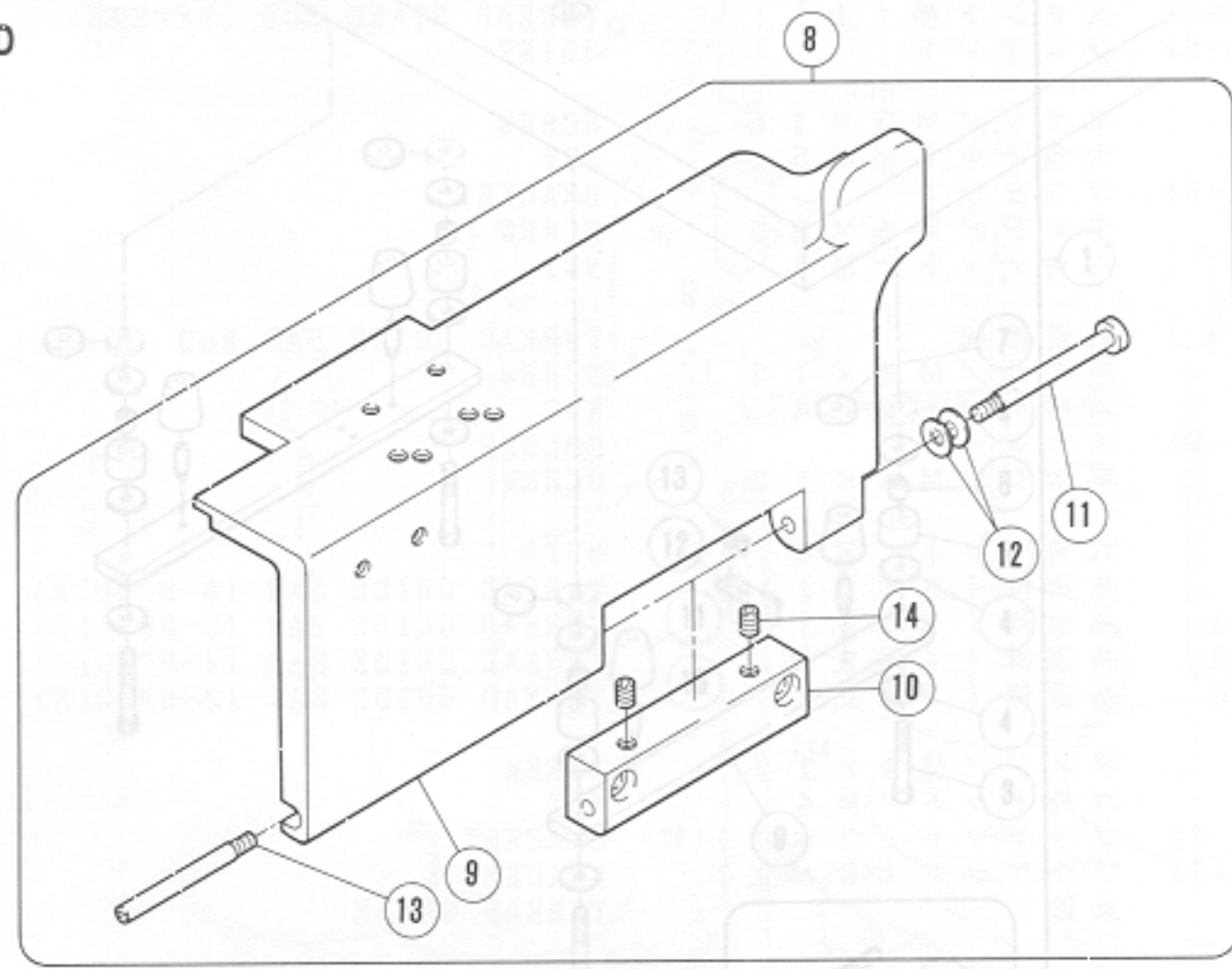


QT
1
4
4
13
4
4
4
1
1
2



REP. NO.	PART NO.	品名	数量
1	9048	半付品	1
2	206336	ナット	2
3	4512	ナット	3
4	206337	ピン	4
5	205784	ブッシュ	5
6	205785	ピン	6
7	205467	ピン	7
8	272	ピン	8
9	259000	ブッシュ	9
10	7093	ブッシュ	10
11	206338	ピン	11
12	206339	ブッシュ	12
13	7027	ブッシュ	13

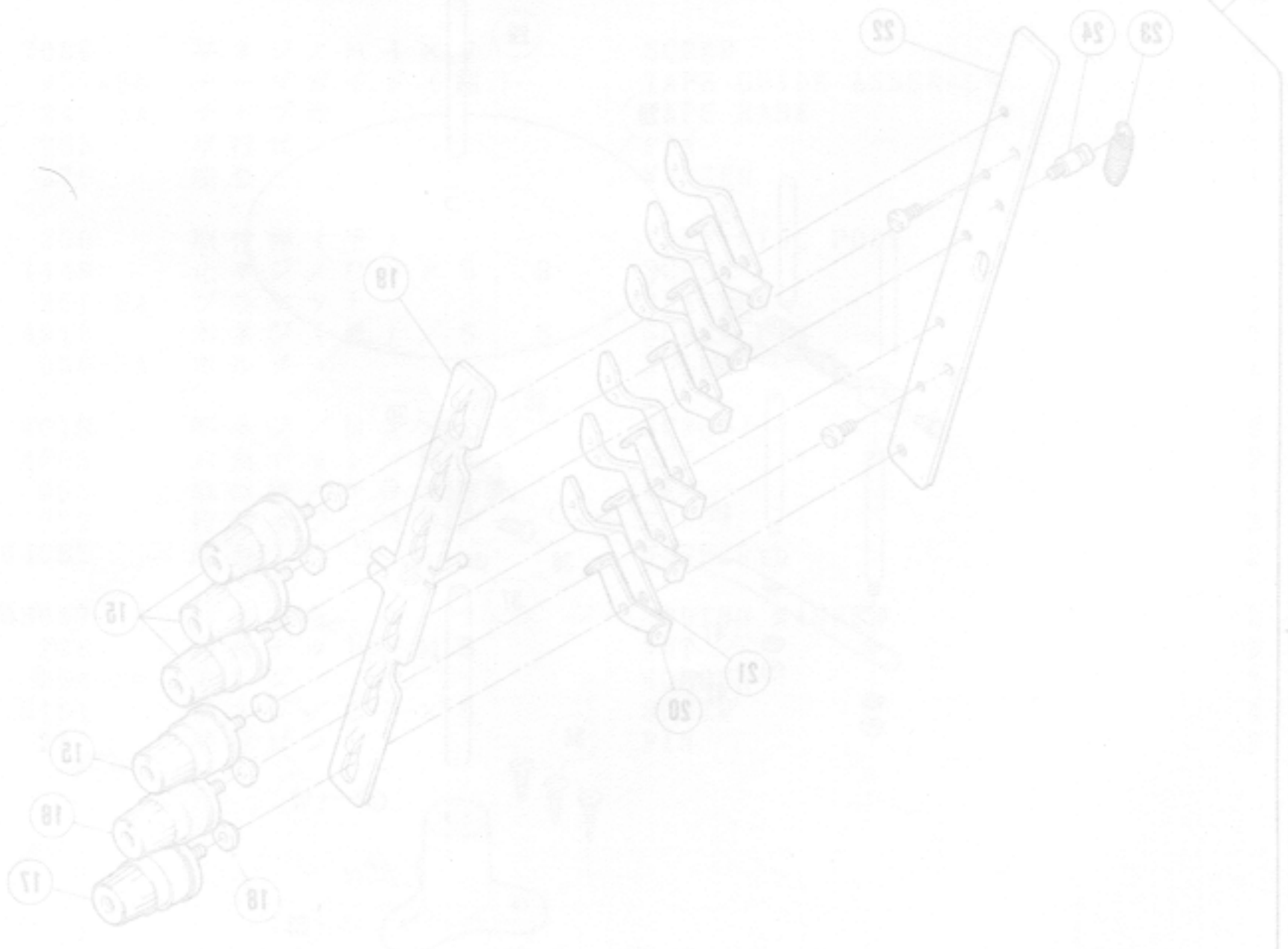
W561・562 - 01D



専用部品(1)

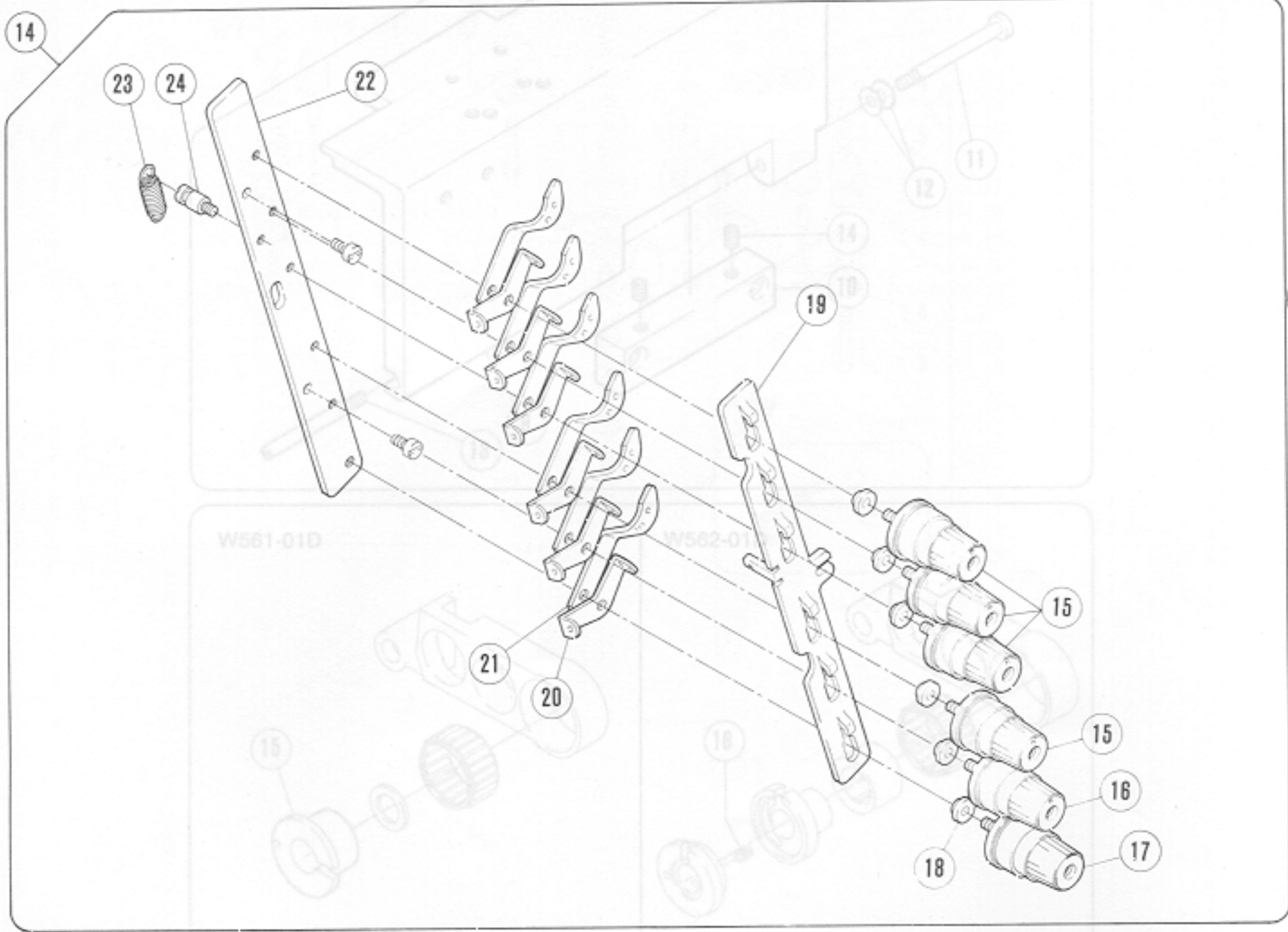
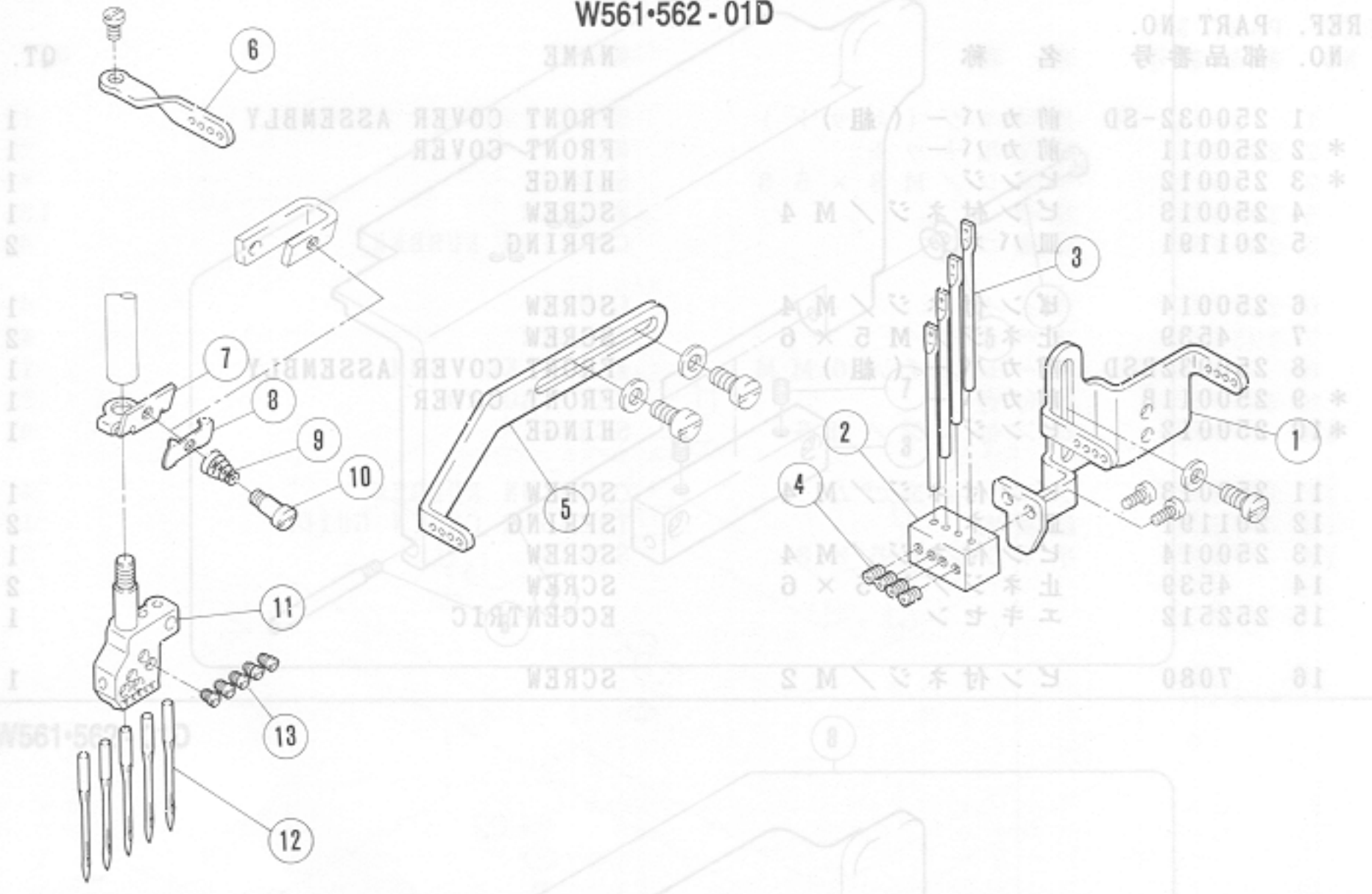
SPECIFIC PARTS (1)

REF. NO.	PART NO.	部品番号	名称	NAME	QT.
	112	250032-SD	前カバー (組)	FRONT COVER ASSEMBLY	11
*	22	250011	前カバー	FRONT COVER	11
*	32	250012	ヒンジ	HINGE GUIDE	41
	44	250013	ピン付ネジ / M 4	SCREW	41
	55	201191	皿バネ	SPRING TAKEUP	12
	66	250014	ピン付ネジ / M 4	SCREW GUIDE	11
	77	254539	止ネジ / M 5 × 6	SCREW	12
	88	250032BSD	前カバー (組)	FRONT COVER ASSEMBLY	11
*	99	250011B	前カバー	FRONT COVER	11
*	10	250012	ヒンジ	HINGE DISC	11
	111	250013	ピン付ネジ / M 4	SCREW HOLDER	11
	112	201191	皿バネ	SPRING	52
	113	250014	ピン付ネジ / M 4	SCREW	51
	114	254539	止ネジ / M 5 × 6	SCREW CONTROL MECHANISM	12
	115	252512	エキセン (強)	ECCENTRIC TENSION COMPLETE	41
	116	2547080	ピン付ネジ / M 2	SCREW TENSION COMPLETE	11
	117	254010C9U	糸調子 (組) (弱)	THREAD TENSION COMPLETE	1
	118	206202	スペーサー	TENSION POST COLLAR	6
	119	254021	糸弛メ	THREAD RELEASER	1
	120	254020	糸道	THREAD GUIDE	6
	121	206203	糸道	THREAD GUIDE	6
	122	254019A	ブラケット	BRACKET	1
	123	306301	引張りバネ	SPRING	1
	124	5447	段付ネジ / C 5	SCREW	1



※販売不可 (Not for sale.) XXXXXX is one of the gauge parts. Please confirm the correct part by the gauge parts lists on pages 102-115.

W561-562-01D



REF. NO.	PART NO.	部品番号	名称	NAME	QT.
1	253544A		糸道	THREAD GUIDE ASSEMBLY	1
2	253545A		ホルダー	HOLDER COVER	1
3	234521		糸道	THREAD GUIDE	4
4	4535		止ネジ / M 3 × 4	SCREW	4
5	253505B		糸繰り	THREAD TAKEUP	1
6	253507A		糸道	THREAD GUIDE	1
7	253584B		調子台	BRACKET	1
8	192070		調子皿 (小)	TENSION DISC (SMALL)	1
9	253517		調子バネ	SPRING	1
10	253593		小調子皿	TENSION DISC	1
11	XXXXXX		針留	NEEDLE HOLDER	1
12	XXXXXX		針	NEEDLE	5
13	5562		ピン付ネジ	SCREW	5
14	254024-9U		テンション (組) 3本針	TENSION CONTROL MECHANISM	1
15	254010A9U		糸調子 (組) (強)	THREAD TENSION COMPLETE	4
16	254010B9U		糸調子 (組) (中)	THREAD TENSION COMPLETE	1
17	254010C9U		糸調子 (組) (弱)	THREAD TENSION COMPLETE	1
18	206202		スペーサー	TENSION POST COLLAR	6
19	254021A		糸弛メ	THREAD RELEASER	1
20	254020		糸道	THREAD GUIDE	6
21	206203		糸道	THREAD GUIDE	6
22	254019A		ブラケット	BRACKET	1
23	306301		引張りバネ	SPRING	1
24	5447		段付ネジ / C 5 × 1.4	SCREW	1
25	303067		バネ座金	SPRING WASHER	1
26	7086		平ネジ / M 4 × 7	SCREW	1
27	257A9S		テープガイド (組)	TAPE GUIDE ASSEMBLY	1
28	247-SA		テープ台	TAPE BASE	1
29	253		平行ピン	PIN	1
30	270		座金	WASHER	1
31	250		取付棒 (下)	TAPE DISC POST	1
32	1448		止ネジ / C 9 × 5.2	SCREW	1
33	251-SA		ブラケット	BRACKET	1
34	4913		ホネジ (皿) / 5.8	SCREW	3
35	256-SA		ホルダー	HOLDER	1
36	4012		平ネジ / M 2	SCREW	2
37	4803		六角ナット / M	NUT	2
38	255		取付棒 / テ	SCREW	1
39	252		段付ネジ	SCREW	2
40	204585		座金	WASHER	2
41	303067		バネ座金	SPRING WASHER	2
42	226		六角ナット / M 5	NUT	2
43	254		ホルダー	HOLDER	2
44	5161		平ネジ / C 5 × 8	SCREW	4
45	253		平行ピン	PIN	2

XXXXXXはゲージパーツです。
102-115頁のゲージパーツ表で確認してください。

XXXXXX is one of the gauge parts.
Please confirm the correct part by the gauge parts lists on pages 102-115.

カバー機構(1)

COVER (1)

REF. NO.	PART NO.	部品番号	名称	NAME	QT.
1	250149-UD		アームカバー(上)	ARM COVER (TOP)	1
2	240226		栓ネジ / M 4 × 1 2	PLUG	1
3	179107-05		オイル窓	OIL SIGHT WINDOW	1
4	7021		平ネジ / M 4 × 1 2	SCREW	7
5	250019-1		Oリング	O RING	1
6	250021-UD		針棒カバー	NEEDLE BAR COVER	1
7	7019		平ネジ / M 4 × 1 0	SCREW	2
8	250016AUD		アームカバー(左)	ARM COVER (LEFT)	1
9	7021		平ネジ / M 4 × 1 2	SCREW	4
10	5242		平ネジ / H 1 1 × 5	SCREW	1
11	240263		座金	WASHER	1
12	250017		Oリング	O RING	1
13	250255		ブラケット	BRACKET	1
14	7020		平ネジ / M 4 × 1 0	SCREW	2
15	303448		座金	WASHER	2
16	250256		ブラケット	BRACKET	1
17	7066		段付ネジ / M 4	SCREW	1
18	210307		波板座金	WASHER	1
19	250257		アイガード	EYE GUARD	1
20	7009		平ネジ / M 3 × 4	SCREW	2
21	202875		座金	WASHER	2
22	250023-UD		糸繰りカバー(左)	THREAD TAKEUP COVER	1
23	7052		平ネジ / M 6 × 1 0	SCREW	1
24	207924		座金	WASHER	1
25	250022-UB		プーリーカバー	PULLEY COVER	1
26	7075		平ネジ / M 5 × 6 0	SCREW	2
27	250005-UD		下糸道カバー	COVER/LOOPER THREAD GUIDE	1
28	7019		平ネジ / M 4 × 1 0	SCREW	1
29	7089		ピン付ネジ / M 4 × 5	SCREW	1
30	210025		振動止メ	CUSHION	1
31	250051		板バネ	FLAT SPRING	1
32	7018		平ネジ / M 4 × 6	SCREW	2
33	7023		平ネジ / M 4 × 1 6	SCREW	2
34	7024		平ネジ / M 4 × 1 8	SCREW	2
35	204585		座金	WASHER	2

D10-265-165W

NAME

REF. PART NO.
NO. 部品番号

1 253544A

2 253545A

3 253521

4 253525

5 253525

6 253501

7 253584B

10 192970

10 253523

11 XXXXX

12 XXXXX

13 2501

14 2501

17 254019A

18 204020

21 308203

22 254019A

23 208201

24 2447

25 2447

26 2447

27 2447

28 2447

29 2447

30 2447

31 2447

32 2447

33 2447

34 2447

35 2447

36 2447

37 2447

38 2447

39 2447

40 2447

41 2447

42 2447

43 2447

44 2447

45 2447

46 2447

47 2447

48 2447

49 2447

50 2447

51 2447

52 2447

53 2447

54 2447

55 2447

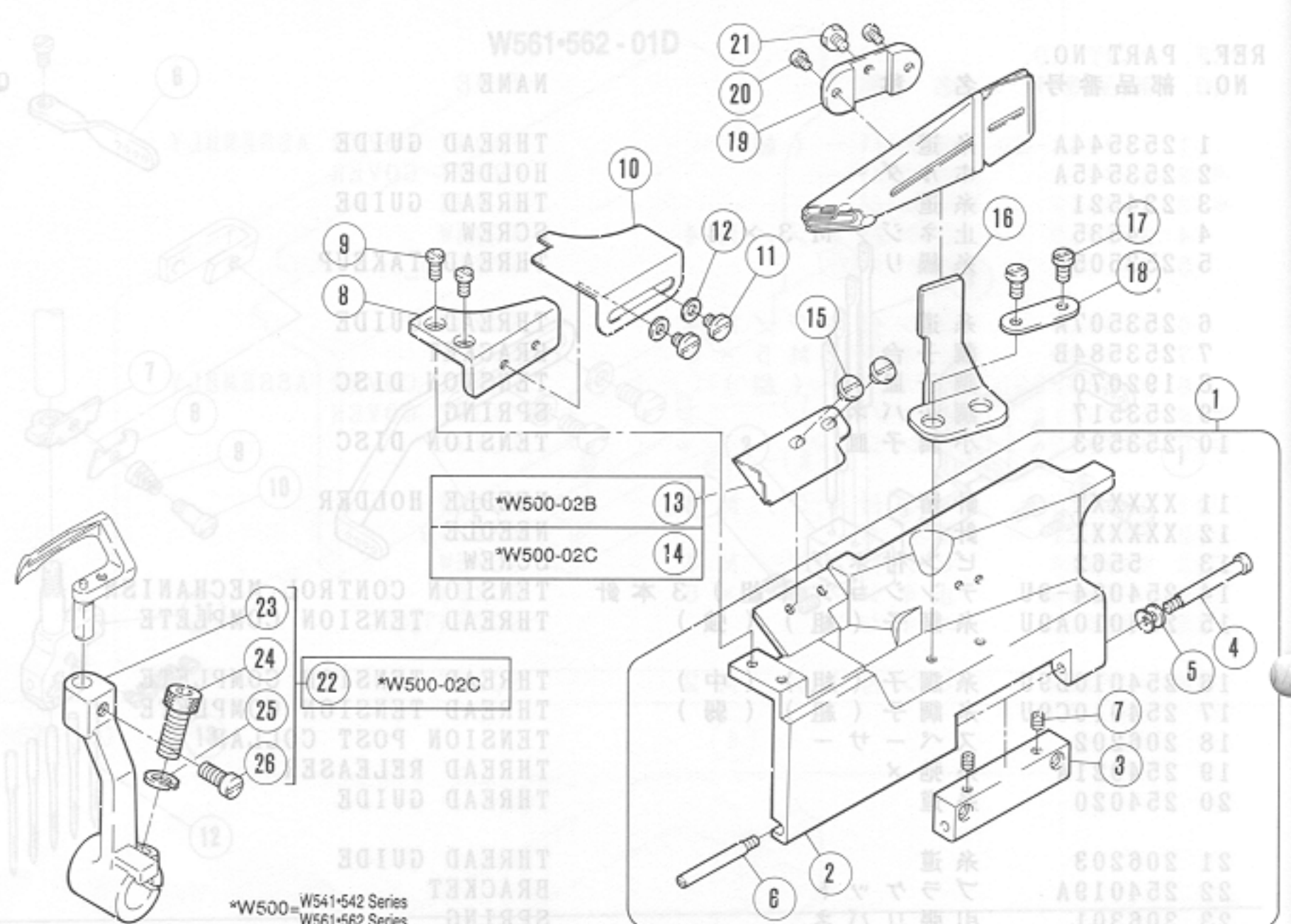
56 2447

57 2447

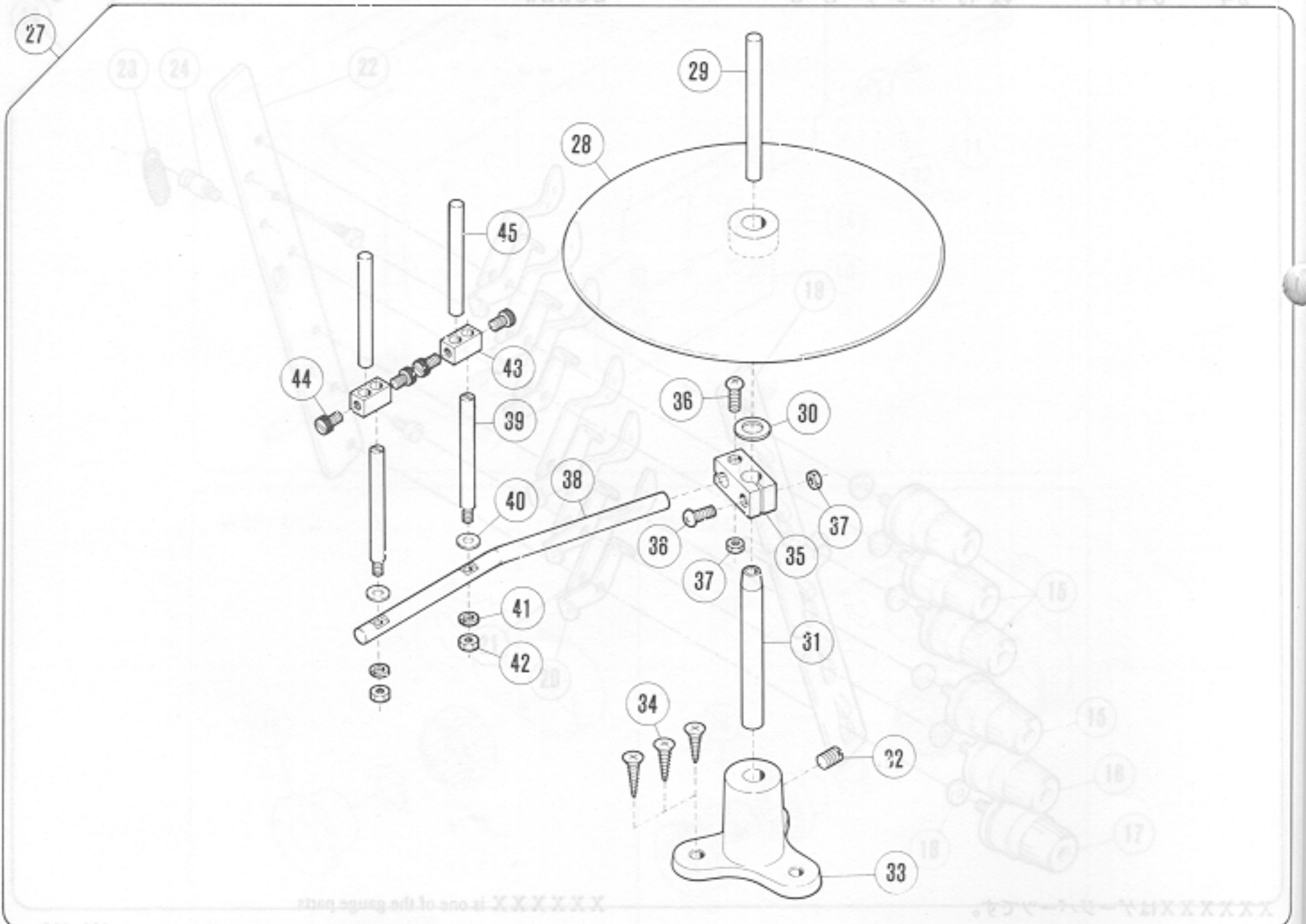
58 2447

59 2447

60 2447

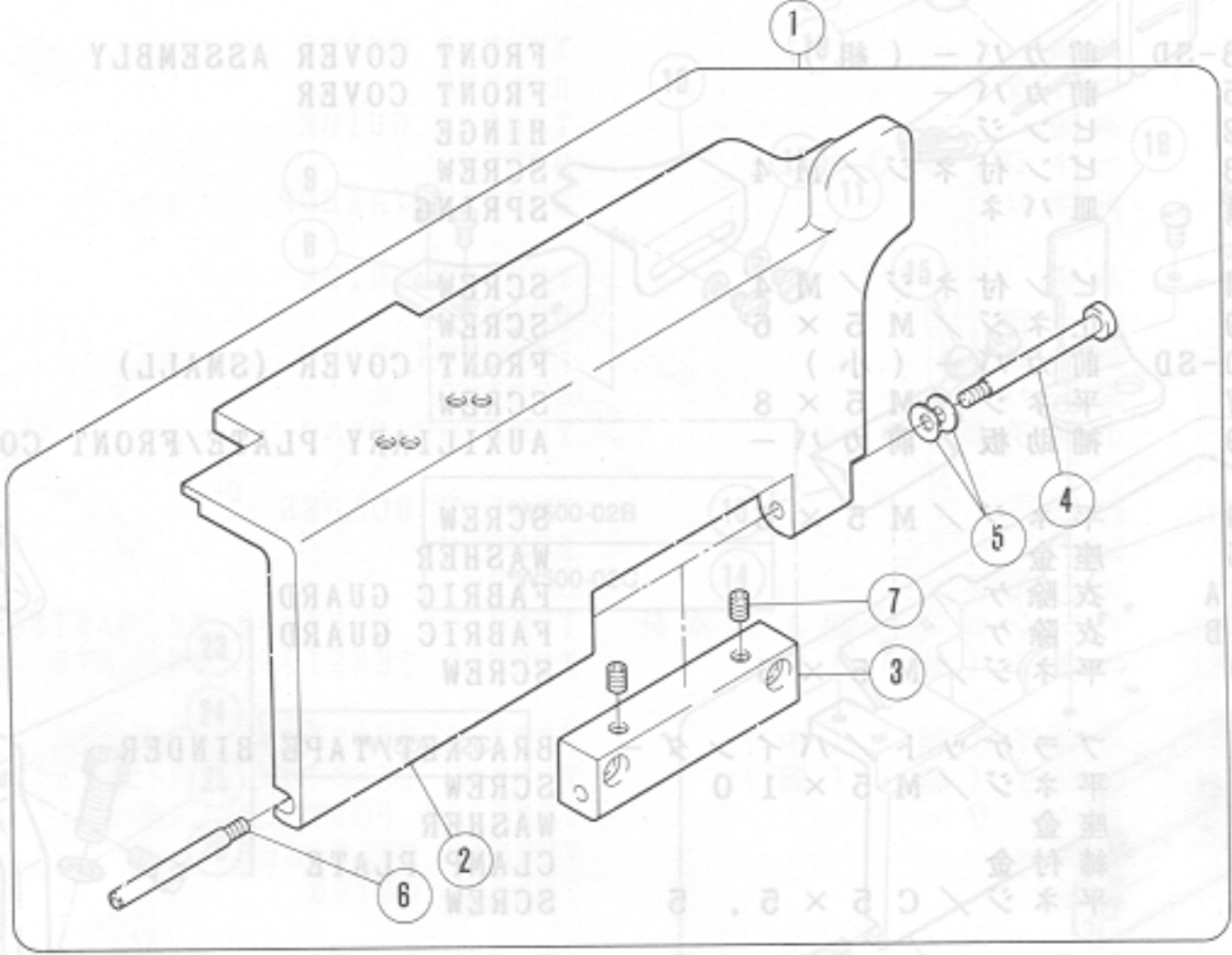


*W500- W541•542 Series
W561•562 Series



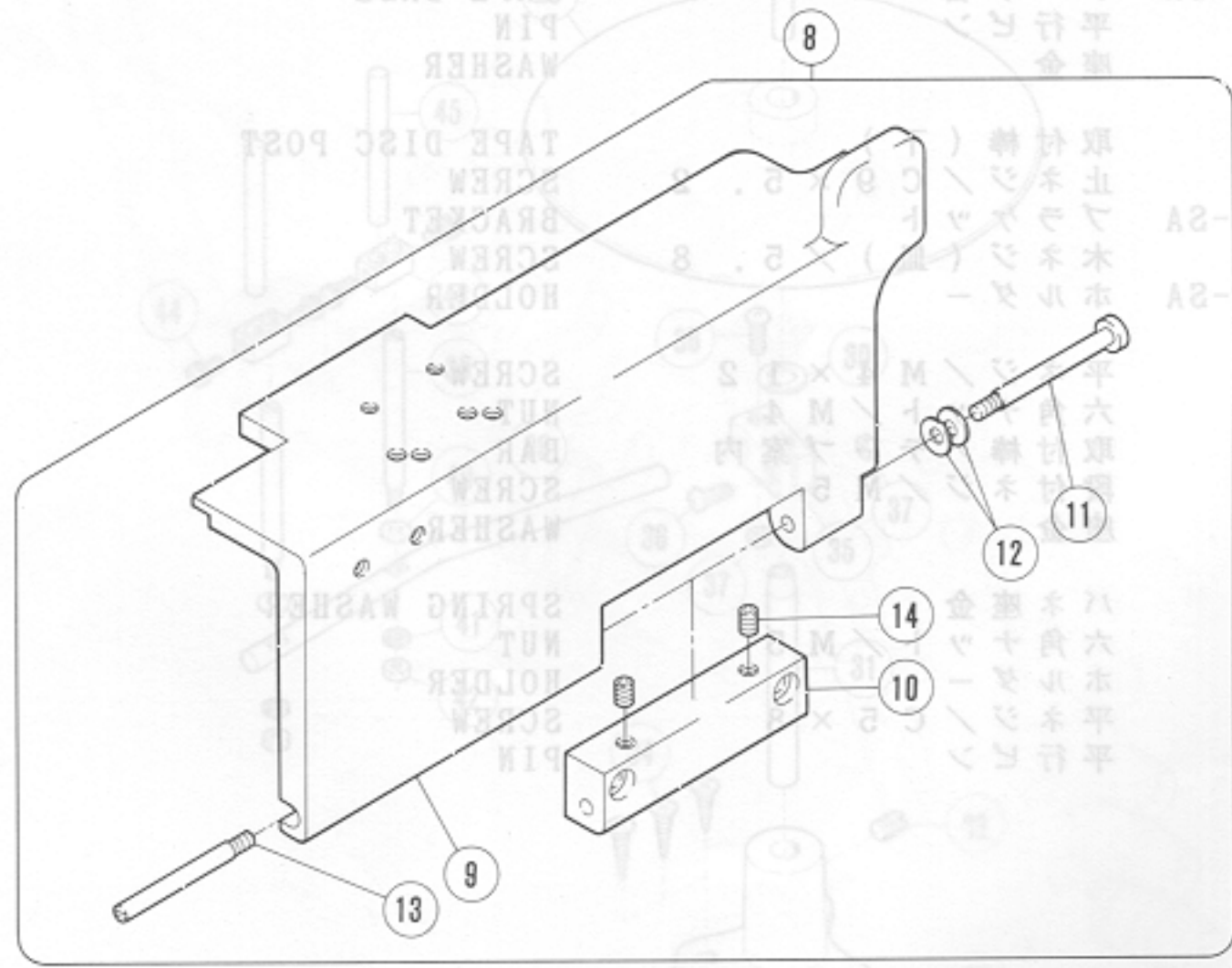
REF. NO.	PART NO.	部品番号	名称	NAME	QT.
1	250033-SD		前カバー (組)	FRONT COVER ASSEMBLY	1
*	2	250015	前カバー	FRONT COVER	1
*	3	250012	ヒンジ	HINGE	1
	4	250013	ピン付ネジ / M 4	SCREW	1
	5	201191	皿バネ	SPRING	2
	6	250014	ピン付ネジ / M 4	SCREW	1
	7	4539	止ネジ / M 5 × 6	SCREW	2
	8	250050-SD	前カバー (小)	FRONT COVER (SMALL)	1
*	9	2507027	平ネジ / M 5 × 8	SCREW	2
*	10	206439	補助板 / 前カバー	AUXILIARY PLATE / FRONT COVER	1
	11	2507079	平ネジ / M 5 × 6	SCREW	2
	12	204585	座金	WASHER	2
	13	206601A	衣除ケ	FABRIC GUARD	1
	14	206601B	衣除ケ	FABRIC GUARD	1
	15	7079	平ネジ / M 5 × 6	SCREW	2
	16	201914	ブラケット / バインダー	BRACKET / TAPE BINDER	1
	17	7028	平ネジ / M 5 × 1 0	SCREW	2
	18	206460	座金	WASHER	1
	19	201913	締付金	CLAMP PLATE	1
	20	5113	平ネジ / C 5 × 5 . 5	SCREW	2
	21	5540	六角ネジ / W 1 × 6	SCREW	1
	22	252007A92	ルーバー台 (組)	LOOPER HOLDER ASSEMBLY	1
*	23	252007A	ルーバー台	LOOPER HOLDER	1
	24	4501	平ネジ / M 5 × 1 4	SCREW	1
	25	303067	バネ座金	SPRING WASHER	1
	26	7086	平ネジ / M 4 × 7	SCREW	1
	27	257A9S	テープガイド (組)	TAPE GUIDE ASSEMBLY	1
	28	247-SA	テープ台	TAPE BASE	1
	29	253	平行ピン	PIN	1
	30	270	座金	WASHER	1
	31	250	取付棒 (下)	TAPE DISC POST	1
	32	1448	止ネジ / C 9 × 5 . 2	SCREW	1
	33	251-SA	ブラケット	BRACKET	1
	34	4913	木ネジ (皿) / 5 . 8	SCREW	3
	35	256-SA	ホルダー	HOLDER	1
	36	4012	平ネジ / M 4 × 1 2	SCREW	2
	37	4803	六角ナット / M 4	NUT	2
	38	255	取付棒 / テープ案内	BAR	1
	39	252	段付ネジ / M 5	SCREW	2
	40	204585	座金	WASHER	2
	41	303067	バネ座金	SPRING WASHER	2
	42	226	六角ナット / M 5	NUT	2
	43	254	ホルダー	HOLDER	2
	44	5161	平ネジ / C 5 × 8	SCREW	4
	45	253	平行ピン	PIN	2

QTY.	NAME	REF. PART NO.	NO.
1	FRONT COVER ASSEMBLY	1	250033-2D
1	FRONT COVER	2	250015
1	HINGE	3	250012
1	SCREW	4	250013
3	SPRING	5	201193
1	SCREW	6	250014
3	SCREW	7	4239
1	FRONT COVER (SMALL)	8	250050-2D
3	SCREW	9	7027
1	AUXILIARY PLATE FRONT COVER	10	206439
3	SCREW	11	7078
2	WASHER	12	204585
1	FABRIC GUARD	13	206601A
1	FABRIC GUARD	14	206601B
3	SCREW	15	7079
1	BRACKET TAP	16	201814
1	SCREW	17	7028
1	WASHER	18	206480
1	CLAMP	19	201813
3	SCREW	20	5113
1	SCREW	21	5540
1	SCREW	22	252007A92
1	SCREW	23	252007A



W541·542·561·562 - 04

1	FRONT COVER ASSEMBLY	25	303067
1	FRONT COVER	26	7086
1	TAP GUIDE ASSEMBLY	27	257A92
1	TAP BASE	28	247-2A
1	PIN	29	253
1	WASHER	30	270
1	TAP DISC POST	31	250
1	SCREW	32	1448
1	BRACKET	33	251-2A
1	SCREW	34	4913
1	HOLDER	35	256-2A
3	SCREW	36	4013
3	SCREW	37	4803
1	SCREW	38	255
3	SCREW	39	252
3	WASHER	40	204585
3	SCREW	41	303067
3	NUT	42	226
3	HOLDER	43	254
4	SCREW	44	5161
2	PIN	45	253



専用部品(4)

SPECIFIC PARTS (4)

REF. PART NO.
NO. 部品番号

名称

NAME

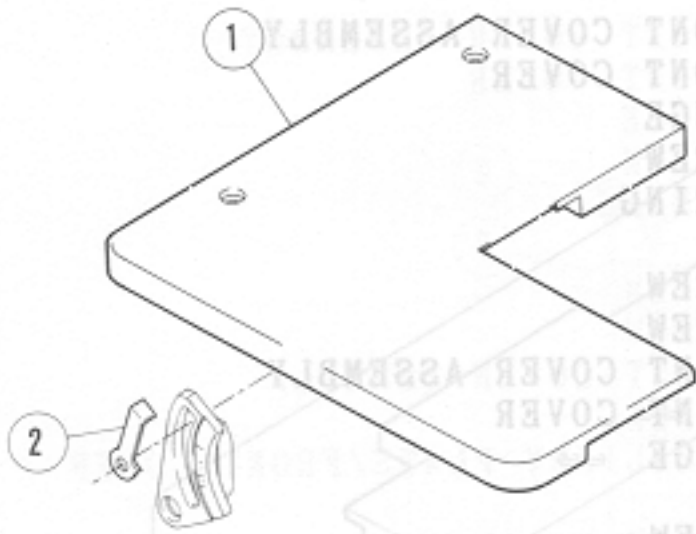
QT.

REF. PART NO. NO. 部品番号	名称	NAME	QT.
1 250032-SD	前カバー(組)(左)	FRONT COVER ASSEMBLY	1
* 2 250011	前カバー	FRONT COVER	1
* 3 250012	ヒンジ	HINGE	1
4 250013	ピン付ネジ / M 4	SCREW	1
5 201191	皿バネ	SPRING	2
* 6 250014	ピン付ネジ / M 4	SCREW	1
* 7 4539	止ネジ / M 5 × 6	SCREW	2
8 250032BSD	前カバー(組)	FRONT COVER ASSEMBLY	1
* 9 250011B	前カバー	FRONT COVER	1
* 10 250012	ヒンジ	HINGE	1
11 250013	ピン付ネジ / M 4	SCREW	1
12 201191	皿バネ	SPRING	2
13 250014	ピン付ネジ / M 4	SCREW	2
14 4539	止ネジ / M 5 × 6	SCREW	2
15 4545	止ネジ / M 3 × 4	SCREW	1
16 253029	指ガード	FINGER GUARD	1
17 250039ASD	横カバー(組)	SIDE COVER COMPLETE	1
18 250035A	横カバー	SIDE COVER	1
19 250038	ヒンジ	HINGE	1
20 250037	ピン付ネジ / M 4	SCREW	1
21 201191	皿バネ	SPRING	2
22 250038	ピン付ネジ / M 4	SCREW	1
23 4535	止ネジ / M 5 × 6	SCREW	2
24 255517	布案内	FABRIC GUIDE	1
25 7079	平ネジ / M 4	SCREW	2
26 204585	座金	WASHER	2
27 250034-SD	前カバー(組)	FRONT COVER ASSEMBLY	1
* 28 250024	前カバー	FRONT COVER	1
* 29 250012	ヒンジ	HINGE	1
30 250013	ピン付ネジ / M 4	SCREW	1
31 201191	皿バネ	SPRING	2
32 250014	ピン付ネジ / M 4	SCREW	1
33 4539	止ネジ / M 5 × 6	SCREW	2
34 4514	止ネジ / M 5 × 6	SCREW	1
35 210025	振動止イ	CUSHION	1
36 250066	検針	PLUG	1
37 250027	軸	SHAFT	1
38 202340	圧縮バネ	SPRING	1
39 250028	ストップバー	STOPPER	1
40 7018	平ネジ / M 4 × 6	SCREW	2
41 250026	ブラケット	BRACKET	1
42 7028	平ネジ / M 5 × 10	SCREW	1
43 306920	実行ピン	SCREW	1
44 250025-SE	前カバー(小)	FRONT COVER (SMALL)	1
45 7018	平ネジ / M 4 × 6	SCREW	2

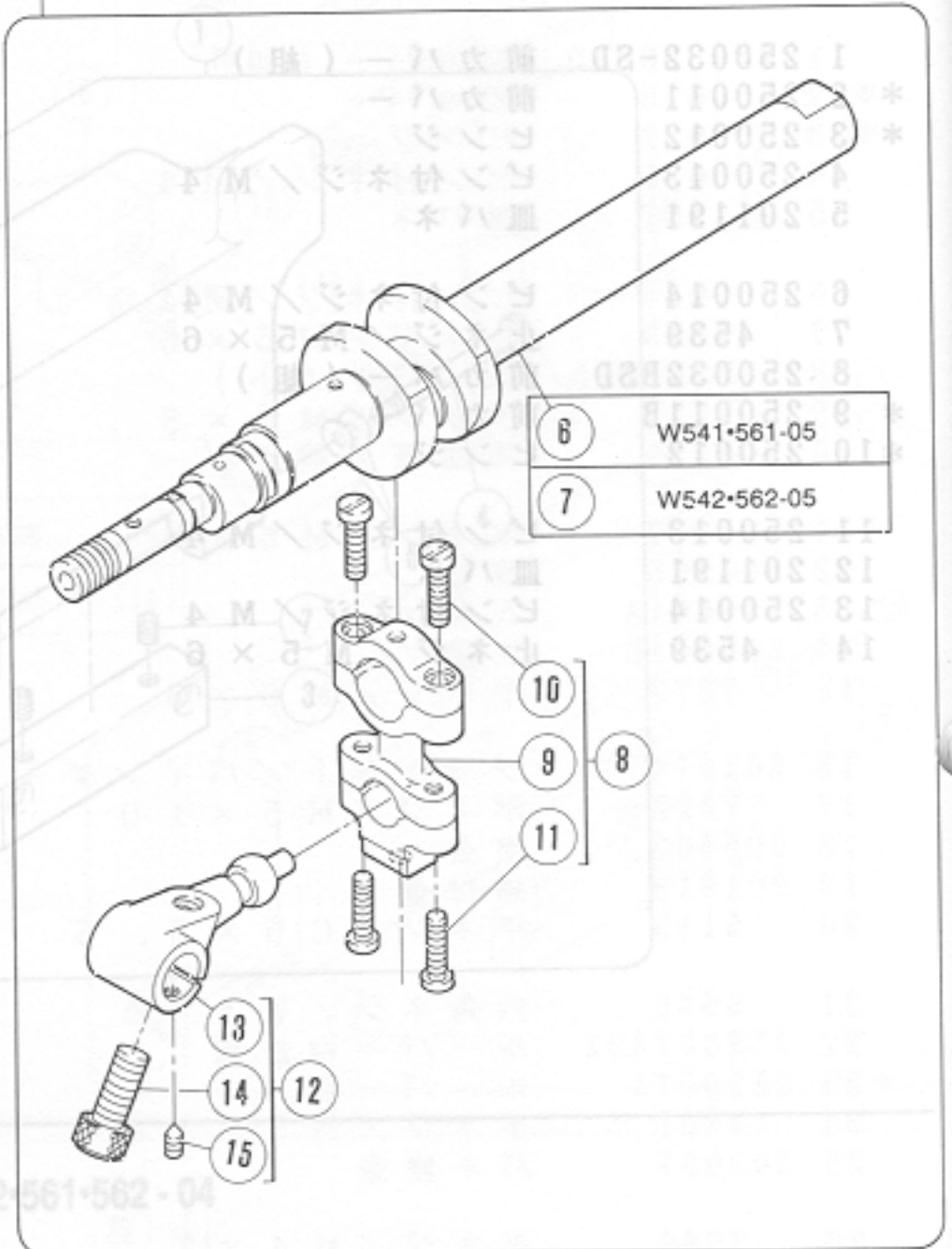
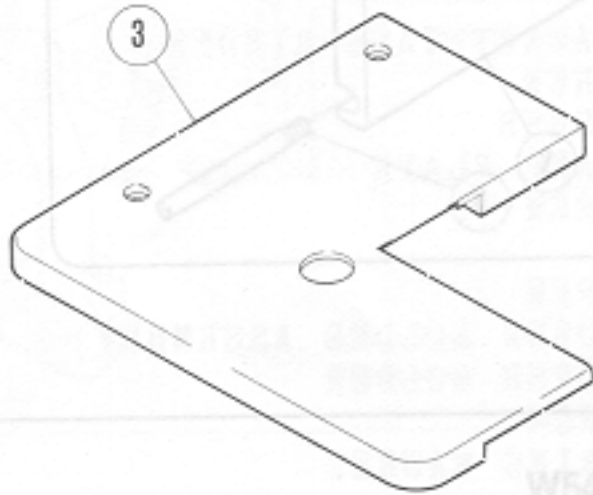
*=販売不可 (Not for sale.)

W541-561-05

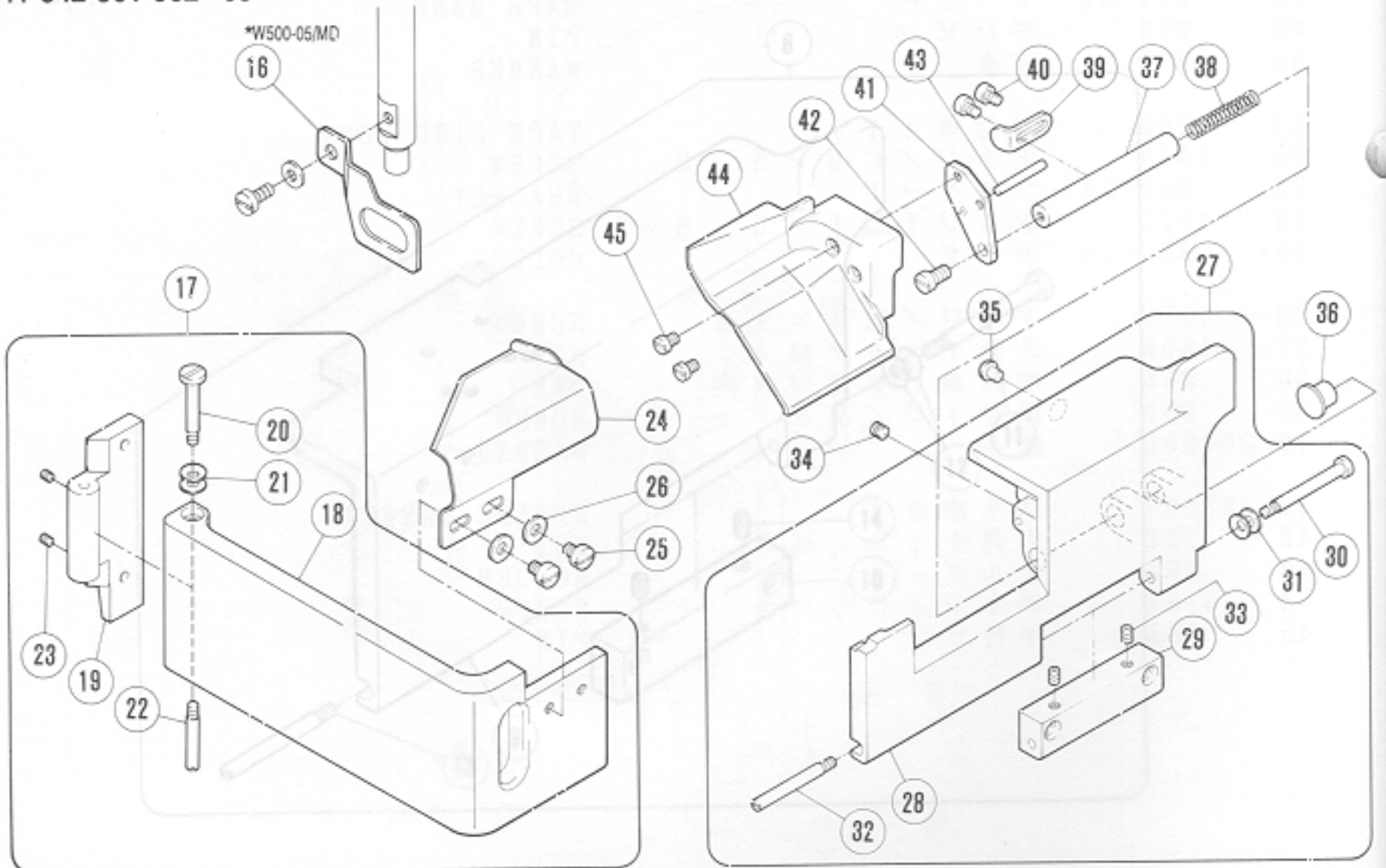
4	W541-561-05
5	W542-562-05



W542-562-05



W541-542-561-562-05



*W500=W541-542 Series, W551-562 Series

専用部品(5)

SPECIFIC PARTS (5)

REF. NO.	PART NO.	部品番号	名称	NAME	QT.
1	250052ASD		ベッドカバー (左)	BED COVER (LEFT) (NT)	1
2	252518		指針	INDICATOR	1
3	250052CSD		ベッドカバー (左)	BED COVER (LEFT) (R)	1
4	250531-91		クランク軸 (組)	CRANKSHAFT ASSEMBLY	1
* 5	250532-91		クランク軸 (組)	CRANKSHAFT ASSEMBLY	1
* 6	250500		クランク軸	CRANKSHAFT	1
* 7	250501-91		クランク軸	CRANKSHAFT	1
8	252009-92		ロッド (組)	CONNECTION ASSEMBLY	1
* 9	252009		ロッド	CONNECTION	1
10	207015		平ネジ / M 3 . 5 × 1 4	SCREW	2
11	257015		平ネジ / M 3 . 5 × 1 4	SCREW	2
12	252008-92		クランク (組)	CRANK ASSEMBLY	1
13	252008		クランク本体	CRANK BODY	1
14	4534		平ネジ / M 6 × 1 4 5	SCREW	1
* 15	254545		止ネジ / M 3 × 4	SCREW	1
16	253029		フィンガーガード	FINGER GUARD	1
17	250039ASD		横カバー (組)	SIDE COVER COMPLETE	1
18	250035A		横カバー	SIDE COVER	1
19	250036		ヒンジ	HINGE	1
20	250037		ピン付ネジ / M 4	SCREW	1
21	201191		皿バネ (セット)	SPRING CHUTE SET	2
22	250038		ピン付ネジ / M 4	SCREW CHUTE TOP (A)	1
23	204535		止ネジ / M 3 × 4	SCREW CHUTE TOP (B)	2
24	255517		布案内	FABRIC GUIDE	1
25	207079		平ネジ / M 5 × 6	SCREW	2
26	204585		座金	WASHER	2
27	250034-SD		前カバー (組)	FRONT COVER ASSEMBLY	1
* 28	250024		前カバー	FRONT COVER	1
* 29	250012		ヒンジ	HINGE	1
30	250013		ピン付ネジ / M 4	SCREW	1
31	201191		皿バネ	SPRING	2
32	250014		ピン付ネジ / M 4	SCREW	1
33	4539		止ネジ / M 5 × 6	SCREW	2
34	4514		止ネジ / M 5 × 5	SCREW	1
35	210025		振動止メ	CUSHION	1
36	250066		栓	PLUG	1
37	250027		軸	SHAFT	1
38	202340		圧縮バネ	SPRING	1
39	250028		ストッパー	STOPPER	1
40	7018		平ネジ / M 4 × 6	SCREW	2
41	250026		ブラケット	BRACKET	1
42	7028		平ネジ / M 5 × 1 0	SCREW	1
43	306920		平行ピン	PIN	1
44	250025-ME		前カバー (小)	FRONT COVER (SMALL)	1
45	7018		平ネジ / M 4 × 6	SCREW	2

XXXXXXXXはゲージパーツです。
102-115頁のゲージパーツ表で確認してください。

XXXXXXXX is one of the gauge parts.
Please confirm the correct part by the gauge parts lists on pages 102-115.

* =販売不可 (Not for sale.)

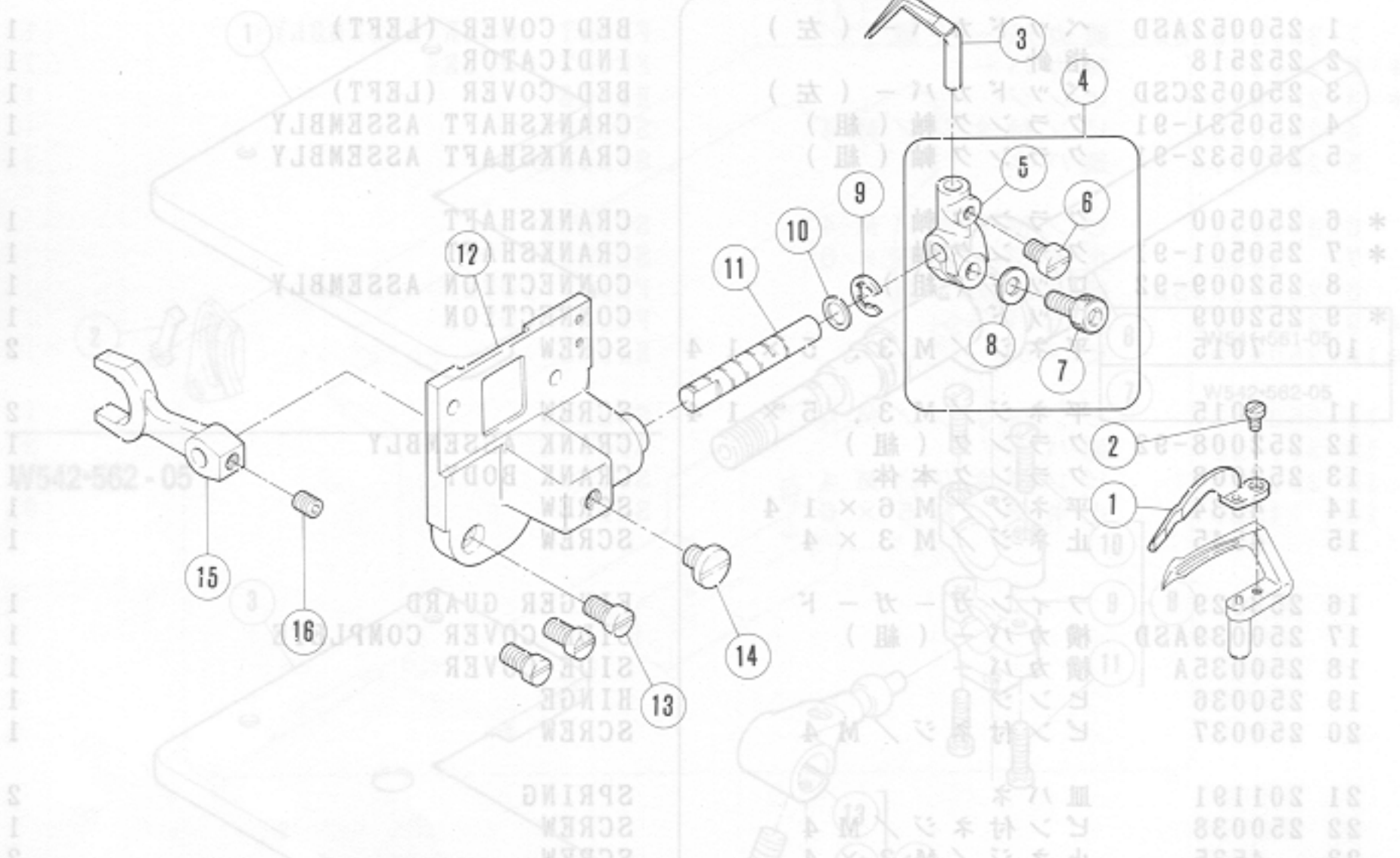
W541-561-05

W541-561-05

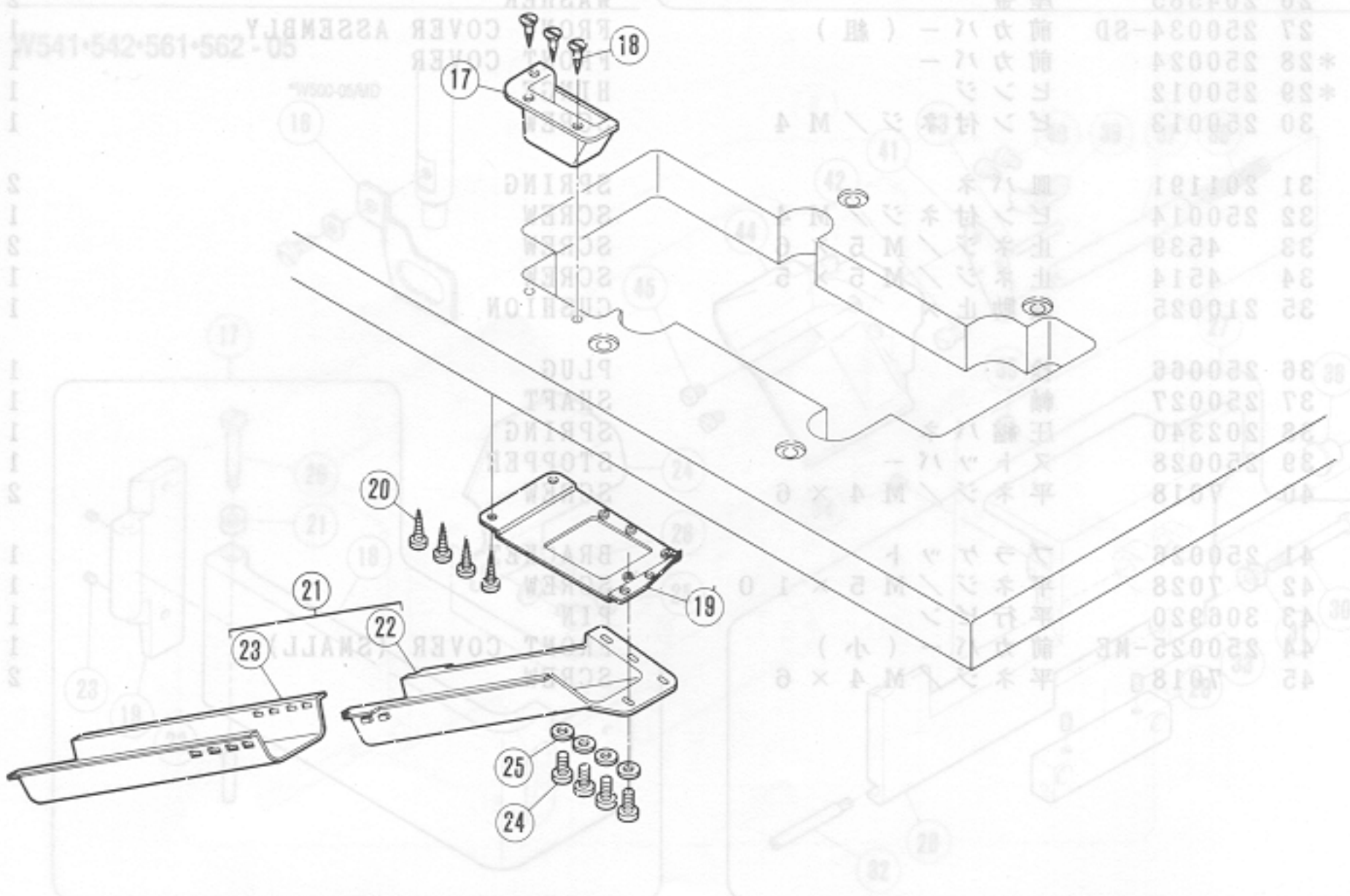
W541-542-561-562 - 05

針受機構
NEEDLE GUARD MECHANISM

REF. PART NO.
部品番号



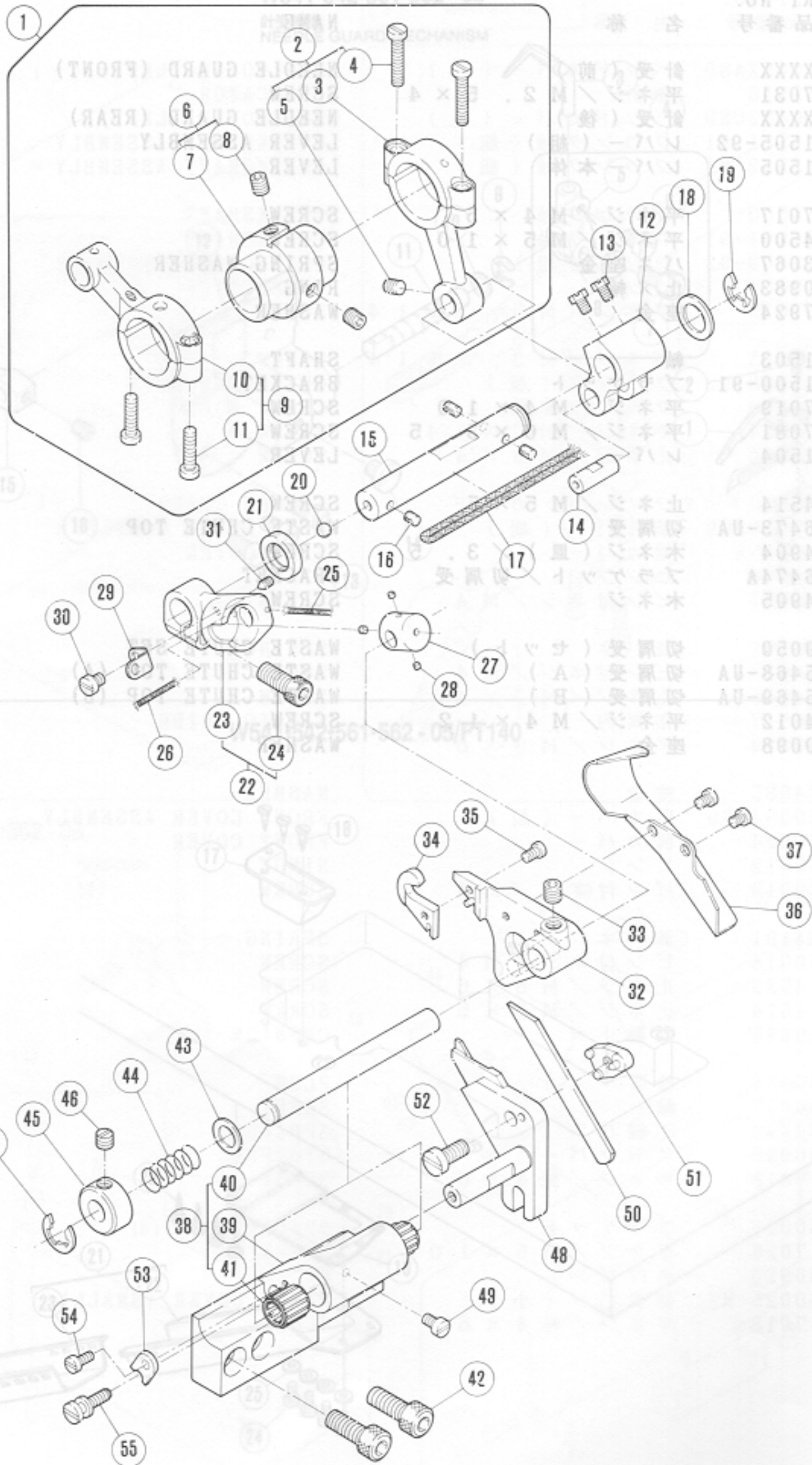
W541-542-561-562 - 05/FT140



REF. NO.	PART NO.	部品番号	名称	NAME	QT.
1	XXXXXX	516-9	針受 (前)	NEEDLE GUARD (FRONT) ASSEMBLY	1
2	7031	501-9	平ネジ / M 2.5 × 4	SCREW	1
3	XXXXXX	501	針受 (後)	NEEDLE GUARD (REAR)	1
4	251505-92		レバー (組)	LEVER ASSEMBLY	1
* 5	251505		レバー 本体	LEVER	1
6	7017	500	平ネジ / M 4 × 5	SCREW	1
7	4500	500	平ネジ / M 5 × 10	SCREW	1
8	303067	539	バネ座金	SPRING WASHER	1
9	200983	001-9	止メ輪	RING	1
10	207924		座金	WASHER	1
11	251503	7015	軸	SHAFT	2
12	251500-91	093	ブラケット	BRACKET	1
13	7019	185-2	平ネジ / M 4 × 10	SCREW	2
14	7081	502	平ネジ / M 6 × 3.5	SCREW	1
* 15	251504		レバー	LEVER	1
16	4514		止ネジ / M 5 × 5	SCREW	1
17	306473-UA		切屑受	WASTE CHUTE TOP	1
18	4904	097	木ネジ (皿) / 3.5	SCREW	3
19	306474A		ブラケット / 切屑受	BRACKET	1
20	4905	052A	木ネジ	SCREW	4
21	* 9050	503	切屑受 (セット)	WASTE CHUTE SET	1
22	205468-UA		切屑受 (A)	WASTE CHUTE TOP (A)	1
23	205469-UA		切屑受 (B)	WASTE CHUTE TOP (B)	1
24	4012	174	平ネジ / M 4 × 12	SCREW	4
25	200098	505	座金	WASHER	4
28	207925		フェルト	FELT	3
29	255504		ラッチ	LATCH	1
30	7029		平ネジ / M 3	SCREW	1
31	4545		止ネジ / M 3 × 4	SCREW	1
32	255507-91		止メス (組)	UPPER KNIFE LEVER ASSEMBLY	1
33	86-4547		止ネジ / M 6 × 5	SCREW	1
34	306394		止メス	UPPER KNIFE	1
35	5109		平ネジ / M 3 × 5.5	SCREW	1
36	255515		屑ガード	CHIP GUARD	1
37	7008		平ネジ / M 3 × 5	SCREW	2
38	255514-91		ブラケット (組)	BRACKET COMPLETE	1
39	255506		ブラケット	BRACKET	1
40	255508-2		軸	SHAFT	1
41	240099		ニードル	NEEDLE	2
42	4515		平ネジ / M 6 × 3	SCREW	2
43	207045		座金	WASHER	1
* 44	306105		バネ	SPRING	1
45	192024		カッター	COLLAR	1
46	W00024-1		止ネジ / W 2 × 4	SCREW	1
47	202522		止メ輪	WASHER	1
48	255509		下メス台	LOWER KNIFE HOLDER	1
49	7036		平ネジ / M 4 × 6	SCREW	1
50	204161		下メス	LOWER KNIFE	1
51	255510		下メス押エ	LOWER KNIFE CLAMP	1
52	7028		平ネジ / M 5 × 1	SCREW	1
53	255511		案内	GUIDE	1
54	7010		平ネジ / M 3 × 6	SCREW	1
55	255513		段付ネジ / M 4	SCREW	1

XXXXXXはゲージパーツです。
102-115頁のゲージパーツ表で確認してください。

XXXXXX is one of the gauge parts.
Please confirm the correct part by the gauge parts lists on pages 102-115.



Please confirm the correct part by the gauge parts list on pages 102-112.

102-112頁のヤマハパーツ表で確認してください。

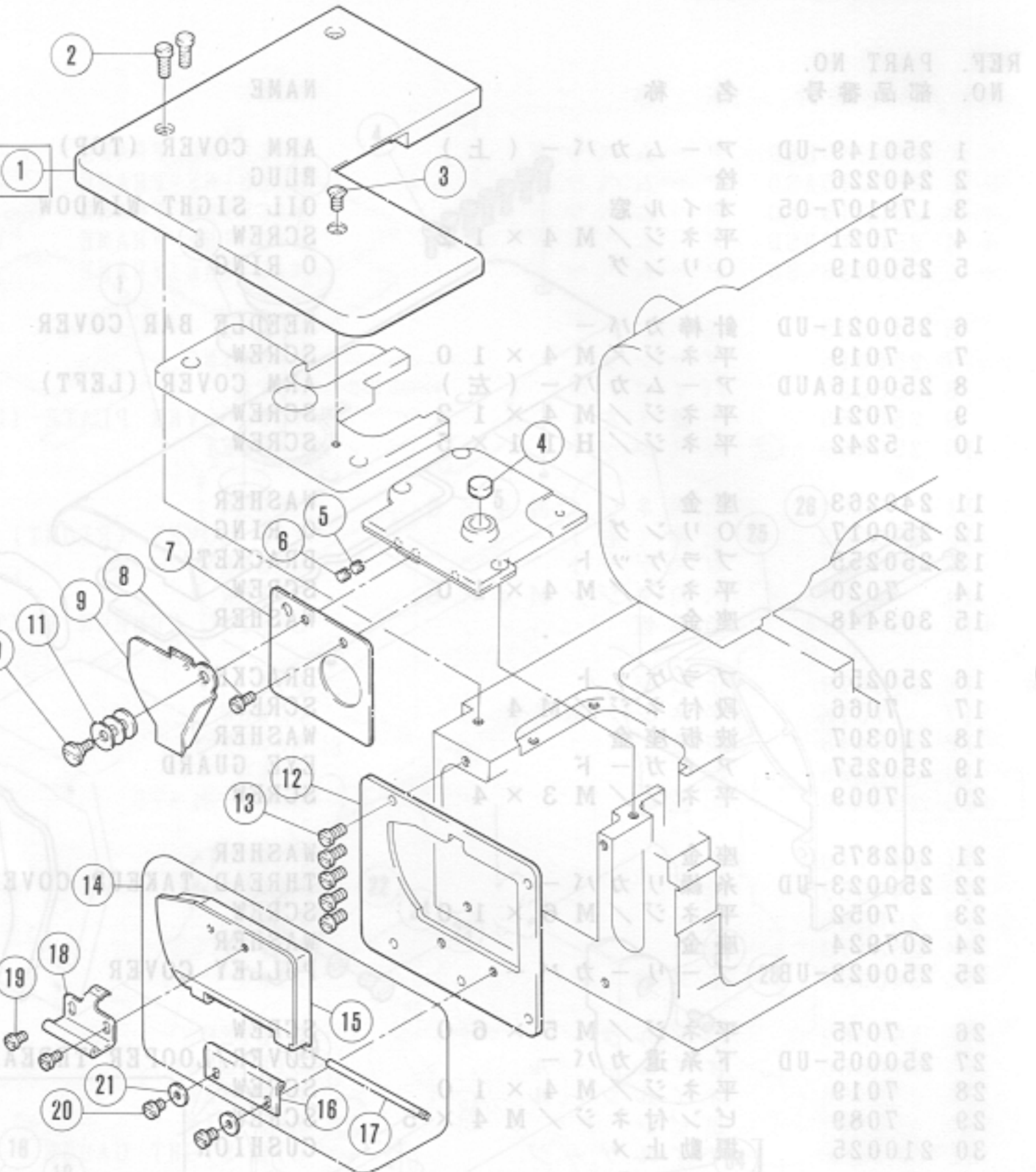
専用部品(7)
FT装置

SPECIFIC PARTS (7)
FT DEVICE

REF. NO.	REF. NO.	PART NO.	部品番号	名称	NAME	QT.
1	1	255516-91		エキセンロッド (組)	ECCENTRIC-CONNECTION ASSEMBLY	1
* 2	2	255501-92		ロッド (組)	CONNECTION ASSEMBLY	1
* 3	3	255501		ロッド	CONNECTION	1
4	4	7015		平ネジ / M 3 . 5 × 1 4	SCREW	2
5	5	4543		止ネジ	SCREW	1
6	6	255500-92		エキセン (組)	ECCENTRIC ASSEMBLY	1
7	7	255500		エキセン	ECCENTRIC	1
8	8	4539		止ネジ / M 5 × 6	SCREW	2
9	9	252001-92		ロッド (組)	CONNECTION ASSEMBLY	1
* 10	10	252001		ロッド	CONNECTION	1
11	11	7015		平ネジ / M 3 . 5 × 1 4	SCREW	2
12	12	306093		クランク	CRANK	1
13	13	5084		六角ネジ / C 5 × 5 . 5	SCREW	2
14	14	205495-2		平行ピン	PIN	1
15	15	255502		軸	SHAFT	1
16	16	206748		フェルト	FELT	3
17	17	202176		給油紐	OIL WICK	1
18	18	240102		給油座金	WASHER	1
19	19	205061		止メ輪	RING	1
20	20	240097		栓	PLUG	1
21	21	204052A		オイルシール	OIL SEAL	1
22	22	255503-92		レバー (組)	LEVER ASSEMBLY	1
* 23	23	255503		レバー	LEVER	1
24	24	4501		平ネジ / M 5 × 1 4	SCREW	1
25	25	202175		給油紐	OIL WICK	1
26	26	202174		給油紐	OIL WICK	1
27	27	255505		駒	BLOCK	1
28	28	207925		フェルト	FELT	3
29	29	255504		ラッチ	LATCH	1
30	30	7009		平ネジ / M 3 × 4	SCREW	1
31	31	4545		止ネジ / M 3 × 4	SCREW	1
32	32	255507-91		上メス台 (組)	UPPER KNIFE LEVER ASSEMBLY	1
33	33	4547		止ネジ / M 6 × 5	SCREW	1
34	34	306394		上メス	UPPER KNIFE	1
35	35	5109		平ネジ / C 3 × 5 . 5	SCREW	1
36	36	255515		屑除ケ (組)	CHIP GUARD COMPLETE	1
37	37	7008		平ネジ / C 3 × 5	SCREW	2
38	38	255514-91		ブラケット (組)	BRACKET COMPLETE	1
39	39	255506		ブラケット	BRACKET	1
40	40	255508-2		軸	SHAFT	1
41	41	240099		ニードルベアリング	NEEDLE BEARING	2
42	42	4515		平ネジ / M 6 × 1 4	SCREW	2
43	43	207045		座金	WASHER	1
* 44	44	306105		圧縮バネ	SPRING	1
45	45	192024		カラー	COLLAR	1
46	46	W00024-1		止ネジ / W 2 × 4	SCREW	1
47	47	202522		止メ輪	RING	1
48	48	255509		下メス台	LOWER KNIFE HOLDER	1
49	49	7036		平ネジ / M 4 × 6	SCREW	1
50	50	204161		下メス	LOWER KNIFE	1
51	51	255510		下メス押エ	LOWER KNIFE CLAMP	1
52	52	7028		平ネジ / M 5 × 1 0	SCREW	1
53	53	255511		案内	GUIDE	1
54	54	7010		平ネジ / M 3 × 6	SCREW	1
55	55	255513		段付ネジ / M 4	SCREW	1

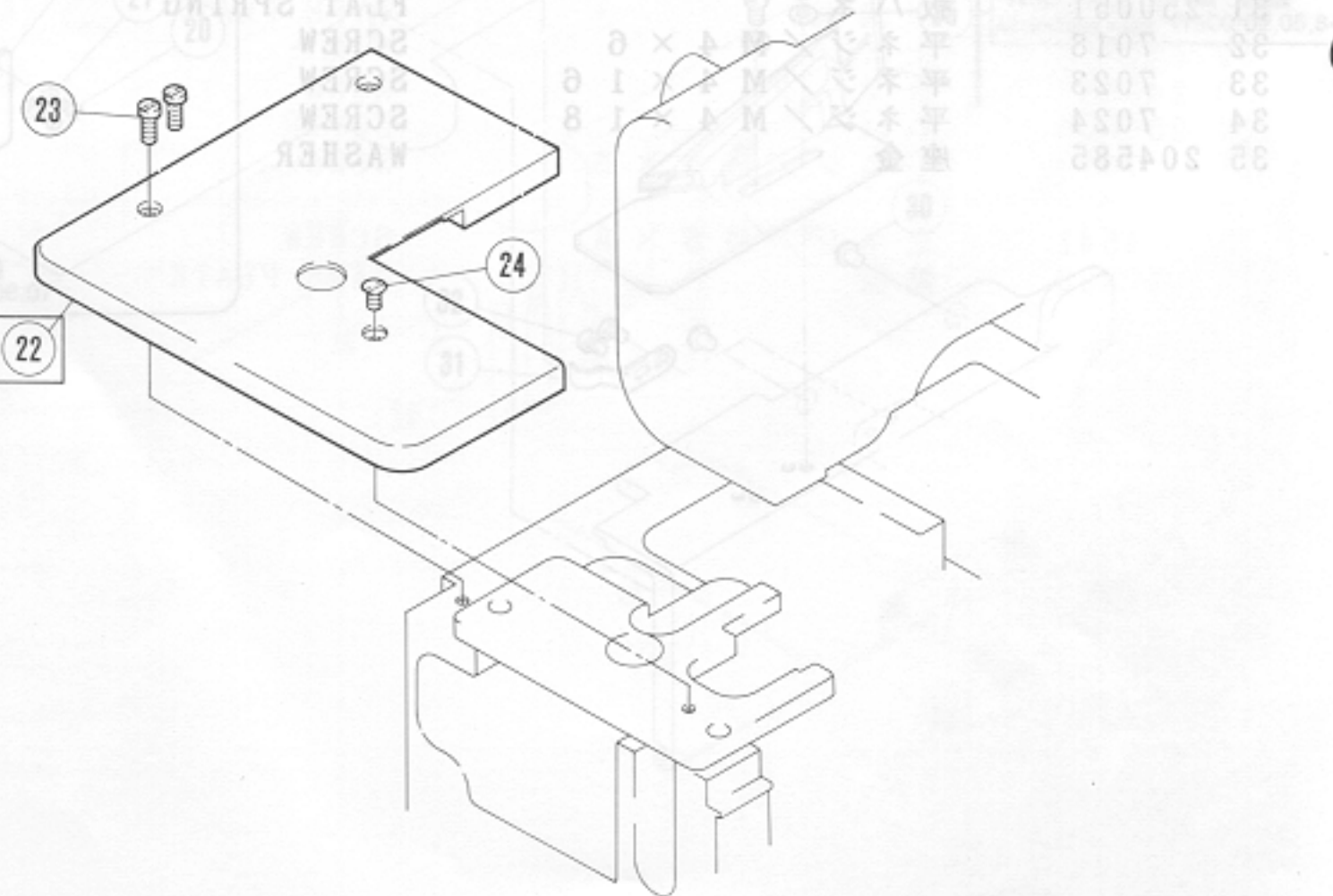
W541・561 Series

W541・561-05を除く全機種
All subclasses except W541・561-05

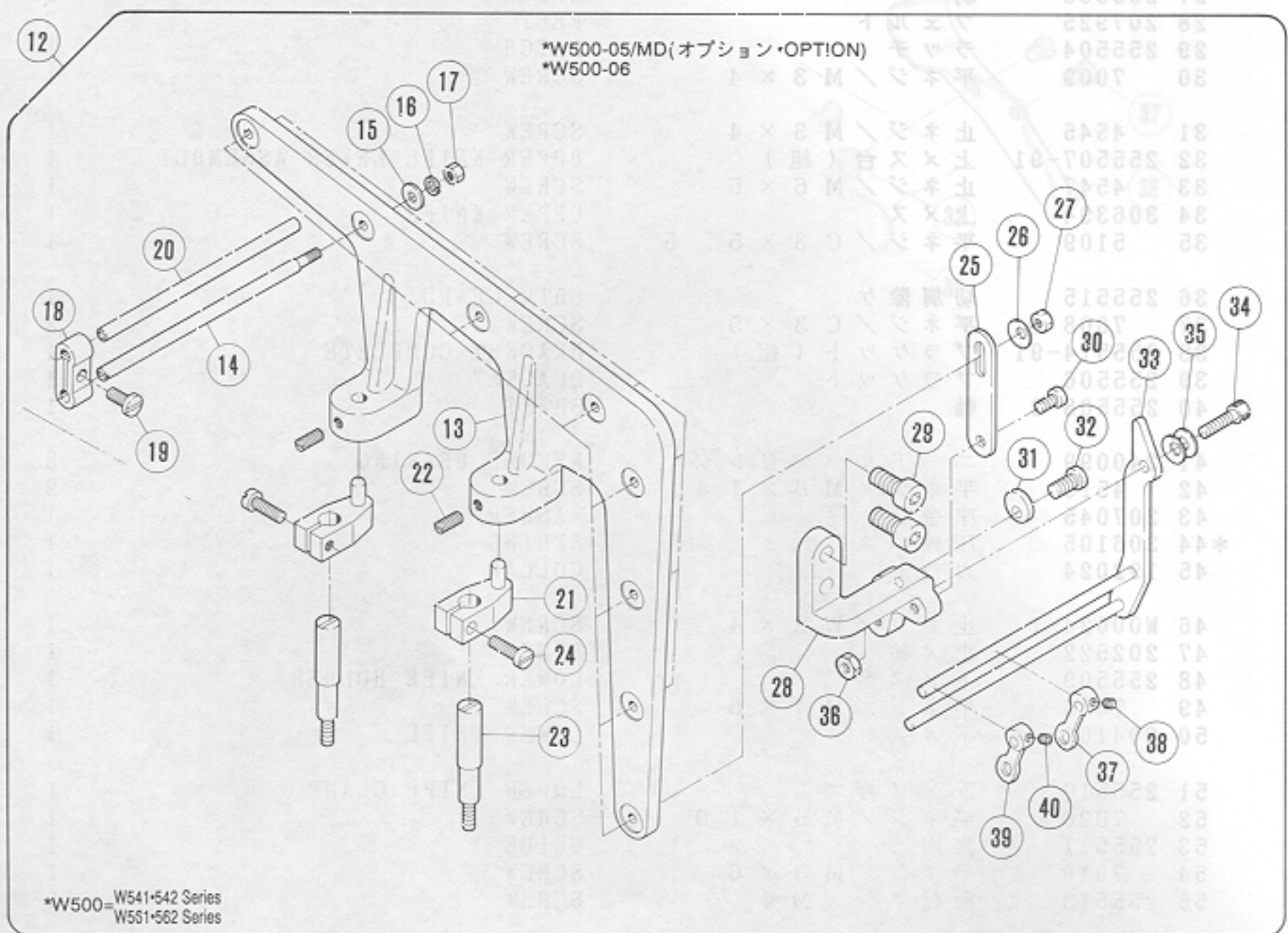
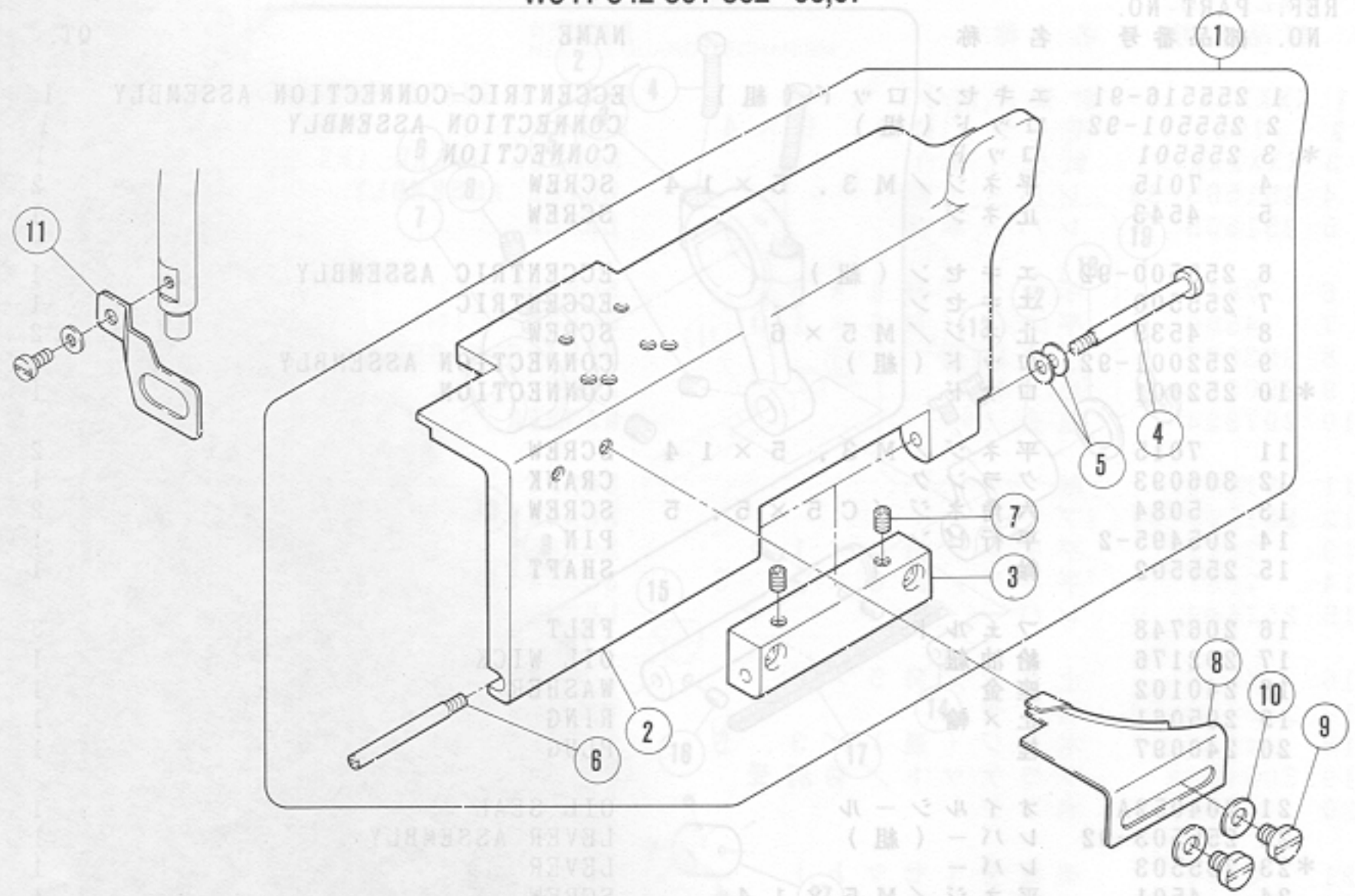


W542・562 Series

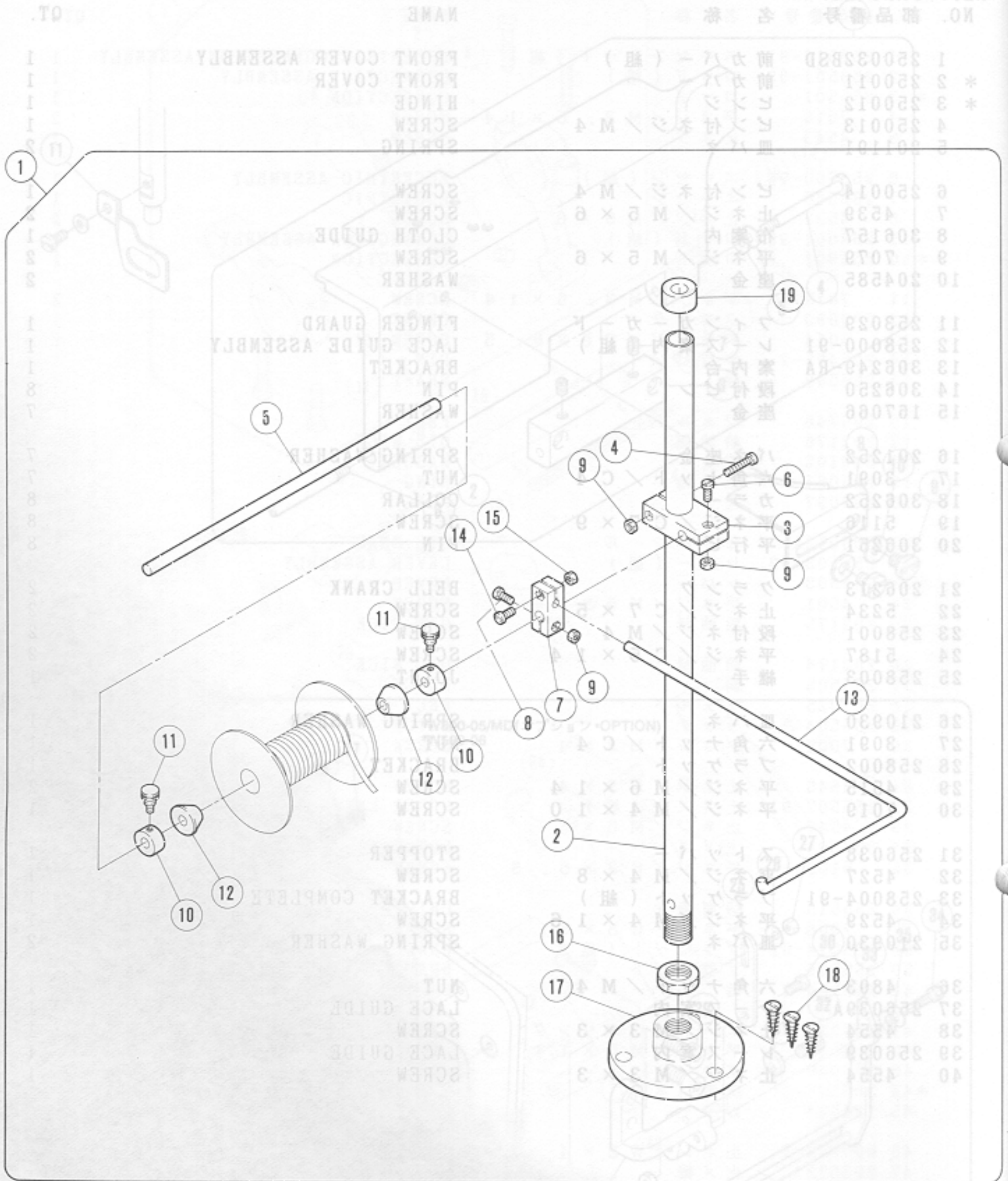
W542・562-05を除く全機種
All subclasses except W542・562-05



W541-542-561-562 - 06,07



W541・542・561・562 - 05,06,07



*W500=W541・542 Series
W561・562 Series

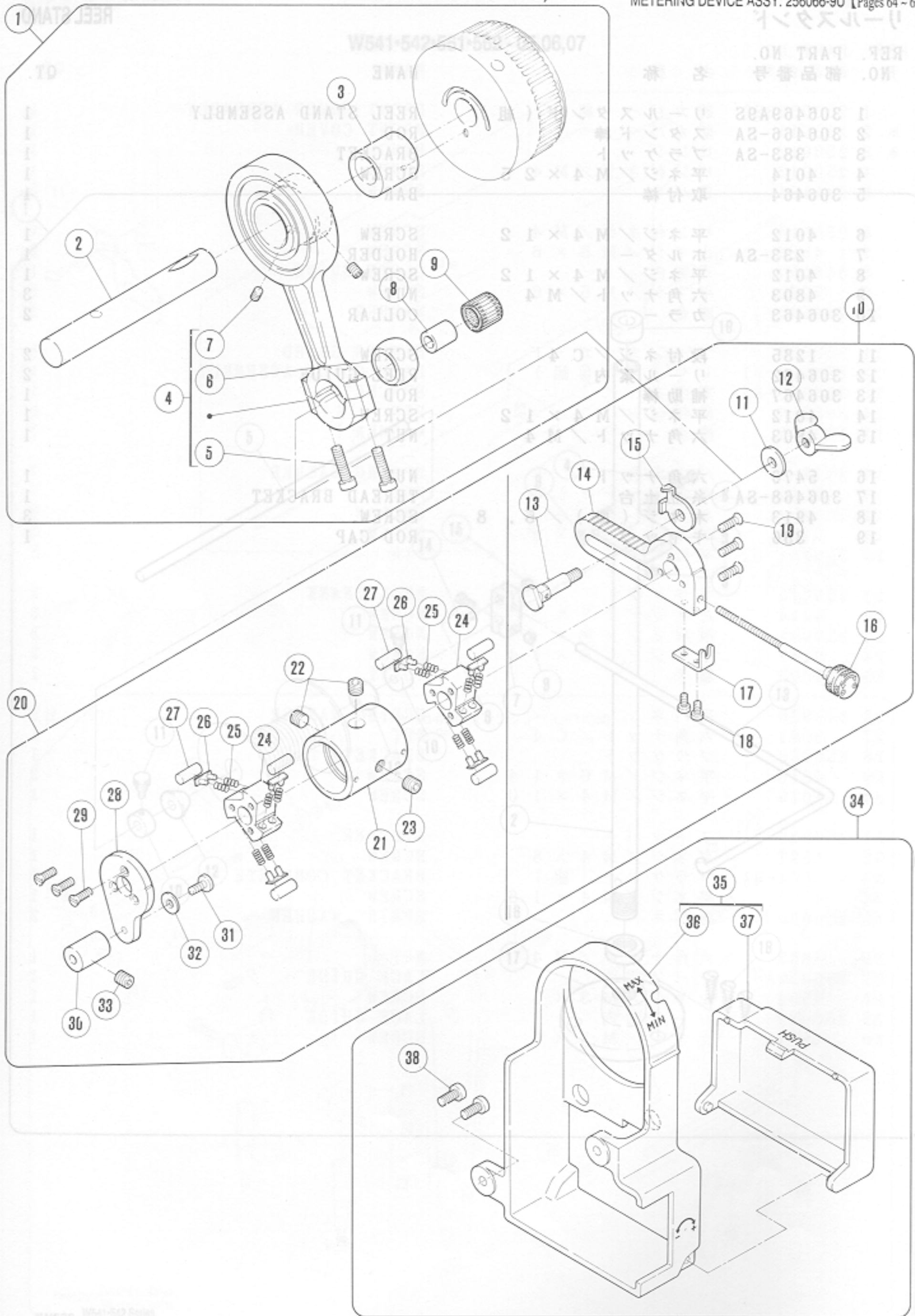
専用部品(9)

SPECIFIC PARTS (9)

リールスタンド

REEL STAND

REF. NO.	PART NO.	部品番号	名称	NAME	QT.
1	306469A9S		リールスタンド (組)	REEL STAND ASSEMBLY	1
2	306466-SA		スタンド棒	ROD	1
3	2561383-SA		ブラケット	BRACKET	1
4	2564014-91		平ネジ / M 4 × 2.5	SCREW	1
5	306464-91		取付棒 (組)	BAR	1
6	4012		平ネジ / M 4 × 1.2	SCREW	1
7	2561233-SA		ホルダー	HOLDER	1
8	4012		平ネジ / M 4 × 1.2	SCREW	1
9	3064803		六角ナット / M 4	NUT	3
10	306463		カラー	COLLAR	2
11	2561285-91		段付ネジ / C 4	SCREW	2
12	306462		リール案内	REEL GUIDE	2
13	306467		補助棒	ROD	1
14	2564012		平ネジ / M 4 × 1.2	SCREW	1
15	2564803		六角ナット / M 4	NUT	1
16	2565476		六角ナット / M 3	NUT	1
17	306468-SA		糸立土台	THREAD BRACKET	1
18	2564913		木ネジ (皿) / 5.8	SCREW	3
19	71386		キャップ	ROD CAP	1
19	7083		皿ネジ / M 4 × 1.0	SCREW	3
20	256049-91Y		クラッチ (組)	CLUTCH ASSEMBLY	1
21	256048		スリーブ	SLEEVE	1
22	4547		止ネジ / M 6 × 5	SCREW	2
23	4548		止ネジ / M 6 × 8	SCREW	1
24	256012		クラッチ	CLUTCH	2
25	240114A		圧縮バネ	SPRING	1
26	306243		案内板 (組)	GUIDE PLATE ASSEMBLY	1
27	306500		平行ピン	PIN	6
28	256011		止メ板	STOP PLATE	1
29	7083		皿ネジ / M 4 × 1.0	SCREW	3
30	306500		平行ピン	PIN	1
31	5117		平ネジ / C 5 × 8.5	SCREW	1
32	201185		銅金	WASHER	1
33	4514		止ネジ / M 5 × 5	SCREW	1
34	250214-91C		カバー (組)	COVER ASSEMBLY	1
35	250070-91		M D カバー (組)	COVER ASSEMBLY	1
36	250067-UB		カバー	COVER	1
37	250068-UB		カバー	COVER	1
38	7020		平ネジ / M 4 × 1.0	SCREW	2



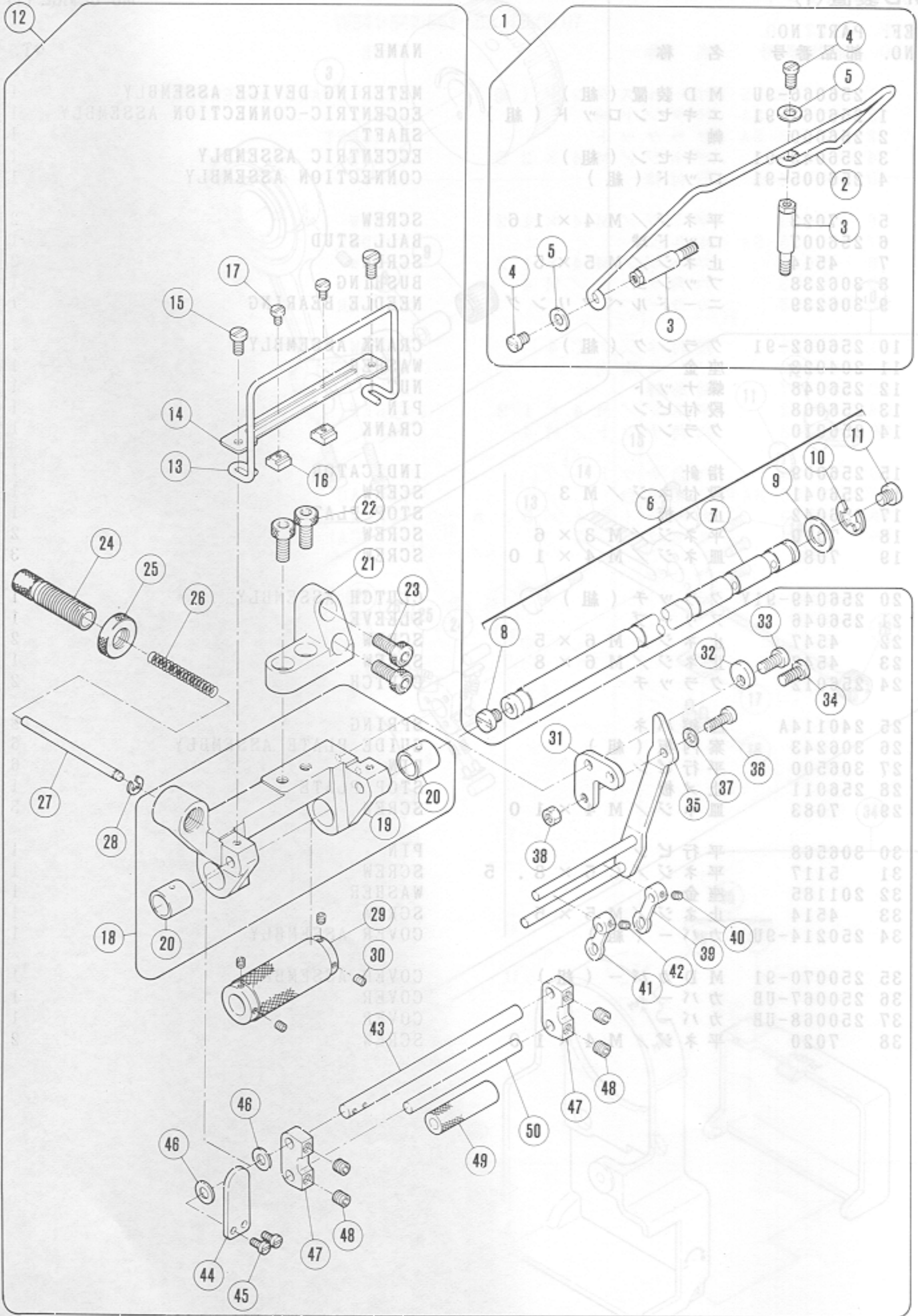
専用部品(10)

MD装置(1)

SPECIFIC PARTS (10)

MD DEVICE (1)

REF. NO.	PART NO.	部品番号	名称	NAME	QT.
	256066-9U		MD装置(組)	METERING DEVICE ASSEMBLY	1
1	256061-91		エキセンロッド(組)	ECCENTRIC-CONNECTION ASSEMBLY	1
2	256000		軸	SHAFT	1
3	256043-91		エキセン(組) × 10	ECCENTRIC ASSEMBLY	1
4	256005-91		ロッド(組)	CONNECTION ASSEMBLY	1
5	7023		平ネジ / M 4 × 1 6	SCREW	2
6	256007		ロッド球	BALL STUD	1
7	4514		止ネジ / M 5 × 5	SCREW	2
8	306238		ブッシュ	BUSHING	1
9	306239		ニードルベアリング	NEEDLE BEARING	1
10	256062-91		クランク(組) × 5	CRANK ASSEMBLY	1
11	204023		座金	WASHER	1
12	256048		蝶ナット	NUT	1
13	256008		段付ピン	PIN	1
14	256010		クランク	CRANK	1
15	256009		指針	INDICATOR	1
16	256041		段付ネジ / M 3 × 5	SCREW	1
17	256042		止メ板	STOP PLATE	1
18	7010		平ネジ / M 3 × 6	SCREW	2
19	7083		皿ネジ / M 4 × 1 0	SCREW	3
20	256049-91Y		クラッチ(組)	CLUTCH ASSEMBLY	1
21	256046		スリーブ	SLEEVE	1
22	4547		止ネジ / M 6 × 5	SCREW	2
23	4548		止ネジ / M 6 × 8	SCREW	1
24	256012		クラッチ	CLUTCH	2
25	240114A		圧縮バネ	SPRING	12
26	306243		案内板(組)	GUIDE PLATE ASSEMBLY	6
27	306500		平行ピン	PIN	6
28	256011		止メ板	STOP PLATE	1
29	7083		皿ネジ / M 4 × 1 0	SCREW	3
30	306568		平行ピン	PIN	1
31	5117		平ネジ / C 5 × 8 . 5	SCREW	1
32	201185		座金	WASHER	1
33	4514		止ネジ / M 5 × 5	SCREW	1
34	250214-9U		カバー(組)	COVER ASSEMBLY	1
35	250070-91		MDカバー(組)	COVER ASSEMBLY	1
36	250067-UB		カバー	COVER	1
37	250068-UB		カバー	COVER	1
38	7020		平ネジ / M 4 × 1 0	SCREW	2
40	4554		止ネジ / M 3 × 3	SCREW	
41	256039		レース案内	RACE GUIDE	
42	4554		止ネジ / M 3 × 3	SCREW	
43	256023		軸	SHAFT	
44	256024		レバー	LEVER	
45	7010		平ネジ / M 3 × 6	SCREW	
46	202433		座金	WASHER	
47	256047		ブラケット	BRACKET	
48	4514		止ネジ / M 5 × 5	SCREW	
49	256022		ローラー	ROLLER	
50	256025		軸	SHAFT	



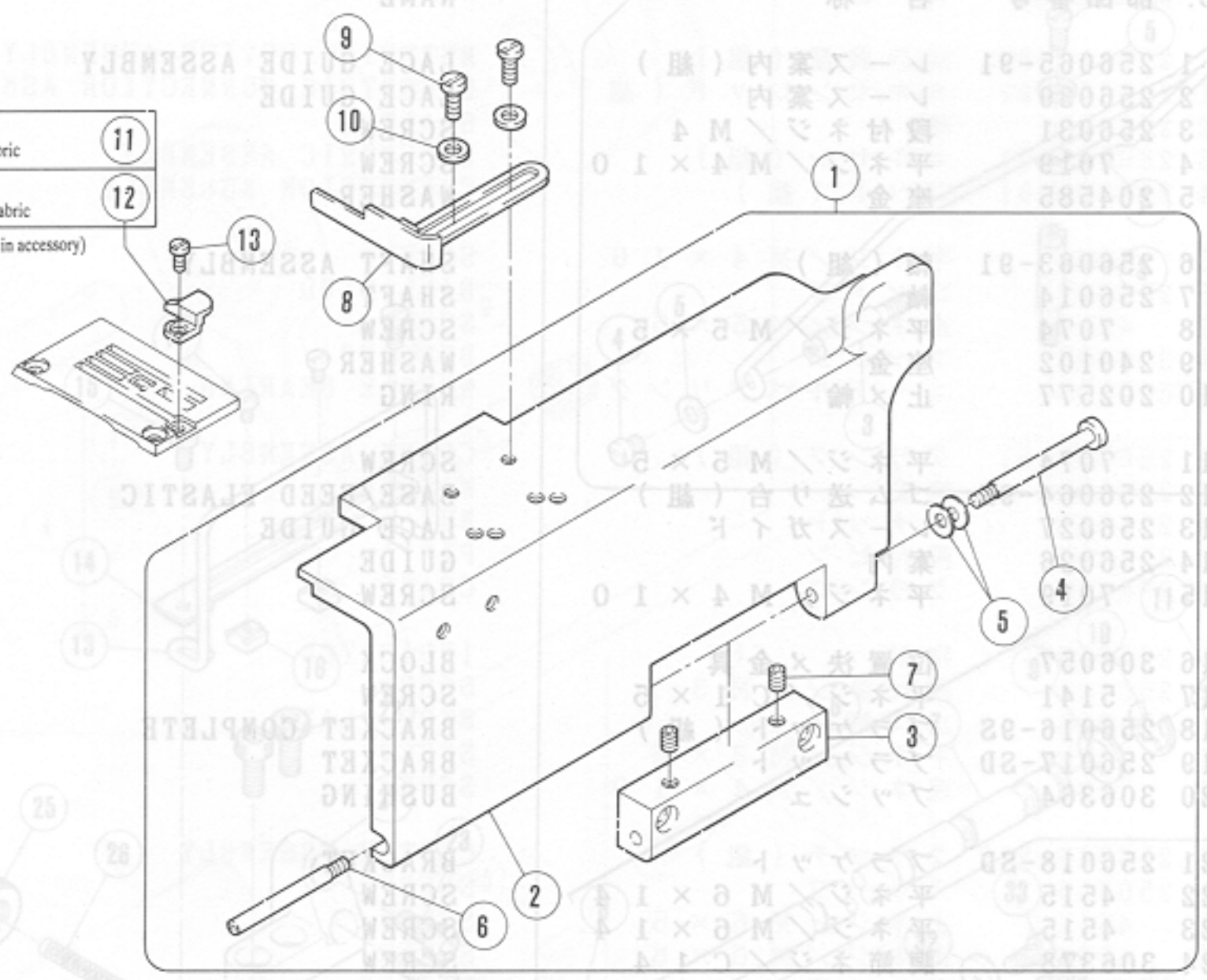
専用部品(11)
MD装置(2)

SPECIFIC PARTS (11)
MD DEVICE (2)

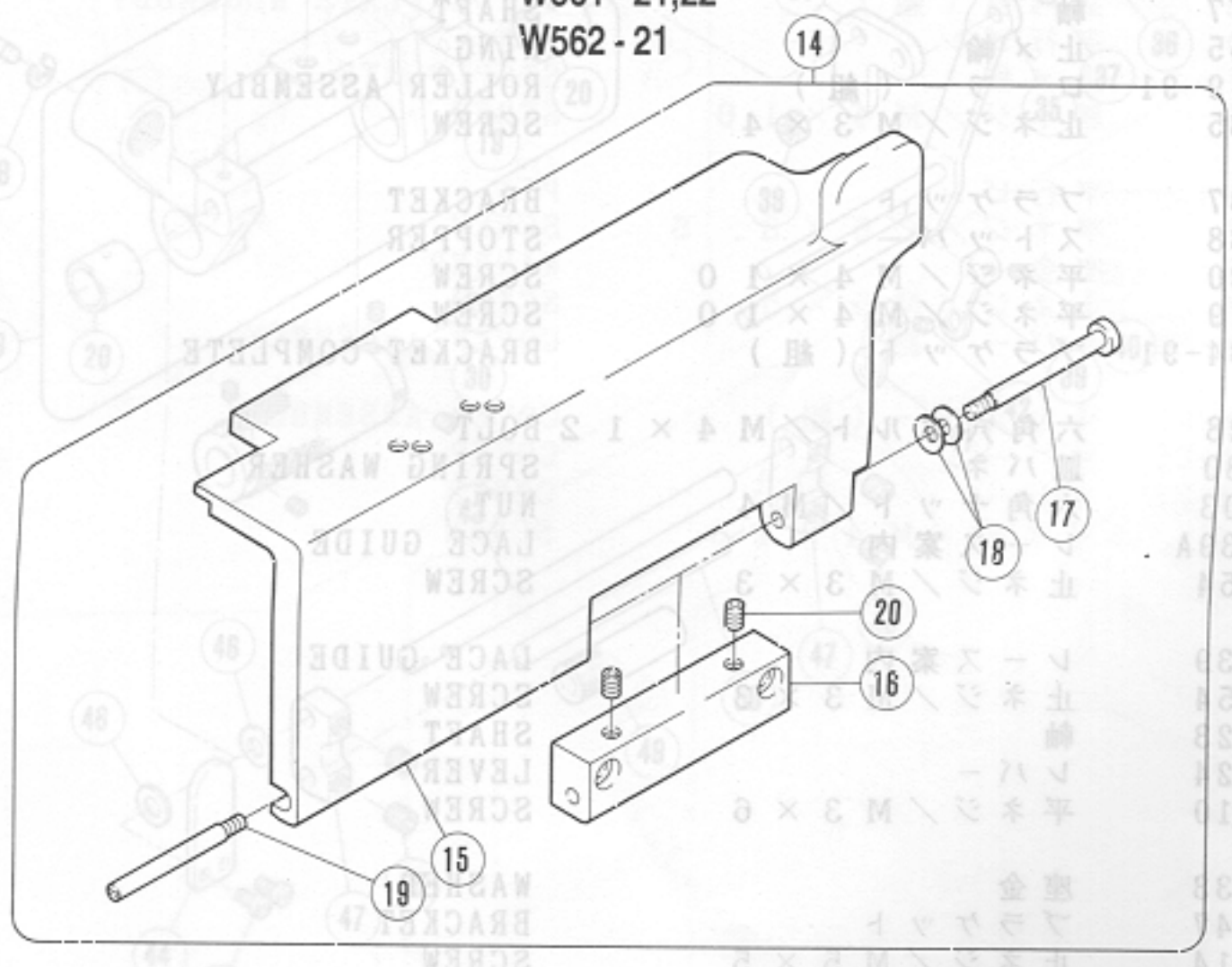
REF. NO.	PART NO. 部品番号	名称	NAME	QT.
1	256065-91	レース案内(組)	LACE GUIDE ASSEMBLY	1
*2	256030	レース案内	LACE GUIDE	1
*3	256031	段付ネジ/M4	SCREW	2
4	7019	平ネジ/M4×10	SCREW	2
5	204585	座金	WASHER	2
6	256063-91	軸(組)	SHAFT ASSEMBLY	1
7	256014	軸	SHAFT	1
8	7074	平ネジ/M5×5	SCREW	1
9	240102	座金	WASHER	1
10	202577	止メ輪	RING	1
11	7074	平ネジ/M5×5	SCREW	1
12	256064-9S	ゴム送り台(組)	BASE/FEED ELASTIC	1
13	256027	レースガイド	LACE GUIDE	1
14	256026	案内	GUIDE	1
*15	7019	平ネジ/M4×10	SCREW	2
*16	306057	位置決め金具	BLOCK	2
17	5141	平ネジ/C1×5	SCREW	2
18	256016-9S	ブラケット(組)	BRACKET COMPLETE	1
*19	256017-SD	ブラケット	BRACKET	1
20	306364	ブッシュ	BUSHING	2
21	256018-SD	ブラケット	BRACKET	1
22	4515	平ネジ/M6×14	SCREW	2
23	4515	平ネジ/M6×14	SCREW	2
24	306378	調節ネジ/C14	SCREW	1
25	210328A	調節ナット	ADJUSTING SCREW NUT	1
26	306376	圧縮バネ	SPRING	1
27	306377	軸	SHAFT	1
28	200555	止メ輪	RING	1
29	256019-91	ローラー(組)	ROLLER ASSEMBLY	1
30	4535	止ネジ/M3×4	SCREW	4
31	256037	ブラケット	BRACKET	1
32	256038	ストッパー	STOPPER	1
33	7020	平ネジ/M4×10	SCREW	1
34	7019	平ネジ/M4×10	SCREW	1
35	256034-91	ブラケット(組)	BRACKET COMPLETE	1
36	4528	六角穴ボルト/M4×12	BOLT	1
37	210930	皿バネ	SPRING WASHER	1
38	4803	六角ナット/M4	NUT	1
39	256039A	レース案内	LACE GUIDE	1
40	4554	止ネジ/M3×3	SCREW	1
41	256039	レース案内	LACE GUIDE	1
42	4554	止ネジ/M3×3	SCREW	1
43	256023	軸	SHAFT	1
44	256024	レバー	LEVER	1
45	7010	平ネジ/M3×6	SCREW	2
46	202433	座金	WASHER	2
47	256047	ブラケット	BRACKET	2
48	4514	止ネジ/M5×5	SCREW	4
49	256022	ローラー	ROLLER	1
50	256025	軸	SHAFT	1

W541-542-561-562 - 08

- 標準 (Standard)
- ⑪ 薄物用
For light weight fabric
 - ⑫ 厚物用
For heavy weight fabric
 - 付属品に挿入 (Put in accessory)



W561 - 21,22
 W562 - 21



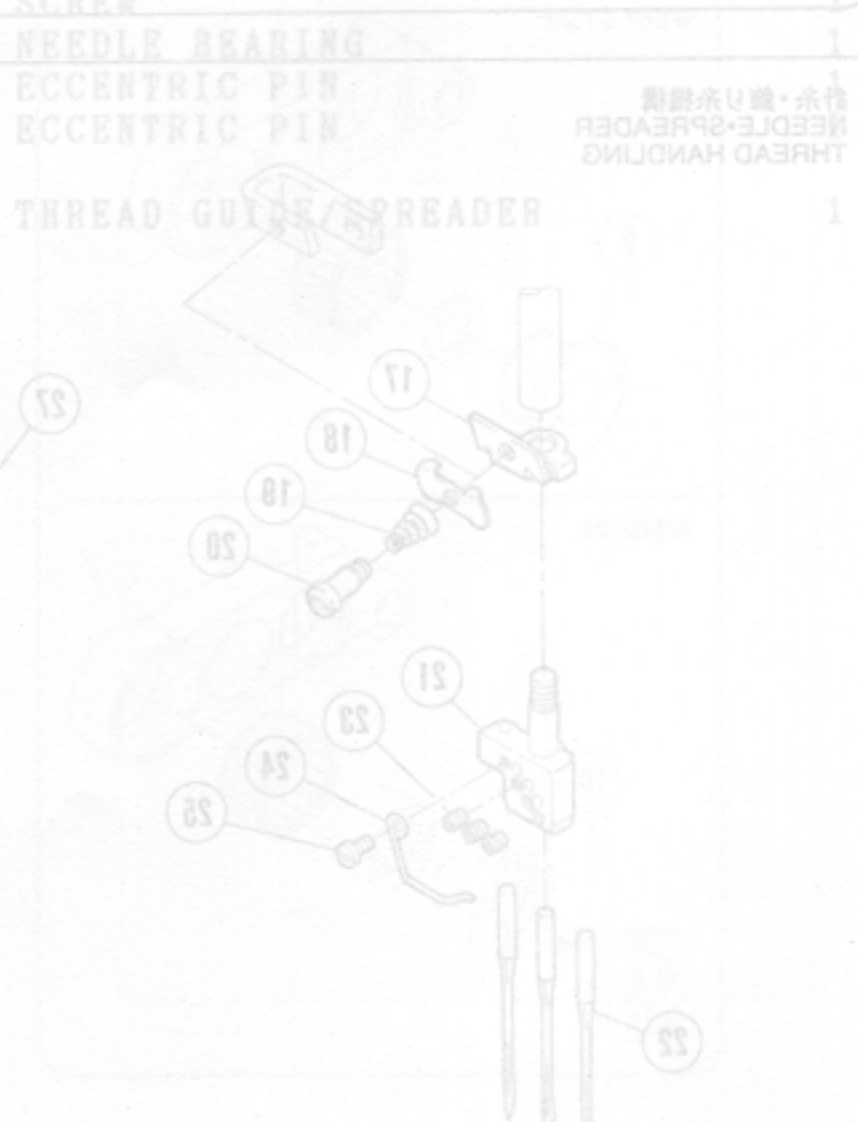
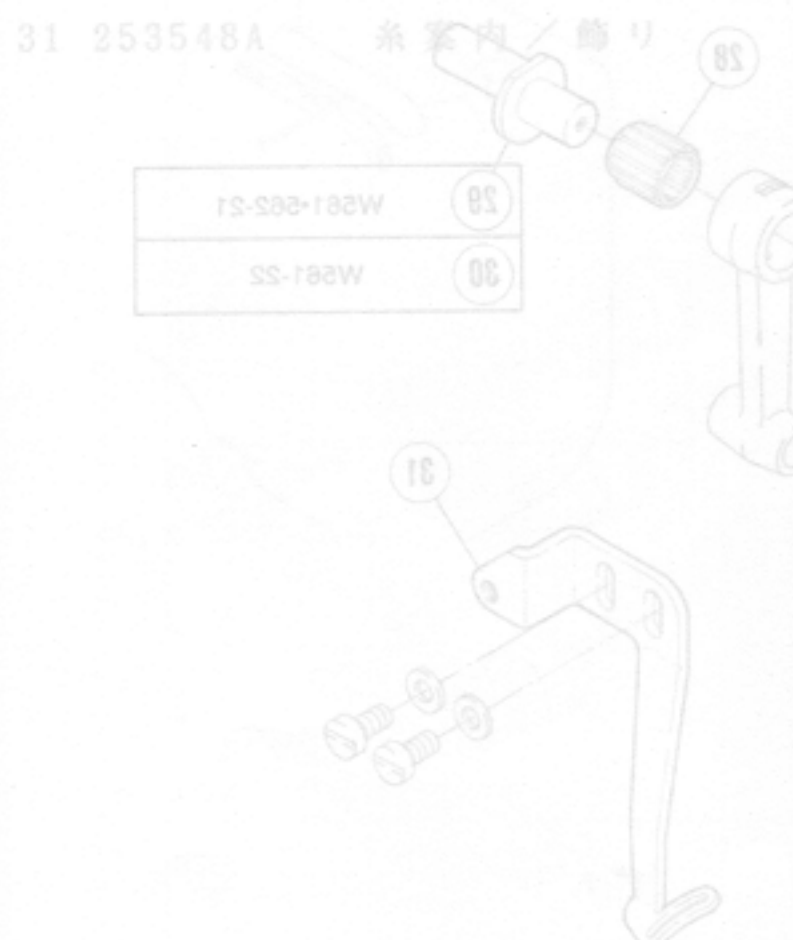
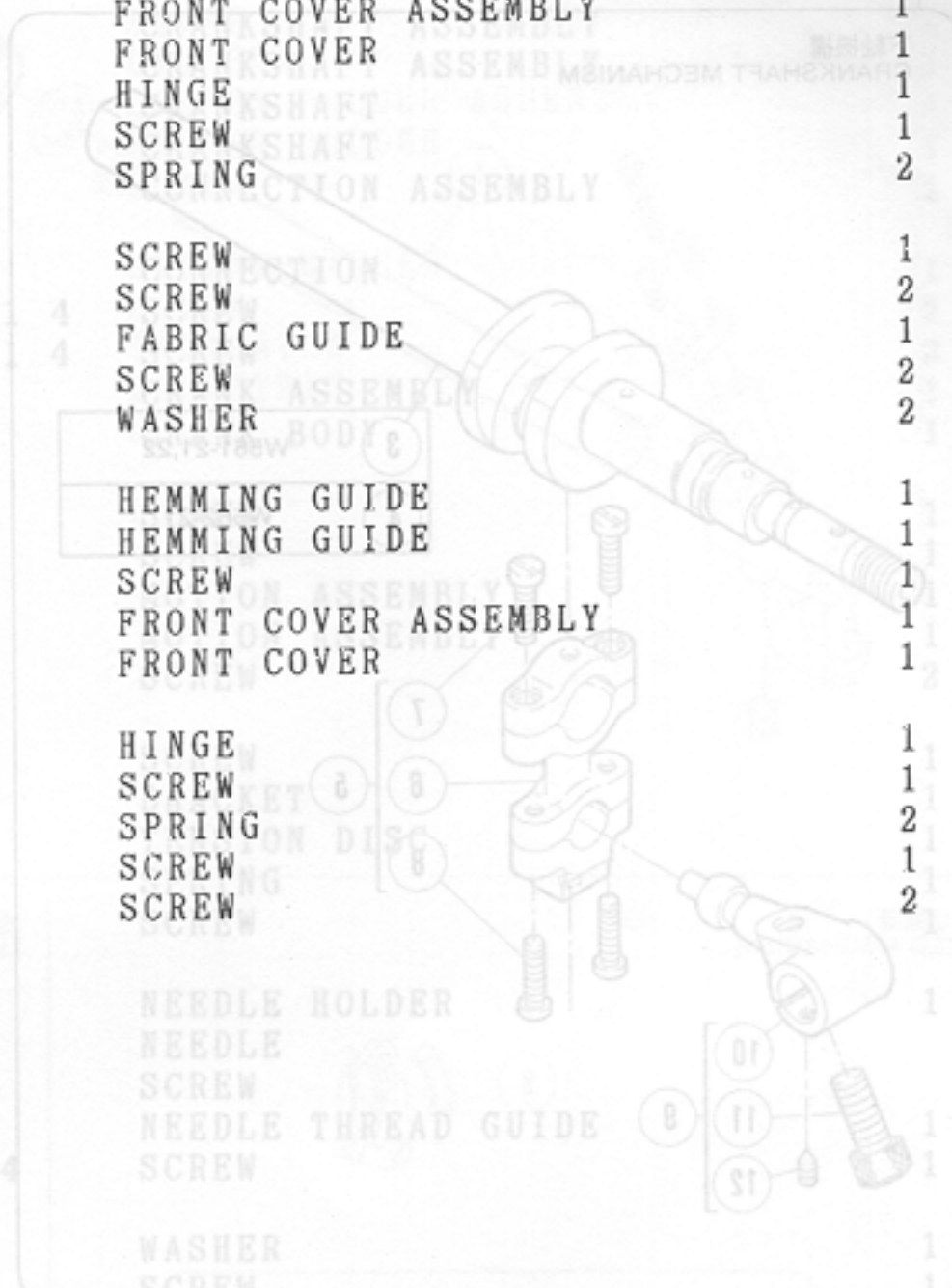
専用部品(12)

SS, IS-182W
IS-582W

SPECIFIC PARTS (12)

REF. NO.	PART NO.	部品番号	名称
	1	250032BSD	前カバー (組)
*	2	250011B	前カバー
*	3	250012	ヒンジ
*	4	250013	ピン付ネジ / M 4
	5	201191	皿バネ
	6	250014	ピン付ネジ / M 4
	7	4539	止ネジ / M 5 × 6
	8	258013-91	布案内
	9	7020	平ネジ / M 4 × 10
	10	303448	座金
	11	257571	裾引定規
	12	257572	裾引定規
	13	7120	平ネジ / M 2 × 3
	14	250032-SD	前カバー (組)
*	15	250011	前カバー
*	16	250012	ヒンジ
	17	250013	ピン付ネジ / M 4
	18	201191	皿バネ
	19	250014	ピン付ネジ / M 4
	20	4539	止ネジ / M 5 × 6
	21	XXXXXX	針留
	22	XXXXXX	針
	23	4554	止ネジ / M 3 × 3
	24	251008	針糸案内
	25	7031	平ネジ / M 2.5 × 4
	26	205097	座金
	27	7041	皿ネジ / M 3 × 6
	28	240098	ニードルベアリング
	29	251010A	エキセンピン
	30	251010	エキセンピン

NAME	QT.
FRONT COVER ASSEMBLY	1
FRONT COVER	1
HINGE	1
SCREW	1
SPRING	2
SCREW	1
SCREW	2
FABRIC GUIDE	1
SCREW	2
WASHER	2
HEMMING GUIDE	1
HEMMING GUIDE	1
SCREW	1
FRONT COVER ASSEMBLY	1
FRONT COVER	1
HINGE	1
SCREW	1
SPRING	2
SCREW	1
SCREW	2



XXXXXXはゲージパーツです。
102-115頁のゲージパーツ表で確認してください。

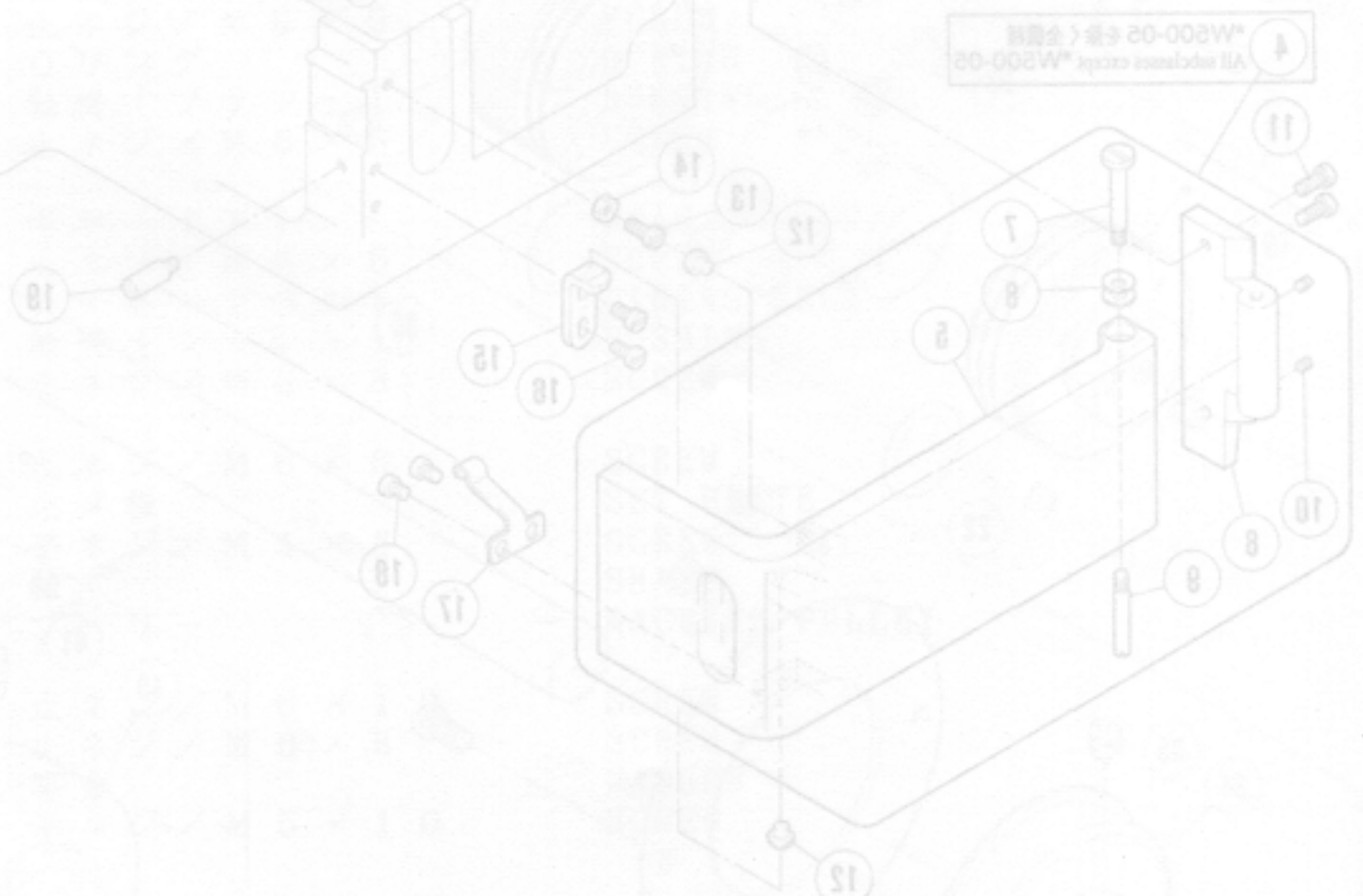
XXXXXX is one of the gauge parts.
Please confirm the correct part by the gauge parts lists on pages 102-115.

* =販売不可 (Not for sale.)

カバー機構(2)

COVER (2)

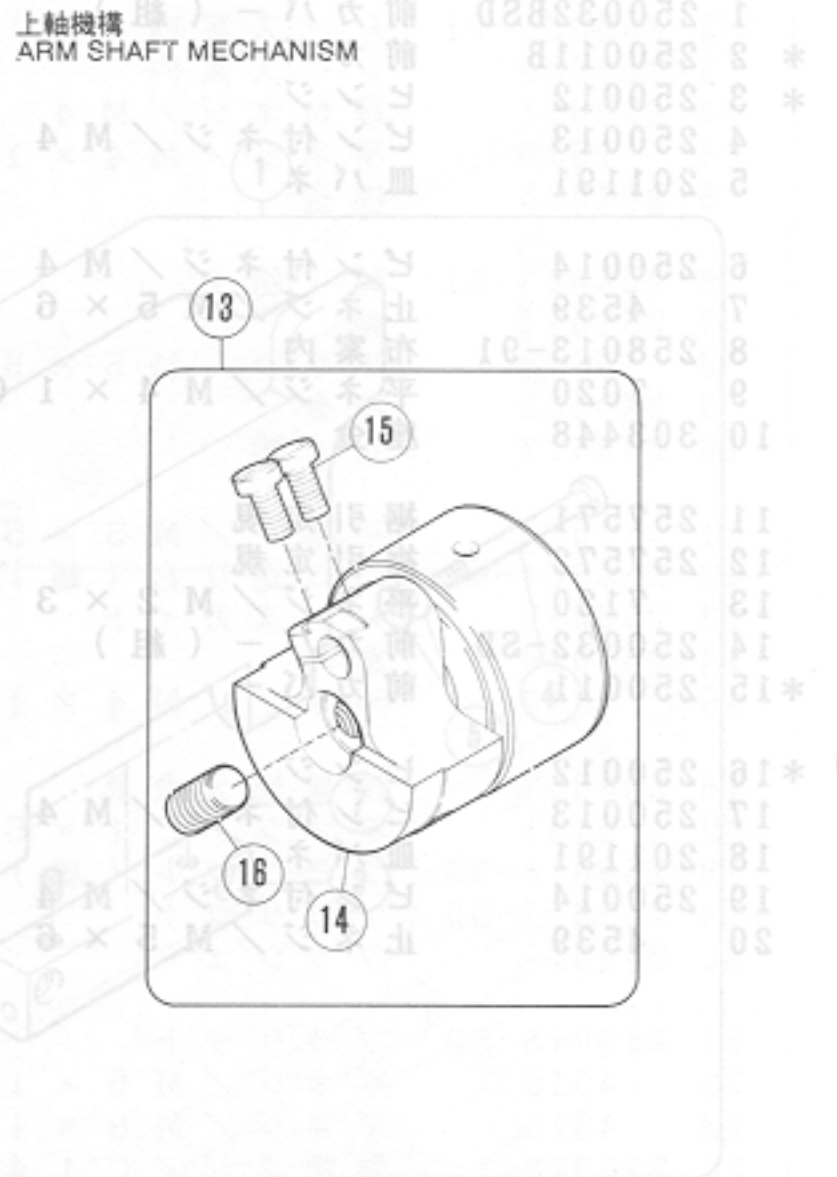
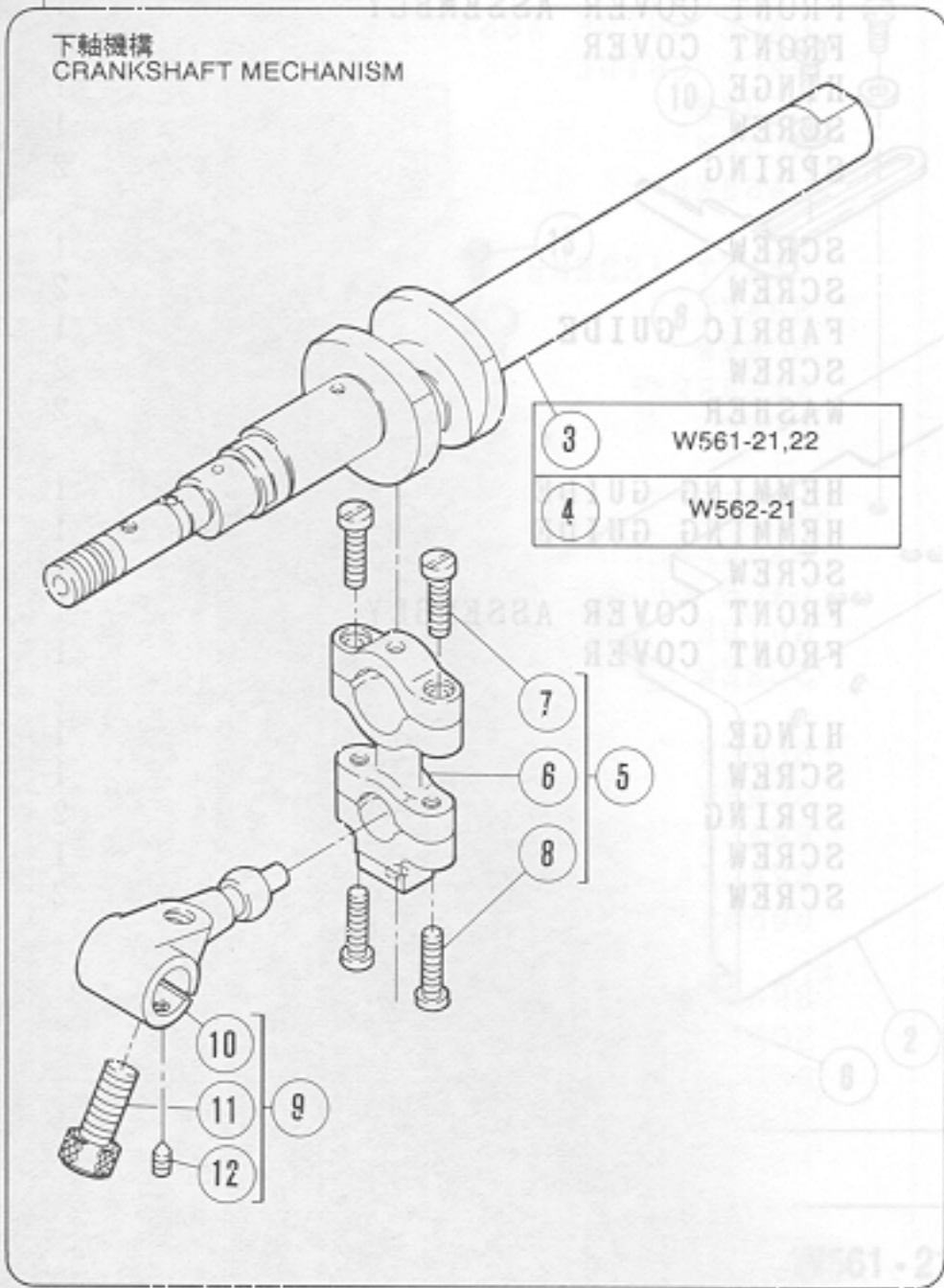
REF. NO.	PART NO. 部品番号	名称	NAME	QT.
1	250052-SD	ベッドカバー(左)	BED COVER (LEFT)	1
2	7021	平ネジ / M 4 × 1 2	SCREW	2
3	7043	皿ネジ / M 4 × 8	SCREW	1
4	205088	栓	PLUG	1
* 5	1457-1	止ネジ / C 5 × 3 . 3	SCREW	1
6	5429	止ネジ / C 5 × 4 . 7	SCREW	1
7	250062	カバー	COVER	1
8	7019	平ネジ / M 4 × 1 0	SCREW	1
9	250046	油除ケ	OIL SHIELD	1
10	5422	段付ネジ / C 5	SCREW	1
11	211301	皿バネ	SPRING WASHER	3
12	250040	ブラケット	BRACKET	1
13	7019	平ネジ / M 4 × 1 0	SCREW	5
14	250060-91	カバー(組)	COVER ASSEMBLY	1
*15	250042	カバー	COVER	1
*16	250043	ヒンジ	HINGE	1
*17	250044	平行ピン	PIN	1
18	250045	板バネ	FLAT SPRING	1
19	7012	平ネジ / M 3 . 5 × 6	SCREW	2
20	7017	平ネジ / M 4 × 5	SCREW	2
21	167066	座金	WASHER	2
22	250052BSD	ベッドカバー(左)	BED COVER (LEFT)	1
23	7021	平ネジ / M 4 × 1 2	SCREW	2
24	7043	皿ネジ / M 4 × 8	SCREW	1



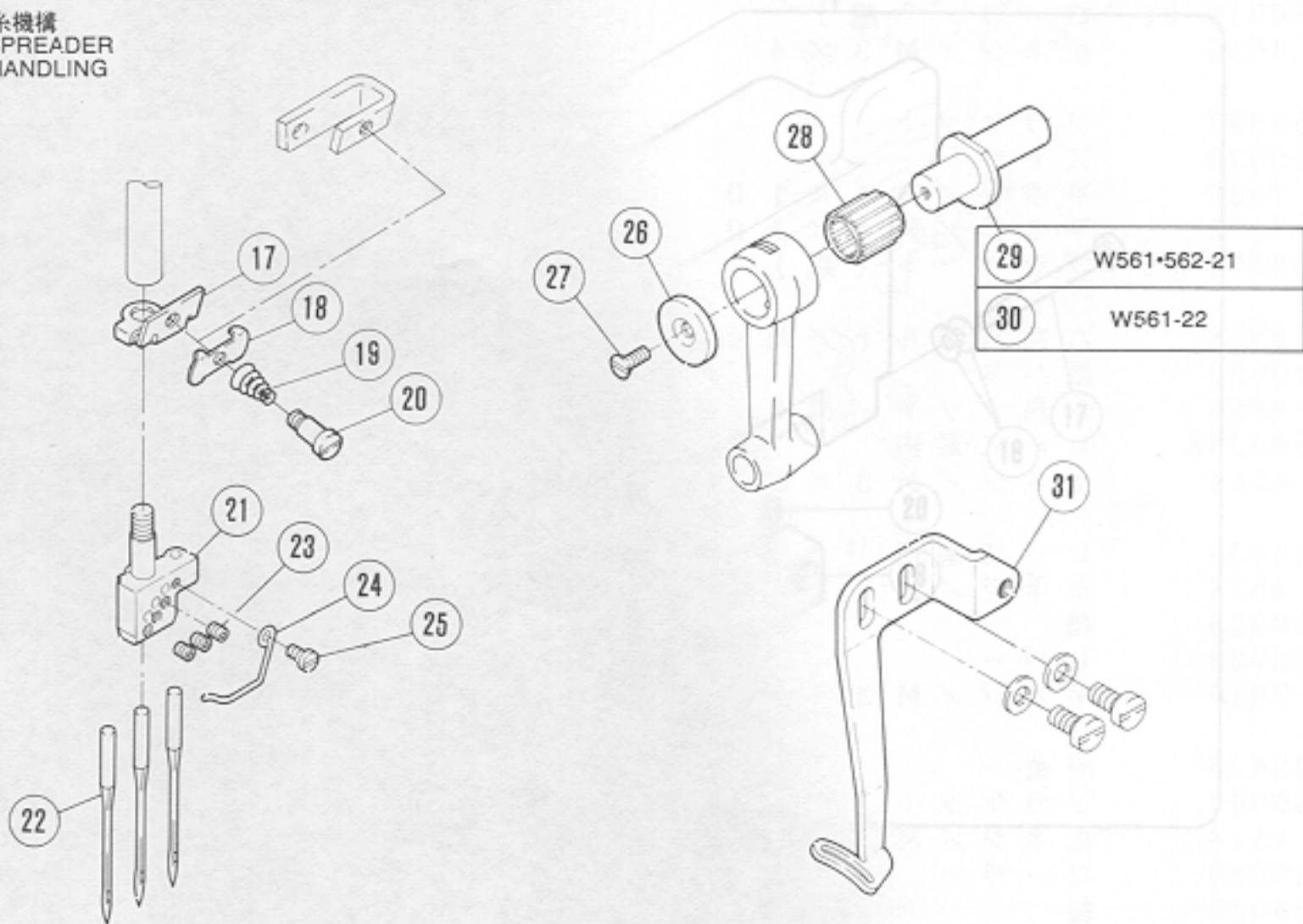
* =販売不可 (Not for sale.)

W500-05 4本 (全組)
20-002W

1	W561-21,22
2	W562-21



針糸・飾り糸機構
NEEDLE-SPREADER
THREAD HANDLING



専用部品(13)

SS, IS-182W
IS-322W

SPECIFIC PARTS (13)

REF. NO.	PART NO.	部品番号	名称	NAME	QT.
1	250531C91		クランク軸 (組)	CRANKSHAFT ASSEMBLY	1
2	250532C91		クランク軸 (組)	CRANKSHAFT ASSEMBLY	1
* 3	250500C		クランク軸 (組)	CRANKSHAFT ASSEMBLY	1
* 4	250501C91		クランク軸	CRANKSHAFT	1
5	252009-92		ロッド (組) × 1 4	CONNECTION ASSEMBLY	1
* 6	252009		ロッド	CONNECTION	1
7	7015		平ネジ / M 3 . 5 × 1 4	SCREW	2
8	7015		平ネジ / M 3 . 5 × 1 4	SCREW	2
9	252008-92		クランク (組)	CRANK ASSEMBLY	1
10	252008		クランク本体	CRANK BODY	1
11	4534		平ネジ / M 6 × 1 4	SCREW	1
12	4545		止ネジ / M 3 × 4	SCREW	1
13	250526C91		モーション (組)	MOTION ASSEMBLY	1
* 14	250516C92		モーション (組)	MOTION ASSEMBLY	1
15	7028		平ネジ / M 5 × 1 0	SCREW	2
16	4592		止ネジ / M 8 × 1 5	SCREW	1
17	253584B		調子台	BRACKET	1
18	253593		小調子皿	TENSION DISC	1
19	253517		調子バネ	SPRING	1
20	W09070-2		段付ネジ / W 5	SCREW	1
21	XXXXXX		針留	NEEDLE HOLDER	1
22	XXXXXX		針	NEEDLE	1
23	4554		止ネジ / M 3 × 3	SCREW	1
24	251008		針糸案内	NEEDLE THREAD GUIDE	1
25	7031		平ネジ / M 2 . 5 × 4	SCREW	1
26	205097		座金	WASHER	1
27	7041		皿ネジ / M 3 × 6	SCREW	1
28	240098		ニードルベアリング	NEEDLE BEARING	1
29	251010A		エキセンピン	ECCENTRIC PIN	1
30	251010		エキセンピン	ECCENTRIC PIN	1
31	253548A		糸案内 / 飾り	THREAD GUIDE/SPREADER	1

XXXXXXはゲージパーツです。
102-115頁のゲージパーツ表で確認してください。

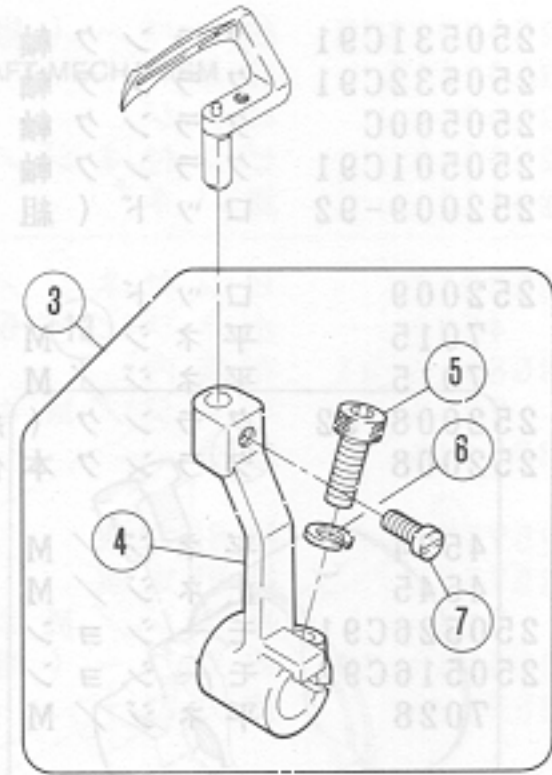
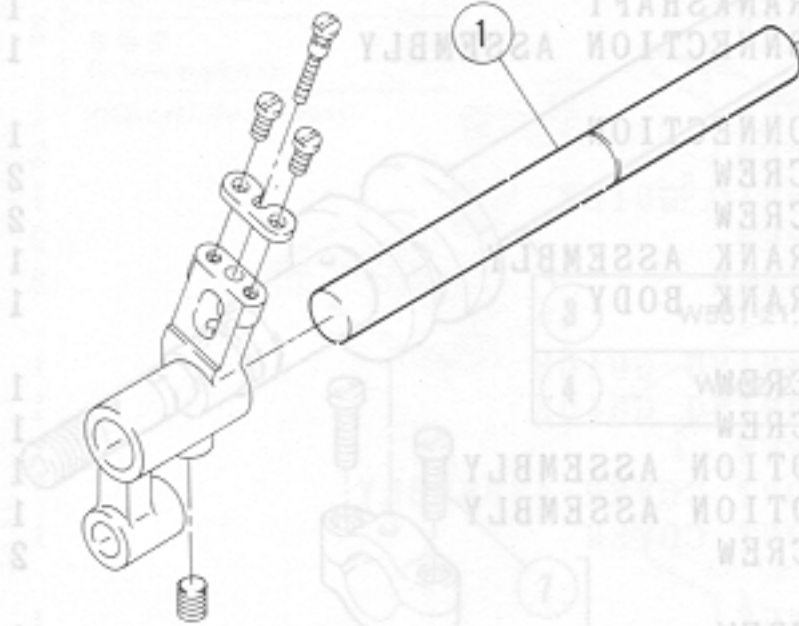
*=販売不可 (Not for sale.)

XXXXXX is one of the gauge parts.
Please confirm the correct part by the gauge parts lists on pages 102~115.

ルーバー機構
LOOPER MECHANISM

W562-21

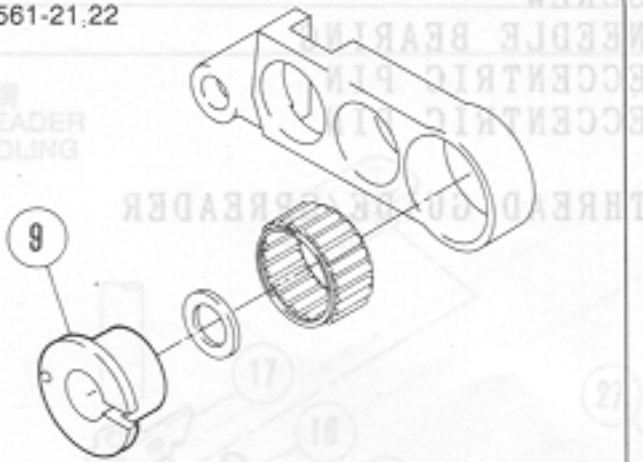
NAME



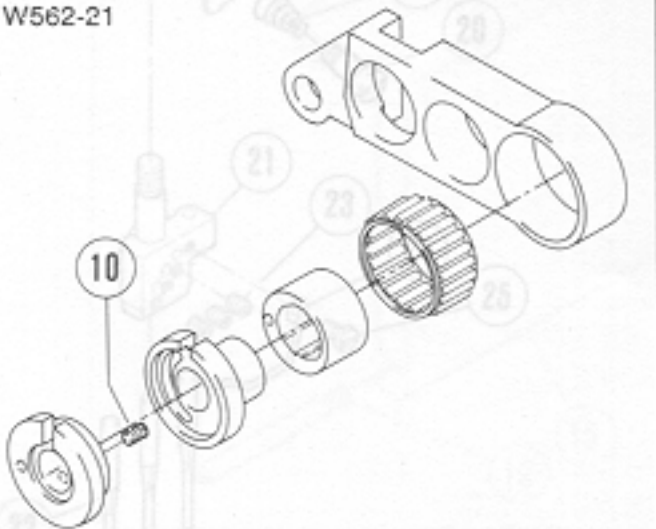
送り機構
FEED MECHANISM



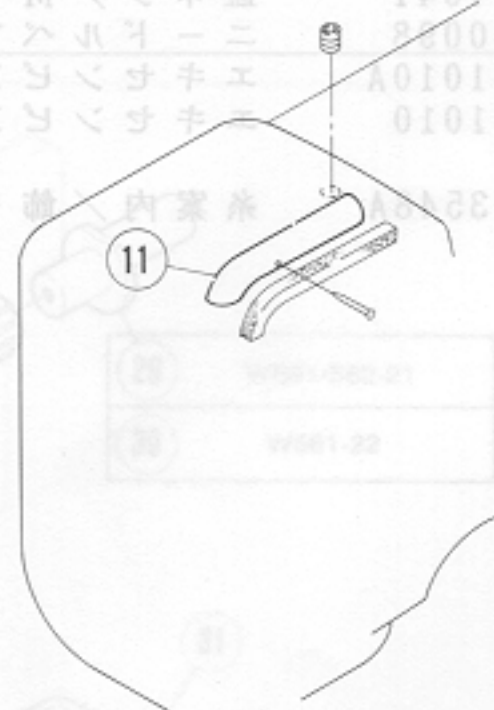
W561-21,22



W562-21

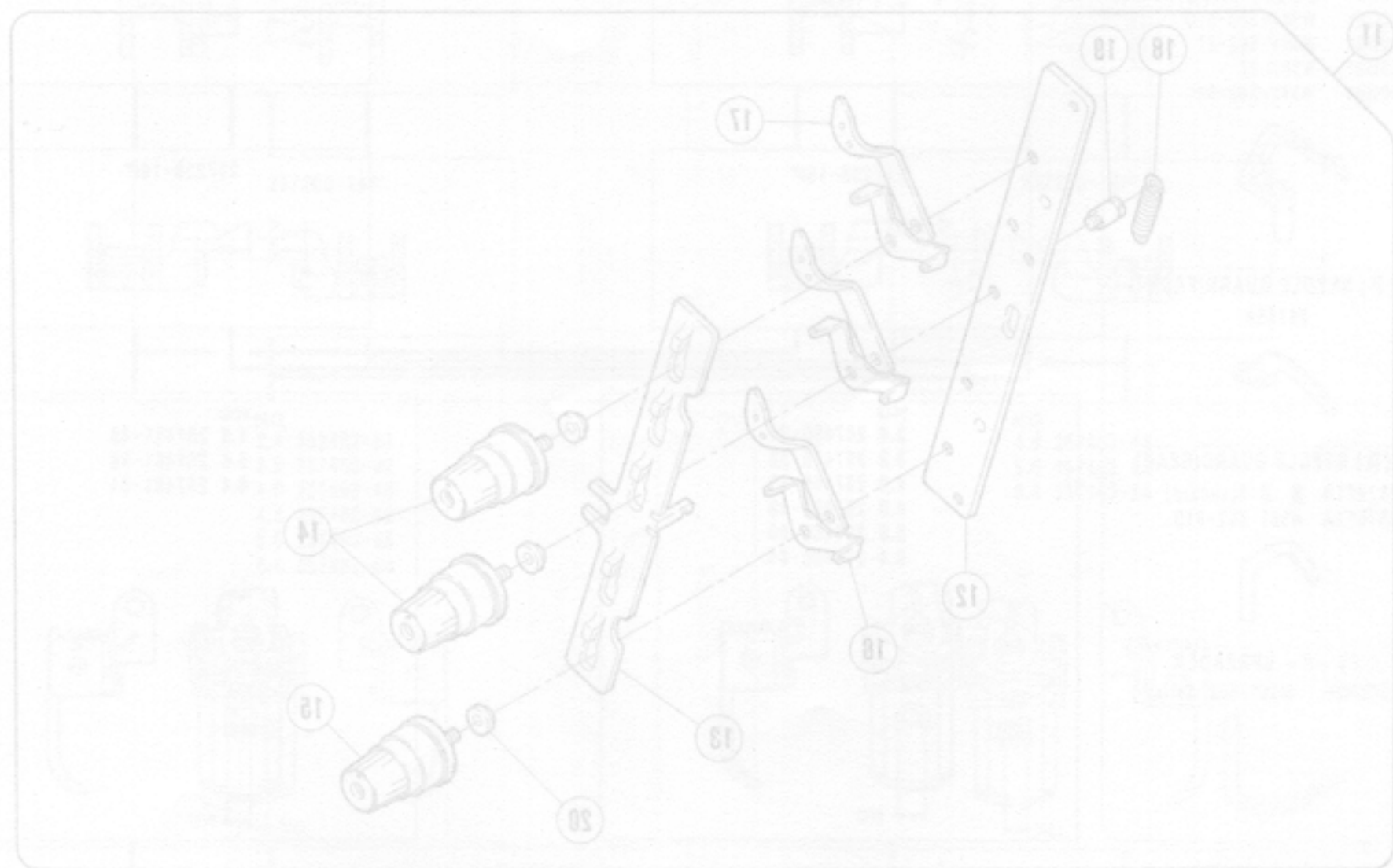


給油機構
LUBRICATION MECHANISM



48-543-1A3W

REF. NO.	PART NO. 部品番号	名称	NAME	QT.
1	252004A SD	軸カバー (組)	SHAFT COVER ASSEMBLY	1
*	2 204052A	オイルシール	OIL SEAL	1
*	3 252007A92	ルーパ-台 (組)	LOOPER HOLDER ASSEMBLY	1
*	4 252007A	ルーパ-台 / M 4	LOOPER HOLDER	1
5	4501	平ネジ / M 5 × 1 4	SCREW	1
6	303067	バネ座金 / M 4	SPRING WASHER	1
7	7086	平ネジ / M 4 × 7	SCREW	1
8	252517	指針	INDICATOR	1
9	252512	エキセン	ECCENTRIC	1
10	7080	ピン付ネジ / M 2	SCREW	1
11	255003 SD	パイプ	PIPE	1
12	254019	ブラケット	BRACKET	1
13	254021	糸巻メ	THREAD RELEASE	1
14	254010B9U	糸巻子 (組) (中)	THREAD TENSION COMPLETE	2
15	254010C9U	糸巻子 (組) (新)	THREAD TENSION COMPLETE	1
16	254020	糸道	THREAD GUIDE	3
17	206203	糸道	THREAD GUIDE	3
18	306301	引張リバネ	SPRING	1
19	5447	段付ネジ / C 5	SCREW	1
20	206202	スベ	TENSION POST COLLAR	1



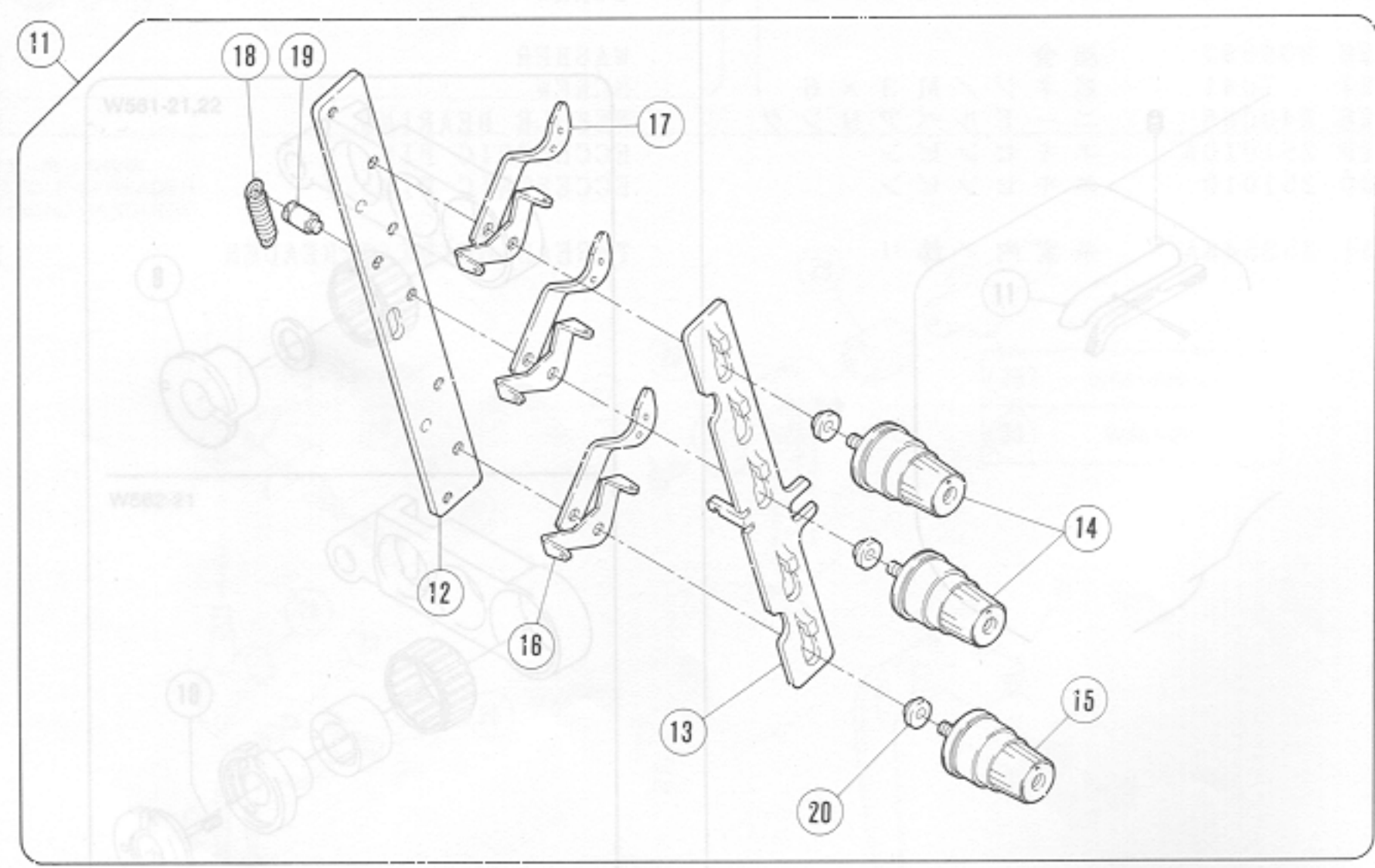
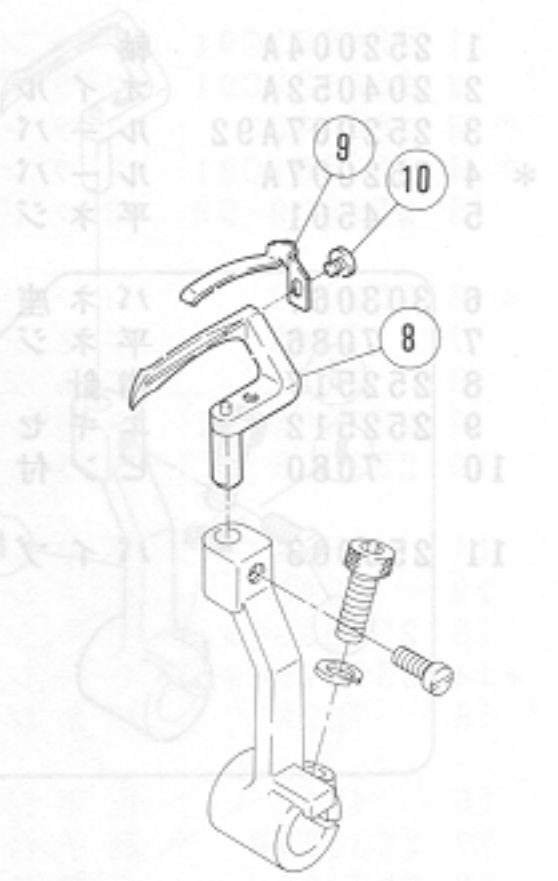
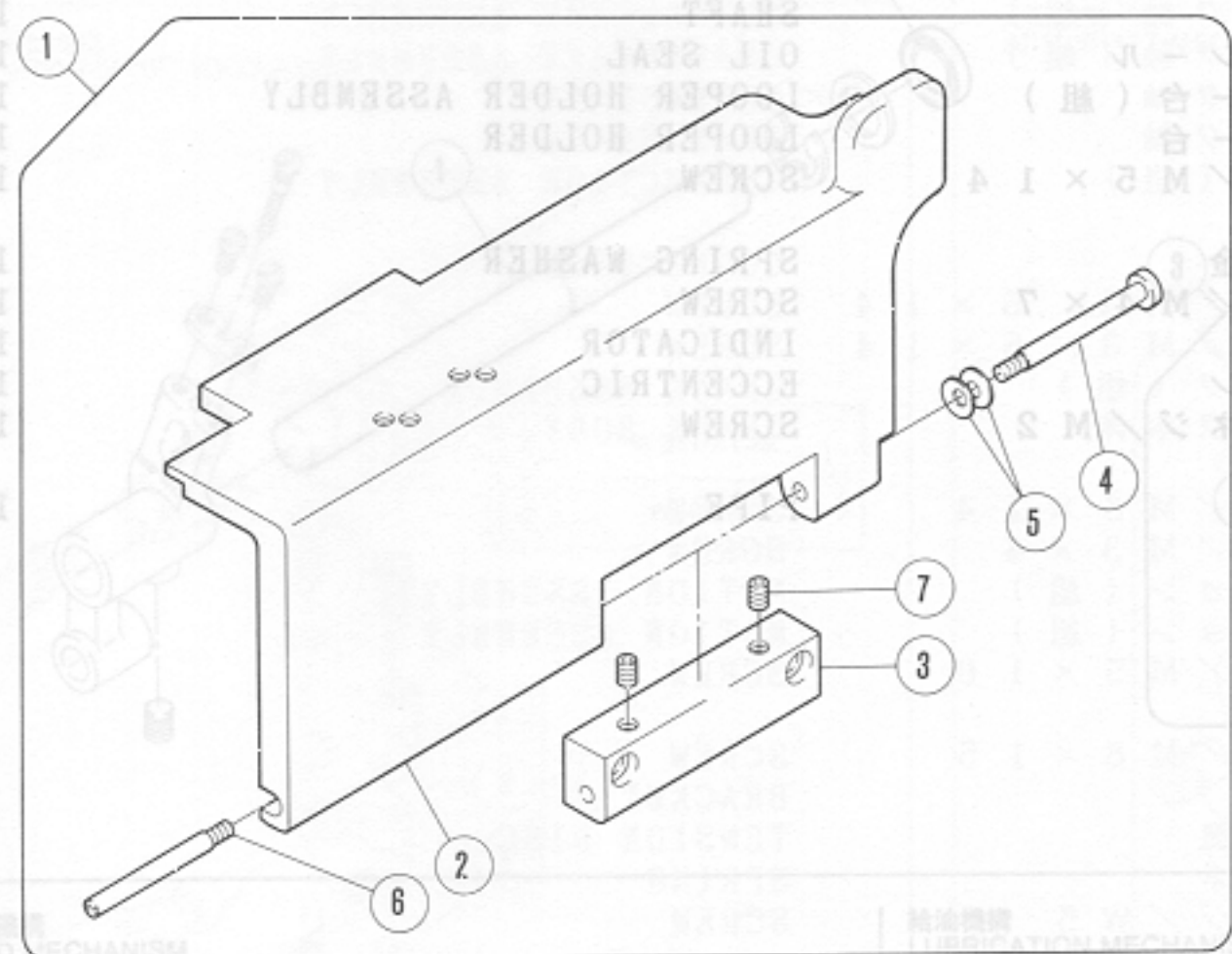
XXXXXXはゲージパーツです。
102-115頁のゲージパーツ表で確認してください。

XXXXXX is one of the gauge parts.
Please confirm the correct part by the gauge parts lists on pages 102-115.

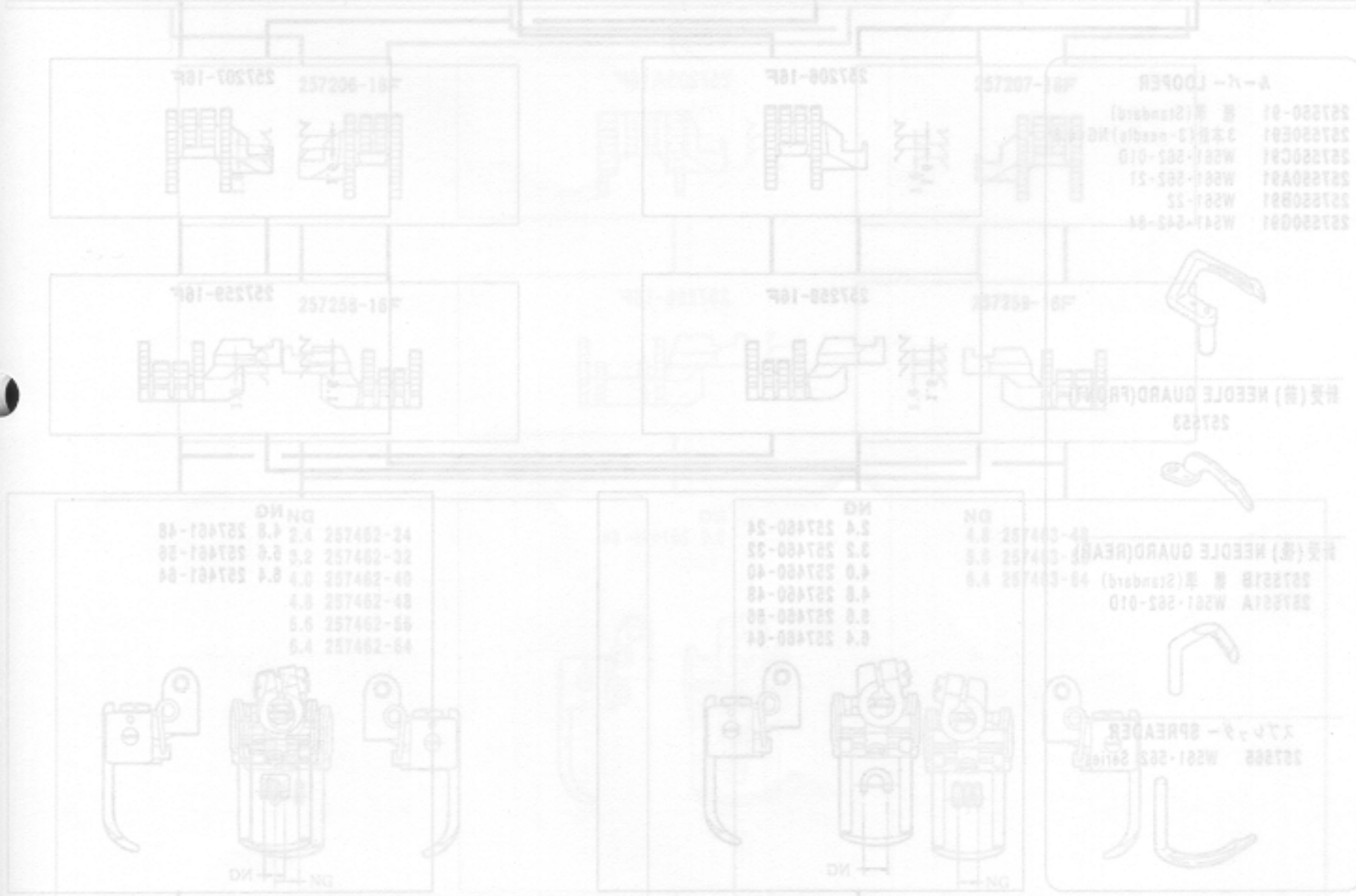
*=販売不可 (Not for sale.)

W541-542-84

REF. PART NO.
NO. 部品番号



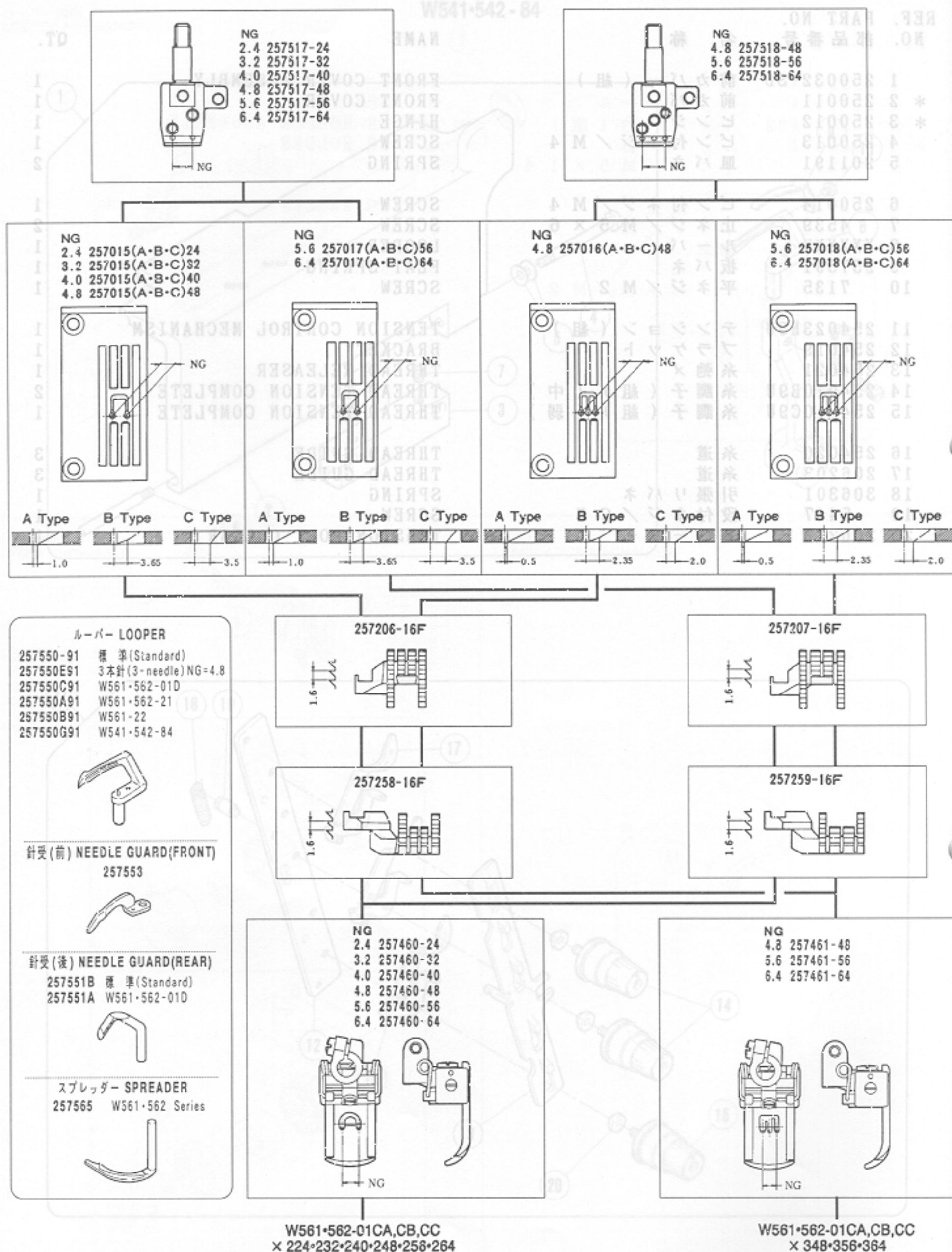
REF. NO.	PART NO.	名称	NAME	QT.
1	250032-SD	前カバー (組)	FRONT COVER ASSEMBLY	1
*	250011	前カバー	FRONT COVER	1
*	250012	ヒンジ	HINGE	1
4	250013	ピン付ネジ / M 4	SCREW	1
5	201191	皿バネ	SPRING	2
6	250014	ピン付ネジ / M 4	SCREW	1
7	4539	止ネジ / M 5 × 6	SCREW	2
8	XXXXXX	ルーパー	LOOPER	1
9	257591	板バネ	FLAT SPRING	1
10	7135	平ネジ / M 2	SCREW	1
11	254023H9U	テンション (組)	TENSION CONTROL MECHANISM	1
12	254019	ブラケット	BRACKET	1
13	254021	糸弛メ	THREAD RELEASER	1
14	254010B9U	糸調子 (組) (中)	THREAD TENSION COMPLETE	2
15	254010C9U	糸調子 (組) (弱)	THREAD TENSION COMPLETE	1
16	254020	糸道	THREAD GUIDE	3
17	206203	糸道	THREAD GUIDE	3
18	306301	引張りバネ	SPRING	1
19	5447	段付ネジ / C 5	SCREW	1
20	206202	スペーサー	TENSION POST COLLAR	1



XXXXXXはゲージパーツです。
 102-115頁のゲージパーツ表で確認してください。
 * =販売不可 (Not for sale.)

XXXXXX is one of the gauge parts.
 Please confirm the correct part by the gauge parts lists on pages 102-115.
 * =Not for sale.

W561・W562 -01CA, CB, CC



ルーパー - LOOPER

257550-91 標準 (Standard)
 257550E91 3本針 (3-needle) NG=4.8
 257550C91 W561-562-01D
 257550A91 W561-562-21
 257550B91 W561-22
 257550G91 W541-542-84

針受 (前) NEEDLE GUARD (FRONT)
 257553

針受 (後) NEEDLE GUARD (REAR)
 257551B 標準 (Standard)
 257551A W561-562-01D

スプレッター SPREADER
 257565 W561-562 Series

257206-16F

257258-16F

NG
 2.4 257460-24
 3.2 257460-32
 4.0 257460-40
 4.8 257460-48
 5.6 257460-56
 6.4 257460-64

257207-16F

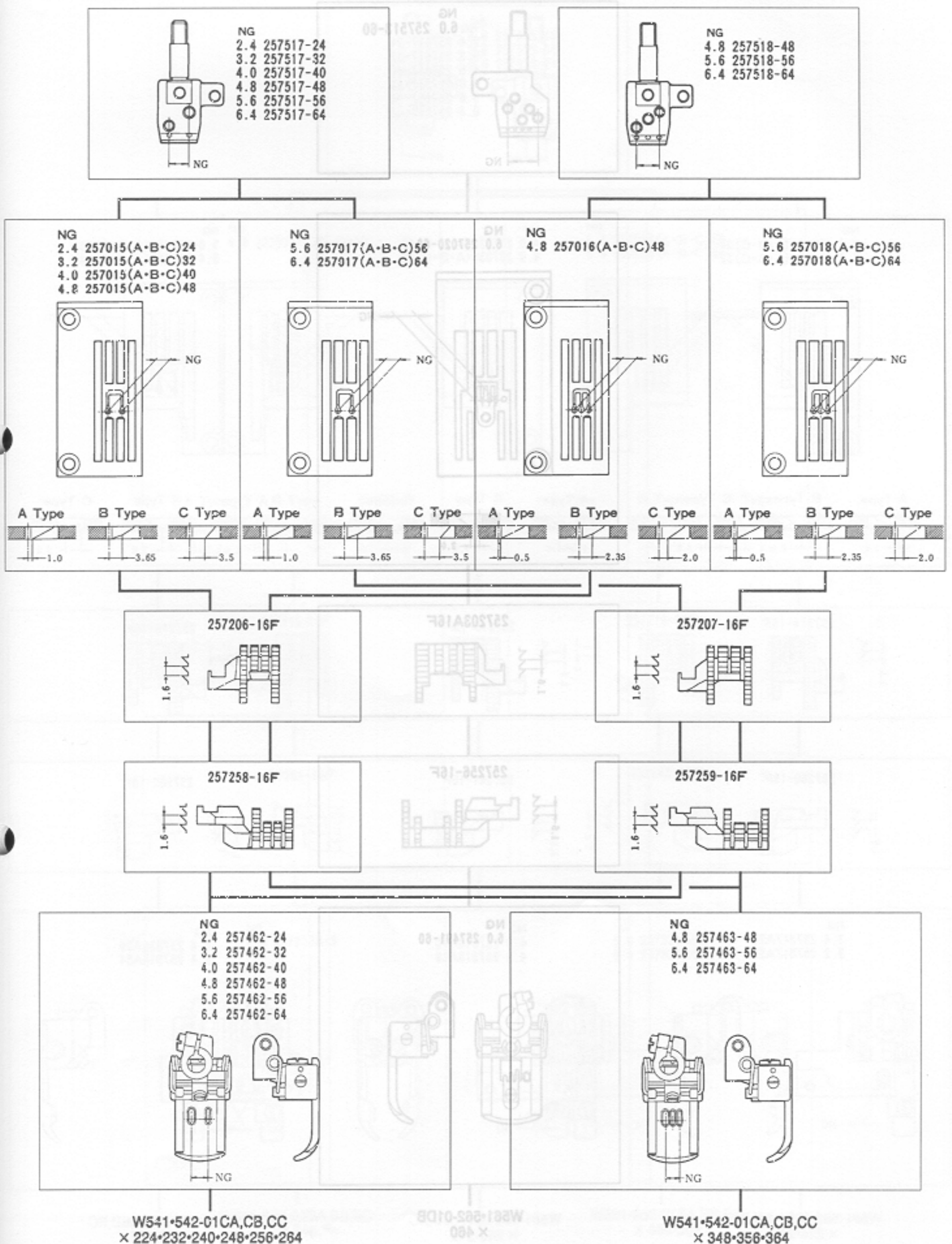
257259-16F

NG
 4.8 257461-48
 5.6 257461-56
 6.4 257461-64

W561-562-01CA, CB, CC
 × 224-232-240-248-258-264

W561-562-01CA, CB, CC
 × 348-356-364

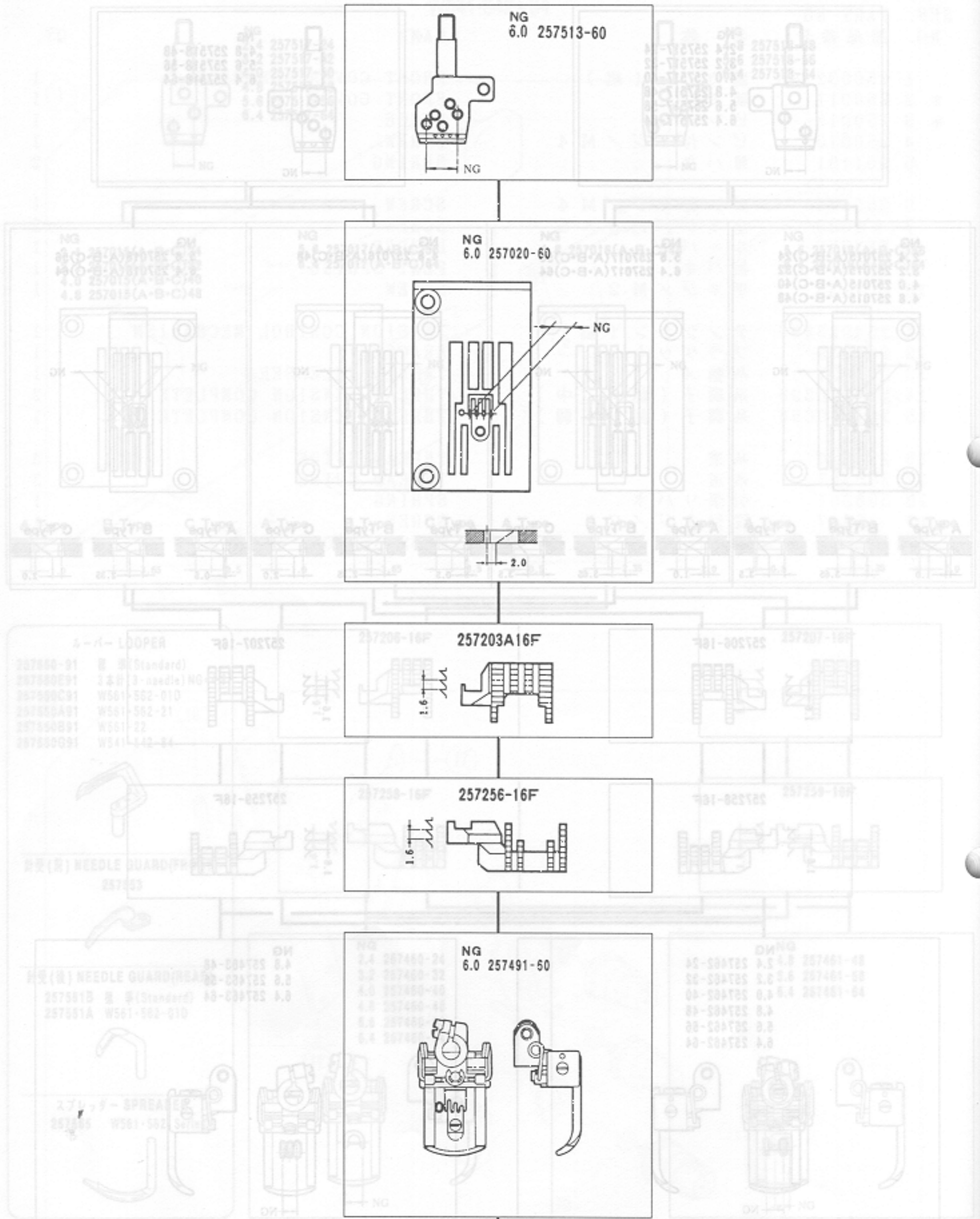
機種 MACHINE	針板 NEEDLE PLATE
W561-562-01CA	A TYPE
W561-562-01CB	B TYPE
W561-562-01CC	C TYPE



機種 MACHINE	針板 NEEDLE PLATE
W541・542-01CA	A TYPE
W541・542-01CB	B TYPE
W541・542-01CC	C TYPE

ルーバー, 針受は76頁を参照してください。
See page 76 for the looper and needle guards.

W561・W562 -01DB

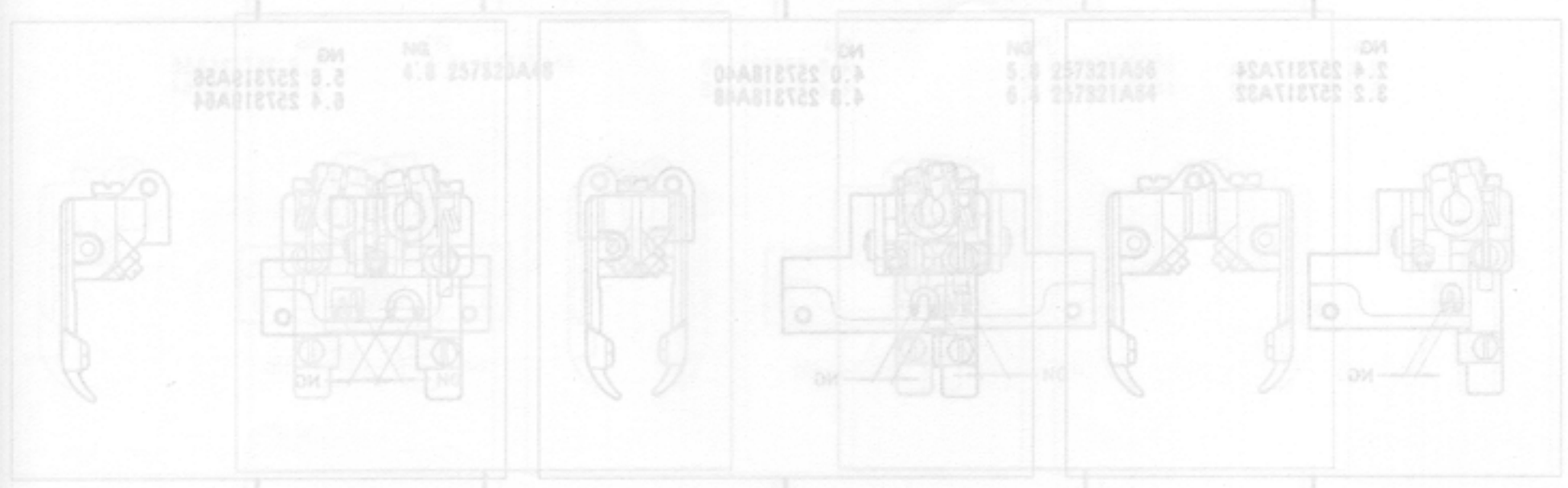
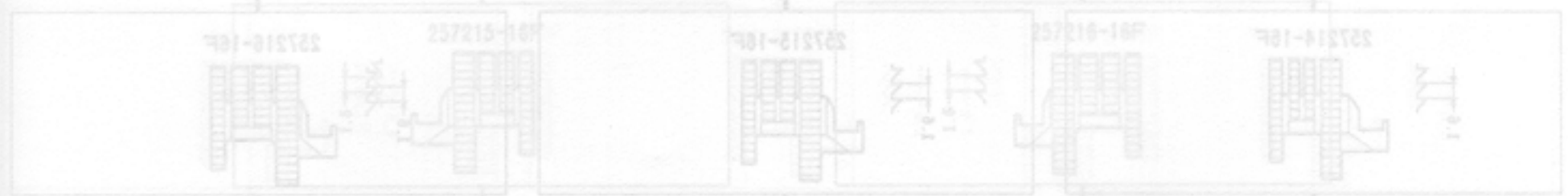
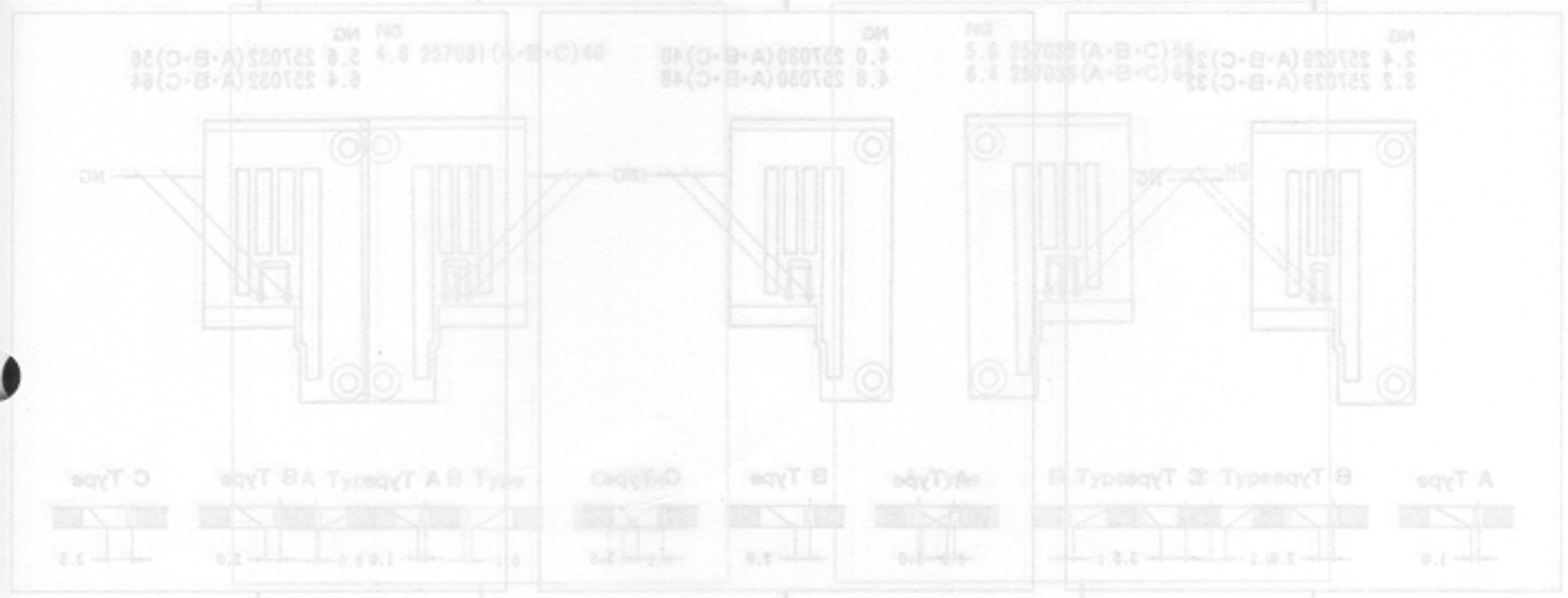
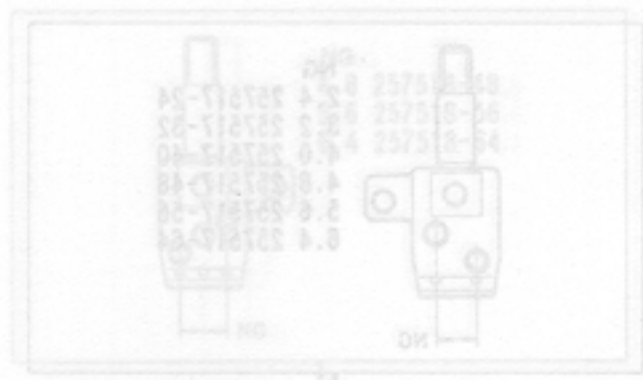


W561・562-01CA, CB, CC
W561-562-01DB
× 460

機種 MACHINE	針板 NEEDLE PLATE
W561-562-01CA	A TYPE
W561-562-01CB	B TYPE
W561-562-01CC	C TYPE

機種 MACHINE	針板 NEEDLE PLATE
W561-562-01CA	A TYPE
W561-562-01CB	B TYPE
W561-562-01CC	C TYPE

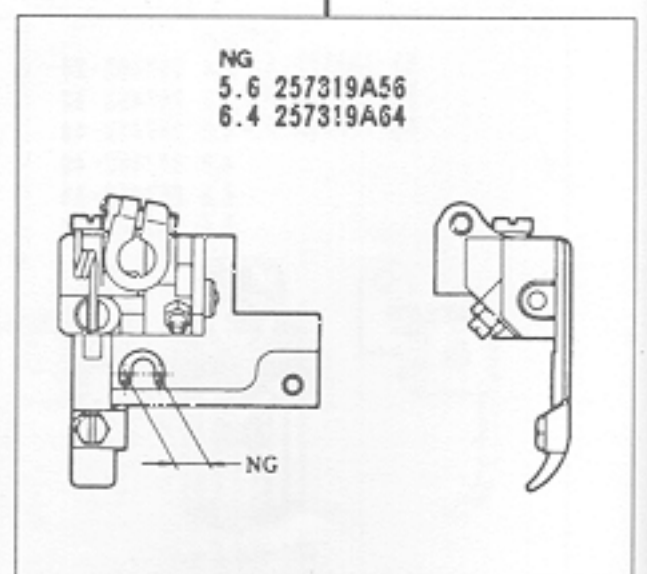
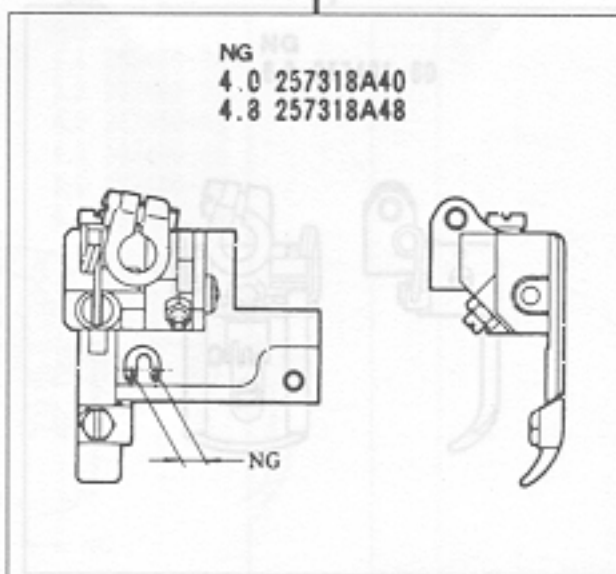
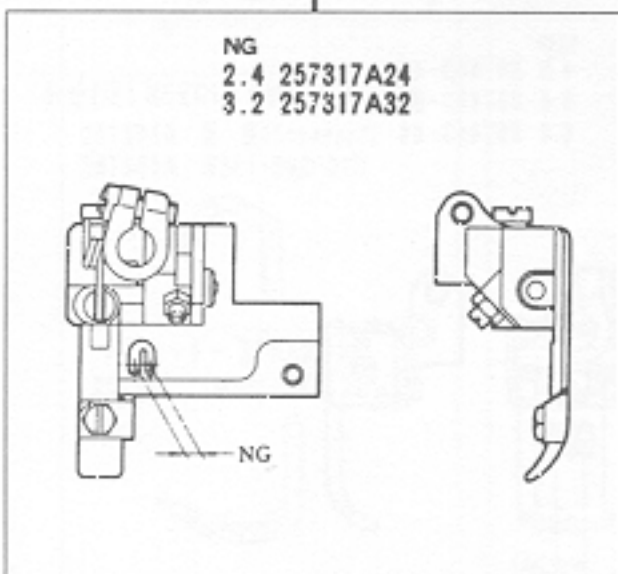
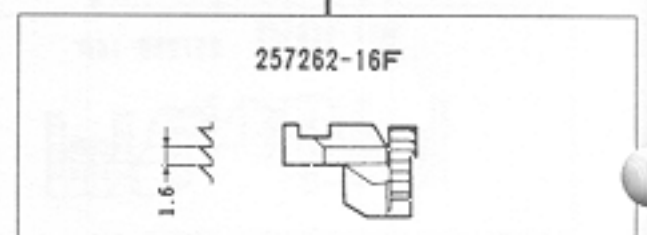
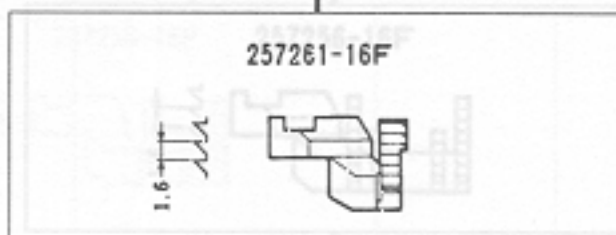
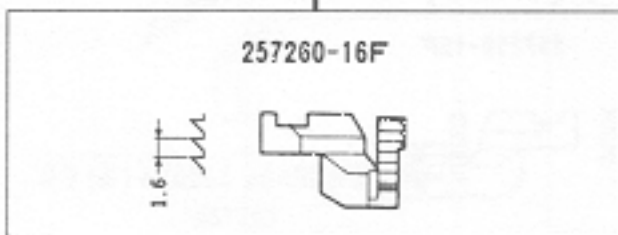
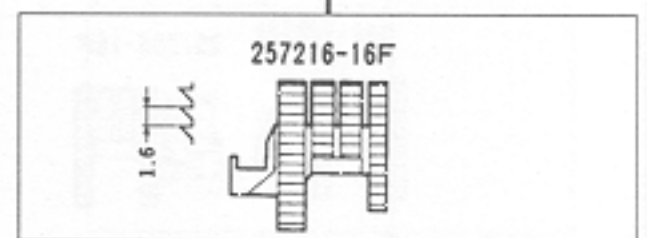
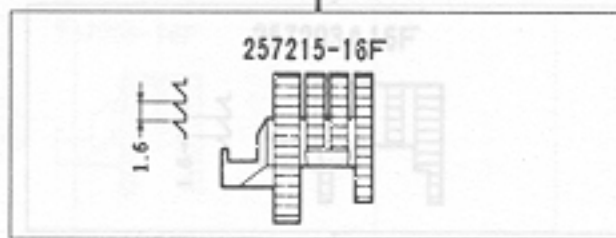
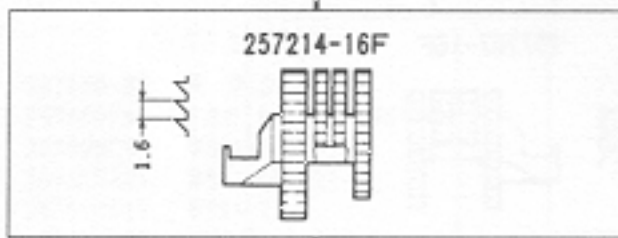
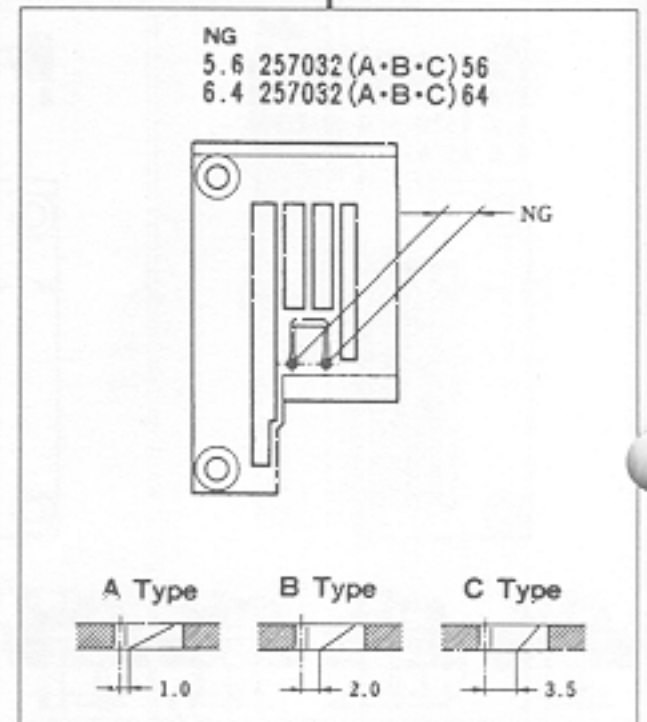
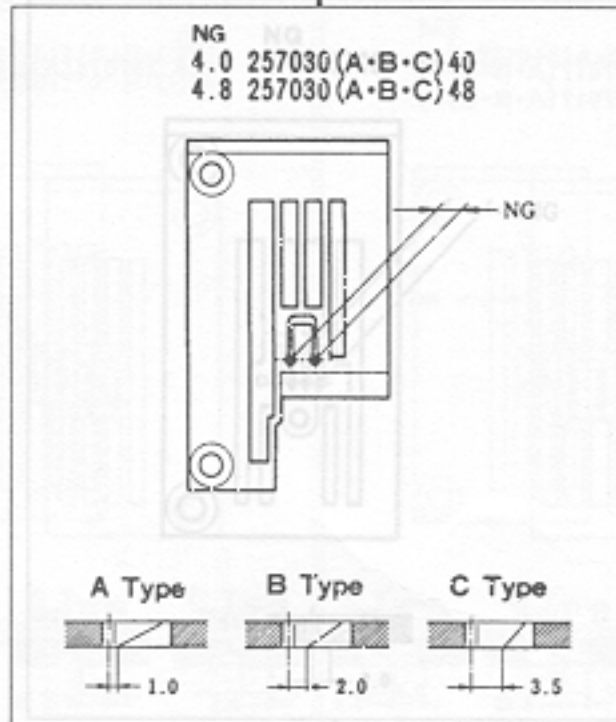
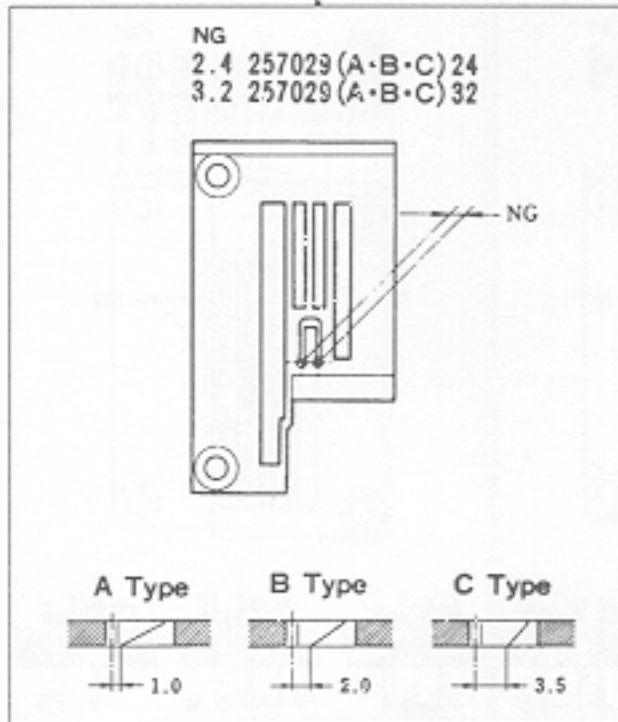
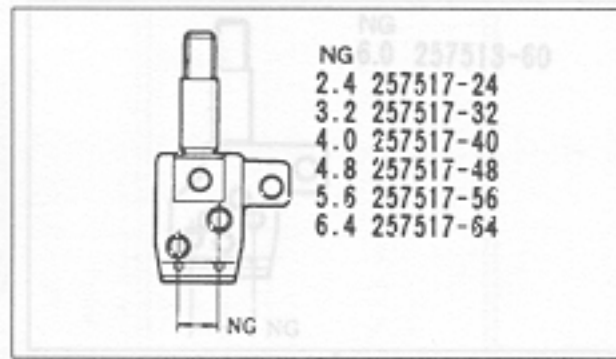
ルーパー、スプレッター、針受は76頁を参照してください。
See page 76 for the looper, spreader and needle guards.



W561-685-02BA BB BC 250-284 X 250-284
 W561-685-02BA BB BC 250-284 X 250-284
 W561-685-02BA BB BC 250-284 X 250-284

機 器 MACHINE	針 板 NEEDLE PLATE	機 器 MACHINE	針 板 NEEDLE PLATE
W561-685-02BA BB BC 250-284 X 250-284	A TYPE	W561-685-02BA BB BC 250-284 X 250-284	B TYPE
W561-685-02BA BB BC 250-284 X 250-284	B TYPE	W561-685-02BA BB BC 250-284 X 250-284	C TYPE
W561-685-02BA BB BC 250-284 X 250-284	C TYPE	W561-685-02BA BB BC 250-284 X 250-284	

W561・W562 -02BA, BB, BC



W561・562-02BA, BB, BC
X 224・232

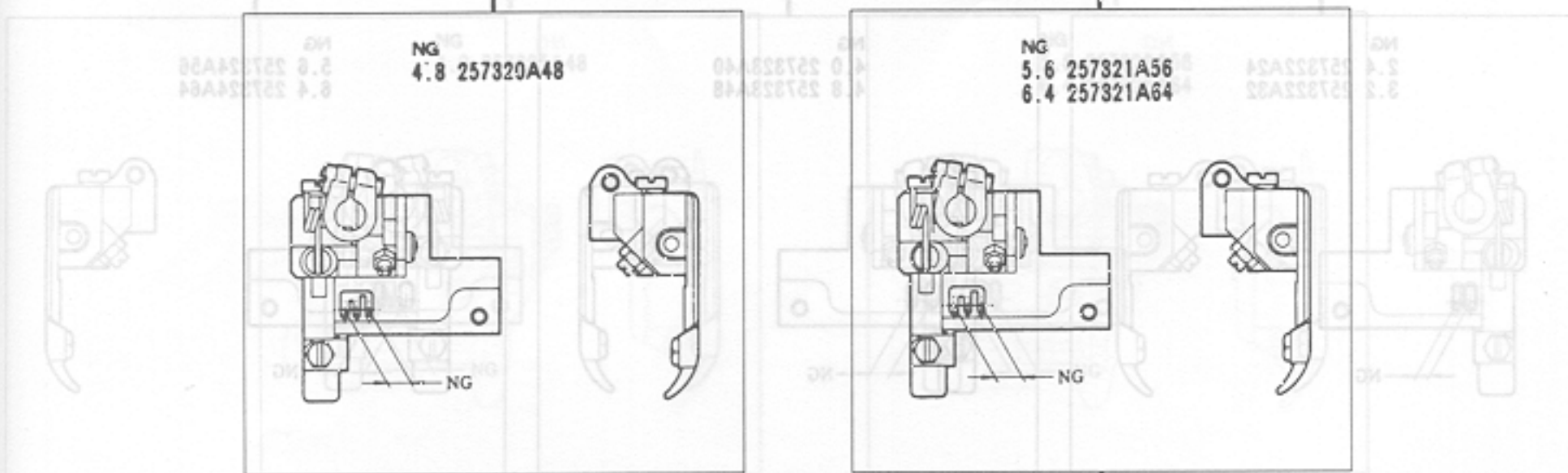
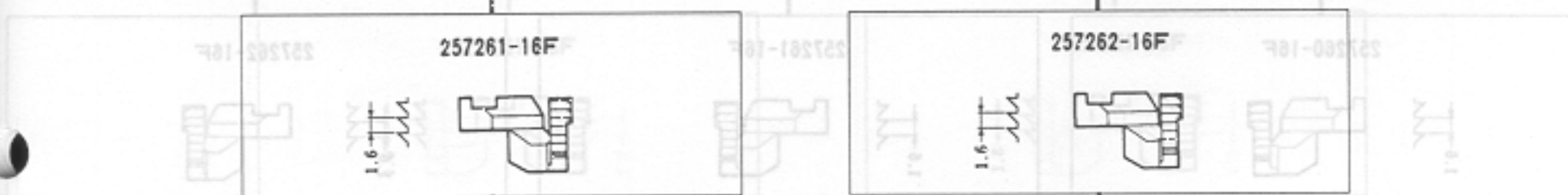
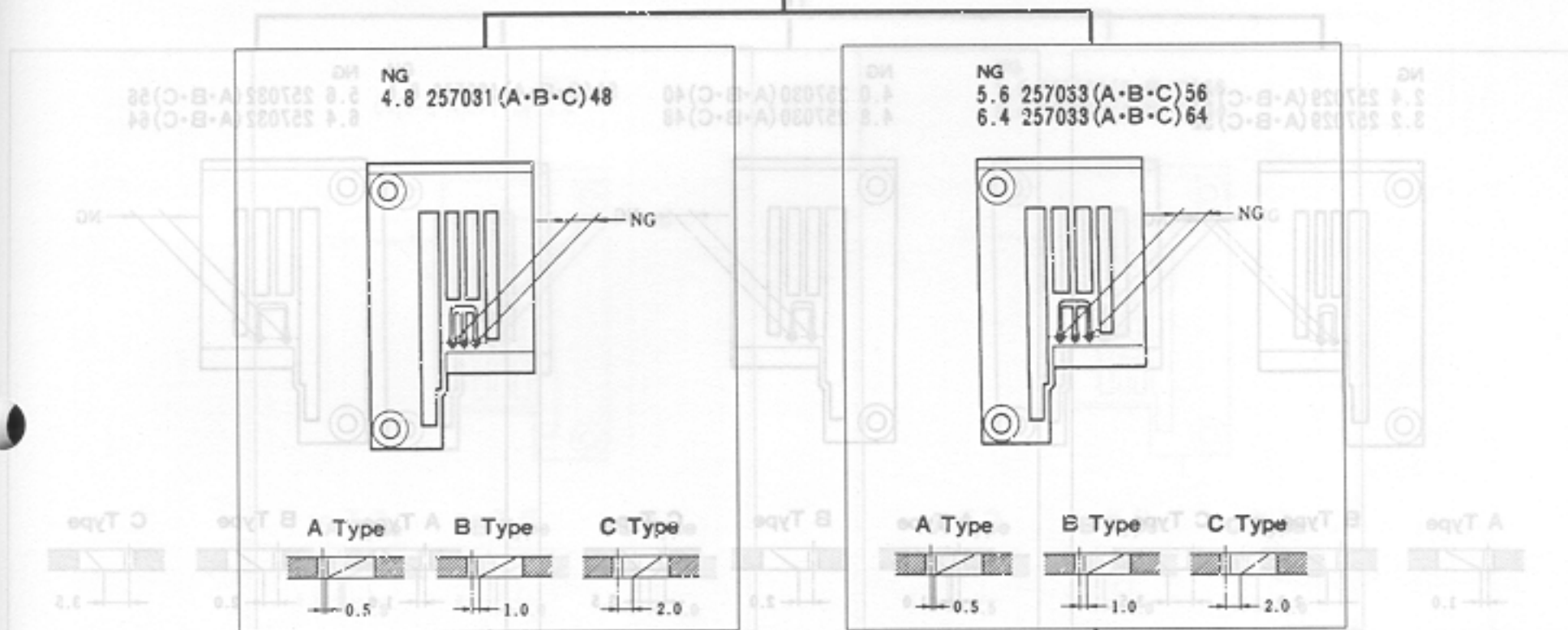
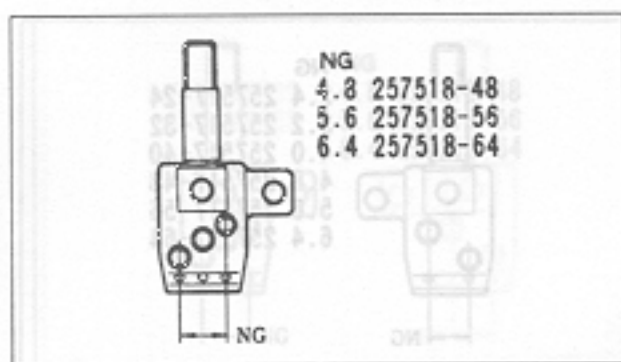
W561・562-02BA, BB, BC
X 240・248

W561・562-02BA, BB, BC
X 256・264

機種 MACHINE	針板 NEEDLE PLATE
W561・562-02BA	A TYPE
W561・562-02BB	B TYPE
W561・562-02BC	C TYPE

ルーパー、スプレッター、針受は76頁を参照してください。
See page 76 for the looper, spreader and needle guards.

W561・W562 -02BA, BB, BC

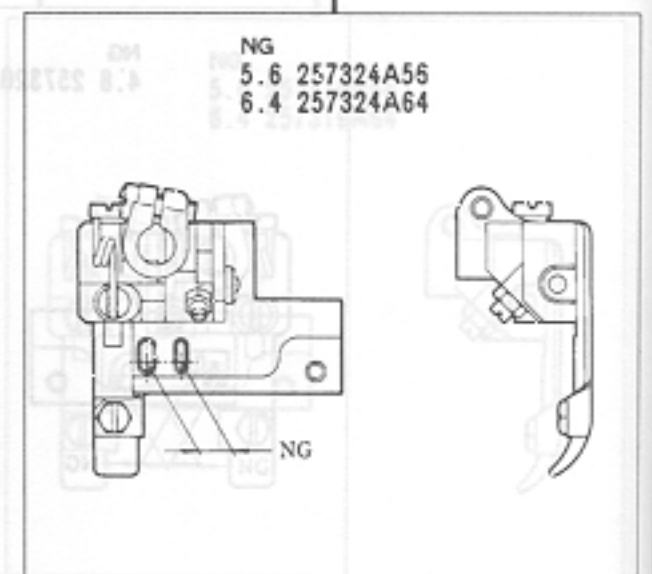
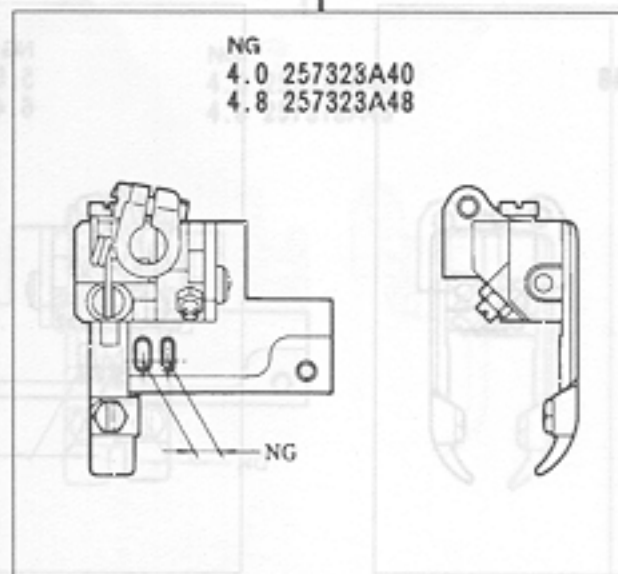
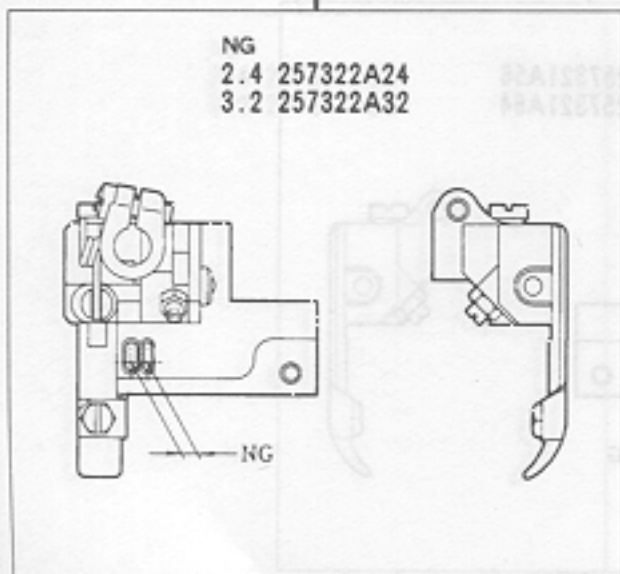
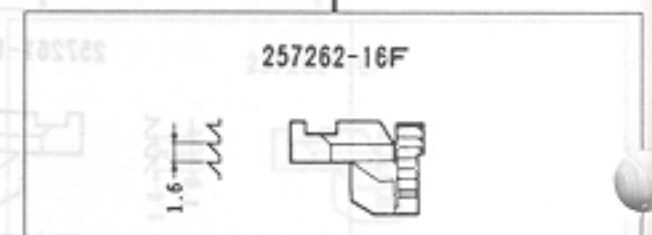
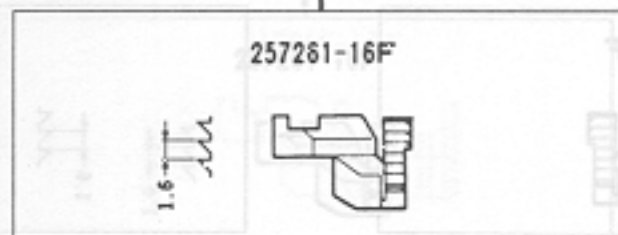
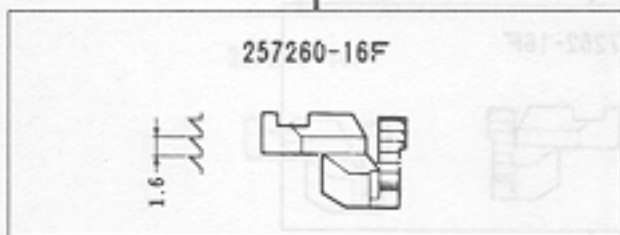
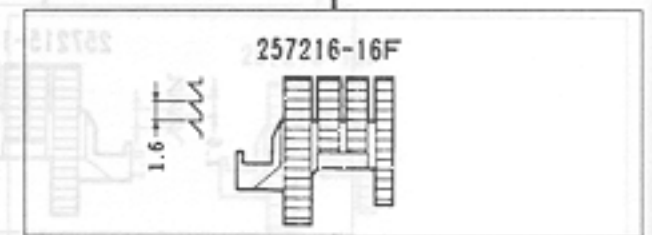
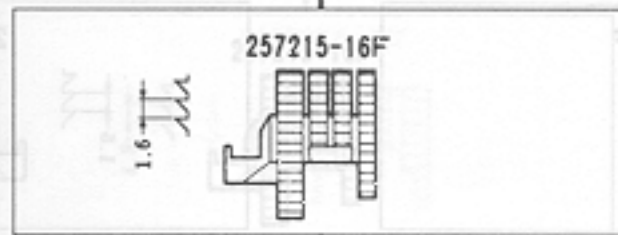
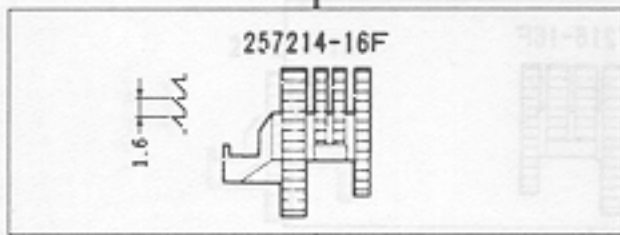
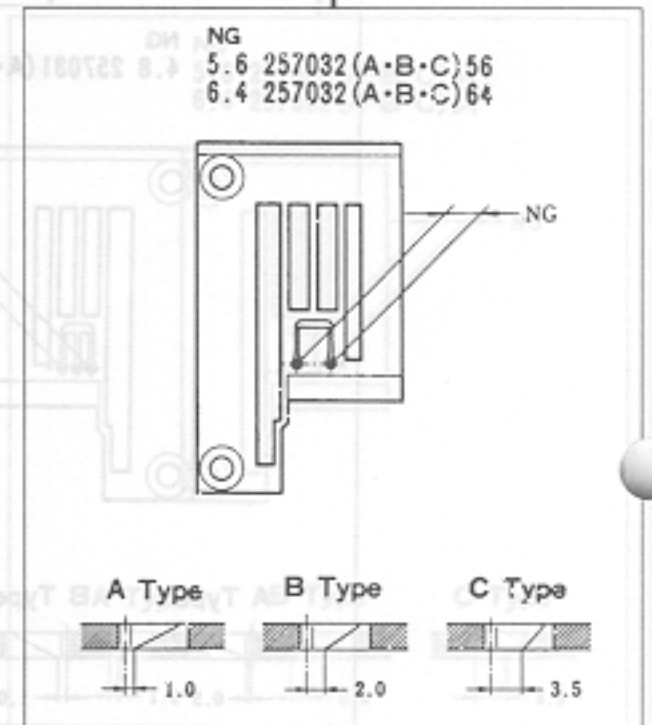
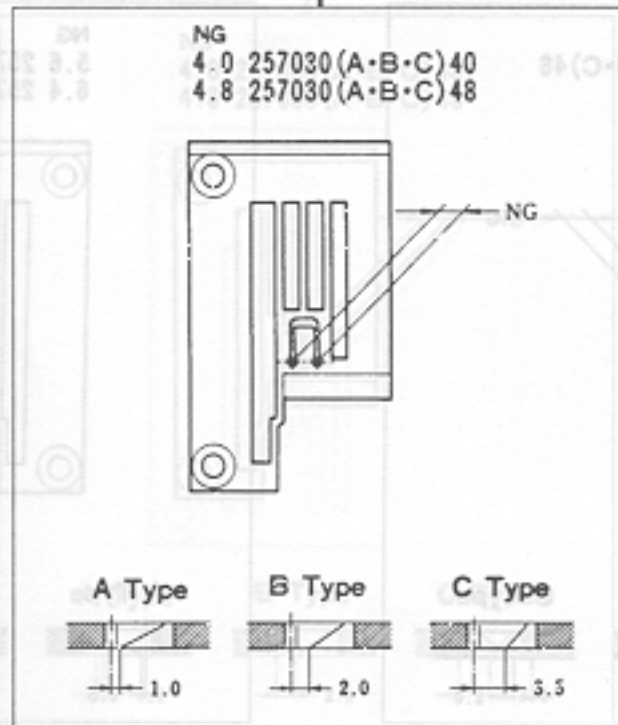
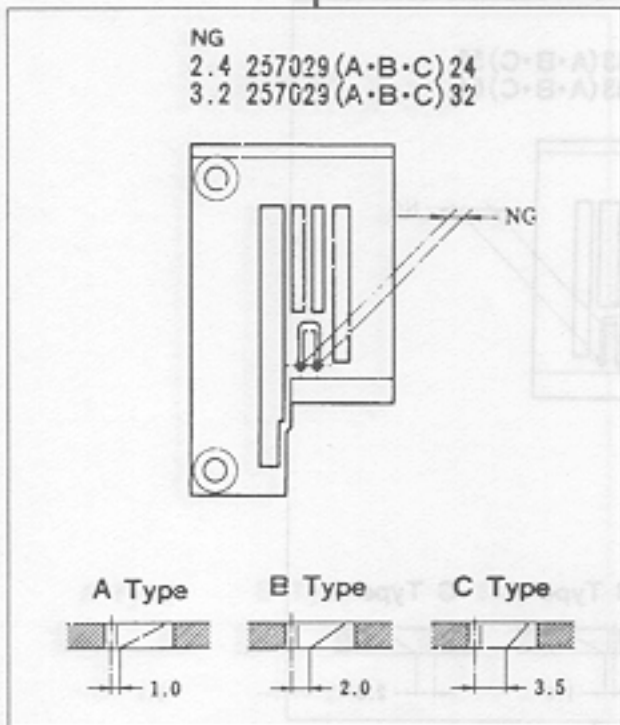
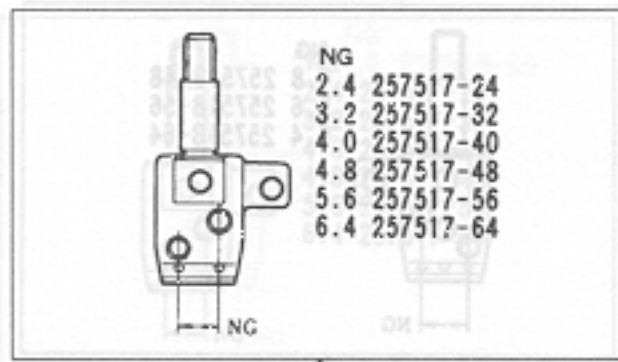


W561・562-02BA, BB, BC
X 348

W561・562-02BA, BB, BC
X 356-364

機種 MACHINE	針板 NEEDLE PLATE
W561・562-02BA	A TYPE
W561・562-02BB	B TYPE
W561・562-02BC	C TYPE

ルーバー、スプレッター、針受は76頁を参照してください。
See page 76 for the looper, spreader and needle guards.



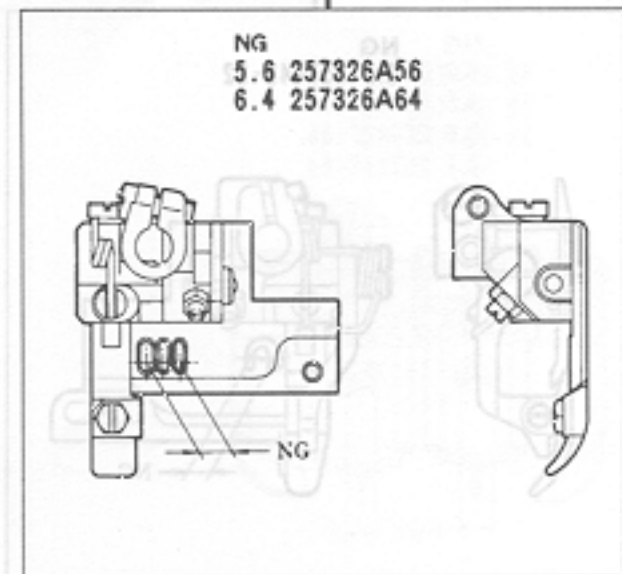
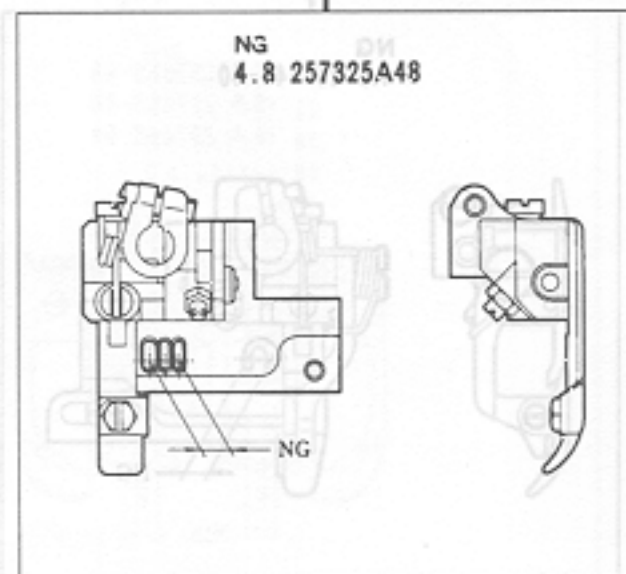
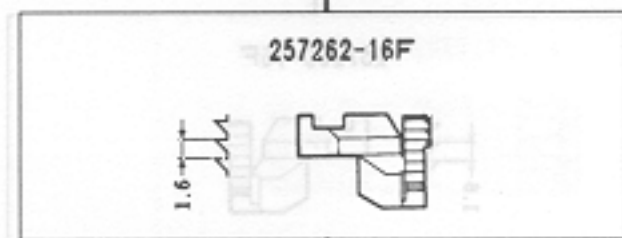
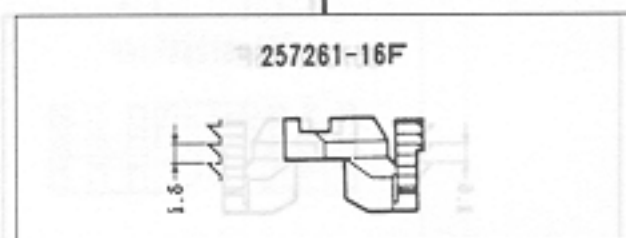
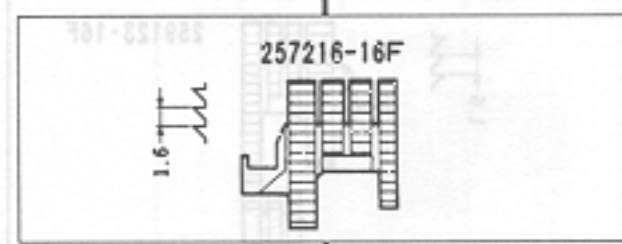
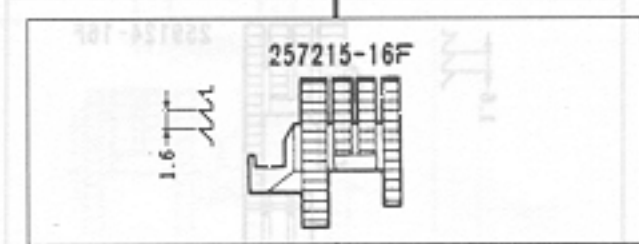
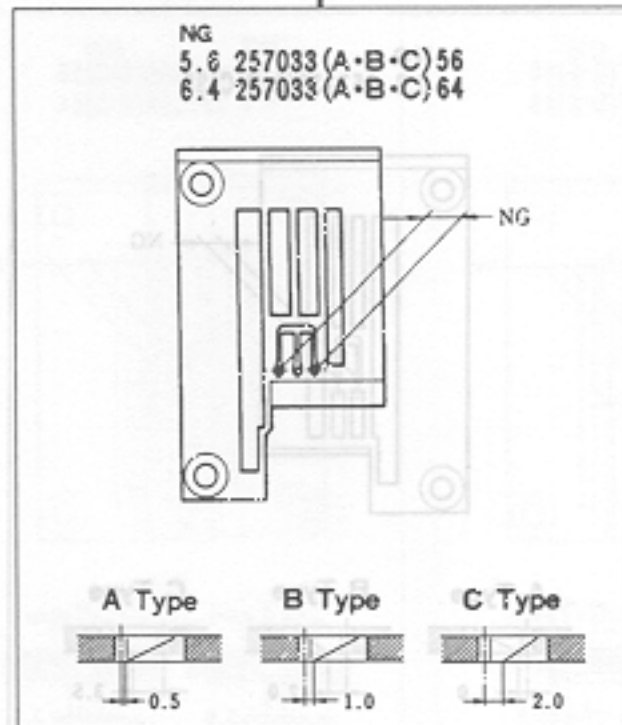
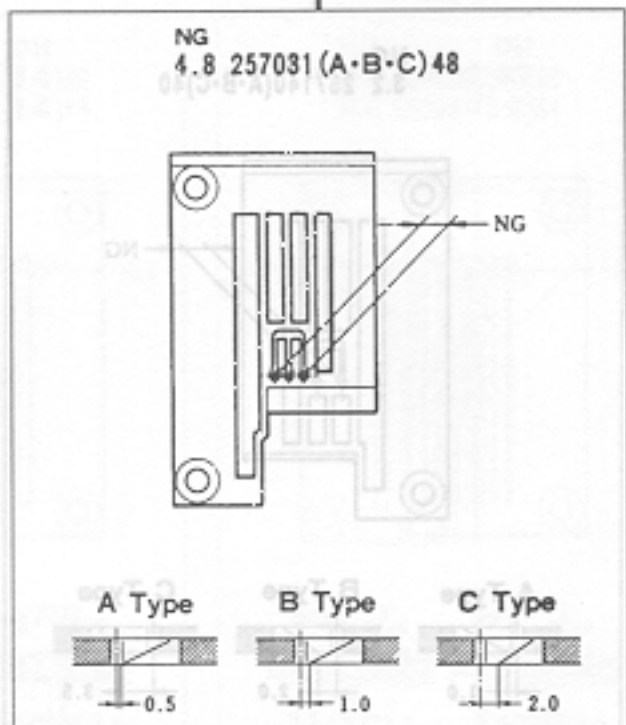
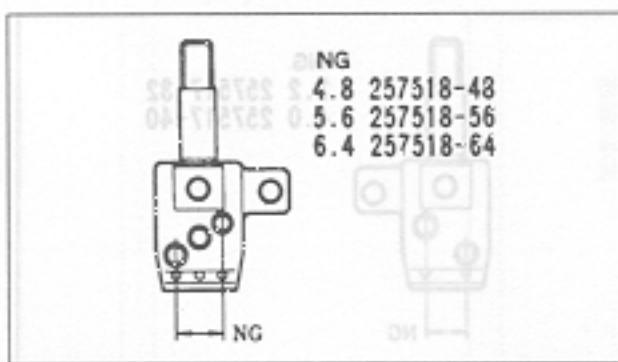
W541・542-02BA, BB, BC
× 224・232

W541・542-02BA, BB, BC
× 240・248

W541・542-02BA, BB, BC
× 256・264

機種 MACHINE	針板 NEEDLE PLATE
W541・542-02BA	A TYPE
W541・542-02BB	B TYPE
W541・542-02BC	C TYPE

ルーパー、針受は76頁を参照してください。
See page 76 for the looper and needle guards.



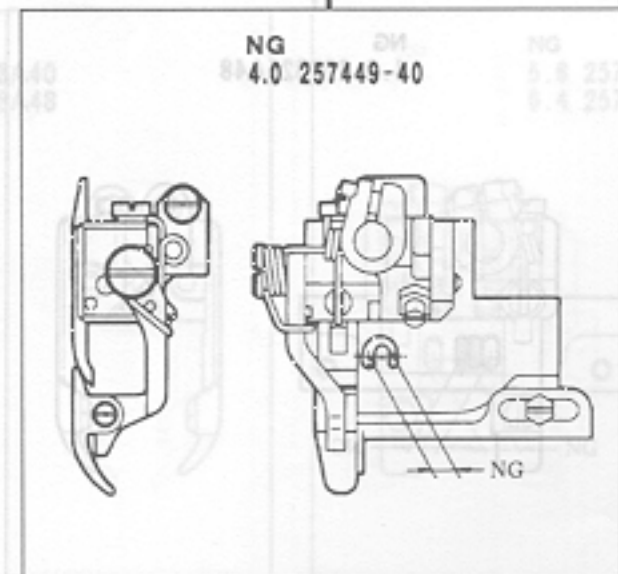
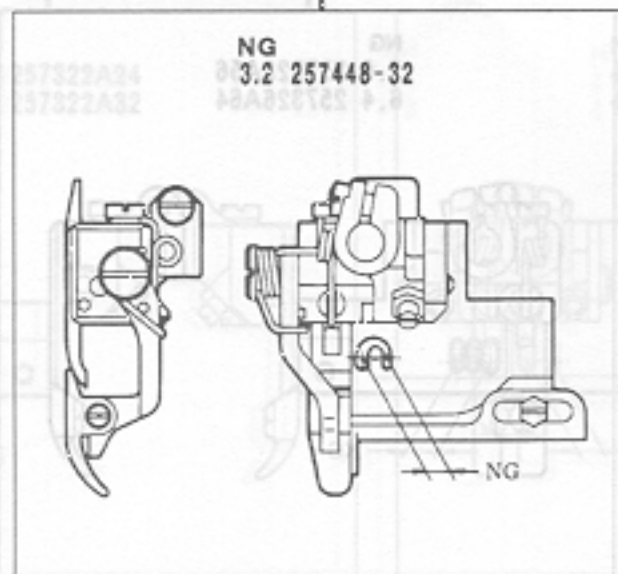
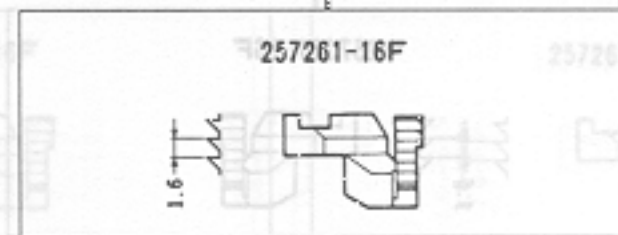
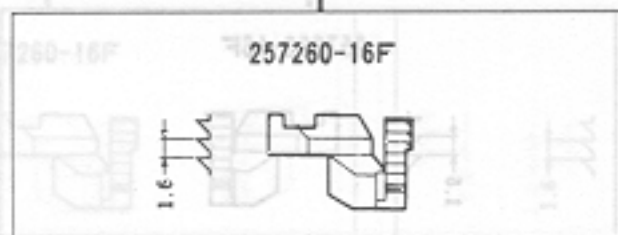
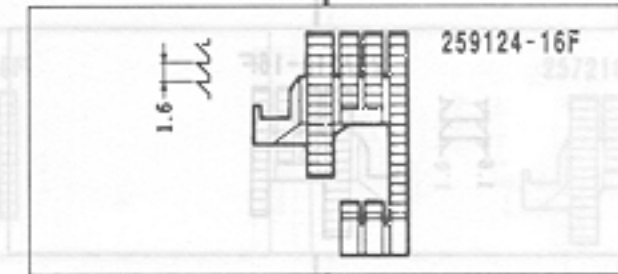
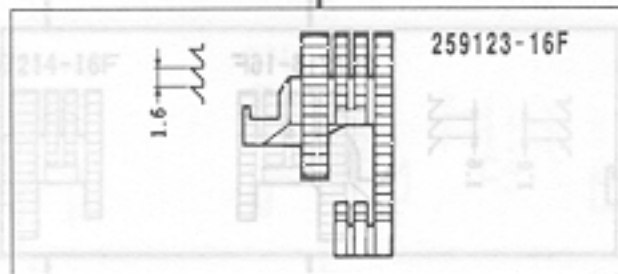
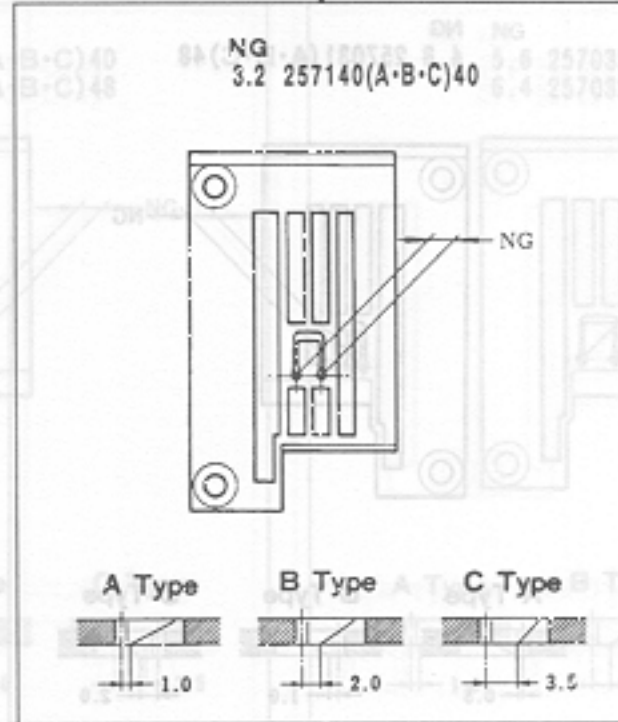
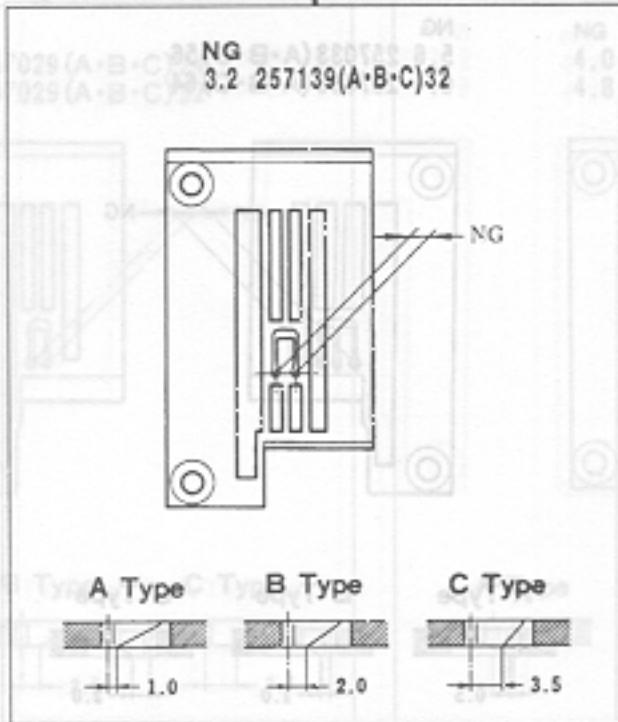
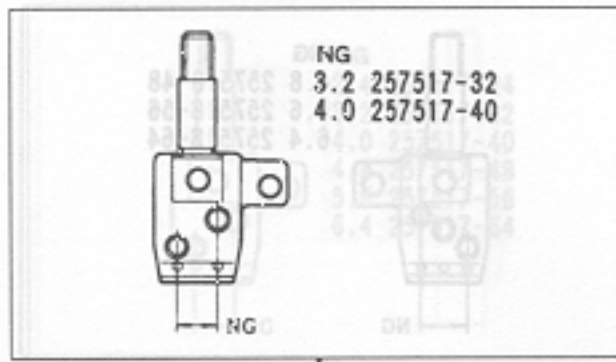
W541・542-02BA, BB, BC
X 348

W541・542-02BA, BB, BC
X 356-364

機種 MACHINE	針板 NEEDLE PLATE
W541・542-02BA	A TYPE
W541・542-02BB	B TYPE
W541・542-02BC	C TYPE

ルーパー, 針受は76頁を参照してください。
See page 76 for the looper and needle guards.

W541・W542 -02CA, CB, CC



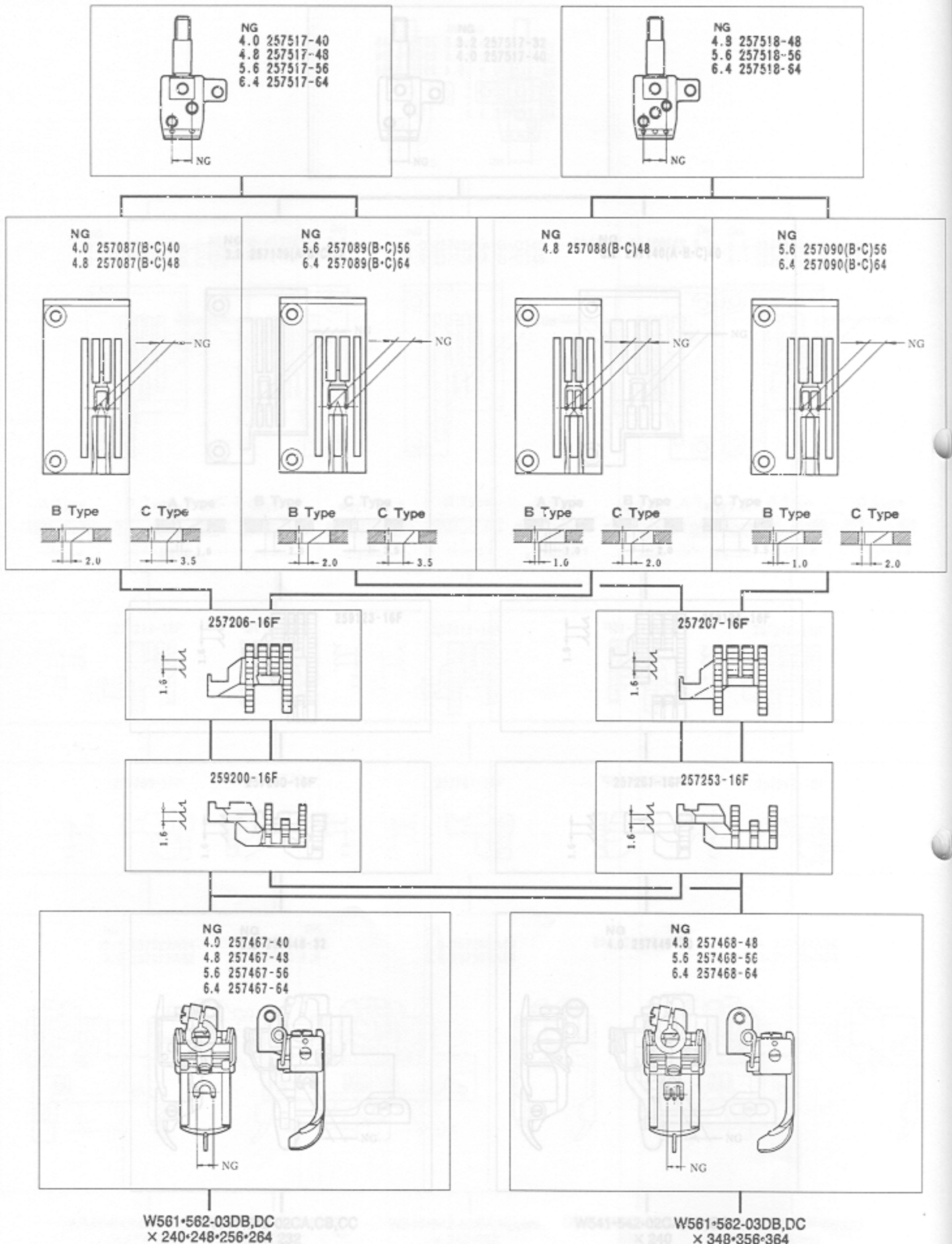
W541・542-02CA, CB, CC
X 224-232

W541・542-02BA, BB, BC
X 240-248

W541・542-02CA, CB, CC
X 240

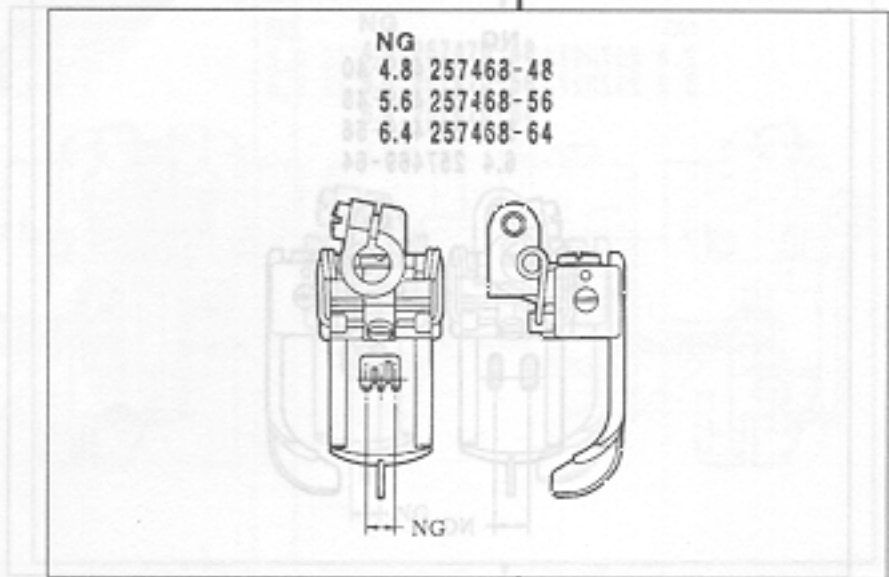
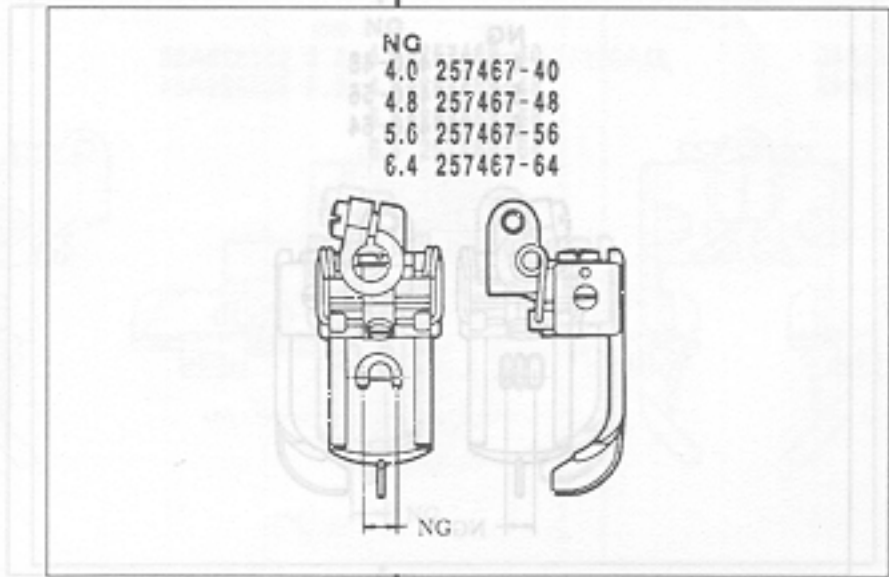
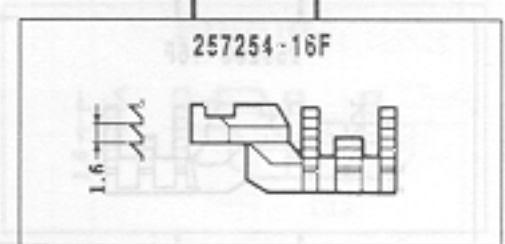
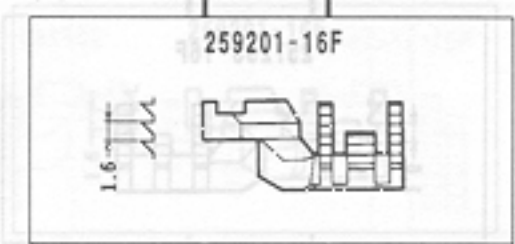
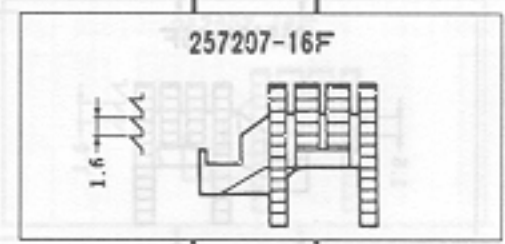
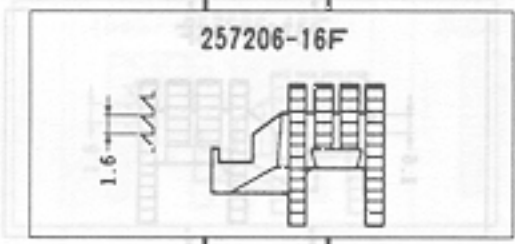
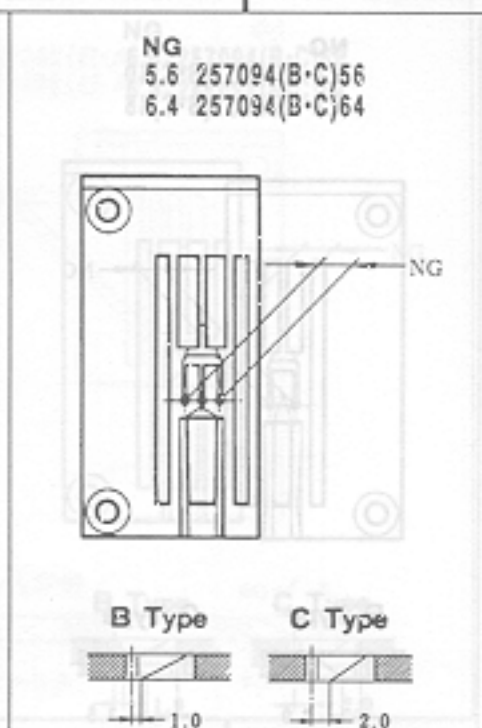
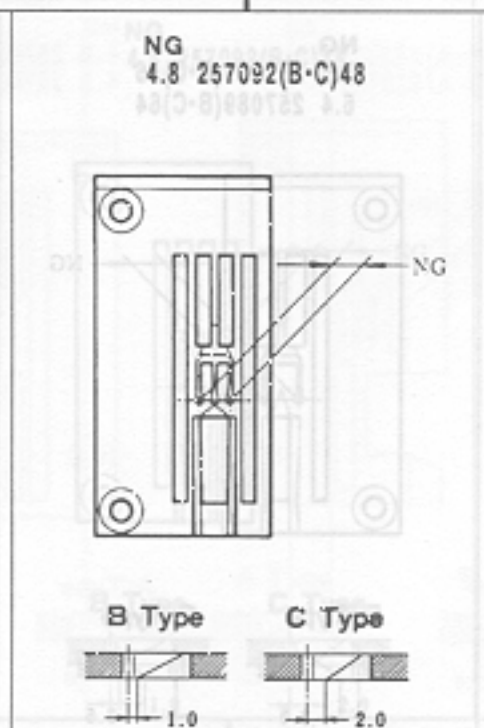
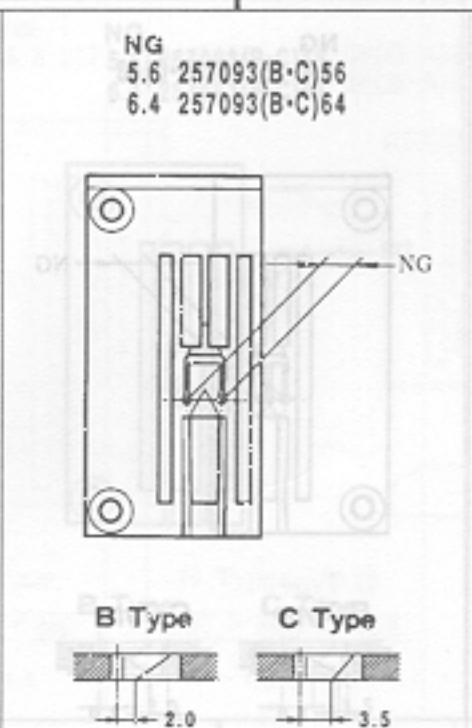
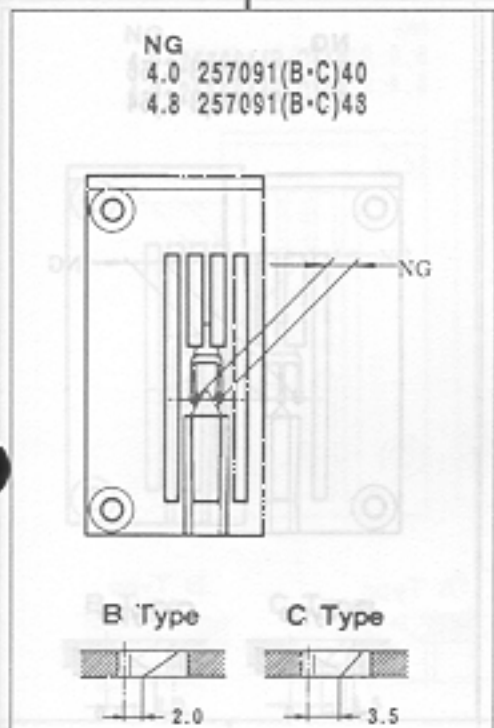
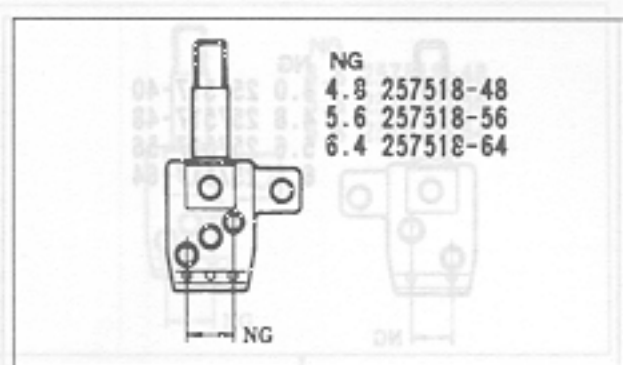
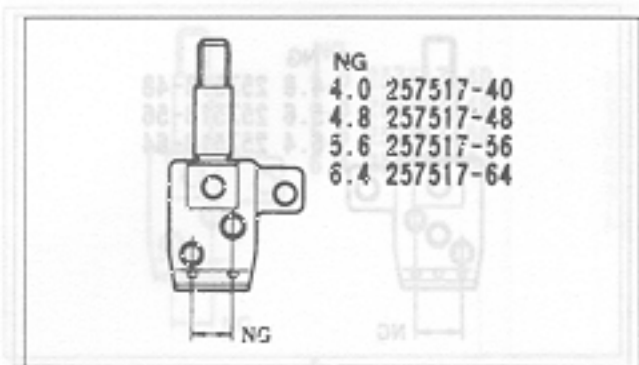
機種 MACHINE	針板 NEEDLE PLATE
W541・542-02CA	A TYPE
W541・542-02CB	B TYPE
W541・542-02CC	C TYPE

ルーパー、針受は76頁を参照してください。
See page 76 for the looper and needle guards.



機種 MACHINE	針板 NEEDLE PLATE
W561・562-03DB	B TYPE
W561・562-03DC	C TYPE

ルーバー、スプレッター、針受は76頁を参照してください。
See page 76 for the looper, spreader and needle guards.

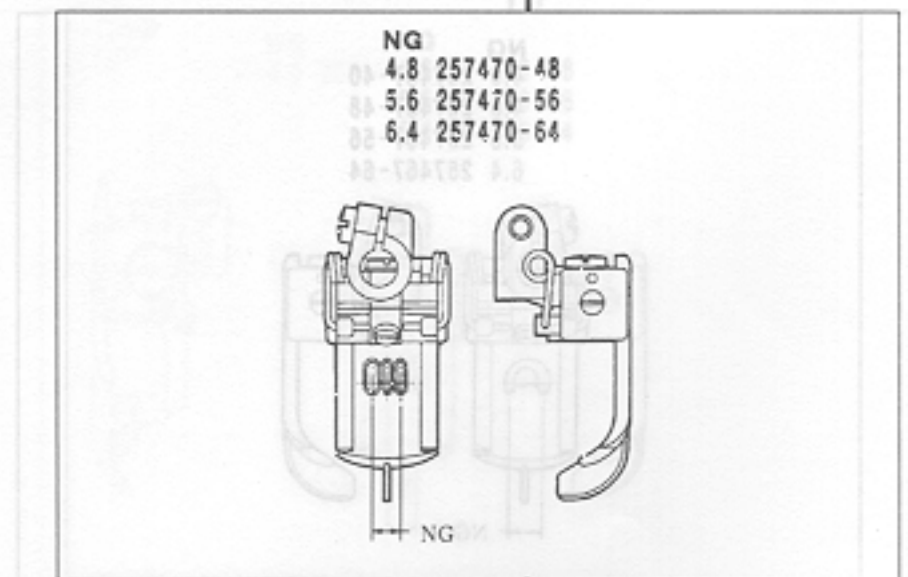
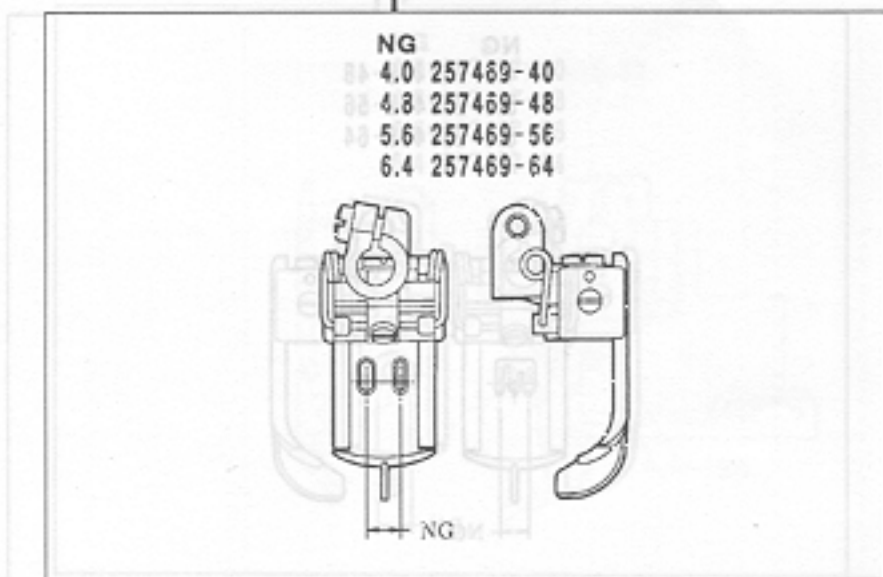
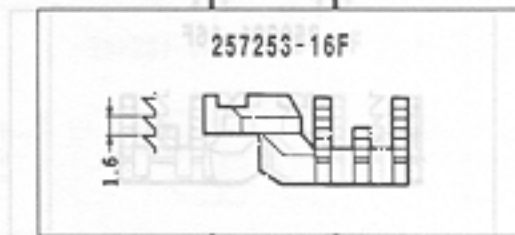
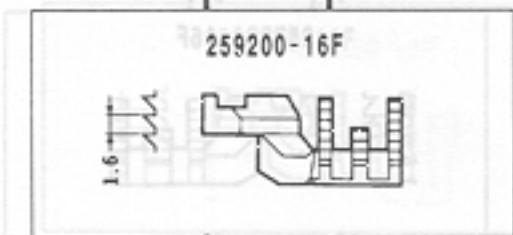
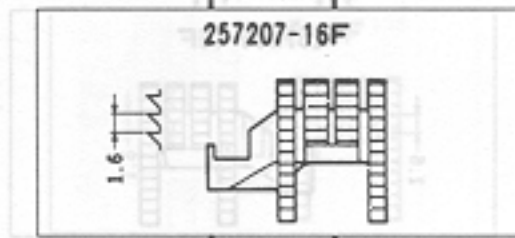
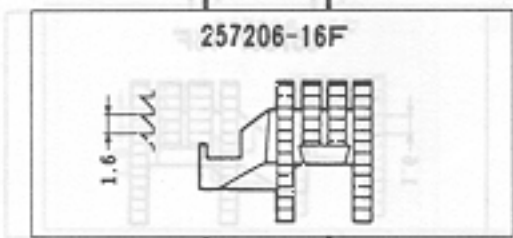
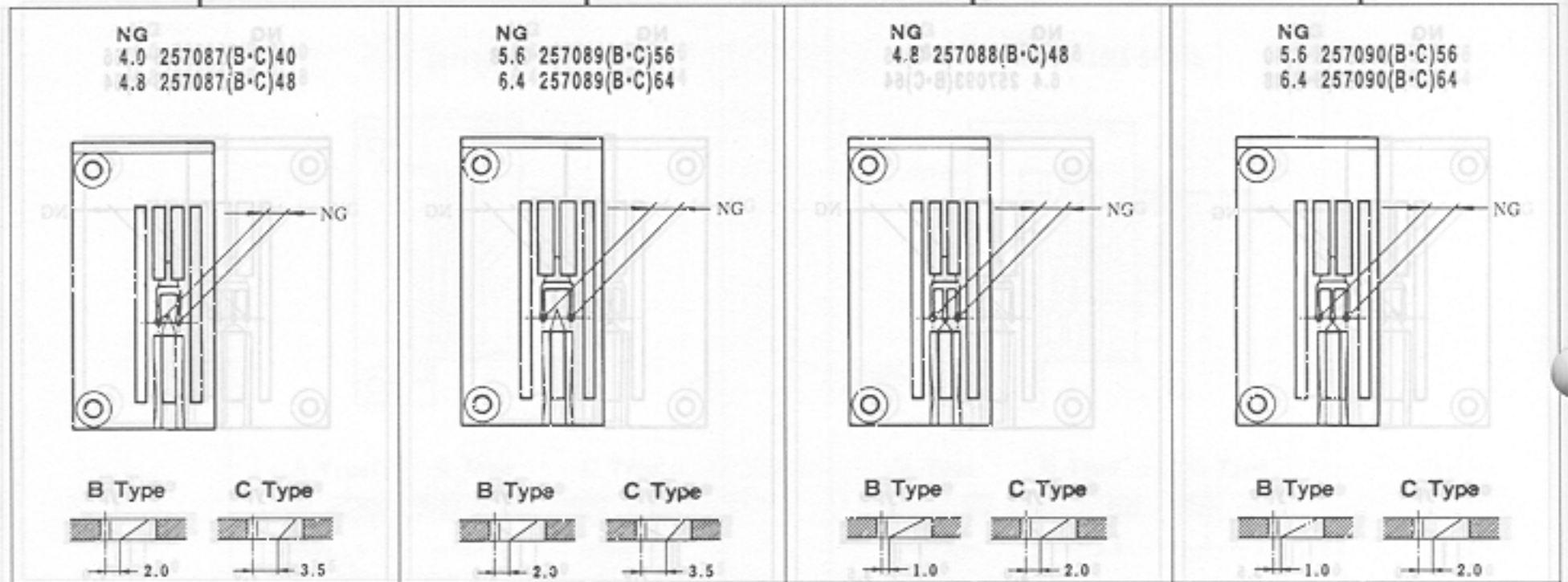
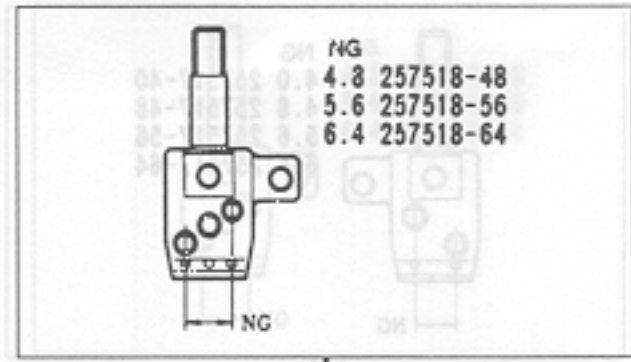
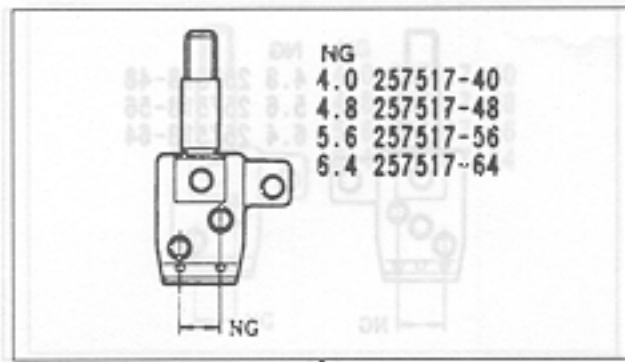


W561・562-03EB,EC
× 240・248・256・264

W561・562-03EB,EC
× 348・356・364

機種 MACHINE	針板 NEEDLE PLATE
W561・562-03EB	B TYPE
W561・562-03EC	C TYPE

ルーパー、スプレッター、針受は76頁を参照してください。
See page 76 for the looper, spreader and needle guards.

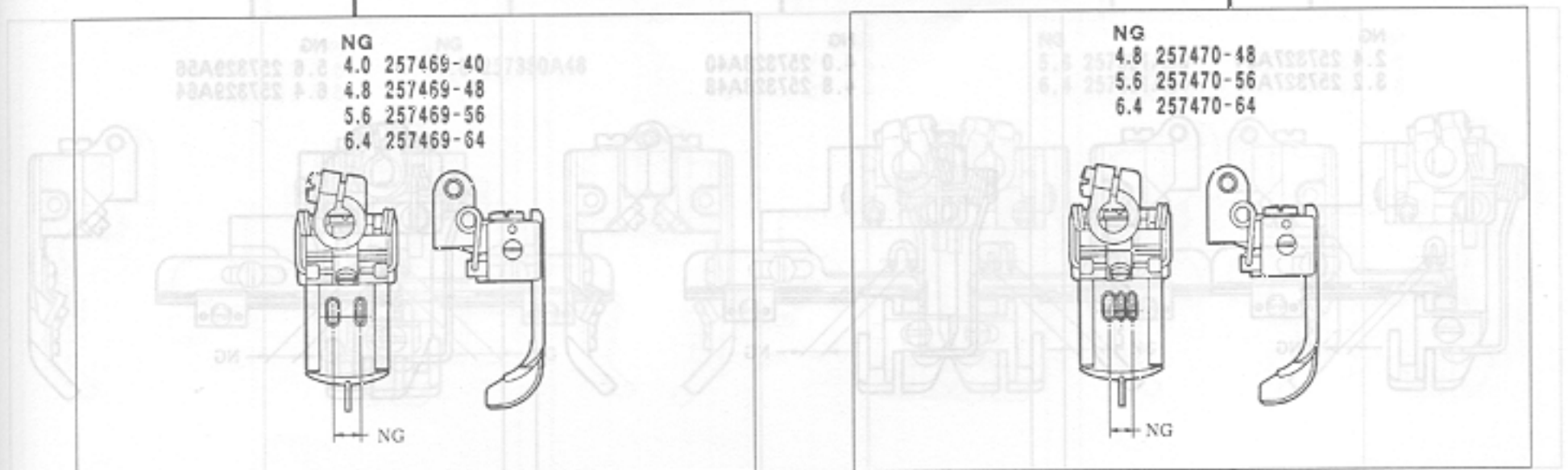
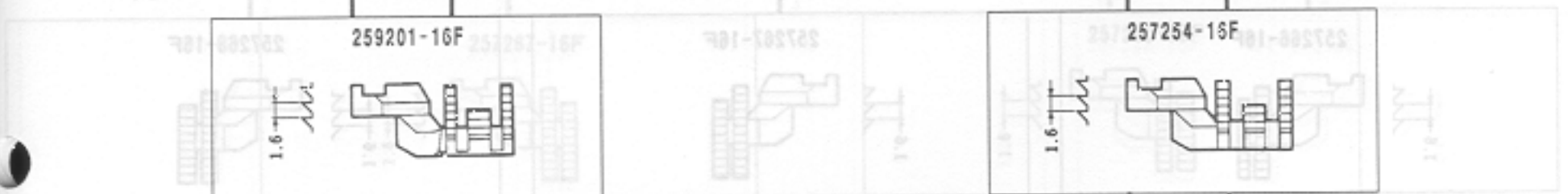
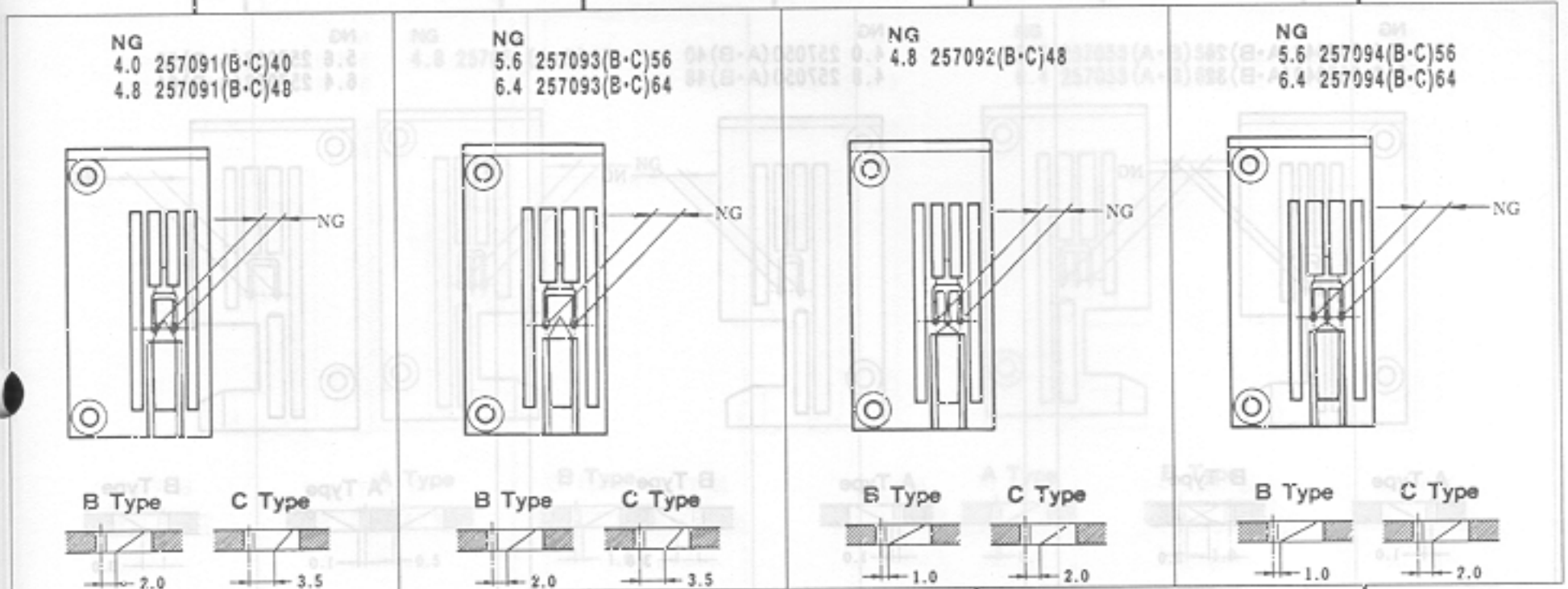
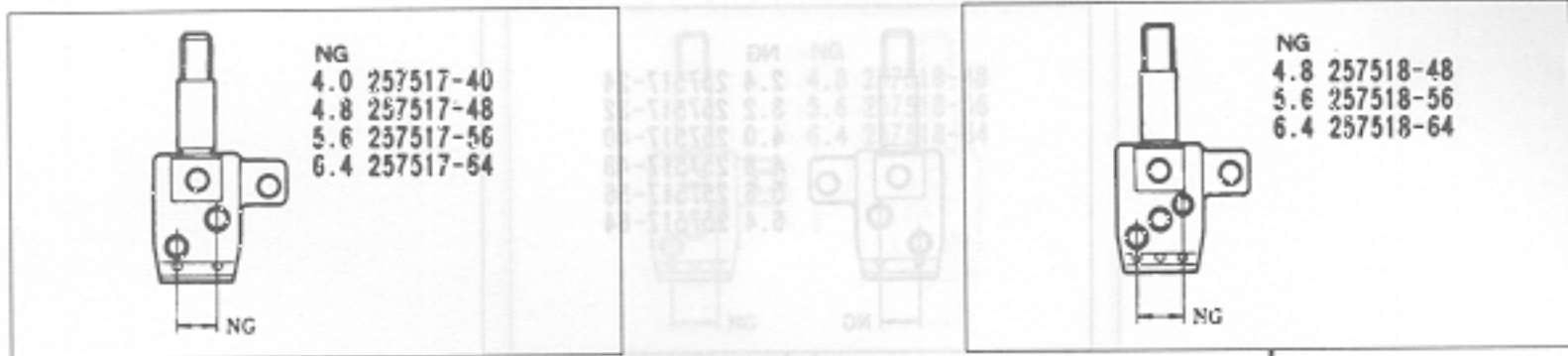


W541・542-03DB,DC
× 240・248・256・264

W541・542-03DB,DC
× 348・356・364

機種 MACHINE	針板 NEEDLE PLATE
W541・542-03DB	B TYPE
W541・542-03DC	C TYPE

ルーバー、針受は76頁を参照してください。
See page 76 for the looper and needle guards.



W541・542-03EB,EC
X 240・248・256・264

W541・542-03EB,EC
X 348・356・364

機種 MACHINE	針板 NEEDLE PLATE
W541・542-03EB	B TYPE
W541・542-03EC	C TYPE

ルーバー、針受は76頁を参照してください。
See page 76 for the looper and needle guards.

カバー機構(3)

CRANKSHAFT DRIVE COVER (3)

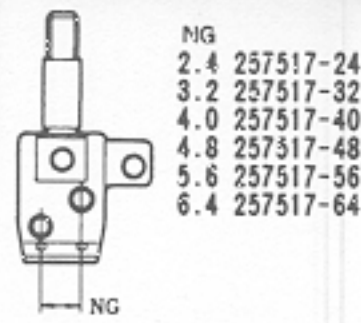
REF. NO.	PART NO. 部品番号	名称	NAME	QT.
1	250074ASD	ベッドカバー(右)	BED COVER (RIGHT)	1
2	27021B91	平ネジ / M4 × 1.2	SCREW	4
* 3	250071-91	カバー	SLIDE PLATE	1
* 4	250039-SD	横カバー(組)	SIDE COVER COMPLETE	1
* 5	250035-92	横カバー	SIDE COVER ASSEMBLY	1
* 6	250036	ヒンジ	HINGE	1
7	250037	ピン付ネジ / M4	SCREW	1
8	201191	皿バネ	SPRING	2
9	250038-92	ピン付ネジ / M4	SCREW	1
10	24535	止ネジ / M3 × 4	SCREW	2
11	7020	平ネジ / M4 × 1.0	SCREW	2
12	210025	振動止メ	CUSHION	2
13	7020	平ネジ / M4 × 1.0	SCREW	1
14	24821	六角ナット / M4	NUT	1
15	250047	ブラケット	BRACKET	1
16	7019	平ネジ / M4 × 1.5	SCREW	2
17	206023	板バネ	FLAT SPRING	1
18	7018	平ネジ / M4 × 6	SCREW	2
19	7089	ピン付ネジ / M4 × 5	SCREW	1
20	250534	バランサウエイト	BALANCE WEIGHT	1
21	7011	平ネジ / M3 × 8	SCREW	2
22	206837	ワッシャー	O-RING	1
23	250506	継手	JOINT	1
24	4547	止ネジ / M6 × 5	SCREW	3
25	4555	止ネジ / M6 × 8	SCREW	1
26	250518-91	軸受(プッシュ)	BUSHING	1
27	4547	止ネジ / M6 × 5	SCREW	2
28	206837	Oリング	O-RING	1
29	250543A91	軸受(プッシュ)	BUSHING	1
30	4547	止ネジ / M6 × 5	SCREW	2
31	250511-91	ギヤ(下)	GEAR (POWER)	1
32	4547	止ネジ / M6 × 5	SCREW	4
33	206050C	タイミングベルト	TIMING BELT	1
34	250530-91	軸受(プッシュ)	BUSHING	1
35	4555	止ネジ / M6 × 8	SCREW	1
36	4547	止ネジ / M6 × 5	SCREW	1
37	250514	止メ板	SET PLATE	1
38	7082	平ネジ / M4 × 8	SCREW	2
39	250507	軸	SHAFT	1
40	250515A	プラー	MACHINE PULLEY	1
41	4556	止ネジ / M6 × 1.6	SCREW	1
42	4541	止ネジ / M6 × 8	SCREW	1
43	240126	ワッシャー	WASHER	1
44	4500	平ネジ / M5 × 1.0	SCREW	1

*=販売不可 (Not for sale.)

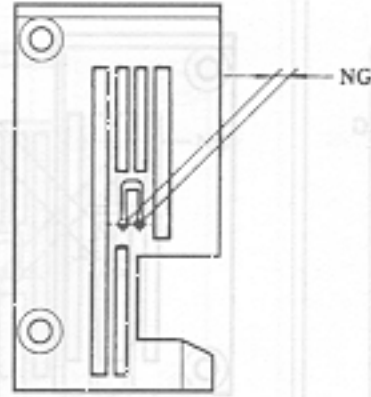
W561・W562-05BA, BB W561・W562-05CA, CB

ゲージパーツ 系列構成図

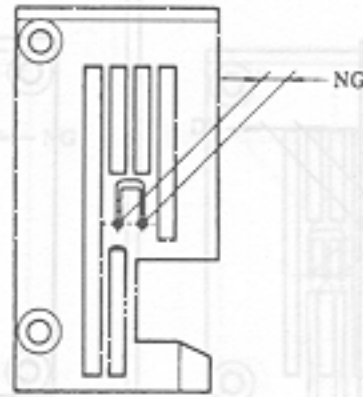
GAUGE PARTS
CONSTRUCTION CHART



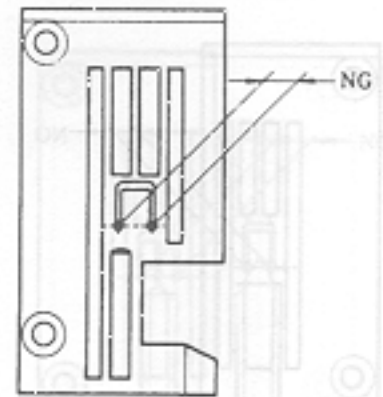
NG
2.4 257049 (A・B) 24
3.2 257049 (A・B) 32



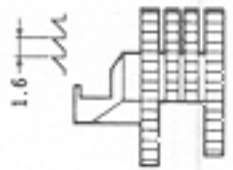
NG
4.0 257050 (A・B) 40
4.8 257050 (A・B) 48



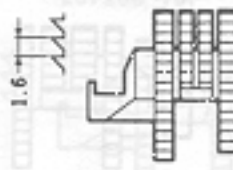
NG
5.6 257052 (A・B) 56
6.4 257052 (A・B) 64



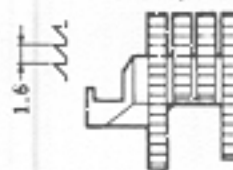
257220-16F(-05B)



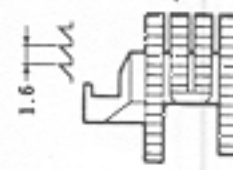
257220A16F(-05C)



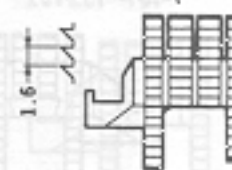
257221-16F(-05B)



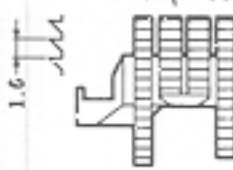
257221A16F(-05C)



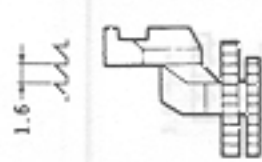
257222-16F(-05B)



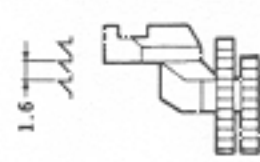
257222A16F(-05C)



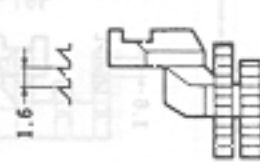
257266-16F



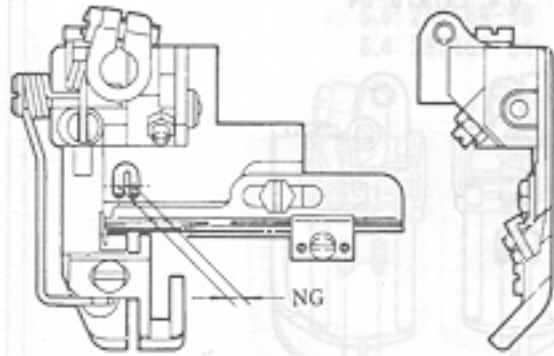
257267-16F



257268-16F

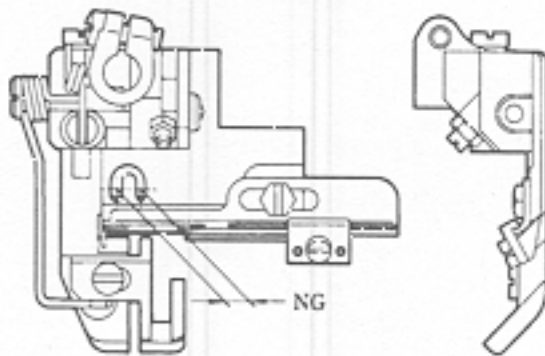


NG
2.4 257327A24
3.2 257327A32



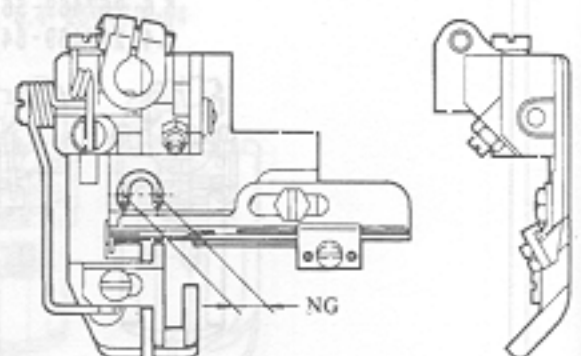
W561・562-05BA, BB, CA, CB
x 224・232

NG
4.0 257328A40
4.8 257328A48



W561・562-05BA, BB, CA, CB
x 240・248

NG
5.6 257329A56
6.4 257329A64

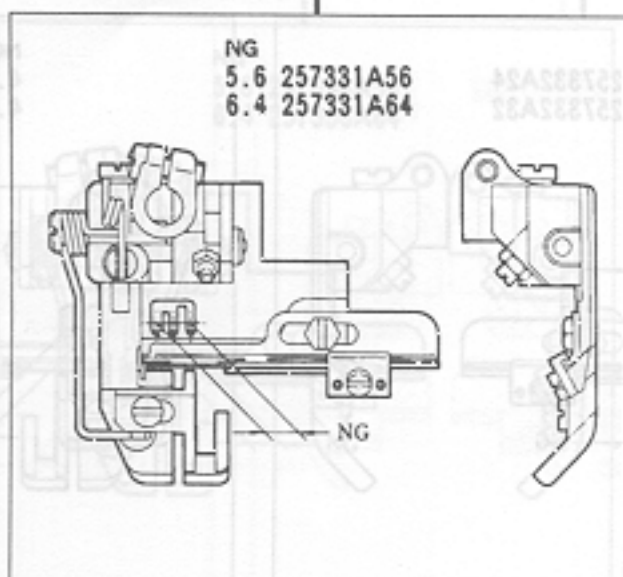
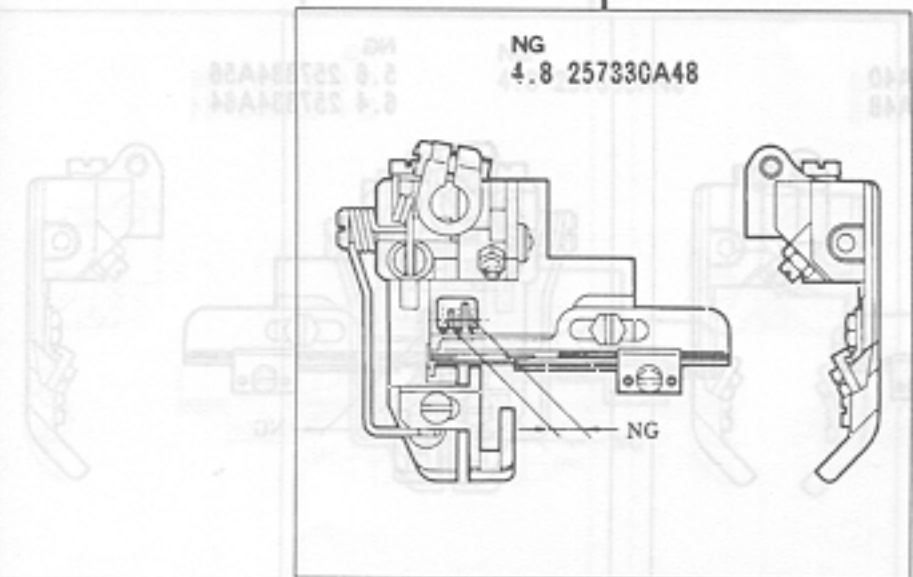
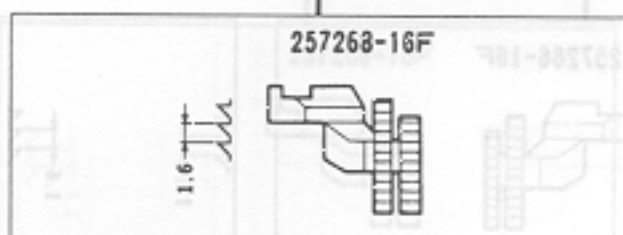
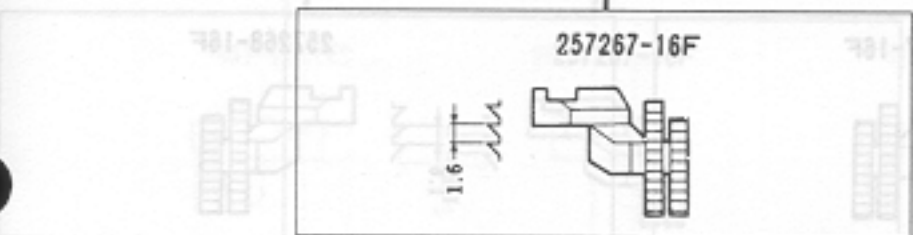
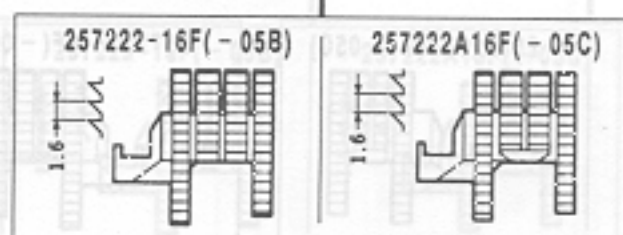
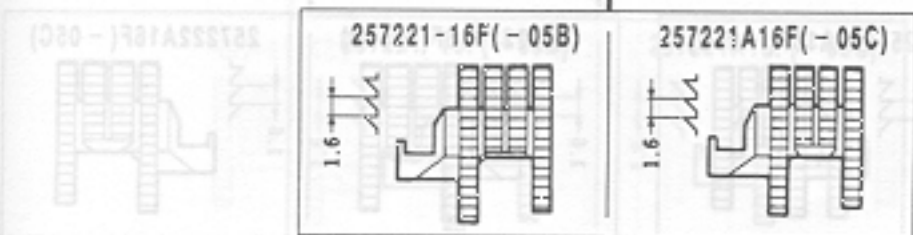
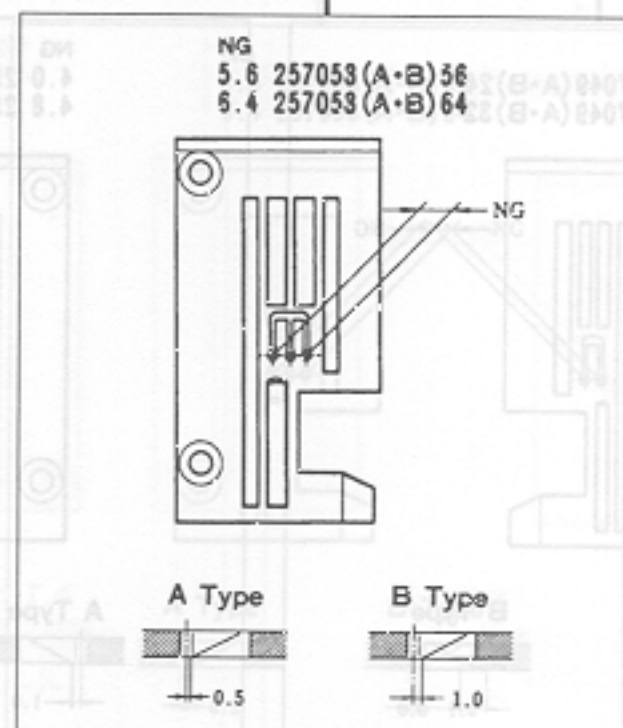
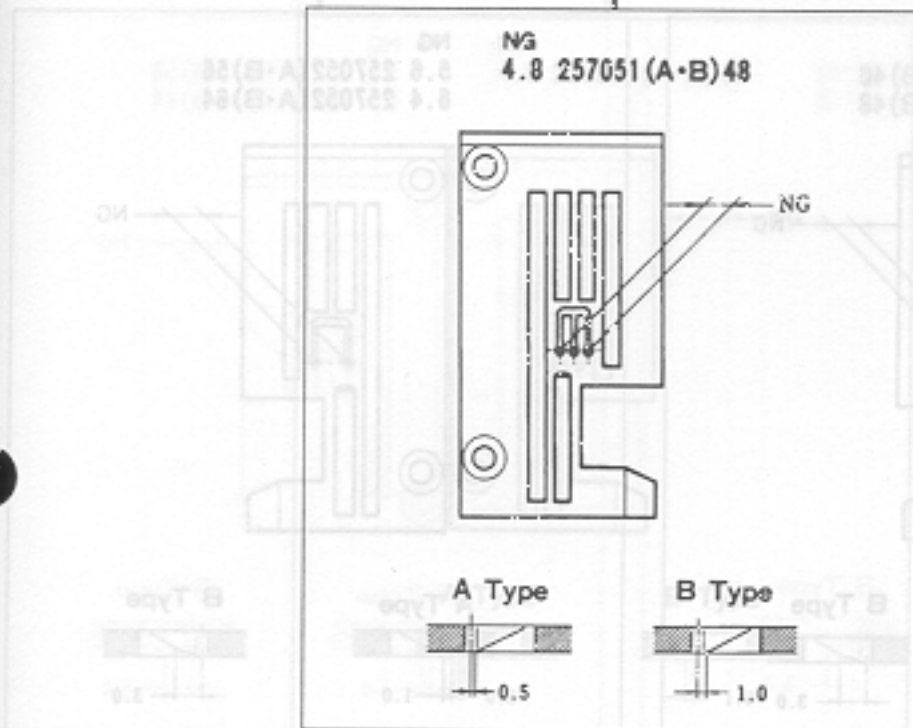
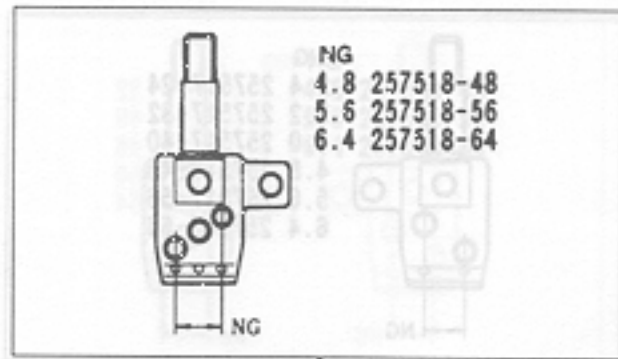


W561・562-05BA, BB, CA, CB
x 256・264

機種 MACHINE	針板 NEEDLE PLATE
W561・562-05BA, CA	A TYPE
W561・562-05BB, CB	B TYPE

ルーパー、スプレッター、針受は76頁を参照してください。
See page 76 for the looper, spreader and needle guards.

W561・W562-05BA, BB
W561・W562-05CA, CB

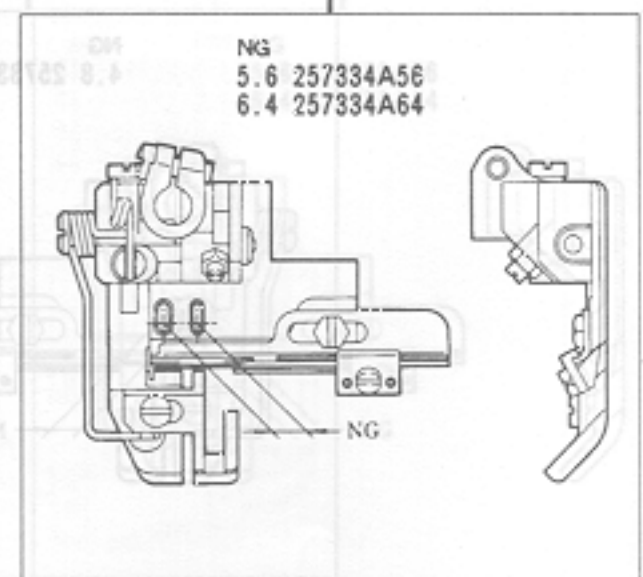
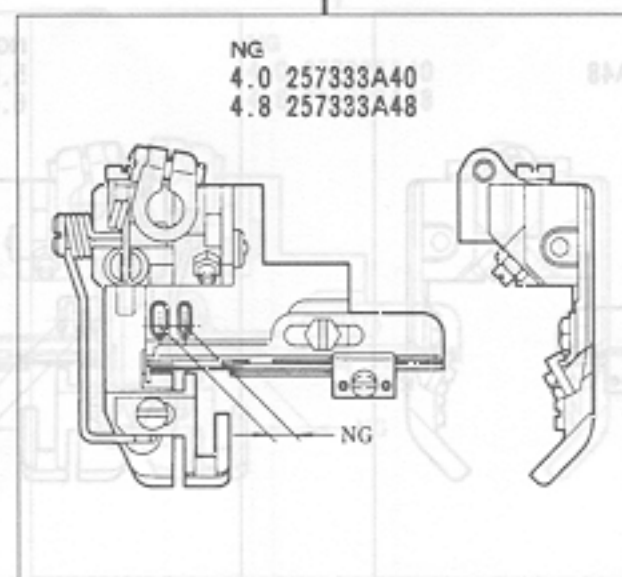
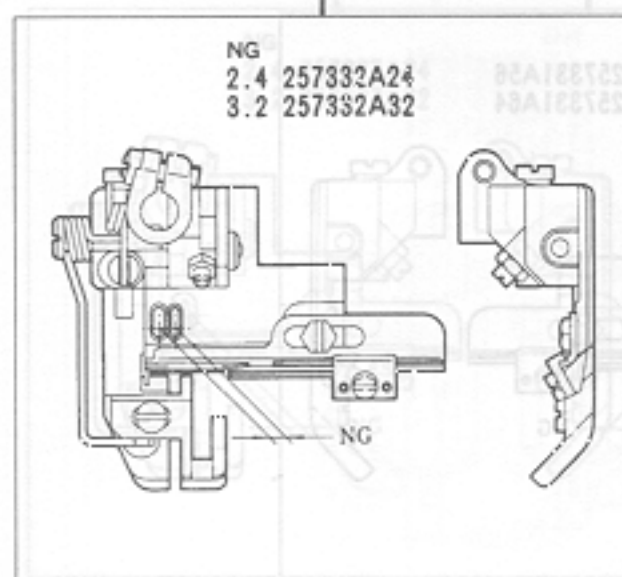
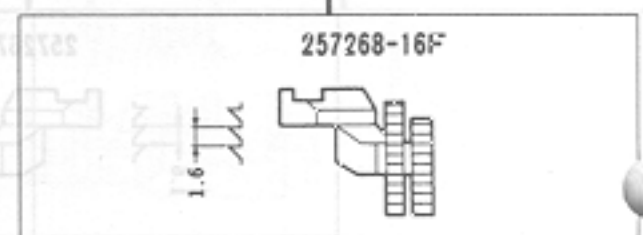
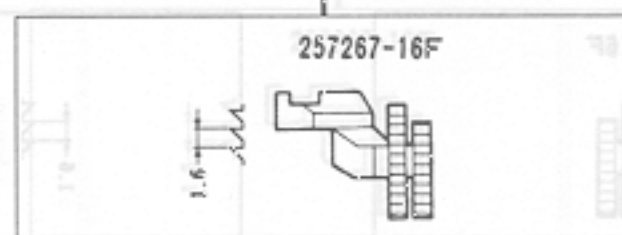
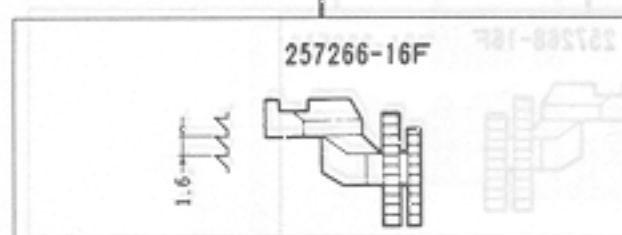
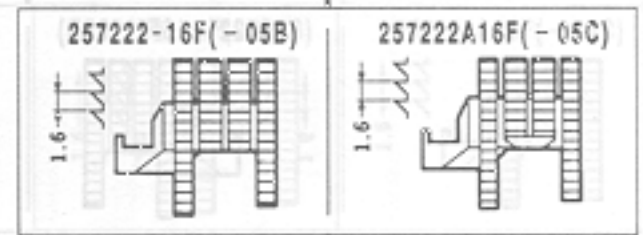
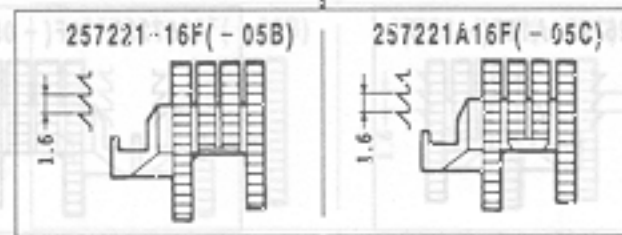
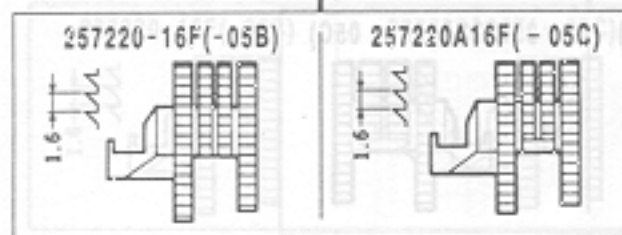
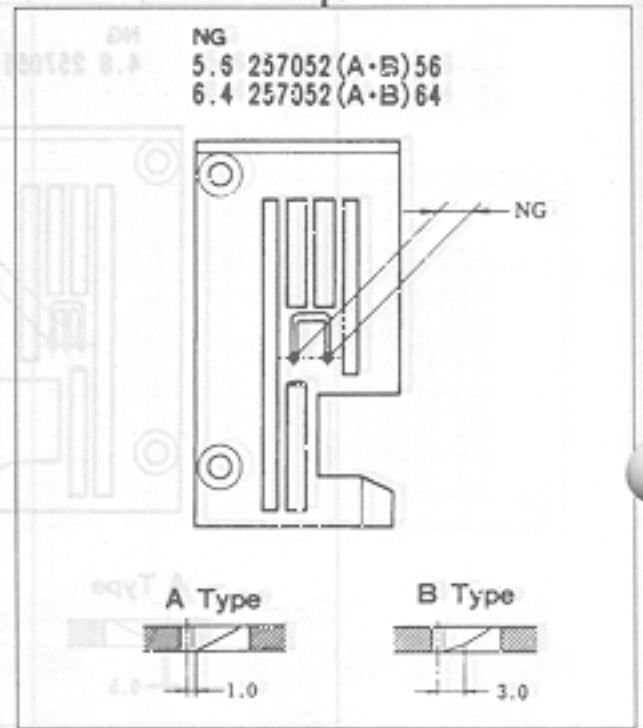
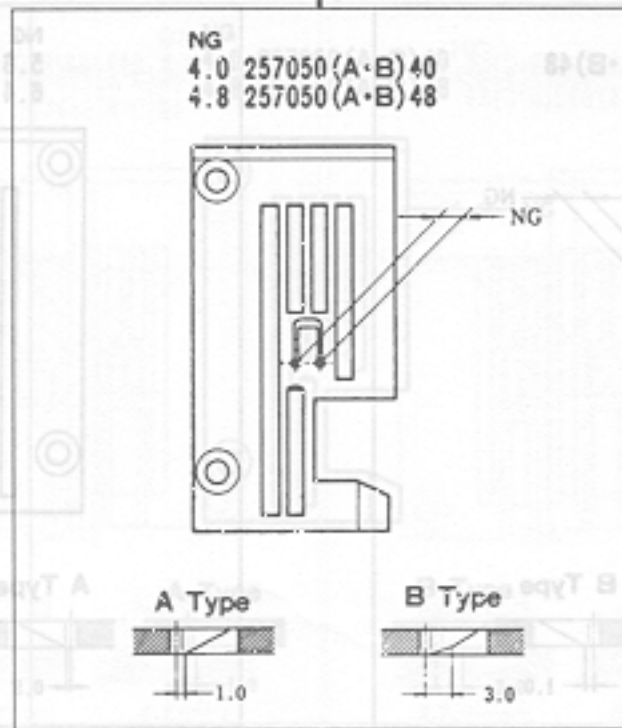
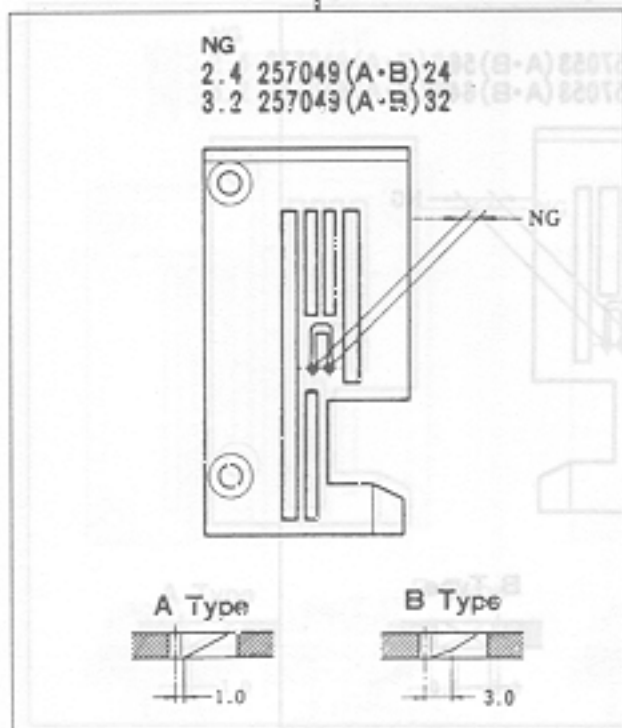
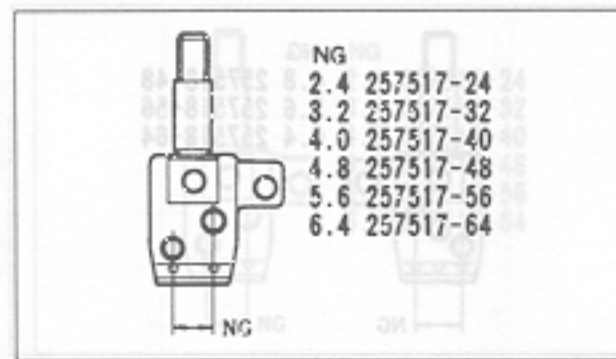


W561・562-05BA, BB, CA, CB
× 348

W561・562-05BA, BB, CA, CB
× 356・364

機種 MACHINE	針板 NEEDLE PLATE
W561・562-05BA, CA	A TYPE
W561・562-05BB, CB	B TYPE

ルーパー、スプレッター、針受は76頁を参照してください。
See page 76 for the looper, spreader and needle guards.



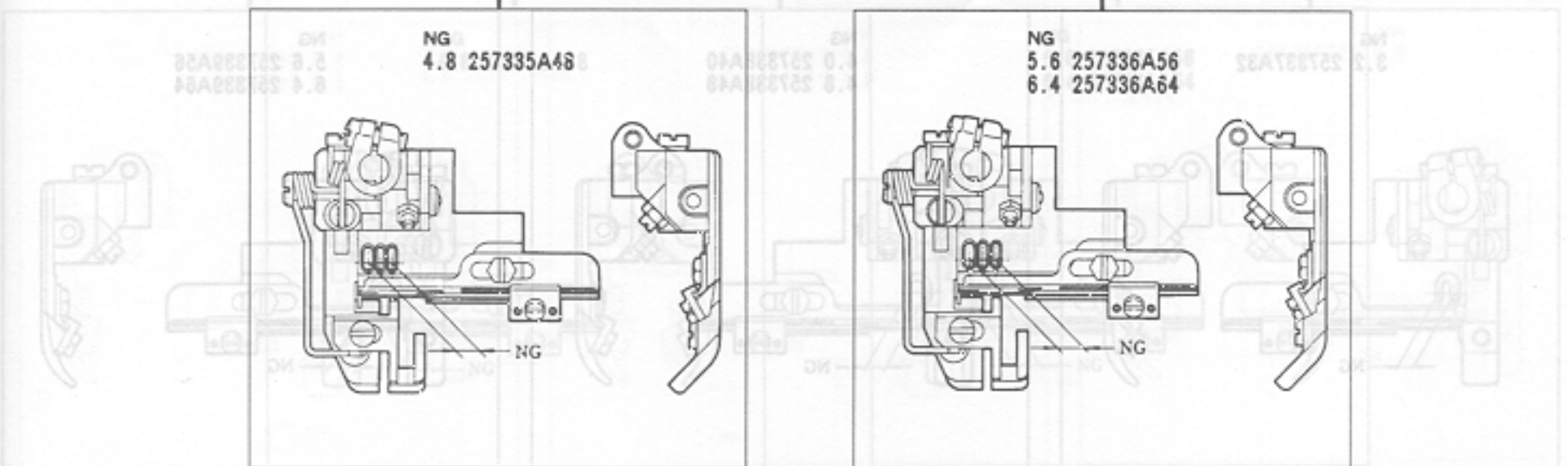
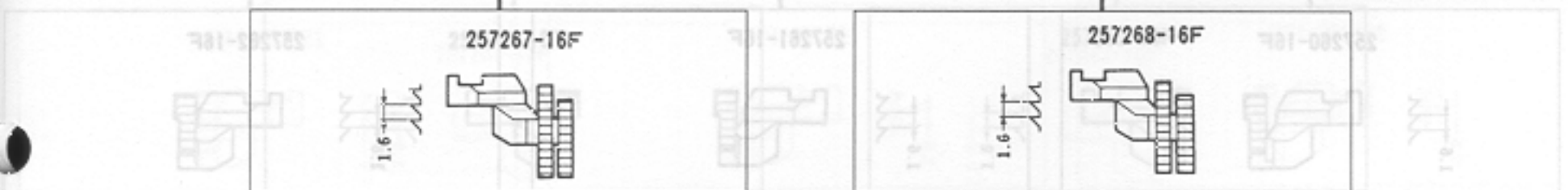
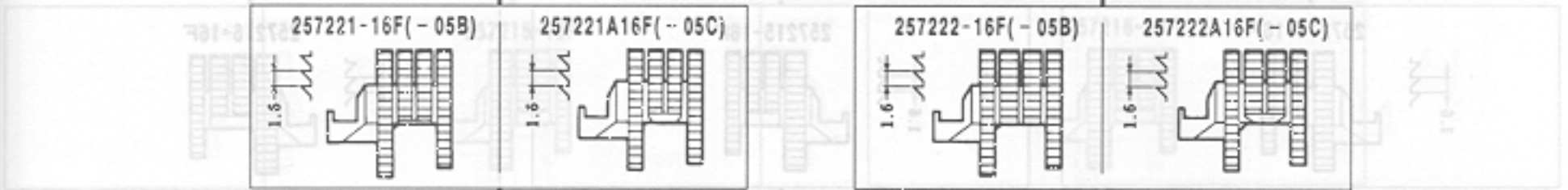
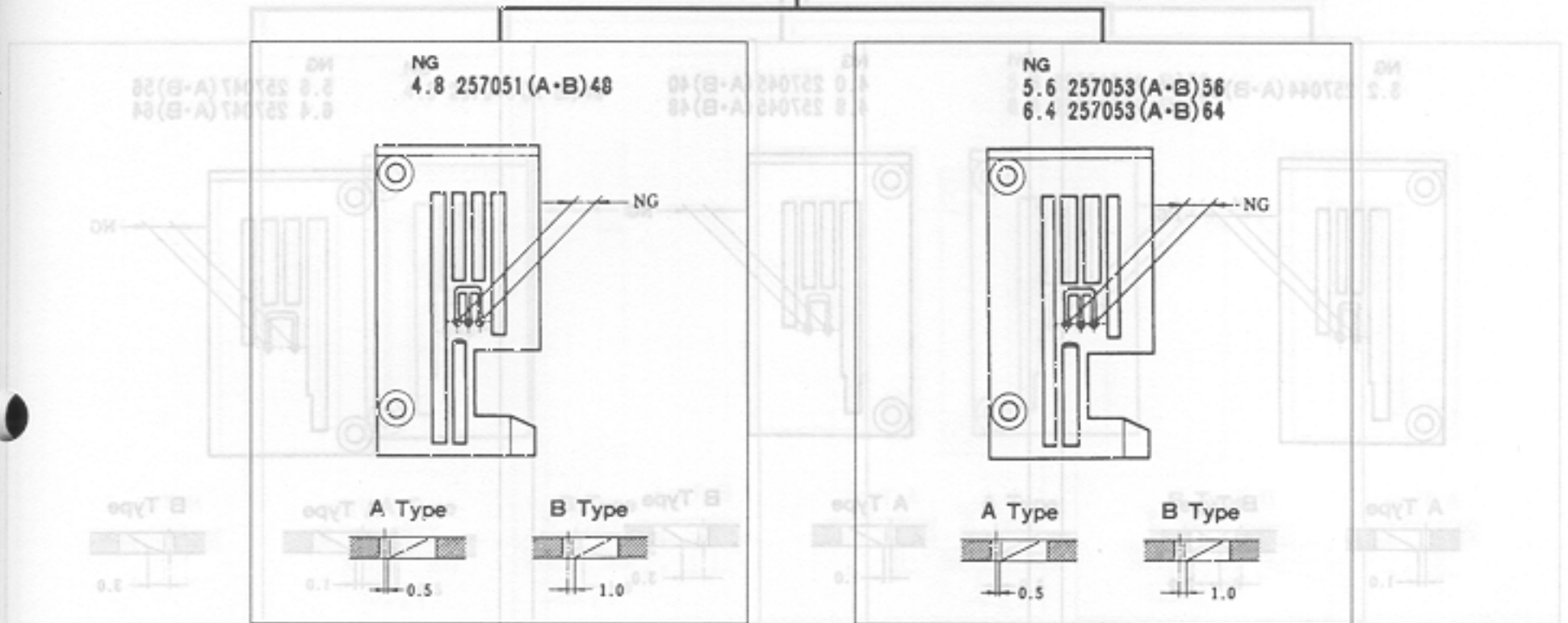
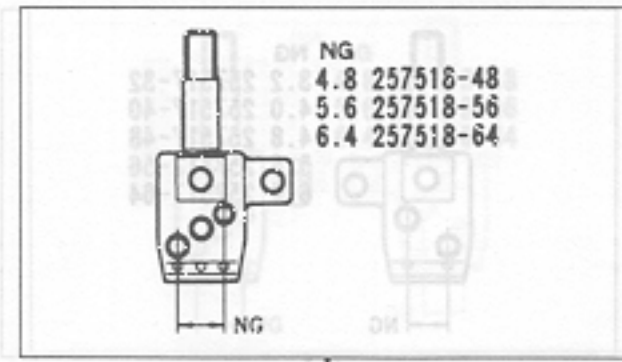
W541・542-05BA, BB, CA, CB
× 224・232

W541・542-05BA, BB, CA, CB
× 240・248

W541・542-05BA, BB, CA, CB
× 256・264

機種 MACHINE	針板 NEEDLE PLATE
W541・542-05BA, CA	A TYPE
W541・542-05BB, CB	B TYPE

ルーバー、針受は76頁を参照してください。
See page 76 for the looper and needle guards.



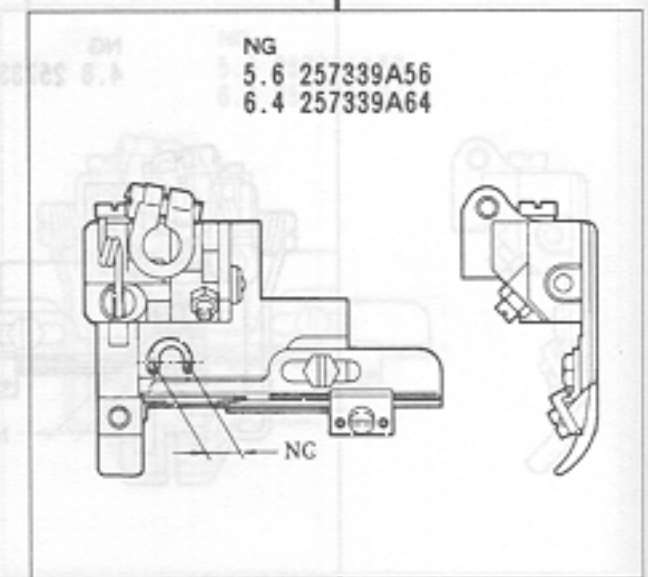
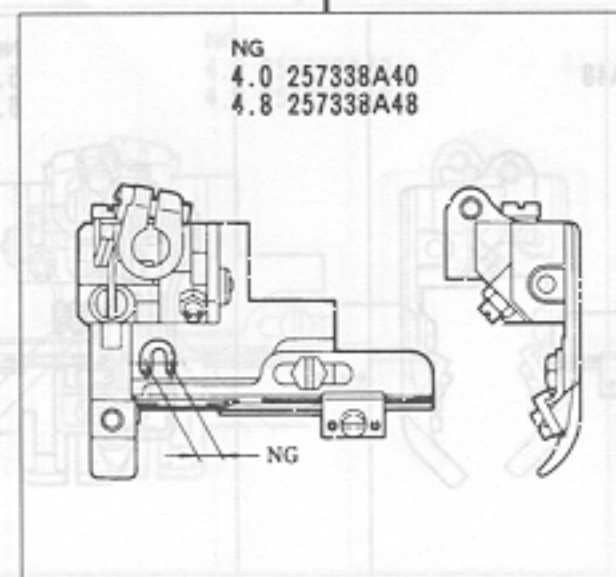
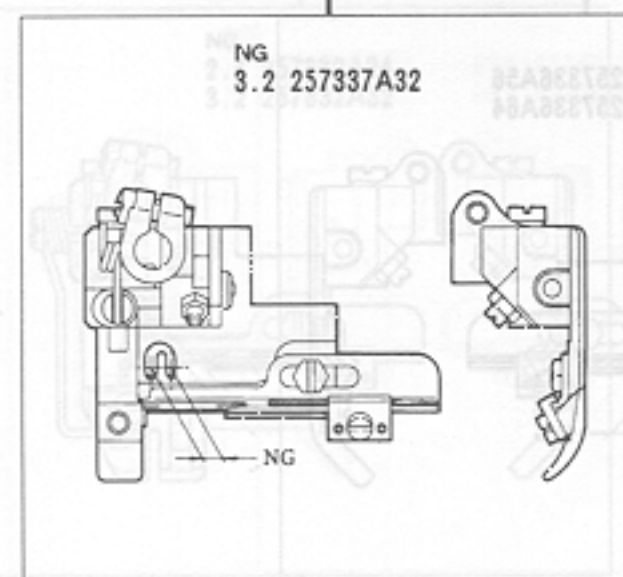
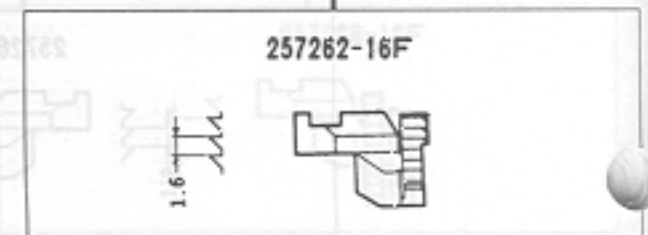
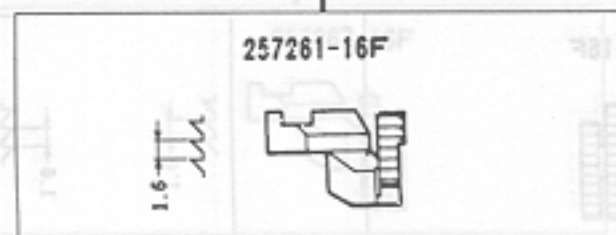
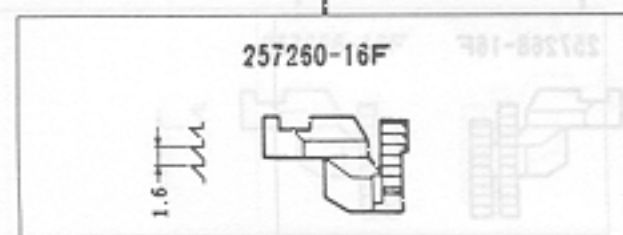
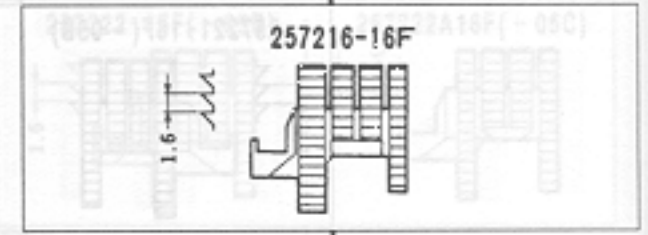
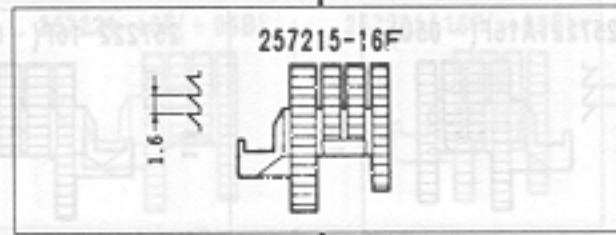
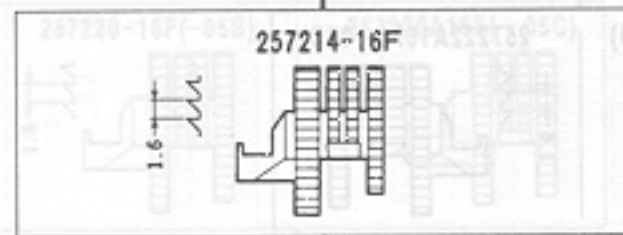
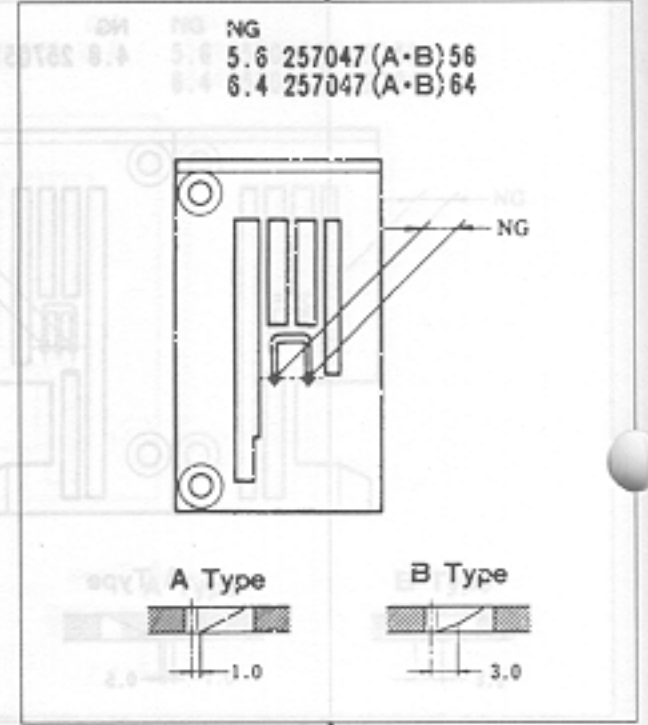
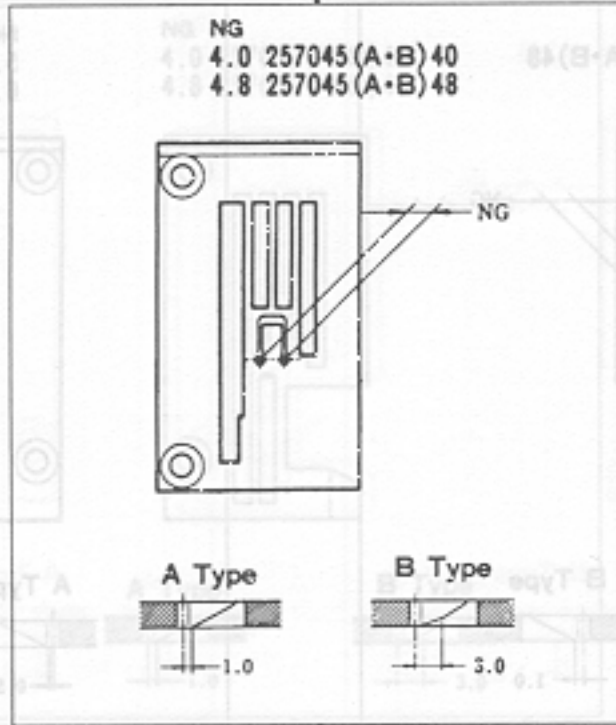
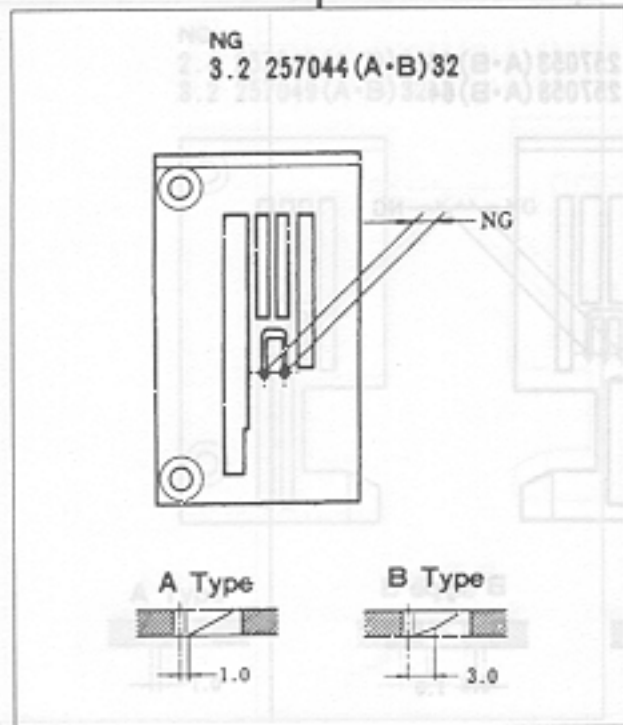
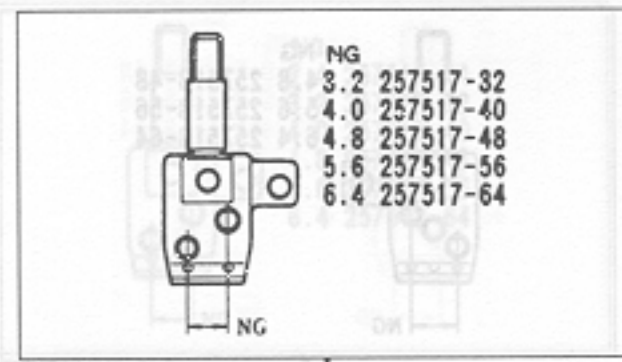
W541・542-05BA, BB, CA, CB
X 348

W541・542-05BA, BB, CA, CB
X 358・364

機種 MACHINE	針板 NEEDLE PLATE
W541・542-05BA, CA	A TYPE
W541・542-05BB, CB	B TYPE

ルーバー、針受は76頁を参照してください。
See page 76 for the looper and needle guards.

W561・W562
-06・07BA, BB



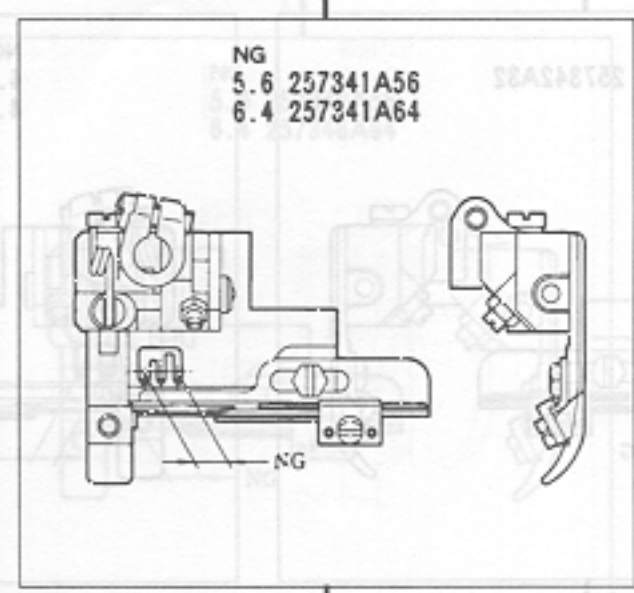
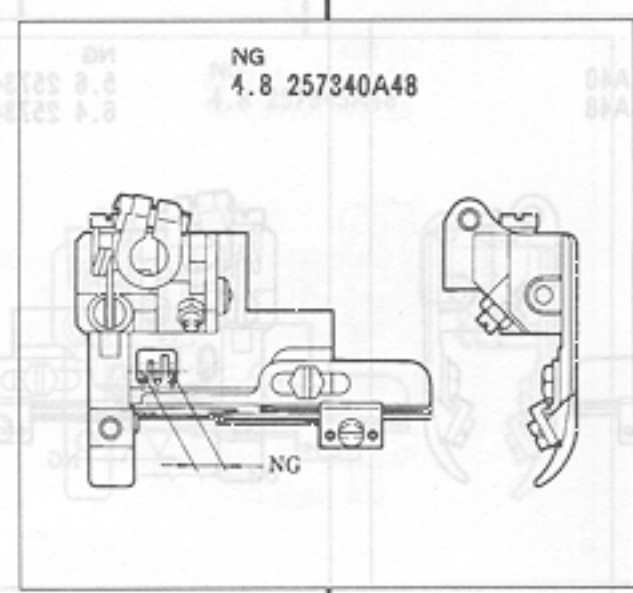
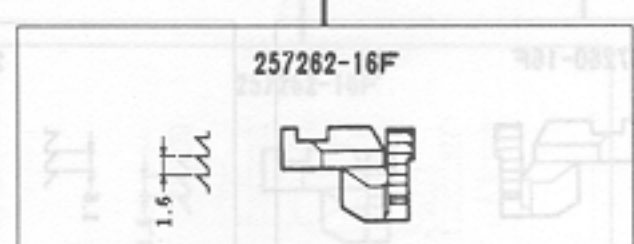
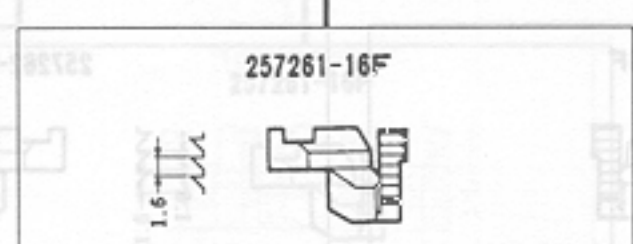
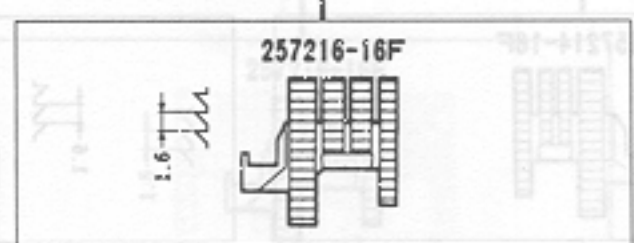
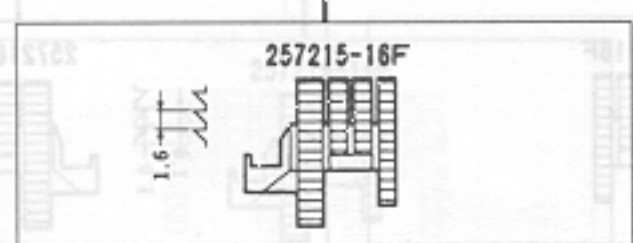
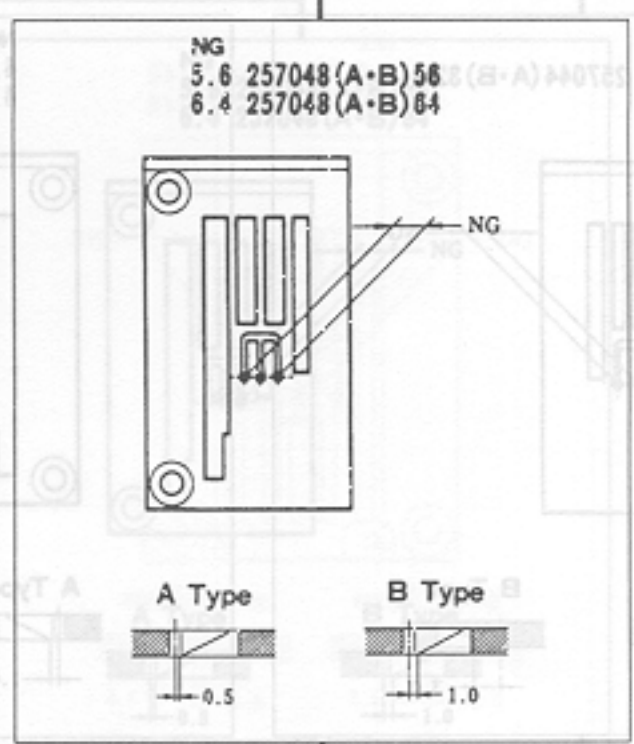
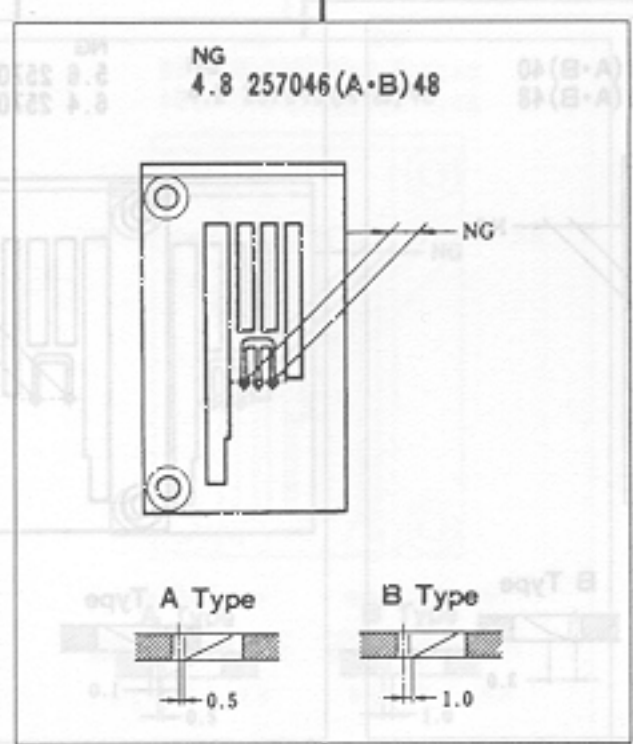
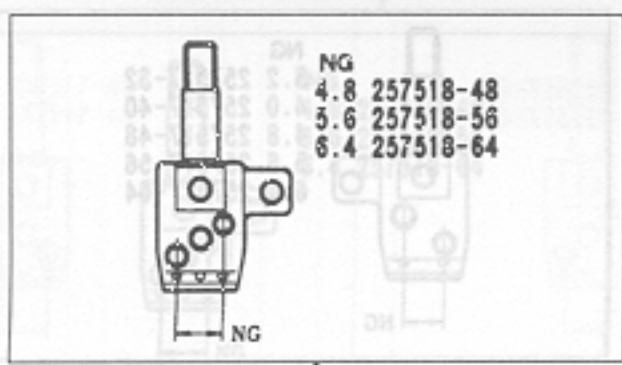
W561-562-06-07BA, BB
x 232

W561-562-06-07BA, BB
x 240-248

W561-562-06-07BA, BB
x 256-264

機種 MACHINE	針板 NEEDLE PLATE
W561-562-06-07BA	A TYPE
W561-562-06-07BB	B TYPE

ルーバー、スプレッター、針受は76頁を参照してください。
See page 76 for the looper, spreader and needle guards.

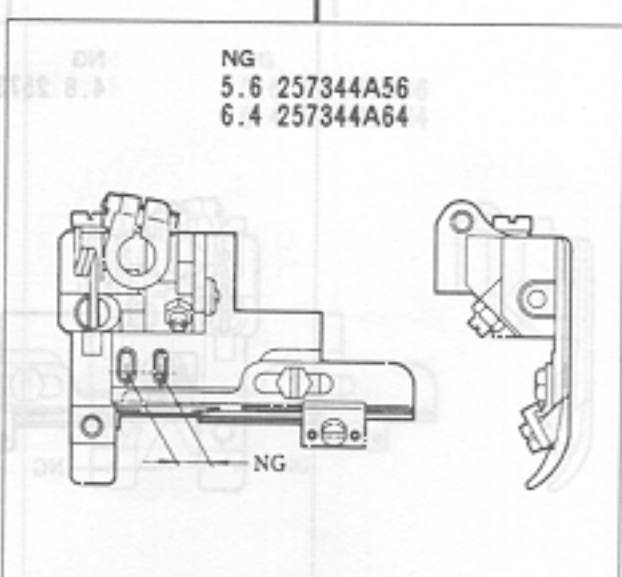
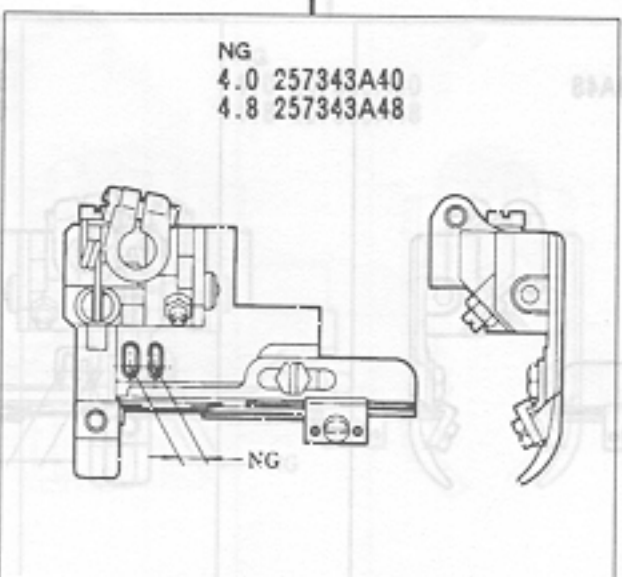
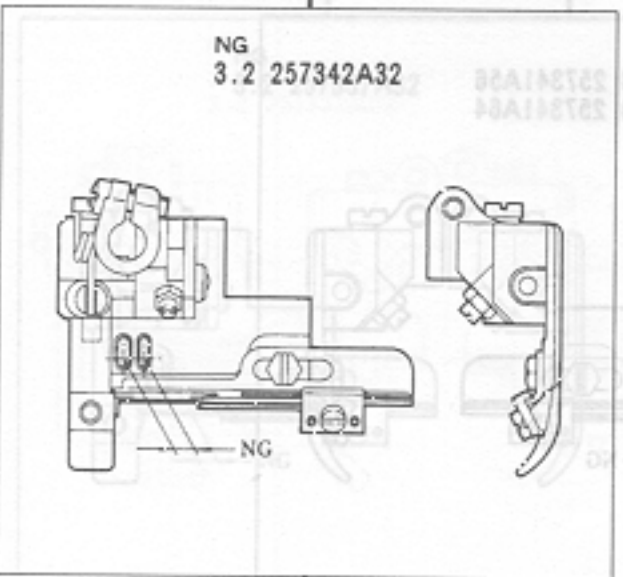
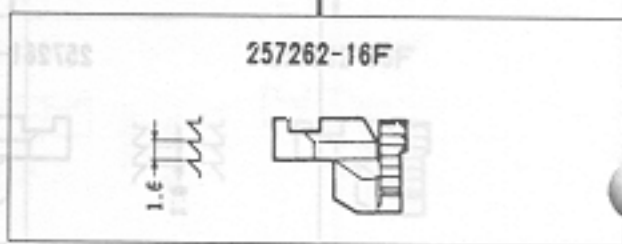
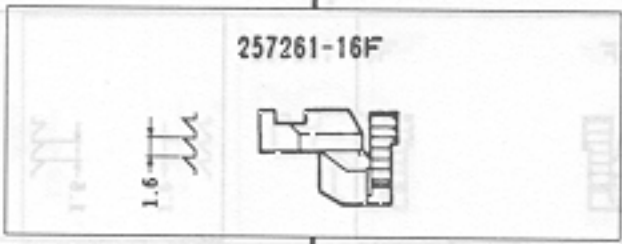
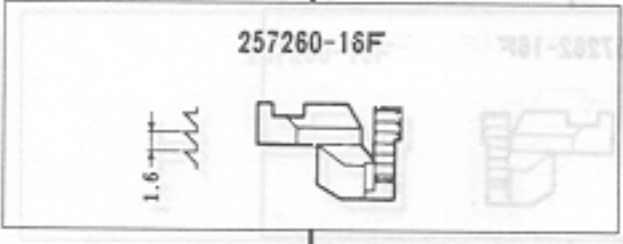
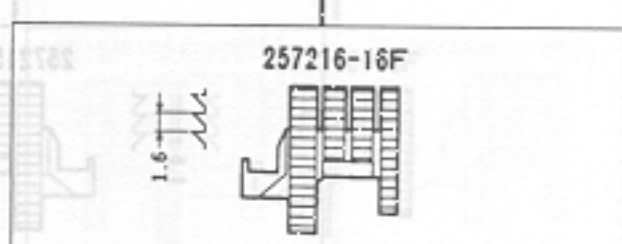
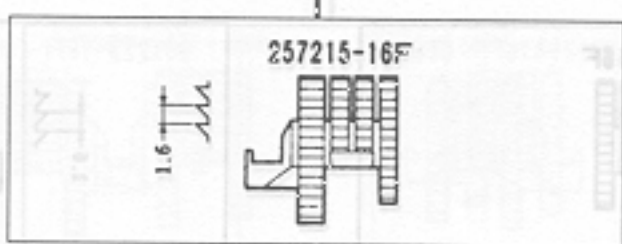
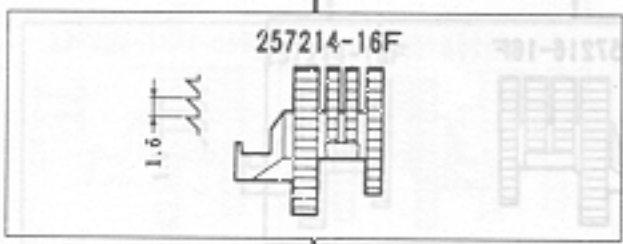
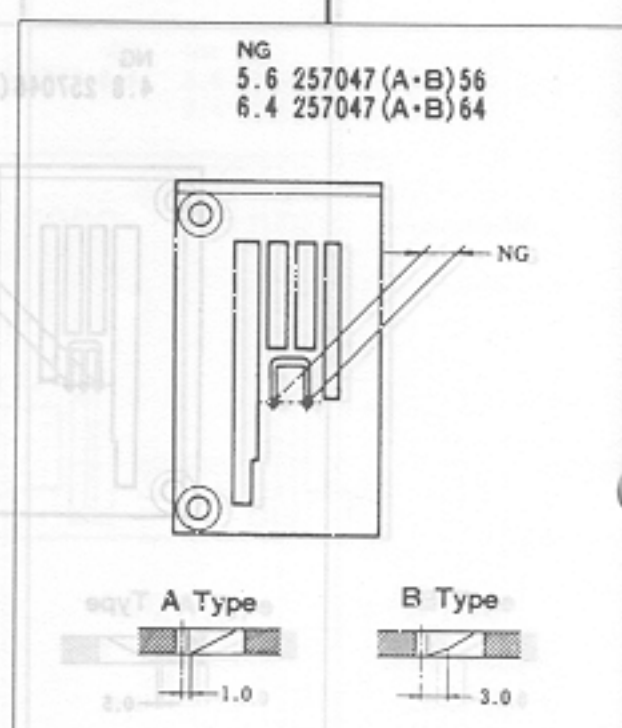
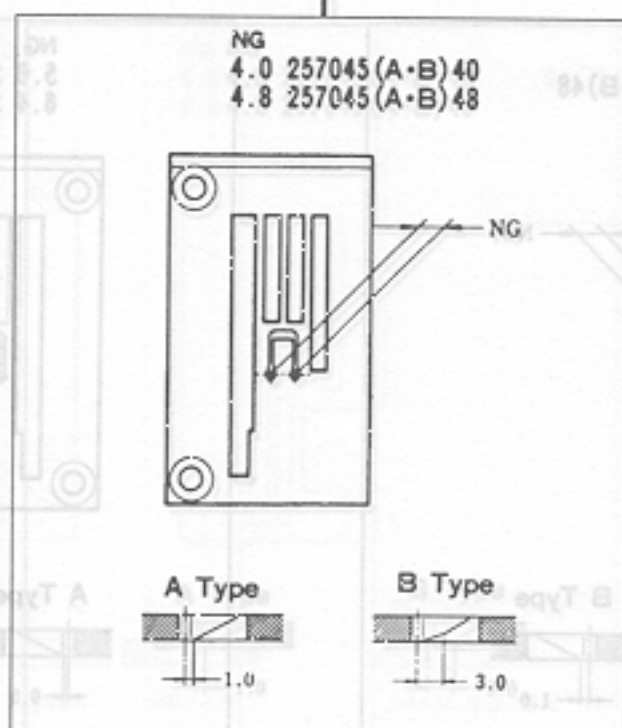
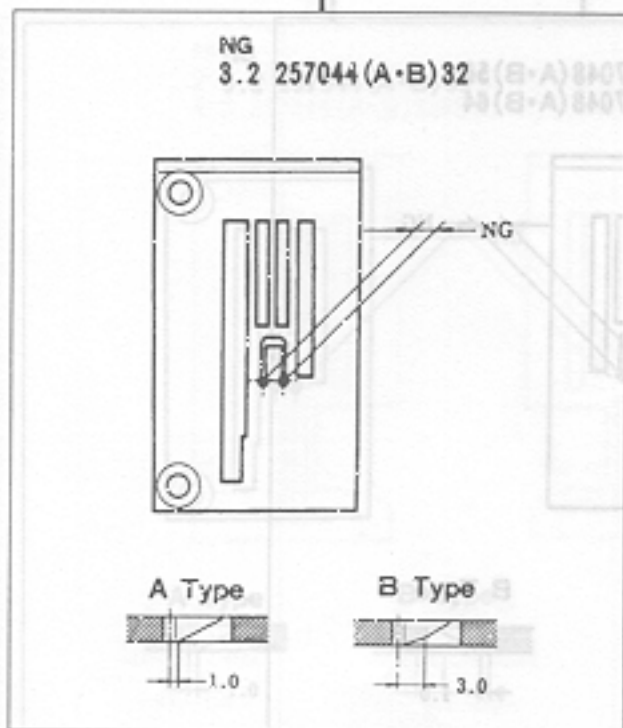
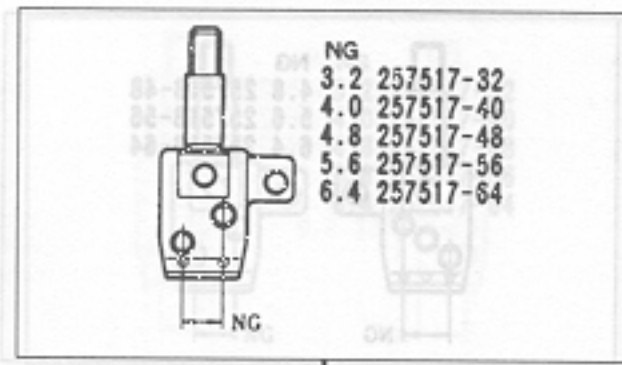


W561・562-06・07BA, BB
× 348

W561・562-06・07BA, BB
× 356・364

機種 MACHINE	針板 NEEDLE PLATE
W561・562-06・07BA	A TYPE
W561・562-06・07BB	B TYPE

ルーパー, スプレッター, 針受は76頁を参照してください。
See page 76 for the looper, spreader and needle guards.



W541・542-06・07BA, BB
× 232

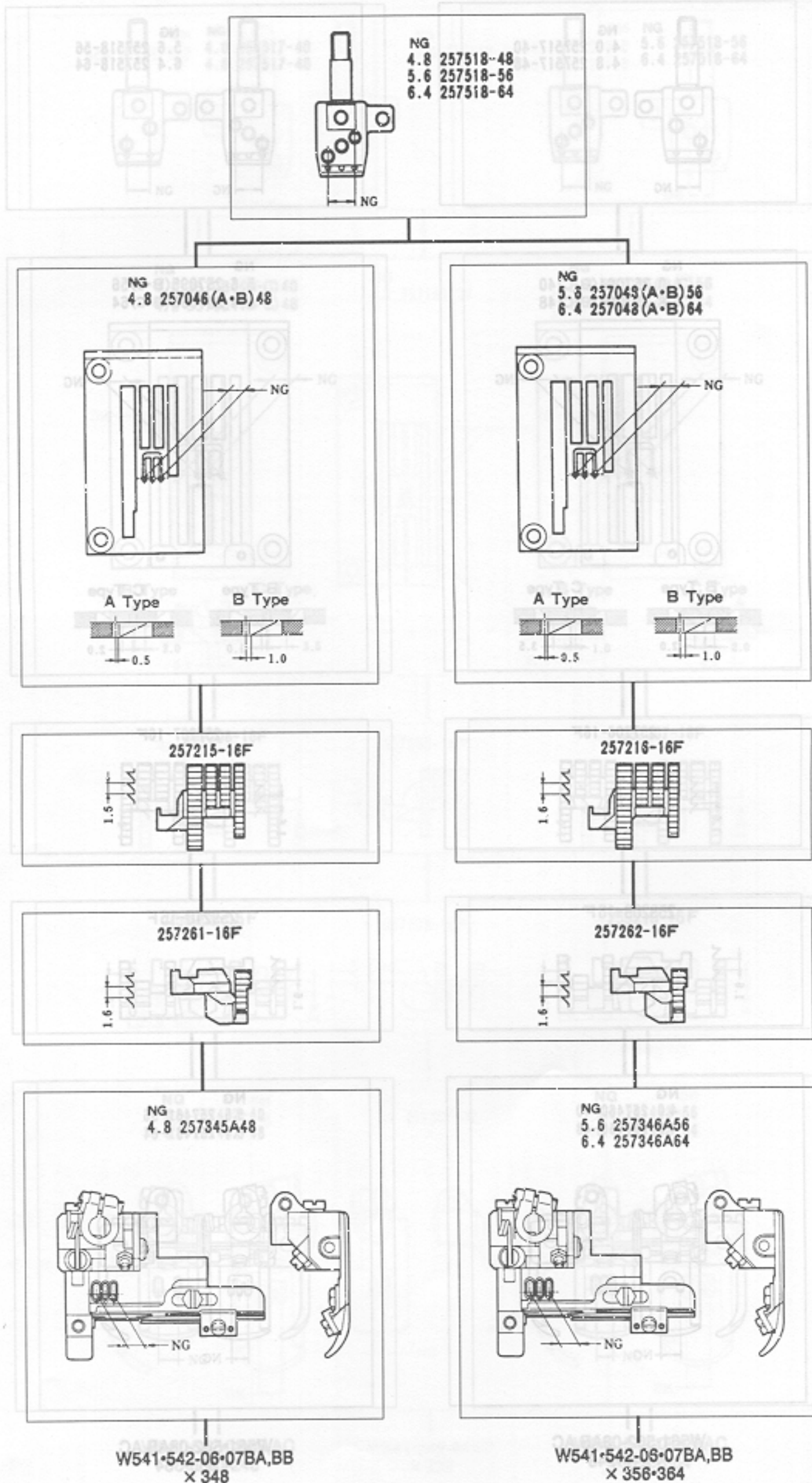
W541・542-06・07BA, BB
× 240・248

W541・542-06・07BA, BB
× 256・284

機種 MACHINE	針板 NEEDLE PLATE
W541・542-06・07BA	A TYPE
W541・542-06・07BB	B TYPE

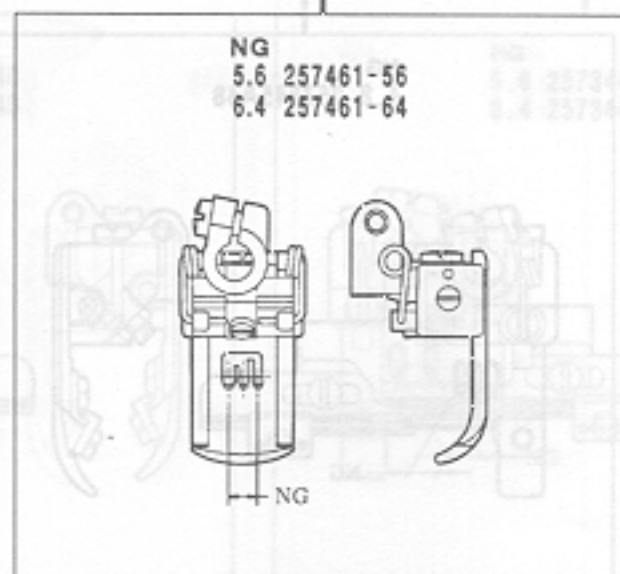
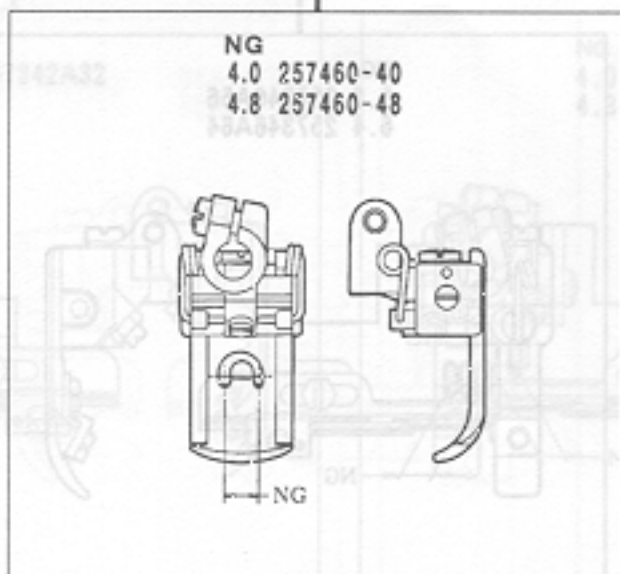
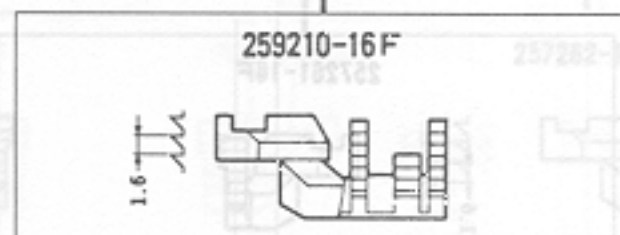
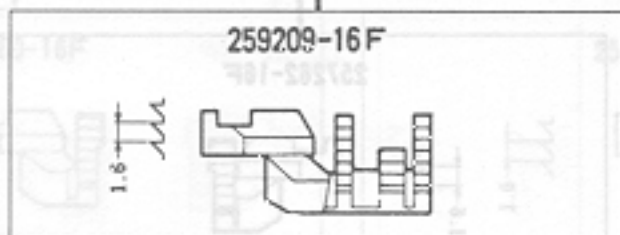
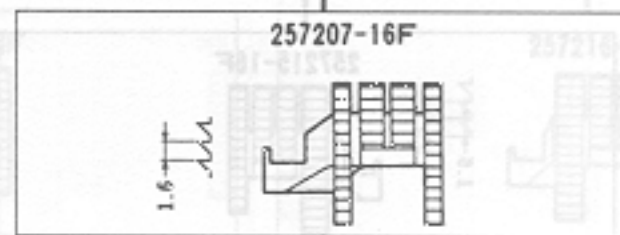
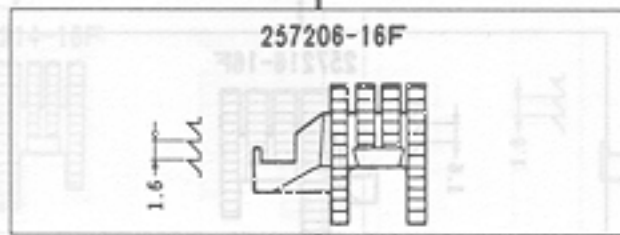
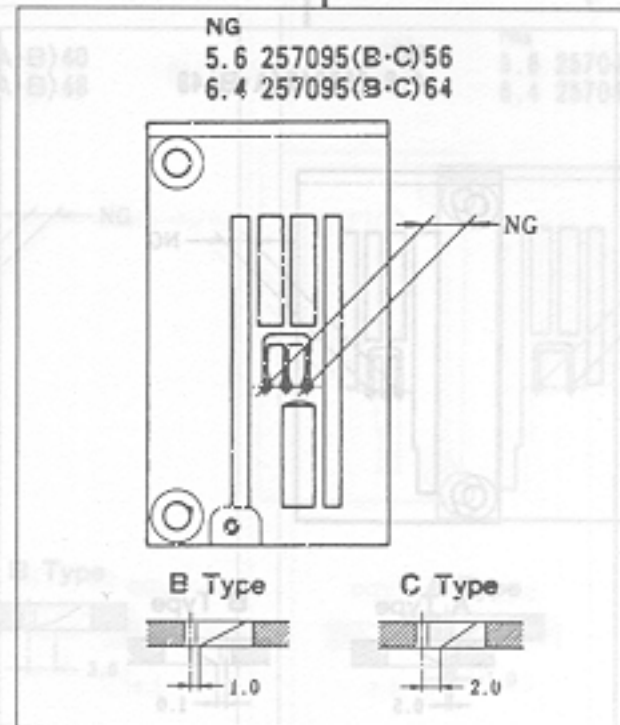
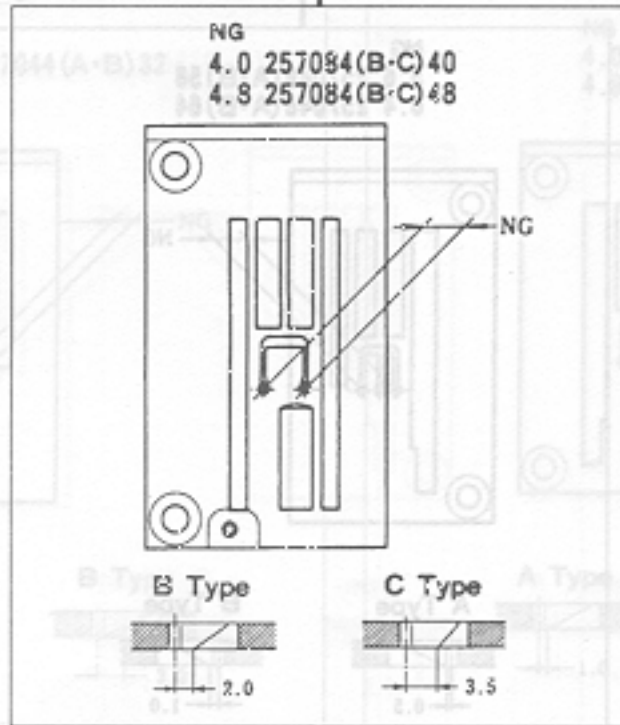
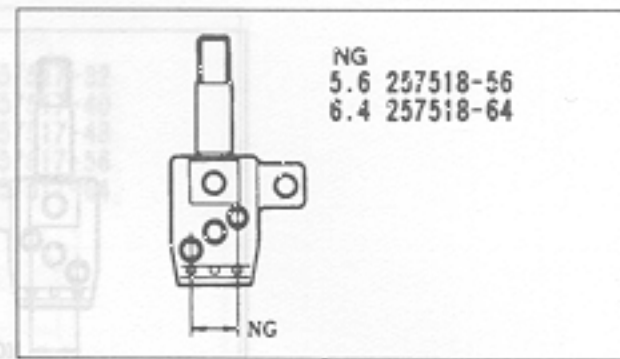
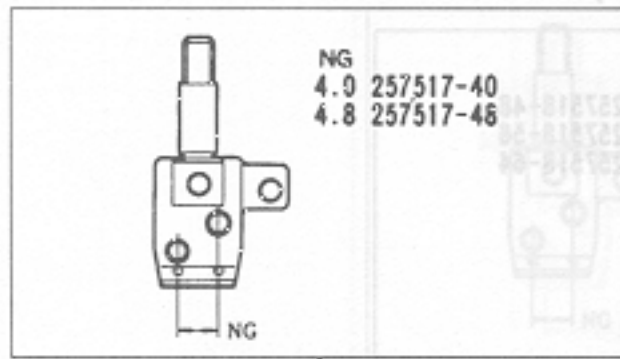
ルーバー, 針受は76頁を参照してください。
See page 76 for the looper and needle guards.

W541・W542 -06・07BA, BB



機種 MACHINE	針板 NEEDLE PLATE
W541-542-06-07BA	A TYPE
W541-542-06-07BB	B TYPE

ルーパー、針受は76頁を参照してください。
See page 76 for the looper and needle guards.



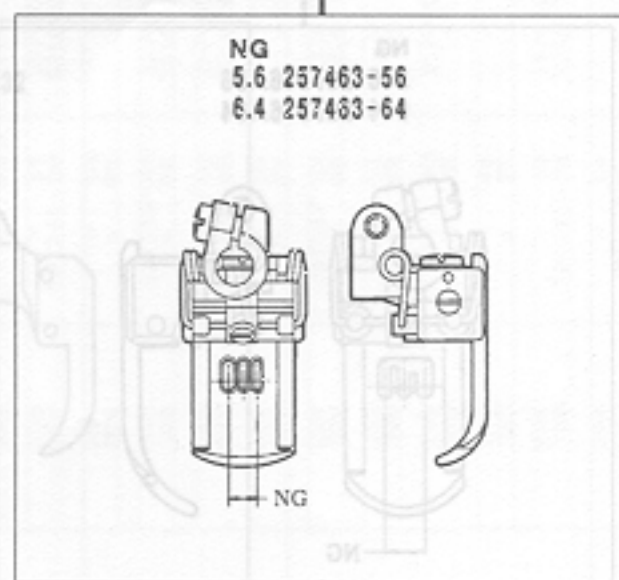
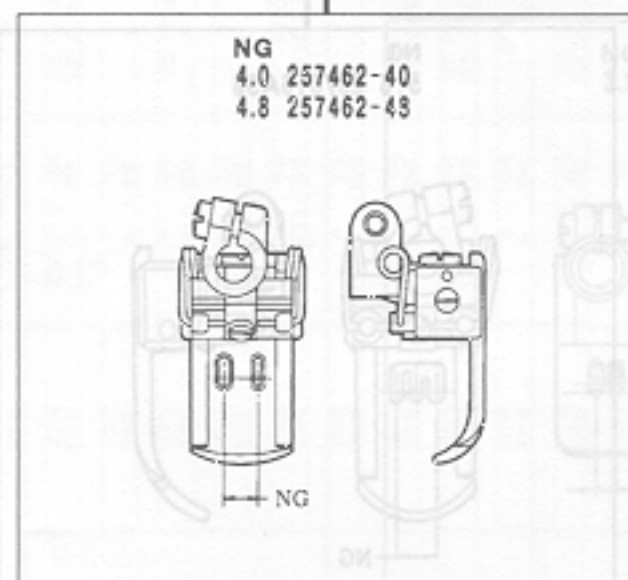
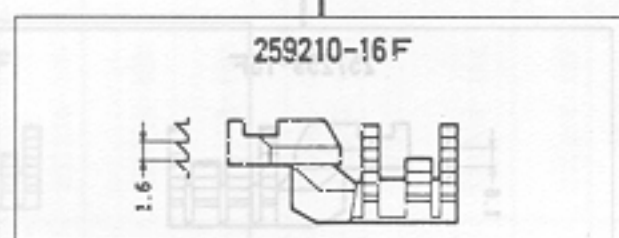
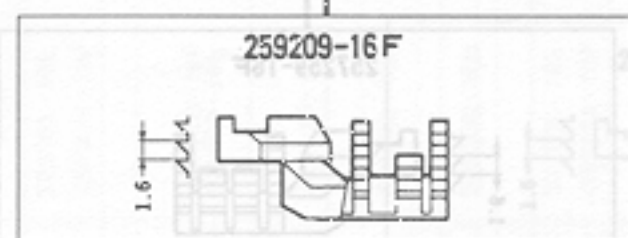
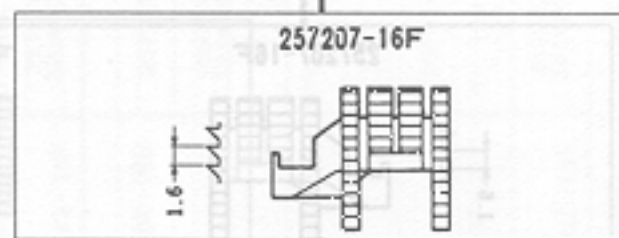
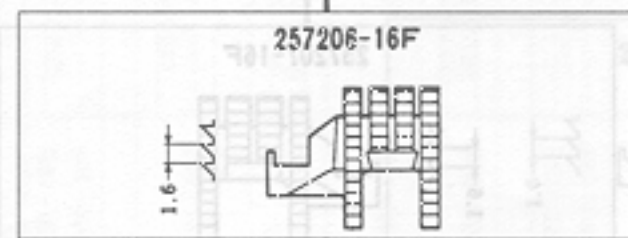
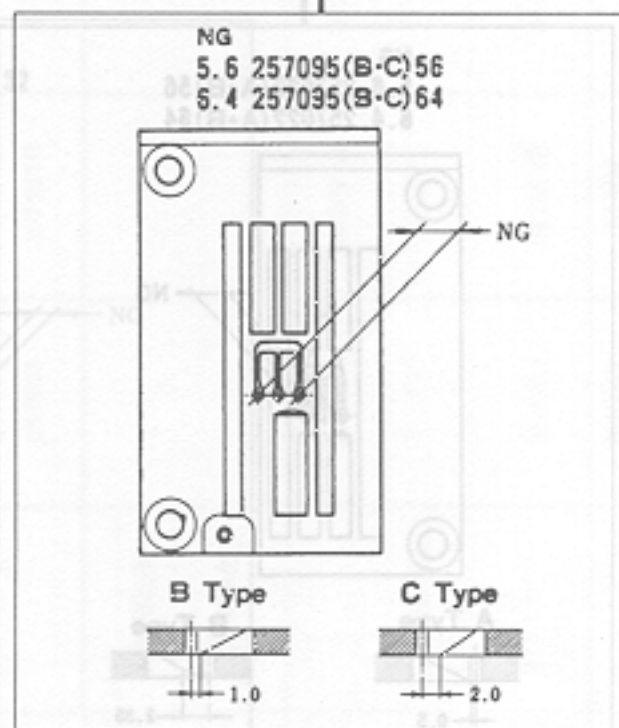
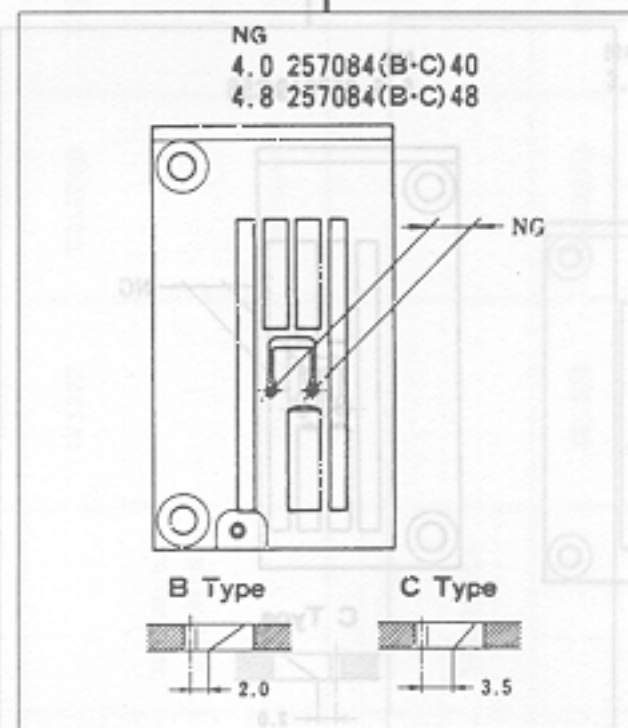
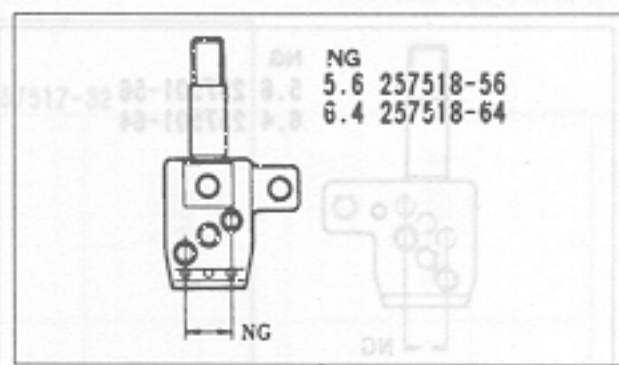
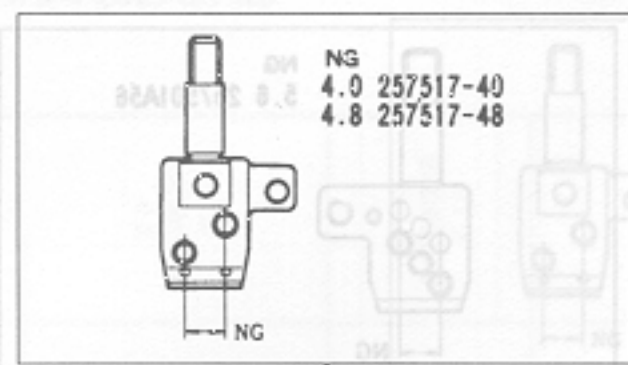
W561・562-08AB,AC
× 240・248

W561・562-08AB,AC
× 240・248

W561・562-08AB,AC
× 356・364

機種 MACHINE	針板 NEEDLE PLATE
W561・562-08AB	B TYPE
W561・562-08AC	C TYPE

ルーパー、スプレッター、針受は76頁を参照してください。
See page 76 for the looper, spreader and needle guards.



W541・542-08AB,AC
× 240・248

W541・542-08AB,AC
× 356・364

機種 MACHINE	針板 NEEDLE PLATE
W541・542-08AB	B TYPE
W541・542-08AC	C TYPE

ルーバー, 針受は76頁を参照してください。
See page 76 for the looper and needle guards.