

# JUKI®

No.0282-00

1986・8

BE009300PJA

model **LT-1040-5**  
**LT-1040-4**



一本針本縫自動糸切りしつけマシン

1-Needle Basting Lockstitcher  
with Automatic Thread Trimmer

---

## PARTS BOOK

**TOKYO JUKI INDUSTRIAL CO., LTD.**

# HOW TO MAKE USE OF THIS PARTS BOOK

## パーツブックの見方

1. The part numbers of parts shown in the figure indicate the corresponding numbers (Ref. No.) shown by the Index.  
 図に示された部品の品番は、図に示されている品番 (Ref. No.) に対応するインデックスによって、その品番がわかります。

2. Explanation of codes  
 記号の説明

1) Codes on the "Note" column  
 "注記" 欄の記号

- ① \* . . . . . means this part is changed from the previous parts book.  
 前回のパーツブックに対して今回変更された部品を意味します。
- ② #01 . . . . . refer to the "Note" explanation at bottom of page.  
 #01 ページ下の "注記" の説明を参照して下さい。

2) Codes on the "E.C. (Engineering change)" column  
 "変更年月" 欄の記号

- ① A.10/83 . . . Added from October, 1983  
 1983年10月より追加され。
- ② D.10/83 . . . Obsolete from October, 1983  
 1983年10月より削除され。

③ When previous parts (Obsolete part) and new parts (Added parts) are not interchangeable with each other.  
 部品の互換性がない変更の場合

In this case, even obsolete part (D.) can be ordered with the obsolete part number, so select the parts with changed dates and place your orders.  
 この場合は削除 (D.) された品番でもご注文できますから、変更年月により、いずれかの部品を選択してご注文下さい。

Example (例)

| Ref. No. | Note | Part No.        | Description | E.C.    | 品名            | Ant. Req. |
|----------|------|-----------------|-------------|---------|---------------|-----------|
|          | 注記   | 品番              |             | 変更年月    |               | 数量        |
| 1        |      | B1401-100-000   | Needle bar  | D.10/83 | ハリホー          | —         |
| 1-1      |      | B1401-100-000-A | Needle bar  | A.10/83 | ハリホー          | 1         |
| 2        |      | B1105-200-000   | Frame cover | D.10/83 | B1105-300-000 | —         |
|          |      | B1105-300-000   | Frame cover | A.10/83 | フレームカバー       | 1         |

④ In case when previous parts and new part are interchangeable with each other.  
 部品の互換性がある場合の変更

In this case the new part number is replaced on the "品名 (Japanese)" column of the previous parts, so please order by the new part number.  
 この場合は、旧部品の和文品名欄に新しい品番が記入してありますので、新しい品番でご注文下さい。

⑤ C.10/83

|   |  |                    |             |         |                  |   |
|---|--|--------------------|-------------|---------|------------------|---|
| 1 |  | B1105-500-000      | Frame cover | C.10/83 | B1105-600-000    | 1 |
|   |  | <u>Correct No.</u> |             |         | <u>Wrong No.</u> |   |
|   |  | 正しい品番              |             |         | 誤り品番             |   |

Please order by the correct part number.  
 正しい品番でご注文下さい。

- ⑥ M.10/83 . . . . . The amount required is changed from October, 1983.  
 The new amount required is shown in the "Ant. Req." column.  
 1983年10月より数量が変更になった。この場合数量欄には新しい数量が表示してあります。

3) Codes on the "Ant. Req." column  
 "数量" 欄の記号

- ① 2 . . . . . Indicates amount required is 2.  
 数量、2個を意味します。
- ② 2.0 . . . . . Indicates length in meters. (unit is meter)  
 長さ、2メートルを表わします。(単位はメートルです)。
- ③ — . . . . . Indicates parts obsolete from the parts book.  
 このパーツブックから削除された部品です。
- ④ (1) . . . . . Indicates sub parts which construct the assembly part.  
 Assembly part is shown as "asm." and クミ in Japanese, in the "Description" column,  
 組部品を構成している子部品を表わします。組部品は品名欄に英文で "asm." 和文でクミと表示してあります。

### When Ordering The Spare Parts:

In order to ensure that we deliver the correct parts to you, please clearly state when ordering the corresponding PART NUMBER (ex. B1109-012-A00) and also the PARTS BOOK NUMBER (ex. 0010-01, given at the top right of the cover) or the MACHINE SERIAL NUMBER, because there are some parts which have been changed.

### 補用部品注文の際のご注意

このパーツブックに記載されている補用部品をご注文の際は、部品の番号(例えば、B1109-012-A00)でご注文下さい。合わせて、ご覧のパーツブックの管理番号(表紙右上、例えば、No0010-01)又は、機械番号をご連絡頂ければ幸いです。又、改良のため部品の一部が変更になる場合がありますのでご了承下さい。

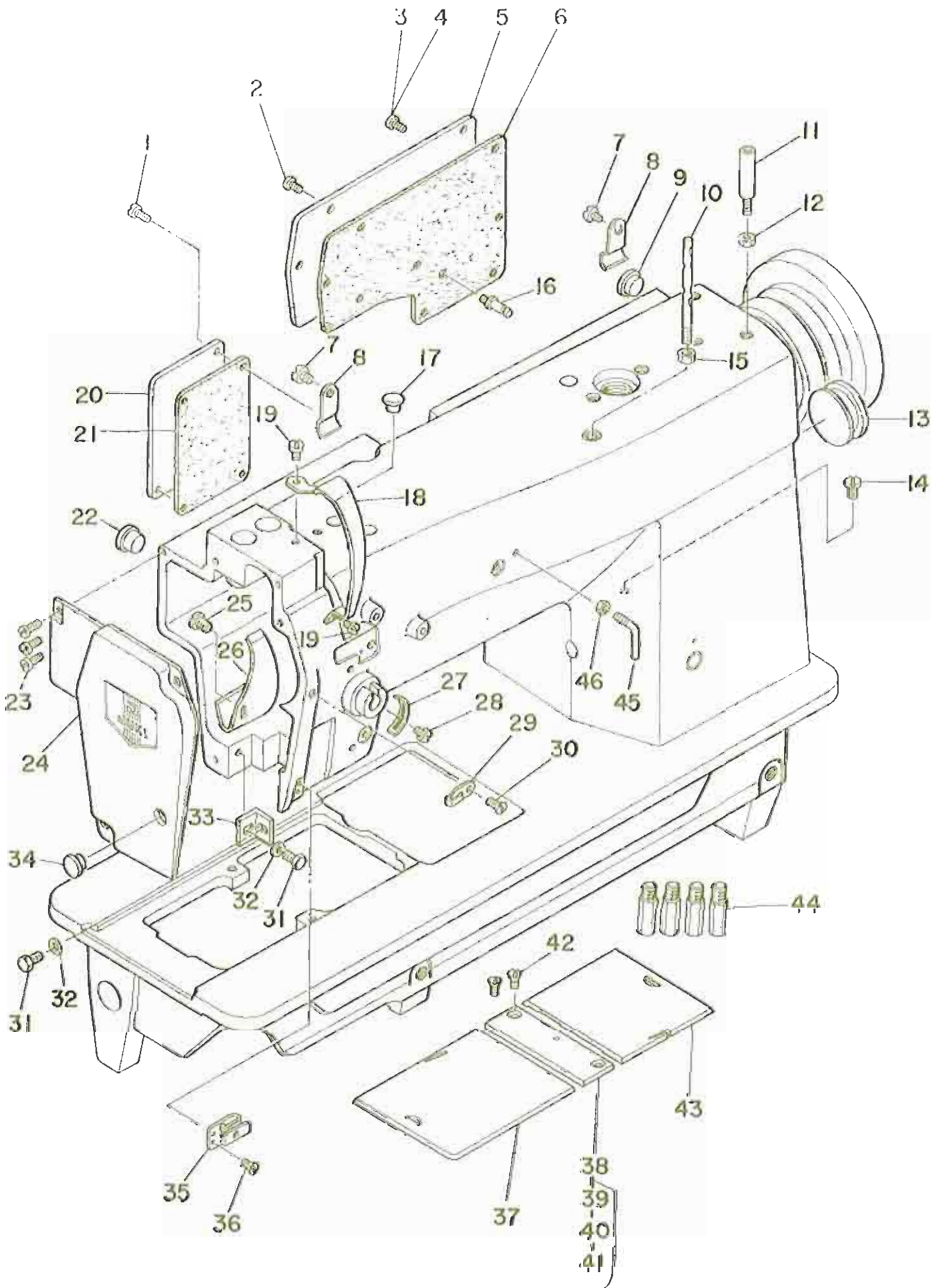
## CONTENTS

### 目 次

|     |  |    |
|-----|--|----|
| 1.  | FRAME & MISCELLANEOUS COVER COMPONENTS .....   | 1  |
|     | 頭部・外装関係  |    |
| 2.  | MAIN SHAFT & THREAD TAK-UP COMPONENTS .....    | 3  |
|     | 上軸・天秤関係  |    |
| 3.  | NEEDLE BAR & PRESSER COMPONENTS .....          | 5  |
|     | 針棒・押え関係  |    |
| 4.  | HOOK & HOOK DRIVING SHAFT COMPONENTS .....     | 7  |
|     | 釜・下軸関係   |    |
| 5.  | THREAD TRIMMER MECHANISM COMPONENTS .....      | 9  |
|     | 糸切り装置関係  |    |
| 6.  | TENSION POST COMPONENTS .....                  | 11 |
|     | 糸調子関係  |    |
| 7.  | LUBRICATION COMPONENTS .....                   | 13 |
|     | 給油関係   |    |
| 8.  | BOBBIN WINDER & OIL RESERVOIR COMPONENTS ..... | 15 |
|     | 糸巻・油溜関係  |    |
| 9.  | THREAD STAND COMPONENTS .....                  | 17 |
|     | 糸立装置関係   |    |
| 10. | EXCLUSIVE PARTS FOR LT-1040-5 .....            | 19 |
|     | LT-1040-5 専用部品                                 |    |
| 11. | EXCLUSIVE PARTS FOR LT-1040-4 .....            | 19 |
|     | LT-1040-4 専用部品                                 |    |
| 12. | TABLE COMPONENTS .....                         | 20 |
|     | テーブル関係   |    |
| 13. | TABLE COMPONENTS (FOR T FORM) .....            | 21 |
|     | 脚卓関係 (T型用)                                     |    |
| 14. | TABLE COMPONENTS (FOR H FORM) .....            | 22 |
|     | 脚卓関係 (H型用)                                     |    |
| 15. | 2-PEDAL FOOT SWITCH COMPONENTS (PK-15) .....   | 23 |
|     | 2速ペダル関係 (PK-15)                                |    |
| 16. | MOTOR & SWITCH COMPONENTS .....                | 25 |
|     | モーター・スイッチ関係                                    |    |
|     | NUMERICAL INDEX OF PARTS .....                 | 26 |
|     | 索引   |    |



1. FRAME & MISCELLANEOUS COVER COMPONENTS  
 頭部・外装関係

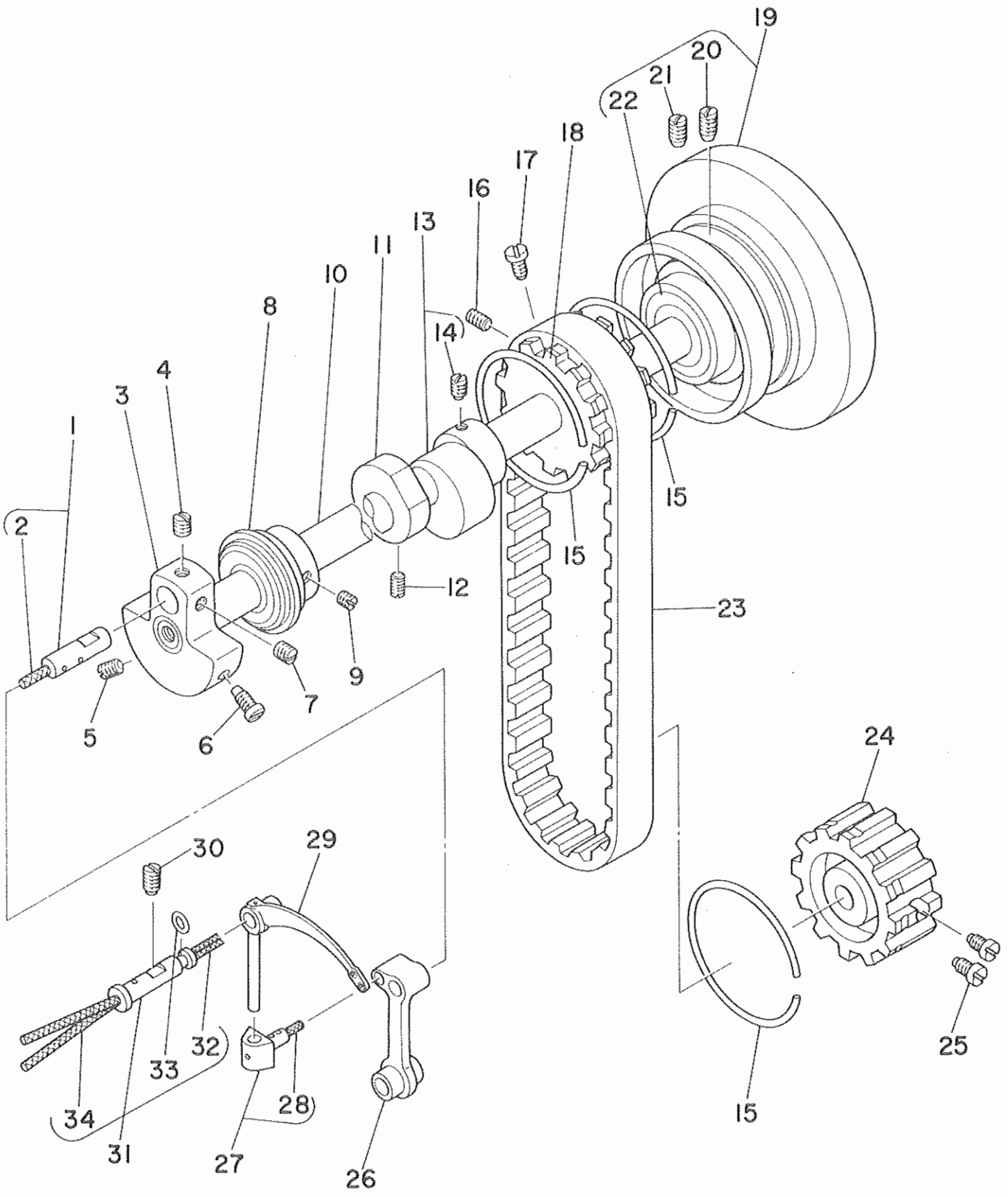


| REF. NO. | NOTE | PART NO.      | DESCRIPTION                     | 品名                      | AMT. |
|----------|------|---------------|---------------------------------|-------------------------|------|
| 1        |      | SS-7111420-SP | SCREW 11/64-40 L=14             | 7#ヒラネジ 11/64-40 L=14    | 4    |
| 2        | #01  | SS-6111140-SP | SCREW 11/64-40 L=11             | ヒラネジ 11/64-40 L=11      | 1    |
| 3        | #01  | SS-7110910-SP | SCREW                           | 7#ヒラネジ 11/64-40 L=8.5   | 7    |
| 4        | #02  | SS-7110910-SP | SCREW                           | 7#ヒラネジ 11/64-40 L=8.5   | 8    |
| 5        |      | 81119-522-000 | SIDE PLATE                      | 7#イ                     | 1    |
| 6        |      | 81119-522-000 | GASKET                          | 7#イ2 ガasket             | 1    |
| 7        | #01  | SS-7110710-SP | SCREW 11/64-40 L=7              | 7#ヒラネジ 11/64-40 L=7     | 2    |
| 9        |      | TA-1250504-RO | RUBBER PLUG                     | ゴム栓                     | 1    |
| 10       |      | 81114-051-000 | NEEDLE THREAD GUIDE PIN         | 針付ガイド                   | 1    |
| 11       |      | MAR-00901000  | SCREW                           | 7#ネジ                    | 3    |
| 12       |      | NS-6110420-SP | NUT 11/64-40                    | ワッシャーナット 11/64-40       | 3    |
| 13       |      | 102-01200     | RUBBER PLUG                     | ゴム栓                     | 1    |
| 14       |      | SS-7110710-SP | SCREW 11/64-40 L=7              | 7#ヒラネジ 11/64-40 L=7     | 1    |
| 15       |      | NS-6620310-SP | NUT 3/16-32                     | ワッシャーナット 3/16-32        | 1    |
| 16       |      | B3413-227-000 | SPRING SUSPENSION               | ヒヤン                     | 1    |
| 17       |      | TA-0750704-RO | RUBBER PLUG                     | ゴム栓                     | 1    |
| 18       |      | 102-00301     | THREAD TAKE-UP LEVER COVER      | 針付カバー                   | 1    |
| 19       |      | SS-7110510-SP | SCREW 11/64-40 L=5              | 7#ヒラネジ 11/64-40 L=5     | 2    |
| 20       |      | 103-02008     | SIDE PLATE                      | ワッシャー                   | 1    |
| 21       |      | 103-02008     | SIDE PLATE                      | ワッシャー                   | 1    |
| 22       |      | TA-1250504-RO | RUBBER PLUG                     | ゴム栓                     | 1    |
| 23       |      | SS-7110910-SP | SCREW                           | 7#ヒラネジ 11/64-40 L=8.5   | 3    |
| 24       |      | 109-02153     | FACE PLATE ASM.                 | フェイスプレート                | 1    |
| 25       |      | SS-3090610-SP | SCREW 9/64-40 L=6               | 7#ネジ 9/64-40 L=6        | 1    |
| 26       |      | 81140-526-000 | TAKE-UP OIL SPLASHER            | 針付オイルスプレー               | 1    |
| 27       |      | B3130-512-000 | TAKE-UP SPRING ADJUSTING PLATE  | 針付ヒヤン調整プレート             | 1    |
| 28       |      | SS-7090520-SP | SCREW 9/64-40 L=4.5             | 7#ヒラネジ 9/64-40 L=4.5    | 1    |
| 29       |      | 81130-051-000 | FRAME THREAD GUIDE, MIDDLE      | 針付                      | 1    |
| 30       |      | SS-2090710-SP | SCREW 9/64-40 L=7               | 7#ヒラネジ 9/64-40 L=7      | 1    |
| 31       |      | SS-9111010-SP | SCREW 11/64-40 L=9.5            | ワッシャーナット 11/64-40 L=9.5 | 2    |
| 32       |      | WP-0480856-SP | WASHER 4.8X8.4X0.8              | ヒヤン 4.8X8.4X0.8         | 2    |
| 33       |      | 109-00207     | NEEDLE BAR FRAME GUIDE          | 針付ガイド                   | 1    |
| 34       |      | TA-1250406-RO | RUBBER PLUG                     | ゴム栓 D=12.5 L=4          | 1    |
| 35       |      | 101-29500     | THREAD GUIDE E                  | 針付ガイド E                 | 1    |
| 36       |      | SS-2090710-SP | SCREW 9/64-40 L=7               | 7#ヒラネジ 9/64-40 L=7      | 1    |
| 37       |      | 101-46207     | RED SLIDE, LEFT 7/8" TO 1-1/8"  | スライド 7/8" E27/32-1-3/16 | 1    |
| 38       |      | 109-00157     | THROAT PLATE ASM.               | ノズル                     | 1    |
| 39       |      | 109-00108     | THROAT PLATE                    | ノズル                     | (1)  |
| 40       |      | 109-01007     | LOOP GUIDE                      | ループガイド                  | (1)  |
| 41       |      | SS-6060410-TP | SCREW 3/32-56 L=3.5             | ヒラネジ 3/32-56 L=3.5      | (2)  |
| 42       |      | SS-2110920-TP | SCREW 11/64-40 L=8.5            | 7#ヒラネジ 11/64-40 L=8.5   | 2    |
| 43       |      | 101-45506     | RED SLIDE, RIGHT 3/32" TO 7/16" | スライド 3/32 7/16          | 1    |
| 44       |      | 101-00410     | BED SCREW STUD                  | ベットネジ                   | 4    |
| 45       |      | 81127-415-000 | FRAME THREAD GUIDE (C)          | フレーム針付ガイド C             | 1    |
| 46       |      | NS-6090530-SP | NUT 9/64-40                     | ワッシャーナット 9/64-40        | 1    |

Note(注記) #01.....For LT-1040-5-2  
#02.....For LT-1040-4-1

LT-1040-5-2用  
LT-1040-4-1用

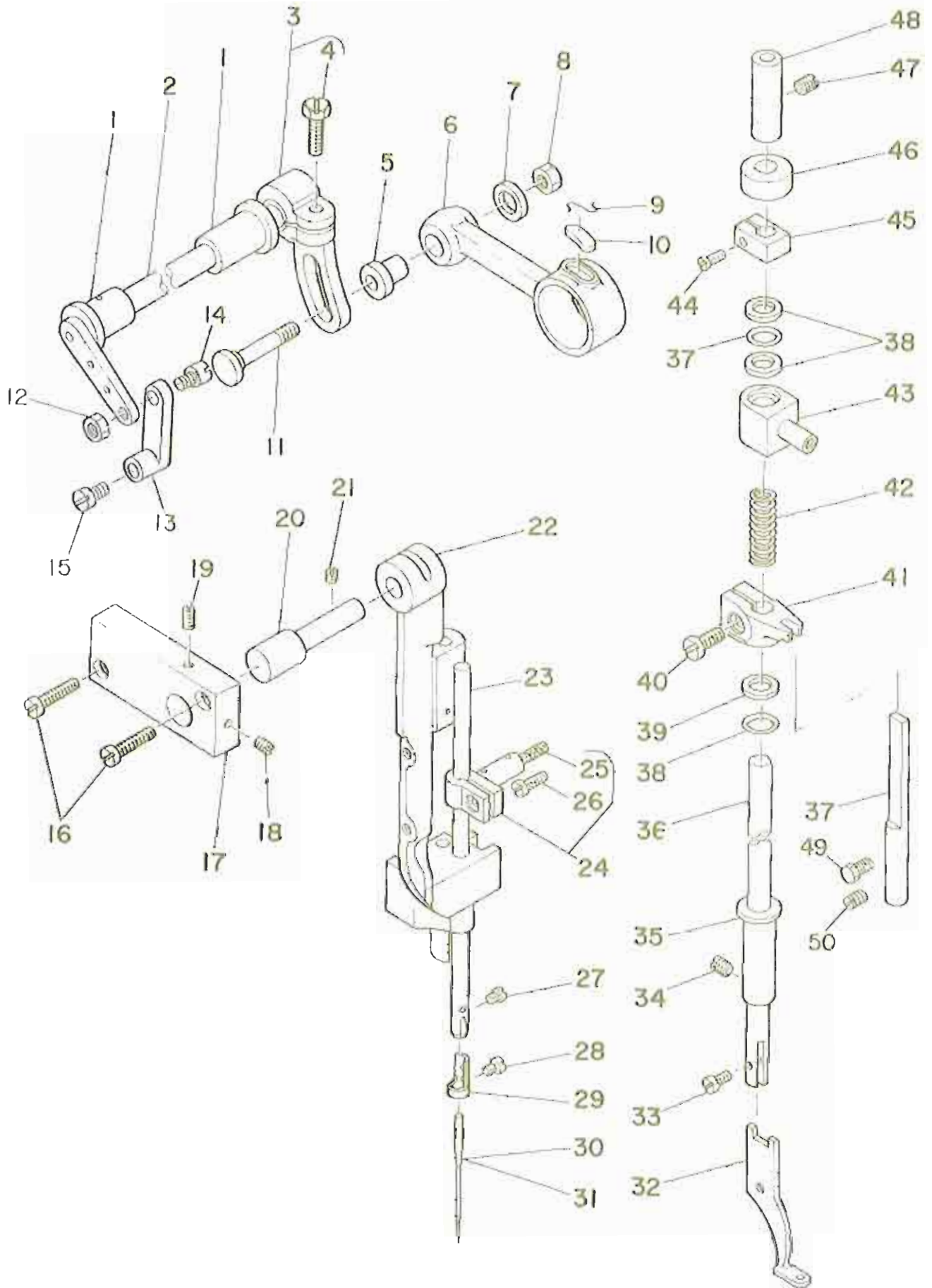
2. MAIN SHAFT & THREAD TAK-UP COMPONENTS  
 上軸・天秤関係



| REF. NO. | NOTE | PART NO.      | DESCRIPTION                   | QTY | UNIT | AMT.  |
|----------|------|---------------|-------------------------------|-----|------|-------|
| 1        |      | B1210-051-0A0 | NEEDLE BAR CRANK PIN ASM.     | 1   | 個    | 1     |
| 2        |      | CQ-3030000-00 | OIL WICK                      | 1   | 個    | (0.1) |
| 3        |      | B1206-051-000 | COUNTERWEIGHT                 | 1   | 個    | 1     |
| 4        |      | SS-8680540-SP | SCREW 9/32-28 L=4.5           | 1   | 個    | 1     |
| 5        |      | SS-8681650-TP | SCREW 9/32-28 L=16            | 1   | 個    | 1     |
| 6        |      | SS-7681750-TP | SCREW 9/32-28 L=16.5          | 1   | 個    | 1     |
| 7        |      | SS-8680730-SP | SCREW 9/32-28 L=7             | 1   | 個    | 1     |
| 8        |      | 103-05159     | MAIN SHAFT BUSHING, FRONT     | 1   | 個    | 1     |
| 9        |      | SS-8150760-TP | SCREW 15/64-28 L=7.0          | 1   | 個    | 1     |
| 10       |      | 103-05001     | MAIN SHAFT                    | 1   | 個    | 1     |
| 11       |      | B3140-059-000 | TENSION RELEASING CAM         | 1   | 個    | 1     |
| 12       |      | SS-8621150-SP | SCREW 3/16-32 L=11.0          | 2   | 個    | 2     |
| 13       |      | D1450-055-8A0 | TOP FEED CAM ASM.             | 1   | 個    | 1     |
| 14       |      | SS-8660530-TP | SCREW 1/4-40 L=4.5            | 2   | 個    | (2)   |
| 15       |      | B1214-019-000 | SPROCKET RING                 | 1   | 個    | 1     |
| 16       |      | SS-8681650-TP | SCREW 9/32-28 L=16            | 1   | 個    | 1     |
| 17       |      | SS-7681750-TP | SCREW 9/32-28 L=16.5          | 1   | 個    | 1     |
| 18       |      | B1302-051-000 | SPROCKET WHEEL, UPPER         | 1   | 個    | 1     |
| 19       |      | 103-07056     | HAND WHEEL ASM.               | 1   | 個    | 1     |
| 20       |      | SS-8152030-SP | SCREW 15/64-28 L=20           | 1   | 個    | (1)   |
| 21       |      | SS-8151780-SP | SCREW 15/64-28 L=17.0         | 1   | 個    | (1)   |
| 22       |      | B1203-512-000 | MAIN SHAFT BUSHING, REAR      | 1   | 個    | (1)   |
| 23       |      | 101-03406     | TIMING BELT                   | 1   | 個    | 1     |
| 24       |      | 101-03109     | SPROCKET WHEEL                | 1   | 個    | 1     |
| 25       |      | SS-6661110-SP | SCREW 1/4-40 L=11             | 2   | 個    | 2     |
| 26       |      | B1408-051-000 | NEEDLE BAR CRANK ROD          | 1   | 個    | 1     |
| 27       |      | B1907-051-0A0 | TAKE-UP LEVER THRUST PIN ASM. | 1   | 個    | 1     |
| 28       |      | CQ-2020000-00 | OIL WICK                      | 1   | 個    | (0.1) |
| 29       |      | 103-06009     | THREAD TAKE-UP LEVER          | 1   | 個    | 1     |
| 30       |      | SS-8151550-SP | SCREW 15/64-28 L=15           | 1   | 個    | 1     |
| 31       |      | 103-06553     | THREAD TAKE-UP LEVER PIN ASM. | 1   | 個    | 1     |
| 32       |      | CQ-2520000-00 | OIL WICK                      | 1   | 個    | (0.1) |
| 33       |      | RO-0371801-00 | RUBBER RING                   | 1   | 個    | (1)   |
| 34       |      | CQ-2020000-00 | OIL WICK                      | 1   | 個    | (0.6) |



3. NEEDLE BAR & PRESSER COMPONENTS  
 針棒・押え関係



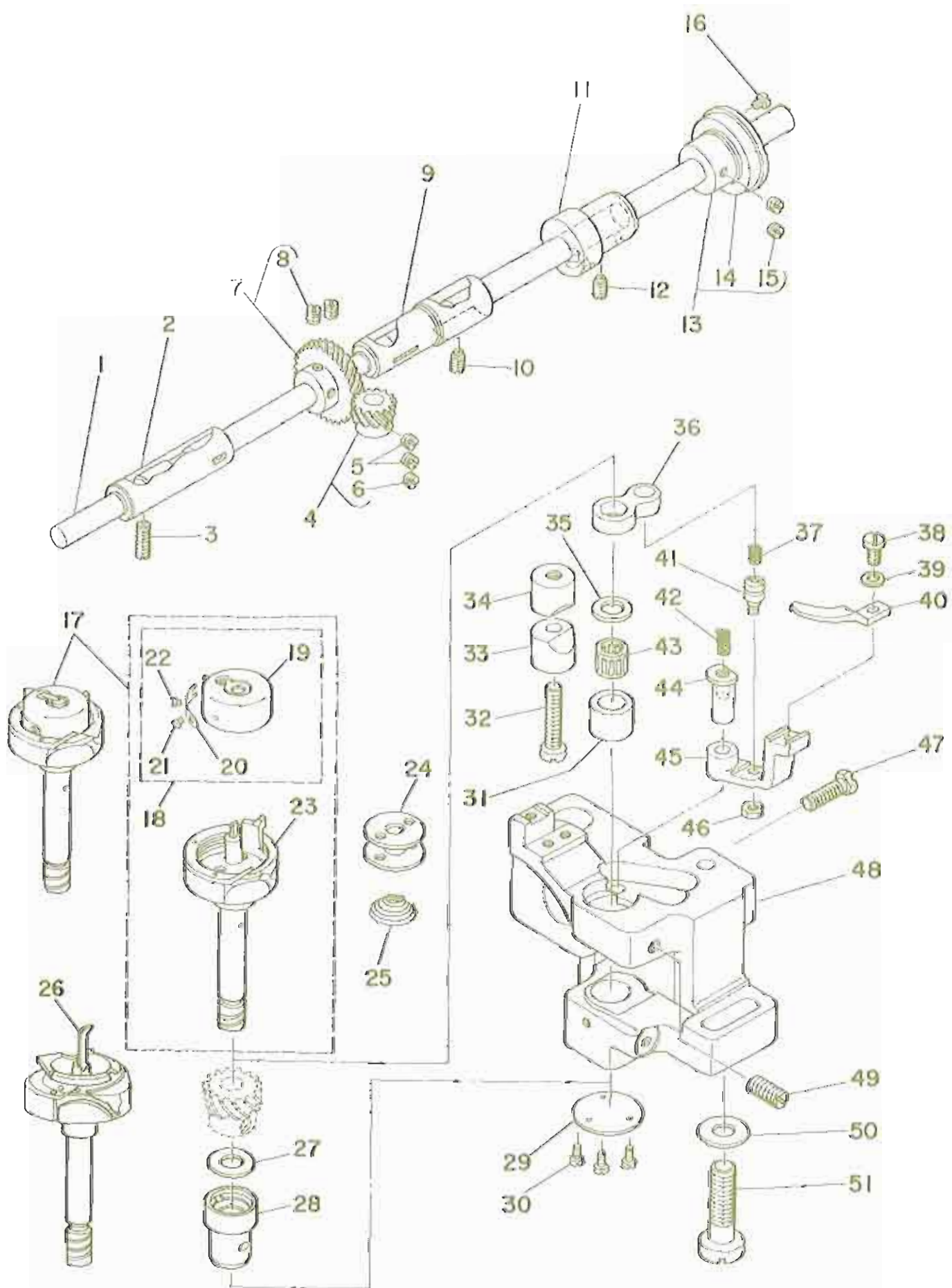


| REF. NO. | NOTE | PART NO.      | DESCRIPTION                    | ヒツメイ               | AMT. |
|----------|------|---------------|--------------------------------|--------------------|------|
| 1        |      | 103-13906     | BUSHING                        | ウツクリシク 126         | 2    |
| 2        |      | 109-01304     | UPPER FEED DRIVING SHAFT       | ウツクリシク             | 1    |
| 3        |      | D1454-055-8A0 | UPPER FEED SPRING ROD ASM.     | ウツクリシク             | 1    |
| 4        |      | SS-0161610-SP | SCREW 1/4-24 L=16              | ウツクリシク 1/4-24 L=16 | (1)  |
| 5        |      | D1455-055-800 | CONNECTING STUD                | ウツクリ シク            | 1    |
| 6        |      | D1453-055-800 | UPPER FEED DRIVING ROD         | ウツクリ シク            | 1    |
| 7        |      | D1457-055-800 | WASHER                         | シクシク               | 1    |
| 8        |      | NS-6110530-SP | NUT 11/64-40                   | ウツクリシク 11/64-40    | 1    |
| 9        |      | B1213-012-000 | FELT RETAINER                  | シク                 | 1    |
| 10       |      | B1702-012-000 | OIL FELT                       | シク                 | 1    |
| 11       |      | D1456-055-800 | HINGE SCREW                    | ウツクリ シク            | 1    |
| 12       |      | NS-6660430-SP | NUT 1/4-40                     | ウツクリシク 1/4-40      | 1    |
| 13       |      | 109-02005     | CONNECTING LINK                | ウツクリシク             | 1    |
| 14       |      | 109-03607     | SCREW STUD                     | ウツクリシク             | 1    |
| 15       |      | SS-6110310-TP | SCREW 11/64-40 L=8             | シク                 | 1    |
| 16       |      | SS-7111310-TP | SCREW 11/64-40 L=12.8          | シク 11/64-40 L=12.8 | 2    |
| 17       |      | 103-08302     | NEEDLE BAR FRAME SHAFT BASE    | シク                 | 1    |
| 18       |      | SS-0111010-TP | SCREW 11/64-40 L=9.5           | シク 11/64-40 L=9.5  | 1    |
| 19       |      | SS-0110750-SP | SCREW 11/64-40 L= 6.5          | シク 11/64-40 L=6.5  | 1    |
| 20       |      | 103-08203     | NEEDLE BAR FRAME SHAFT ASM.    | シク                 | 1    |
| 21       |      | SS-0151160-SP | SCREW 15/64-28 L=11.0          | シク 15/64-28 L=11   | 1    |
| 22       |      | 109-01809     | NEEDLE BAR FRAME               | シク                 | 1    |
| 23       |      | 103-08005     | NEEDLE BAR                     | シク                 | 1    |
| 24       |      | B1411-053-0A0 | NEEDLE BAR CONNECTION ASM.     | シク                 | 1    |
| 25       |      | B1412-051-000 | FELT                           | シク                 | (1)  |
| 26       |      | SS-7090910-SP | SCREW 9/64-40 L= 8.5           | シク 9/64-40 L=8.5   | (1)  |
| 27       |      | SS-7080510-TP | SCREW 1/8-44 L=4.5             | シク 1/8-44 L=4.5    | 1    |
| 28       |      | SS-5060310-SP | SCREW 3/32-56 L=2.8            | シク 3/32-56 L=2.8   | 1    |
| 29       |      | B1419-053-000 | NEEDLE BAR THREAD GUIDE        | シク                 | 1    |
| 30       | #01  | MHT-190R1400  | NEEDLE MTX190 #14              | シク MTX190 #14      | 1    |
| 31       | #02  | MC-0190R09-05 | NEEDLE 190R#14                 | シク 190R#14 (5シク)   | 1    |
| 32       |      | 109-00405     | PRESSER FOOT ASM.              | シク                 | 1    |
| 33       |      | SS-7090910-TP | SCREW 9/64-40 L= 8.5           | シク 9/64-40 L=8.5   | 1    |
| 34       |      | SS-0151150-SP | SCREW 15/64-28 L=10.5          | シク 15/64-28 L=10.5 | 1    |
| 35       |      | 109-01700     | BUSHING, LOWER                 | シク                 | 1    |
| 36       |      | B1501-241-H00 | PRESSER BAR                    | シク                 | 1    |
| 37       |      | 109-00306     | PRESSER BAR GUIDE BRACKET ASM. | シク                 | 1    |
| 38       |      | RO-0742401-00 | RUBBER RING                    | シク                 | 1    |
| 39       |      | 109-03409     | RETAINING BLCK                 | シク                 | 5    |
| 40       |      | SS-7121410-SP | SCREW 3/16-28 L=14             | シク 3/16-28 L=14    | 1    |
| 41       |      | 109-02609     | GUIDE BRACKET ASM.             | シク                 | 1    |
| 42       |      | 109-01106     | SPRING                         | シク                 | 1    |
| 43       |      | 109-01403     | SLIDE BLOCK                    | シク                 | 1    |
| 44       |      | SS-7091310-SP | SCREW 9/64-40 L=13.0           | シク 9/64-40 L=13    | 1    |
| 45       |      | 109-01908     | PRESSER BAR GUIDE BRACKET      | シク                 | 1    |
| 46       |      | 109-03805     | FELT                           | シク                 | 1    |
| 47       |      | SS-0151150-SP | SCREW 15/64-28 L=10.5          | シク 15/64-28 L=10.5 | 1    |
| 48       |      | B1503-051-A00 | PRESSER BAR BUSHING, UPPER     | シク                 | 1    |
| 49       |      | SS-9091010-SP | SCREW 9/64-40 L=10             | シク 9/64-40 L=10    | 1    |
| 50       |      | SS-0110510-SP | SCREW 11/64-40 L=5             | シク 11/64-40 L=5    | 1    |

Note(注記) #01.....Except JE  
#02.....For JE

JEは除く  
JE用

4. HOOK & HOOK DRIVING SHAFT COMPONENTS  
 釜・下軸関係

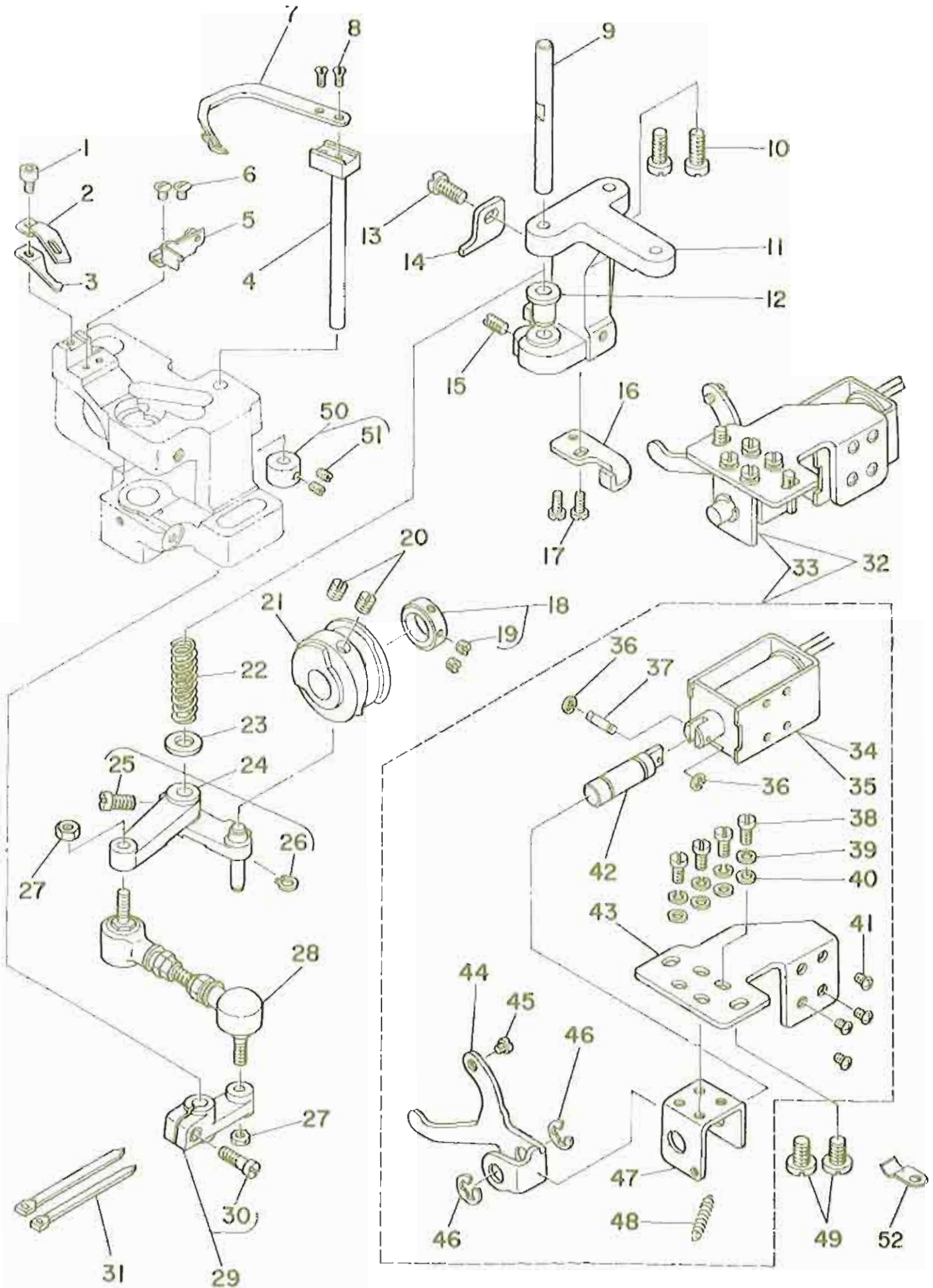




| REF. NO. | NOTE | PART NO.        | DESCRIPTION                         | UNIT                 | QTY | ANT. |
|----------|------|-----------------|-------------------------------------|----------------------|-----|------|
| 1        |      | 101-08504       | HOOK DRIVING SHAFT                  | シャフト                 | 1   | 1    |
| 2        | #01  | B1802-512-0A0-A | BUSHING ASM., FRONT                 | シャフト 71x28 2E        | 1   | 1    |
| 3        |      | SS-8152030-SP   | SCREW 15/64-28 L=20                 | ナット 15/64-28 L=20    | 1   | 1    |
| 4        | #01  | 101-12068       | HOOK SHAFT GEAR ASM. A              | シャフト 29x27 2E        | 1   | 1    |
| 5        | #01  | SS-8660530-TP   | SCREW 1/4-40 L=4.5                  | ナット 1/4-40 L=4.5     | 1   | (2)  |
| 6        | #01  | SS-8660670-SP   | SCREW 1/4-40 L=6.1                  | ナット 1/4-40 L=6.1     | 1   | (1)  |
| 7        |      | B1816-512-0A0   | HOOK DRIVING SHAFT GEAR ASM.        | シャフト 29x27 2E        | 1   | 1    |
| 8        |      | SS-8660810-TP   | SCREW 1/4-40 L=8                    | ナット 1/4-40 L=8       | 1   | (2)  |
| 9        |      | B1803-515-0A0   | BUSHING ASM., INTERMEDIATE          | シャフト 28x26 2E        | 1   | 1    |
| 10       |      | SS-8151150-SP   | SCREW 15/64-28 L=10.5               | ナット 15/64-28 L=10.5  | 1   | 1    |
| 11       |      | 101-08611       | PLUNGER BUSHING                     | シャフト 20x20 1-42      | 1   | 1    |
| 12       |      | SS-8151150-SP   | SCREW 15/64-28 L=10.5               | ナット 15/64-28 L=10.5  | 1   | 1    |
| 13       |      | 101-08751       | THROUSE COLLAR ASM.                 | シャフト 25x20 2E        | 1   | 1    |
| 14       |      | SB-1200002-00   | BEARING 20X42                       | ベアリング 20X42          | 1   | (1)  |
| 15       |      | SS-8660610-TP   | SCREW 1/4-40 L=6                    | ナット 1/4-40 L=6       | 1   | (2)  |
| 16       |      | SS-6110610-TP   | SCREW 11/64-40 L=6                  | ナット 11/64-40 L=6     | 1   | 1    |
| 17       | #02  | 103-53050       | HOOK, RIGHT ASM.                    | フック 2E               | 1   | 1    |
| 18       | #02  | 103-53559       | BOBBIN CASE ASM.                    | ボビン ケース              | 1   | (1)  |
| 19       | #02  | 103-53506       | BOBBIN CASE                         | ボビン ケース              | 1   | (1)  |
| 20       | #02  | 103-52305       | SPRING                              | スプリング 0.7            | 1   | (1)  |
| 21       | #02  | SS-2040210-SH   | SCREW 1/16-80 L=1.6                 | ワッシャー 1/16-80 L=1.6  | 1   | (1)  |
| 22       | #02  | SS-6560250-TH   | SCREW 3/32-80 L=1.7                 | ナット 3/32-80 L=1.7    | 1   | (1)  |
| 23       | #02  | 103-53068       | HOOK, RIGHT ASM.                    | フック 2E 3E            | 1   | (1)  |
| 24       |      | 103-53605       | BOBBIN                              | ボビン (フック)            | 1   | 1    |
| 25       |      | 101-11508       | SPRING                              | スプリング 0.8            | 1   | 1    |
| 26       | #03  | 103-53076       | HOOK, RIGHT ASM.                    | フック 2E 3E            | 1   | 1    |
| 27       |      | B1818-051-000   | THRUST WASHER, O                    | 29x27 2E 28x27 D     | 1   | 1    |
| 28       |      | B1815-563-000   | HOOK DRIVING SHAFT BUSHING, LOWER   | シャフト 29x28           | 1   | 1    |
| 29       |      | B1860-512-000   | HOOK SHAFT SADDLE COVER             | シャフト 22x22           | 1   | 1    |
| 30       |      | SS-7060610-SP   | SCREW 3/32-56 L=5.5                 | ワッシャー 3/32-56 L=5.5  | 1   | 1    |
| 31       |      | 101-09205       | BUSHING                             | シャフト 22x22           | 1   | 1    |
| 32       |      | SS-6153040-SP   | SCREW 15/64-28 L=30                 | ナット 15/64-28 L=30    | 1   | 1    |
| 33       |      | 101-12407       | SADDLE INSTALLING BLOCK, LOWER      | シャフト 22x22           | 1   | 1    |
| 34       |      | 101-09908       | SADDLE INSTALLING BLOCK, UPPER      | シャフト 22x22           | 1   | 1    |
| 35       | #01  | 101-11201       | THRUST WASHER, F                    | シャフト 22x22 28x27 1.4 | 1   | 1    |
| 36       |      | B1820-051-000   | BOBBIN CASE OPENING LEVER LINK      | フック 2E 2E リング        | 1   | 1    |
| 37       |      | CD-2020000-00   | OIL WICK                            | ワック                  | 1   | 0.1  |
| 38       |      | SS-6090810-SP   | SCREW 9/64-40 L=7.5                 | ナット 9/64-40 L=7.5    | 1   | 1    |
| 39       |      | WP-0371016-50   | WASHER 3.7X8X1                      | ワッシャー 3.7X8X1        | 1   | 1    |
| 40       |      | 103-54405       | BOBBIN CASE OPENING LEVER           | フック 2E リング           | 1   | 1    |
| 41       |      | B1821-051-000   | CRANK SCREW STUD                    | フック 2E リング 22x22 2E  | 1   | 1    |
| 42       |      | CD-2020000-00   | OIL WICK                            | ワック                  | 1   | 0.1  |
| 43       |      | SB-3095301-0C   | NEEDLE BEARING 9.525X9.52           | ニードルベアリング 9.525X9.52 | 1   | 1    |
| 44       |      | B1823-051-000   | BOBBIN CASE OPENING LEVER CRANK PIN | フック 2E リング 2E        | 1   | 1    |
| 45       |      | 103-54504       | LEVER CRANK                         | フック 2E リング           | 1   | 1    |
| 46       |      | NS-6110420-SP   | NUT 11/64-40                        | ナット 11/64-40         | 1   | 1    |
| 47       |      | SS-9111020-SP   | SCREW 11/64-40 L=18                 | ナット 11/64-40 L=18    | 1   | 1    |
| 48       |      | 103-54207       | HOOK SHAFT SADDLE, RIGHT            | フック 22x22 1 L        | 1   | 1    |
| 49       |      | SS-8151550-SP   | SCREW 15/64-28 L=15                 | ナット 15/64-28 L=15    | 1   | 1    |
| 50       |      | WP-0850002-SP   | WASHER 8.5X18X1.6                   | ワッシャー 8.5X18X1.6     | 1   | 1    |
| 51       |      | SM-7082550-SP   | SCREW M8 L=25                       | ワッシャー M8 L=25        | 1   | 1    |

Note (注記) #01.....Selecting part      選択部品  
                   #02.....For JE                      JE用  
                   #03.....Except JE                    JEは除く

5. THREAD TRIMMER MECHANISM COMPONENTS  
糸切り装置関係

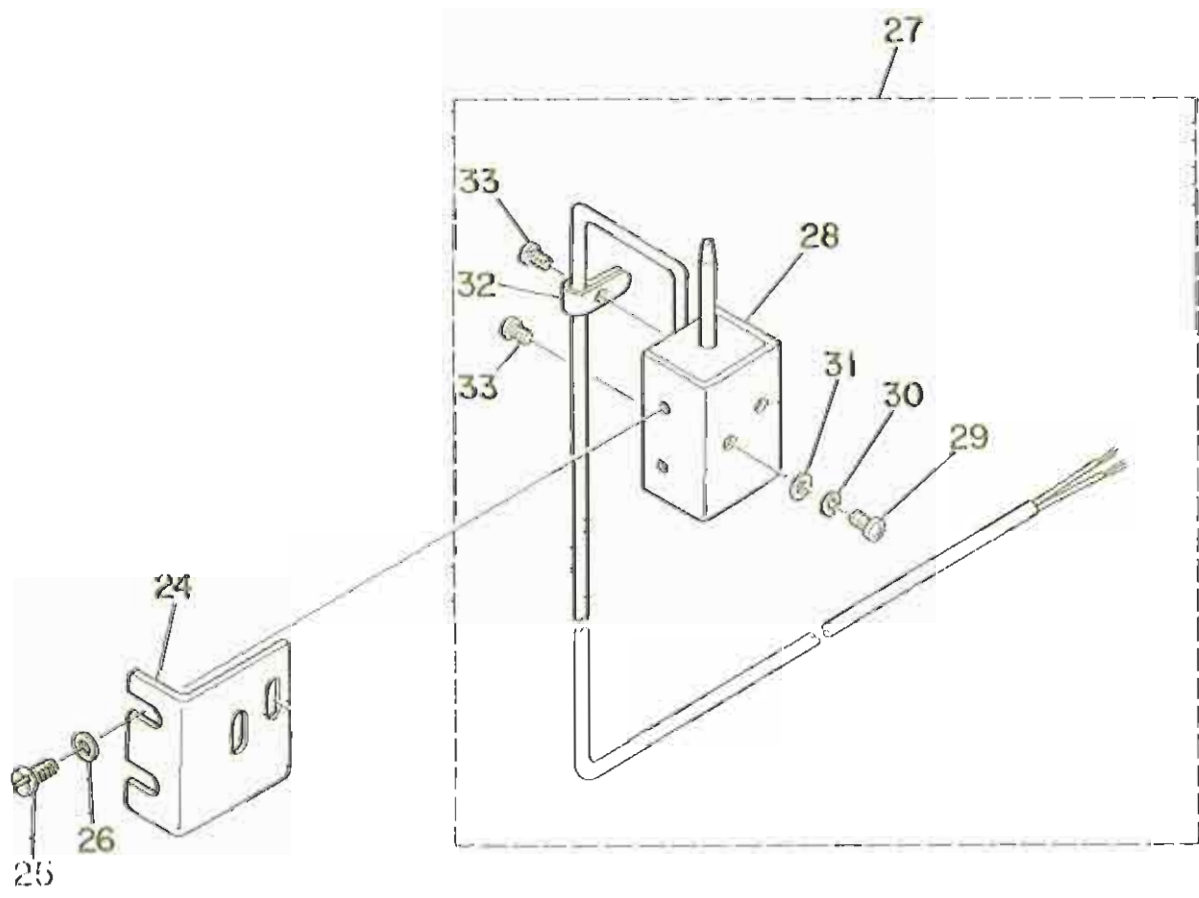
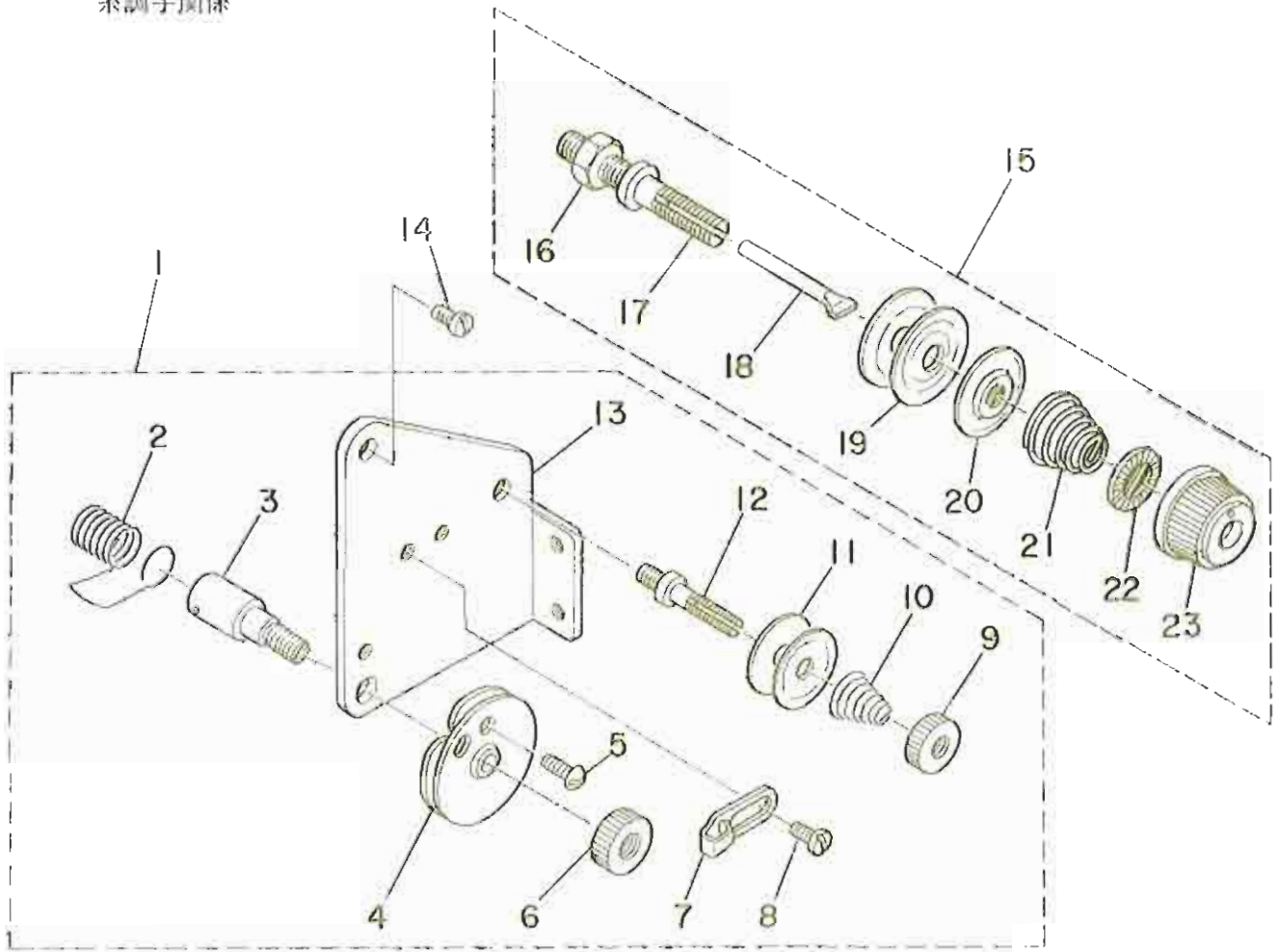




| REF. NO. | NOTE | PART NO.        | DESCRIPTION                    | 品名                       | QTY |
|----------|------|-----------------|--------------------------------|--------------------------|-----|
| 1        |      | SS-6090612-TP   | SCREW 9/64-40 L=6              | 07027714* 6T 9/64-40 L=6 | 1   |
| 2        |      | 102-11209       | COUNTER KNIFE                  | コアイス                     | 1   |
| 3        |      | 102-11308       | THREAD PRESSER                 | イト押し                     | 1   |
| 4        |      | 101-16051       | MOVING KNIFE SHAFT ASM.        | ト*スス*ク 2E                | 1   |
| 5        |      | 102-11050       | MOVING KNIFE SUPPORT PLATE ASM | ト*スス*77E 2E              | 1   |
| 6        |      | SS-5090610-SP   | SCREW 9/64-40 L=6              | トラス77* 9/64-40 L=6       | 2   |
| 7        |      | 102-11118       | MOVING KNIFE                   | ト*スス                     | 1   |
| 8        |      | SS-2080810-SP   | SCREW 1/8-44 L=7.5             | 2077770* 1/8-44 L=7.5    | 2   |
| 9        |      | 101-16804       | SHAFT                          | 660*2-ト*シ*ク              | 1   |
| 10       |      | SS-7151610-SP   | SCREW 15/64-28 L=16            | 28E7530* 15/64-28 L=16   | 2   |
| 11       |      | 101-16606       | LINK INSTALLING BASE           | シ*2-ト*シ トリツク*イ           | 1   |
| 12       |      | 101-17109       | BUSHING                        | 97097007* 12E            | 1   |
| 13       |      | SS-7121410-SP   | SCREW 3/16-28 L=14             | 28E7530* 3/16-28 L=14    | 1   |
| 14       |      | 101-18107       | STOPPER, A                     | シ*2-ト*シ スト*ク* A          | 1   |
| 15       |      | SS-8111010-TP   | SCREW 11/64-40 L=9.5           | 11E730* 11/64-40 L=9.5   | 1   |
| 16       |      | 101-18206       | STOPPER, B                     | シ*2-ト*シ スト*ク* B          | 1   |
| 17       |      | SS-6111010-SP   | SCREW 11/64-40 L= 9.5          | 11E730* 11/64-40 L=9.5   | 2   |
| 18       |      | CS-1470710-SH   | THRUST COLLAR ASM. D=14.72 W=7 | スラスト* D=14.72 W=7 2E     | 1   |
| 19       |      | SS-8110410-TP   | SCREW 11/64-40 L= 3.5          | 11E730* 11/64-40 L=3.5   | (2) |
| 20       |      | SS-8660810-TP   | SCREW 1/4-40 L=8               | 11E730* 1/4-40 L=8       | 2   |
| 21       |      | 101-17307       | THREAD TRIMMER CAM             | イトトリ                     | 1   |
| 22       |      | 101-16903       | SPRING                         | シ*2-ト*シ*ク 11E            | 1   |
| 23       |      | B1853-512-00C-A | WASHER C                       | 670* 70* 6* C            | 1   |
| 24       |      | 101-16754       | CAM INSTALLING LINK ASM.       | 660*2-ト*シ 2E             | 1   |
| 25       |      | SS-6151220-SP   | SCREW 15/64-28 L=11.5          | 15E730* 15/64-28 L=11.5  | (1) |
| 26       |      | B2430-555-B00   | SNAP RING                      | 660-9 シ*ク C920*          | (1) |
| 27       |      | NH-6050001-SP   | NUT M5                         | 07097071 H5X0.8 197      | 2   |
| 28       |      | 101-16507       | JOINT ROD                      | シ*ヨイ*ト*ツト*               | 1   |
| 29       |      | 103-12759       | DRIVING ARM ASM.               | 302*9 ク*2E               | 1   |
| 30       |      | SS-6121610-TP   | SCREW 3/16-28 L=15.5           | 15E730* 3/16-28 L=15.5   | (1) |
| 31       |      | A4078-950-00A   | CLIP BAND                      | 77000* 7                 | 2   |
| 32       | #01  | 101-44350       | SOLENOID ASM.                  | シ*2-ト*シ 1512 クミ          | 1   |
| 33       | #02  | 101-12851       | SOLENOID ASM.                  | シ*2-ト*シ*ク 1519 クミ        | 1   |
| 34       | #01  | 101-44301       | SOLENOID                       | イトトリツク* 2E               | (1) |
| 35       | #02  | 101-17604       | SOLENOID                       | イトトリツク* 2E               | (1) |
| 36       |      | RE-0250000-K0   | SNAP RING 2.5                  | 66* 21.40 2.5            | (2) |
| 37       |      | D2107-555-B00   | WIPER LINK SHAFT, A            | 770* - 9700* 2 A         | (1) |
| 38       |      | SS-7110910-SP   | SCREW                          | 28E7530* 11/64-40 L=8.5  | (4) |
| 39       |      | WS-0451040-KP   | SPRING WASHER                  | 11* 20* 11* 4.5X8.5X1    | (4) |
| 40       |      | WP-0480856-SP   | WASHER 4.8X8.4X0.8             | 150* 8* 4.8X8.4X0.8      | (4) |
| 41       |      | SY-4040601-5R   | SCREW M4 L=6                   | 11* 730* M4X0.7 L=6      | (4) |
| 42       |      | 101-17901       | SHAFT                          | 15100* 2                 | (1) |
| 43       |      | 101-17703       | SOLENOID INSTALLING BASE       | イトトリツク* 2E トリツク* イ       | (1) |
| 44       |      | 101-17802       | PRESS PLATE                    | シ*2-ト*シ*ク 1519           | (1) |
| 45       |      | 101-18305       | PRESS PLATE DRIVING SCREW      | 151921* - 2E             | (1) |
| 46       |      | RE-0700000-K0   | SNAP RING 7                    | 66* 91.20 7              | (2) |
| 47       |      | 101-18908       | FRAME                          | 15100* 270-6             | (1) |
| 48       |      | B2037-372-000   | WIPPER BAR BLOCK SPRING        | 150* 98* 2               | (1) |
| 49       |      | SS-6151840-SP   | SCREW 15/64-28 L=10            | 15E730* 15/64-28 L=10    | 2   |
| 50       |      | CS-0700811-SH   | THRUST COLLAR D=7 W=8          | スラスト* D=7 W=8            | 1   |
| 51       |      | SS-8110510-SP   | SCREW 11/64-40 L=5             | 11E730* 11/64-40 L=5     | (2) |
| 52       |      | D3916-481-C00   | TUBE HOLDER                    | 970-12-7* 19E            | 1   |

Note(注記) #01.....For LT-1040-5-2 LT-1040-5-2用  
#02.....For LT-1040-4-1 LT-1040-4-1用

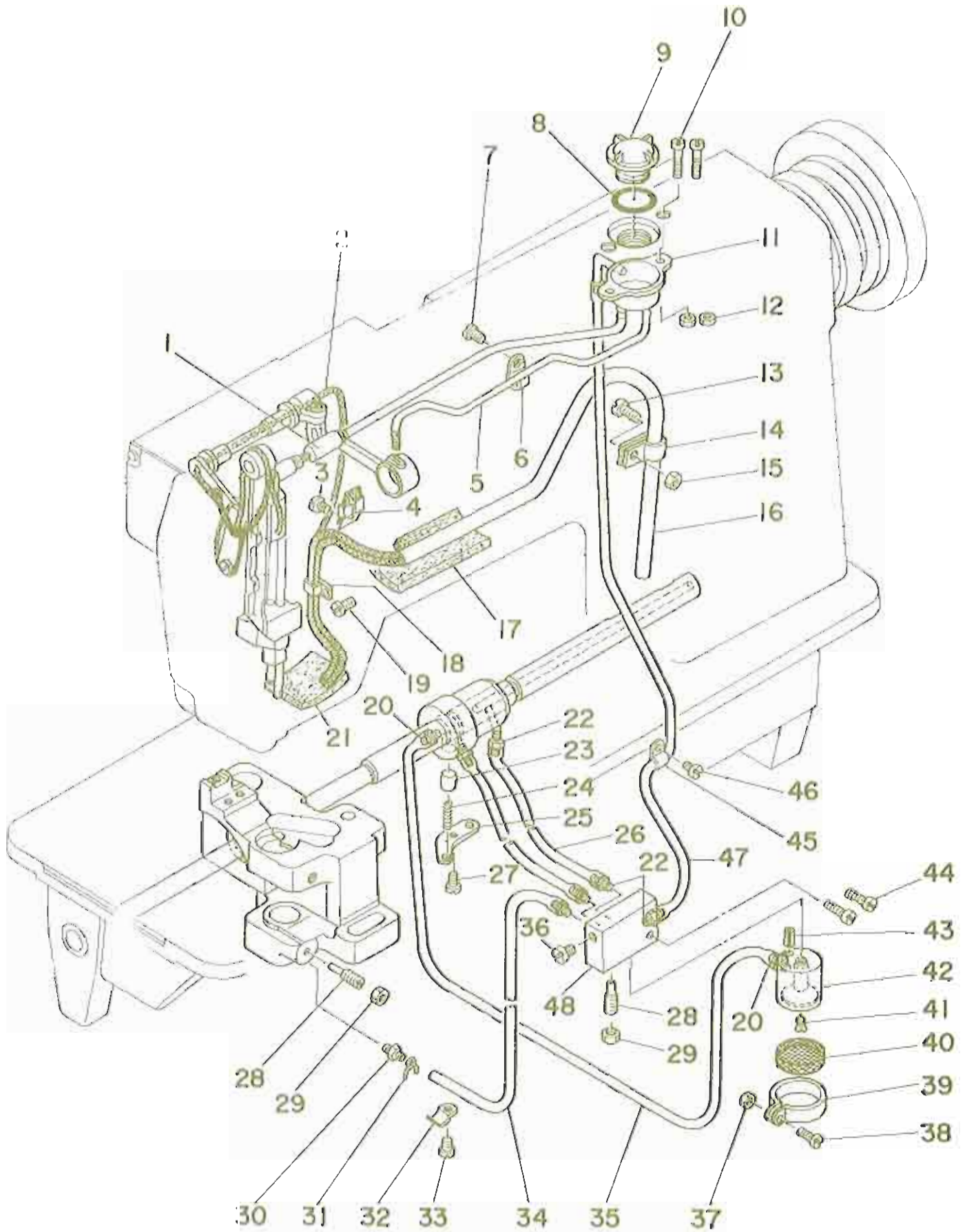
6. TENSION POST COMPONENTS  
糸調子関係



| REF. NO. | NOTE | PART NO.      | DESCRIPTION                      | レ ン ズ 類 別              | AMT. |
|----------|------|---------------|----------------------------------|------------------------|------|
| 1        |      | 109-02450     | TENSION POST ASM.                | イトヨウクニ                 | 1    |
| 2        |      | B3128-051-000 | THREAD TAKE-UP SPRING, A         | イトリハネ                  | (1)  |
| 3        |      | 103-20109     | SCREW STUD                       | イトリハネネジ                | (1)  |
| 4        |      | 93137-527-0A0 | THREAD TAKE-UP SPRING GUIDE ASM. | イトリハネガイド               | (1)  |
| 5        |      | SS-3090710-TP | SCREW 9/64-40 L=7                | ネジ 9/64-40 L=7         | (1)  |
| 6        |      | B3125-012-000 | THREAD TENSION STUD NUT          | イトヨウクニナット              | (1)  |
| 7        |      | B1126-552-000 | FRAME THREAD GUIDE A             | アームイトリハネ               | (1)  |
| 8        |      | SS-5090420-SP | SCREW 9/64-40 L=3.5              | ネジ 9/64-40 L=3.5       | (1)  |
| 9        |      | B3216-047-000 | BOBBIN WINDER TENSION NUT        | イトヨウクニナット              | (1)  |
| 10       |      | D3169-555-H0B | SPRING                           | 2" 11 イトヨウクニネジ         | (1)  |
| 11       |      | B3214-047-000 | BOBBIN WINDER TENSION DISC       | イトヨウクニディスク             | (2)  |
| 12       |      | 101-24204     | THREAD TENSION POST, A           | 2" 11 イトヨウクニネジ - A     | (1)  |
| 13       |      | 109-00900     | TENSION POST BASE                | イトヨウクニベース              | (1)  |
| 14       |      | SS-5110740-TP | SCREW 11/64-40 L= 6.5            | ネジ 11/64-40 L=6.5      | 1    |
| 15       |      | 109-02351     | TENSION POST NO.1 ASM.           | 2" 11 イトヨウクニネジ         | 1    |
| 16       |      | NS-6160520-SP | NUT 1/4-24                       | ナット 1/4-24             | (1)  |
| 17       |      | B2019-372-000 | TENSION POST NO.2                | イトヨウクニネジ               | (1)  |
| 18       |      | 109-00603     | TENSION RELEASE PIN              | イトヨウクニピン               | (1)  |
| 19       |      | B3126-012-000 | TENSION DISC                     | イトヨウクニディスク             | (2)  |
| 20       |      | 93132-012-000 | TENSION DISC HOLDER              | イトヨウクニディスクホルダー         | (1)  |
| 21       |      | B2017-372-000 | TENSION SPRING NO.1              | 2" 11 イトヨウクニネジ         | (1)  |
| 22       |      | B3120-125-000 | TENSION DISC STOPPER             | イトヨウクニディスクストップ         | (1)  |
| 23       |      | B3119-771-000 | TENSION NUT                      | イトヨウクニナット              | (1)  |
| 24       |      | 109-00702     | SOLENOID INSTALLING BASE         | 22" ネジナット              | 1    |
| 25       |      | SS-7090710-SP | SCREW 9/64-40 L= 6.8             | ネジ 9/64-40 L=6.8       | 2    |
| 26       |      | WP-0371026-SD | WASHER 3.7X7X1                   | ワッシャー 3.7X7X1          | 2    |
| 27       |      | 109-00553     | TENSION RELEASE SOLENOID ASM.    | イトヨウクニリリースソレノイド        | 1    |
| 28       |      | 109-00504     | TENSION RELEASE COVER            | イトヨウクニリリースカバー          | (1)  |
| 29       |      | SM-4030601-SN | SCREW M3X0.5 L=6                 | ネジ M3X0.5 L=6          | (3)  |
| 30       |      | MS-0310002-KM | SPRING WASHER 3.1X5.9X0.7        | スプリングワッシャー 3.1X5.9X0.7 | (3)  |
| 31       |      | WP-0320501-SN | WASHER M3                        | ワッシャー M3               | (3)  |
| 32       |      | B3538-112-000 | CORD HOLDER                      | コードホルダー                | (1)  |
| 33       |      | SM-4030401-SC | SCREW M3X0.5 L=4                 | ネジ M3X0.5 L=4          | (3)  |



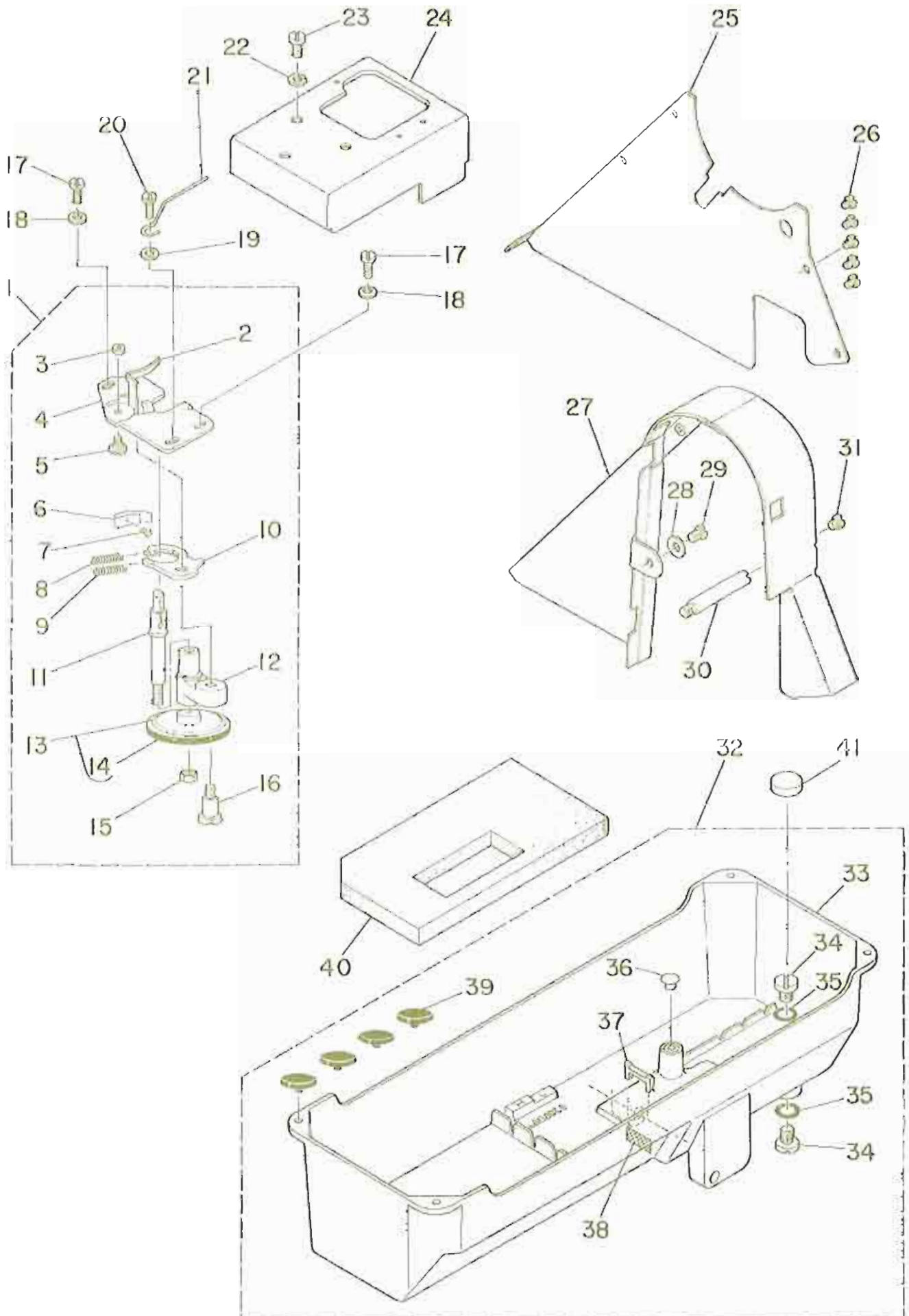
7. LUBRICATION COMPONENTS  
給油関係





| REF. NO. | NOTE | PART NO.        | DESCRIPTION            | UNIT               | AMT. |
|----------|------|-----------------|------------------------|--------------------|------|
| 1        |      | 102-16653       | OIL SHAFT ASM.         | オイルシャフトアセンブリ       | 1    |
| 2        |      | CQ-2000000-00   | OIL WICK               | オイルワック             | 0.5  |
| 3        |      | SS-6151040-SP   | SCREW 15/64-28 L=10    | ビス 15/64-28 L=10   | 1    |
| 4        |      | 109-02757       | OIL SPONGE HOLDER ASM. | オイルスポンジホルダアセンブリ    | 1    |
| 5        |      | 103-21503       | OIL TUBE               | オイルチューブ            | 1    |
| 6        |      | B3554-481-000   | HOLDER                 | ホルダ                | 1    |
| 7        |      | SS-7110710-SP   | SCREW 11/64-40 L=7     | ビス 11/64-40 L=7    | 1    |
| 8        |      | RO-1952401-00   | RUBBER RING            | ゴムリング              | 1    |
| 9        |      | B3530-555-000   | OIL SIGHT WINDOW       | オイルレベル窓            | 1    |
| 10       |      | SS-7112420-SP   | SCREW 11/64-40 L=24    | ビス 11/64-40 L=24   | 2    |
| 11       |      | 102-16703       | OIL TANK               | オイルタンク             | 1    |
| 12       |      | NS-6110310-SN   | NUT 11/64-40           | ナット 11/64-40       | 2    |
| 13       |      | SS-7111410-SP   | SCREW 11/64-40 L=14    | ビス 11/64-40 L=14   | 1    |
| 14       |      | EA-9502805-00   | OIL FELT HOLDER        | オイルフェルトホルダ         | 2    |
| 15       |      | NS-6110310-SP   | NUT 11/64-40           | ナット 11/64-40       | 1    |
| 16       |      | BP-8000000-00   | VINYL TUBE, WHITE D=8  | ビニールチューブ 白 D=8     | 0.5  |
| 17       |      | 103-21602       | FELT                   | フェルト               | 1    |
| 18       |      | B3509-512-000   | OIL FELT HOLDER        | オイルフェルトホルダ         | 1    |
| 19       |      | SS-7110710-SP   | SCREW 11/64-40 L=7     | ビス 11/64-40 L=7    | 2    |
| 20       |      | SO-1150451-MZ   | CONNECTING SCREW       | 接続ビス               | 2    |
| 21       |      | B3526-226-000   | OIL SPONGE             | オイルスポンジ            | 1    |
| 22       |      | SO-1110401-MZ   | CONNECTING SCREW       | 接続ビス               | 6    |
| 23       |      | B3534-155-000   | PLUNGER                | プランジャ              | 1    |
| 24       |      | B1214-038-000   | PLUNGER SPRING         | プランジャスプリング         | 1    |
| 25       |      | B3524-552-000   | PLUNGER THRUST PLATE   | プランジャスラストプレート      | 1    |
| 26       |      | BP-3000000-00   | VINYL TUBE, WHITE D=3  | ビニールチューブ 白 D=3     | 0.1  |
| 27       |      | SS-7110710-SP   | SCREW 11/64-40 L=7     | ビス 11/64-40 L=7    | 1    |
| 28       |      | B1934-512-000-A | OIL ADJUSTING SCREW    | オイル調整ビス            | 2    |
| 29       |      | NS-6110420-SP   | NUT 11/64-40           | ナット 11/64-40       | 2    |
| 30       |      | SO-1110401-MZ   | CONNECTING SCREW       | 接続ビス               | 1    |
| 31       |      | 101-26903       | OIL TUBE HOLDER        | オイルチューブホルダ         | 1    |
| 32       |      | B3538-112-000   | CORD HOLDER            | ケーブルホルダ            | 1    |
| 33       |      | SS-7110710-SP   | SCREW 11/64-40 L=7     | ビス 11/64-40 L=7    | 1    |
| 34       |      | BP-3000000-00   | VINYL TUBE, WHITE D=3  | ビニールチューブ 白 D=3     | 0.3  |
| 35       |      | BP-3000000-00   | VINYL TUBE, WHITE D=3  | ビニールチューブ 白 D=3     | 0.1  |
| 36       |      | SS-7110410-SP   | SCREW 11/64-40 L=4     | ビス 11/64-40 L=4    | 1    |
| 37       |      | NS-6090310-SP   | NUT 9/64-40            | ナット 9/64-40        | 1    |
| 38       |      | SS-7090910-SP   | SCREW 9/64-40 L= 8.5   | ビス 9/64-40 L=8.5   | 1    |
| 39       |      | B1850-512-000   | BUSHING HOLDER         | ブッシングホルダ           | 1    |
| 40       |      | B1851-512-000   | FILTER SCREEN          | フィルタスクリーン          | 1    |
| 41       |      | SS-2110930-SP   | SCREW 11/64-40 L=8.7   | ビス 11/64-40 L=8.75 | 1    |
| 42       |      | 101-26324       | SUCTION                | 吸引                 | 1    |
| 43       |      | PS-0250081-K0   | SPRING PIN 2.5X8       | スプリングピン 2.5X8      | 1    |
| 44       |      | SS-6111610-SP   | SCREW 11/64-40 L=16    | ビス 11/64-40 L=16   | 2    |
| 45       |      | B3538-112-000   | CORD HOLDER            | ケーブルホルダ            | 1    |
| 46       |      | SS-7110710-SP   | SCREW 11/64-40 L=7     | ビス 11/64-40 L=7    | 1    |
| 47       |      | BP-3000000-00   | VINYL TUBE, WHITE D=3  | ビニールチューブ 白 D=3     | 0.2  |
| 48       |      | 101-26209       | MANIFOLD               | マニホールド             | 1    |

8. BOBBIN WINDER & OIL RESERVOIR COMPONENTS  
糸巻・油溜関係

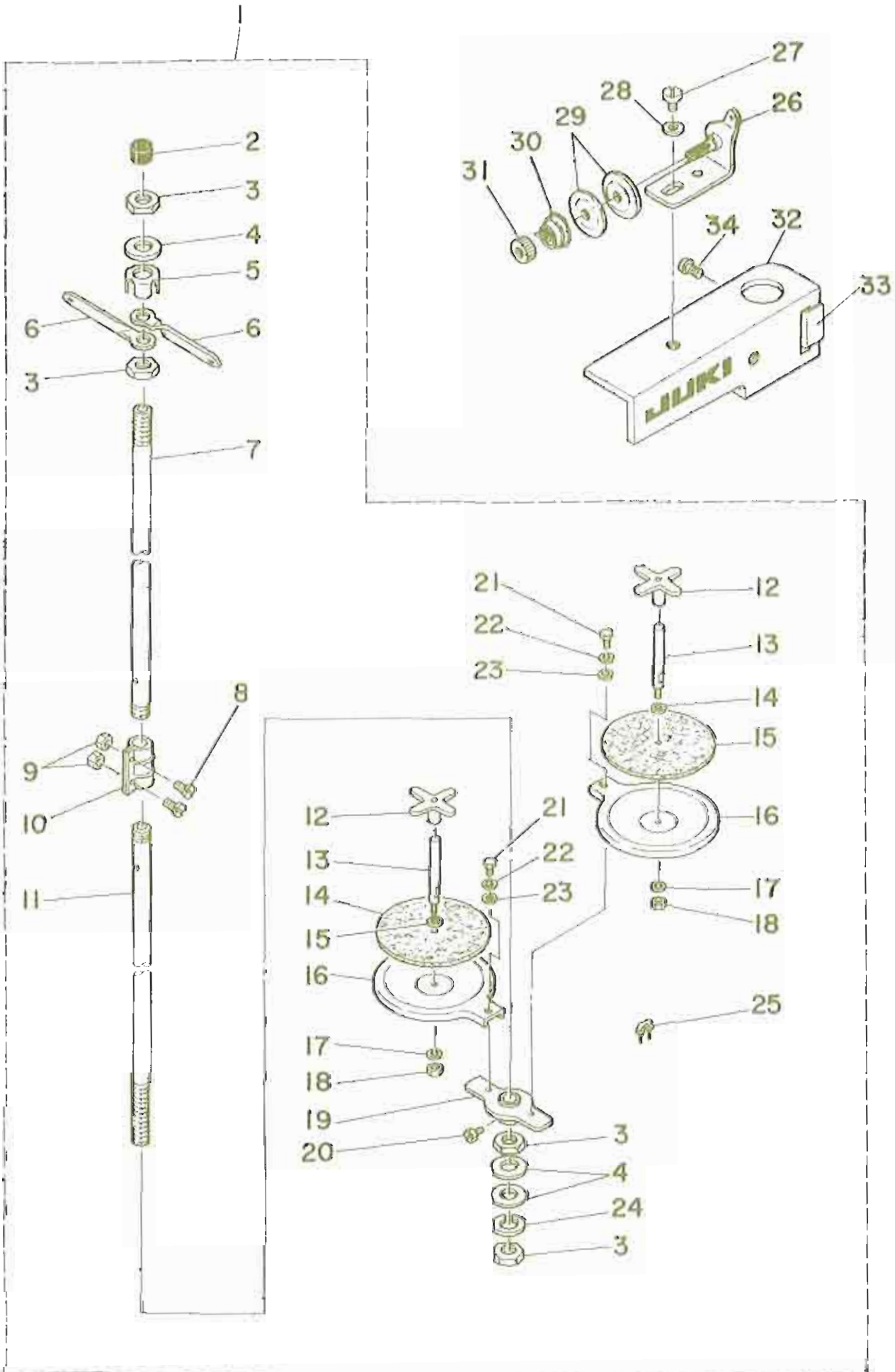


| REF. NO. | NOTE | PART NO.      | DESCRIPTION                   | ヒラキ                | AMT. |
|----------|------|---------------|-------------------------------|--------------------|------|
| 1        |      | B3201-761-000 | BOBBIN WINDER POST BASE ASM.  | イトワシクワイ 23         | 1    |
| 2        |      | B3205-761-000 | BOBBIN WINDER TRIP LATCH      | ホトワチ               | (1)  |
| 3        |      | NS-6110310-SP | NUT 11/64-40                  | 0ツカツツ 11/64-40     | (2)  |
| 4        |      | B3206-761-000 | BOBBIN WINDER BEARING BRACKET | イトワ トリツクイ          | (1)  |
| 5        |      | SD-0720221-SP | HINGE SCREW D=7.24 H=2.2      | クワツク D=7.24 H=2.2  | (1)  |
| 6        |      | B3210-761-000 | PLATE SPRING                  | ホトワチ 19EA          | (1)  |
| 7        |      | SS-7060310-SP | SCREW 3/32-56 L=3             | ワヒラツク 3/32-56 L=3  | (1)  |
| 8        |      | A3208-958-000 | SPRING                        | イトワシクワイ H          | (1)  |
| 9        |      | B3213-761-000 | BOBBIN WINDER TRIP LATCH      | イトワトリツクワイ H        | (1)  |
| 10       |      | B3206-232-000 | BOBBIN WINDER TENSION BRACKET | イトワシクワイ フヨ-ヒツク     | (1)  |
| 11       |      | B3202-761-0A0 | BOBBIN WINDER POST ASM.       | イトワシク 23           | (1)  |
| 12       |      | B3201-761-000 | BOBBIN WINDER BEARING BRACKET | イトワシクワイ            | (1)  |
| 13       |      | B3203-761-0A0 | BOBBIN WINDER WORM WHEEL      | イトワクワ 23           | (1)  |
| 14       |      | B3204-761-000 | RING                          | イトワクワ 23           | (1)  |
| 15       |      | NS-6120310-SP | NUT 3/16-28                   | 0ツカツツ 3/16-28      | (1)  |
| 16       |      | SD-0640901-SP | HINGE SCREW D=6.35 H=9.0      | クワツク D=6.35 H=9    | (1)  |
| 17       |      | SS-7110710-SP | SCREW 11/64-40 L=7            | ワヒラツク 11/64-40 L=7 | 3    |
| 18       |      | WP-0501016-SD | WASHER 5X10.5X1               | ヒラツク 5X10.5X1      | 3    |
| 19       |      | WP-0450301-SD | WASHER 4.5X10.0X0.8           | ヒラツク 4.5X10X0.8    | 1    |
| 20       |      | SS-7110710-SP | SCREW 11/64-40 L=7            | ワヒラツク 11/64-40 L=7 | 1    |
| 21       |      | 109-05404     | TAKE-UP THREAD GUIDE, LOWER   | シタイツク              | 1    |
| 22       |      | WP-0501016-SD | WASHER 5X10.5X1               | ヒラツク 5X10.5X1      | 3    |
| 23       |      | SS-6111140-SP | SCREW 11/64-40 L=11           | ヒラツク 11/64-40 L=11 | 1    |
| 24       |      | 109-01205     | THREAD WINDER BASE            | イトワトリツク 23         | 1    |
| 25       |      | 109-01205     | THREAD WINDER BASE            | イトワトリツク 23         | 1    |
| 26       |      | SS-7110510-SP | SCREW 11/64-40 L=5            | ワヒラツク 11/64-40 L=5 | 1    |
| 27       |      | 101-28007     | BELT COVER                    | ベルトカバー             | 1    |
| 28       |      | WP-0621016-SD | WASHER 6.2X13X1               | ヒラツク 6.2X13X1      | 1    |
| 29       |      | SS-7150740-SP | SCREW 15/64-28 L=7            | ワヒラツク 15/64-28 L=7 | 1    |
| 30       |      | 100-39105     | BELT COVER SUPPORT STUD       | ベルトカバー - サポート      | 1    |
| 31       |      | SS-7110510-SP | SCREW 11/64-40 L=5            | ワヒラツク 11/64-40 L=5 | 1    |
| 32       |      | 109-03953     | OIL RESERVOIR ASM.            | オイルリザーブ            | 1    |
| 33       |      | 103-22501     | OIL RESERVOIR                 | オイルリザーブ            | (1)  |
| 34       |      | SS-7701010-SP | SCREW 5/16-24 L=10            | ワヒラツク 5/16-24 L=10 | (2)  |
| 35       |      | RD-0681901-00 | RUBBER RING                   | 0リツク               | (2)  |
| 36       |      | TA-1050604-RD | RUBBER PLUG                   | トコ 0=10.5 L=5.5    | (1)  |
| 37       |      | 101-27301     | FILTER SCREEN HOLDER          | フィルタホルダ            | (1)  |
| 38       |      | 101-27603     | FILTER SCREEN                 | フィルタ               | (1)  |
| 39       |      | DB227-555-E00 | FELT CUSHION                  | フェルトクッション          | (4)  |
| 40       |      | 101-27702     | SEAT                          | ワシラツク              | 1    |



9. THREAD STAND COMPONENTS

糸立装置関係

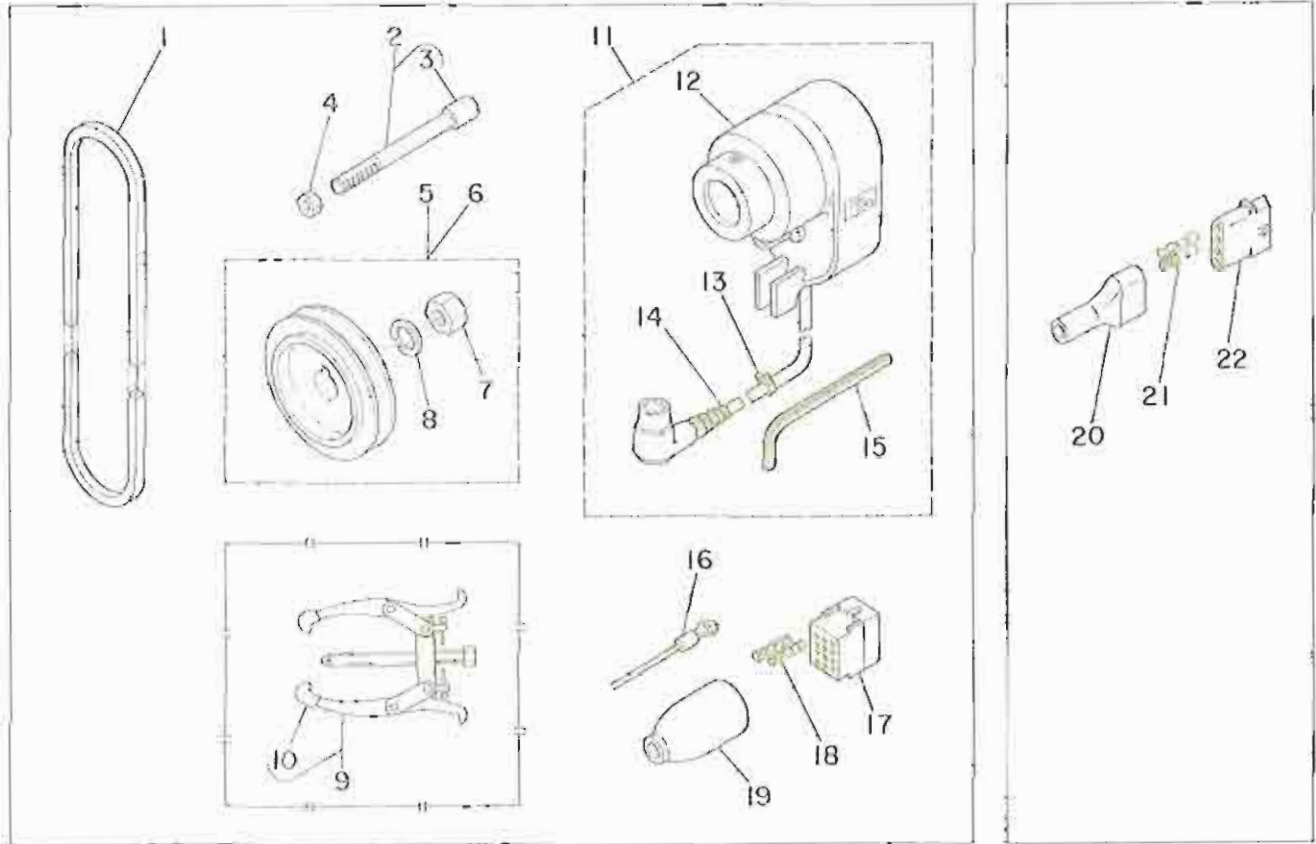




| REF. NO. | NOTE | PART NO.        | DESCRIPTION                 | 品名                     | QTY. |
|----------|------|-----------------|-----------------------------|------------------------|------|
| 1        |      | D3301-555-BA0   | THREAD STAND ASM.           | イトワツ-ト 2ミ              | 1    |
| 2        |      | B3311-704-000   | SPOOL REST ROD RUBBER CAP   | イトワツ-ト 本口コ*6           | (1)  |
| 3        |      | B3317-704-000   | NUT C15                     | イトワツ-ト トメナツト           | (4)  |
| 4        |      | WP-1702600-S0   | WASHER 17X30X2.6            | ヒラワ*カ*ネ 17X30X2.6      | (3)  |
| 5        |      | D3306-555-B00   | THREAD GUIDE STOPPER PLATE  | イトワツイトワツイ トメイダ         | (1)  |
| 6        |      | B3307-704-000   | THREAD GUIDE A              | イトワツ イトワツイ A           | (2)  |
| 7        |      | B3313-704-000-A | SPOOL REST ROD, UPPER       | イトワツ-ト 2ミ              | (1)  |
| 8        |      | SM-6041410-SC   | SCREW M4X0.7 L=14           | ヒラコネシ* M4X0.7 L=14     | (2)  |
| 9        |      | NM-6040000-SN   | NUT M4                      | 0ツカツツト M4X0.7 192      | (2)  |
| 10       |      | B3305-704-000-A | SPOOL REST ROD JOINT        | イトワツ-ト ツキ*テ            | (1)  |
| 11       |      | B3301-704-000-A | SPOOL REST ROD, LOWER       | イトワツ-ト シツ              | (1)  |
| 12       |      | B3312-012-000   | SPOOL RETAINER              | イトワツ フレト*4             | (2)  |
| 13       |      | B3305-012-000   | SPOOL PIN                   | イトワツ ツク*ト              | (2)  |
| 14       |      | B3311-012-000   | SPOOL REST CUSHION          | イトワツツク*ト               | (2)  |
| 15       |      | WP-0560860-SE   | WASHER 5.6X12X0.8           | ヒラワ*カ*ネ 5.6X12X0.8     | (2)  |
| 16       |      | B3303-704-000   | SPOOL REST                  | イトワツ ツク*ト              | (2)  |
| 17       |      | WS-0521010-KN   | SPRING WASHER 5.2X8.2X1     | ハ*ネワ*カ*ネ 5.2X8.2X1     | (2)  |
| 18       |      | NS-6123881-SE   | NUT 3/16-28                 | 0ツカツツト 3/16-28         | (2)  |
| 19       |      | D3302-555-B00   | BRACKET                     | イトワツ ツク*トイ             | (2)  |
| 20       |      | SM-9061080-SE   | SCREW M6 L=10               | 0ツカツツト*ネト M6 L=10      | (1)  |
| 21       |      | SM-9050813-SE   | SCREW M5X0.8 L=8            | 0ツカツツト*ネト M5X0.8 L=8   | (2)  |
| 22       |      | WS-0521010-KN   | SPRING WASHER 5.2X8.2X1     | ハ*ネワ*カ*ネ 5.2X8.2X1     | (2)  |
| 23       |      | WP-0520656-SA   | WASHER 5.2X9.5X0.6          | ヒラワ*カ*ネ 5.2X9.5X0.6    | (2)  |
| 24       |      | WS-1643202-KR   | SPRING WASHER               | ハ*ネワ*カ*ネ 16.4X26.6X3.2 | (1)  |
| 25       |      | MA0-1153200     | STAPLE                      | コ-ト* スワツツ*ネ            | (3)  |
| 26       |      | B3223-012-0A0   | THREAD TENSION BRACKET ASM. | イトワツ イトワツ-トシホ*ト*ク*イ 2ミ | 1    |
| 27       |      | SS-4110515-SP   | SCREW 11/64-40 L=5          | ハ*ネシ* 11/64-40 L=5     | 1    |
| 28       |      | WP-0501016-SC   | WASHER 5X10.5X1             | ヒラワ*カ*ネ 5X10.5X1       | 1    |
| 29       |      | B3126-012-000   | TENSION DISC                | イトワツ-ト シツラ             | 2    |
| 30       |      | B3129-012-000   | TENSION SPRING B            | イトワツ-ト シ ハ*ネ B         | 1    |
| 31       |      | B3125-012-000   | THREAD TENSION STUD NUT     | イトワツ-ト シ ツツト           | 1    |
| 32       |      | 109-05305       | HOLDER                      | シツイトワツイトワツツク*ト イトメカツク* | 1    |
| 33       |      | B3318-704-L00   | THREAD GUIDE ARM JOINT      | イトワツイトワツイ シメカツク*       | 1    |
| 34       |      | SM-6061200-SE   | SCREW M6 L=12               | ヒラコネシ* M6 L=12         | 1    |

10. EXCLUSIVE PARTS FOR LT-1040-5  
LT-1040-5 専用部品

11. EXCLUSIVE PARTS FOR LT-1040-4  
LT-1040-4 専用部品



10. EXCLUSIVE PARTS FOR LT-1040-5  
LT-1040-5 専用部品

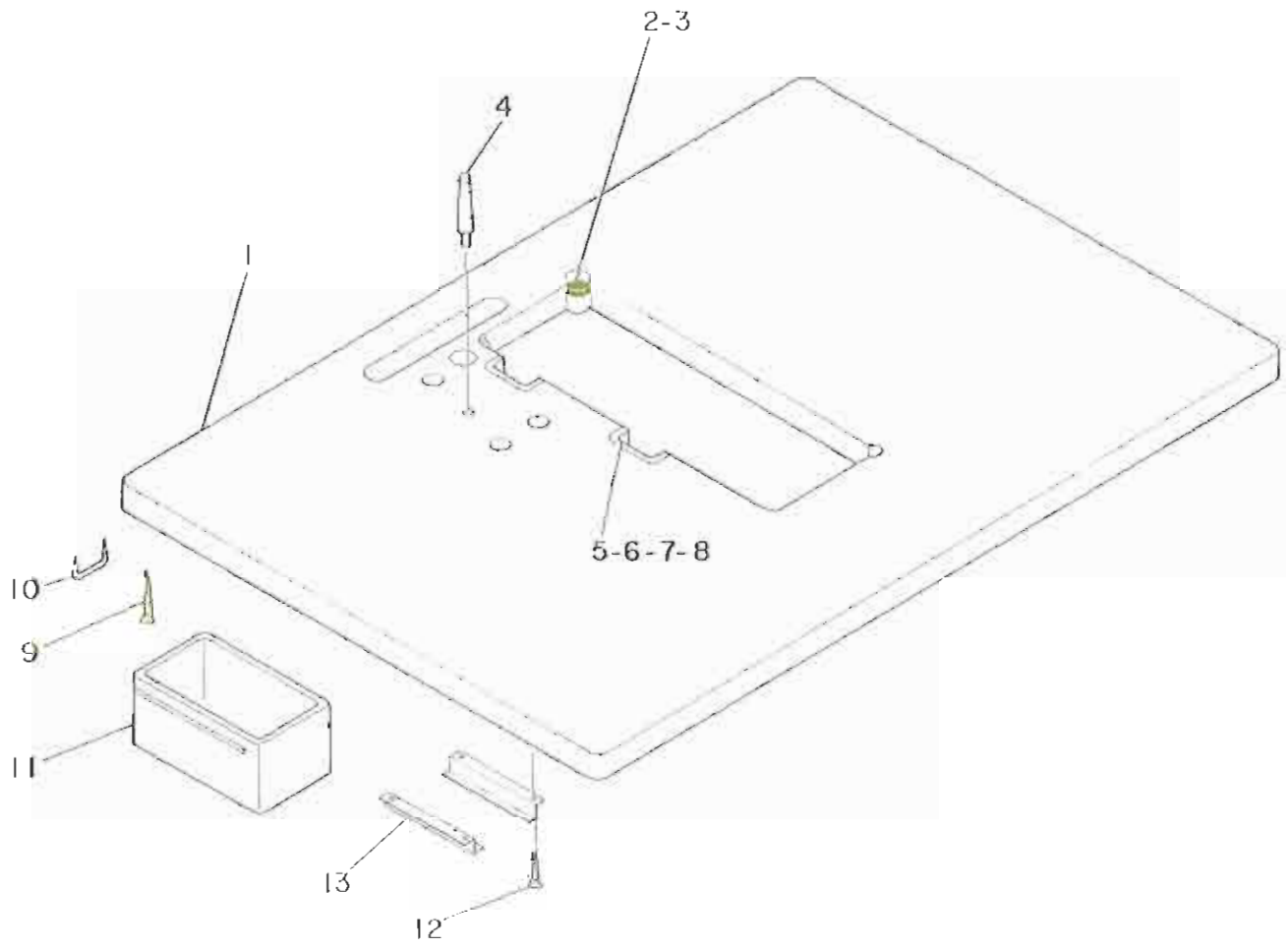
| REF. NO. | NOTE | PART NO.      | DESCRIPTION                   | 品名                   | AMT.  |
|----------|------|---------------|-------------------------------|----------------------|-------|
| 1        |      | MTJ-VM004000  | V-BELT, 40 INCH               | Vベルト 40インチ           | 1     |
| 2        |      | 101-29054     | SYNCHRONIZER HOLDER STUD ASM. | 同期機ホルダスタッドアSEMB      | 1     |
| 3        |      | BT-0630520-Z0 | HOLDER COVER                  | ホルダカバー               | (0.1) |
| 4        |      | NS-6150430-SP | NUT 15/64-28                  | ナット 15/64-28         | 1     |
| 5        | #01  | MTS-P00590A0  | MOTOR PULLEY ASM. P.C.D. 55   | モーターリ P.C.D 55 アSEMB | 1     |
| 6        | #02  | MTS-P00450A0  | MOTOR PULLEY ASM.             | モーターリ                | 1     |
| 7        |      | NM-6550815-SF | NUT                           | ナット                  | (1)   |
| 8        |      | WS-1002560-KR | SPRING WASHER 10X18X2.5       | スプリングワッシャー 10X18X2.5 | (1)   |
| 9        | #03  | J1065-000-0A0 | GEAR PULLER ASM. (KP-40)      | ギアリフトアSEMB (40)      | 1     |
| 10       | #03  | J1065-000-00A | CAP                           | カバー                  | (1)   |
| 11       |      | M8512-120-B00 | DR-TYPE SYNCHRONIZER ASM.     | ドラタイプ同期機アSEMB        | 1     |
| 12       |      | M8512-120-B05 | SYNCHRONIZER                  | 同期機                  | (1)   |
| 13       |      | M9629-110-000 | CLIP                          | クリップ                 | (1)   |
| 14       |      | M8512-120-005 | SYNCHRONIZER CABLE            | 同期機ケーブル              | (1)   |
| 15       |      | B9141-372-000 | HEXAGONAL WRENCH SMALL        | 六角レンチ - 小 (20)       | (1)   |
| 16       |      | B6037-505-0A0 | GROUND WIRE ASM.              | アースワイヤアSEMB          | 1     |
| 17       |      | M9640-110-000 | 12-POLE PLUG                  | 12極プラグ               | 1     |
| 18       |      | B6043-555-B00 | PIN TERMINAL, MALE            | ピンターミナル 雄            | 2     |
| 19       |      | M9637-110-000 | 12-POLE PLUG COVER            | プラグカバー - 12P         | 1     |

11. EXCLUSIVE PARTS FOR LT-1040-4  
LT-1040-4 専用部品

| REF. NO. | NOTE | PART NO.      | DESCRIPTION                | 品名             | AMT. |
|----------|------|---------------|----------------------------|----------------|------|
| 20       |      | B6009-555-09A | 4-POLE NYLON PLUG COVER    | プラグカバー - 4P 20 | 1    |
| 21       |      | D6042-555-B00 | PIN-SHAPE TERMINAL, FEMALE | ピン形状ターミナル 雌    | 2    |
| 22       |      | MAI-15043000  | NYLON RECEPTACLE 4P        | 4P レセプタクル      | 1    |

Note (注記) #01.....For 50Hz 50Hz用  
#02.....For 60Hz 60Hz用  
#03.....Special order part 特別注文部品

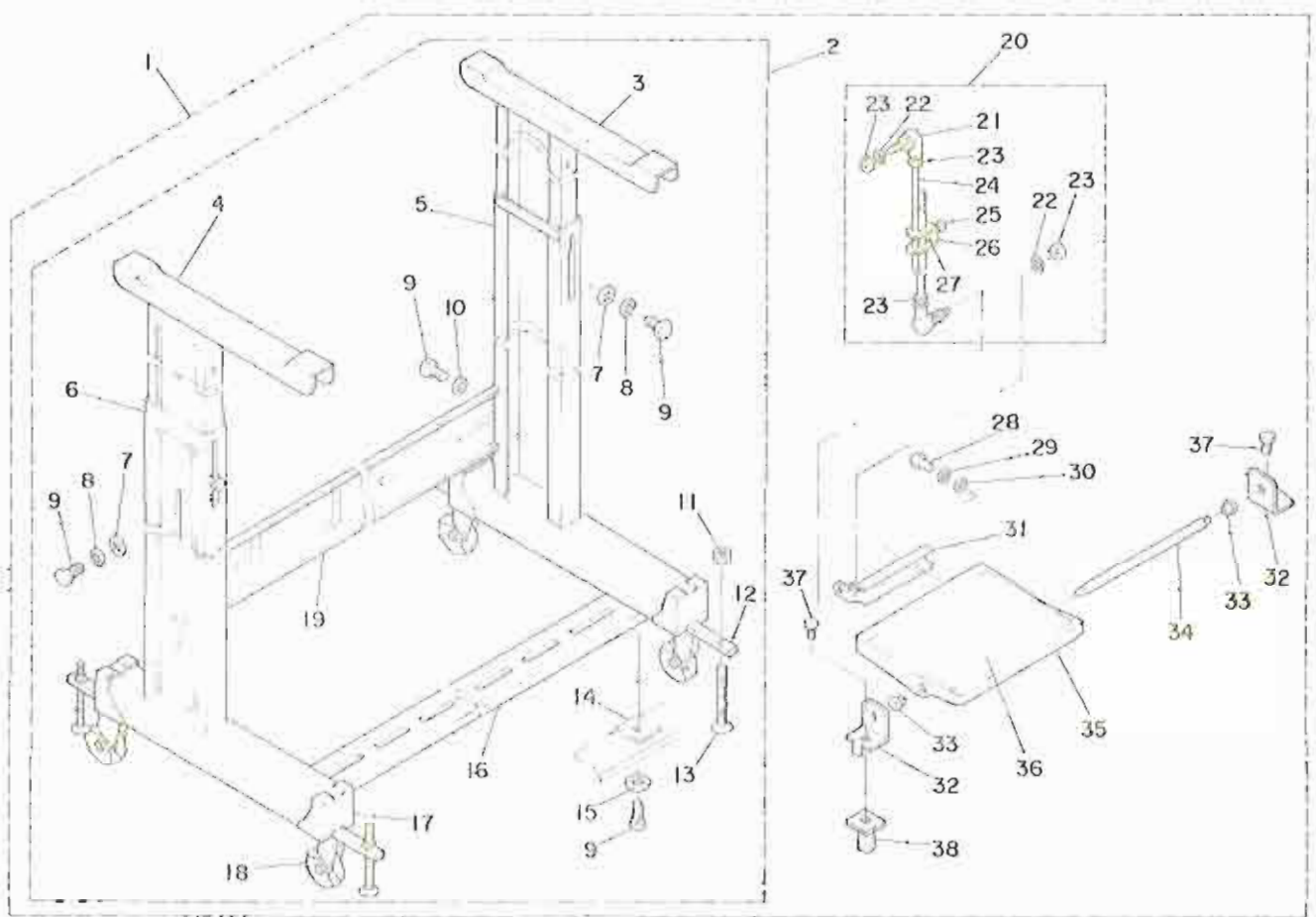
12. TABLE COMPONENTS  
 テーブル関係



| REF. NO. | NOTE | PART NO.      | DESCRIPTION           | 品名                 | AMT. |
|----------|------|---------------|-----------------------|--------------------|------|
| 1        |      | 109-01601     | TABLE                 | テーブル               | 1    |
| 2        |      | 08207-012-000 | CUSHION (A)           | クッション A            | 2    |
| 3        |      | 08209-528-000 | RUBBER BASE           | 天然ゴム               | 2    |
| 4        |      | 08216-012-010 | HEAD SUPPORT ASM.     | ヘッドサポート            | 1    |
| 5        |      | 00213-512-000 | HINGE                 | ヒンジ                | 2    |
| 6        |      | 08212-125-000 | RUBBER HINGE WASHER   | 天然ゴムヒンジワッシャー       | 2    |
| 7        |      | SS-1681140-SP | SCREW 9/32-28 L=11    | ステンレス 9/32-28 L=11 | 4    |
| 8        |      | 08210-012-000 | CUSHION SET NAIL      | クッション (20mm)       | 10   |
| 9        |      | SK-3483200-SC | WOOD SCREW D=4.8 L=20 | 木ねじ D=4.8 L=20     | 4    |
| 10       |      | 08204-555-000 | DRAWER STOPPER        | 引き出し止              | 1    |
| 11       |      | 08203-555-000 | DRAWER                | 引き出し               | 1    |
| 12       |      | SK-1211000-SC | WOOD SCREW D=2.1 L=10 | 木ねじ D=2.1 L=10     | 6    |
| 13       |      | 08204-012-000 | DRAWER SUPPORT        | 引き出しサポーター          | 2    |



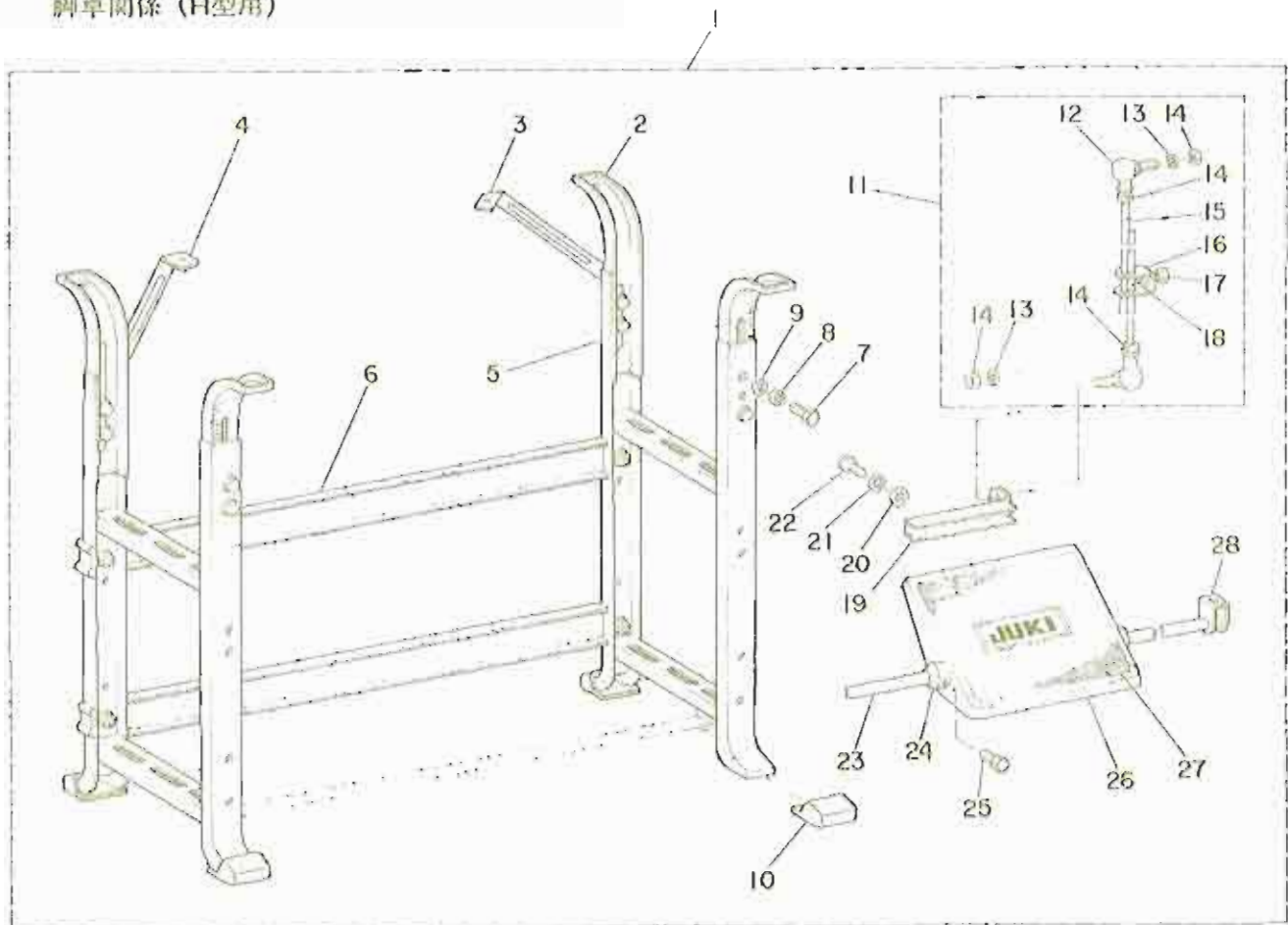
13. TABLE COMPONENTS (FOR T FORM)  
脚卓関係 (T型用)



| REF. NO. | NOTE | PART NO.        | DESCRIPTION                    | 品名            | AMT. |
|----------|------|-----------------|--------------------------------|---------------|------|
| 1        |      | 109-04167       | T TYPE STAND ASM. FOR SITTING  | T形脚卓用組立品      | 1    |
| 2        | #01  | 109-04266       | T TYPE STAND ASM. FOR STANDING | T形脚卓用組立品      | (1)  |
| 3        |      | 170-06602       | T-STAND, RIGHT                 | T形脚卓用組立品      | (1)  |
| 4        |      | 170-07501       | T-STAND, LEFT                  | T形脚卓用組立品      | (1)  |
| 5        |      | 170-07006       | T-STAND, RIGHT                 | T形脚卓用組立品      | (1)  |
| 6        |      | 170-06909       | T-STAND, LEFT                  | T形脚卓用組立品      | (1)  |
| 7        |      | 170-07207       | WASHER                         | T形脚卓用組立品      | (6)  |
| 8        |      | WS-0961610-KR   | SPRING WASHER 3.6X15X1.4       | スプリングワッシャー    | (12) |
| 9        |      | SM-9082023-SE   | SCREW M8 L=20                  | 六角ネジ M8 L=20  | (12) |
| 10       |      | 170-08103       | WASHER                         | T形脚卓用組立品      | (4)  |
| 11       |      | NM-6120003-SE   | NUT M12                        | M12 ナット       | (4)  |
| 12       |      | 109-03102       | WALKING FOOT                   | 歩行脚           | (4)  |
| 13       |      | 98103-WP3-000-4 | ADJUSTING SCREW                | 調整ネジ          | (4)  |
| 14       |      | 170-07402       | NUT                            | ナット           | (2)  |
| 15       |      | 170-08004       | WASHER                         | T形脚卓用組立品      | (2)  |
| 16       |      | 170-07405       | LEG BOTTOM SUPPORT             | T形脚卓用組立品      | (1)  |
| 17       |      | 170-09200       | RUBBER CAP                     | ゴムキャップ        | (4)  |
| 18       |      | 170-07204       | CASTER                         | キャスター         | (4)  |
| 19       |      | 170-06701       | STAND SIDE SUPPORT             | T形脚卓用組立品      | (1)  |
| 20       |      | 170-08657       | CONNECTING ROD ASM.            | 連結棒組立品        | (1)  |
| 21       |      | 170-08756       | JOINT ASM.                     | ジョイント組立品      | (2)  |
| 22       |      | WS-0610002-KN   | SPRING WASHER 6.1X12.2X1.5     | スプリングワッシャー M6 | (2)  |
| 23       |      | NM-6060001-SE   | NUT M6                         | M6 ナット        | (4)  |
| 24       |      | 170-09507       | CONNECTING ROD                 | 連結棒           | (2)  |
| 25       |      | SM-9081423-SE   | SCREW M8 L=14                  | 六角ネジ M8 L=14  | (1)  |
| 26       |      | 170-08905       | CONNECTING ROD JOINT           | 連結棒ジョイント      | (1)  |
| 27       |      | NM-6080011-SE   | NUT M8                         | M8 ナット        | (1)  |
| 28       |      | SM-9061203-SE   | SCREW M6 L=12                  | 六角ネジ M6 L=12  | (2)  |
| 29       |      | WS-0610002-KP   | SPRING WASHER                  | スプリングワッシャー    | (2)  |
| 30       |      | WP-0641600-SF   | WASHER M6                      | ワッシャー M6      | (2)  |
| 31       |      | 170-09506       | PEDAL ADJUSTING PLATE          | ペダル調整プレート     | (1)  |
| 32       |      | 170-09804       | LINER PLATE                    | ライナープレート      | (2)  |
| 33       |      | 170-09408       | PEDAL BUSHING                  | ペダルブッシング      | (2)  |
| 34       |      | 170-09705       | PEDAL SHAFT                    | ペダルシャフト       | (1)  |
| 35       |      | 170-09309       | PEDAL                          | ペダル           | (1)  |
| 36       |      | 109-01502       | RUBBER CAP                     | ゴムキャップ        | (1)  |
| 37       |      | SM-9082003-SE   | SET SCREW FOR LEVER            | 六角ネジ M8 L=20  | (2)  |
| 38       |      | 170-09007       | BRACKET                        | ブラケット         | (2)  |

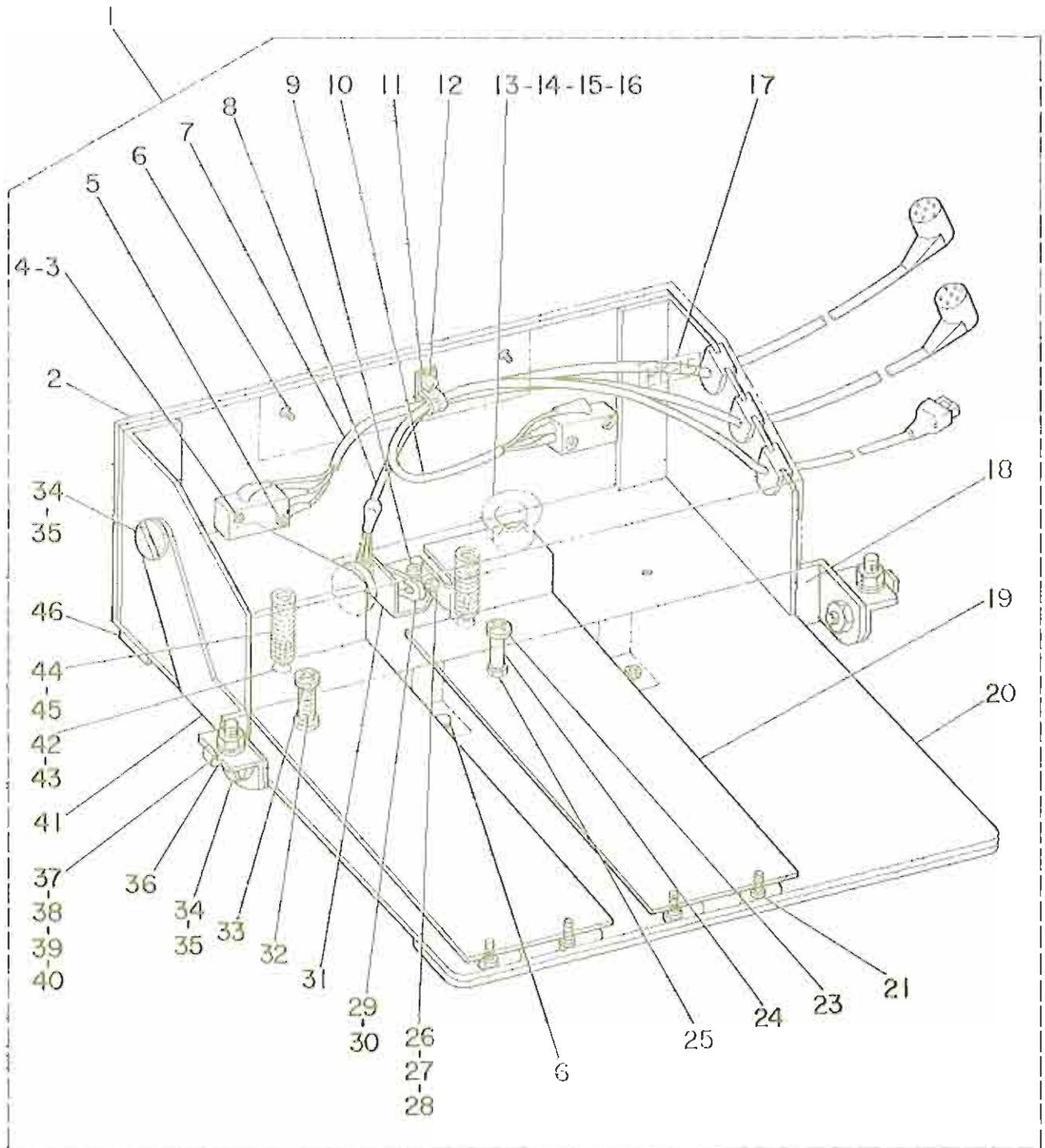


14. TABLE COMPONENTS (FOR H FORM)  
脚卓関係 (H型用)



| REF. NO. | NOTE | PART NO.      | DESCRIPTION                | 品名                      | AMT. |
|----------|------|---------------|----------------------------|-------------------------|------|
| 1        |      | 109-04050     | H TYPE STAND ASM.          | H型スタンド組立                | 1    |
| 2        |      | 109-04803     | PEDAL ADJUSTING PLATE      | 踏踏調整板                   | (4)  |
| 3        |      | 109-04902     | SUPPORT, RIGHT             | 右支持脚                    | (1)  |
| 4        |      | 109-05008     | SUPPORT, LEFT              | 左支持脚                    | (1)  |
| 5        |      | 109-04407     | STAND                      | スタンド                    | (2)  |
| 6        |      | 109-04506     | STAND SIDE SUPPORT         | スタンド側支                  | (2)  |
| 7        |      | SM-9082023-SE | SCREW M8 L=20              | M8 L=20 六角ネジ            | (14) |
| 8        |      | WS-0861410-KR | SPRING WASHER 8.6X15X1.4   | 8.6X15X1.4 スプリングワッシャー   | (14) |
| 9        |      | WP-0871602-SE | WASHER 8.7X18X1.6          | 8.7X18X1.6 ワッシャー        | (14) |
| 10       |      | 109-05206     | RUBBER CAP                 | ゴムキャップ                  | (4)  |
| 11       |      | 170-08657     | CONNECTING ROD ASM.        | 連結棒組立                   | (1)  |
| 12       |      | 170-08756     | JOINT ASM.                 | ジョイント組立                 | (2)  |
| 13       |      | WS-0610002-XN | SPRING WASHER 6.1X12.2X1.5 | 6.1X12.2X1.5 スプリングワッシャー | (2)  |
| 14       |      | NH-6060001-SE | NUT M6                     | M6 六角ナット                | (4)  |
| 15       |      | 170-09507     | CONNECTING ROD             | 連結棒                     | (2)  |
| 16       |      | 170-08905     | CONNECTING ROD JOINT       | 連結棒ジョイント                | (1)  |
| 17       |      | SM-9081423-SE | SCREW M8 L=14              | M8 L=14 六角ネジ            | (1)  |
| 18       |      | NH-6080011-SF | NUT M8                     | M8 六角ナット                | (1)  |
| 19       |      | 170-09606     | PEDAL ADJUSTING PLATE      | 踏踏調整板                   | (1)  |
| 20       |      | WP-0671016-SE | WASHER 6.7X13X1            | 6.7X13X1 ワッシャー          | (2)  |
| 21       |      | WS-0621210-KR | SPRING WASHER 6.2X11.4X1.2 | 6.2X11.4X1.2 スプリングワッシャー | (2)  |
| 22       |      | SM-9061203-SE | SCREW M6 L=12              | M6 L=12 六角ネジ            | (2)  |
| 23       |      | 109-04605     | PEDAL CONNECTING ROD       | 踏踏連結棒                   | (1)  |
| 24       |      | 109-04704     | PEDAL SHAFT BRACKET        | 踏踏シャフトブラケット             | (2)  |
| 25       |      | SS-9150013-SE | SCREW                      | 六角ネジ                    | (2)  |
| 26       |      | 109-04308     | PEDAL                      | 踏踏                      | (1)  |
| 27       |      | 109-01502     | RUBBER CAP                 | ゴムキャップ                  | (1)  |
| 28       |      | 109-05107     | HOLDER                     | ホルダー                    | (2)  |

15. 2-PEDAL FOOT SWITCH COMPONENTS (PK-15)  
 2 速ペダル関係 (PK-15)

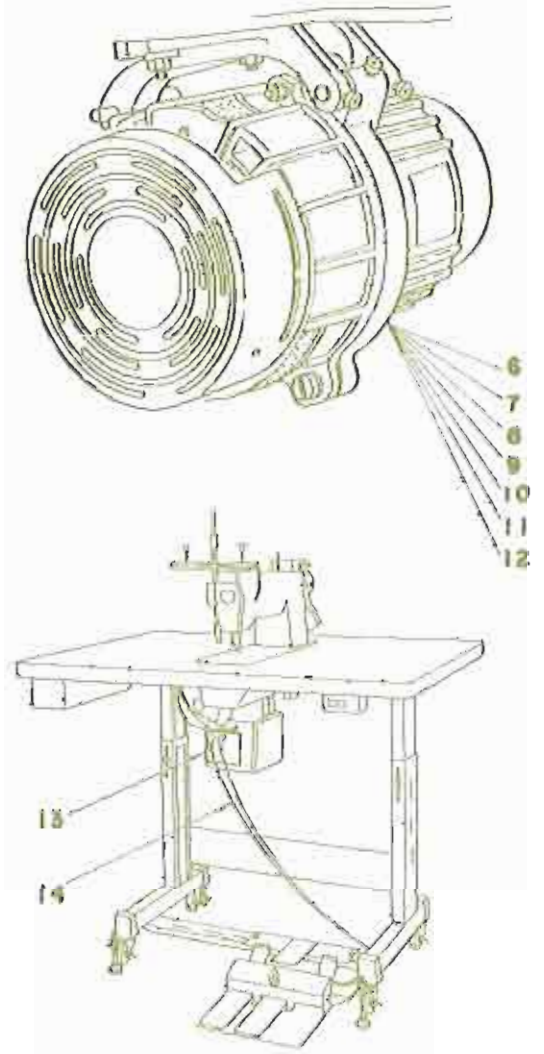
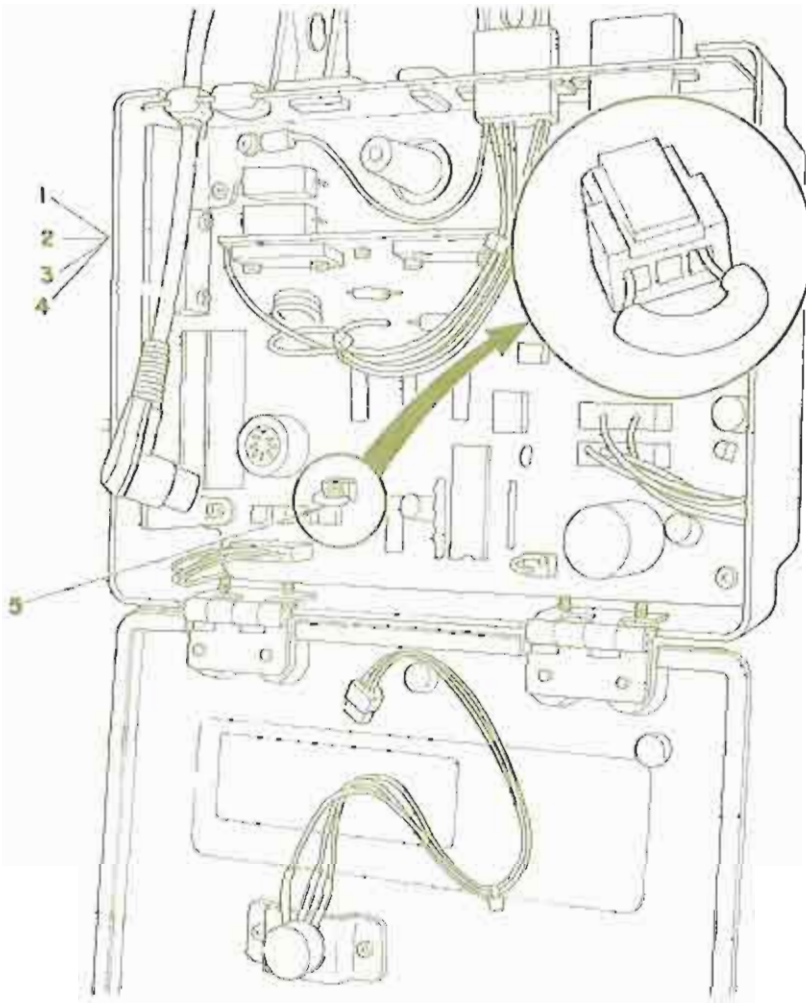


| REF. NO. | NOTE | PART NO.      | DESCRIPTION               | 品名                    | AMT. |
|----------|------|---------------|---------------------------|-----------------------|------|
| 1        |      | GPK-150000A0  | 2-PEDAL FOOT SWITCH ASM.  | 2ペダルフットスイッチ           | 1    |
| 2        |      | GPK-14002000  | SWITCH COVER              | スイッチカバー               | (1)  |
| 3        |      | SL-4031891-SC | SCREW M3 L=19             | スクリュー M3 L=19         | (2)  |
| 4        |      | NM-6030003-SC | NUT M3X0.5                | ナット M3X0.5 391        | (2)  |
| 5        |      | SL-4031481-SC | SCREW M3X14               | スクリュー M3X14           | (2)  |
| 6        |      | SL-4040691-SC | SCREW M4 L=6              | スクリュー M4X0.7 L=6      | (4)  |
| 7        |      | GPK-140160A0  | THREAD BREAKAGE CORD ASM. | 糸切りコード                | (1)  |
| 8        |      | GPK-120240A0  | PEDAL SENSOR VOLUME ASM.  | ペダルセンサーボリューム          | (1)  |
| 9        |      | SL-4030681-SC | SCREW M3 L=6              | スクリュー M3X0.5 L=6 M3   | (2)  |
| 0        |      | GPK-140040A0  | SWITCH ASM.               | スイッチ                  | (1)  |
| 11       |      | MAZ-02508000  | CORD HOLDER               | コードホルダー               | (1)  |
| 12       |      | SL-4040891-SC | SCREW M4X0.7 L=8          | スクリュー M4X0.7 L=8      | (1)  |
| 13       |      | GPK-12027000  | NUT                       | ナット                   | (1)  |
| 14       |      | SM-9101603-SC | SCREW                     | ナット                   | (1)  |
| 15       |      | WP-1052001-SC | WASHER 10.5X21X2          | ワッシャー 10.5X21X2 M10   | (1)  |
| 16       |      | WS-1020002-KN | SPRING WASHER M10         | スプリングワッシャー M10        | (1)  |
| 17       |      | GPK-15001000  | SEAL                      | シール                   | (1)  |
| 18       |      | GPK-14006000  | PEDAL BASE COUPLER, RIGHT | ペダルベースカップラー 右         | (1)  |
| 19       |      | GPK-14008000  | VARIABLE SPEED PEDAL      | 可変スピードペダル             | (1)  |
| 20       |      | GPK-14001000  | PEDAL BASE                | ペダルベース                | (1)  |
| 21       |      | GPK-12020000  | PEDAL MAT                 | ペダルマット                | (1)  |
| 22       |      | SM-1030501-SC | SCREW M3X0.5 L=5          | スクリュー M3X0.5 L=5      | (6)  |
| 23       |      | SM-4032501-SN | SCREW M3X0.5 L=25         | スクリュー M3X0.5 L=25     | (1)  |
| 24       |      | GPK-14014000  | GUIDE COLLAR              | ガイドカラー                | (1)  |
| 25       |      | NM-6030001-SC | NUT M3                    | ナット M3X0.5 191        | (2)  |
| 26       |      | GPK-12005000  | PEDAL LINK PIN            | ペダルリンクピン              | (1)  |
| 27       |      | NM-6040001-SC | NUT M4                    | ナット M4X0.7 191        | (1)  |
| 28       |      | NM-6040003-SC | NUT M4                    | ナット M4X0.7 391        | (1)  |
| 29       |      | M2004-110-000 | VOLUME LINK               | ボリュームリンク              | (1)  |
| 30       |      | SM-4030801-SN | SCREW M3X0.5 L=8          | スクリュー M3X0.5 L=8      | (1)  |
| 31       |      | GPK-12006000  | VOLUME INSTALLING PLATE   | ボリューム取り付けプレート         | (1)  |
| 32       |      | GPK-14015000  | GUIDE COLLAR              | ガイドカラー                | (1)  |
| 33       |      | SM-4032001-SN | SCREW M3X0.5 L=20         | スクリュー M3X0.5 L=20     | (1)  |
| 34       |      | SD-0901201-TP | HINGE SCREW D=9 H=3.2     | ヒンジスクリュー D=9 H=3.2    | (4)  |
| 35       |      | NS-6690410-SP | NUT 9/32-28               | ナット 9/32-28           | (4)  |
| 36       |      | DB114-555-B0E | PEDAL SHAFT BRACKET       | ペダルシャフトブラケット          | (2)  |
| 37       |      | SM-9092023-SE | SCREW M8 L=20             | ナット M8 L=20           | (2)  |
| 38       |      | WP-0871602-SE | WASHER 8.7X18X1.6         | ワッシャー 8.7X18X1.6      | (2)  |
| 39       |      | WS-0861410-KR | SPRING WASHER 8.6X15X1.4  | スプリングワッシャー 8.6X15X1.4 | (2)  |
| 40       |      | NM-6080721-SE | NUT M8                    | ナット M8                | (2)  |
| 41       |      | GPK-14007000  | PEDAL BASE COUPLER, LEFT  | ペダルベースカップラー 左         | (1)  |
| 42       |      | SM-1031201-SC | SCREW M3X0.5 L=12         | スクリュー M3X0.5 L=12     | (2)  |
| 43       |      | WP-0320501-SC | WASHER 3.2X7X0.5          | ワッシャー 3.2X7X0.5       | (2)  |
| 44       |      | GPK-14013000  | SPRING                    | スプリング                 | (2)  |
| 45       |      | GPK-14009000  | SPRING GUIDE              | スプリングガイド              | (2)  |
| 46       |      | GPK-14010000  | PEDAL BASE RUBBER         | ペダルベースラバー             | (1)  |



16. MOTOR & SWITCH COMPONENTS

モーター・スイッチ関係



| Part No.             | Description                | 品名                        | Qty. Req. |
|----------------------|----------------------------|---------------------------|-----------|
| 1 #01 H0011-070-AA0  | PSC BOX (HC-50C, 200V)     | PSCボックス (HC-50C, 200V)    | 1         |
| 2 #01 H0011-070-BA0  | PSC BOX (HC-50C, 100V)     | PSCボックス (HC-50C, 100V)    | 1         |
| 3 #01 H0011-070-DA0  | PSC BOX (HC-50C, 115V)     | PSCボックス (HC-50C, 115V)    | 1         |
| 4 #01 H0011-070-EA0  | PSC BOX (HC-50C, 220V)     | PSCボックス (HC-50C, 220V)    | 1         |
| 5 109-03250          | ADJUSTING RESISTOR         | 調整抵抗器                     | 1         |
| 6 #01 H8401-230-BA0  | MOTOR (100V, 250W 4P)      | モーター (100V, 250W 4P)      | 1         |
| 7 #01 H8411-131-BA0  | MOTOR (110V-120V, 250W 4P) | モーター (110V-120V, 250W 4P) | 1         |
| 8 #01 H8411-132-BA0  | MOTOR (200V-240V, 250W 4P) | モーター (200V-240V, 250W 4P) | 1         |
| 9 #01 H8411-130-AA0  | MOTOR (200V, 250W 4P)      | モーター (200V, 250W 4P)      | 1         |
| 10 #01 H8411-131-AA0 | MOTOR (200V-250V, 250W 4P) | モーター (200V-250V, 250W 4P) | 1         |
| 11 #01 H8411-132-AA0 | MOTOR (380V-440V, 250W 4P) | モーター (380V-440V, 250W 4P) | 1         |
| 12 #01 H8411-134-AA0 | MOTOR (380V, 250W 4P)      | モーター (380V, 250W 4P)      | 1         |
| 13 #02 H8507-120-0AP | PEDAL CONTROL UNIT         | ペダルコントロールユニット             | 1         |
| 14 #02 H9626-120-0AP | CORD ASM.                  | コード                       | 1         |

Notes(注記) #01.....Selecting part

#02.....For PK-15

選定部品

PK-15用



NUMERICAL INDEX OF PARTS

索引

| エフナンバー          | P. REF S | エフナンバー          | P. REF S | エフナンバー        | P. REF S | エフナンバー        | P. REF S |
|-----------------|----------|-----------------|----------|---------------|----------|---------------|----------|
|                 |          | 83317-012-000   | 18 12    |               |          | SM-9050813-SE | 18 21    |
| A3208-958-000   | 16 8     | 83315-704-000-A | 18 7     | MA1-15043800  | 19 22    | SM-9061000-SE | 18 20    |
| A4078-550-00A   | 10 31    | 83317-704-000   | 18 3     | MA0-11532000  | 18 25    | SM-9061203-SE | 21 28    |
|                 |          | 83318-704-L00   | 18 33    | MAR-00901000  | 7 11     | SM-9061203-SE | 22 22    |
| BP-3000000-00   | 14 26    | 83413-227-000   | 2 16     | MA7-02508000  | 24 11    | SM-9081423-SE | 21 25    |
| BP-3000000-00   | 14 34    | 83508-512-000   | 14 18    | MC-0190809-05 | 6 31     | SM-9081423-SE | 22 17    |
| BP-3000000-00   | 14 35    | 83524-552-000   | 14 25    | MHT-19081400  | 6 30     | SM-9082003-SE | 21 37    |
| BP-3000000-00   | 14 47    | 83526-226-000   | 14 21    | MTJ-VH004000  | 19 1     | SM-9082023-SE | 21 9     |
| BP-8000000-00   | 14 16    | 83530-555-000   | 14 9     | MTS-P00450A0  | 19 6     | SM-9082023-SE | 22 7     |
| BT-0630520-70   | 19 3     | 83534-155-000   | 14 23    | MTS-P00550A0  | 19 5     | SM-9082023-SE | 24 37    |
| 81114-051-000   | 2 10     | 83538-112-000   | 12 32    | M2004-110-000 | 24 29    | SM-9101603-SC | 24 14    |
| 81118-522-000   | 2 5      | 83539-112-000   | 14 32    | M8512-120-HB0 | 19 11    | SO-1110401-MZ | 14 22    |
| 81119-522-000   | 2 6      | 83538-112-000   | 14 45    | M8512-120-B05 | 19 12    | SO-1110401-MZ | 14 20    |
| 81126-552-000   | 12 7     | 83554-481-000   | 14 6     | M8512-120-005 | 19 14    | SO-1150451-MZ | 14 30    |
| 81127-415-000   | 2 45     | 86037-505-0A0   | 19 16    | M9628-110-000 | 19 13    | SS-1631140-SP | 20 7     |
| 81130-051-000   | 2 29     | 88103-WP3-000-A | 21 13    | M9637-110-000 | 19 19    | SS-2040210-SH | 8 21     |
| 81140-526-000   | 2 26     | 88204-012-000   | 20 13    | M9640-110-000 | 19 17    | SS-2080010-SP | 10 6     |
| 81203-512-000   | 4 22     | 88207-012-000   | 20 2     |               |          | SS-2090710-SP | 2 30     |
| 81206-051-000   | 4 3      | 88209-528-000   | 20 3     | NM-6030001-SC | 24 25    | SS-2090710-SP | 2 36     |
| 81210-051-0A0   | 4 1      | 88210-012-000   | 20 8     | NM-6030003-SC | 24 4     | SS-2110920-TP | 2 42     |
| 81213-012-000   | 6 9      | 88212-125-000   | 20 6     | NM-6050000-SN | 13 9     | SS-2110930-SP | 14 41    |
| 81214-019-000   | 4 15     | 88213-512-000   | 20 5     | NM-6060001-SC | 24 27    | SS-3090610-SP | 2 25     |
| 81214-038-000   | 14 24    | 88216-012-0A0   | 20 4     | NM-6060003-SC | 24 28    | SS-3090710-TP | 12 5     |
| 81302-051-000   | 4 18     | 89141-372-000   | 19 15    | NM-6050001-SP | 10 27    | SS-4110510-SP | 18 27    |
| 81408-051-000   | 4 26     |                 |          | NM-6060001-SE | 21 23    | SS-5060310-SP | 6 28     |
| 81411-053-0A0   | 6 24     | CQ-2000000-00   | 14 2     | NM-6060001-SE | 22 14    | SS-5090420-SP | 12 8     |
| 81412-051-000   | 6 25     | CQ-2020000-00   | 4 28     | NM-6080011-SF | 21 27    | SS-5090610-SP | 10 6     |
| 81419-053-000   | 6 29     | CQ-2020000-00   | 4 34     | NM-6080011-SF | 22 13    | SS-5110740-TP | 12 14    |
| 81501-241-H00   | 6 36     | CQ-2020000-00   | 8 37     | NM-6080721-SE | 24 40    | SS-6060410-TP | 2 41     |
| 81505-051-A00   | 6 48     | CQ-2020000-00   | 8 42     | NM-6120003-SE | 21 11    | SS-6090612-TP | 10 1     |
| 81702-012-000   | 6 10     | CQ-2520000-00   | 4 32     | NM-6550815-SF | 19 7     | SS-6090010-SP | 8 38     |
| 81802-512-0A0-A | 8 2      | CQ-3030000-00   | 4 2      | NS-6090310-SP | 14 57    | SS-6110610-TP | 8 16     |
| 81802-515-0A0   | 8 9      | CS-0700011-SH   | 10 50    | NS-6090530-SP | 2 46     | SS-6110810-TP | 6 15     |
| 81815-563-000   | 8 28     | CS-1470710-SH   | 10 18    | NS-6110310-SH | 14 12    | SS-6111010-SP | 10 17    |
| 81816-512-0A0   | 8 7      |                 |          | NS-6110310-SP | 14 15    | SS-6111140-SP | 2 7      |
| 81818-051-000   | 8 27     | 01450-055-8A0   | 4 13     | NS-6110310-SP | 16 3     | SS-6111140-SP | 16 23    |
| 81820-051-000   | 8 36     | 01453-055-800   | 6 6      | NS-6110420-SP | 2 12     | SS-6111610-SP | 14 44    |
| 81821-051-000   | 8 41     | 01454-055-8A0   | 6 3      | NS-6110420-SP | 8 46     | SS-6121610-TP | 10 30    |
| 81823-051-000   | 8 44     | 01455-055-800   | 6 5      | NS-6110420-SP | 14 29    | SS-6151040-SP | 10 49    |
| 81834-512-000-A | 14 28    | 01456-055-800   | 6 11     | NS-6110530-SP | 6 3      | SS-6151040-SP | 14 5     |
| 81850-512-000   | 14 39    | 01457-055-800   | 6 7      | NS-6120310-SP | 16 15    | SS-6151220-SP | 10 25    |
| 81851-512-000   | 14 40    | 02107-555-000   | 10 57    | NS-6123881-SE | 18 18    | SS-6153040-SP | 8 32     |
| 81853-512-000-A | 10 23    | 02430-555-000   | 10 26    | NS-6150430-SP | 19 4     | SS-6560250-TH | 8 22     |
| 81860-512-000   | 8 29     | 03168-555-H00   | 12 10    | NS-6160520-SP | 12 16    | SS-6661110-SP | 4 25     |
| 81907-051-0A0   | 4 27     | 03301-555-9A0   | 18 1     | NS-6680310-SP | 2 15     | SS-7060310-SP | 16 7     |
| 82017-372-000   | 12 21    | 03302-555-800   | 18 19    | NS-6680430-SP | 6 12     | SS-7060610-SP | 8 30     |
| 82019-372-000   | 12 17    | 03306-555-000   | 18 5     | NS-6680410-SP | 24 35    | SS-7080510-TP | 6 27     |
| 82037-372-000   | 10 43    | 03916-481-000   | 10 52    |               |          | SS-7090520-SP | 2 28     |
| 83119-771-000   | 12 23    | 06009-555-00A   | 19 20    | PS-0250081-K0 | 14 43    | SS-7090710-SP | 12 25    |
| 83120-125-000   | 12 22    | 06042-555-000   | 19 21    |               |          | SS-7090910-SP | 6 26     |
| 83125-012-000   | 12 6     | 06043-555-800   | 19 19    | RE-0250000-K0 | 10 36    | SS-7090910-SP | 14 58    |
| 83125-012-000   | 18 31    | 08114-555-00E   | 24 36    | RE-0740000-K0 | 10 46    | SS-7090910-TP | 6 33     |
| 83126-012-000   | 12 19    | 08203-555-800   | 20 11    | RO-0371801-00 | 4 33     | SS-7091310-SP | 6 44     |
| 83126-012-000   | 12 29    | 08204-555-000   | 20 10    | RO-0681901-00 | 16 35    | SS-7110410-SP | 14 36    |
| 83128-051-000   | 12 2     | 08227-555-000   | 16 39    | RQ-0742401-00 | 6 38     | SS-7110510-SP | 2 19     |
| 83129-012-000   | 18 30    |                 |          | RQ-1952401-00 | 14 8     | SS-7110510-SP | 16 26    |
| 83132-012-000   | 12 20    | EA-9502805-00   | 14 14    |               |          | SS-7110510-SP | 16 31    |
| 83137-527-0A0   | 12 4     |                 |          | SB-1200002-00 | 8 14     | SS-7110710-SP | 2 7      |
| 83138-512-000   | 2 27     | GPK-12005000    | 24 26    | SB-3095301-0C | 8 43     | SS-7110710-SP | 2 14     |
| 83140-059-000   | 4 11     | GPK-12006000    | 24 31    | SD-0640901-SP | 16 16    | SS-7110710-SP | 14 7     |
| 83201-761-000   | 16 1     | GPK-12020000    | 24 21    | SD-0720221-SP | 16 5     | SS-7110710-SP | 14 19    |
| 83201-761-000   | 16 12    | GPK-12024000    | 24 8     | SD-0901201-TP | 24 34    | SS-7110710-SP | 14 27    |
| 83202-761-000   | 16 11    | GPK-12027000    | 24 13    | SK-1211400-SC | 20 12    | SS-7110710-SP | 14 33    |
| 83203-761-000   | 16 13    | GPK-14001000    | 24 20    | SK-3483200-SC | 20 9     | SS-7110710-SP | 14 46    |
| 83204-761-000   | 16 14    | GPK-14002000    | 24 2     | SL-4030681-SC | 24 9     | SS-7110710-SP | 16 17    |
| 83205-761-000   | 16 2     | GPK-14004000    | 24 10    | SL-4031481-SC | 24 5     | SS-7110710-SP | 16 20    |
| 83206-732-000   | 16 10    | GPK-14006000    | 24 18    | SL-4031991-SC | 24 3     | SS-7110910-SP | 2 5      |
| 83206-761-000   | 16 4     | GPK-14007000    | 24 41    | SL-4040691-SC | 24 6     | SS-7110910-SP | 2 6      |
| 83210-761-000   | 16 6     | GPK-14009000    | 24 19    | SL-4040891-SC | 24 12    | SS-7110910-SP | 2 23     |
| 83213-761-000   | 16 9     | GPK-14009000    | 24 45    | SM-1030501-SC | 24 22    | SS-7110910-SP | 10 39    |
| 83214-047-000   | 12 11    | GPK-14010000    | 24 46    | SM-1031201-SC | 24 42    | SS-7111310-TP | 6 16     |
| 83216-047-000   | 12 9     | GPK-14013000    | 24 44    | SM-4030401-SC | 12 33    | SS-7111410-SP | 14 13    |
| 83223-012-0A0   | 13 26    | GPK-14014000    | 24 24    | SM-4030601-SN | 12 29    | SS-7111420-SP | 2 1      |
| 83301-704-000-A | 13 11    | GPK-14015000    | 24 52    | SM-4030801-SN | 24 30    | SS-7112420-SP | 14 10    |
| 83303-704-000   | 18 16    | GPK-14016000    | 24 7     | SM-4032001-SC | 24 33    | SS-7121410-SP | 6 40     |
| 83305-012-000   | 13 13    | GPK-15000000    | 24 1     | SM-4032501-SN | 24 23    | SS-7121410-SP | 10 15    |
| 83305-704-000-A | 13 10    | GPK-15001000    | 24 17    | SM-4040601-S9 | 10 41    | SS-7150740-SP | 16 29    |
| 83307-704-000   | 18 6     |                 |          | SM-4041410-SC | 18 8     | SS-7151610-SP | 10 10    |
| 83311-012-000   | 13 14    | J1065-000-0A0   | 19 9     | SM-6061200-SE | 18 34    | SS-7681750-TP | 4 6      |
| 83311-704-000   | 13 7     | J1065-000-00A   | 19 10    | SM-7082550-SP | 8 51     | SS-7681750-TP | 4 17     |

| ヒョウマシ          | P. | REF | ヒョウマシ     | P. | REF | ヒョウマシ     | P. | REF | ヒョウマシ | P. | REF |
|----------------|----|-----|-----------|----|-----|-----------|----|-----|-------|----|-----|
| SS-7701010-SP  | 10 | 34  | 101-08504 | 8  | 1   | 109-00553 | 12 | 27  |       |    |     |
| SS-8110410-TP  | 10 | 19  | 101-08611 | 8  | 11  | 109-00603 | 12 | 19  |       |    |     |
| SS-9110510-SP  | 6  | 50  | 101-08751 | 8  | 13  | 109-00702 | 12 | 24  |       |    |     |
| SS-9110510-SP  | 10 | 51  | 101-09205 | 8  | 31  | 109-00900 | 12 | 13  |       |    |     |
| SS-8110750-SP  | 8  | 19  | 101-09900 | 8  | 34  | 109-01007 | 2  | 40  |       |    |     |
| SS-8111010-TP  | 6  | 18  | 101-11201 | 8  | 35  | 109-01106 | 6  | 42  |       |    |     |
| SS-8111010-TP  | 10 | 15  | 101-11500 | 8  | 25  | 109-01205 | 16 | 24  |       |    |     |
| SS-8150760-TP  | 4  | 9   | 101-12060 | 8  | 4   | 109-01205 | 16 | 25  |       |    |     |
| SS-8151150-SP  | 6  | 34  | 101-12407 | 8  | 33  | 109-01304 | 6  | 2   |       |    |     |
| SS-8151150-SP  | 8  | 47  | 101-16051 | 10 | 4   | 109-01403 | 6  | 43  |       |    |     |
| SS-8151150-SP  | 9  | 10  | 101-16507 | 10 | 28  | 109-01502 | 21 | 36  |       |    |     |
| SS-8151150-SP  | 8  | 12  | 101-16606 | 10 | 11  | 109-01502 | 22 | 27  |       |    |     |
| SS-8151160-SP  | 6  | 21  | 101-16754 | 10 | 24  | 109-01601 | 20 | 1   |       |    |     |
| SS-8151550-SP  | 4  | 30  | 101-16804 | 10 | 9   | 109-01700 | 6  | 35  |       |    |     |
| SS-8151550-SP  | 8  | 49  | 101-16903 | 10 | 22  | 109-01809 | 6  | 22  |       |    |     |
| SS-8151700-SP  | 4  | 21  | 101-17109 | 10 | 12  | 109-01908 | 6  | 45  |       |    |     |
| SS-8152010-SP  | 4  | 20  | 101-17307 | 10 | 21  | 109-02005 | 6  | 13  |       |    |     |
| SS-8152010-SP  | 9  | 3   | 101-17604 | 10 | 35  | 109-02104 | 2  | 24  |       |    |     |
| SS-8621150-SP  | 4  | 12  | 101-17703 | 10 | 43  | 109-02351 | 12 | 15  |       |    |     |
| SS-8660530-TP  | 4  | 14  | 101-17802 | 10 | 33  | 109-02450 | 12 | 1   |       |    |     |
| SS-8660530-TP  | 8  | 5   | 101-17902 | 10 | 44  | 109-02609 | 6  | 41  |       |    |     |
| SS-8660610-TP  | 8  | 15  | 101-17901 | 10 | 42  | 109-02757 | 14 | 4   |       |    |     |
| SS-8660620-SP  | 9  | 6   | 101-19008 | 10 | 47  | 109-03102 | 21 | 12  |       |    |     |
| SS-8660730-TP  | 8  | 0   | 101-19107 | 10 | 16  | 109-03409 | 6  | 39  |       |    |     |
| SS-8660810-TP  | 10 | 20  | 101-18206 | 10 | 16  | 109-03607 | 6  | 14  |       |    |     |
| SS-8680540-SP  | 4  | 4   | 101-18305 | 10 | 45  | 109-03905 | 6  | 46  |       |    |     |
| SS-8680730-SP  | 6  | 7   | 101-24204 | 12 | 12  | 109-03953 | 16 | 32  |       |    |     |
| SS-8681650-TP  | 4  | 5   | 101-26209 | 14 | 48  | 109-04050 | 22 | 1   |       |    |     |
| SS-8681650-TP  | 4  | 1A  | 101-26324 | 14 | 42  | 109-04167 | 21 | 1   |       |    |     |
| SS-90901010-SP | 6  | 49  | 101-26803 | 14 | 31  | 109-04266 | 21 | 2   |       |    |     |
| SS-9111010-SP  | 2  | 31  | 101-27603 | 16 | 39  | 109-04308 | 22 | 26  |       |    |     |
| SS-9111010-SP  | 8  | 47  | 101-27702 | 16 | 40  | 109-04407 | 22 | 5   |       |    |     |
| SS-9150113-SE  | 22 | 25  | 101-27801 | 16 | 37  | 109-04506 | 22 | 6   |       |    |     |
| SS-9161610-SP  | 6  | 6   | 101-28807 | 16 | 27  | 109-04605 | 22 | 23  |       |    |     |
|                |    |     | 101-29054 | 19 | 2   | 109-04704 | 22 | 24  |       |    |     |
| TA-0750704-R0  | 2  | 17  | 101-29500 | 2  | 35  | 109-04803 | 22 | 2   |       |    |     |
| TA-1050604-R0  | 16 | 36  | 101-44301 | 10 | 34  | 109-04902 | 22 | 3   |       |    |     |
| TA-1250404-R0  | 2  | 34  | 101-44350 | 10 | 32  | 109-05008 | 22 | 4   |       |    |     |
| TA-1250506-R0  | 2  | 9   | 101-45506 | 2  | 43  | 109-05107 | 22 | 28  |       |    |     |
| TA-1250506-R0  | 2  | 22  | 101-46207 | 2  | 37  | 109-05206 | 22 | 10  |       |    |     |
|                |    |     | 102-00301 | 2  | 18  | 109-05305 | 18 | 32  |       |    |     |
| WP-0320401-SC  | 24 | 45  | 102-01200 | 2  | 13  | 109-05404 | 16 | 21  |       |    |     |
| WP-0320501-SC  | 12 | 31  | 102-11400 | 10 | 5   | 170-06602 | 21 | 3   |       |    |     |
| WP-0371016-SP  | 8  | 39  | 102-11114 | 10 | 7   | 170-06701 | 21 | 19  |       |    |     |
| WP-0371026-SP  | 12 | 26  | 102-11209 | 10 | 2   | 170-06909 | 21 | 6   |       |    |     |
| WP-0450801-SP  | 16 | 19  | 102-11308 | 10 | 3   | 170-07006 | 21 | 5   |       |    |     |
| WP-0490456-SP  | 2  | 32  | 102-18653 | 14 | 1   | 170-07204 | 21 | 18  |       |    |     |
| WP-0490456-SP  | 10 | 40  | 102-16703 | 14 | 11  | 170-07303 | 21 | 16  |       |    |     |
| WP-0501016-SP  | 18 | 28  | 103-02008 | 2  | 20  | 170-07402 | 21 | 14  |       |    |     |
| WP-0501016-SP  | 16 | 14  | 103-02008 | 2  | 21  | 170-07501 | 21 | 4   |       |    |     |
| WP-0501016-SP  | 16 | 22  | 103-05001 | 4  | 10  | 170-07907 | 21 | 7   |       |    |     |
| WP-0520456-SP  | 18 | 23  | 103-05159 | 4  | 8   | 170-08004 | 21 | 15  |       |    |     |
| WP-0560360-SE  | 18 | 15  | 103-06009 | 4  | 29  | 170-08103 | 21 | 10  |       |    |     |
| WP-0621016-SP  | 16 | 20  | 103-06553 | 4  | 31  | 170-08653 | 21 | 20  |       |    |     |
| WP-0641600-SE  | 21 | 30  | 103-07056 | 4  | 19  | 170-08657 | 22 | 11  |       |    |     |
| WP-0671016-SE  | 22 | 20  | 103-09005 | 6  | 23  | 170-08756 | 21 | 21  |       |    |     |
| WP-0850002-SP  | 4  | 50  | 103-08203 | 6  | 20  | 170-08756 | 22 | 12  |       |    |     |
| WP-0871602-SE  | 22 | 9   | 103-08302 | 6  | 17  | 170-08905 | 21 | 26  |       |    |     |
| WP-0871602-SE  | 24 | 34  | 103-12759 | 10 | 29  | 170-08905 | 22 | 16  |       |    |     |
| WP-1052001-SC  | 24 | 15  | 103-15906 | 6  | 1   | 170-09002 | 21 | 39  |       |    |     |
| WP-1702600-SP  | 18 | 4   | 103-20109 | 12 | 3   | 170-09200 | 21 | 17  |       |    |     |
| WS-0310002-KN  | 12 | 30  | 103-21503 | 14 | 3   | 170-09309 | 21 | 35  |       |    |     |
| WS-0451040-KP  | 10 | 39  | 103-21607 | 14 | 17  | 170-09408 | 21 | 33  |       |    |     |
| WS-0521010-KN  | 18 | 17  | 103-22500 | 16 | 33  | 170-09507 | 21 | 24  |       |    |     |
| WS-0521010-KN  | 18 | 22  | 103-52805 | 8  | 20  | 170-09507 | 22 | 15  |       |    |     |
| WS-0610002-KN  | 21 | 22  | 103-53050 | 8  | 17  | 170-09606 | 21 | 31  |       |    |     |
| WS-0610002-KN  | 22 | 13  | 103-53064 | 8  | 23  | 170-09606 | 22 | 19  |       |    |     |
| WS-0610002-KP  | 21 | 29  | 103-53076 | 8  | 26  | 170-09705 | 21 | 34  |       |    |     |
| WS-0621210-KP  | 22 | 21  | 103-53506 | 8  | 19  | 170-09804 | 21 | 32  |       |    |     |
| WS-0861410-KR  | 21 | 8   | 103-53535 | 9  | 13  |           |    |     |       |    |     |
| WS-0861410-KR  | 22 | 8   | 103-53605 | 8  | 24  |           |    |     |       |    |     |
| WS-0861410-KR  | 24 | 10  | 103-54207 | 8  | 49  |           |    |     |       |    |     |
| WS-1002560-KR  | 19 | 9   | 103-54405 | 8  | 40  |           |    |     |       |    |     |
| WS-1020002-KN  | 24 | 16  | 103-54504 | 8  | 45  |           |    |     |       |    |     |
| WS-1643202-KR  | 14 | 24  | 109-00108 | 2  | 39  |           |    |     |       |    |     |
|                |    |     | 109-08157 | 2  | 34  |           |    |     |       |    |     |
| 100-59105      | 16 | 30  | 109-00297 | 2  | 33  |           |    |     |       |    |     |
| 101-90410      | 2  | 46  | 109-00306 | 6  | 37  |           |    |     |       |    |     |
| 101-03109      | 4  | 24  | 109-00404 | 6  | 32  |           |    |     |       |    |     |
| 101-03406      | 4  | 23  | 109-00504 | 12 | 23  |           |    |     |       |    |     |







**JUKI**  
TOKYO JUKI INDUSTRIAL CO., LTD.

  
**東京重機工業株式会社**

東京重機工業株式会社 東京重機工業株式会社