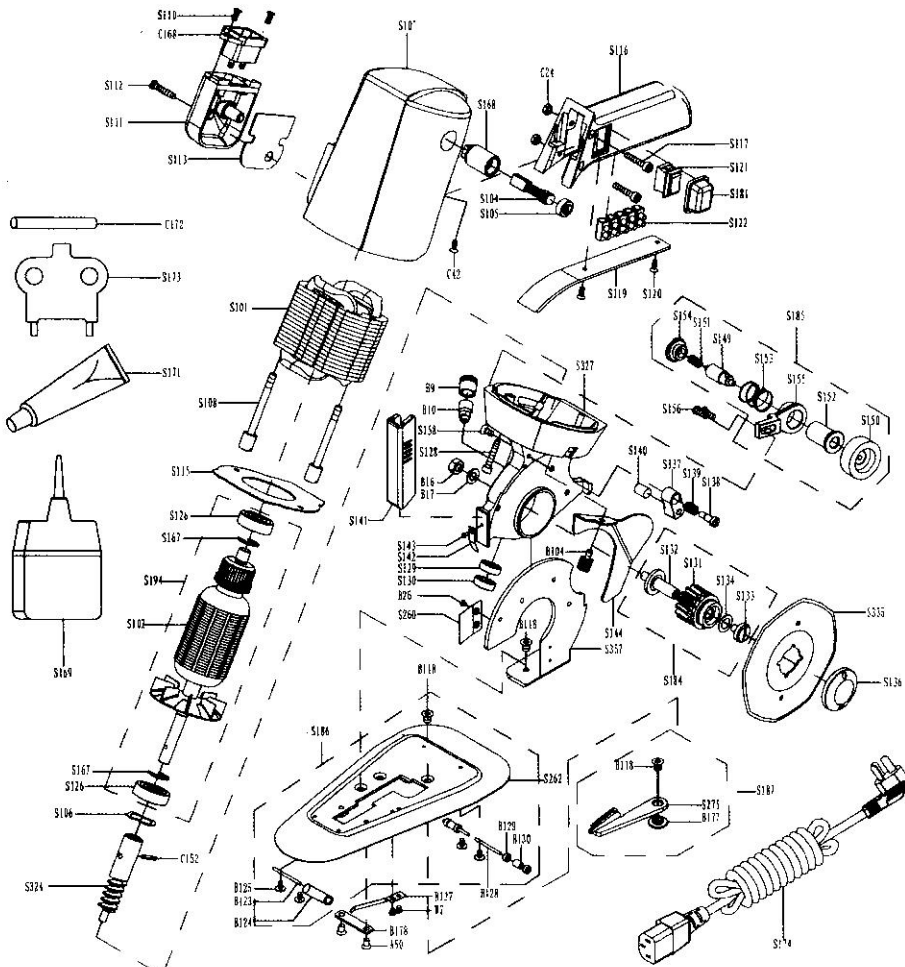


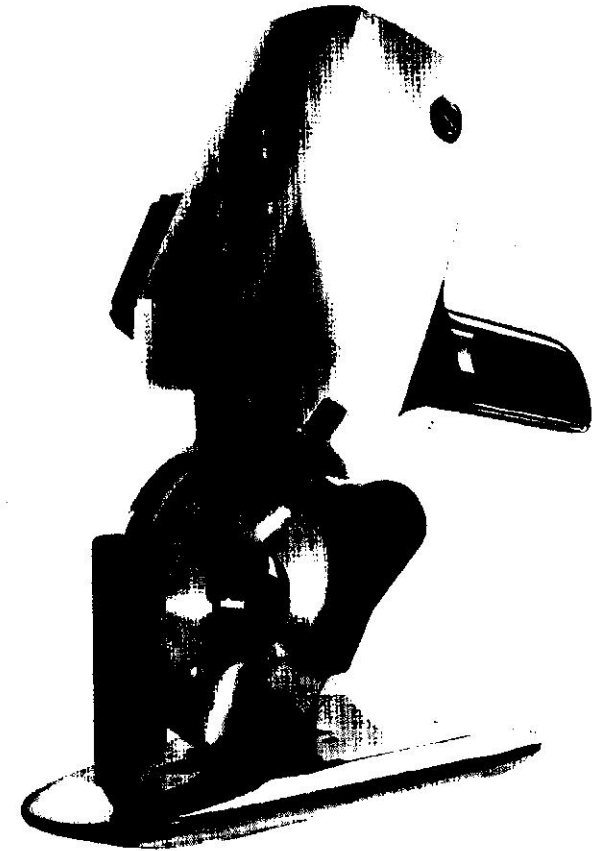
ROUND KNIFE CUTTER



110



- | | | |
|---------------------------------|---------------------------------|---|
| S101定子Stator | S132蜗轮Shaft Gear | S267底 盘Base Plate |
| S102转子Rotor | S133蜗轮轴螺絲Shaft Gear Screw | B123滚子轴 (前) Roller Shaft(Front) |
| S104碳刷Carbon Brush | S134蜗轮垫圈Ring For Gear | B128滚子轴 (后) Roller Shaft(Rear) |
| S105碳刷帽Cap For Carbon Brush | S335刀片 (八角) Knife | B125M3x5十一字带发兰螺絲Standard Screw |
| S106波浪形垫圈Wave Washer | S136刀片锁紧螺母Nut | S167形Φ10轴用挡圈Shaft Ring |
| S107电机盖Motor Cover | S137刀片加油器Knife Oiler | S168碳刷副套组件Carbon Brush Socket Assembly |
| S108定子螺絲Screw For Stator | S138加油器螺絲Screw For Oiler | S169加油器Oiler |
| C168插座Terminal | S139加油器弹簧Spring For Oiler | C172轴销Lock Shaft |
| S110M3x10十字沉头自攻螺絲Standard Screw | S140油毡Oil Felt | S171润滑油Grease |
| S111插座盖Terminal Plate | S141刀片护架Knife Guard | S173扳手Wrench |
| S112M4x21十字圆头螺絲Standard Screw | S142护架弹簧片Spring For Guard | S174电源线Code Complete With Earth |
| S113插座盖垫片Terminal Plate Washer | S143M2x3十字沉头螺絲Standard Screw | S275下刀Lower Knife |
| S115空气导向片Air Guide | S144安全片Safety A Plate | B177下刀螺母Nut |
| S116手柄Drive Handle | B104安全片螺釘Screw For Plate | B127下刀弹片Reassure Spring For Lower Blade |
| S117M4x20内六角螺絲Standard Screw | B10润滑油杯Grease Cup | W7M3x3十一字圆头螺絲Standard Screw |
| G24M4x3 2螺帽Nut | B9油杯帽Cap For Grease Cup | B124底盖前滚子Front Roller |
| S119手柄盖Cover For Handle | S149砂轮轴Grinder Shaft | S181开关盖Switch Cap |
| S120M3x12十字沉头自攻螺絲Standard Screw | S150砂轮Emery Wheel | B16M4x5 2螺帽Nut |
| S121开关Switch | S151砂轮内轴滚簧Grinder Spring | B17Φ12xΦ6 4x1 6平垫Washer |
| S122接线柱Connecting Terminal | S152砂轮外轴Grinder Collar | S184蜗轮成器Worm Wheel Assembly |
| G42M4x8十字圆头螺絲Standard Screw | S153砂轮外轴弹簧Spring For Collar | S185砂轮成器Grind Assembly |
| S324蜗杆Drive Gear | S154砂轮按钮Sharpening Switch | S186底盖组件Base Plate Assembly |
| C152Φ2.5x14开口销Roll Pin | S155砂轮手臂Grinder Arm | S187下刀成器Lower Knife Assembly |
| S126轴承629Bearing | S156M4x12十一字半圆头螺絲Standard Screw | B129底盖滚子Roller |
| S327齿轮盒Gear Box | S357导向架Standard | B130滚子隔套Roller Collar |
| S128M4x25内六角螺絲Standard Screw | S158M4x8十字沉头螺絲Standard Screw | B178下刀支撐块Lower Knife Holder |
| S129轴承629Drive Gear Metal | B118M5x6 3内六角沉头螺絲Standard Screw | A50M3x6十字沉头螺絲Standard Screw |
| S130轴承盖Cover For Metal | S260分布片Guide Plate | S194转子成器组件Rotor Assembly |
| S131蜗轮Worm Wheel | B26M2 5x3十字沉头螺絲Standard Screw | |



INDUSTRIAL CUTTING MACHINE