

MODEL : DDL-900B

List No : 1701-02

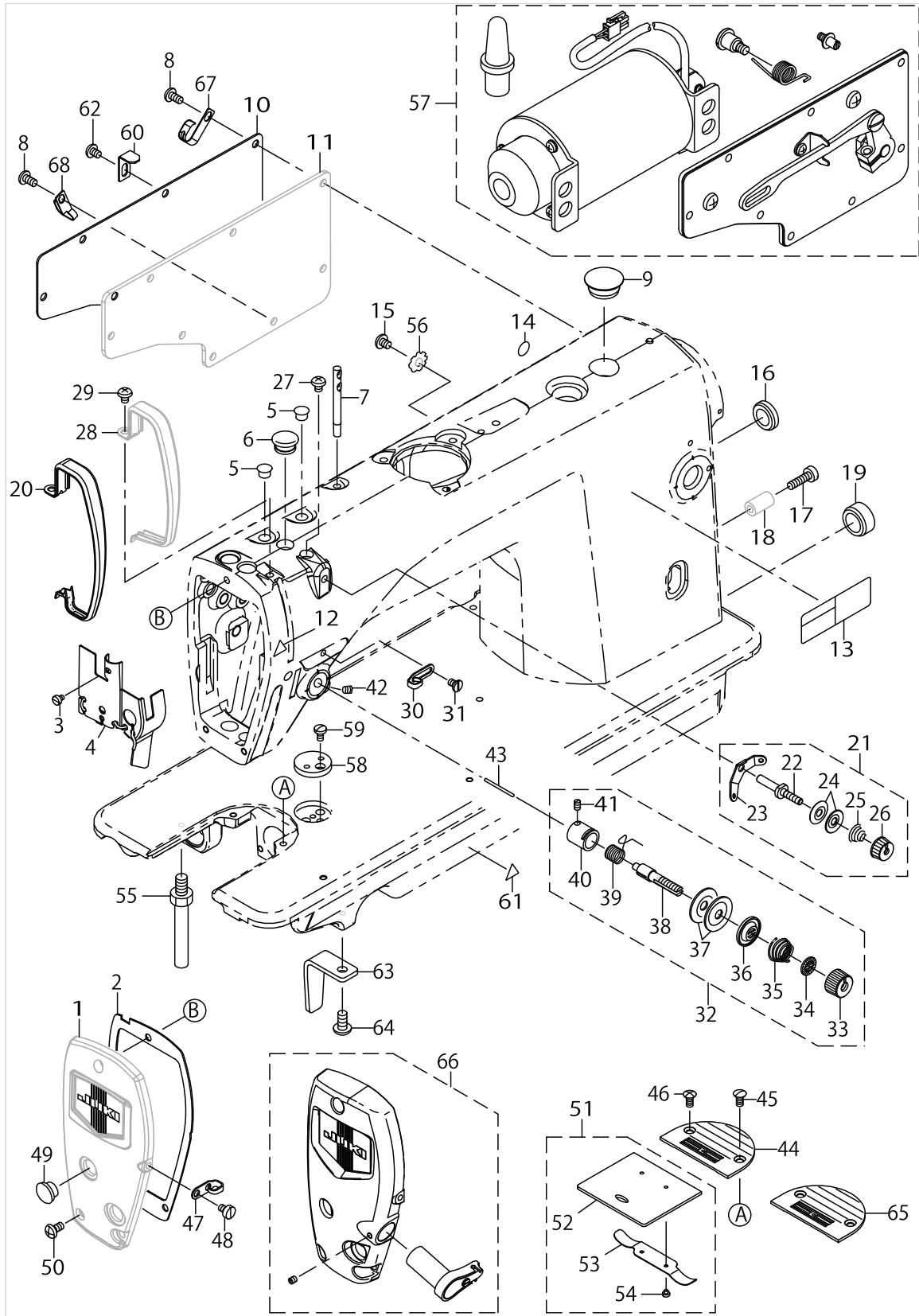
PARTS LIST

Published:09/10/2017

CONTENTS

| | |
|---|----|
| FRAME & MISCELLANEOUS COVER COMPONENTS | 1 |
| BOBBIN WINDER COMPONENTS | 5 |
| MAIN SHAFT & THREAD TAKE-UP LEVER COMPONENTS | 7 |
| NEEDLE BAR, UPRIGHT SHAFT & HOOK DRIVING SHAFT COMPONENTS | 9 |
| HAND LIFTER COMPONENTS | 13 |
| FEED MECHANISM COMPONENTS | 17 |
| THREAD TRIMMER COMPONENTS | 21 |
| AUTOMATIC REVERSE FEED COMPONENTS | 23 |
| WIPER COMPONENTS (WB) | 25 |
| OIL LUBRICATION COMPONENTS | 27 |
| UNDER COVER COMPONENTS | 31 |
| PSC UNIT | 33 |
| THREAD STAND COMPONENTS | 37 |
| ACCESSORIE PARTS COMPONENTS | 39 |
| EXCLUSIVE PARTS FOR H | 41 |
| EXCLUSIVE PARTS TYPE NB | 43 |
| LIST FOR INFORMATION OF CHANGE | 45 |
| HOW TO MAKE USE OF THIS PARTS LIST | |

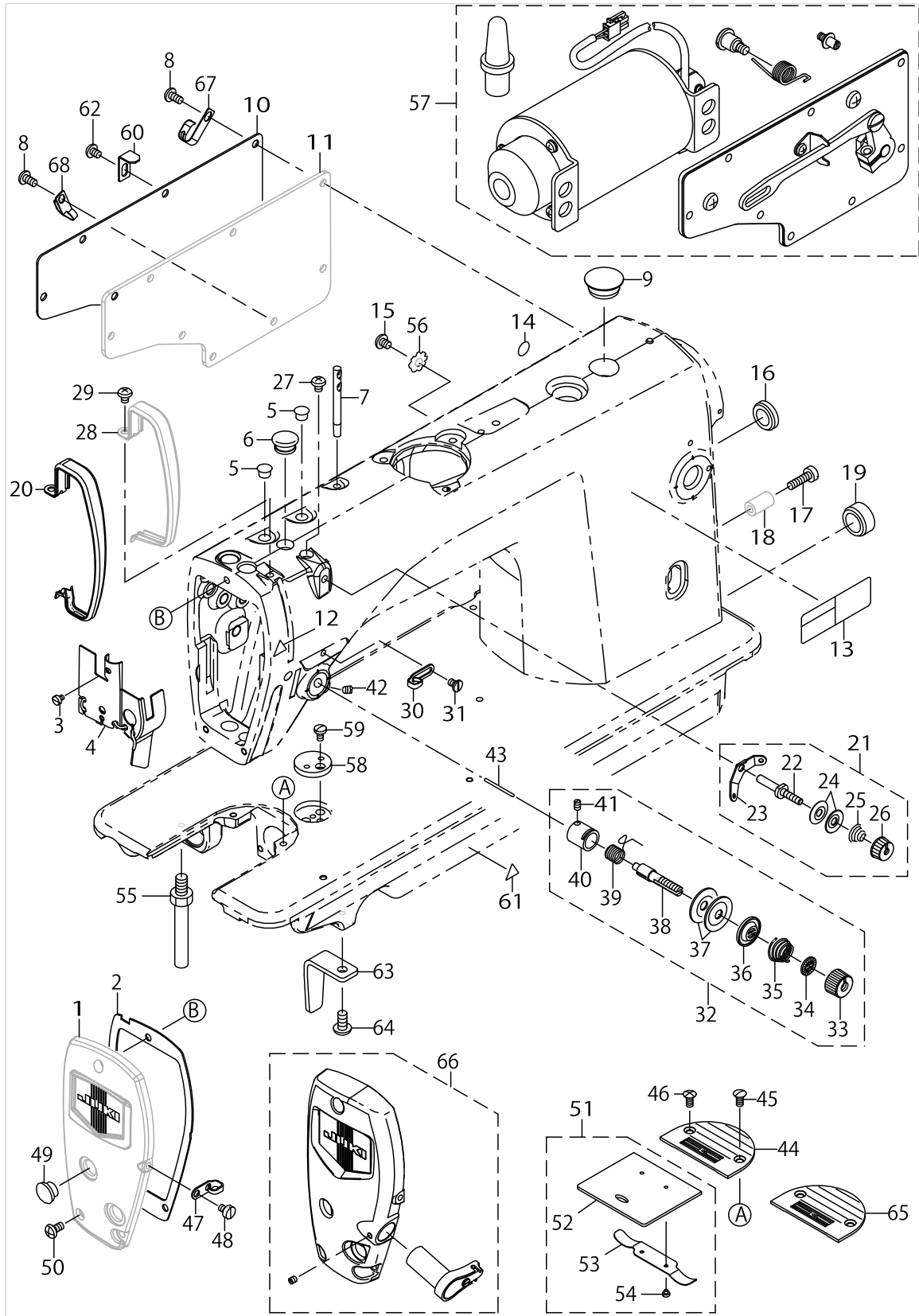
FRAME & MISCELLANEOUS COVER COMPONENTS



FRAME & MISCELLANEOUS COVER COMPONENTS

| No. | Parts No. | Parts name | Remarks | Level | Cons | Qty |
|-----|-------------|----------------------------------|-------------------------------|-------|------|-----|
| 1 | 40102097 | FACE_PLATE_ASM. | | | | 1 |
| 2 | 40012126 | FACE PLATE PACKING | | | | 1 |
| 3 | SS6080410SP | SCREW 1/8-44 L=4 | | | | 1 |
| 4 | 40156677 | ARM OIL SHIELD ASSY | | | | 1 |
| 5 | TA0850604R0 | RUBBER PLUG | | | | 2 |
| 6 | TA1250705R0 | RUBBER PLUG | | | | 1 |
| 7 | 22958300 | NEEDLE THREAD GUIDE PIN | | | | 1 |
| 8 | SS4120925SP | SCREW 3/16-28 L=9 | | | | 8 |
| 9 | TA2100904R0 | RUBBER PLUG | | | | 1 |
| 10 | 22900401 | WINDOW PLATE | | | | 1 |
| 11 | 40012129 | SIDE PLATE PACKING | | | | 1 |
| 12 | CM300200001 | FINGER INJURY CAUTION LABLE (16) | | | | 2 |
| 13 | 40102261 | SAFETY_LABEL_S | | | | 1 |
| 14 | 22901805 | GROUND MARK | | | | 1 |
| 15 | SS4120615SP | SCREW 3/16-28 L=6 | | | | 1 |
| 16 | TA2000502R0 | RUBBER PLUG | | | | 1 |
| 17 | SS6121840SP | SCREW 3/16-28 L=18 | | | | 1 |
| 18 | 22952501 | BACK LEVER STOPPER | | | | 1 |
| 19 | TA2101002R0 | RUBBER PLUG | | | | 1 |
| 20 | 11415205 | THREAD TAKE-UP LEVER COVER(JE) | VARIOUS NOS. FOR DESTINATIONS | | | 1 |
| 21 | 22945463 | THREAD TENSION ASM. NO.1 | | | | 1 |
| 22 | 22945414 | THREAD TENSION POST | | * | | 1 |
| 23 | 22945604 | THREAD TENSION GUIDE | | * | | 1 |
| 24 | 22945802 | THREAD TENSION DISK | | * | | 2 |
| 25 | 22945505 | THREAD TENSION SPRING | | * | | 1 |
| 26 | 22945703 | THREAD TENSION NUT | | * | | 1 |
| 27 | SS4120615SP | SCREW 3/16-28 L=6 | | | | 1 |
| 28 | 22900609 | THREAD TAKE-UP LEVER COVER | VARIOUS NOS. FOR DESTINATIONS | | | 1 |
| 29 | SS4120615SP | SCREW 3/16-28 L=6 | | | | 1 |
| 30 | 22920508 | ARM THREAD GUIDE A | | | | 1 |
| 31 | 22921001 | SCREW | | | | 1 |
| 32 | 22945356 | THREAD TENSION ASM. | | | | 1 |
| 33 | 22921308 | THREAD TENSION NUT | | * | | 1 |
| 34 | 22921407 | ROTATION STOPPER | | * | | 1 |
| 35 | 22921704 | THREAD TENSION SPRING A | | * | | 1 |
| 36 | 22921803 | DISK STOPPER | | * | | 1 |
| 37 | 22921506 | THREAD TENSION DISK | | * | | 2 |
| 38 | 22921209 | THREAD TENSION POST | | * | | 1 |
| 39 | 22921605 | THREAD TAKE-UP SPRING | | * | ☆ | 1 |
| 40 | 22945307 | THREAD TENSION POST BASE | | * | | 1 |
| 41 | SS8090670SP | SCREW 9/64-40 L=5.5 | | * | | 1 |
| 42 | SS8150710TP | SCREW 15/64-28 L=7 | | | | 1 |
| 43 | 22920904 | TENSION RELEASING | | | | 1 |
| 44 | B1109552000 | THROAT PLATE | | | | 1 |
| 45 | SS2110920TP | SCREW 11/64-40 L=8.5 | | | | 1 |
| 46 | SS2110915SP | SCREW 11/64-40 L=8.5 | | | | 1 |

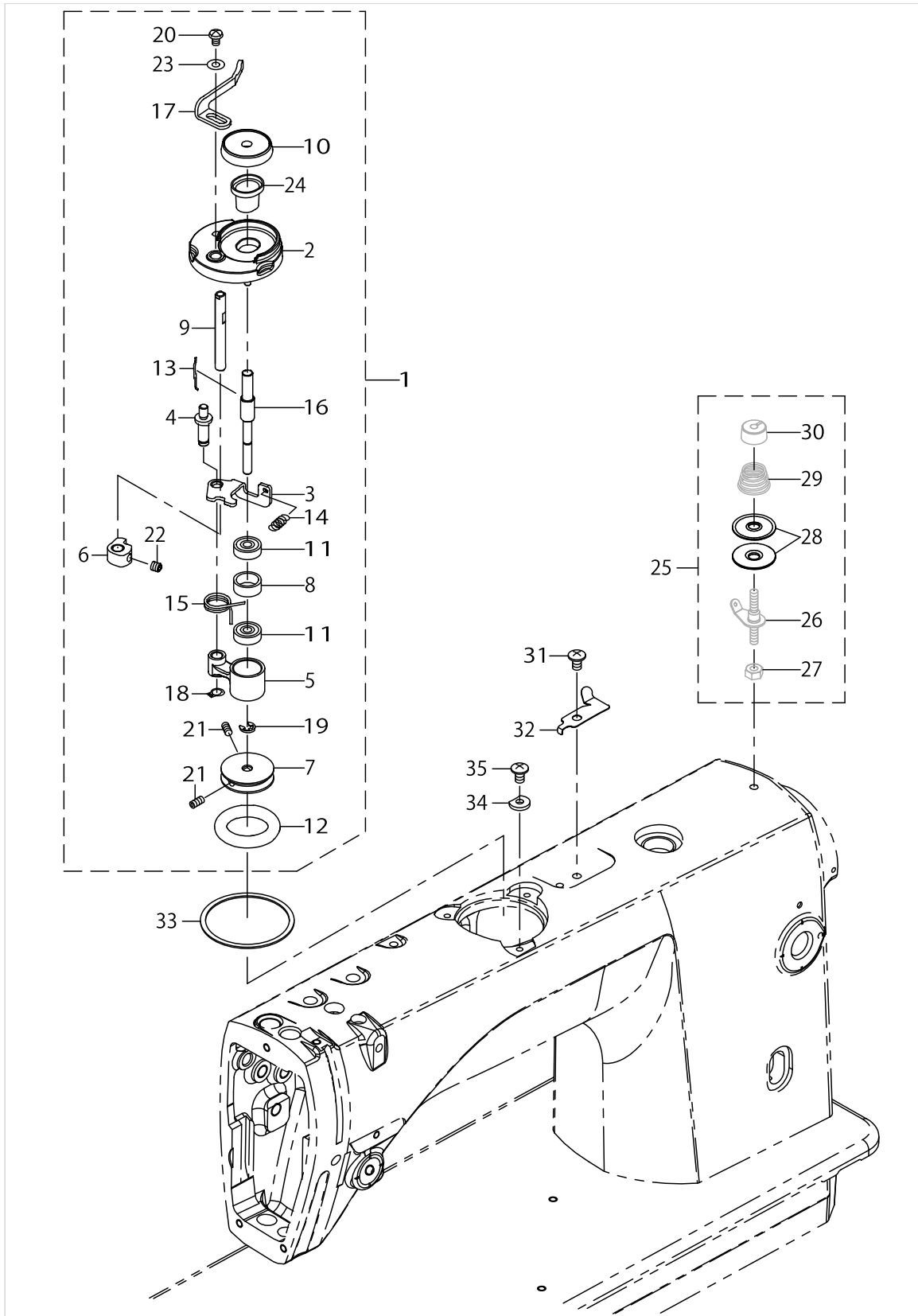
FRAME & MISCELLANEOUS COVER COMPONENTS



FRAME & MISCELLANEOUS COVER COMPONENTS

| No. | Parts No. | Parts name | Remarks | Level | Cons | Qty |
|-----|-------------|----------------------------------|----------------|-------|------|-----|
| 47 | 22920607 | ARM THREAD GUIDE B | | | | 1 |
| 48 | SS6110610TP | SCREW 11/64-40 L=6 | | | | 1 |
| 49 | TA1250406R0 | RUBBER PLUG D=12.5 L=4 | | | | 2 |
| 50 | SS4120925SP | SCREW 3/16-28 L=9 | | | | 3 |
| 51 | 22901250 | SLIDE PLATE ASM. | | | | 1 |
| 52 | 22901201 | SLIDE PLATE | | * | | 1 |
| 53 | 22901300 | SLIDE PLATE SPRING | | * | | 1 |
| 54 | SS6060210SP | SCREW 3/32-56 L=1.9 | | * | | 2 |
| 55 | 22901003 | BED SCREW STUD | | | | 3 |
| 56 | WT0530002KS | TOOTHED WASHER D=5.3 | | | | 1 |
| 57 | 40188851 | AK85B_DEVICE_900B | OPTIONAL PARTS | | | 1 |
| 58 | 40099083 | RULER STOP SEAT | | | | 1 |
| 59 | SS7110720SP | SCREW 11/64-40 L=7 | | | | 2 |
| 60 | 40126308 | CORD_CLAMP | | | | 1 |
| 61 | CM300200001 | FINGER INJURY CAUTION LABLE (16) | | | | 1 |
| 62 | SS4120615SP | SCREW 3/16-28 L=6 | | | | 1 |
| 63 | 40132099 | BED_STD_R | | | | 1 |
| 64 | SS4151215SP | SCREW 15/64-28 L=12 | | | | 1 |
| 65 | 40182291 | THROAT_PLATE_G | OPTIONAL PARTS | | | 1 |
| 66 | 40140080 | FACE_PLATE_ASSY | OPTIONAL PARTS | | | 1 |
| 67 | 40136258 | CORD HOLDER | | | | 1 |
| 68 | 40022407 | CORD HOLDER | | | | 1 |

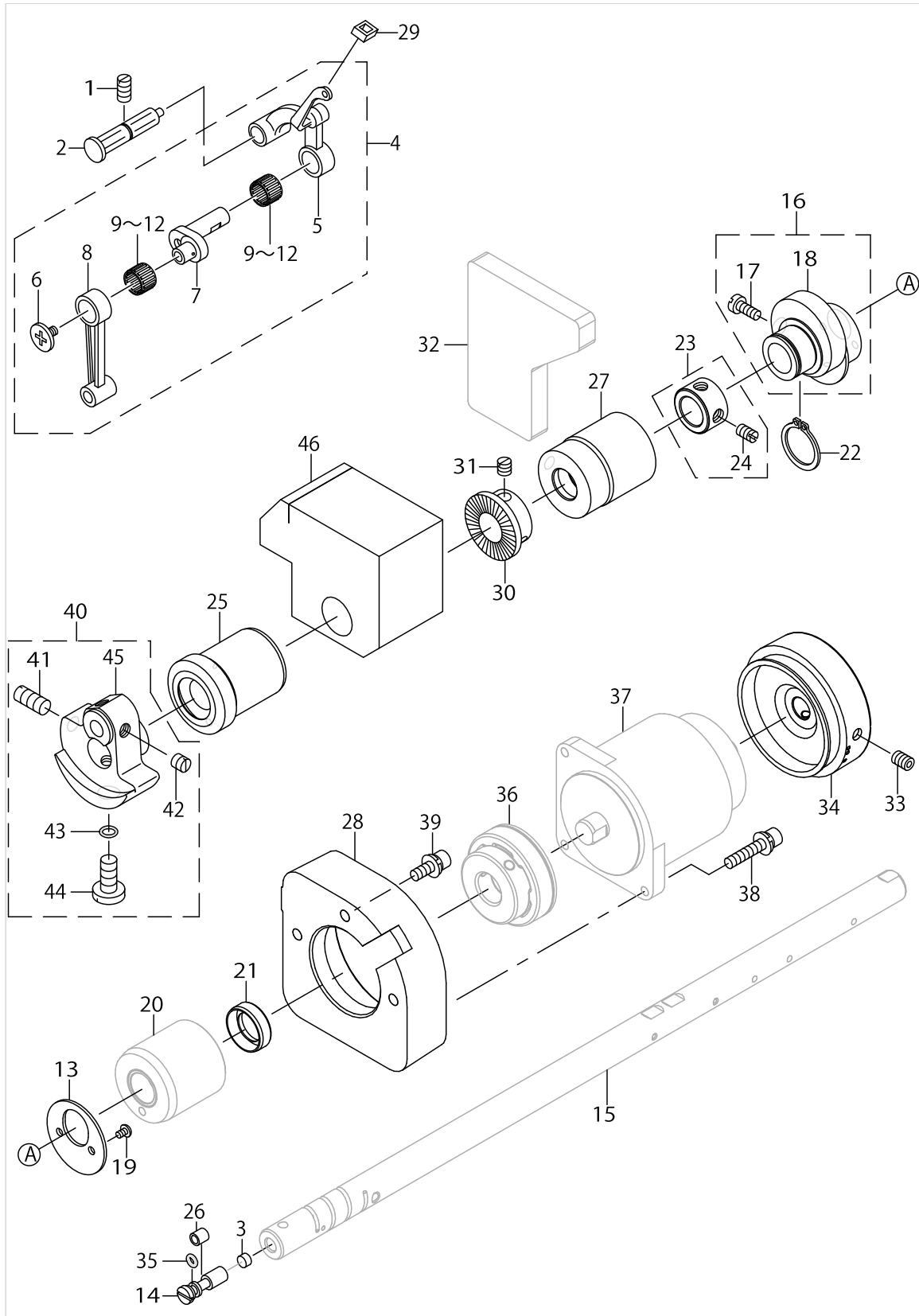
BOBBIN WINDER COMPONENTS



BOBBIN WINDER COMPONENTS

| No. | Parts No. | Parts name | Remarks | Level | Cons | Qty |
|-----|-------------|----------------------------|---------|-------|------|-----|
| 1 | 40110976 | BOBBIN_WINDER_UNIT | | | | 1 |
| 2 | 26260109 | BTW_BASE | | * | | 1 |
| 3 | 26260208 | BTW_CAM_PLATE | | * | | 1 |
| 4 | 26260307 | BTW_BASE_SHAFT | | * | | 1 |
| 5 | 26260406 | BTW_SHAFT_BASE | | * | | 1 |
| 6 | 26260505 | BTW_CAM_LEVER | | * | | 1 |
| 7 | 26260604 | BTW_WHEEL | | * | | 1 |
| 8 | 26260802 | BTW_BEARING_SPACER | | * | | 1 |
| 9 | 26261008 | BTW_LEVER_SHAFT | | * | | 1 |
| 10 | 26261206 | BTW_SPACER | | * | | 1 |
| 11 | 26261305 | BTW_BEARING | | * | | 2 |
| 12 | 26261503 | BTW_WHEEL_RUBBER | | * | ☆ | 1 |
| 13 | 26261602 | BOBBIN_SPRING | | * | ☆ | 1 |
| 14 | 26261701 | BTW_SPRING | | * | | 1 |
| 15 | 40011144 | BTW_TORSION_SPRING | | * | | 1 |
| 16 | 40110975 | BTW_SHAFT | | * | | 1 |
| 17 | 40021933 | BTW_LEVER | | * | | 1 |
| 18 | RC0560711KP | RETAINING RING | | * | | 1 |
| 19 | RE0400000K0 | E-RING 4 | | * | | 1 |
| 20 | SM5040655SN | SCREW | | * | | 1 |
| 21 | SM8040802TP | SCREW M4X8 | | * | | 2 |
| 22 | SM8050502TP | SCREW M5 L=5 | | * | | 1 |
| 23 | WP0450826SC | WASHER 4.5X10X0.8 | | * | | 1 |
| 24 | 40119475 | OIL_GUARD | | * | | 1 |
| 25 | 40110731 | BOBBIN_THREAD_TENSION_ASSY | | | | 1 |
| 26 | 40110734 | BOBBIN_THREAD_ROD_ASSY | | * | | 1 |
| 27 | NS6120630SP | NUT 3/16-28 | | * | | 1 |
| 28 | 22921506 | THREAD TENSION DISK | | * | | 2 |
| 29 | D7133555B00 | CONNECTING ROD SPRING | | * | | 1 |
| 30 | 22945703 | THREAD TENSION NUT | | * | | 1 |
| 31 | SM0050801SC | SCREW | | | | 1 |
| 32 | 40037008 | THREAD_CUTTER | | | | 1 |
| 33 | 40163521 | PACKING | | | | 1 |
| 34 | 40113241 | BTW SPACER | | | | 1 |
| 35 | SM0050801SC | SCREW | | | | 3 |

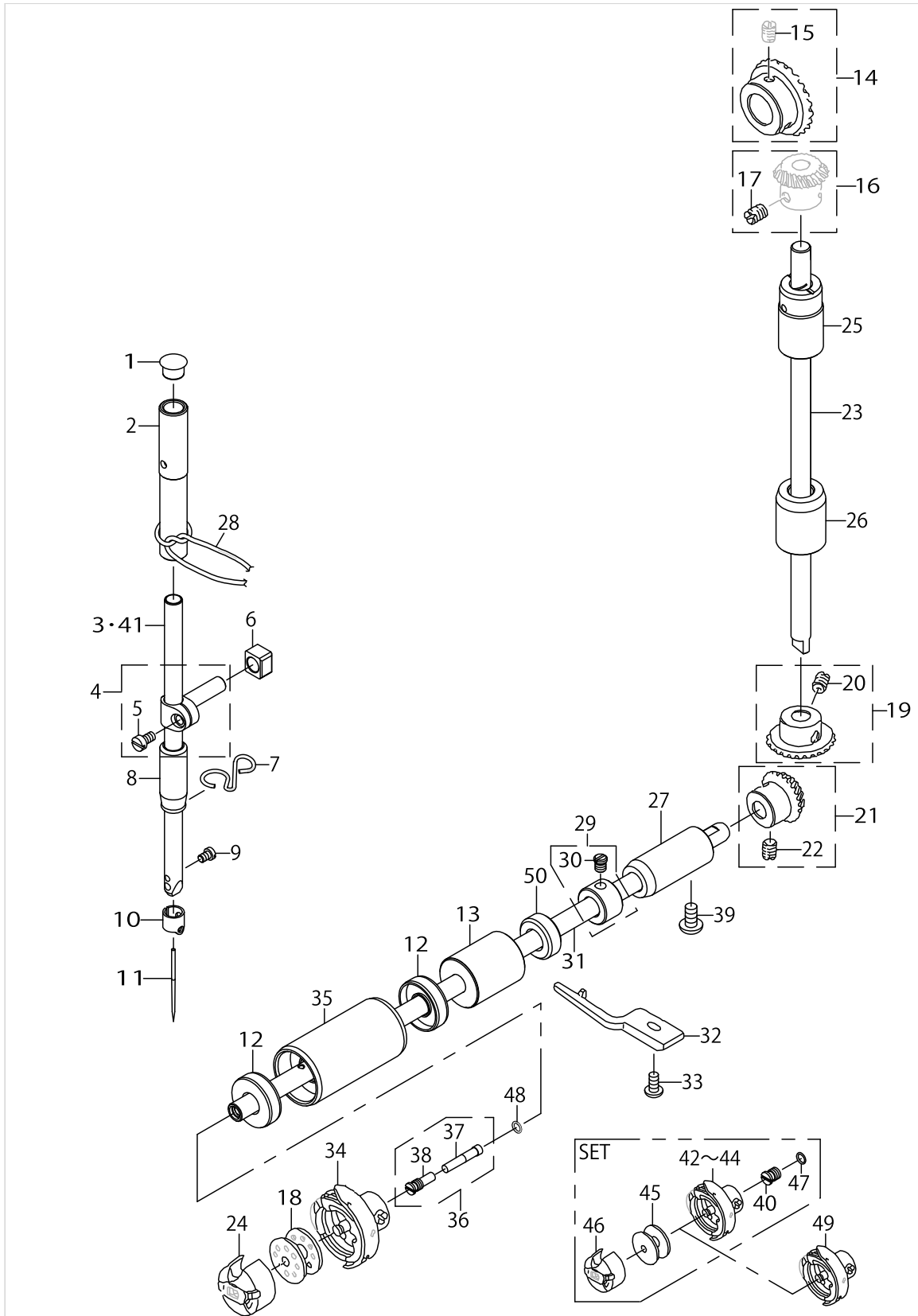
MAIN SHAFT & THREAD TAKE-UP LEVER COMPONENTS



MAIN SHAFT & THREAD TAKE-UP LEVER COMPONENTS

| No. | Parts No. | Parts name | Remarks | Level | Cons | Qty |
|-----|-------------|---------------------------------|-----------------|-------|------|-----|
| 1 | SS8151150TP | SCREW 15/64-28 L=10.5 | | | | 1 |
| 2 | 22919559 | THREAD TAKE-UP CRANK SHAFT ASM. | | | | 1 |
| 3 | 11002904 | ROLLER FELT | | | | 1 |
| 4 | 22918072 | THREAD TAKE-UP LEVER COMPL. | | | | 1 |
| 5 | 22918064 | THREAD TAKE-UP LEVER ASM. | | * | | 1 |
| 6 | 22918304 | LEFT SCREW | | * | | 1 |
| 7 | 22918106 | NEEDLE BAR CRANK | | * | | 1 |
| 8 | 22906606 | NEEDLE BAR CRANK ROD | | * | | 1 |
| 9 | 22918403 | NEEDLE BEARING A | SELECTIVE PARTS | * | | 2 |
| 10 | 22918502 | NEEDLE BEARING B | SELECTIVE PARTS | * | | 2 |
| 11 | 22918601 | NEEDLE BEARING C | SELECTIVE PARTS | * | | 2 |
| 12 | 22918700 | NEEDLE BEARING D | SELECTIVE PARTS | * | | 2 |
| 13 | 22910103 | THRUST COLLAR | | | | 1 |
| 14 | 22903900 | ADJUSTING PIN | | | | 1 |
| 15 | 40110977 | MAIN_SHAFT | | | | 1 |
| 16 | 22910053 | FEED DRIVE ECCENTRIC CAM ASM. | | | | 1 |
| 17 | SS6661110SP | SCREW 1/4-40 L=11 | | * | | 2 |
| 18 | 22910004 | FEED DRIVE ECCENTRIC CAM | | * | | 1 |
| 19 | SS4090615SP | SCREW 9/64-40 L=6 | | | | 2 |
| 20 | 40110978 | MAIN_SHAFT_BUSHING | | | | 1 |
| 21 | 40086740 | OIL SEAL | | | | 1 |
| 22 | RC1850001KP | SNAP RING 18.5 | | | | 1 |
| 23 | 40137504 | THRUST_COLLAR_ASM | | | | 1 |
| 24 | SS8660610TP | SCREW 1/4-40 L=6 | | * | | 2 |
| 25 | 22903207 | MAIN SHAFT BUSHING FRONT | | | | 1 |
| 26 | B1215552000 | OIL ADJUSTING COLLAR | | | | 1 |
| 27 | 22903306 | BUSHING INTERMEDIATE | | | | 1 |
| 28 | 40110979 | MAIN_MOTOR_BASE_76 | | | | 1 |
| 29 | 22919203 | OIL PROTECTING RUBBER | | | | 1 |
| 30 | 22538805 | DRIVING WHEEL | | | | 1 |
| 31 | SS8660610TP | SCREW 1/4-40 L=6 | | | | 2 |
| 32 | 40111424 | FILTER | | | | 1 |
| 33 | SM80608A2TP | SCREW M6 L=8 | | | | 2 |
| 34 | 40111872 | HAND_PULLEY | | | | 1 |
| 35 | RO029180100 | RUBBER RING | | | | 1 |
| 36 | 40111025 | COUPLING_ASM. | | | | 1 |
| 37 | 40140419 | SERVO MOTOR | | | | 1 |
| 38 | SL6052592TN | BOLT | | | | 3 |
| 39 | SL6051492TN | BOLT | | | | 3 |
| 40 | 40110390 | COUNTER_WEIGHT_ASM. | | | | 1 |
| 41 | SS8681650TP | SCREW 9/32-28 L=16 | | * | | 1 |
| 42 | SS8660610TP | SCREW 1/4-40 L=6 | | * | | 2 |
| 43 | RO044240100 | RUBBER RING | | * | | 1 |
| 44 | SS7681650TP | SCREW 9/32-28 L=16 | | * | | 1 |
| 45 | 40110376 | COUNTER_WEIGHT | | * | | 1 |
| 46 | 40156681 | FILTER | | | | 1 |

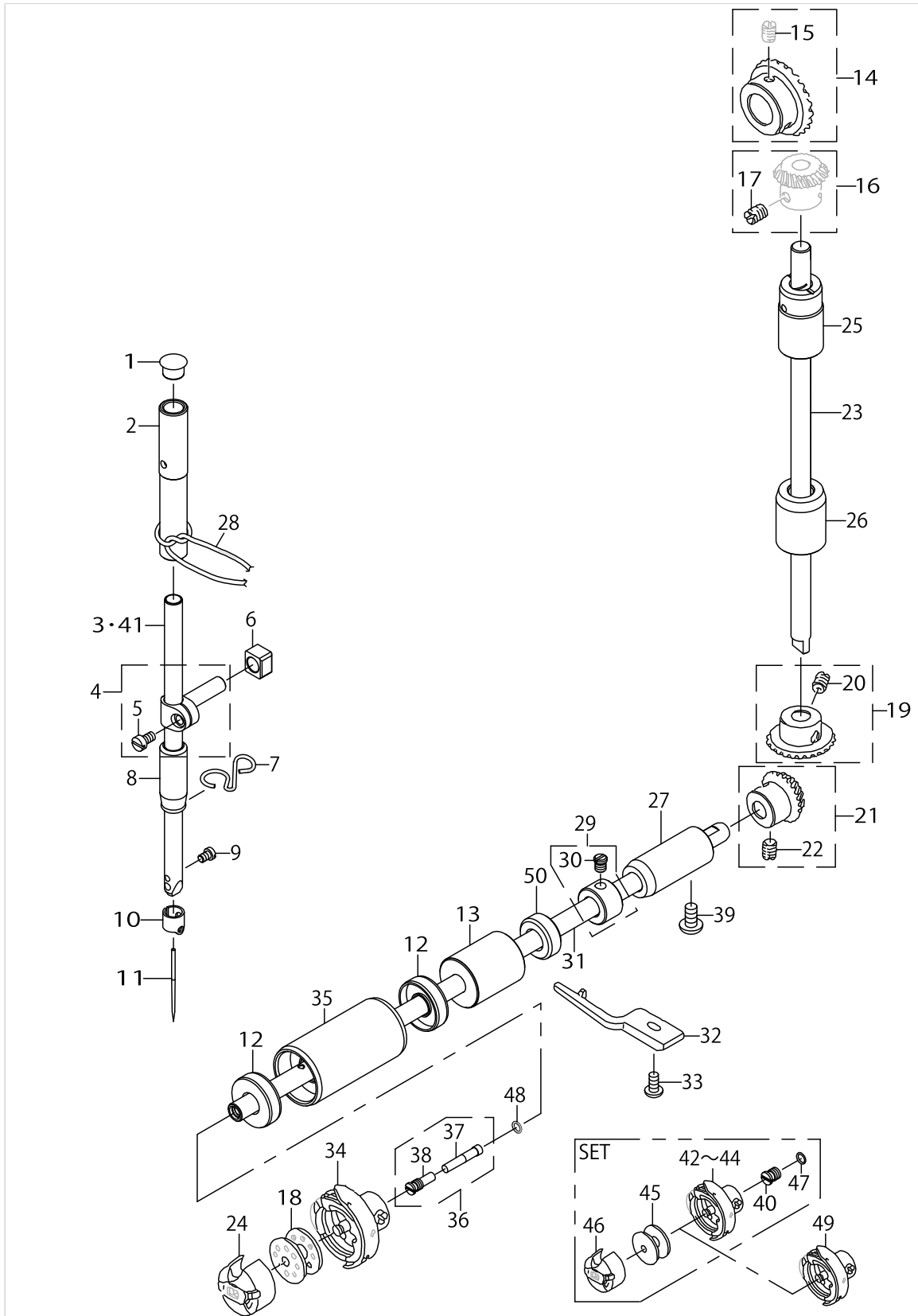
NEEDLE BAR, UPRIGHT SHAFT & HOOK DRIVING SHAFT COMPONENTS



NEEDLE BAR, UPRIGHT SHAFT & HOOK DRIVING SHAFT COMPONENTS

| No. | Parts No. | Parts name | Remarks | Level | Cons | Qty |
|-----|-------------|------------------------------|---------------------------|-------|------|-----|
| 1 | TA0850604R0 | RUBBER PLUG | | | | 1 |
| 2 | 22906101 | NEEDLE BAR BUSHING UPPER | | | | 1 |
| 3 | 22939508 | NEEDLE BAR | | | | 1 |
| 4 | 22906457 | NEEDLE BAR HOLDER ASM. | | | | 1 |
| 5 | SS6090670TP | SCREW 9/64-40 L=6 | | * | | 1 |
| 6 | 40090058 | SLIDE BLOCK | | | | 1 |
| 7 | 40141523 | NEEDLE BAR THREAD GUIDE P | | | | 1 |
| 8 | 22906200 | NEEDLE BAR BUSHING LOWER | | | | 1 |
| 9 | SS7080510TP | SCREW 1/8-44 L=4.5 | | | ☆ | 1 |
| 10 | 22906309 | NEEDLE BAR THREAD GUIDE | | | | 1 |
| 11 | MDB100B1400 | NEEDLE DBX1 #14 | | | ☆ | 1 |
| 12 | 23620206 | OIL SEAL | | | | 2 |
| 13 | 40184540 | HOOK_SHAFT_MIDDLE_METAL | | | | 1 |
| 14 | 40090002 | UPPER LARGE BEVEL GEAR ASM. | | | | 1 |
| 15 | SS8660810TP | SCREW 1/4-40 L=8 | | * | | 2 |
| 16 | 40090003 | UPPER SMALL BEVEL GEAR ASM. | | | | 1 |
| 17 | SS8660810TP | SCREW 1/4-40 L=8 | | * | | 2 |
| 18 | 22932909 | BOBBIN | | | ☆ | 1 |
| 19 | 40090004 | LOWER LARGE BEVEL GEAR ASM. | | | | 1 |
| 20 | SS8660810TP | SCREW 1/4-40 L=8 | | * | | 2 |
| 21 | 40090005 | LOWER SMALL BEVEL GEAR ASM. | | | | 1 |
| 22 | SS8660810TP | SCREW 1/4-40 L=8 | | * | | 2 |
| 23 | 22905004 | UPRIGHT SHAFT | | | | 1 |
| 24 | 11038759 | BOBBIN CASE ASM. | | | ☆ | 1 |
| 25 | 22905103 | UPRIGHT SHAFT BUSHING UPPER | | | | 1 |
| 26 | 22905202 | UPRIGHT SHAFT BUSHING LOWER | | | | 1 |
| 27 | 22916308 | HOOK DRIVING SHAFT BUSH REAR | | | | 1 |
| 28 | CQ220000000 | OUL WICK | | | | 0.3 |
| 29 | 22917157 | THRUST COLLAR ASM. REAR | | | | 1 |
| 30 | SS6110420TP | SCREW 11/64-40 L=4.8 | | * | | 2 |
| 31 | 40127192 | HOOK_DRIVING_SHAFT | | | | 1 |
| 32 | 40174351 | INNER_HOOK_HOLDER | | | | 1 |
| 33 | SS6111210SP | SCREW 11/64-40 L=12 | | | | 1 |
| 34 | 11038650 | HOOK ASM. | | | ☆ | 1 |
| 35 | 40184538 | HOOK_SHAFT_FRONT_METAL_ASM | | | | 1 |
| 36 | 22916555 | OIL SEAL SCREW ASM. | | | ☆ | 1 |
| 37 | 11015906 | OIL WICK | | * | | 1 |
| 38 | 22916506 | SET SCREW | | * | | 1 |
| 39 | SS4120925SP | SCREW 3/16-28 L=9 | | | | 1 |
| 40 | 11079506 | FRONT SCREW | OPTIONAL PARTS | | | 1 |
| 41 | 22939607 | NEEDLE BAR B | ACCORDING TO DESTINATIONS | | | 1 |
| 42 | 22890404 | RP HOOK C | OPTIONAL PARTS | | ☆ | 1 |
| 43 | 22890206 | RP HOOK | OPTIONAL PARTS | | ☆ | 1 |
| 44 | 22890305 | RP HOOK S | OPTIONAL PARTS | | ☆ | 1 |
| 45 | B9117552A00 | BOBBIN | OPTIONAL PARTS | | ☆ | 1 |
| 46 | 22896252 | BOBBIN CASE ASM. | OPTIONAL PARTS | | ☆ | 1 |

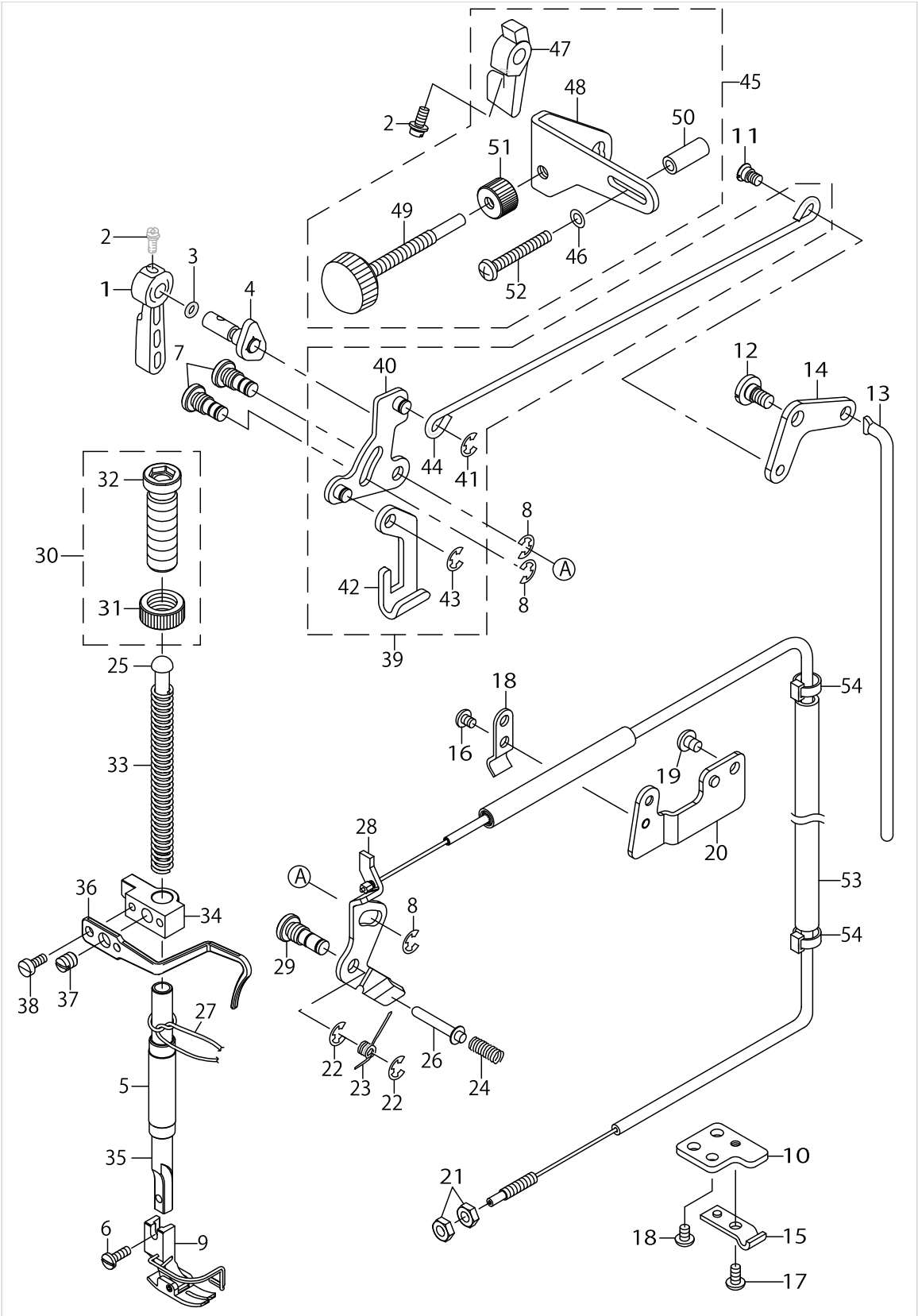
NEEDLE BAR, UPRIGHT SHAFT & HOOK DRIVING SHAFT COMPONENTS



NEEDLE BAR, UPRIGHT SHAFT & HOOK DRIVING SHAFT COMPONENTS

| No. | Parts No. | Parts name | Remarks | Level | Cons | Qty |
|-----|-------------|-----------------------------|----------------|-------|------|-----|
| 47 | RO036080200 | RUBBER RING | OPTIONAL PARTS | | | 1 |
| 48 | RO036080200 | RUBBER RING | | | | 1 |
| 49 | 40126849 | HOOK ASM. | OPTIONAL PARTS | | | 1 |
| 50 | 22890008 | HOOK DRIVING SHAFT OIL SEAL | | | | 1 |

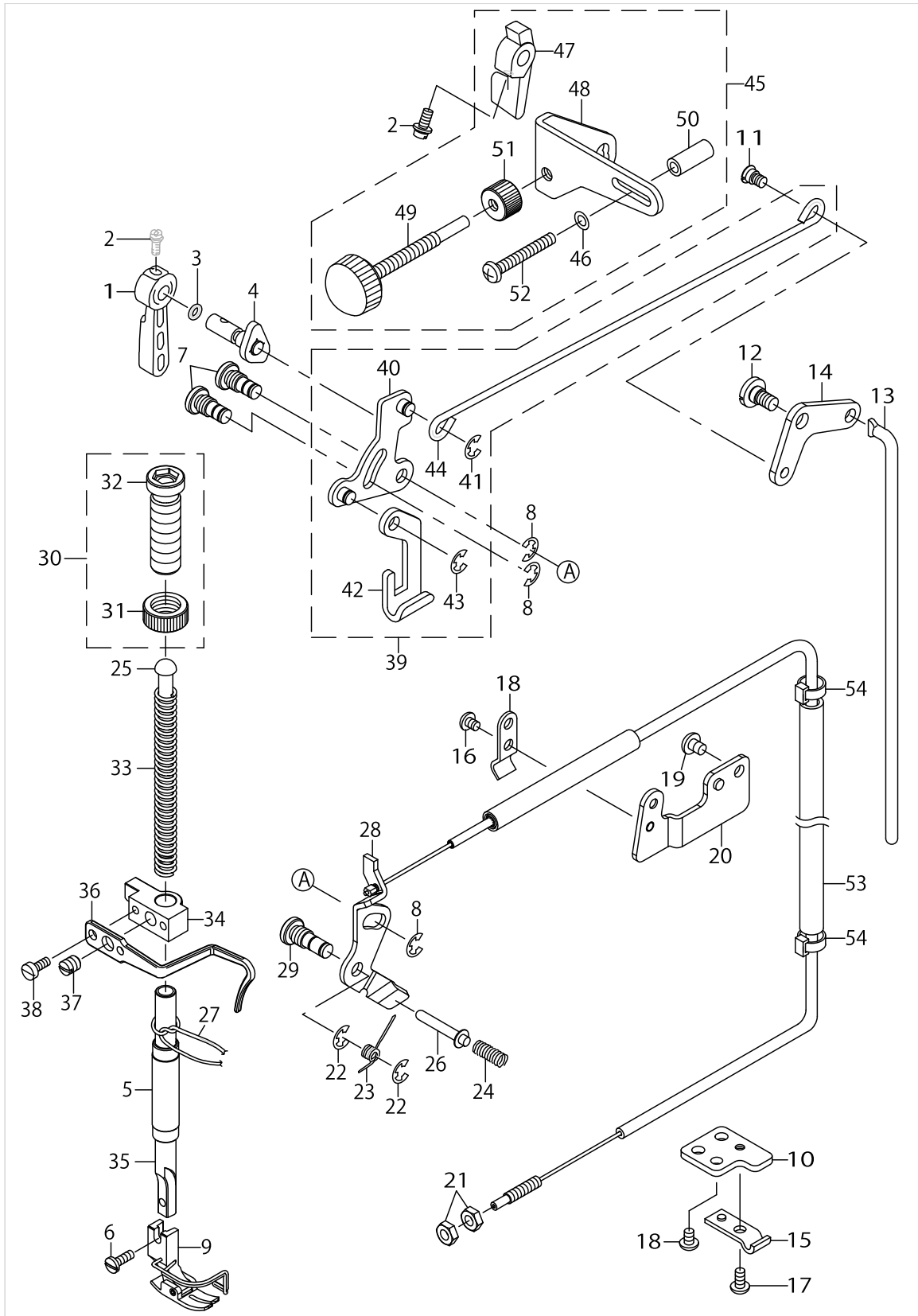
HAND LIFTER COMPONENTS



HAND LIFTER COMPONENTS

| No. | Parts No. | Parts name | Remarks | Level | Cons | Qty |
|-----|-------------|-------------------------------|----------------|-------|------|-----|
| 1 | 22907802 | HAND LIFTER | | | | 1 |
| 2 | B1521555000 | SCREW | | | | 1 |
| 3 | RO037180100 | RUBBER RING | | | | 1 |
| 4 | 22908552 | HAND LIFTER CAM ASM. | | | | 1 |
| 5 | 40060989 | PRESSER BAR BUSHING LOWER | | | | 1 |
| 6 | SS7091110TP | SCREW 9/64-40 L=10.5 | | | ☆ | 1 |
| 7 | 22908701 | LINK SHAFT | | | | 2 |
| 8 | RE0500000K0 | E-RING | | | | 3 |
| 9 | B15240120BA | PRESSER FOOT ASM. | | | | 1 |
| 10 | 40050314 | OUTER HOLDER BASE | | | | 1 |
| 11 | 22908909 | HINGE SCREW | | | | 1 |
| 12 | SD0720331SP | HINGE SCREW D=7.24 H=3.3 | | | | 1 |
| 13 | 22909006 | KNEE LIFTER CONNECTING ROD | | | | 1 |
| 14 | 22908800 | KNEE LIFTER LINK | | | | 1 |
| 15 | D3164555B00 | OUTER PRESSER PLATE | | | | 1 |
| 16 | SS4110515SP | SCREW 11/64-40 L=5 | | | | 1 |
| 17 | SM4050855SP | SCREW | | | | 1 |
| 18 | 40186696 | WIRE HOLDER | | | | 1 |
| 19 | SS4120615SP | SCREW 3/16-28 L=6 | | | | 1 |
| 20 | 40187308 | WIRE PRESSER BASE | | | | 1 |
| 21 | NS6620310SP | NUT 3/16-32 | | | | 2 |
| 22 | RE0500000K0 | E-RING | | | | 2 |
| 23 | 22920201 | RETURN SPRING | | | | 1 |
| 24 | 22920409 | THREAD RELEASE PIN SPRING | | | | 1 |
| 25 | 22907703 | PRESSER GUIDE BAR | | | | 1 |
| 26 | 22920300 | THREAD RELEASE SUPPORTING PIN | | | | 1 |
| 27 | CQ202000000 | OIL WICK | | | | 0.2 |
| 28 | 40184541 | THREAD_RELEASE_WIRE_ASM | | | | 1 |
| 29 | 22920102 | TENSION RELEASE SHAFT | | | | 1 |
| 30 | 22907554 | PRESSER SPRING REGULATOR ASM. | | | | 1 |
| 31 | 22907604 | PRESSER SPRING REGULATOR NUT | | * | | 1 |
| 32 | 22907505 | PRESSER SPRING REGULATOR | | * | | 1 |
| 33 | 22907406 | PRESSER SPRING | | | | 1 |
| 34 | 40098388 | PRESSER BAR GUIDE BRACKET | | | | 1 |
| 35 | 40017805 | PRESSER BAR | | | | 1 |
| 36 | 22907307 | THREAD GUIDE | | | | 1 |
| 37 | SS8660810TP | SCREW 1/4-40 L=8 | | | | 1 |
| 38 | SS6090910SP | SCREW 9/64-40 L=9 | | | | 2 |
| 39 | 22908354 | KNEE LIFTING CROSS ROD ASM. | | | | 1 |
| 40 | 22908156 | LIFTING LINK ASM. | | * | | 1 |
| 41 | RE0500000K0 | E-RING | | * | | 1 |
| 42 | 22908008 | LIFTING PLATE | | * | | 1 |
| 43 | RE0500000K0 | E-RING | | * | | 1 |
| 44 | 22908305 | KNEE LIFTER SIDE ROD | | * | | 1 |
| 45 | 11243763 | PRESSER LIFTING DEVICE ASM. | OPTIONAL PARTS | | | 1 |
| 46 | WP0482086SD | WASHER 4.8X11.5X2 | | * | | 1 |
| 47 | 23611106 | HAND LIFTER | | * | | 1 |

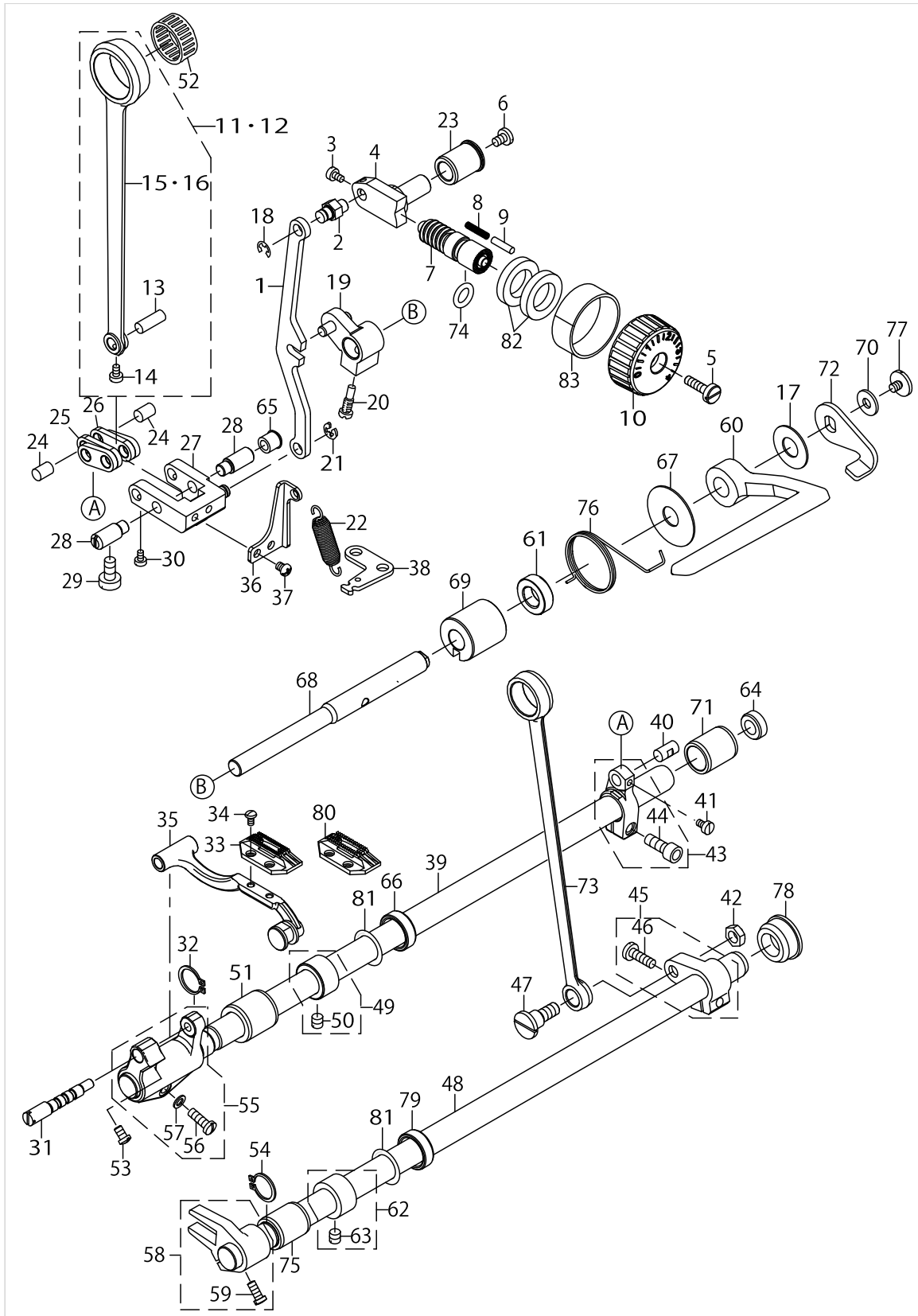
HAND LIFTER COMPONENTS



HAND LIFTER COMPONENTS

| No. | Parts No. | Parts name | Remarks | Level | Cons | Qty |
|-----|-------------|--------------------|---------|-------|------|------|
| 48 | 11244209 | STOPPER BASE | | * | | 1 |
| 49 | 23610652 | STOPPER SCREW ASM. | | * | | 1 |
| 50 | 11244019 | STOPPER COLLAR | | * | | 1 |
| 51 | 23610702 | STOPPER SCREW NUT | | * | | 1 |
| 52 | 11433802 | SET SCREW | | * | | 1 |
| 53 | BT1000651EB | POLYURETHANE TUBE | | | | 0.22 |
| 54 | HX00065000A | CABLE CLIP | | | | 2 |

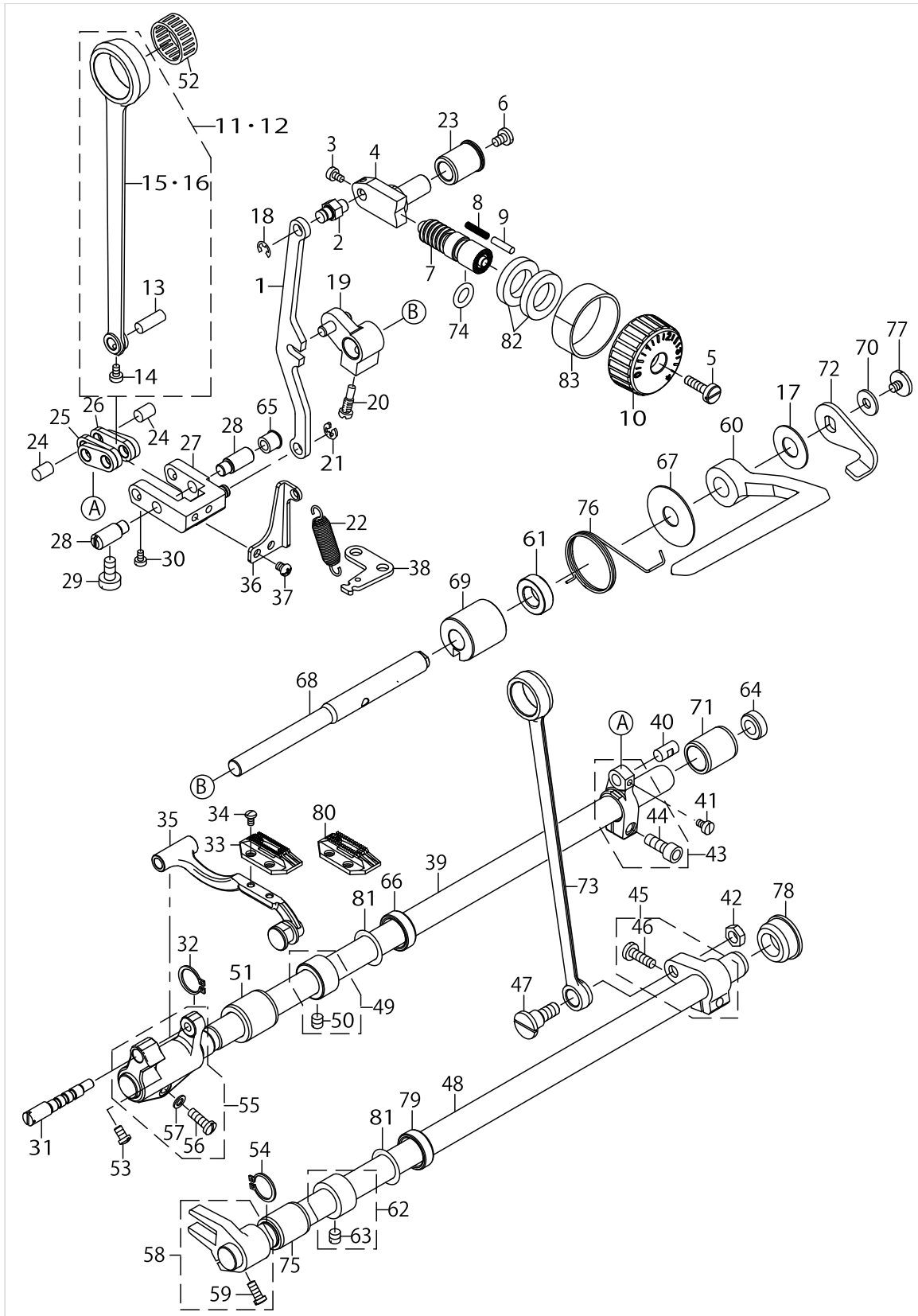
FEED MECHANISM COMPONENTS



FEED MECHANISM COMPONENTS

| No. | Parts No. | Parts name | Remarks | Level | Cons | Qty |
|-----|-------------|------------------------------------|---------------------------|-------|------|-----|
| 1 | 22911408 | FEED REGULATOR CONNCTING ROD | | | | 1 |
| 2 | 22911507 | WALKING FOOT PIN C | | | | 1 |
| 3 | SS6090670TP | SCREW 9/64-40 L=6 | | | | 2 |
| 4 | 22911606 | FEED REGULATOR | | | | 1 |
| 5 | SS6121860SP | SCREW 3/16-28 L=18 | | | | 1 |
| 6 | SS7120770SH | SCREW 3/16-28 L=7 | | | | 1 |
| 7 | 22911804 | FEED REGULATOR SCREW | | | | 1 |
| 8 | 22912109 | FEED REGULATOR PIN SPRING | | | | 1 |
| 9 | 22912000 | FEED REGULATOR PIN | | | | 1 |
| 10 | 22940506 | FEED DIAL | | | | 1 |
| 11 | 22910251 | CONNECTING ROD ASM. | | | | 1 |
| 12 | 22913859 | ROCKER SHAFT CONNECTING ROD B ASM. | ACCORDING TO DESTINATIONS | | | 1 |
| 13 | 22911101 | WALKING FOOT PIN C | | * | | 1 |
| 14 | SS6090620TP | SCREW | | * | | 1 |
| 15 | 22910202 | ROCKER SHAFT CONNECTING ROD | | * | | 1 |
| 16 | 22913800 | ROCKER SHAFT CONNECTING ROD B | ACCORDING TO DESTINATIONS | * | | 1 |
| 17 | 13887005 | THRUST WASHER | | | | 1 |
| 18 | RE0500000K0 | E-RING | | | | 1 |
| 19 | 22912257 | FEED REVERSE ARM ASM. | | | | 1 |
| 20 | 22912505 | FEED REVERSE ARM SCREW | | | | 1 |
| 21 | RE0500000K0 | E-RING | | | | 1 |
| 22 | 11037405 | SPRING | | | | 1 |
| 23 | 11009800 | FEED REGULATOR BUSHING | | | | 1 |
| 24 | 22910905 | WALKING FOOT PIN A | | | | 2 |
| 25 | 40089548 | CONNECTING LINK B | | | | 2 |
| 26 | 40093417 | CONNECTING LINK A | | | | 2 |
| 27 | 22910459 | FEED ADJUSTING LINK ASM. | | | | 1 |
| 28 | 22910806 | ADJUST LINK FULCRUM SHAFT A | | | | 2 |
| 29 | SS6151220SP | SCREW 15/64-28 L=11.5 | | | | 2 |
| 30 | SS6090620TP | SCREW | | | | 2 |
| 31 | 40125485 | FEED_BASE_SHAFT | | | | 1 |
| 32 | RC0150001KP | RETAINING RING 13.8 | | | | 1 |
| 33 | B1613012I00 | FEED DOG I | | | | 1 |
| 34 | SS4080620TP | SCREW 1/8-44 L=6 | | | | 2 |
| 35 | 22940753 | FEED BAR ASM. | | | | 1 |
| 36 | 22941306 | REGULATOR LINK SPRING HOOK | | | | 1 |
| 37 | SS4110515SP | SCREW 11/64-40 L=5 | | | | 2 |
| 38 | 22913701 | FEED SPRING HOOK | | | | 1 |
| 39 | 40156684 | FEED ROCKER SHAFT | | | | 1 |
| 40 | 22911002 | WALKING FOOT PIN B | | | | 1 |
| 41 | SS6090620TP | SCREW | | | | 1 |
| 42 | NS6680410SP | NUT 9/32-28 | | | | 1 |
| 43 | 40110379 | ASSY_FEED_ROCKER_ARM | | | | 1 |
| 44 | SS6121610SP | SCREW 3/16-28 L=15.5 | | * | | 1 |
| 45 | 40109422 | FEED_ARM_ASM | | | | 1 |
| 46 | SS7121610SP | SCREW 3/16-28 L=15.5 | | * | | 1 |

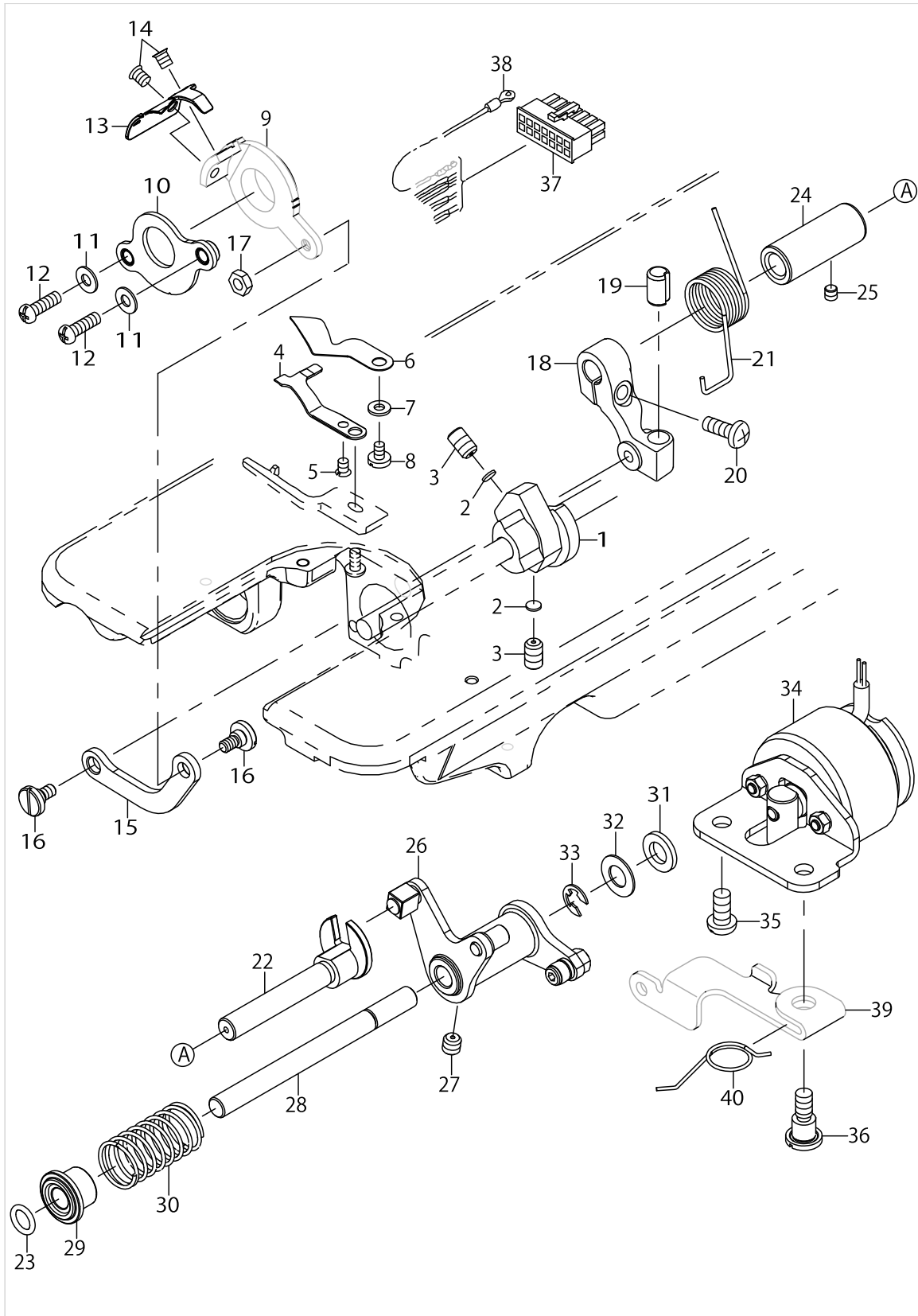
FEED MECHANISM COMPONENTS



FEED MECHANISM COMPONENTS

| No. | Parts No. | Parts name | Remarks | Level | Cons | Qty |
|-----|-------------|--------------------------------|---------------------------|-------|------|-----|
| 47 | SD1000801SH | HINGE SCREW D=10 H=8 | | | | 1 |
| 48 | 40186644 | FEED_DRIVING_SHAFT | | | | 1 |
| 49 | 40137504 | THRUST_COLLAR_ASM | | | | 1 |
| 50 | SS8660610TP | SCREW 1/4-40 L=6 | | * | | 2 |
| 51 | 40162859 | FEED_ROCKER_SHAFT_BUSHING | | | | 1 |
| 52 | 40111897 | BEARING | ACCORDING TO DESTINATIONS | | | 1 |
| 53 | SS7110740TP | SCREW 11/64-40 L=7 | | | | 1 |
| 54 | RC0150001KP | RETAINING RING 13.8 | | | | 1 |
| 55 | 22940654 | FEED ROCKER ASM. | | | | 1 |
| 56 | SS7121410TP | SCREW 3/16-28 L=14 | | * | | 1 |
| 57 | WP0480856SP | WASHER 4.8X8.4X0.8 | | * | | 1 |
| 58 | 22915359 | DRIVING SHAFT CRANK ASM. | | | | 1 |
| 59 | SS7111120SP | SCREW 11/64-40 L=10.5 | | * | | 1 |
| 60 | 40184533 | FEED LEVER | | | | 1 |
| 61 | 22888507 | OIL SEAL | | | | 1 |
| 62 | 22904155 | MAIN SHAFT THRUST COLLAR ASM. | | | | 1 |
| 63 | SS8660610TP | SCREW 1/4-40 L=6 | | * | | 2 |
| 64 | 40156758 | FEED SHAFT RUBBER | | | | 2 |
| 65 | TA0950806R0 | RUBBER PLUG | | | | 1 |
| 66 | 40029963 | OIL SEAL | | | | 1 |
| 67 | 40186209 | THRUST_WASHER_B | | | | 1 |
| 68 | 40184531 | REVERSE_FEED_LEVER_SHAFT | | | | 1 |
| 69 | 40184535 | REVERSE_FEED_LEVER_SHAFT_METAL | | | | 1 |
| 70 | WP0611626SP | WASHER 15X6X1.6 | | | | 1 |
| 71 | 40158189 | BUSHING | | | | 1 |
| 72 | 40184532 | REVERSE_FEED_LEVER_SHAFT_PLATE | | | | 1 |
| 73 | 22915003 | CONNECTING ROD | | | | 1 |
| 74 | RO092270200 | RUBBER RING | | | | 1 |
| 75 | 22913008 | FEED ROCKER SHAFT BUSHING | | | | 1 |
| 76 | 40184537 | REVERSE_FEED_LEVER_SPRING | | | | 1 |
| 77 | SS7620750SP | SCREW 3/16-32 L= 6.5 | | | | 1 |
| 78 | TA2351004R0 | RUBBER PLUG | | | | 1 |
| 79 | 40029963 | OIL SEAL | | | | 1 |
| 80 | 40133950 | FEED_DOG_M | ACCORDING TO DESTINATIONS | | | 1 |
| 81 | RO133170100 | RUBBER RING | | | | 2 |
| 82 | 22953400 | RUBBER PLUNGER | | | | 2 |
| 83 | 40190682 | RUBBER | | | | 1 |

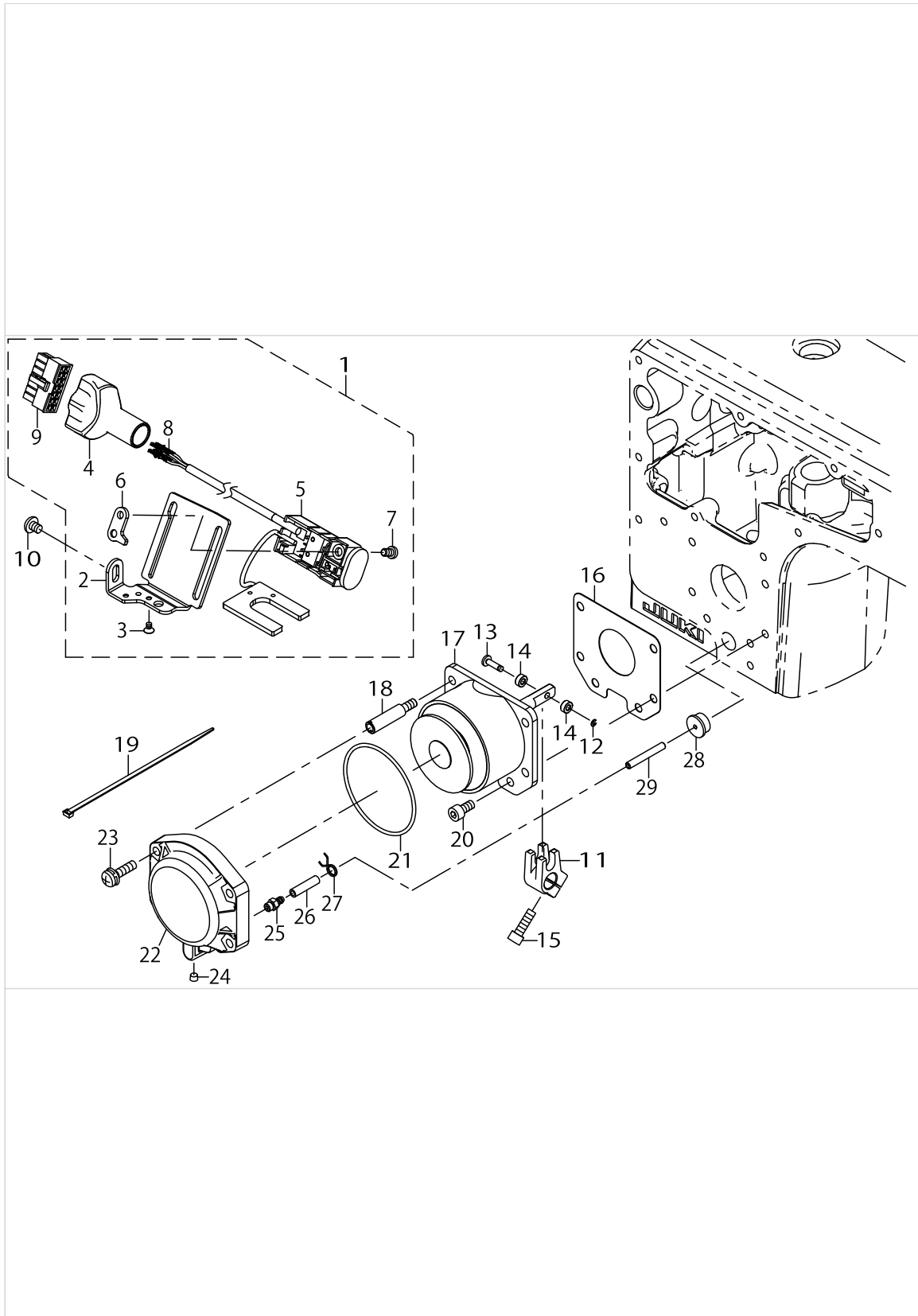
THREAD TRIMMER COMPONENTS



THREAD TRIMMER COMPONENTS

| No. | Parts No. | Parts name | Remarks | Level | Cons | Qty |
|-----|-------------|-------------------------------|---------|-------|------|-----|
| 1 | 40127152 | THREAD_TRIMMER_CAM | | | | 1 |
| 2 | 40127153 | SPACER | | | | 2 |
| 3 | SS8661012TP | SCREW | | | | 2 |
| 4 | 40127154 | COUNTER_KNIFE | | | ☆ | 1 |
| 5 | SS1090520TP | SCREW 9/64-40 L=5 | | | | 1 |
| 6 | 40127155 | LOWER_THREAD_FINGER | | | ☆ | 1 |
| 7 | WP0371016SD | WASHER 3.7X8X1 | | | | 1 |
| 8 | SS7090610SP | SCREW 9/64-40 L=6 | | | | 1 |
| 9 | 40184554 | MOVING_KNIFE_BASE | | | | 1 |
| 10 | 40127157 | KNIFE HOLDER_PRESSER_ASSY | | | | 1 |
| 11 | WP0450826SC | WASHER 4.5X10X0.8 | | | | 2 |
| 12 | SS4111415SP | SCREW 11/64-40 L=14 | | | | 2 |
| 13 | 40127160 | MOVING_KNIFE | | | ☆ | 1 |
| 14 | 11351806 | SCREW | | | | 2 |
| 15 | 40184555 | THREAD_TRIMMER_ROD | | | | 1 |
| 16 | SD0600291TP | HINGE SCKEW D=6 H=2.9 | | | | 2 |
| 17 | NS6110350SP | NUT 11/64-40 | | | | 1 |
| 18 | 40184556 | THREAD_TRIMMER_ARM | | | | 1 |
| 19 | 40127163 | LEVER_STOPPER | | | ☆ | 1 |
| 20 | SS4121415SP | SCREW 3/16-28 L=14 | | | | 1 |
| 21 | 40127164 | SPRING | | | | 1 |
| 22 | 40187734 | FORKED_SHAFT | | | | 1 |
| 23 | RO078190100 | RUBBER RING | | | | 1 |
| 24 | 40127167 | FORKED_SHAFT_BUSH | | | | 1 |
| 25 | SS8110422TP | SCREW 11/64-40 L=4 | | | | 1 |
| 26 | 40127168 | THREAD_TRIMMER_CAM_LEVER_ASSY | | | | 1 |
| 27 | SS8660612TP | SCREW 1/4-40 L=6 | | | | 1 |
| 28 | 40127180 | THREAD_TRIMMER_CAMLEVER_SHAFT | | | | 1 |
| 29 | 40187306 | THREAD TRIMMER SPRING COLLAR | | | | 1 |
| 30 | 40127182 | SPRING | | | | 1 |
| 31 | 40127183 | CUSHION | | | | 1 |
| 32 | WP0820816SD | WASHER 8.2X16X0.8 | | | | 1 |
| 33 | RE0600000K0 | E-RING 6 | | | | 1 |
| 34 | 40186203 | THREAD_TRIMMER_SOLENOID_ASM | | | | 1 |
| 35 | SS4151215SP | SCREW 15/64-28 L=12 | | | | 1 |
| 36 | SD0850751SP | HINGE SCREW D=8.50 H=7.5 | | | | 1 |
| 37 | HK034610140 | HOUSING 14P | | | | 1 |
| 38 | 40112907 | GROUND WIRE ASM | | | | 1 |
| 39 | 40184558 | THREAD_RELEASE_LEVER | | | | 1 |
| 40 | 40127190 | RETURN_SPRING | | | | 1 |

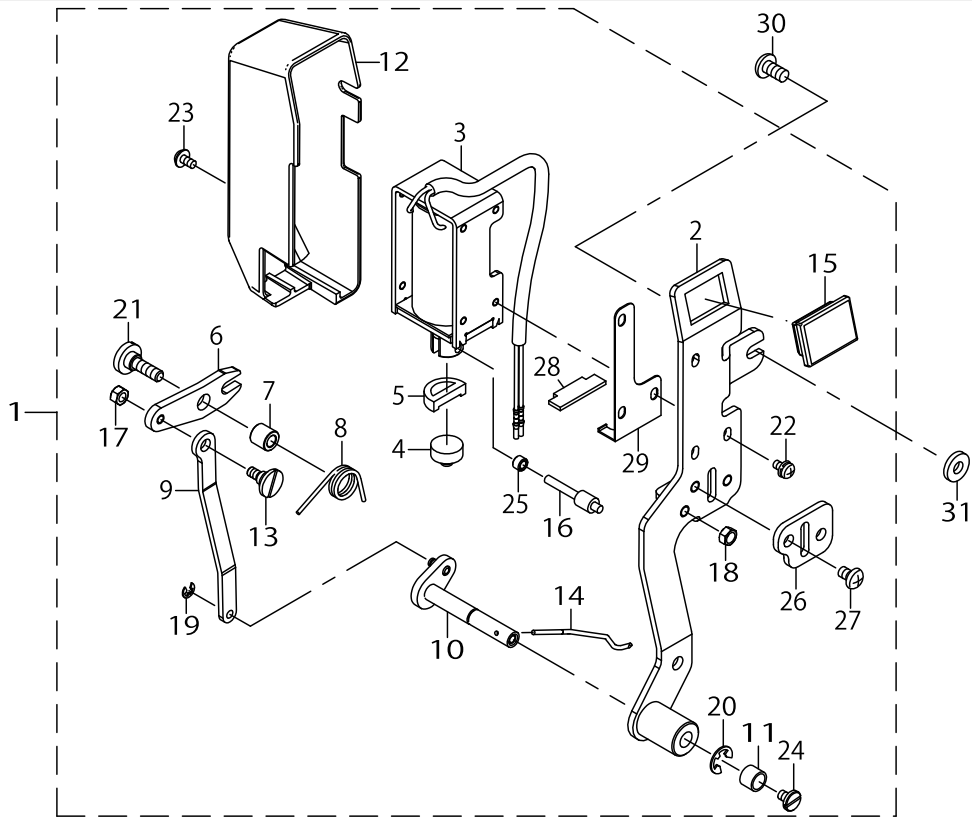
AUTOMATIC REVERSE FEED COMPONENTS



AUTOMATIC REVERSE FEED COMPONENTS

| No. | Parts No. | Parts name | Remarks | Level | Cons | Qty |
|-----|-------------|--------------------------------|---------|-------|------|------|
| 1 | 40148382 | LED_BT_SWITCH_ASSY | | | ☆ | 1 |
| 2 | 40139771 | LED_BASE | | * | | 1 |
| 3 | 40140191 | LED_SCREW | | * | | 2 |
| 4 | 40140306 | CONNECTOR_COVER | | * | | 1 |
| 5 | 40149069 | LED_BT_SWITCH | | * | | 1 |
| 6 | 23632102 | REVERSE FEED SWITCH BASE GUIDE | | * | | 1 |
| 7 | SS7110740TP | SCREW 11/64-40 L=7 | | * | | 1 |
| 8 | HK03464000B | PIN CONTACT | | * | | 4 |
| 9 | HK034610140 | HOUSING 14P | | * | | 1 |
| 10 | SS4120615SP | SCREW 3/16-28 L=6 | | | | 1 |
| 11 | 40184562 | REVERSE_FEED_ARM | | | | 1 |
| 12 | RC0260415K0 | C-RING | | | | 1 |
| 13 | 11217114 | ROLLER SHAFT | | | | 1 |
| 14 | 11217213 | ROLLER | | | | 2 |
| 15 | SM6051602TP | SCREW M5X0.8 L=16 | | | | 1 |
| 16 | 40184560 | REVERSE_FEED_SOLENOID_PACKING | | | | 1 |
| 17 | 40184559 | REVERSE_FEED_SOLENOID | | | | 1 |
| 18 | 40187304 | STUD | | | | 4 |
| 19 | HX00065000A | CABLE CLIP | | | | 1 |
| 20 | SM6051002TP | SCREW M5X0.8 L=10 | | | | 2 |
| 21 | RO555200200 | O-RING | | | | 1 |
| 22 | 40187307 | SOLENOID CAP | | | | 1 |
| 23 | SL4052091SC | SCREW M5X0.8 L=20 | | | | 4 |
| 24 | TA0400301M0 | PLUG D=4X4.5 L=3 | | | | 1 |
| 25 | SQ2050453MZ | CONNECTING SCREW | | | | 1 |
| 26 | 23630007 | TUBE | | | | 0.02 |
| 27 | 23629306 | PIPE STOPPER A | | | | 1 |
| 28 | B3510205000 | RUBBER PLUG | | | | 1 |
| 29 | 40186847 | REVERSE FEED SOLENOID PIPE | | | | 1 |

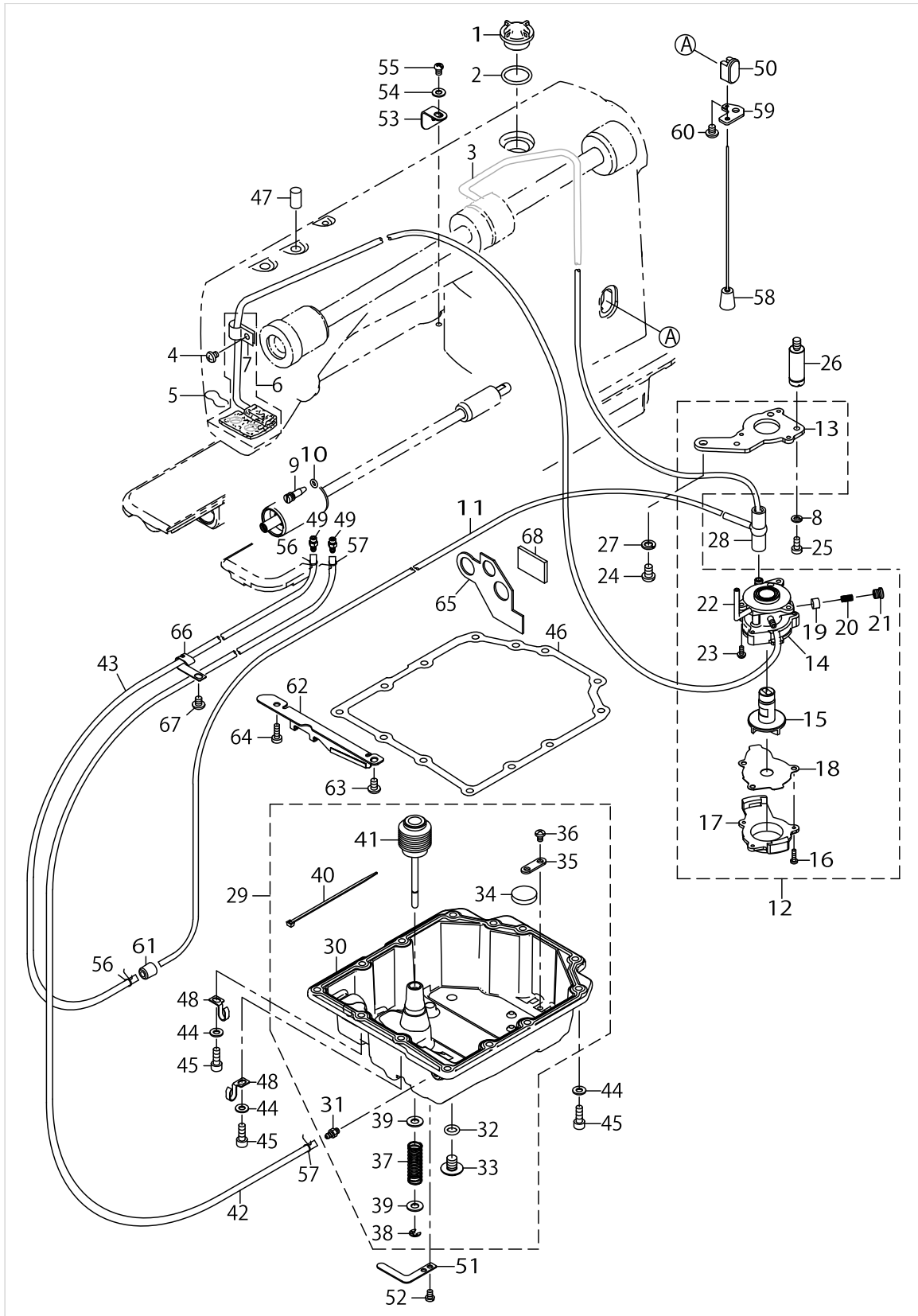
WIPER COMPONENTS (WB)



WIPER COMPONENTS (WB)

| No. | Parts No. | Parts name | Remarks | Level | Cons | Qty |
|-----|-------------|----------------------------|---------|-------|------|-----|
| 1 | 40140992 | WIPER_ASSY | | | | 1 |
| 2 | 40140994 | WIPER_BASE_ASSY | | * | | 1 |
| 3 | 40110999 | WIPER SOLENOID | | * | | 1 |
| 4 | 22955900 | WIPER RUBBER A | | * | | 1 |
| 5 | 22956007 | WIPER RUBBER B | | * | | 1 |
| 6 | 22956106 | WIPER LINK A | | * | | 1 |
| 7 | 22956205 | WIPER HINGE SCREW COLLAR | | * | | 1 |
| 8 | 22956304 | WIPER SPRING | | * | | 1 |
| 9 | 22956403 | WIPER LINK B | | * | | 1 |
| 10 | 40041419 | WIPER LINK C ASM. | | * | | 1 |
| 11 | 22956809 | WIPER COLLAR | | * | | 1 |
| 12 | 22955504 | WIPER COVER | | * | | 1 |
| 13 | 22956908 | WIPER LINK B HINGE SCREW | | * | | 1 |
| 14 | 40140991 | WIPER | | * | | 1 |
| 15 | 40086678 | WIPER_SW_RUBBER | | * | | 1 |
| 16 | 40077852 | WIPER SOLENOID SHAFT | | * | | 1 |
| 17 | NS6090310SP | NUT 9/64-40 | | * | | 1 |
| 18 | NS6110310SP | NUT 11/64-40 | | * | | 1 |
| 19 | RE0250000K0 | E-RING 2.5 | | * | | 1 |
| 20 | RE0500000K0 | E-RING | | * | | 1 |
| 21 | SD0650321TP | HINGE SCREW D=6.5 H=3.2 | | * | | 1 |
| 22 | SL4030641SE | SCREW | | * | | 3 |
| 23 | SL4030691SC | SCREW M3 L=6 | | * | | 1 |
| 24 | SS6090540SP | SCREW 9/64-40 L=5.0 | | * | | 1 |
| 25 | 22957203 | WIPER LINK COLLAR | | * | | 1 |
| 26 | 40077851 | WIPER SOLENOID SHAFT GUIDE | | * | | 1 |
| 27 | SS4110615SP | SCREW 11/64-40 L=6 | | * | | 2 |
| 28 | 40086679 | WIPER_STOPPER_RUBBER | | * | | 1 |
| 29 | 40037500 | RUBBER HOLDER | | * | | 1 |
| 30 | SS4120925SP | SCREW 3/16-28 L=9 | | | | 1 |
| 31 | WP0482086SD | WASHER 4.8X11.5X2 | | | | 1 |

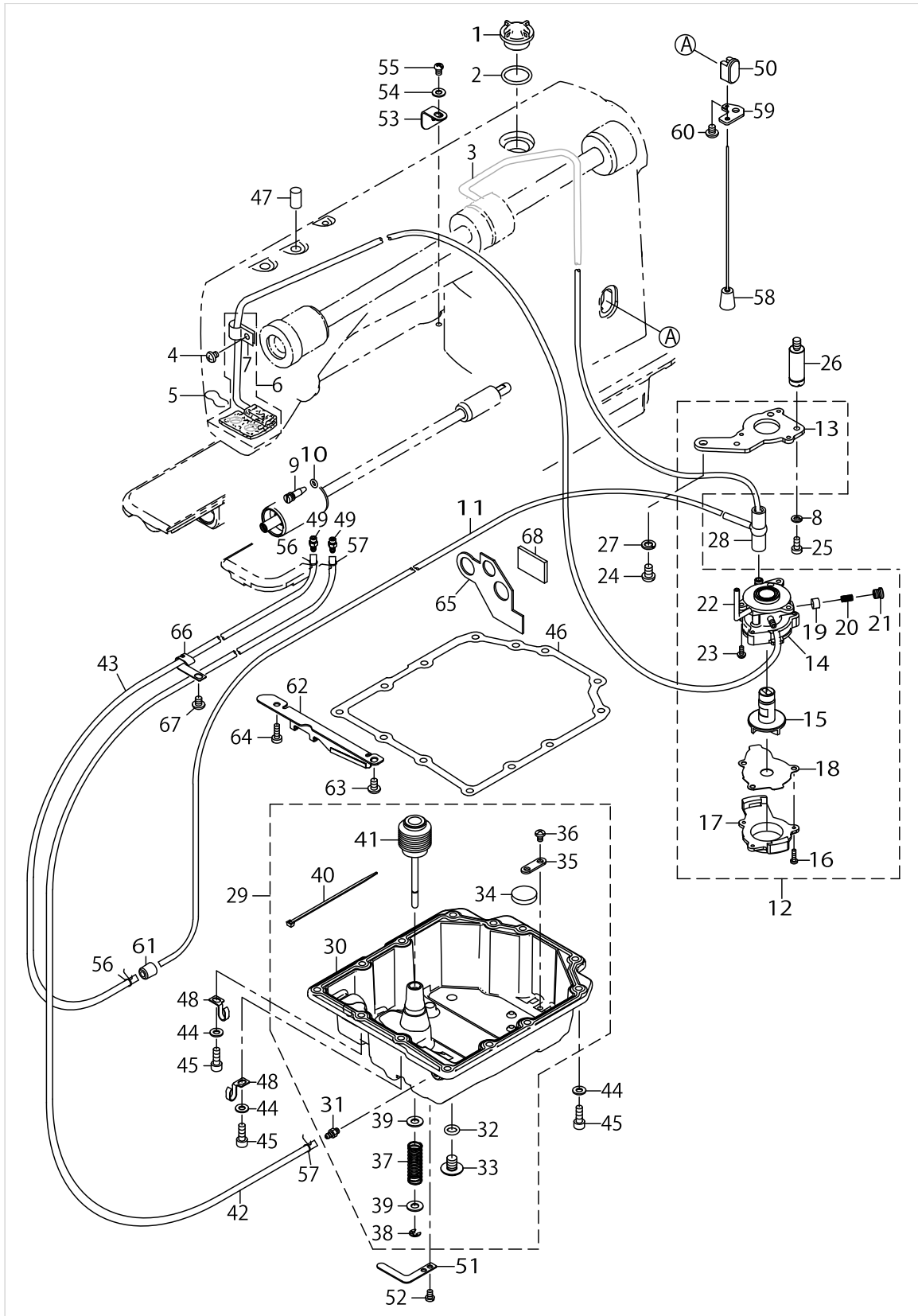
OIL LUBRICATION COMPONENTS



OIL LUBRICATION COMPONENTS

| No. | Parts No. | Parts name | Remarks | Level | Cons | Qty |
|-----|-------------|-----------------------------|-----------------|-------|------|-----|
| 1 | 22924708 | OIL SIGHT WINDOW | | | | 1 |
| 2 | RO195240100 | RUBBER RING | | | | 1 |
| 3 | 40184543 | MAIN_SHAFT_OIL_TUBE | | | | 1 |
| 4 | SS4120615SP | SCREW 3/16-28 L=6 | | | | 1 |
| 5 | 22925101 | OIL FELT PRESSER | | | | 1 |
| 6 | 22924153 | OIL RETURN TUBE ASM. | | | | 1 |
| 7 | 22924302 | HOLDER | | * | | 1 |
| 8 | WS0451040KP | SPRING WASHER 4.5X8.5X1 | | | | 0.3 |
| 9 | 40037502 | OIL ADJUSTING SCREW | | | | 1 |
| 10 | RO037180100 | RUBBER RING | | | | 1 |
| 11 | 40184575 | HOOK_OIL_PIPE | | | | 1 |
| 12 | 22923056 | LUBRICATING OIL PUMP ASM. | | | | 1 |
| 13 | 22923312 | OIL PUMP INSTALLING BASE | | * | | 1 |
| 14 | 22923015 | OIL PUMP | | * | | 1 |
| 15 | 22923700 | OIL PUMP IMPELLER | | * | | 1 |
| 16 | SE4301041SR | SCREW D=3 L=10 | | * | | 1 |
| 17 | 22923205 | LUBRICATING OIL PUMP COVER | | * | | 1 |
| 18 | 22923809 | OIL PUMP IMPELLER COVER | | * | | 1 |
| 19 | 22923403 | PLUNGER | | * | | 1 |
| 20 | 22923601 | PLUNGER SPRING | | * | | 1 |
| 21 | 22923502 | PLUNGER SCREW | | * | | 1 |
| 22 | 22923908 | HOOK DRIVING SHAFT OIL TUBE | | * | | 1 |
| 23 | SL4030851SF | SCREW M3 L=8 | | * | | 3 |
| 24 | SS4150915SP | SCREW 15/64-28 L=9 | | | | 1 |
| 25 | SS6111010TP | SCREW 11/64-40 L=9.5 | | | | 1 |
| 26 | 22947105 | OIL PUMP SUPPORT | | | | 1 |
| 27 | WS0651310KP | SPRING WASHER 6.5X11X1.3 | | | | 1 |
| 28 | 22924609 | RUBBER JOINT | | | | 1 |
| 29 | 40184544 | OIL_SHIELD_ASSY | | | | 1 |
| 30 | 40184545 | OIL_SHIELD | | * | | 1 |
| 31 | SQ2050453MZ | CONNECTING SCREW | | * | | 1 |
| 32 | 13170105 | RUBBER RING | | * | | 1 |
| 33 | 13171004 | DRAIN SCREW | | * | | 1 |
| 34 | B8228125000 | OIL RESERVOIR MAGNET | | * | | 1 |
| 35 | 40024644 | MAGNET WASHER | | * | | 1 |
| 36 | SM4040655SP | SCREW M4 L=6 | | * | | 1 |
| 37 | GAK30005000 | SPRING | | * | | 1 |
| 38 | RE0400000K0 | E-RING 4 | | * | | 1 |
| 39 | WP0621016SD | WASHER 6.2X13X1 | | * | | 2 |
| 40 | EA9500B0100 | CABLE BAND | | * | | 1 |
| 41 | 40184547 | KNEE_LIFTER_PUSH_COMP | | * | | 1 |
| 42 | 23630007 | TUBE | SELECTIVE PARTS | | | 0.1 |
| 43 | 23630007 | TUBE | SELECTIVE PARTS | | | 0.1 |
| 44 | WP0501016SD | WASHER 5X10.5X1 | | | | 13 |
| 45 | SM6051402TP | SCREW M5X0.8 L=14 | | | | 13 |
| 46 | 40184546 | OIL_SHIELD_PACKING | | | ☆ | 1 |
| 47 | 11039203 | FELT | | | | 1 |

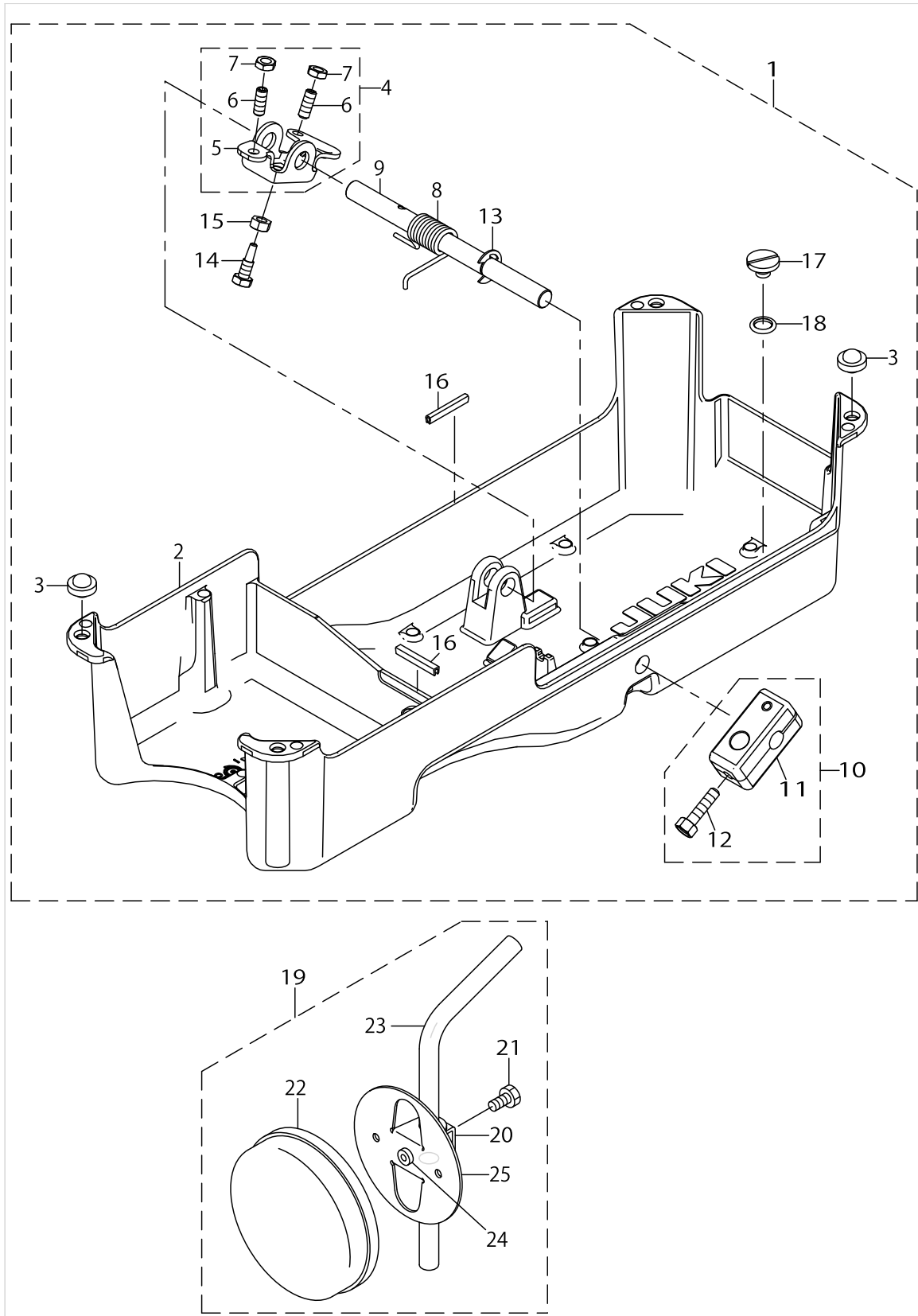
OIL LUBRICATION COMPONENTS



OIL LUBRICATION COMPONENTS

| No. | Parts No. | Parts name | Remarks | Level | Cons | Qty |
|-----|-------------|----------------------------|---------|-------|------|-----|
| 48 | 26231902 | OIL WICK PIPE STOPPER | | | | 2 |
| 49 | SQ2050453MZ | CONNECTING SCREW | | | | 2 |
| 50 | 40017215 | OIL_SIGHT_WINDOW | | | | 1 |
| 51 | 13101407 | LOOPER COVER PRESSER PLATE | | | | 1 |
| 52 | SM4040655SP | SCREW M4 L=6 | | | | 1 |
| 53 | 40028281 | FEED_ADJUSTING_STOPPER | | | | 1 |
| 54 | WP0501016SD | WASHER 5X10.5X1 | | | | 1 |
| 55 | SS4110615SP | SCREW 11/64-40 L=6 | | | | 1 |
| 56 | 23629306 | PIPE STOPPER A | | | | 2 |
| 57 | 40162044 | PIPE STOPPER | | | | 2 |
| 58 | 40184550 | FLOATER_ASM | | | | 1 |
| 59 | 40184552 | FLOATER_GUIDE | | | | 1 |
| 60 | SS4120615SP | SCREW 3/16-28 L=6 | | | | 1 |
| 61 | TA0971101R0 | PLUG | | | | 1 |
| 62 | 40187485 | OIL BRACKET ASM | | | | 1 |
| 63 | SM4050855SP | SCREW | | | | 1 |
| 64 | SS6111210SP | SCREW 11/64-40 L=12 | | | | 1 |
| 65 | 40187736 | FELT | | | | 1 |
| 66 | 40136258 | CORD HOLDER | | | | 1 |
| 67 | SM4050655SP | SCREW M5 L=6 | | | | 1 |
| 68 | 21345905 | FACE ONCE THROUGH FELT | | | | 1 |

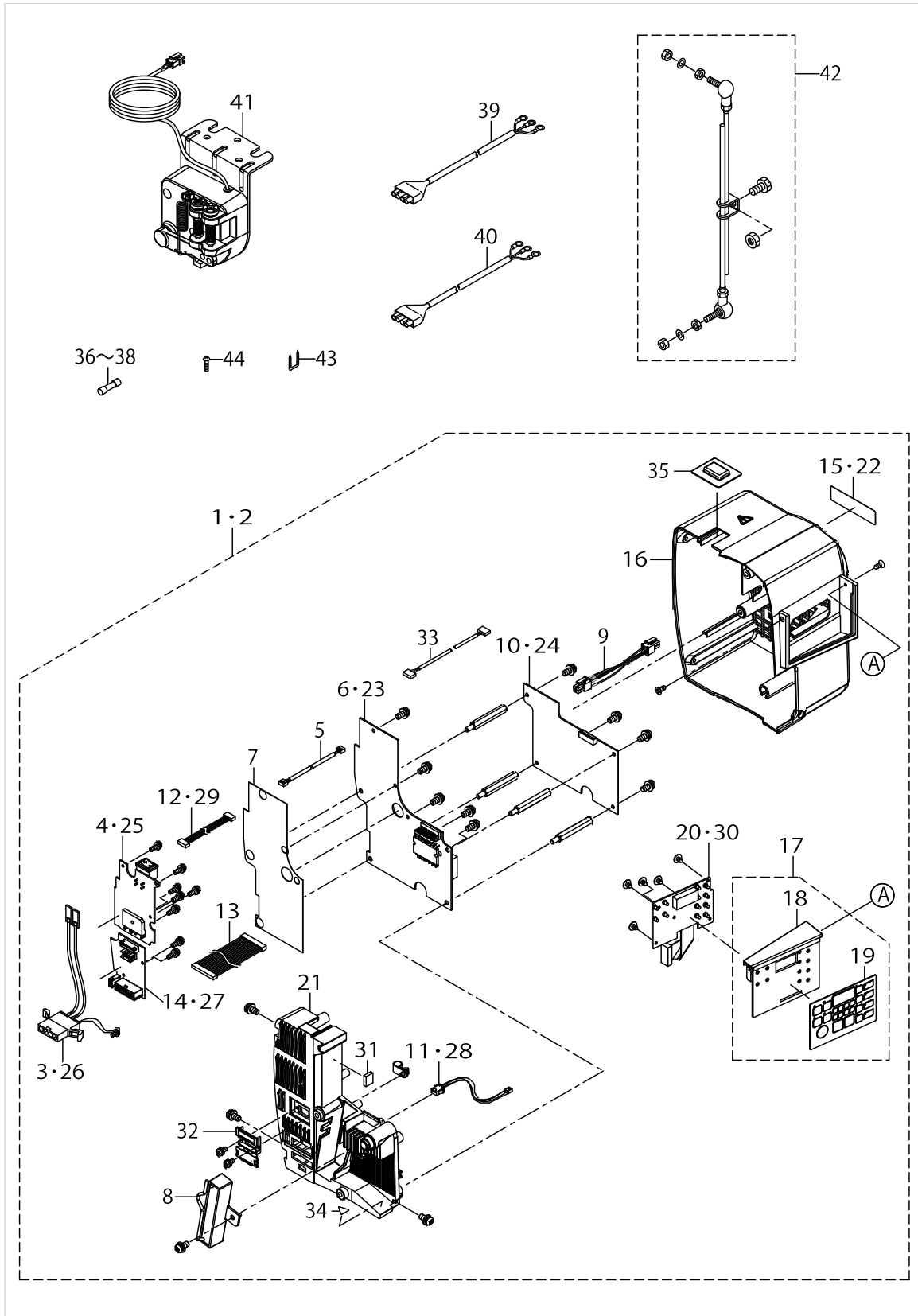
UNDER COVER COMPONENTS



UNDER COVER COMPONENTS

| No. | Parts No. | Parts name | Remarks | Level | Cons | Qty |
|-----|-------------|-------------------------------|---------|-------|------|-----|
| 1 | 40184563 | UNDER_COVER_ASSY | | | | 1 |
| 2 | 40184564 | UNDER_COVER | | * | | 1 |
| 3 | B1116210D00 | FRAME SUPPORT RUBBER | | * | | 4 |
| 4 | 40156725 | KNEE LIFTER ROTATION ARM ASM. | | * | | 1 |
| 5 | 22932107 | KNEE LIFTER ROTATING ARM | | * | | 1 |
| 6 | SM8061612TP | SCREW M6X16 | | * | | 2 |
| 7 | NM6060003SC | NUT M6 | | * | | 2 |
| 8 | 40156726 | KNEE LIFTER SPRING | | * | | 1 |
| 9 | 40101541 | KNEE_PRESS_CROSS_SHAFT | | * | | 1 |
| 10 | 22932453 | BRACKET ASM. | | * | | 1 |
| 11 | 22932404 | BRACKET | | * | | 1 |
| 12 | 22934707 | SCREW | | * | | 2 |
| 13 | RE1000000K0 | E-RING 10 | | * | | 1 |
| 14 | SM9061853SR | SCREW M6 L=17.5 | | * | | 1 |
| 15 | NM6060001SE | NUT M6 | | * | | 1 |
| 16 | HX00669000A | GROMMET | | * | | 2 |
| 17 | SS6700710SH | SCREW 5/16-24 L=7 | | * | | 1 |
| 18 | RO098240100 | O-RING | | * | | 1 |
| 19 | 22934251 | KNEE PAD PLATE ASM. | | | | 1 |
| 20 | 22934301 | KNEE PAD PLATE SUPPORT | | * | | 1 |
| 21 | SM9061203SE | SCREW M6 L=12 | | * | | 1 |
| 22 | 22934509 | KNEE PAD PLATE COVER | | * | | 1 |
| 23 | 22934608 | KNEE PAD UPRIGHT SHAFT | | * | | 1 |
| 24 | 22934400 | KNEE PAD PLATE RUBBER | | * | | 1 |
| 25 | 22934202 | KNEE PAD PLATE | | * | | 1 |

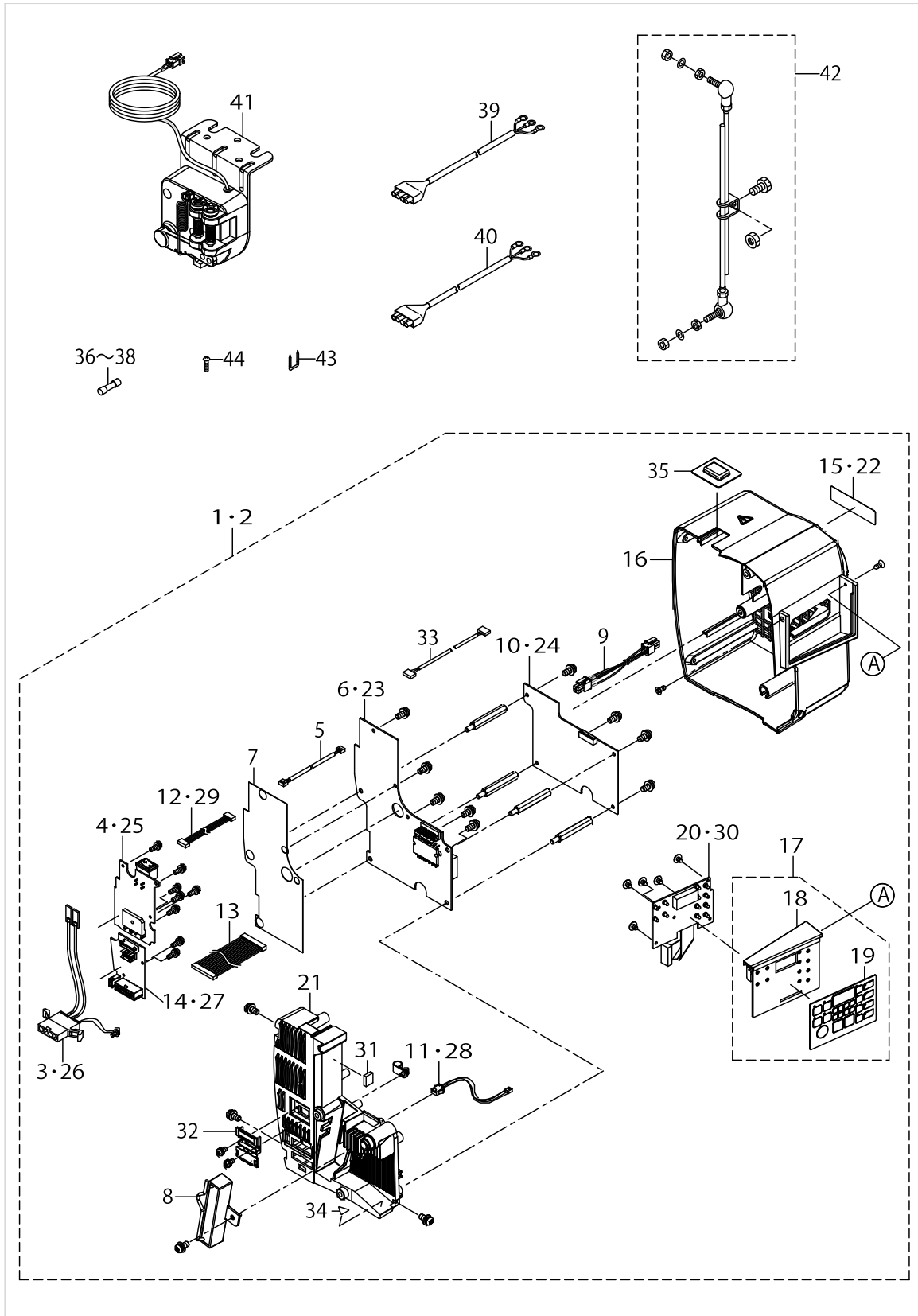
PSC UNIT



PSC UNIT

| No. | Parts No. | Parts name | Remarks | Level | Cons | Qty |
|-----|-------------|----------------------------------|-------------------------------|-------|------|-----|
| 1 | 40156704 | CONTROL BOX | VARIOUS NOS. FOR DESTINATIONS | | | 1 |
| 2 | 40163109 | CONTROL_BOX_CE | FOR CE | | | 1 |
| 3 | 40141200 | AC INPUT CORD ASSY | VARIOUS NOS. FOR DESTINATIONS | * | | 1 |
| 4 | 40141201 | FLT PCB ASSY | VARIOUS NOS. FOR DESTINATIONS | * | | 1 |
| 5 | 40141203 | INPUT CHECK CORD ASSY | | * | | 1 |
| 6 | 40141204 | PWR PCB ASSY | VARIOUS NOS. FOR DESTINATIONS | * | | 1 |
| 7 | 40141205 | PWR PCB FILM SHEET | | * | | 1 |
| 8 | 40141206 | RESISTANCE_A_ASSY | | * | | 1 |
| 9 | 40141207 | DC POWER SUPPLY CORD ASSY | | * | | 1 |
| 10 | 40141208 | CTL PCB ASSY | VARIOUS NOS. FOR DESTINATIONS | * | | 1 |
| 11 | 40141209 | PEDAL CORD ASSY | VARIOUS NOS. FOR DESTINATIONS | * | | 1 |
| 12 | 40141210 | SOL POWER CORD ASSY | VARIOUS NOS. FOR DESTINATIONS | * | | 1 |
| 13 | 40141211 | SOL SIGNAL CORD ASSY | | * | | 1 |
| 14 | 40141212 | SOL PCB ASSY | VARIOUS NOS. FOR DESTINATIONS | * | | 1 |
| 15 | 40156706 | RATING LABEL A DRAWING | VARIOUS NOS. FOR DESTINATIONS | * | | 1 |
| 16 | 40141217 | PSC COVER | | * | | 1 |
| 17 | 40141214 | PANEL COVER ASSY | | * | | 1 |
| 18 | 40141215 | PANEL COVER | | * | | 1 |
| 19 | 40141216 | MEMBRANE SWITCH | | * | | 1 |
| 20 | 40141213 | PNL PCB ASSY | VARIOUS NOS. FOR DESTINATIONS | * | | 1 |
| 21 | 40141199 | FRAME | | * | | 1 |
| 22 | 40156707 | RATING LABEL C DRAWING | FOR CE | * | | 1 |
| 23 | 40145554 | PWR-CE PCB ASSY | FOR CE | * | | 1 |
| 24 | 40145555 | CTL-CE PCB ASSY | FOR CE | * | | 1 |
| 25 | 40145553 | FLT-CE PCB ASSY | FOR CE | * | | 1 |
| 26 | 40149316 | AC INPUT CORD ASSY | FOR CE | * | | 1 |
| 27 | 40145556 | SOL-CE PCB ASSY | FOR CE | * | | 1 |
| 28 | 40145557 | PEDAL CORD CE ASSY | FOR CE | * | | 1 |
| 29 | 40145558 | SOL POWER CORD CE ASSY | FOR CE | * | | 1 |
| 30 | 40145921 | PNL-CE PCB ASSY | FOR CE | * | | 1 |
| 31 | 40145944 | EMI GASKET | FOR CE | * | | 1 |
| 32 | 40157011 | CONNECTOR COVER | | * | | 1 |
| 33 | 40145540 | PRT CORD ASSY | | * | | 1 |
| 34 | CM300200001 | FINGER INJURY CAUTION LABLE (16) | | * | | 1 |
| 35 | 40183785 | SWITCH DUSTPROOF CAOER ASSY | | * | | 1 |
| 36 | 40141225 | SLO-BLO FUSE | VARIOUS NOS. FOR DESTINATIONS | | | 1 |
| 37 | 40141226 | SLO-BLO FUSE | VARIOUS NOS. FOR DESTINATIONS | | | 1 |
| 38 | 40141227 | SLO-BLO FUSE | VARIOUS NOS. FOR DESTINATIONS | | | 1 |
| 39 | 40162159 | AC POWER CORD ASSY CE | FOR CE | | | 1 |
| 40 | 40141220 | AC POWER CORD ASSY | FOR CE | | | 1 |
| 41 | 40141219 | PEDAL_SENSOR_A_ASSY | | | | 1 |
| 42 | 40042134 | CONNECING_ROD_ASSY | | | | 1 |

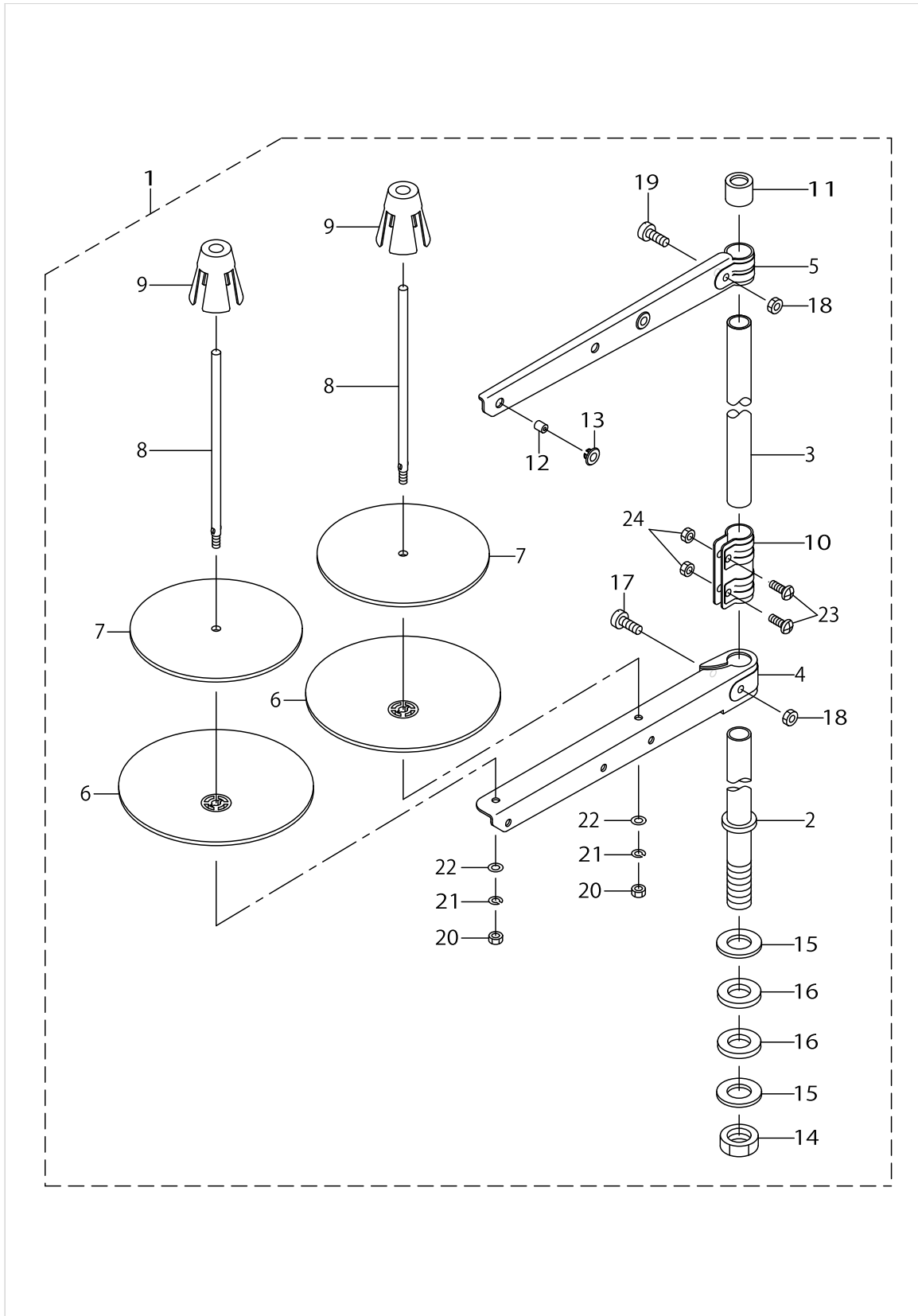
PSC UNIT



PSC UNIT

| No. | Parts No. | Parts name | Remarks | Level | Cons | Qty |
|-----|-----------|-------------|----------------------------------|-------|------|-----|
| 43 | 40141223 | CORD STAPLE | VARIOUS NOS. FOR DESTINATIONS | | | 3 |
| 44 | 40141224 | SCREW | | | | 3 |

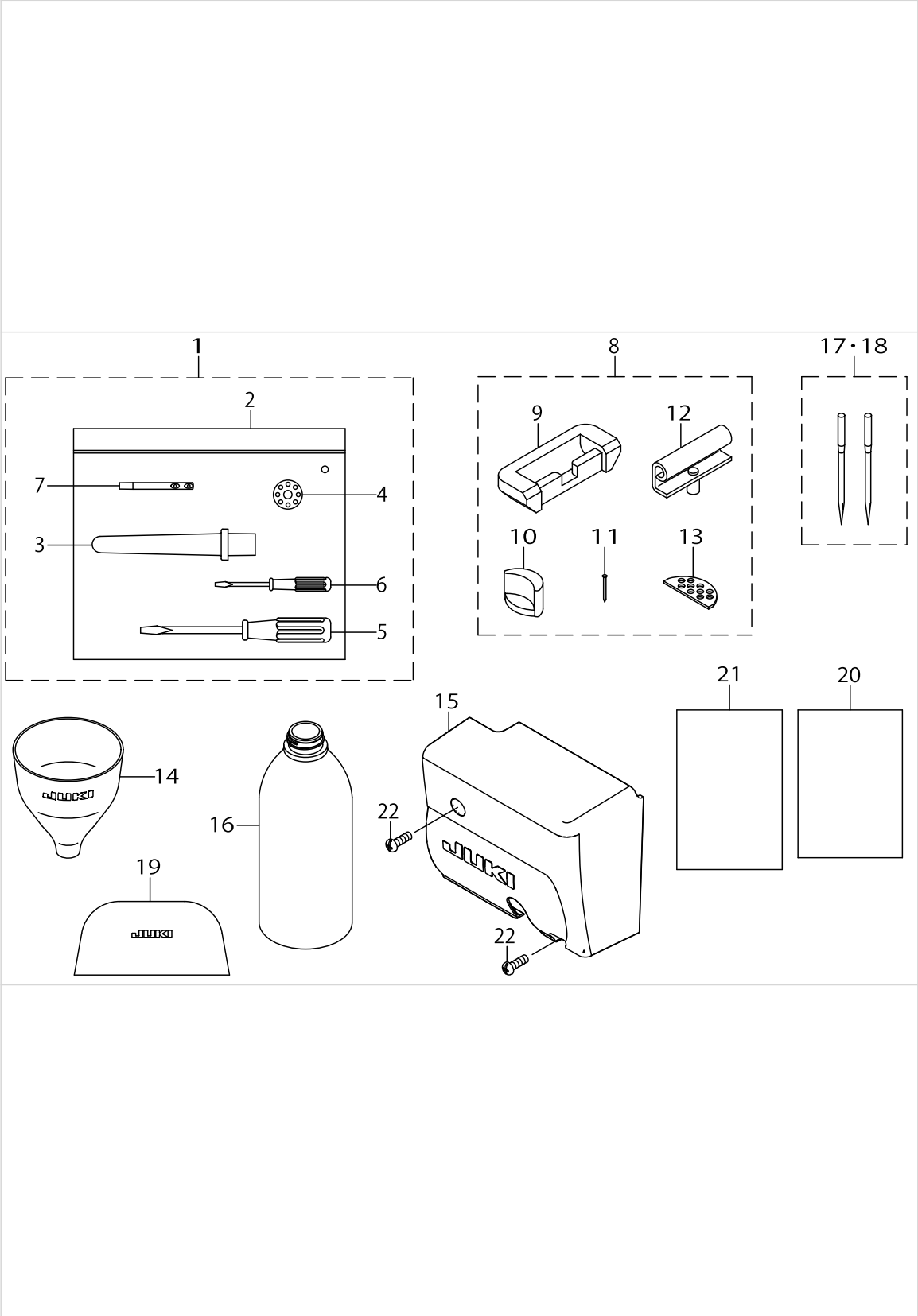
THREAD STAND COMPONENTS



THREAD STAND COMPONENTS

| No. | Parts No. | Parts name | Remarks | Level | Cons | Qty |
|-----|-------------|-------------------------------|---------|-------|------|-----|
| 1 | 40096354 | THREAD STAND ASM. | | | | 1 |
| 2 | 40085784 | SPOOL REST ROD LOWER | | * | | 1 |
| 3 | 40085785 | SPOOL REST ROD UPPER | | * | | 1 |
| 4 | 40085786 | SPOOL REST ARM LOWER | | * | | 1 |
| 5 | 40085787 | SPOOL REST ARM UPPER | | * | | 1 |
| 6 | 40085788 | SPOOL REST | | * | | 2 |
| 7 | 40085789 | SPOOL REST CUSHION | | * | | 2 |
| 8 | 40085790 | SPOOL PIN | | * | | 2 |
| 9 | 40085791 | SPOOL RETAINER | | * | | 2 |
| 10 | 40085792 | SPOOL REST ROD JOINT | | * | | 1 |
| 11 | 40085793 | SPOOL REST ROD RUBBER CAP | | * | | 1 |
| 12 | 40085794 | THREAD GUIDE | | * | | 2 |
| 13 | 40085795 | THREAD GUIDE BUSHING | | * | | 2 |
| 14 | 40096325 | SPOOL REST ROD NUT | | * | | 1 |
| 15 | WP1612616SE | WASHER 16X30X2.6 | | * | | 2 |
| 16 | 40085796 | SPOOL REST ROD RUBBER CUSHION | | * | | 2 |
| 17 | 40096326 | SPOOL REST ARM LOWER SCREW | | * | | 1 |
| 18 | NM6050001SE | NUT M5 | | * | | 2 |
| 19 | 40096327 | SPOOL REST ARM UPPER SCREW | | * | | 1 |
| 20 | NM6050001SE | NUT M5 | | * | | 2 |
| 21 | WS0510002KN | SPRING WASHER M5 | | * | | 2 |
| 22 | WP0531001SC | WASHER M5 | | * | | 2 |
| 23 | SM4051405SE | SCREW M5 L=14 | | * | | 2 |
| 24 | NM6050001SE | NUT M5 | | * | | 2 |

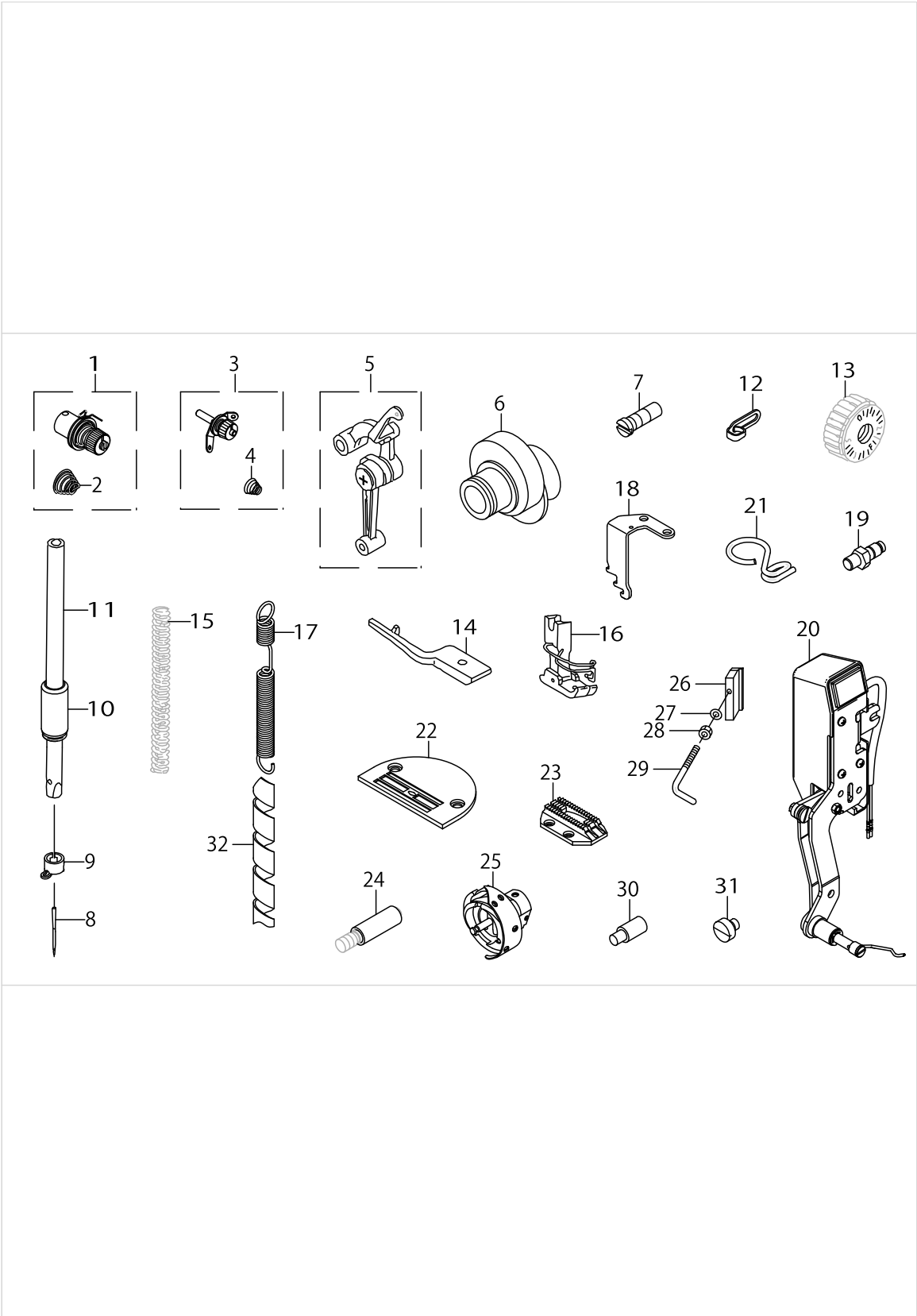
ACCESSORIE PARTS COMPONENTS



ACCESSORIE PARTS COMPONENTS

| No. | Parts No. | Parts name | Remarks | Level | Cons | Qty |
|-----|-------------|-------------------------------|------------------------------------|-------|------|-----|
| 1 | 40184578 | ACCESSORY_BAG_ASSY | | | | 1 |
| 2 | 22932800 | ACCESSORIE BAG | | * | | 1 |
| 3 | B8216271000 | FRAME SUPPORT BAR | | * | | 1 |
| 4 | 22932909 | BOBBIN | | * | ☆ | 1 |
| 5 | 22933105 | SCREW DRIVER MIDDLE | | * | | 1 |
| 6 | 22933204 | SCREW DRIVER SMALL | | * | | 1 |
| 7 | 22958300 | NEEDLE THREAD GUIDE PIN | | * | | 1 |
| 8 | 22958052 | RUBBER HINGE ASM. | | | | 1 |
| 9 | 22926000 | RUBBER CUSHION | | * | | 2 |
| 10 | 22958003 | FRAME BUBBER CUSHION | | * | | 2 |
| 11 | 22926208 | NAIL | | * | | 8 |
| 12 | 22926356 | HINGE COMPL. | | * | | 2 |
| 13 | 22926505 | WASHER | | * | | 2 |
| 14 | 13160601 | FUNNEL | | | | 1 |
| 15 | 40187727 | REVERSF FEED SOLENOID COVER | | | | 1 |
| 16 | MML007600CA | JUKI MACHINE OIL 7 | ACCORDING TO MANUFACTURING BASE | | ☆ | 1 |
| 17 | MDB100B1402 | NEEDLE DBX1#14-2 | ACCORDING TO MANUFACTURING BASE | | ☆ | 1 |
| 18 | MC200500902 | NEEDLE 134 #90-2 | ACCORDING TO MANUFACTURING BASE | | ☆ | 1 |
| 19 | 40135803 | HEAD COVER | | | | 1 |
| 20 | CM600100201 | WEEE INFORMATION SHEET | ACCORDING TO MANUFACTURING BASE | | | 1 |
| 21 | 40186378 | SAFETY_INSTRUCTION_MANUAL(EG) | | | | 1 |
| 22 | SS4121415SP | SCREW 3/16-28 L=14 | | | | 2 |

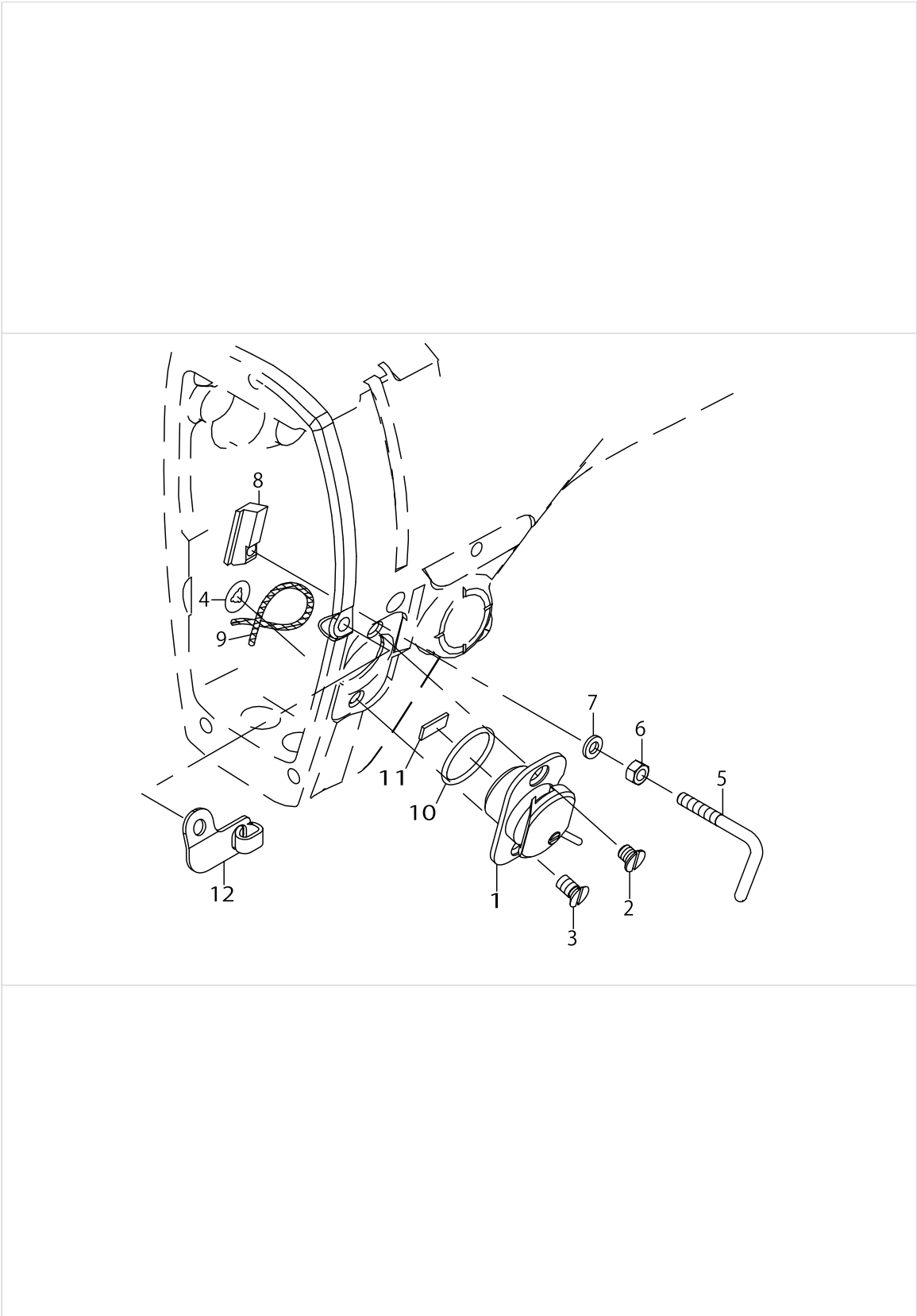
EXCLUSIVE PARTS FOR H



EXCLUSIVE PARTS FOR H

| No. | Parts No. | Parts name | Remarks | Level | Cons | Qty |
|-----|--------------|--------------------------------|---------|-------|------|-----|
| 1 | 22962054 | THREAD TENSION ASM. | | | | 1 |
| 2 | 22962005 | THREAD TENSION SPRING | | * | | 1 |
| 3 | 22963458 | THREAD TENSION ASM | | | | 1 |
| 4 | 22963409 | THREAD TENSION SPRING | | * | | 1 |
| 5 | 40103560 | LINK THREAD TAKE-UP LEVER ASM. | | | | 1 |
| 6 | 22962351 | FEED DRIVE ECCENTRIC CAM ASM. | | | | 1 |
| 7 | B1213552000A | OIL ADJUSTING PIN | | | | 1 |
| 8 | MDB100B2100 | NEEDLE DBX1 #21 | | | | 1 |
| 9 | B1418415H00 | NEEDLE BAR THREAD GUIDE | | | | 1 |
| 10 | 22970313 | NEEDLE BAR BUSHING LOWER | | | | 1 |
| 11 | 22970206 | NEEDLE BAR | | | | 1 |
| 12 | 11091006 | ARM THREAD GUIDE (HA) | | | | 1 |
| 13 | 40101726 | FEED_DIAL | | | | 1 |
| 14 | 40174353 | INNER_HOOK HOLDER_H | | | | 1 |
| 15 | B1505552000A | PRESSER SPRING | | | | 1 |
| 16 | D1524555EBL | PRESSER FOOT ASM. | | | | 1 |
| 17 | 40190609 | ADJUSTING_LINK_SPRING | | | | 1 |
| 18 | 40184565 | FEED_SPRING_HOOK | | | | 1 |
| 19 | 22971204 | FEED REGULATOR BASE PIN | | | | 1 |
| 20 | 40141076 | WIPER_ASSY_H | | | | 1 |
| 21 | 40023223 | NEEDLE BAR THREAD GUIDE | | | | 1 |
| 22 | 11400801 | THROAT PLATE J | | | | 1 |
| 23 | 11403003 | FEED J | | | | 1 |
| 24 | 40115888 | LEVER_STOPPER_ASSY | | | | 1 |
| 25 | 11092251 | HOOK ASM. | | | | 1 |
| 26 | 11403805 | THREAD GUIDE C FITTING PLATE | | | | 1 |
| 27 | WP0371016SD | WASHER 3.7X8X1 | | | | 1 |
| 28 | NS6090310SP | NUT 9/64-40 | | | | 1 |
| 29 | 22972608 | ARM THREAD GUIDE C | | | | 1 |
| 30 | 40010395 | ADJUSTING LINK FULCRUM SHAFT B | | | | 1 |
| 31 | SS6080320SP | SCREW 1/8-44 L= 2.5 | | | | 1 |
| 32 | HX001890000 | SPIRAL TUBE | | | | 1 |

EXCLUSIVE PARTS TYPE NB



EXCLUSIVE PARTS TYPE NB

| No. | Parts No. | Parts name | Remarks | Level | Cons | Qty |
|-----|-------------|------------------------------|---------|-------|------|-----|
| 1 | 40190699 | THREAD_NIPPER_SET | | | | 1 |
| 2 | SS1110640TP | SCREW 11/64-40 L= 5.5 | | | | 1 |
| 3 | SS1110840SP | SCREW 11/64-40 L=8 | | | | 1 |
| 4 | M8002430000 | STOPPER | | | | 1 |
| 5 | 22972608 | ARM THREAD GUIDE C | | | | 1 |
| 6 | NS6090310SP | NUT 9/64-40 | | | | 1 |
| 7 | WP0371026SD | WASHER 3.7X7X1 | | | | 1 |
| 8 | 11403805 | THREAD GUIDE C FITTING PLATE | | | | 1 |
| 9 | CQ202000000 | COTTON OIL WICK D=2 | | | | 0.2 |
| 10 | G1164870000 | SUCTION O RING | | | | 1 |
| 11 | 13403605 | RUBBER_PLATE | | | | 1 |
| 12 | 40187311 | ARM THREAD GUIDE B | | | | 1 |

LIST FOR INFORMATION OF CHANGE

As to the place changed, refer to the corresponding Rev.No.
 When previous parts(Obsoleted part)and new parts(Added parts)are
 not interchangeable with each other:
 In this case,even obsoleted parts(D.)can be ordered with the
 obsoleted part number,so select the parts with changed dates and
 place your orders.

変更箇所は,該当Rev.No.版をご参照ください。
 部品の互換性がない変更の場合は,削除された品番でも,ご注文できます。

No.1701-02・・・Rev.No.

*A:Added parts追加部品/D:Obsoleted parts削除部品/E:Erratum訂正

| * | Rev. No. | Page 頁 | Ref. No. | Parts No. 品 番 | * | Rev. No. | Page 頁 | Ref. No. | Parts No. 品 番 |
|---|-------------|-----------|-------------|------------------|---|-------------|-----------|-------------|------------------|
| | | | | | A | 01 | 12 | 82 | 229-53400 |
| | | | | | A | 01 | 12 | 83 | 401-90682 |
| D | 00 | 26 | 12 | 401-84566 | A | 01 | 26 | 17 | 401-90609 |
| | | | | | A | 01 | 26 | 32 | HX-0018900-00 |
| | | | | | A | 01 | 27 | 12 | 401-87311 |
| | | | | | | | | | |
| | | | | | | | | | |
| | | | | | | | | | |
| | | | | | | | | | |
| | | | | | | | | | |
| | | | | | | | | | |
| | | | | | | | | | |
| | | | | | | | | | |
| | | | | | | | | | |
| | | | | | | | | | |
| | | | | | | | | | |
| | | | | | | | | | |
| | | | | | | | | | |
| | | | | | | | | | |
| | | | | | | | | | |
| | | | | | | | | | |
| | | | | | | | | | |
| | | | | | | | | | |
| | | | | | | | | | |
| | | | | | | | | | |
| | | | | | | | | | |
| | | | | | | | | | |
| | | | | | | | | | |
| | | | | | | | | | |
| | | | | | | | | | |
| | | | | | | | | | |

NUMERICAL INDEX OF PARTS

| PART NO | PAGE | REF NO. | PART NO | PAGE | REF NO. | PART NO | PAGE | REF NO. |
|----------|------|---------|----------|------|---------|----------|------|---------|
| 11002904 | 8 | 3 | 22903900 | 8 | 14 | 22913701 | 18 | 38 |
| 11009800 | 18 | 23 | 22904155 | 20 | 62 | 22913800 | 18 | 15·16 |
| 11015906 | 10 | 37 | 22905004 | 10 | 23 | 22913859 | 18 | 11·12 |
| 11037405 | 18 | 22 | 22905103 | 10 | 25 | 22915003 | 20 | 73 |
| 11038650 | 10 | 34 | 22905202 | 10 | 26 | 22915359 | 20 | 58 |
| 11038759 | 10 | 24 | 22906101 | 10 | 2 | 22916308 | 10 | 27 |
| 11039203 | 28 | 47 | 22906200 | 10 | 8 | 22916506 | 10 | 38 |
| 11079506 | 10 | 40 | 22906309 | 10 | 10 | 22916555 | 10 | 36 |
| 11091006 | 42 | 12 | 22906457 | 10 | 4 | 22917157 | 10 | 29 |
| 11092251 | 42 | 25 | 22906606 | 8 | 8 | 22918064 | 8 | 5 |
| 11217114 | 24 | 13 | 22907307 | 14 | 36 | 22918072 | 8 | 4 |
| 11217213 | 24 | 14 | 22907406 | 14 | 33 | 22918106 | 8 | 7 |
| 11243763 | 14 | 45 | 22907505 | 14 | 32 | 22918304 | 8 | 6 |
| 11244019 | 16 | 50 | 22907554 | 14 | 30 | 22918403 | 8 | 9~12 |
| 11244209 | 16 | 48 | 22907604 | 14 | 31 | 22918502 | 8 | 9~12 |
| 11351806 | 22 | 14 | 22907703 | 14 | 25 | 22918601 | 8 | 9~12 |
| 11400801 | 42 | 22 | 22907802 | 14 | 1 | 22918700 | 8 | 9~12 |
| 11403003 | 42 | 23 | 22908008 | 14 | 42 | 22919203 | 8 | 29 |
| 11403805 | 42 | 26 | 22908156 | 14 | 40 | 22919559 | 8 | 2 |
| 11403805 | 44 | 8 | 22908305 | 14 | 44 | 22920102 | 14 | 29 |
| 11415205 | 2 | 20 | 22908354 | 14 | 39 | 22920201 | 14 | 23 |
| 11433802 | 16 | 52 | 22908552 | 14 | 4 | 22920300 | 14 | 26 |
| 13101407 | 30 | 51 | 22908701 | 14 | 7 | 22920409 | 14 | 24 |
| 13160601 | 40 | 14 | 22908800 | 14 | 14 | 22920508 | 2 | 30 |
| 13170105 | 28 | 32 | 22908909 | 14 | 11 | 22920607 | 4 | 47 |
| 13171004 | 28 | 33 | 22909006 | 14 | 13 | 22920904 | 2 | 43 |
| 13403605 | 44 | 11 | 22910004 | 8 | 18 | 22921001 | 2 | 31 |
| 13887005 | 18 | 17 | 22910053 | 8 | 16 | 22921209 | 2 | 38 |
| 21345905 | 30 | 68 | 22910103 | 8 | 13 | 22921308 | 2 | 33 |
| 22538805 | 8 | 30 | 22910202 | 18 | 15·16 | 22921407 | 2 | 34 |
| 22888507 | 20 | 61 | 22910251 | 18 | 11·12 | 22921506 | 2 | 37 |
| 22890008 | 12 | 50 | 22910459 | 18 | 27 | 22921506 | 6 | 28 |
| 22890206 | 10 | 42~44 | 22910806 | 18 | 28 | 22921605 | 2 | 39 |
| 22890305 | 10 | 42~44 | 22910905 | 18 | 24 | 22921704 | 2 | 35 |
| 22890404 | 10 | 42~44 | 22911002 | 18 | 40 | 22921803 | 2 | 36 |
| 22896252 | 10 | 46 | 22911101 | 18 | 13 | 22923015 | 28 | 14 |
| 22900401 | 2 | 10 | 22911408 | 18 | 1 | 22923056 | 28 | 12 |
| 22900609 | 2 | 28 | 22911507 | 18 | 2 | 22923205 | 28 | 17 |
| 22901003 | 4 | 55 | 22911606 | 18 | 4 | 22923312 | 28 | 13 |
| 22901201 | 4 | 52 | 22911804 | 18 | 7 | 22923403 | 28 | 19 |
| 22901250 | 4 | 51 | 22912000 | 18 | 9 | 22923502 | 28 | 21 |
| 22901300 | 4 | 53 | 22912109 | 18 | 8 | 22923601 | 28 | 20 |
| 22901805 | 2 | 14 | 22912257 | 18 | 19 | 22923700 | 28 | 15 |
| 22903207 | 8 | 25 | 22912505 | 18 | 20 | 22923809 | 28 | 18 |
| 22903306 | 8 | 27 | 22913008 | 20 | 75 | 22923908 | 28 | 22 |

NUMERICAL INDEX OF PARTS

| PART NO | PAGE | REF NO. | PART NO | PAGE | REF NO. | PART NO | PAGE | REF NO. |
|----------|------|---------|----------|------|---------|----------|------|---------|
| 22924153 | 28 | 6 | 22956106 | 26 | 6 | 40011144 | 6 | 15 |
| 22924302 | 28 | 7 | 22956205 | 26 | 7 | 40012126 | 2 | 2 |
| 22924609 | 28 | 28 | 22956304 | 26 | 8 | 40012129 | 2 | 11 |
| 22924708 | 28 | 1 | 22956403 | 26 | 9 | 40017215 | 30 | 50 |
| 22925101 | 28 | 5 | 22956809 | 26 | 11 | 40017805 | 14 | 35 |
| 22926000 | 40 | 9 | 22956908 | 26 | 13 | 40021933 | 6 | 17 |
| 22926208 | 40 | 11 | 22957203 | 26 | 25 | 40022407 | 4 | 68 |
| 22926356 | 40 | 12 | 22958003 | 40 | 10 | 40023223 | 42 | 21 |
| 22926505 | 40 | 13 | 22958052 | 40 | 8 | 40024644 | 28 | 35 |
| 22932107 | 32 | 5 | 22958300 | 2 | 7 | 40028281 | 30 | 53 |
| 22932404 | 32 | 11 | 22958300 | 40 | 7 | 40029963 | 20 | 79 |
| 22932453 | 32 | 10 | 22962005 | 42 | 2 | 40037008 | 6 | 32 |
| 22932800 | 40 | 2 | 22962054 | 42 | 1 | 40037500 | 26 | 29 |
| 22932909 | 10 | 18 | 22962351 | 42 | 6 | 40037502 | 28 | 9 |
| 22932909 | 40 | 4 | 22963409 | 42 | 4 | 40041419 | 26 | 10 |
| 22933105 | 40 | 5 | 22963458 | 42 | 3 | 40042134 | 34 | 42 |
| 22933204 | 40 | 6 | 22970206 | 42 | 11 | 40050314 | 14 | 10 |
| 22934202 | 32 | 25 | 22970313 | 42 | 10 | 40060989 | 14 | 5 |
| 22934251 | 32 | 19 | 22971204 | 42 | 19 | 40077851 | 26 | 26 |
| 22934301 | 32 | 20 | 22972608 | 42 | 29 | 40077852 | 26 | 16 |
| 22934400 | 32 | 24 | 22972608 | 44 | 5 | 40085784 | 38 | 2 |
| 22934509 | 32 | 22 | 23610652 | 16 | 49 | 40085785 | 38 | 3 |
| 22934608 | 32 | 23 | 23610702 | 16 | 51 | 40085786 | 38 | 4 |
| 22934707 | 32 | 12 | 23611106 | 14 | 47 | 40085787 | 38 | 5 |
| 22939508 | 10 | 3-41 | 23620206 | 10 | 12 | 40085788 | 38 | 6 |
| 22939607 | 10 | 3-41 | 23629306 | 24 | 27 | 40085789 | 38 | 7 |
| 22940506 | 18 | 10 | 23629306 | 30 | 56 | 40085790 | 38 | 8 |
| 22940654 | 20 | 55 | 23630007 | 24 | 26 | 40085791 | 38 | 9 |
| 22940753 | 18 | 35 | 23630007 | 28 | 43 | 40085792 | 38 | 10 |
| 22941306 | 18 | 36 | 23632102 | 24 | 6 | 40085793 | 38 | 11 |
| 22945307 | 2 | 40 | 26231902 | 30 | 48 | 40085794 | 38 | 12 |
| 22945356 | 2 | 32 | 26260109 | 6 | 2 | 40085795 | 38 | 13 |
| 22945414 | 2 | 22 | 26260208 | 6 | 3 | 40085796 | 38 | 16 |
| 22945463 | 2 | 21 | 26260307 | 6 | 4 | 40086678 | 26 | 15 |
| 22945505 | 2 | 25 | 26260406 | 6 | 5 | 40086679 | 26 | 28 |
| 22945604 | 2 | 23 | 26260505 | 6 | 6 | 40086740 | 8 | 21 |
| 22945703 | 2 | 26 | 26260604 | 6 | 7 | 40089548 | 18 | 25 |
| 22945703 | 6 | 30 | 26260802 | 6 | 8 | 40090002 | 10 | 14 |
| 22945802 | 2 | 24 | 26261008 | 6 | 9 | 40090003 | 10 | 16 |
| 22947105 | 28 | 26 | 26261206 | 6 | 10 | 40090004 | 10 | 19 |
| 22952501 | 2 | 18 | 26261305 | 6 | 11 | 40090005 | 10 | 21 |
| 22953400 | 20 | 82 | 26261503 | 6 | 12 | 40090058 | 10 | 6 |
| 22955504 | 26 | 12 | 26261602 | 6 | 13 | 40093417 | 18 | 26 |
| 22955900 | 26 | 4 | 26261701 | 6 | 14 | 40096325 | 38 | 14 |
| 22956007 | 26 | 5 | 40010395 | 42 | 30 | 40096326 | 38 | 17 |

NUMERICAL INDEX OF PARTS

| PART NO | PAGE | REF NO. | PART NO | PAGE | REF NO. | PART NO | PAGE | REF NO. |
|----------|------|---------|----------|------|---------|----------|------|---------|
| 40096327 | 38 | 19 | 40127190 | 22 | 40 | 40145553 | 34 | 4·25 |
| 40096354 | 38 | 1 | 40127192 | 10 | 31 | 40145554 | 34 | 6·23 |
| 40098388 | 14 | 34 | 40132099 | 4 | 63 | 40145555 | 34 | 10·24 |
| 40099083 | 4 | 58 | 40133950 | 20 | 80 | 40145556 | 34 | 14·27 |
| 40101541 | 32 | 9 | 40135803 | 40 | 19 | 40145557 | 34 | 11·28 |
| 40101726 | 42 | 13 | 40136258 | 4 | 67 | 40145558 | 34 | 12·29 |
| 40102097 | 2 | 1 | 40136258 | 30 | 66 | 40145921 | 34 | 20·30 |
| 40102261 | 2 | 13 | 40137504 | 8 | 23 | 40145944 | 34 | 31 |
| 40103560 | 42 | 5 | 40137504 | 20 | 49 | 40148382 | 24 | 1 |
| 40109422 | 18 | 45 | 40139771 | 24 | 2 | 40149069 | 24 | 5 |
| 40110376 | 8 | 45 | 40140080 | 4 | 66 | 40149316 | 34 | 3·26 |
| 40110379 | 18 | 43 | 40140191 | 24 | 3 | 40156677 | 2 | 4 |
| 40110390 | 8 | 40 | 40140306 | 24 | 4 | 40156681 | 8 | 46 |
| 40110731 | 6 | 25 | 40140419 | 8 | 37 | 40156684 | 18 | 39 |
| 40110734 | 6 | 26 | 40140991 | 26 | 14 | 40156704 | 34 | 1·2 |
| 40110975 | 6 | 16 | 40140992 | 26 | 1 | 40156706 | 34 | 15·22 |
| 40110976 | 6 | 1 | 40140994 | 26 | 2 | 40156707 | 34 | 15·22 |
| 40110977 | 8 | 15 | 40141076 | 42 | 20 | 40156725 | 32 | 4 |
| 40110978 | 8 | 20 | 40141199 | 34 | 21 | 40156726 | 32 | 8 |
| 40110979 | 8 | 28 | 40141200 | 34 | 3·26 | 40156758 | 20 | 64 |
| 40110999 | 26 | 3 | 40141201 | 34 | 4·25 | 40157011 | 34 | 32 |
| 40111025 | 8 | 36 | 40141203 | 34 | 5 | 40158189 | 20 | 71 |
| 40111424 | 8 | 32 | 40141204 | 34 | 6·23 | 40162044 | 30 | 57 |
| 40111872 | 8 | 34 | 40141205 | 34 | 7 | 40162159 | 34 | 39 |
| 40111897 | 20 | 52 | 40141206 | 34 | 8 | 40162859 | 20 | 51 |
| 40112907 | 22 | 38 | 40141207 | 34 | 9 | 40163109 | 34 | 1·2 |
| 40113241 | 6 | 34 | 40141208 | 34 | 10·24 | 40163521 | 6 | 33 |
| 40115888 | 42 | 24 | 40141209 | 34 | 11·28 | 40174351 | 10 | 32 |
| 40119475 | 6 | 24 | 40141210 | 34 | 12·29 | 40174353 | 42 | 14 |
| 40125485 | 18 | 31 | 40141211 | 34 | 13 | 40182291 | 4 | 65 |
| 40126308 | 4 | 60 | 40141212 | 34 | 14·27 | 40183785 | 34 | 35 |
| 40126849 | 12 | 49 | 40141213 | 34 | 20·30 | 40184531 | 20 | 68 |
| 40127152 | 22 | 1 | 40141214 | 34 | 17 | 40184532 | 20 | 72 |
| 40127153 | 22 | 2 | 40141215 | 34 | 18 | 40184533 | 20 | 60 |
| 40127154 | 22 | 4 | 40141216 | 34 | 19 | 40184535 | 20 | 69 |
| 40127155 | 22 | 6 | 40141217 | 34 | 16 | 40184537 | 20 | 76 |
| 40127157 | 22 | 10 | 40141219 | 34 | 41 | 40184538 | 10 | 35 |
| 40127160 | 22 | 13 | 40141220 | 34 | 40 | 40184540 | 10 | 13 |
| 40127163 | 22 | 19 | 40141223 | 36 | 43 | 40184541 | 14 | 28 |
| 40127164 | 22 | 21 | 40141224 | 36 | 44 | 40184543 | 28 | 3 |
| 40127167 | 22 | 24 | 40141225 | 34 | 36~38 | 40184544 | 28 | 29 |
| 40127168 | 22 | 26 | 40141226 | 34 | 36~38 | 40184545 | 28 | 30 |
| 40127180 | 22 | 28 | 40141227 | 34 | 36~38 | 40184546 | 28 | 46 |
| 40127182 | 22 | 30 | 40141523 | 10 | 7 | 40184547 | 28 | 41 |
| 40127183 | 22 | 31 | 40145540 | 34 | 33 | 40184550 | 30 | 58 |

NUMERICAL INDEX OF PARTS

| PART NO | PAGE | REF NO. | PART NO | PAGE | REF NO. | PART NO | PAGE | REF NO. |
|--------------|------|---------|-------------|------|---------|-------------|------|---------|
| 40184552 | 30 | 59 | BT1000651EB | 16 | 53 | RE0400000K0 | 28 | 38 |
| 40184554 | 22 | 9 | CM300200001 | 2 | 61 | RE0500000K0 | 14 | 43 |
| 40184555 | 22 | 15 | CM300200001 | 4 | 61 | RE0500000K0 | 18 | 21 |
| 40184556 | 22 | 18 | CM300200001 | 34 | 34 | RE0500000K0 | 26 | 20 |
| 40184558 | 22 | 39 | CM600100201 | 40 | 20 | RE0600000K0 | 22 | 33 |
| 40184559 | 24 | 17 | CQ202000000 | 14 | 27 | RE1000000K0 | 32 | 13 |
| 40184560 | 24 | 16 | CQ202000000 | 44 | 9 | RO029180100 | 8 | 35 |
| 40184562 | 24 | 11 | CQ220000000 | 10 | 28 | RO036080200 | 12 | 48 |
| 40184563 | 32 | 1 | D1524555EBL | 42 | 16 | RO037180100 | 14 | 3 |
| 40184564 | 32 | 2 | D3164555B00 | 14 | 15 | RO037180100 | 28 | 10 |
| 40184565 | 42 | 18 | D7133555B00 | 6 | 29 | RO044240100 | 8 | 43 |
| 40184575 | 28 | 11 | EA9500B0100 | 28 | 40 | RO078190100 | 22 | 23 |
| 40184578 | 40 | 1 | G1164870000 | 44 | 10 | RO092270200 | 20 | 74 |
| 40186203 | 22 | 34 | GAK30005000 | 28 | 37 | RO098240100 | 32 | 18 |
| 40186209 | 20 | 67 | HK034610140 | 22 | 37 | RO133170100 | 20 | 81 |
| 40186378 | 40 | 21 | HK034610140 | 24 | 9 | RO195240100 | 28 | 2 |
| 40186644 | 20 | 48 | HK03464000B | 24 | 8 | RO555200200 | 24 | 21 |
| 40186696 | 14 | 18 | HX00065000A | 16 | 54 | SD0600291TP | 22 | 16 |
| 40186847 | 24 | 29 | HX00065000A | 24 | 19 | SD0650321TP | 26 | 21 |
| 40187304 | 24 | 18 | HX001890000 | 42 | 32 | SD0720331SP | 14 | 12 |
| 40187306 | 22 | 29 | HX00669000A | 32 | 16 | SD0850751SP | 22 | 36 |
| 40187307 | 24 | 22 | M8002430000 | 44 | 4 | SD1000801SH | 20 | 47 |
| 40187308 | 14 | 20 | MC200500902 | 40 | 17·18 | SE4301041SR | 28 | 16 |
| 40187311 | 44 | 12 | MDB100B1400 | 10 | 11 | SL4030641SE | 26 | 22 |
| 40187485 | 30 | 62 | MDB100B1402 | 40 | 17·18 | SL4030691SC | 26 | 23 |
| 40187727 | 40 | 15 | MDB100B2100 | 42 | 8 | SL4030851SF | 28 | 23 |
| 40187734 | 22 | 22 | MML007600CA | 40 | 16 | SL4052091SC | 24 | 23 |
| 40187736 | 30 | 65 | NM6050001SE | 38 | 24 | SL6051492TN | 8 | 39 |
| 40188851 | 4 | 57 | NM6060001SE | 32 | 15 | SL6052592TN | 8 | 38 |
| 40190609 | 42 | 17 | NM6060003SC | 32 | 7 | SM0050801SC | 6 | 35 |
| 40190682 | 20 | 83 | NS6090310SP | 26 | 17 | SM4040655SP | 28 | 52 |
| 40190699 | 44 | 1 | NS6090310SP | 42 | 28 | SM4040655SP | 30 | 52 |
| B1109552000 | 2 | 44 | NS6090310SP | 44 | 6 | SM4050655SP | 30 | 67 |
| B1116210D00 | 32 | 3 | NS6110310SP | 26 | 18 | SM4050855SP | 14 | 17 |
| B1213552000A | 42 | 7 | NS6110350SP | 22 | 17 | SM4050855SP | 30 | 63 |
| B1215552000 | 8 | 26 | NS6120630SP | 6 | 27 | SM4051405SE | 38 | 23 |
| B1418415H00 | 42 | 9 | NS6620310SP | 14 | 21 | SM5040655SN | 6 | 20 |
| B1505552000A | 42 | 15 | NS6680410SP | 18 | 42 | SM6051002TP | 24 | 20 |
| B1521555000 | 14 | 2 | RC0150001KP | 18 | 54 | SM6051402TP | 28 | 45 |
| B15240120BA | 14 | 9 | RC0150001KP | 20 | 54 | SM6051602TP | 24 | 15 |
| B1613012I00 | 18 | 33 | RC0260415K0 | 24 | 12 | SM8040802TP | 6 | 21 |
| B3510205000 | 24 | 28 | RC0560711KP | 6 | 18 | SM8050502TP | 6 | 22 |
| B8216271000 | 40 | 3 | RC1850001KP | 8 | 22 | SM80608A2TP | 8 | 33 |
| B8228125000 | 28 | 34 | RE0250000K0 | 26 | 19 | SM8061612TP | 32 | 6 |
| B9117552A00 | 10 | 45 | RE0400000K0 | 6 | 19 | SM9061203SE | 32 | 21 |

NUMERICAL INDEX OF PARTS

| PART NO | PAGE | REF NO. | PART NO | PAGE | REF NO. | PART NO | PAGE | REF NO. |
|-------------|------|---------|-------------|------|---------|-------------|------|---------|
| SM9061853SR | 32 | 14 | SS6121840SP | 2 | 17 | WP0482086SD | 14 | 46 |
| SQ2050453MZ | 24 | 25 | SS6121860SP | 18 | 5 | WP0482086SD | 26 | 31 |
| SQ2050453MZ | 28 | 49 | SS6151220SP | 18 | 29 | WP0501016SD | 28 | 54 |
| SQ2050453MZ | 30 | 49 | SS6661110SP | 8 | 17 | WP0501016SD | 30 | 54 |
| SS1090520TP | 22 | 5 | SS6700710SH | 32 | 17 | WP0531001SC | 38 | 22 |
| SS1110640TP | 44 | 2 | SS7080510TP | 10 | 9 | WP0611626SP | 20 | 70 |
| SS1110840SP | 44 | 3 | SS7090610SP | 22 | 8 | WP0621016SD | 28 | 39 |
| SS2110915SP | 2 | 46 | SS7091110TP | 14 | 6 | WP0820816SD | 22 | 32 |
| SS2110920TP | 2 | 45 | SS7110720SP | 4 | 59 | WP1612616SE | 38 | 15 |
| SS4080620TP | 18 | 34 | SS7110740TP | 20 | 53 | WS0451040KP | 28 | 8 |
| SS4090615SP | 8 | 19 | SS7110740TP | 24 | 7 | WS0510002KN | 38 | 21 |
| SS4110515SP | 14 | 16 | SS7111120SP | 20 | 59 | WS0651310KP | 28 | 27 |
| SS4110515SP | 18 | 37 | SS7120770SH | 18 | 6 | WT0530002KS | 4 | 56 |
| SS4110615SP | 26 | 27 | SS7121410TP | 20 | 56 | | | |
| SS4110615SP | 30 | 55 | SS7121610SP | 18 | 46 | | | |
| SS4111415SP | 22 | 12 | SS7620750SP | 20 | 77 | | | |
| SS4120615SP | 2 | 62 | SS7681650TP | 8 | 44 | | | |
| SS4120615SP | 4 | 62 | SS8090670SP | 2 | 41 | | | |
| SS4120615SP | 14 | 19 | SS8110422TP | 22 | 25 | | | |
| SS4120615SP | 24 | 10 | SS8150710TP | 2 | 42 | | | |
| SS4120615SP | 28 | 60 | SS8151150TP | 8 | 1 | | | |
| SS4120615SP | 30 | 60 | SS8660610TP | 8 | 42 | | | |
| SS4120925SP | 2 | 50 | SS8660610TP | 20 | 63 | | | |
| SS4120925SP | 4 | 50 | SS8660612TP | 22 | 27 | | | |
| SS4120925SP | 10 | 39 | SS8660810TP | 10 | 22 | | | |
| SS4120925SP | 26 | 30 | SS8660810TP | 14 | 37 | | | |
| SS4121415SP | 22 | 20 | SS8661012TP | 22 | 3 | | | |
| SS4121415SP | 40 | 22 | SS8681650TP | 8 | 41 | | | |
| SS4150915SP | 28 | 24 | TA0400301M0 | 24 | 24 | | | |
| SS4151215SP | 4 | 64 | TA0850604R0 | 2 | 5 | | | |
| SS4151215SP | 22 | 35 | TA0850604R0 | 10 | 1 | | | |
| SS6060210SP | 4 | 54 | TA0950806R0 | 20 | 65 | | | |
| SS6080320SP | 42 | 31 | TA0971101R0 | 30 | 61 | | | |
| SS6080410SP | 2 | 3 | TA1250406R0 | 4 | 49 | | | |
| SS6090540SP | 26 | 24 | TA1250705R0 | 2 | 6 | | | |
| SS6090620TP | 18 | 41 | TA2000502R0 | 2 | 16 | | | |
| SS6090670TP | 10 | 5 | TA2100904R0 | 2 | 9 | | | |
| SS6090670TP | 18 | 3 | TA2101002R0 | 2 | 19 | | | |
| SS6090910SP | 14 | 38 | TA2351004R0 | 20 | 78 | | | |
| SS6110420TP | 10 | 30 | WP0371016SD | 22 | 7 | | | |
| SS6110610TP | 4 | 48 | WP0371016SD | 42 | 27 | | | |
| SS6111010TP | 28 | 25 | WP0371026SD | 44 | 7 | | | |
| SS6111210SP | 10 | 33 | WP0450826SC | 6 | 23 | | | |
| SS6111210SP | 30 | 64 | WP0450826SC | 22 | 11 | | | |
| SS6121610SP | 18 | 44 | WP0480856SP | 20 | 57 | | | |